



We strive to ensure that our products are of the highest quality and free of manufacturing defects or missing parts. However, if you have any problems with your new product,

DO NOT RETURN IT TO THE STORE,

please contact us toll free @:

1-888-996-2729

FAX: 1-866-873-3531

gameroom@escaladesports.com

Or write to:

Escalade Sports

Customer Service Department

P.O. Box 889

Evansville IN 47706

Please visit our Web site at:

www.escaladesports.com

Please have your model number when inquiring about parts.

When contacting Escalade Sports please provide your model number, date code (if applicable) and part number if requesting a replacement part. These numbers are located on the product, packaging, and this owners manual.

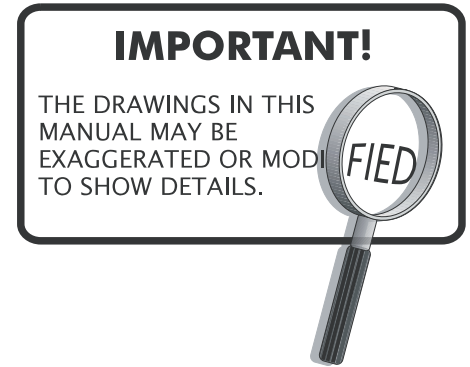
Your Model Number AL3005W/F

Date Code 2 - AL3005W- - SY

Purchase Date _____

PLEASE RETAIN THIS INSTRUCTION MANUAL FOR FUTURE REFERENCE

**IMPORTANT! READ EACH STEP
IN THIS MANUAL BEFORE YOU
BEGIN THE ASSEMBLY.**



TWO ADULTS ARE REQUIRED TO ASSEMBLE THIS 84" KIRKWOOD BILLIARD TABLE

Tools Required:

- Socket Head Wrench (Included)
- Furniture Polish and Cloth

An electric screwdriver is helpful in assembly. However, please set at low torque and use extreme caution with an electric screwdriver because you could overtighten the hardware and strip the screws.

Assembly Tips

Make sure you understand the following tips before you begin to assemble your billiard table.

1. Start all bolts by hand before tightening.
2. Some drawings or images in this manual may not look exactly like your product. Please read and understand the text before starting each assembly step.



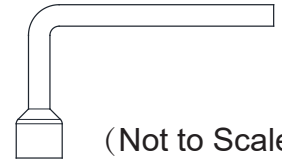
ATTENTION:

**READ AND FOLLOW ALL ASSEMBLY, OPERATION, AND
SAFETY INSTRUCTIONS CAREFULLY. AT LEAST TWO
ADULTS ARE NEEDED TO ASSEMBLE THIS TABLE.**

HARDWARE IDENTIFIER (To Scale)



H1 - 8mm x 130mm Hex Head Bolt
(8 pcs)

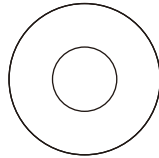


(Not to Scale)

T1 - Socket Head Wrench
(1 pc)



H2 - 8mm x 40mm Hex Head Bolt
(20 pcs)

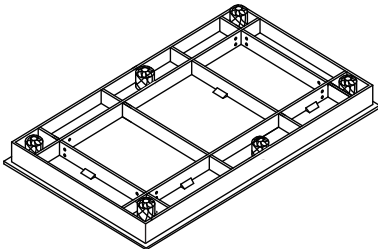


H3 - M8 Flat Washer
(28 pcs)

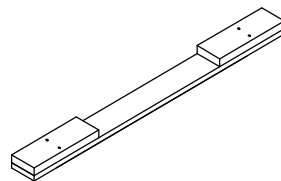


H4 - M8 Lock Washer
(28 pcs)

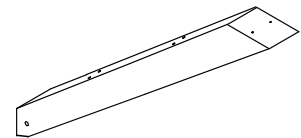
PARTS IDENTIFIER (Not to Scale)



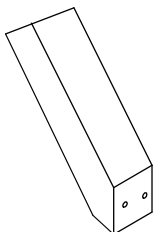
P1 - Main Cabinet
(1 pc)



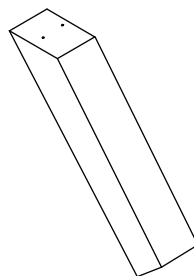
P2 - Leg Base
(2 pcs)



P3 - Middle Leg
(2 pcs)

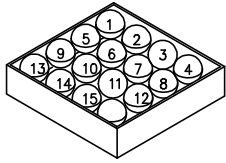


P4 - Upper Leg
(2 pcs)

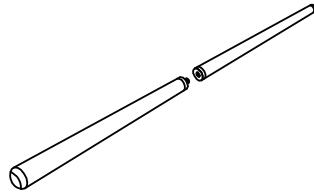


P5 - Bottom Leg
(2 pcs)

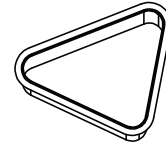
ACCESSORIES IDENTIFIER (Not to Scale)



A1 - Billiard Ball Set
(1 pc)



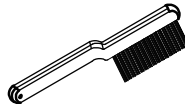
A2 -Pool Cue
(2 pcs)



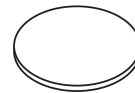
A3 - Triangle
(1 pc)



A4 - Cue Chalk
(2 pcs)



A5 - Playfield Brush
(1 pc)



A6 - Table Leveling Shim
(4 pcs)

Assembly Note:

In the following Steps 1 , 2 , & 3 , please exercise patience when starting all H1 & H2 bolts . Be sure to align bolts straight with their respective holes . Be careful not to cross thread .

Do not push on the bolts while trying to get the bolts to start as you could accidently push the inner T-Nut out of it fixed position .

PARTS REQUIRED

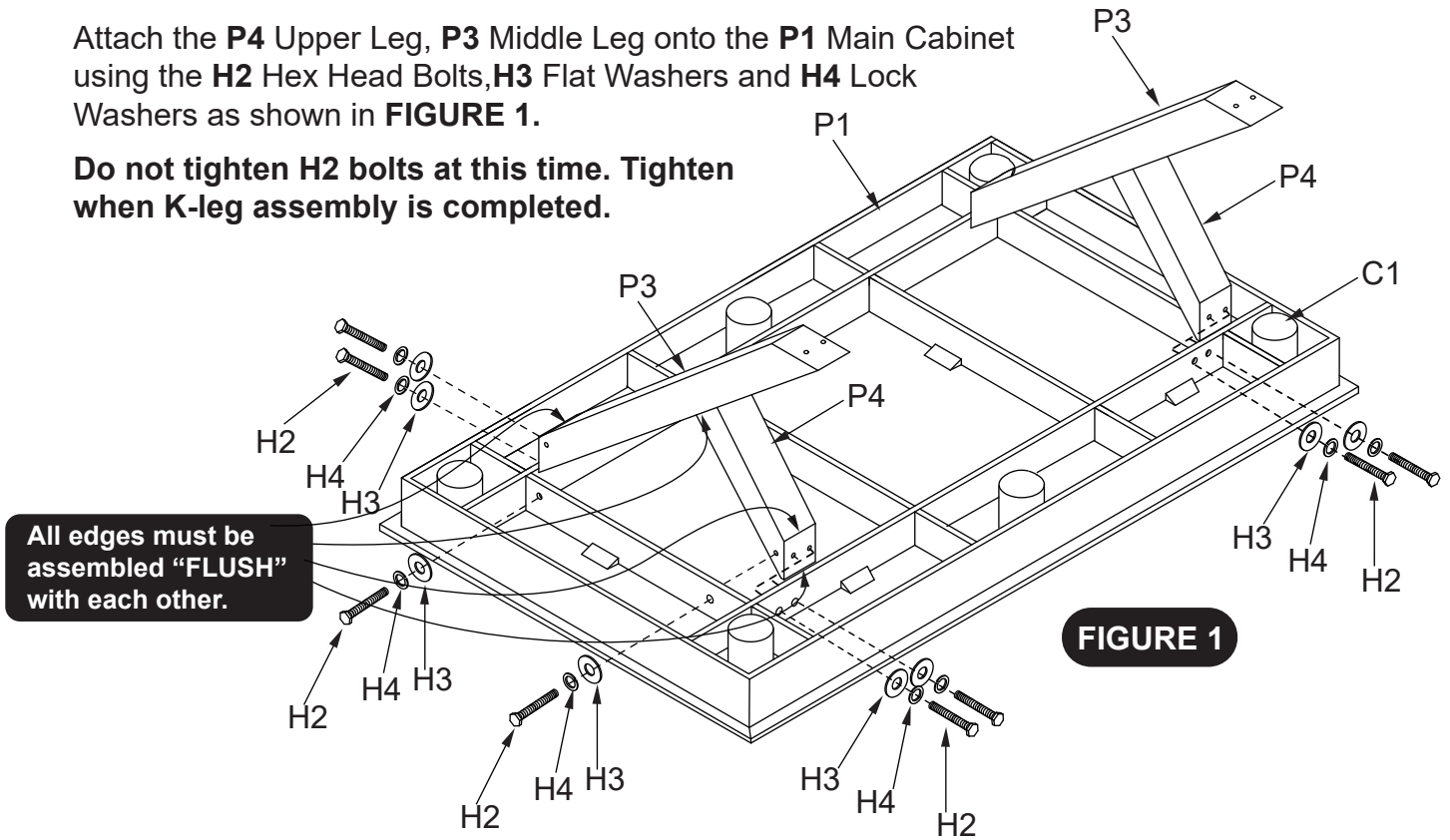
1pc - **P1** Main Cabinet
 2pcs - **P3** Middle Leg
 2pcs - **P4** Upper Leg

12pcs - **H2** Hex Head Bolt
 12pcs - **H3** Flat Washer
 12pcs - **H4** Lock Washer

STEP 1

Attach the **P4** Upper Leg, **P3** Middle Leg onto the **P1** Main Cabinet using the **H2** Hex Head Bolts, **H3** Flat Washers and **H4** Lock Washers as shown in **FIGURE 1**.

Do not tighten H2 bolts at this time. Tighten when K-leg assembly is completed.



PARTS REQUIRED

2pcs - **P5** Bottom Leg
 8pcs - **H1** Hex Head Bolt

8pcs - **H3** Flat Washer
 8pcs - **H4** Lock Washer

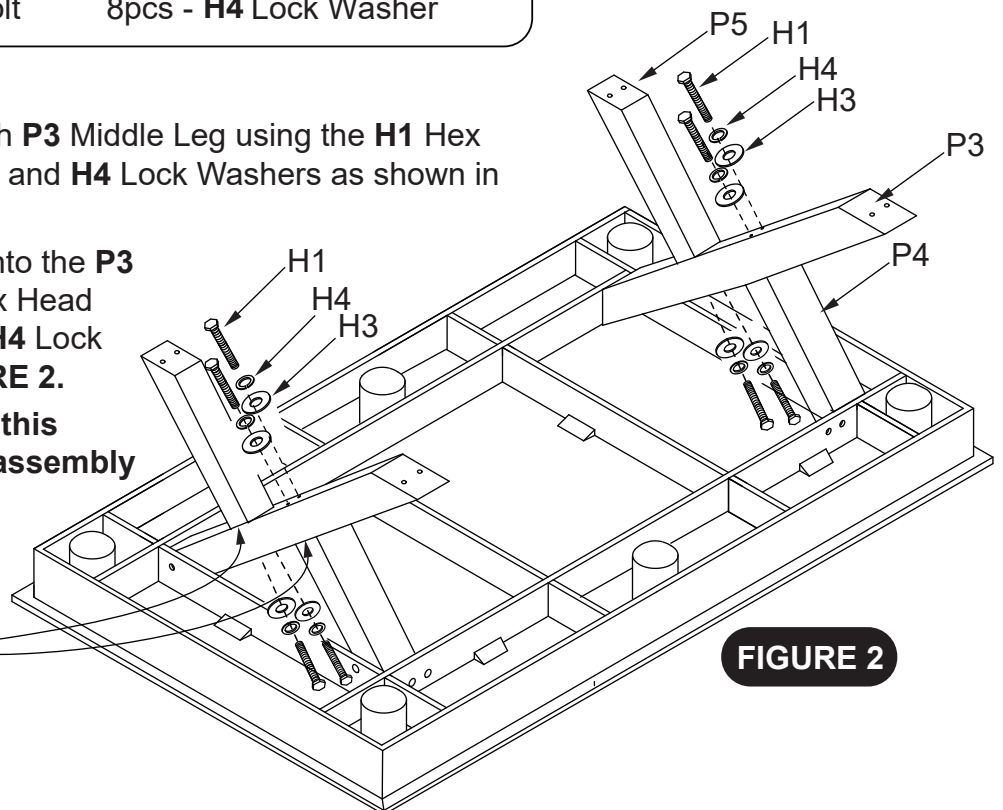
STEP 2

Attach the **P4** Upper Leg with **P3** Middle Leg using the **H1** Hex Head Bolts, **H3** Flat Washers and **H4** Lock Washers as shown in **FIGURE 2**.

Attach the **P5** Bottom Leg onto the **P3** Middle Leg using the **H1** Hex Head Bolts, **H3** Flat Washers and **H4** Lock Washers as shown in **FIGURE 2**.

Do not tighten H3 bolts at this time. Tighten when K-leg assembly is completed.

All edges must be assembled "FLUSH" with each other.



PARTS REQUIRED

2pcs - P2 Leg Base
8pcs - H2 Hex Head Bolt

8pcs - H3 Flat Washer
8pcs - H4 Lock Washer

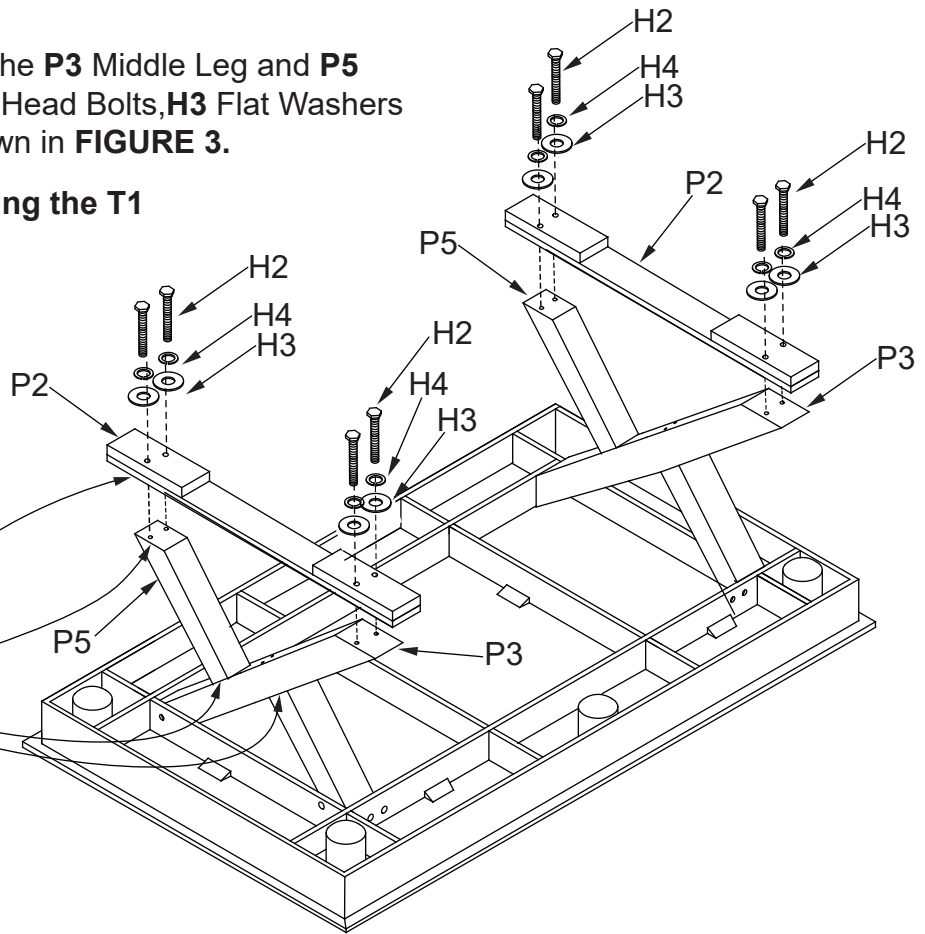
STEP 3

Attach the **P2** Leg Base onto the **P3** Middle Leg and **P5** Bottom Leg using the **H2** Hex Head Bolts, **H3** Flat Washers and **H4** Lock Washers as shown in **FIGURE 3**.

Tighten all leg bolts now using the **T1** Socket Head Wrench-tight.

FIGURE 3

All edges must be assembled "FLUSH" with each other.

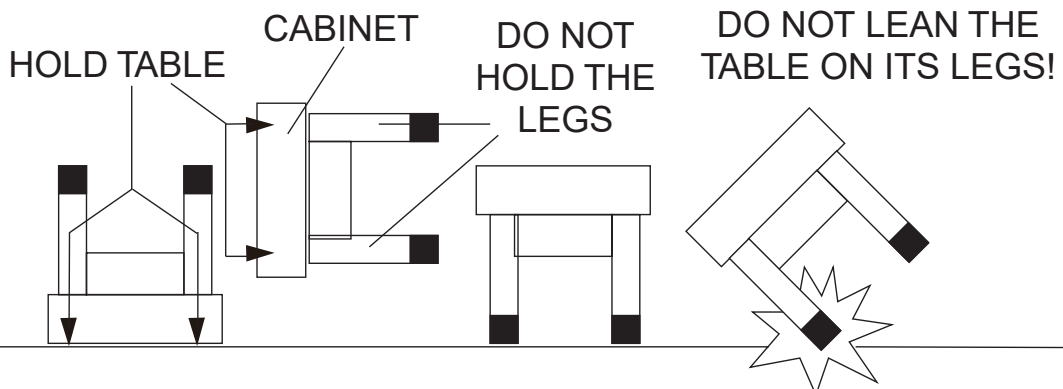


WARNING:

THIS STEP REQUIRES FOUR OR MORE ADULTS.

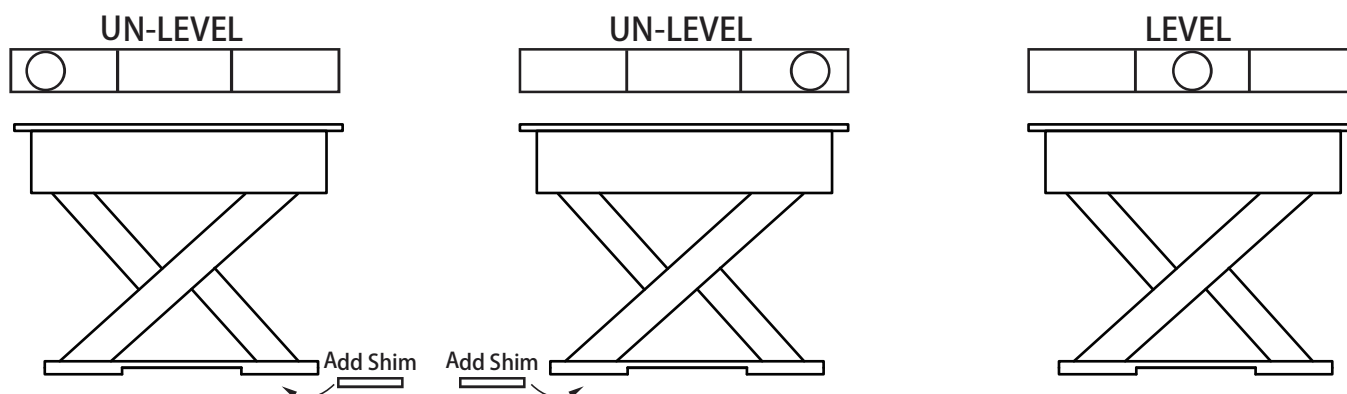
WHILE FLIPPING THE TABLE OVER, DO NOT ALLOW TABLE TO REST ON THE SIDE OF LEGS AS THIS COULD DAMAGE THEM.

VERY CAREFULLY TURN THE TABLE OVER AND SET IT ON ITS LEGS. BE CAREFUL. THE TABLE IS VERY HEAVY.



INSTRUCTIONS FOR LEVELING A POOL TABLE

- Assemble pool table according to the instruction.
- Any type of level would be sufficient to perform this procedure. However, a two-foot level is recommended.
- Before leveling, make sure level is placed on the playing surface, not the rails.
- Level the ends between the corner pockets: Place the level on the playing surface between the two corner pockets and adjust the height by placing shims (A6) underneath the leg opposite of which the bubble in the level favors until the bubble rests in the middle of the level.



- Repeat the step above to the opposite corner pockets.
- Next, level the length of the table. Place the level next to the side pocket and adjust the height to position the bubble in the middle of the level, using the shims beneath the leg opposite of which the bubble in the level favors.
- Repeat the step above to the opposite length of the table.
- Recheck both short ends to ensure bubble is in the middle on the level.
- Depending on the surface the pool table sits, especially deep pile carpeting, the pool table needs to settle for 24 hours. Recheck the level on each side of the table after 24 hours.

Congratulations! You have now assembled your table. Please note the Care and Use instructions below to insure many years of trouble free use of your game table.

CARE AND USE OF YOUR TABLE

1. Use spray furniture polish to clean all exterior surfaces of your table.
2. Use the table brush provided to clean the cloth on the table.
3. This product is intended for **INDOOR** use only.
4. **DO NOT** sit, climb or lean on the table.
5. **DO NOT** drag the table when moving it. This will damage the legs.
6. **DO NOT** set drinks on the table.
7. The purchase of a table cover will both protect and help keep clean the entire top of the table.
8. Use a carpenters level to properly level the table using the enclosed A6 leveling shims.

PRODUCT PARTS LIST FOR MODEL # AL3005W/F

Key #	Part #	Description	Qty.
H1	AL3005STXH1	8mm x 150mm Hex Head Bolt	8
H2	AL3005STXH2	8 mm x 40 mm Hex Head Bolt	20
H3	AL3005STXH3	M8 Flat Washer	28
H4	AL3005STXH4	M8 Lock Washer	28
T1	AL3005STXT1	Socket Head Wrench	1
P1	AL3005STXP1	Main Cabinet	1
P2	AL3005STXP2	Leg Base	2
P3	AL3005STXP3	Middle Leg	2
P4	AL3005STXP4	Upper Leg	2
P5	AL3005STXP5	Bottom Leg	2
A1	AL3005STXA1	Billiard Ball Set	1
A2	AL3005STXA2	Pool Cue	2
A3	AL3005STXA3	Triangle	1
A4	AL3005STXA4	Cue Chalk	2
A5	AL3005STXA5	Playfield Brush	1
A6	AL3005STXA6	Table Leveling Shim	4
C1	AL3005STXC1	Pocket(pre-installed)	6
C2	AL3005STXC3	Metal Corner Cap(pre-installed)	4
K1	AL3005STXK1	Hardware Kit	1
M1	AL3005STXM1	Owner's Manual	1

90 DAY LIMITED WARRANTY

This customer warranty extends to the original owner, on the purchase of any ESCALADE SPORTS Product (hereinafter referred as the "Product").

WARRANTY DURATION: This Product is warranted to the original owner, for a period of 90 days from the original purchase.

WARRANTY COVERAGE: ESCALADE SPORTS warrants to the original owner, this product to be free from defects in material and workmanship when used for the intended purpose under normal use and conditions. THIS WARRANTY IS VOID IF THE PRODUCT HAS BEEN DAMAGED BY ACCIDENT, UNREASONABLE USE, NEGLIGENCE, IMPROPER SERVICE, FAILURE TO FOLLOW INSTRUCTIONS PROVIDED WITH THE PRODUCT OR OTHER CAUSES NOT ARISING OUT OF DEFECTS IN MATERIAL AND WORKMANSHIP.

WARRANTY REPLACEMENT: During the above 90 day warranty period, ESCALADE SPORTS shall provide replacement components or replace with a comparable product at our choosing. If product is defective under normal use and proper care, please contact our Customer Service Dept.

1-888-996-2729 / Customer Service Dept.

Or Write us at:

Escalade® Sports, Inc. - P.O. Box 889, Evansville, IN 47706

Attn: Customer Service Dept.

Or E-mail us at:

customerservice@escaladesports.com

Other than shipping requirements no charge will be made for such replacement of in-warranty Products.

WARRANTY DISCLAIMERS: ANY IMPLIED WARRANTIES ARISING OUT OF THIS SALE, INCLUDING BUT NOT LIMITED TO THE IMPLIED WARRANTIES OF MERCHANTABILITY AND FITNESS FOR A PARTICULAR PURPOSE, ARE LIMITED IN DURATION TO THE ABOVE 90 DAY PERIOD. ESCALADE SPORTS SHALL NOT BE LIABLE FOR LOSS OF USE OF THE PRODUCT OR OTHER CONSEQUENTIAL OR INCIDENTAL COSTS, EXPENSES OR DAMAGES INCURRED BY THE CONSUMER OF ANY OTHER USE.

Some states do not allow the exclusion or limitation of implied warranties or consequential or incidental damages, so the above limitations or exclusions may not apply to you.

LEGAL REMEDIES: This warranty gives you specific legal rights and you may also have other rights which may vary from state to state.