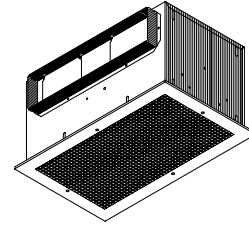


LOSONE SELECT® VENTILATORS Ceiling/Wall Mount



READ AND SAVE THESE INSTRUCTIONS

WARNING

TO REDUCE THE RISK OF FIRE, ELECTRIC SHOCK, OR INJURY TO PERSONS, OBSERVE THE FOLLOWING:

1. Use this unit only in the manner intended by the manufacturer. If you have questions, contact the manufacturer at the address or telephone number listed in the warranty.
2. Before servicing or cleaning unit, switch power off at service panel and lock the service disconnecting means to prevent power from being switched on accidentally. When the service disconnecting means cannot be locked, securely fasten a prominent warning device, such as a tag, to the service panel.
3. Installation work and electrical wiring must be done by a qualified person(s) in accordance with all applicable codes and standards, including fire-rated construction codes and standards.
4. Sufficient air is needed for proper combustion and exhausting of gases through the flue (chimney) of fuel burning equipment to prevent backdrafting. Follow the heating equipment manufacturer's guideline and safety standards such as those published by the National Fire Protection Association (NFPA), and the American Society for Heating, Refrigeration and Air Conditioning Engineers (ASHRAE), and the local code authorities.
5. When cutting or drilling into wall or ceiling, do not damage electrical wiring and other hidden utilities.
6. Ducted fans must always be vented to the outdoors.
7. To reduce the risk of fire, use only metal ductwork.
8. If this unit is to be installed over a tub or shower, it must be marked as appropriate for the application and be connected to a GFCI (Ground Fault Interrupter) - protected branch circuit.
9. Never place a switch where it can be reached from a tub or shower.
10. This unit must be grounded.

CAUTION

1. For general ventilating use only. Do not use to exhaust hazardous or explosive materials and vapors.
2. To avoid motor bearing damage and noisy and/or unbalanced impellers, keep drywall spray, construction dust, etc. off power unit.
3. Please read specification label on product for further information and requirements.

Limited Warranty

Warranty Period and Exclusions: Broan-NuTone LLC (the "Company") warrants to the original consumer purchaser of its product ("you") that the product (the "Product") will be free from material defects in the Product or its workmanship for a period of one (1) year from the date of original purchase.

The limited warranty period for any replacement parts provided by the Company and for any Products repaired or replaced under this limited warranty shall be the remainder of the original warranty period.

This warranty does not cover speed controls, fluorescent lamp starters, tubes, halogen and incandescent bulbs, fuses, filters, ducts, roof caps, wall caps and other accessories for ducting that may be purchased separately and installed with the Product. This warranty also does not cover (a) normal maintenance and service, (b) normal wear and tear, (c) any Products or parts which have been subject to misuse, abuse, abnormal usage, negligence, accident, improper or insufficient maintenance, storage or repair (other than repair by the Company), (d) damage caused by faulty installation, or installation or use contrary to recommendations or instructions, (e) any Product that has been moved from its original point of installation, (f) damage caused by environmental or natural elements, (g) damage in transit, (h) natural wear of finish, (i) Products in commercial or nonresidential use, or (j) damage caused by fire, flood or other act of God. This warranty covers only Products sold to original consumers in the United States by the Company or U.S. distributors authorized by the Company.

This warranty supersedes all prior warranties and is not transferable from the original consumer purchaser.

No Other Warranties: This Limited Warranty contains the Company's sole obligation and your sole remedy for defective products. The foregoing warranties are exclusive and in lieu of any other warranties, express or implied. THE COMPANY DISCLAIMS AND EXCLUDES ALL OTHER EXPRESS WARRANTIES, AND DISCLAIMS AND EXCLUDES ALL WARRANTIES IMPLIED BY LAW, INCLUDING WITHOUT LIMITATION THOSE OF MERCHANTABILITY AND FITNESS FOR A PARTICULAR PURPOSE. To the extent that applicable law prohibits the exclusion of implied warranties, the duration of any applicable implied warranty is limited to the period specified for the express warranty above. Some states do not allow limitations on how long an implied warranty lasts, so the above limitation may not apply to you. Any oral or written description of the Product is for the sole purpose of identifying it and shall not be construed as an express warranty.

Whenever possible, each provision of this Limited Warranty shall be interpreted in such manner as to be effective and valid under applicable law, but if any provision is held to be prohibited or invalid, such provision shall be ineffective only to the extent of such prohibition or invalidity, without invalidating the remainder of such provision or the other remaining provisions of the Limited Warranty.

Remedy: During the applicable limited warranty period, the Company will, at its option, provide replacement parts for, or repair or replace, without charge, any Product or part thereof, to the extent the Company finds it to be covered by and in breach of this limited warranty under normal use and service. The Company will ship the repaired or replaced Product or replacement parts to you at no charge. You are responsible for all costs for removal, reinstallation and shipping, insurance or other freight charges incurred in the shipment of the Product or part to the Company. If you must send the Product or part to the Company, as instructed by the Company, you must properly pack the Product or part—the Company is not responsible for damage in transit. The Company reserves the right to utilize reconditioned, refurbished, repaired or remanufactured Products or parts in the warranty repair or replacement process. Such Products and parts will be comparable in function and performance to an original Product or part and warranted for the remainder of the original warranty period.

Exclusion of Damages: THE COMPANY'S OBLIGATION TO PROVIDE REPLACEMENT PARTS, OR REPAIR OR REPLACE, AT THE COMPANY'S OPTION, SHALL BE YOUR SOLE AND EXCLUSIVE REMEDY UNDER THIS LIMITED WARRANTY AND THE COMPANY'S SOLE AND EXCLUSIVE OBLIGATION. THE COMPANY SHALL NOT BE LIABLE FOR INCIDENTAL, INDIRECT, CONSEQUENTIAL OR SPECIAL DAMAGES ARISING OUT OF OR IN CONNECTION WITH THE PRODUCT, ITS USE OR PERFORMANCE.

Some states do not allow the exclusion or limitation of incidental or consequential damages, so the above limitation or exclusion may not apply to you. This warranty gives you specific legal rights, and you may also have other rights, which vary from state to state.

This warranty covers only replacement or repair of defective Products or parts thereof at the Company's main facility and does not include the cost of field service travel and living expenses.

Any assistance the Company provides to or procures for you outside the terms, limitations or exclusions of this limited warranty will not constitute a waiver of such terms, limitations or exclusions, nor will such assistance extend or revive the warranty.

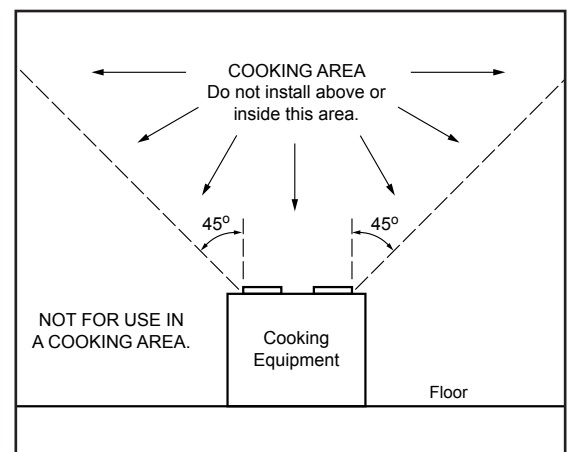
The Company will not reimburse you for any expenses incurred by you in repairing or replacing any defective Product, except for those incurred with the Company's prior written permission.

How to Obtain Warranty Service: To qualify for warranty service, you must (a) notify the Company at the address or telephone number stated below within seven (7) days of discovering the covered defect, (b) give the model number and part identification and (c) describe the nature of any defect in the Product or part. At the time of requesting warranty service, you must present evidence of the original purchase date. If you cannot provide a copy of the original written limited warranty, then the terms of the Company's most current written limited warranty for your particular product will control. The most current limited written warranties for the Company's products can be found at www.broan.com.

Broan-NuTone LLC 926 West State Street, Hartford, WI 53027 www.broan.com 800-637-1453

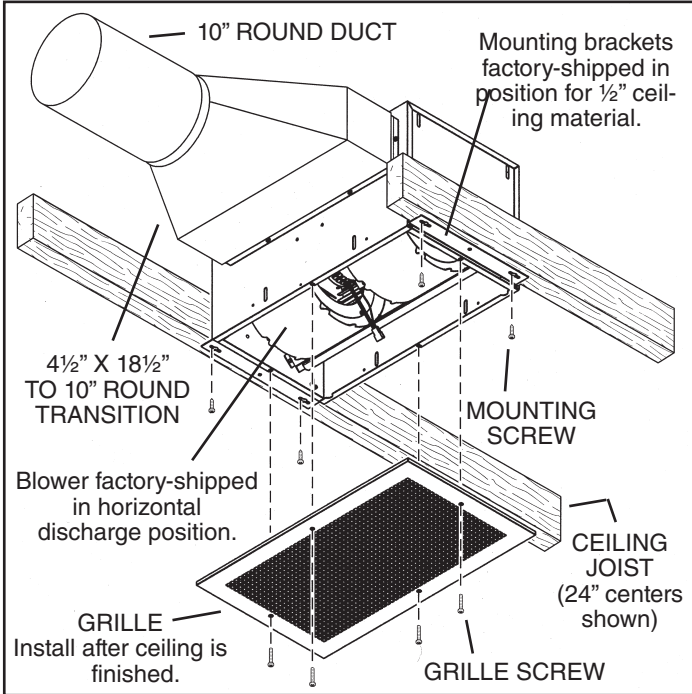
Installer: Leave this manual with the homeowner.

Homeowner: Use and Care information on page 3.



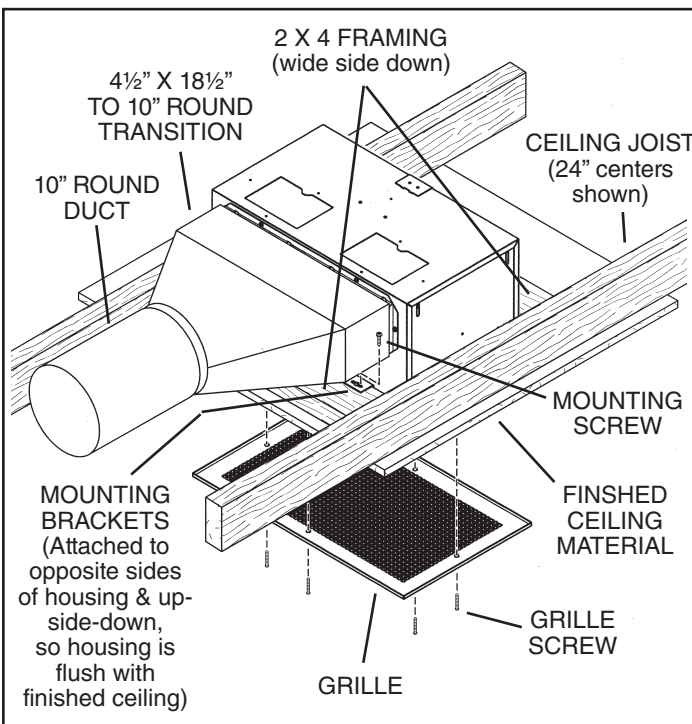
TYPICAL INSTALLATION

MOUNTING (*New Frame Construction*)



Factory-shipped unit installed in *new* construction.

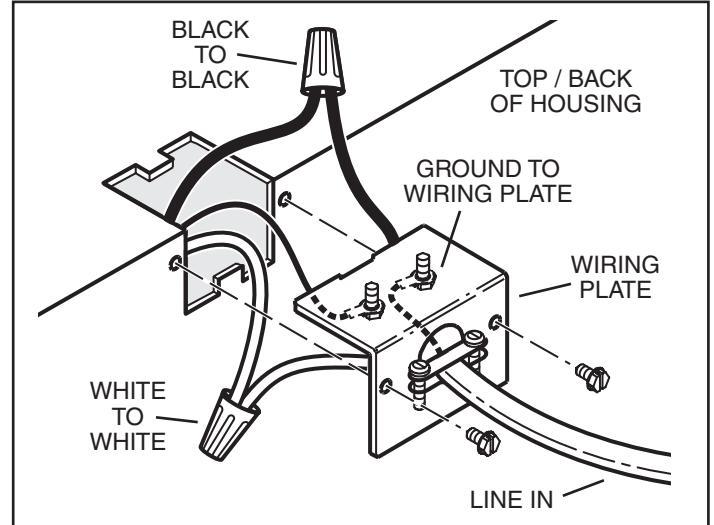
MOUNTING (*Existing Frame Construction*)



Factory-shipped unit installed in *existing* construction.

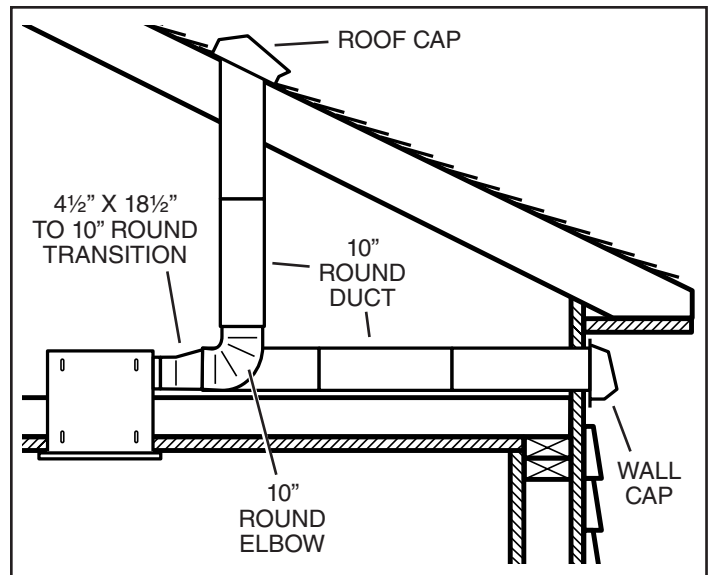
TYPICAL INSTALLATION

WIRING



Ventilator can be wired from outside of housing.
Use UL approved connectors to wire per local codes.

DUCTING (*Horizontal blower discharge*)

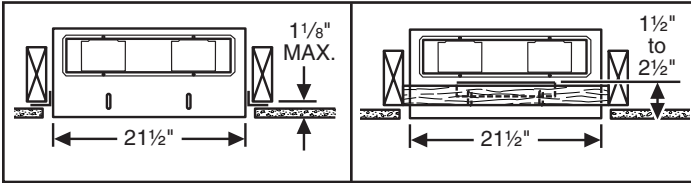


Two ways to connect ductwork to a factory-shipped unit.

NOTE: Make sure the shipping tape is removed from the damper flap and that damper flap opens and closes freely inside the ductwork. Use duct tape to make ductwork connections secure and air-tight.

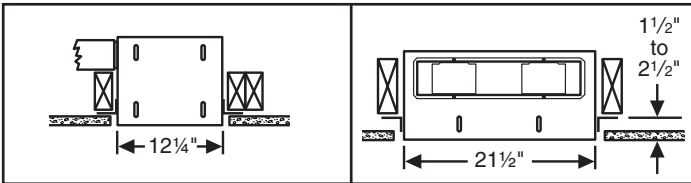
MOUNTING OPTIONS

¼-20 hex nuts secure mounting brackets to housing. Loosen and re-tighten or remove and replace nuts as necessary for desired mounting bracket position.



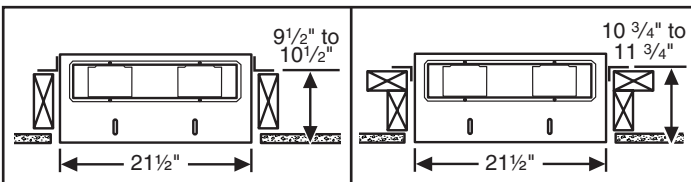
Mounting brackets in factory-shipped position. (Outlet parallel to joists.) (New construction)

Mounting brackets flipped over and mounted to outlet sides of housing. (Outlet parallel to joists.) (Existing construction)



Mounting brackets mounted to outlet sides of housing. (Outlet perpendicular to joists.) (New construction)

Mounting brackets flipped over to give approx. 1" more clearance. (Outlet parallel to joists.) (New construction)

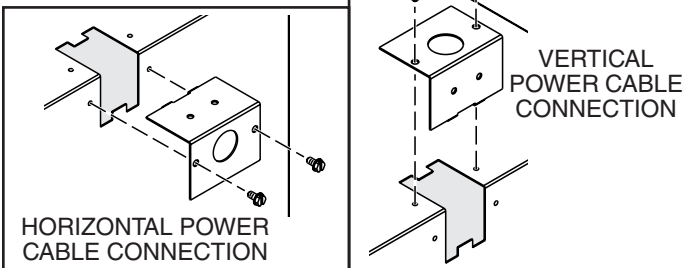


Mounting brackets mounted to top of sides of housing. (Outlet parallel to joists.) (New or existing construction)

Mounting brackets flipped over and mounted to top of sides of housing. (Outlet parallel to joists.) (New or existing construction)

WIRING OPTIONS

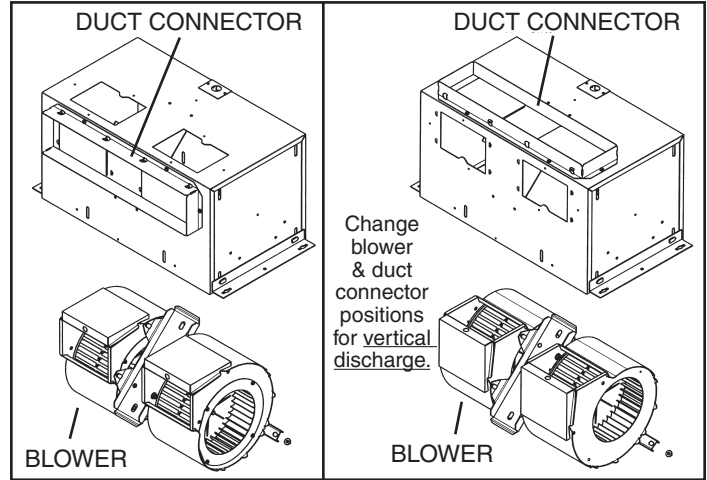
WIRING PLATE POSITION



Wiring plate mounts to side or top of housing.

DUCTING OPTIONS

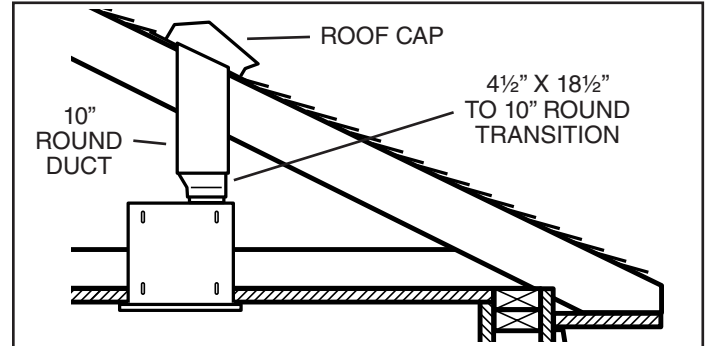
BLOWER DISCHARGE POSITIONS



Blower and duct connector in horizontal discharge position. (Factory shipped)

Blower and duct connector in vertical discharge position.

DUCTING (Vertical blower discharge)



Typical ductwork connection to a ventilator converted to vertical discharge.

USE AND CARE

Ventilator is designed for continuous operation. If desired, it may be controlled using an on/off switch or a solid-state, variable speed control. Follow wiring instructions packed with control, and adhere to all local and state codes, and the National Electrical Code.

WARNING: To reduce the risk of electric shock, disconnect from power supply before servicing.

To clean grille: Use appropriate vacuum attachment or remove grille and clean with a soft cloth and mild soap or detergent. Dry grille thoroughly before reinstalling.

To clean blower assembly: Remove grille, unplug blower from housing, remove blower mounting nuts, and carefully remove blower from housing. Use appropriate vacuum attachment or a soft cloth and mild soap or detergent to clean blower discharge area and wheel. DO NOT ALLOW WATER TO ENTER MOTOR. Make sure blower assembly is completely dry before reinstalling.

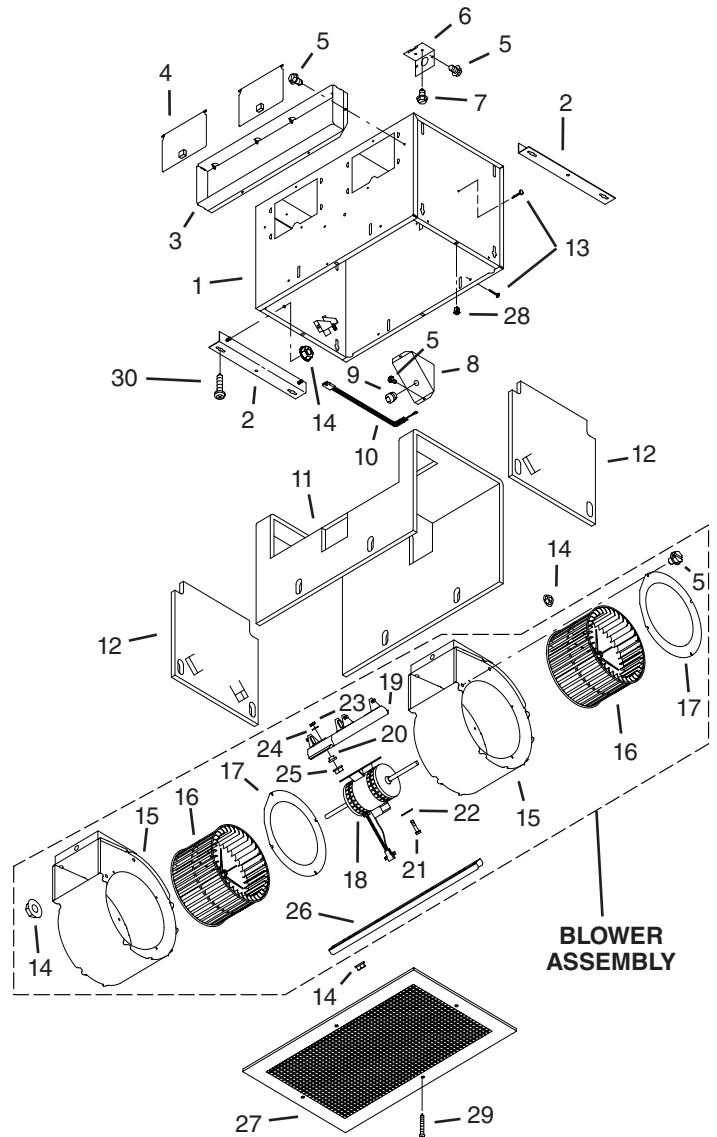
Motor is permanently lubricated. Do not oil or disassemble motor.

SERVICE PARTS

KEY NO.	PART NO.	DESCRIPTION
1	97014744	Housing Assembly
2	97014728	Mounting Bracket (2 req.)
3	98009449	Duct Connector
4	97014822	Damper Flap Assembly (2 req.)
5	99150415	Screw, 8-18 x 1/4 (18 req.)*
6	98005512	Wiring Plate
7	99150471	Ground Screw, 10-32 x 1/2 (2 req.)
8	98005513	Wire Box Cover
9	99400035	Strain Relief Bushing
10	97006039	Wire Harness
11	99500392	Wrapper Insulation
12	99500391	Side Insulation (2 req.)
13	99420466	Insulation Mounting Clip (6 req.)
14	99260477	Nut, 1/4-20 (12 req.)*
15	97014745	Scroll Assembly (2 req.)
16	99110805	Blower Wheel (2 req.)
17	98009399	Inlet Ring (2 req.)
18	99080486	Motor (L400)
	99080487	Motor (L500)
	99080488	Motor (L700)
	99080498	Motor (L400C)
	99080499	Motor (L500C)
	99080500	Motor (L700C)
	99080508	Motor (L400EX)
	99080509	Motor (L500EX)
	99080510	Motor (L700EX)
19	97014794	Motor Mounting Bracket
20	99100497	Rubber Isolator (4 req.)
21	99160380	Screw, 10-24 x 7/8 (4 req.)*
22	99250399	Washer (4 req.)*
23	99260306	Nut, Hex 10-24 (4 req.)*
24	99250254	Washer (4 req.)*
25	93260456	Nut, Hex Flange 3/8-16
26	98009461	Scroll Mounting Channel
5,14-26		Blower Assembly, Complete (Includes Key Nos. 5 & 14-26)
	97014817	(L400)
	97014819	(L500)
	97014821	(L700)
	97014883	(L400C)
	97014884	(L500C)
	97014885	(L700C)
	97014893	(L400EX)
	97014894	(L500EX)
	97014895	(L700EX)
27	98009463	Grille
28	99420470	Grille Nut (4 req.)
29	99150472	Grille Mounting Screw (4 req.)
30	99150591	Screw, 10-16 x 7/8 (4 req.)

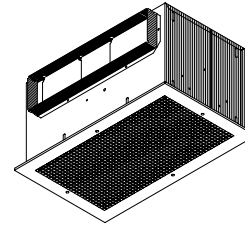
Order replacement parts by PART NO. - not by KEY NO.
* Standard hardware - may be purchased locally.

SERVICE PARTS



VENTILADORES LOSONE SELECT®

Para montaje en
cielo raso/pared



Página 5

LEA Y CONSERVE ESTAS INSTRUCCIONES

ADVERTENCIA



PARA REDUCIR EL RIESGO DE INCENDIO, GOLPE ELÉCTRICO, O LESIÓN A PERSONAS, OBSERVE LO SIGUIENTE:

1. Use esta unidad solamente de la manera indicada por el fabricante. Si tiene preguntas, póngase en contacto con el fabricante a la dirección o teléfono que aparecen en la garantía.
2. Antes de limpiar o de poner en servicio la unidad, apague el interruptor en el panel de servicio, y asegure el panel de servicio para evitar que se encienda accidentalmente. Cuando el dispositivo para desconectar el servicio eléctrico no puede ser cerrado con algún tipo de traba, sujete fuertemente al panel de servicio, una etiqueta de advertencia prominente.
3. El trabajo de instalación y cableado eléctrico deben estar hechos por personal capacitado de acuerdo con todos los códigos y estándares aplicables, incluyendo códigos y estándares de construcción a prueba de incendios.
4. Se necesita suficiente aire para la combustión y extracción de gases por la chimenea del equipo que quema combustible para evitar la retrogresión de las llamas. Siga las directrices del fabricante y estándares de seguridad como los publicados por la Asociación Nacional de Protección Contra Incendios (o por sus siglas en inglés NFPA), y la Sociedad Americana de Ingenieros de Calefacción, Refrigeración, y Aire Acondicionado (o por sus siglas en inglés ASHRAE), y los códigos de las autoridades locales.
5. Cuando corte o taladre en una pared o cielo raso, no dañe cableado eléctrico o instalaciones no visibles.
6. Ventiladores con conductos siempre deben extraer hacia el exterior.
7. Para reducir el riesgo de incendio, use sólo ductos de metal.
8. Si esta unidad va a instalarse sobre una bañera o ducha, debe marcársela con correcta para dicha aplicación y debe conectarse a un protegido GFCI (Cortacircuito Accidental a Tierra).
9. Nunca instale un interruptor donde se pueda alcanzar desde una bañera o ducha.
10. Esta unidad se debe conectar a tierra.

CUIDADO



1. Para uso de ventilación general solamente. No lo use para extraer materiales o vapores peligrosos o explosivos.
2. Para evitar daño a los cojinetes del motor y hélices ruidosas y/o desequilibradas, mantenga la unidad de potencia lejos de rocíos de yeso, polvo de construcción, etc.
3. Para más información y requisitos favor leer la etiqueta de especificaciones del producto.

Garantía limitada

Periodo y exclusiones de la garantía: Broan-NuTone LLC (la "Compañía") garantiza al consumidor comprador original de su producto ("usted") que el producto (el "Producto") estará libre de defectos en materiales o en mano de obra, por un periodo de un (1) año a partir de la fecha de compra original. El periodo de garantía limitada para cualquier pieza de repuesto proporcionada por la compañía y para cualquier Producto reparado o reemplazado bajo esta garantía limitada debe ser lo que reste del periodo de garantía original.

Esta garantía no cubre controles de velocidad, arrancadores de lámparas fluorescentes, tubos, bombillas de halógeno e incandescentes, fusibles, filtros, conductos, tapas de techo, tapas de pared ni otros accesorios que pudieran ser comprados por separado e instalados con el producto. Esta garantía tampoco cubre (a) mantenimiento y servicio normal, (b) uso y desgaste normal, (c) Productos o piezas sujetos a mal uso, abuso, uso anormal, negligencia, accidente, mantenimiento inadecuado o insuficiente, almacenamiento o reparación (que no sea reparación por parte de la Compañía), (d) daños causados por instalación defectuosa, o bien instalación o uso contrario a las recomendaciones o instrucciones, (e) cualquier Producto que se haya movido de su punto de instalación original, (f) daños ocasionados por el medio ambiente o los elementos naturales, (g) daños en tránsito, (h) desgaste natural del acabado, (i) Productos en uso comercial o no residencial, o (j) daños ocasionados por incendio, inundación u otro caso fortuito. Esta garantía cubre solamente Productos vendidos a clientes originales en los Estados Unidos por la Compañía o a distribuidores de EE. UU. autorizados por la Compañía.

Esta garantía sustituye todas las garantías anteriores y no es transferible del comprador consumidor original.

No hay otras garantías: Esta garantía limitada contiene la única obligación de la Compañía y su único recurso ante productos defectuosos. Las garantías anteriores son exclusivas y en lugar de cualquier otra garantía, expresa o implícita. LA COMPAÑÍA NIEGA Y EXCLUYE CUALQUIER OTRA GARANTÍA EXPRESA Y NIEGA Y EXCLUYE TODAS LAS GARANTÍAS IMPLÍCITAS POR LEY, INCLUYENDO, ENTRE OTRAS, LAS DE COMERCIALIZACIÓN Y APTITUD PARA UN PROPÓSITO EN PARTICULAR. Hasta el grado en que la ley aplicable prohíba la exclusión de las garantías implícitas, la duración de cualquier garantía implícita aplicable está limitada al periodo especificado para la garantía expresa antes mencionada. Algunos estados no permiten limitaciones en la duración de una garantía implícita, así que la limitación anterior tal vez no aplique en su caso. Cualquier descripción verbal o escrita del Producto es para el único propósito de identificarlo y no deberá considerarse como una garantía expresa.

Siempre que sea posible, toda disposición de esta garantía limitada deberá ser interpretada de tal forma que sea efectiva y válida de conformidad con la ley aplicable, pero si alguna disposición fuera considerada prohibida o inválida, quedará sin efecto solo en virtud de dicha prohibición o invalidez, sin invalidar el resto de dicha disposición o las demás disposiciones restantes de la garantía limitada.

Recurso: Durante el periodo de garantía limitada aplicable, la Compañía, a su opción, suministrará piezas de repuesto, o reparará o reemplazará, sin cargo alguno, cualquier Producto o pieza del mismo, hasta el grado en que la Compañía lo encuentre cubierto bajo esta garantía limitada y en incumplimiento de la misma en condiciones normales de uso y servicio. La Compañía le enviará el Producto reparado o reemplazado o las piezas de repuesto sin cargo. Usted es responsable de todos los costos de retiro, reinstalación y envío, seguro u otros cargos de flete incurridos en el envío del Producto o pieza a la Compañía. Si debe enviar el Producto o la pieza a la Compañía, tal como lo indique la Compañía, debe empaquetar adecuadamente el Producto o la pieza: la Compañía no se hace responsable por los daños en tránsito. La Compañía se reserva el derecho de utilizar Productos o piezas reacondicionados, renovados, reparados o refabricados en el proceso de reemplazo o reparación de garantía. Dichos Productos y piezas serán comparables en función y desempeño a un Producto o una pieza original y tendrán garantía durante el resto del periodo de la garantía original.

Exclusión de daños: LA OBLIGACIÓN DE LA COMPAÑÍA DE SUMINISTRAR PIEZAS DE REPUESTO, O DE REPARAR O REEMPLAZAR, A OPCIÓN DE LA COMPAÑÍA, SERÁ SU ÚNICO Y EXCLUSIVO RECURSO BAJO ESTA GARANTÍA LIMITADA, Y LA ÚNICA Y EXCLUSIVA OBLIGACIÓN DE LA COMPAÑÍA. LA COMPAÑÍA NO SERÁ RESPONSABLE POR DAÑOS INCIDENTALES, INDIRECTOS, RESULTANTES O ESPECIALES QUE SURJAN POR EL USO O DESEMPEÑO DEL PRODUCTO, O EN RELACIÓN CON EL MISMO.

Algunos estados no permiten la exclusión o limitación de daños incidentales o resultantes, por lo que la limitación antes mencionada podría no aplicarse a usted. Esta garantía le otorga derechos legales específicos, y usted podría tener otros derechos que varían de un estado a otro.

Esta garantía cubre únicamente el reemplazo o la reparación de Productos defectuosos o piezas de los mismos en la planta principal de la Compañía, y no incluye el costo del viaje para el servicio de campo ni los viáticos.

Cualquier asistencia que proporcione o procure la Compañía para usted fuera de los términos, limitaciones o exclusiones de esta garantía limitada no constituirá una renuncia a dichos términos, limitaciones o exclusiones, ni dicha asistencia extenderá o renovará la garantía.

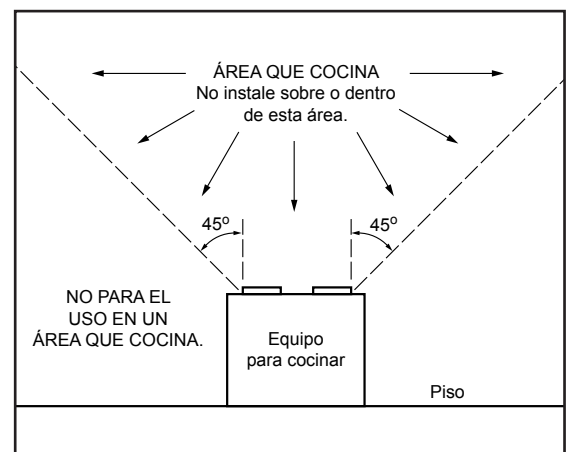
La Compañía no le reembolsará ningún gasto en el que usted haya incurrido al reparar o reemplazar cualquier Producto defectuoso, excepto los incurridos con el permiso previo por escrito de la Compañía.

Cómo obtener el servicio cubierto por la garantía: Para tener derecho al servicio cubierto por la garantía, usted debe (a) notificar a la Compañía a la dirección o número de teléfono que aparecen abajo en un plazo de siete (7) días después de descubrir el defecto cubierto, (b) proporcionar el número de modelo y la identificación de la pieza y (c) describir la naturaleza de cualquier defecto en el Producto o la pieza. En el momento de solicitar el servicio cubierto por la garantía, debe presentar un comprobante de la fecha de compra original. Si usted no puede presentar una copia de la garantía limitada original por escrito, entonces registrarán los términos de la garantía limitada por escrito más actualizada de la compañía para su producto en particular. Las garantías limitadas por escrito más actualizadas para los productos de la Compañía se pueden encontrar en www.broan.com.

Broan-NuTone LLC 926 West State Street, Hartford, WI 53027 www.broan.com 800-637-1453

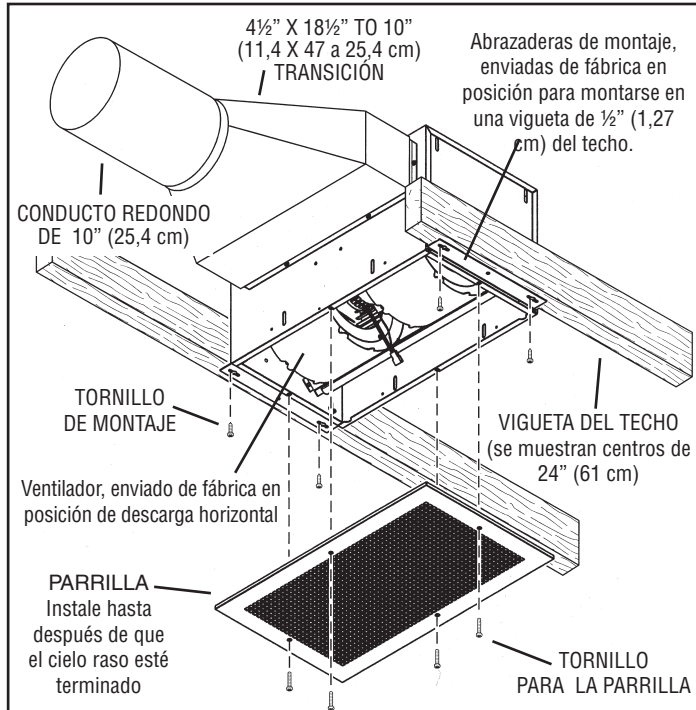
Instalador: Deje este manual con el dueño de casa.

Dueño de casa: Información del uso y mantenimiento en la página 7.



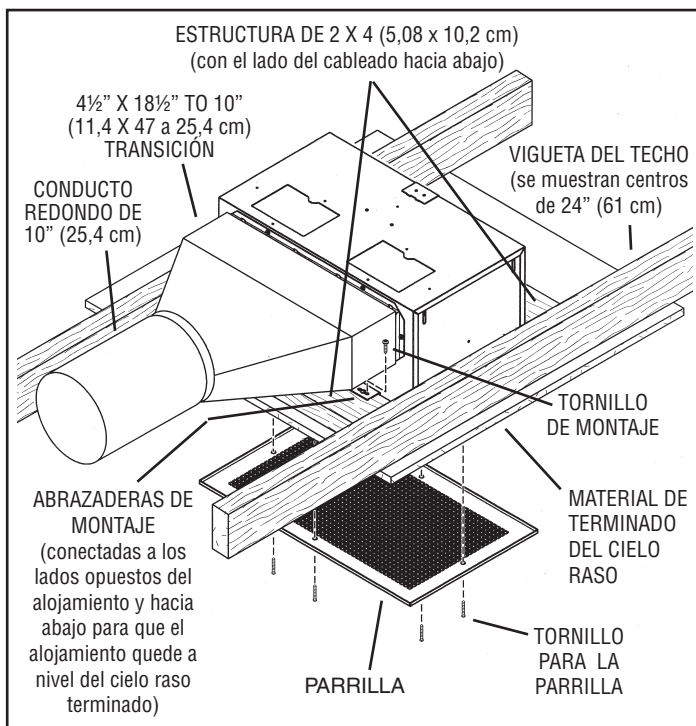
INSTALACIÓN TÍPICA

MONTAJE (Estructura nueva)



Unidad enviada de fábrica instalada en una estructura nueva.

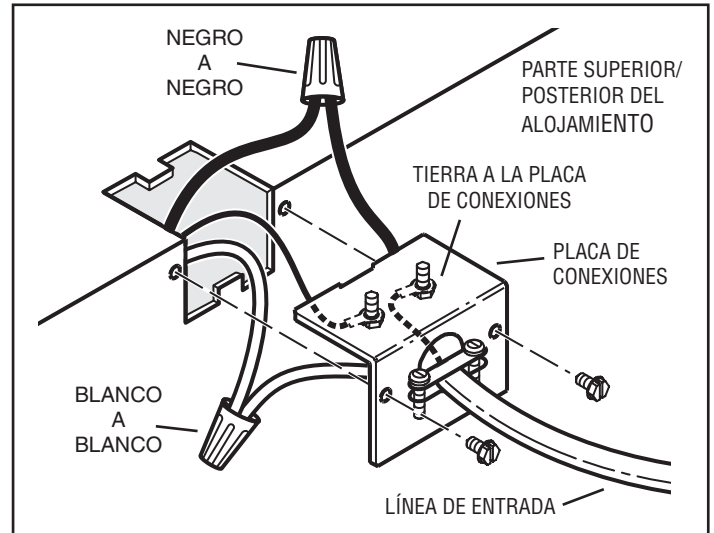
MONTAJE (Estructura existente)



Unidad enviada de fábrica instalada en una estructura existente.

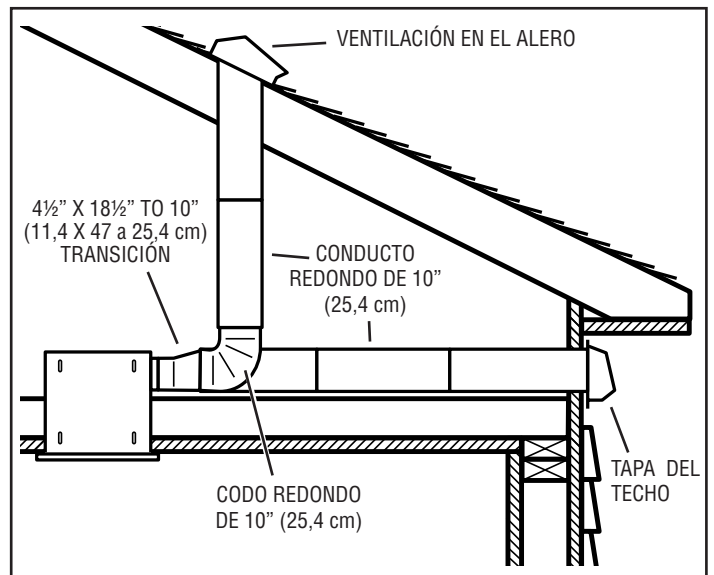
INSTALACIÓN TÍPICA

CONEXIÓN ELÉCTRICA



El ventilador se puede conectar desde el exterior del alojamiento. Use conectores aprobados por UL en la conexión en cumplimiento con los códigos locales.

COLOCACIÓN DE CONDUCTOS (descarga horizontal del ventilador)

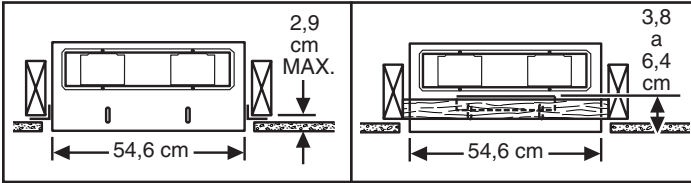


Das formas de conectar los conductos a una unidad enviada de fábrica.

NOTA: Asegúrese de quitar la cinta que fija la pestaña del regulador durante la transportación, y de que esta pestaña abra y cierre libremente dentro del conducto. Utilice cinta de conductos para asegurar y hermetizar las conexiones de los conductos.

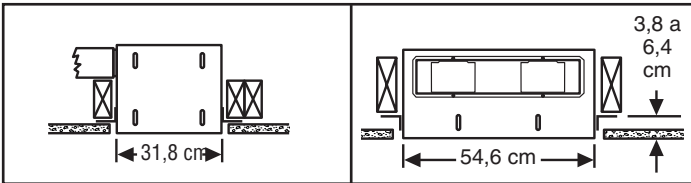
OPCIONES DE MONTAJE

Las tuercas hexagonales de ¼ x 20 aseguran las abrazaderas de montaje en el alojamiento. Afloje y vuelva a apretar o quite y reemplace las tuercas según sea necesario para colocar las abrazaderas de montaje en la posición deseada.



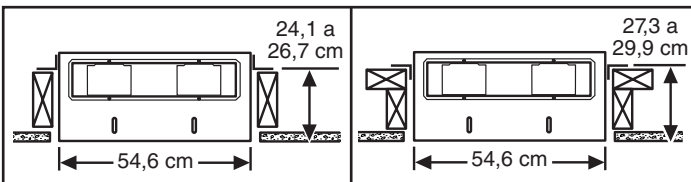
Abrazaderas de montaje en la posición ajustada en fábrica. (La salida queda paralela a las viguetas)
(Estructura nueva)

Abrazaderas de montaje volteadas y montadas a los lados de la salida del alojamiento. (La salida queda perpendicular a las viguetas)
(Estructura existente)



Abrazaderas de montaje montadas en los lados de la salida del alojamiento. (La salida queda perpendicular a las viguetas)
(Estructura nueva)

Abrazaderas de montaje volteadas para permitir un espacio adicional de aprox. 1" (2.54 cm). (La salida queda paralela a las viguetas)
(Estructura nueva)

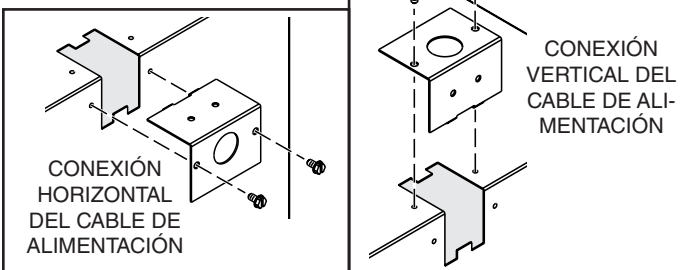


Abrazaderas de montaje montadas en la parte superior de los lados del alojamiento. (La salida queda paralela a las viguetas)
(Estructura nueva o existente)

Abrazaderas de montaje volteadas y montadas en la parte superior de los lados del alojamiento. (La salida queda paralela a las viguetas)
(Estructura nueva o existente)

OPCIONES PARA LA CONEXIÓN ELÉCTRICA

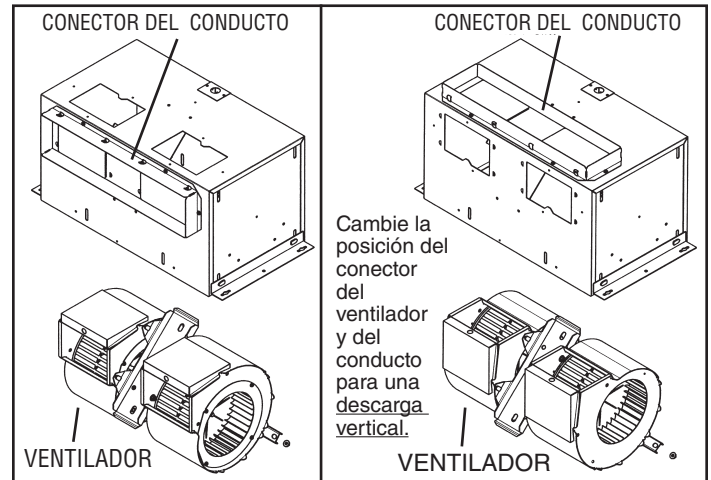
COLOCACIÓN DE LA PLACA DE CONEXIONES



La placa de conexiones se monta a los lados o en la parte superior del alojamiento.

OPCIONES PARA LA COLOCACIÓN DE CONDUCTOS

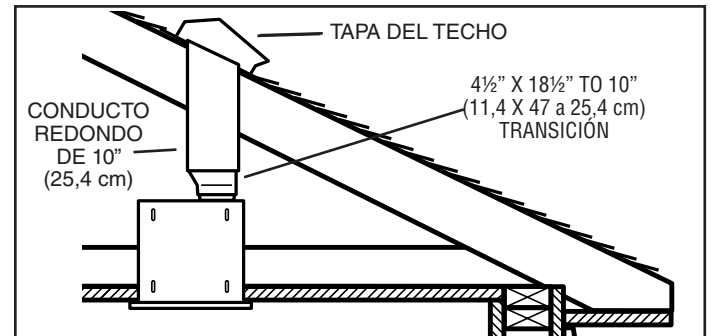
POSICIONES DE LA DESCARGA DEL VENTILADOR



Cambie la posición del conector del ventilador y del conducto para una descarga vertical.

Conector del ventilador y del conducto en posición de descarga horizontal (ajuste de fábrica)

COLOCACIÓN DE DUCTOS (Descarga vertical del ventilador)



Conexión típica de los conductos al ventilador cambiado a descarga vertical.

USO Y CUIDADO

El ventilador está diseñado para operar continuamente. Si se desea, se puede controlar usando un interruptor de encendido/apagado o un control de estado sólido de velocidad variable. Siga las instrucciones para las conexiones eléctricas que vienen empacadas con el control, y observe todos los códigos locales y estatales y el Código Eléctrico Nacional.



ADVERTENCIA: Para reducir el riesgo de sufrir una descarga eléctrica, antes de dar servicio al ventilador desconéctelo del suministro eléctrico.

Para limpiar la parrilla: Use el aditamento apropiado de la aspiradora o quite la parrilla y límpiela con un paño suave y jabón o detergente suave. Seque la parrilla completamente antes de volverla a instalar.

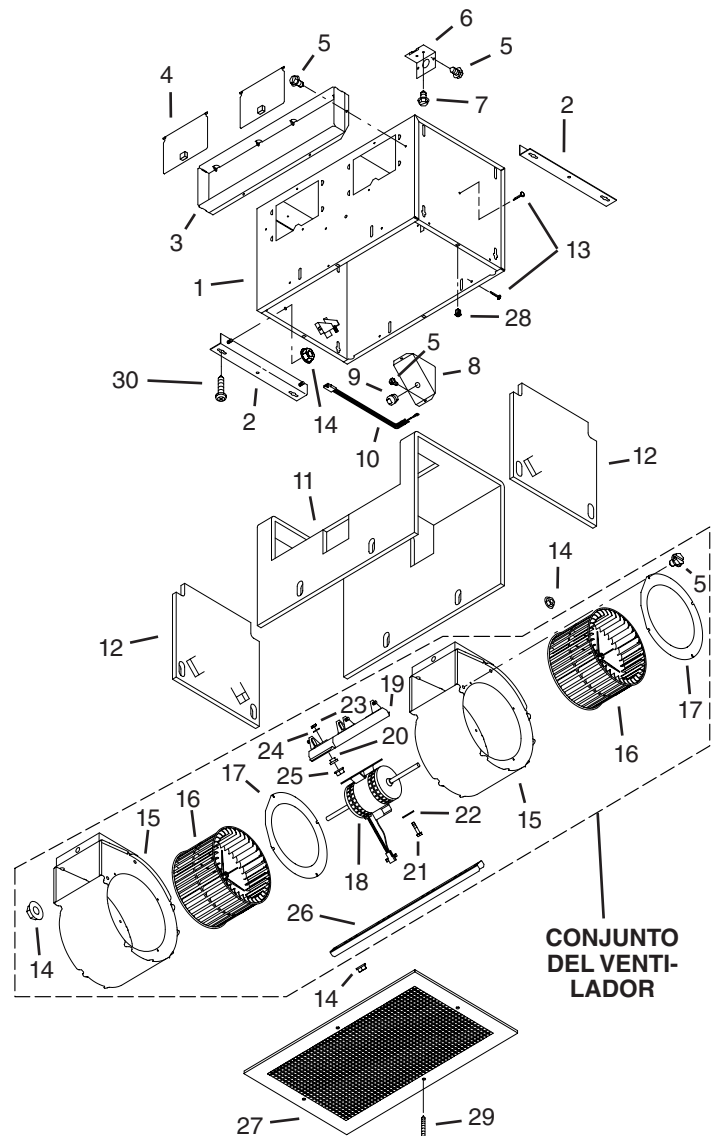
Para limpiar el conjunto del ventilador: Quite la parrilla, desconecte el ventilador del alojamiento, quite las tuercas de montaje del ventilador y cuidadosamente saque el ventilador del alojamiento. Use el aditamento apropiado de la aspiradora o un paño suave y jabón o detergente suave para limpiar el área de descarga y la rueda del ventilador. **NO PERMITA QUE ENTRE AGUA AL MOTOR.** Asegúrese de que el conjunto del ventilador esté completamente seco antes de volverlo a instalar.

El motor está permanentemente lubricado. No lubrique ni desmonte el motor.

PIEZAS DE SERVICIO

PIEZAS DE SERVICIO

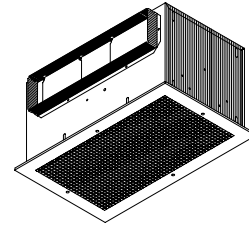
CLAVE N°.	PIEZA N°.	DESCRIPCIÓN
1	97014744	Conjunto del alojamiento
2	97014728	Abrazaderas de montaje (se req. 2)
3	98009449	Conector del conducto
4	97014822	Conjunto de la solapa de compuerta de tiro (se req. 2)
5	99150415	Tornillos, 8-18 x ¼ (se req. 18)*
6	98005512	Placa de conexiones
7	99150471	Tornillos de conexión a tierra, 10-32 x ½ (se req. 2)
8	98005513	Cubierta de la caja de conexiones
9	99400035	Buje de alivio de tensión
10	97006039	Arnés de alambre
11	99500392	Envoltura aislante
12	99500391	Aislador lateral (se req. 2)
13	99420466	Pinza de montaje del aislador (se req. 6)
14	99260477	Tuercas, ¼-20 (12 req.)*
15	97014745	Conjunto del caracol (2 req.)
16	99110805	Rueda del ventilador (se req. 2)
17	98009399	Anillo de entrada (2 req.)
18	99080486	Motor (L400)
	99080487	Motor (L500)
	99080488	Motor (L700)
	99080498	Motor (L400C)
	99080499	Motor (L500C)
	99080500	Motor (L700C)
	99080508	Motor (L400EX)
	99080509	Motor (L500EX)
	99080510	Motor (L700EX)
19	97014794	Abrazadera montaje de motor
20	99100497	Aislador de caucho (se req. 4)
21	99160380	Tornillos, 10-24 x 7/8 (se req. 4)*
22	99250399	Arandelas (se req. 4)*
23	99260306	Tuercas, hex 10-24 (se req. 4)*
24	99250254	Arandelas (se req. 4)*
25	93260456	Tuerca, hex pestaña 3/8-16
26	98009461	Ranura montaje de caracol
5, 14-26		Conjunto del ventilador, completo (Incluye clave N°s 5 y 14-26)
	97014817	(L400)
	97014819	(L500)
	97014821	(L700)
	97014883	(L400C)
	97014884	(L500C)
	97014885	(L700C)
	97014893	(L400EX)
	97014894	(L500EX)
	97014895	(L700EX)
27	98009463	Parilla
28	99420470	Tuercas de parilla (se req. 4)
29	99150472	Tornillos de montaje de la parilla (se req. 4)
30	99150591	Tornillos, 10-16 x 7/8 (se req. 4)



Pida las piezas de repuesto por N°. DE PIEZA, no por N°. DE CLAVE
* Herraje estándar, se puede comprar localmente.

VENTILATEURS LOSONE SELECT®

Montage au plafond/mur



LIRE ET CONSERVER CES INSTRUCTIONS

AVERTISSEMENT

POUR RÉDUIRE LE RISQUE D'INCENDIE, DE CHOC ÉLECTRIQUE OU DE BLESSURES PERSONNELLES, OBSERVEZ CE QUI SUIT:

1. Utilisez cette unité seulement de la façon prévue par le fabricant. Pour d'autres renseignements, contactez le fabricant à l'adresse ou au numéro de téléphone qui se trouve dans la garantie.
2. Avant d'effectuer une réparation ou un entretien sur cet appareil, coupez le courant au tableau d'alimentation et verrouillez celui-ci pour empêcher que la tension soit remise accidentellement. Lorsque le verrouillage de la déconnexion n'est pas possible, mettez bien en vue un signal d'avertissement telle qu'une étiquette, sur le panneau d'alimentation.
3. L'installation et la pose des fils électriques doivent être effectuées par une ou des personnes qualifiées conformément à tous les codes et normes applicables, incluant les normes de construction en rapport aux incendies.
4. Il faut suffisamment d'air pour une combustion appropriée et l'échappement des gaz par le tuyau de la cheminée de l'équipement brûlant du combustible pour prévenir un contre-courant. Suivez les instructions du fabricant de l'équipement de chauffage et les normes de sécurité telles que celles publiées par la National Fire Protection Association (NFPA) et l'American Society for Heating, Refrigeration and Air Conditioning Engineers (ASHRAE) et des autorités du code local.
5. Lors de la coupe ou du perçage dans un mur ou un plafond, prenez soin de ne pas endommager les fils électriques et les autres utilités dissimulées.
6. La décharge des ventilateurs à conduit par l'évent doit toujours se faire à l'extérieur.
7. Pour réduire le risque d'incendie, utilisez seulement des conduits de ventilation en métal.
8. Si cette unité doit être installée au-dessus d'une baignoire ou d'une douche, elle doit être marquée comme étant appropriée pour l'application et être connectée à un circuit dérivé protégé GFCI (interrupteur de circuit en cas de défaut de mise à la terre du neutre).
9. Ne placez jamais un interrupteur dans un endroit où il peut être rejoint d'une baignoire ou d'une douche.
10. Cette unité doit être mise à la terre.

ATTENTION

1. Pour ventilation générale seulement. Ne l'utilisez pas pour évacuer les vapeurs ou matériaux dangereux ou que peuvent exploser.
2. Pour éviter d'endommager les coussinets du moteur et des turbines bruyantes et/ou mal équilibrées, assurez que l'unité motrice est exempte de poussière provenant des murs en pierres sèches et la construction.
3. Veuillez lire l'étiquette de spécifications sur le produit pour d'autres renseignements et exigences.

Garantie limitée

Période de garantie et exclusions: Broan-NuTone LLC (la « Société ») garantit au consommateur acheteur initial (« vous ») de son produit (le « Produit ») que celui-ci est exempt de tout vice de matériau ou de fabrication pour une période de un (1) an à compter de la date d'achat originale. La période de la garantie limitée sur toute pièce de remplacement fournie par la Société et sur tout produit réparé ou remplacé en vertu de la présente garantie limitée correspond au reste de la période de garantie originale.

La présente garantie ne s'applique pas aux commandes de vitesse, tubes fluorescents et aux démarreurs, ni aux ampoules halogènes ou incandescentes, fusibles, filtres, conduits, capuchons de toit, capuchons muraux et autres accessoires pour conduits pouvant avoir été achetés séparément et installés avec le produit. La présente garantie ne couvre pas (a) les travaux d'entretien et de service normal, (b) l'usure normale, (c) tout produit ou toute pièce ayant fait l'objet d'une mauvaise utilisation, d'un abus, d'un usage anormal, d'une négligence, d'un accident, d'un entretien, rangement ou réparation inadéquats ou insuffisants (autre que par la Société), (d) les dommages dus à une mauvaise installation, ou à une installation ou utilisation contraires aux recommandations ou instructions, (e) tout produit déplacé de son lieu d'installation original, (f) les dommages dus à des éléments environnementaux ou naturels, (g) les dommages dus au transport, (h) l'usure naturelle du fini, (i) les produits utilisés à des fins commerciales ou non-résidentielles ou (j) les dommages dus à un incendie, à une inondation ou à un événement fortuit. La présente garantie ne couvre que les produits vendus au consommateur initial aux États-Unis par la Société ou par les distributeurs américains autorisés par la Société.

La présente garantie remplace toute garantie précédente et le consommateur et acheteur initial ne peut la céder à quiconque.

Aucune autre garantie: La présente garantie limitée stipule les seules obligations de la Société et votre seul recours en cas de produits défectueux. La garantie ci-dessus est exclusive et remplace toute autre garantie, expresse ou tacite. LA SOCIÉTÉ EXCLUT TOUTE AUTRE GARANTIE EXPRESSE ET TOUTE GARANTIE DECOULANT IMPLICITEMENT DE LA LOI, Y COMPRIS, SANS S'Y LIMITER, LES GARANTIES DE VALEUR MARCHANDE ET D'ADEQUATION À UN USAGE PARTICULIER. Dans la mesure où la loi en vigueur interdit l'exclusion des garanties tacites, la durée de toute garantie tacite est limitée à la période stipulée ci-dessus pour la garantie expresse. Certaines juridictions interdisant de limiter la durée d'une garantie tacite, la limitation ci-dessus peut ne pas s'appliquer à votre situation. Toute description verbale ou écrite du produit a pour seule fin de l'identifier et ne doit pas être interprétée comme une garantie expresse.

Si possible, chaque disposition de cette garantie limitée doit être interprétée de sorte à être en vigueur et valide en vertu des lois applicables, mais si une disposition s'avère interdite ou invalide, elle sera seulement dans la mesure de cette interdiction ou invalidité, sans invalider le reste de cette disposition ni les autres dispositions de la présente garantie limitée.

Recours: Pendant la période de garantie limitée applicable, la Société pourra, à son choix, fournir des pièces de rechange ou réparer ou remplacer, sans frais, tout produit ou toute pièce, dans la mesure où la Société constate qu'il est couvert et contrevient à la présente garantie limitée dans des conditions normales d'utilisation et de service. La Société vous enverra gratuitement le produit réparé ou remplacé ou les pièces de rechange. Vous êtes responsable des frais de démontage, de remontage, d'expédition, d'assurance ou de tous autres frais de transport pour l'envoi du produit ou de la pièce à la Société. Si vous devez envoyer le produit ou la pièce à la Société, tel que la Société vous l'indiquera, vous devrez l'emballer correctement. La Société n'est pas responsable des dommages subis lors du transport. La Société se réserve le droit d'utiliser des produits ou des pièces remis en état, remis à neuf, réparés ou réusinés dans le processus de réparation ou de remplacement sous garantie. Lesdits produits ou pièces seront comparables en fonction et en performance aux produits et pièces d'origine et seront garantis pendant le reste de la période de garantie originale.

Exclusion de dommages: L'OBLIGATION DE LA SOCIÉTÉ DE FOURNIR DES PIÈCES DE RECHANGE, OU DE RÉPARER OU REMPLACER LE PRODUIT, À SON CHOIX, CONSTITUE VOTRE SEUL ET UNIQUE RECOURS EN VERTU DE LA PRÉSENTE GARANTIE LIMITÉE ET LA SEULE ET UNIQUE OBLIGATION DE LA SOCIÉTÉ. LA SOCIÉTÉ NE PEUT ÊTRE TENUE RESPONSABLE DE TOUT DOMMAGE INDIRECT, CONSÉCUTIF, ACCESSOIRE OU SPÉCIAL DECOULANT DE L'UTILISATION OU DU RENDEMENT DU PRODUIT.

Certains territoires ou provinces ne permettant pas la limitation ou l'exclusion des dommages indirects ou consécutifs, la limitation ci-dessus peut ne pas s'appliquer à votre situation. La présente garantie vous confère des droits spécifiques reconnus par la loi. D'autres droits pourraient également vous être accordés selon la législation locale en vigueur.

La présente garantie ne couvre que le remplacement ou la réparation des produits ou pièces défectueux à l'usine principale de la Société et ne comprend pas les frais de voyage et ni les dépenses quotidiennes pour une réparation à domicile.

Toute aide que la Société vous fournit en dehors des dispositions, limitations ou exclusions de cette garantie limitée ne constituera en rien une renonciation auxdites dispositions, limitations ou exclusions, et ne prolongera aucunement cette garantie pas plus qu'elle ne la remettra en vigueur.

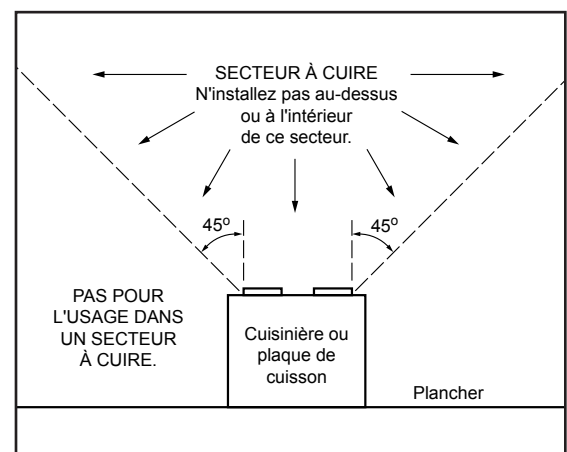
La Société ne vous remboursera aucune dépense encourue par vous pour la réparation ou le remplacement de tout produit défectueux, sauf celles que vous avez encourues avec la permission écrite préalable de la Société.

Comment bénéficier du service de garantie: Pour vous prévaloir de cette garantie, vous devez (a) aviser la Société à l'adresse ou au numéro de téléphone indiqués ci-dessous dans les sept (7) jours du constat de la défectuosité couverte, (b) donner le numéro de modèle du produit et le numéro d'identification de la pièce et (c) décrire la nature de la défectuosité du produit ou de la pièce. Lors de votre demande de garantie, vous devez présenter une preuve de la date d'achat originale. Si vous ne pouvez pas fournir une copie écrite de la garantie limitée originale, les dispositions de la garantie limitée écrite la plus récente de la Société concernant ce produit particulier s'appliqueront. Vous trouverez les garanties limitées écrites les plus récentes des produits de la Société sur le site www.broan.ca.

Broan-NuTone Canada, Inc. 1140 Tristar Drive, Mississauga, Ontario L5T 1H9 www.broan.ca 800-637-1453

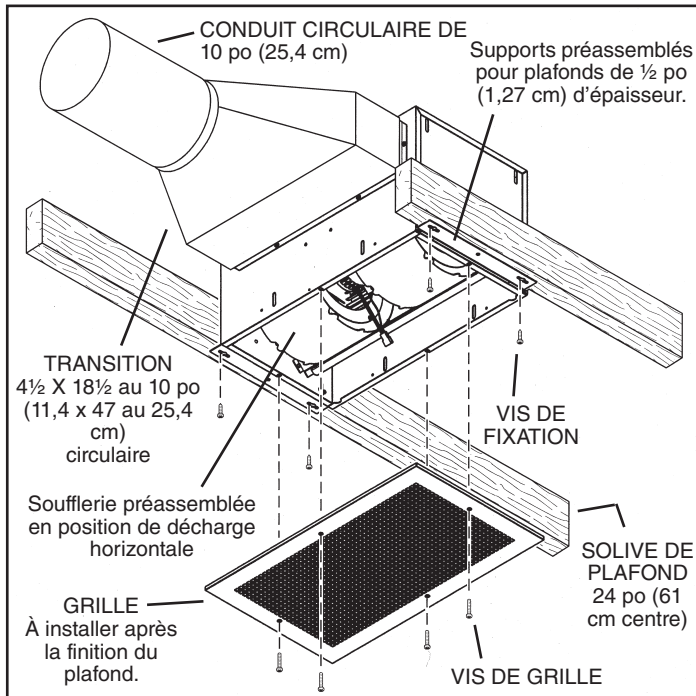
**Installateur:
Remettez ce
manuel au
propriétaire de
maison.**

**Propriétaire de
maison: Mode
d'utilisation et
soin à la page 11.**



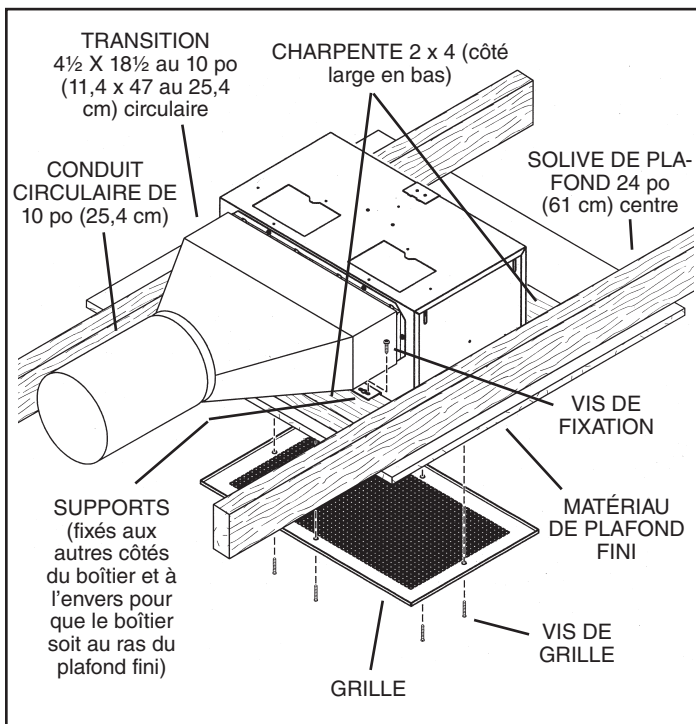
INSTALLATION TYPIQUE

MONTAGE (Construction en cours)



Appareil installé dans un bâtiment en cours de construction.

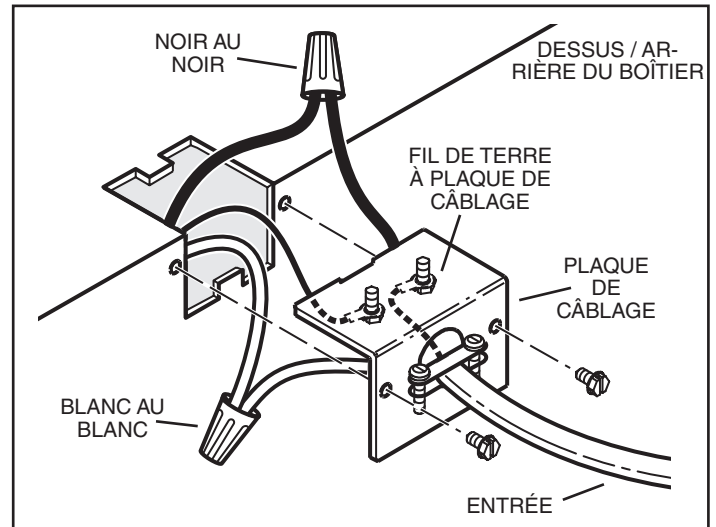
MONTAGE (construction terminée)



Appareil installé dans un bâtiment déjà construit.

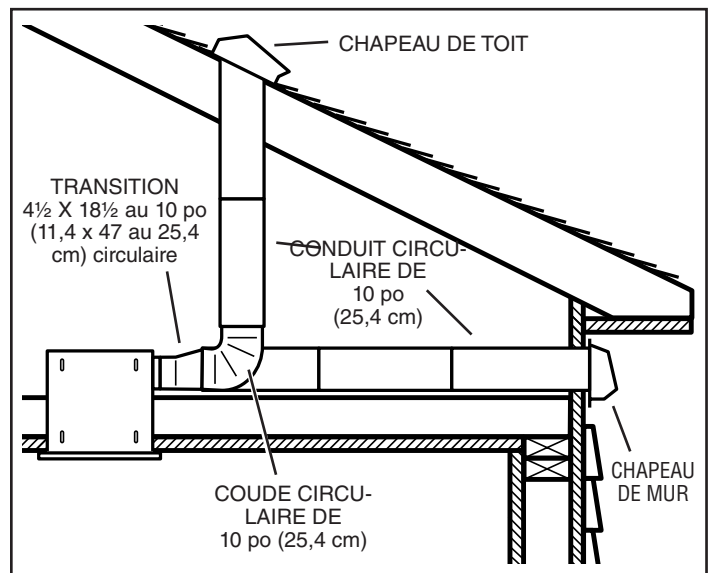
INSTALLATION TYPIQUE

CÂBLAGE



Le ventilateur peut être branché depuis l'extérieur du boîtier. Utiliser des connecteurs homologués UL pour les branchements, conformément aux codes locaux en vigueur.

INSTALLATION DES CONDUITS (décharge de soufflerie horizontale)

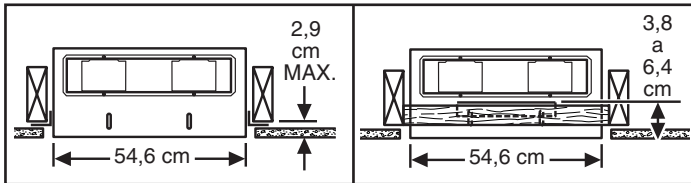


Deux manières de raccorder les conduits à un appareil prémonté.

REMARQUE : Veiller à retirer le ruban adhésif d'expédition du volet du registre et s'assurer que ce dernier s'ouvre et se ferme librement à l'intérieur du conduit. Utiliser du ruban adhésif pour assurer et étancher les raccords des conduits.

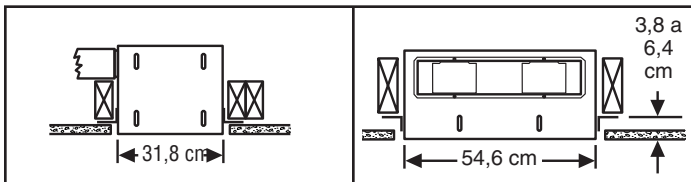
OPTIONS DE MONTAGE

Des écrous à six pans ¼-20 fixent les supports au boîtier. Desserrer et resserrer ou retirer et replacer les écrous si nécessaire, selon la position désirée pour le support.



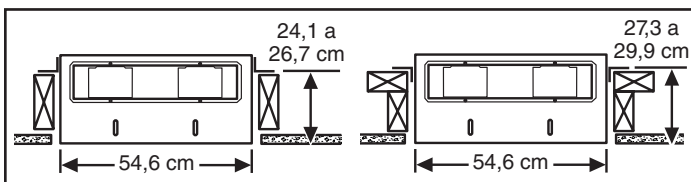
Supports en position préassemblée
(Sortie parallèle aux solives)
(Bâtiment en cours de construction)

Supports retournés et fixés de part et d'autre de la sortie du boîtier
(Sortie perpendiculaire aux solives)
(Bâtiment déjà construit)



Supports fixés de part et d'autre de la sortie du boîtier
(Sortie perpendiculaire aux solives)
(Bâtiment en cours de construction)

Supports retournés pour donner environ 1 po de dégagement supplémentaire
(Sortie perpendiculaire aux solives)
(Bâtiment en cours de construction)

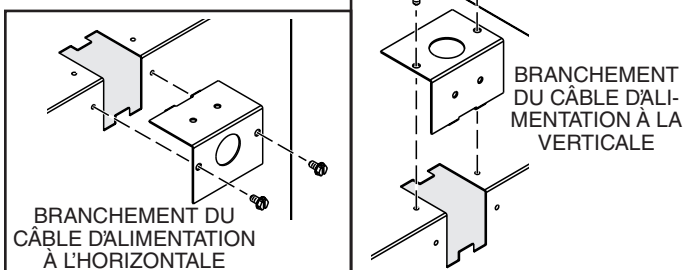


Supports fixés sur le dessus, de part et d'autre du boîtier
(Sortie parallèle aux solives)
(Bâtiment en cours de construction ou déjà construit)

Supports retournés et fixés sur le dessus, de part et d'autre du boîtier
(Sortie parallèle aux solives)
(Bâtiment en cours de construction ou déjà construit)

OPTIONS DE CÂBLAGE

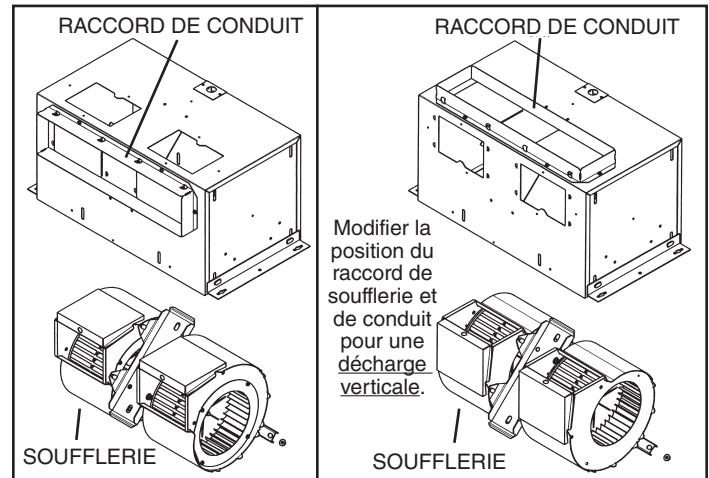
POSITION DE LA PLAQUE DE CÂBLAGE



La plaque de câblage se fixe sur le côté ou sur le dessus du boîtier.

OPTIONS D'INSTALLATION DES CONDUITS

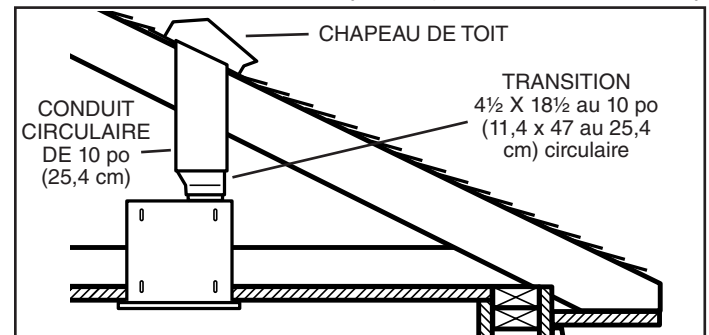
POSITIONS DE LA DÉCHARGE DE LA SOUFFLERIE



Raccord de soufflerie et de conduit en position de décharge horizontale (préassemblée)

Raccord de soufflerie et de conduit en position de décharge verticale

INSTALLATION DES CONDUITS (décharge de soufflerie verticale)



Raccordement de conduit typique à un ventilateur converti en décharge verticale

UTILISATION ET ENTRETIEN

Le ventilateur a été conçu pour une utilisation continue. Si désiré, il peut être commandé à l'aide d'un interrupteur marche/arrêt ou d'un régulateur de vitesse à semi-conducteurs. Suivre les instructions de câblage fournies avec le régulateur et respecter tous les codes locaux et provinciaux en vigueur, de même que le Code national de l'électricité.



AVERTISSEMENT : Pour diminuer les risques de décharge électrique, débrancher la source d'alimentation avant toute opération d'entretien.

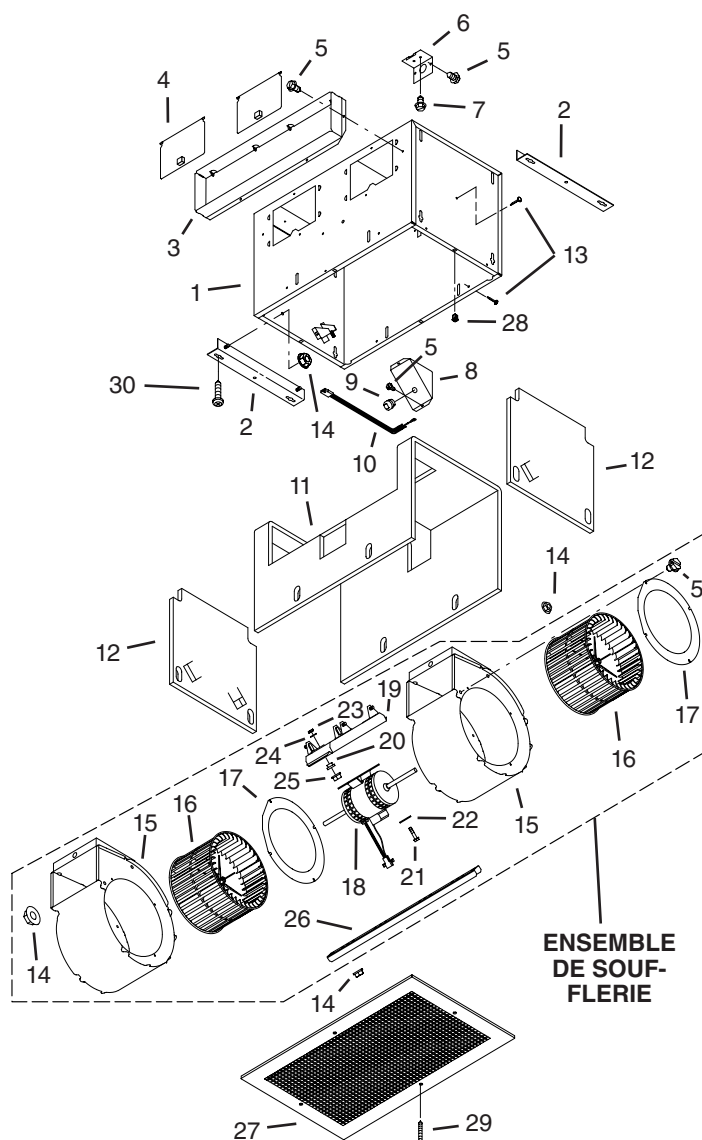
Pour nettoyer la grille : Utiliser un accessoire d'aspirateur approprié ou retirer la grille et nettoyer à l'aide d'un chiffon doux et de savon ou de détergent doux. Bien essuyer la grille avant de la réinstaller.

Pour nettoyer la soufflerie : Retirer la grille, débrancher la soufflerie du boîtier, retirer les écrous de fixation de la soufflerie et retirer délicatement la soufflerie du boîtier. Utiliser un accessoire d'aspirateur approprié ou retirer la grille et nettoyer à l'aide d'un chiffon doux et de savon ou de détergent doux pour nettoyer la zone de décharge de la soufflerie et la roue. **NE PAS LAISSER D'EAU S'INFILTRER DANS LE MOTEUR.** S'assurer que la soufflerie est complètement sèche avant de la réinstaller. Le moteur est lubrifié en permanence. Ne pas lubrifier ou démonter le moteur.

PIÈCES DE RECHANGE

LÉGENDE	N° DE RÉF.	DESCRIPTION
1	97014744	Boîtier
2	97014728	Support (2 oblig.)
3	98009449	Registre
4	97014822	Ensemble de clapet de registre (2 oblig.)
5	99150415	Vis, 8-18 x ¼ (18 oblig.)*
6	98005512	Plaque de câblage
7	99150471	Vis de terre, 10-32 x ½ (2 oblig.)
8	98005513	Couvercle de la boîte de câblage
9	99400035	Réducteur de tension
10	97006039	Harnais à fils
11	99500392	Enveloppe isolante
12	99500391	Isolant latéral (2 oblig.)
13	99420466	Pince de montage d'isolant (6 oblig.)
14	99260477	Écrou, ¼-20 (12 oblig.)*
15	97014745	Volute (2 oblig.)
16	99110805	Roue de soufflerie (2 oblig.)
17	98009399	Bague d'arrivée (2 oblig.)
18	99080486	Moteur (L400)
	99080487	Moteur (L500)
	99080488	Moteur (L700)
	99080498	Moteur (L400C)
	99080499	Moteur (L500C)
	99080500	Moteur (L700C)
	99080508	Moteur (L400EX)
	99080509	Moteur (L500EX)
	99080510	Moteur (L700EX)
19	97014794	Support de montage de moteur
20	99100497	Isolant de caoutchouc (4 oblig.)
21	99160380	Vis, 10-24 x 7/8 (4 oblig.)*
22	99250399	Rondelle (4 oblig.)*
23	99260306	Écrou, Hex 10-24 (4 oblig.)*
24	99250254	Rondelle (4 oblig.)*
25	93260456	Écrou, Hex Flange 3/8-16
26	98009461	Barre de montage de volute
5,14-26		Soufflerie, ensemble (inclut n° légende 5 et 14 à 26)
	97014817	(L400)
	97014819	(L500)
	97014821	(L700)
	97014883	(L400C)
	97014884	(L500C)
	97014885	(L700C)
	97014893	(L400EX)
	97014894	(L500EX)
	97014895	(L700EX)
27	98009463	Grille
28	99420470	Écrou de grille (4 oblig.)
29	99150472	Vis de fixation de grille (4 oblig.)
30	99150591	Vis, 10-16 x 7/8 (4 oblig.)

PIÈCES DE RECHANGE



Commander les pièces de rechange par numéro de référence et non à l'aide du numéro de légende.

* Visserie standard - peut être achetée localement.