



# KING KING CANADA

## OSCILLATING SPINDLE SANDER



MODEL: KC-701C

# INSTRUCTION MANUAL

COPYRIGHT © 2019 ALL RIGHTS RESERVED BY KING CANADA TOOLS INC.

# WARRANTY INFORMATION



**2-YEAR  
LIMITED WARRANTY  
FOR THIS OSCILLATING SPINDLE SANDER**

**KING CANADA TOOLS  
OFFERS A 2-YEAR LIMITED WARRANTY  
INTENDED FOR COMMERCIAL USE**

## **PROOF OF PURCHASE**

Please keep your dated proof of purchase for warranty and servicing purposes.

## **PARTS DIAGRAM & PARTS LISTS**

Refer to the Parts section of the King Canada web site for the most updated parts diagram and parts list.

## **REPLACEMENT PARTS**

Replacement parts for this product are available at our authorized King Canada service centres across Canada. Please use the 10 digit part numbers listed in this manual for all part orders where applicable.

## **LIMITED TOOL WARRANTY**

King Canada makes every effort to ensure that this product meets high quality and durability standards. King Canada warrants to the original retail consumer a 2-year limited warranty as of the date the product was purchased at retail and that each product is free from defects in materials. Warranty does not apply to defects due directly or indirectly to misuse, abuse, normal wear and tear, negligence or accidents, repairs done by an unauthorized service centre, alterations and lack of maintenance. King Canada shall in no event be liable for death, injuries to persons or property or for incidental, special or consequential damages arising from the use of our products.

To take advantage of this limited warranty, return the product at your expense together with your dated proof of purchase to an authorized King Canada service centre. Contact your retailer or visit our web site at [www.kingcanada.com](http://www.kingcanada.com) for an updated listing of our authorized service centres. In cooperation with our authorized service centre, King Canada will either repair or replace the product if any part or parts covered under this warranty which examination proves to be defective in workmanship or material during the warranty period.

## **NOTE TO USER**

This instruction manual is meant to serve as a guide only. Specifications and references are subject to change without prior notice.

**KING CANADA INC. DORVAL, QUÉBEC, CANADA H9P 2Y4**

**[www.kingcanada.com](http://www.kingcanada.com)**



# GENERAL & SPECIFIC SAFETY RULES

## 1. KNOW YOUR TOOL

Read and understand the owners manual and labels affixed to the tool. Learn its application and limitations as well as its specific potential hazards.

## 2. GROUND THE TOOL.

This tool is equipped with an approved 3-conductor cord and a 3-prong grounding type plug to fit the proper grounding type receptacle. The green conductor in the cord is the grounding wire. **NEVER** connect the green wire to a live terminal.

## 3. KEEP GUARDS IN PLACE.

Keep in good working order, properly adjusted and aligned.

## 4. REMOVE ADJUSTING KEYS AND WRENCHES.

Form habit of checking to see that keys and adjusting wrenches are removed from tool before turning it on.

## 5. KEEP WORK AREA CLEAN.

Cluttered areas and benches invite accidents. Make sure the floor is clean and not slippery.

## 6. AVOID DANGEROUS ENVIRONMENT.

Don't use power tools in damp or wet locations or expose them to rain. Keep work area well lit and provide adequate surrounding work space.

## 7. KEEP CHILDREN AWAY.

All visitors should be kept a safe distance from work area.

## 8. MAKE WORKSHOP CHILD-PROOF.

-with padlocks, master switches or by removing starter keys.

## 9. USE PROPER SPEED.

A tool will do a better and safer job when operated at the proper speed.

## 10. USE RIGHT TOOL.

Don't force the tool or the attachment to do a job for which it was not designed.

## 11. WEAR PROPER APPAREL.

Do not wear loose clothing, gloves, neckties or jewelry (rings, watch) because they could get caught in moving parts. Non-slip footwear is recommended. Wear protective hair covering to contain long hair. Roll up long sleeves above the elbows.

## 12. ALWAYS WEAR SAFETY GLASSES.

Always wear safety glasses (ANSI Z87.1). Everyday eye-glasses only have impact resistant lenses, they are **NOT** safety glasses. Also use a face or dust mask if cutting operation is dusty.

## 13. DON'T OVERREACH.

Keep proper footing and balance at all times.

## 14. MAINTAIN TOOL WITH CARE.

Keep tools sharp and clean for best and safest performance. Follow instructions for lubricating and changing accessories.

## 15. DISCONNECT TOOLS.

Before servicing, when changing accessories or attachments.

## 16. AVOID ACCIDENTAL STARTING.

Make sure the switch is in the "OFF" position before plugging in.

## 17. USE RECOMMENDED ACCESSORIES.

Consult the manual for recommended accessories. Follow the instructions that accompany the accessories. The use of improper accessories may cause hazards.

## 18. NEVER STAND ON TOOL.

Serious injury could occur if the tool tips over. Do not store materials such that it is necessary to stand on the tool to reach them.

## 19. CHECK DAMAGED PARTS.

Before further use of the tool, a guard or other parts that are damaged should be carefully checked to ensure that they will operate properly and perform their intended function. Check for alignment of moving parts, breakage of parts, mounting, and any other conditions that may affect its operation. A guard or other parts that are damaged should be properly repaired or replaced.

## 20. NEVER LEAVE MACHINE RUNNING UNATTENDED.

Turn power "OFF". Don't leave any tool running until it comes to a complete stop.

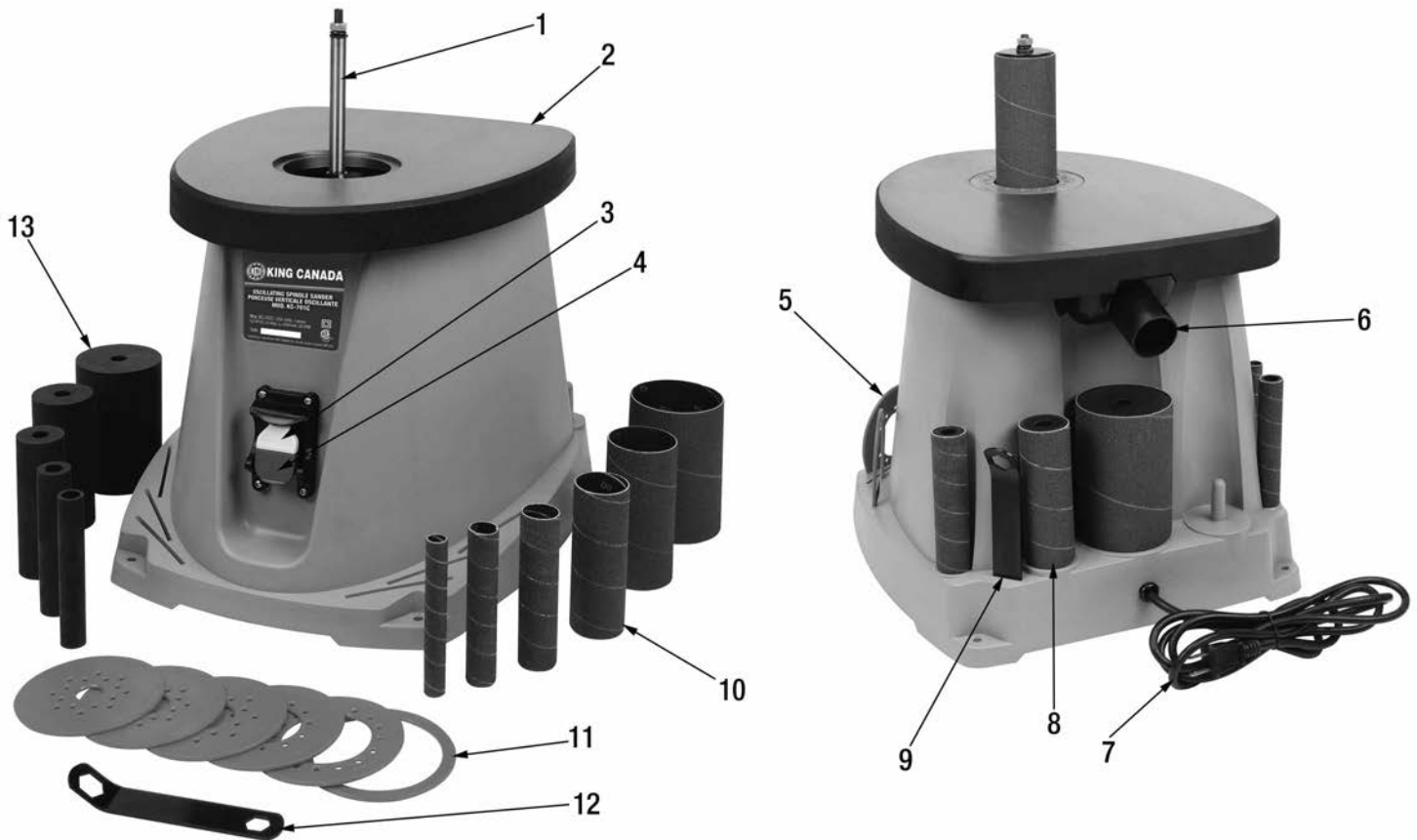
---

## SPECIFIC SAFETY RULES FOR SPINDLE SANDERS

Safety is a combination of common sense, staying alert and knowing how your spindle sander works. Read and understand instruction manual and the following safety rules before operating.

- 1) Wear eye protection.
- 2) Do not use in rain or use in damp locations.
- 3) Support workpiece on work table.
- 4) Learn the use and function of the On/Off switch and safety key.
- 5) Place the spindle sander on a firm level surface where there is plenty of room for handling and supporting workpiece.
- 6) Select a drum size that is smaller than the curve to be sanded.
- 7) Use an insert plate that comes closest to the drum size without touching it.
- 8) Make sure the spindle is properly positioned in taper sleeve socket using the wrench provided, tighten the nut. NOTE: Never over tighten, it may be difficult to remove the spindle later.
- 9) Before leaving the machine, remove any particles or workpieces from the table.

# GETTING TO KNOW YOUR OSCILLATING SPINDLE SANDER



## Getting to know your Spindle Sander

- |  |  |
|--|--|
| <ul style="list-style-type: none"> <li>1) 1/2" spindle</li> <li>2) Cast-iron table</li> <li>3) On/Off switch safety key</li> <li>4) On/Off switch</li> <li>5) Table insert storage (front of machine)</li> <li>6) 1-1/2" dust port</li> <li>7) Power cord</li> </ul> | <ul style="list-style-type: none"> <li>8) Drum &amp; sanding sleeve storage</li> <li>9) Adjustment wrench storage</li> <li>10) Sanding sleeves- 80 grit (6 pcs.)</li> <li>11) Table inserts (1/2", 3/4", 1", 1-1/2", 2" and 3")</li> <li>12) Adjustment wrench</li> <li>13) Drums (3/4", 1", 1-1/2", 2" and 3")</li> </ul> |
|--|--|

## Spindle Sander Specifications

MODEL	KC-701C
Oscillations per minute	58
Oscillations stroke	5/8"
Spindle drums diameter	3/4" - 3"
Spindle length & diameter	4-1/2" x 1/2"
Spindle speed	2,000 RPM
Table size	14-3/4" x 12"
Dust hood outlet diameter	1-1/2"
Motor	3.5 Amp.
Voltage	120V, 1 phase, 60 Hz
Assembled dimensions (LxWxH)/weight	13-3/4" x 15-3/4" x 18" / 27 lbs
Package dimensions (LxWxH)/weight	18-1/8" x 15-3/4" x 20-1/2" / 31 lbs



# ELECTRICAL INFORMATION

## WARNING!

ALL ELECTRICAL CONNECTIONS MUST BE DONE BY A QUALIFIED ELECTRICIAN. FAILURE TO COMPLY MAY RESULT IN SERIOUS INJURY! ALL ADJUSTMENTS OR REPAIRS MUST BE DONE WITH THE MACHINE DISCONNECTED FROM THE POWER SOURCE. FAILURE TO COMPLY MAY RESULT IN SERIOUS INJURY!

**WARNING:** The warnings, cautions, and instructions discussed in this instruction manual cannot cover all possible conditions and situations that may occur. It must be understood by the operator that common sense and caution are factors which cannot be built into this product, but must be supplied by the operator. Performance of this tool may vary depending on variations in local line voltage. Extension cord usage may also affect tool performance.

### VOLTAGE WARNING

Before connecting the tool to a power source (receptacle, outlet, etc.) be sure the voltage supplied is the same as that specified on the nameplate of the tool. If one says 120V and the other says 115V then there will be no complications. Never try to plug a 120V tool into a 240V outlet, or the other way around. A voltage greater than that specified on the tool can result in **SERIOUS INJURY** to the user, as well as damage to the tool. If in doubt, **DO NOT PLUG IN THE TOOL.**

**WARNING:** YOUR SPINDLE SANDER MUST BE CONNECTED TO A 120V, 15-AMP, BRANCH CIRCUIT BREAKER. FAILURE TO CONNECT IN THIS WAY CAN RESULT IN INJURY FROM SHOCK OR FIRE.

### DOUBLE INSULATION

Double insulated tools are equipped with a polarized two-prong plug (one blade is wider than the other). This plug will fit in a polarized outlet only one way. If the plug does not fit fully into the outlet, reverse the plug. If it still does not fit, contact a qualified electrician to install a polarized outlet. Do not alter or change the plug in any way. Double insulation eliminates the need for three wire grounded power supply and grounded power cords.

### EXTENSION CORDS

Improper use of extension cords may cause inefficient operation of your tool which can result in overheating. Be sure your extension cord is rated to allow sufficient current flow to the motor. If you are using the tool outdoors, use an extension cord rated for outdoor use (signified by "WA" on the jacket).

The extension cord must have a minimum wire size depending on the amperage of the tool and the length of the extension cord. This size is determined by its AWG (American Wire Gauge) rating. The smaller the gauge, the greater the cable's capacity. The amount of cords used does not matter: Total length determines the minimum AWG rating. Every cord must meet the AWG rating. Use the chart in Fig.2 to determine what AWG rating is required for your situation.

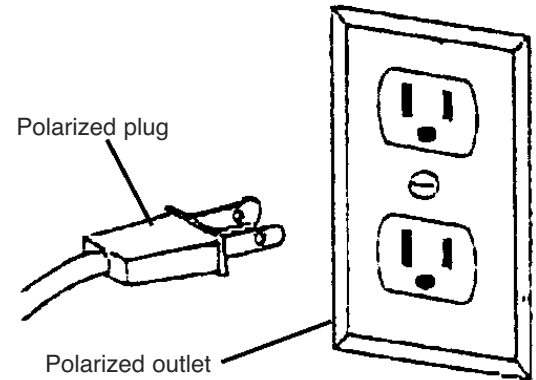


FIGURE 1

Tool's Amperage Rating	Cord Size in A.W.G.			
	Cord Length in Feet			
	25	50	100	150
3-6	18	16	16	14
6-8	18	16	14	12
8-10	18	16	14	12
10-12	18	16	14	12
12-16	14	12	-	-

FIGURE 2

# ASSEMBLY



**WARNING!** IF ANY PART IS MISSING OR DAMAGED, DO NOT PLUG THE SPINDLE SANDER IN UNTIL YOU HAVE REPLACED THE MISSING OR DAMAGED PART. For your safety, complete the assembly of the Spindle Sander before plugging it into the power supply.

## MOUNTING SPINDLE SANDER TO WORKBENCH

For your safety, it is recommended to mount the Spindle Sander to a workpiece or a fixed surface. This would avoid any chance of the Spindle sander from tipping over during an operation. 4 mounting holes (A) Fig.3 are provided to mount Spindle Sander to a workpiece. Mounting hardware is not included.

## INSTALLING DRUMS & SANDING SLEEVES ON 1/2" SPINDLE

1. Slide the large 2-3/4" washer (A) Fig.4 onto the 1/2" spindle (B) as shown.

**Note:** The drum and sanding sleeve size to use is determined by the work area of your workpiece. For these instructions we will be installing the 2" drum and sanding sleeve.

2. Slide the 2" diameter drum (A) Fig.5 onto the 1/2" spindle (B) until it contacts the large 2-3/4" washer (A) Fig.4.

3. Slide the matching 2" sanding sleeve (C) Fig.5 over the 2" drum (A) until it contacts the large 2-3/4" washer (A) Fig.4.

**Note:** No drum is used with the 1/2" sanding sleeve. If you desire to use the 1/2" sanding sleeve, simply slide it onto the 1/2" spindle and secure it in place with the washer, spring washer and hex. nut.

4. Position the matching washer(s) (D, E or F) Fig.5, and spring washer (G) over the drum by sliding it onto the 1/2" spindle.

### Washers to use with drum/sleeve combo (Fig.5):

- 1/2" sleeve (no drum)- Use washer (D) Fig.5 and spring washer (G).
- 3/4" drum/sleeve- Use washer (E) Fig.5, washer (D) and spring washer (G).
- 1" drum/sleeve- Use washer (E) Fig.5, washer (D) and spring washer (G).
- 1-1/2" drum/sleeve- Use washer (E) Fig.5, washer (D) and spring washer (G).
- 2" drum/sleeve- Use washer (F) Fig.5, washer (D) and spring washer (G).
- 3" drum/sleeve- Use washer (F) Fig.5, washer (D) and spring washer (G).

5. Install the hex. nut (H) Fig.5 onto the 1/2" spindle. It is important to tighten the hex. nut enough to compress the drum, this will make the drum expand and grip the sanding sleeve. Hold the drum/sleeve combo while you tighten to prevent the spindle from turning.

**Note:** When using the 1/2" sanding sleeve (without a drum), it is not necessary to overly tighten the hex. nut. Tighten hex. nut just enough to prevent the sanding sleeve from sliding upwards.

6. Once the drum/sleeve combo is properly installed as shown in Fig.6, slide the matching table insert (A) Fig.6, position it in the recessed opening of the table as shown.



FIGURE 3

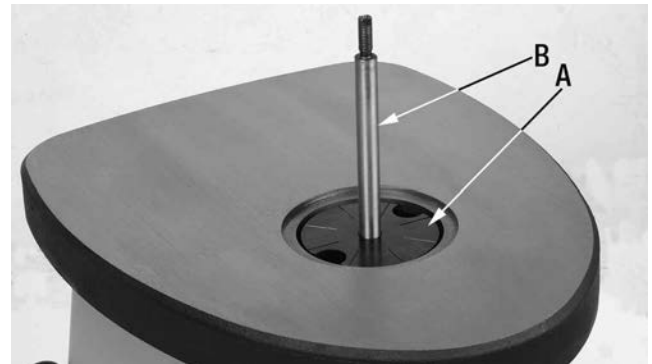


FIGURE 4

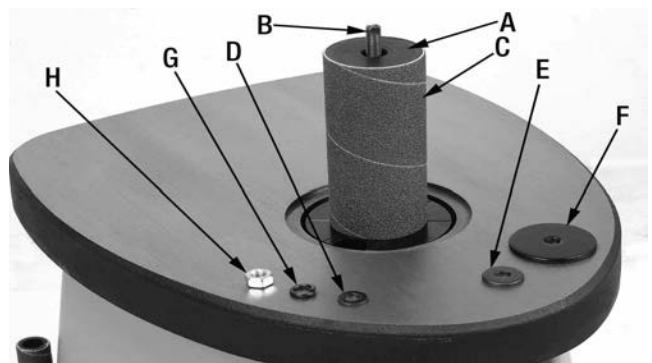


FIGURE 5

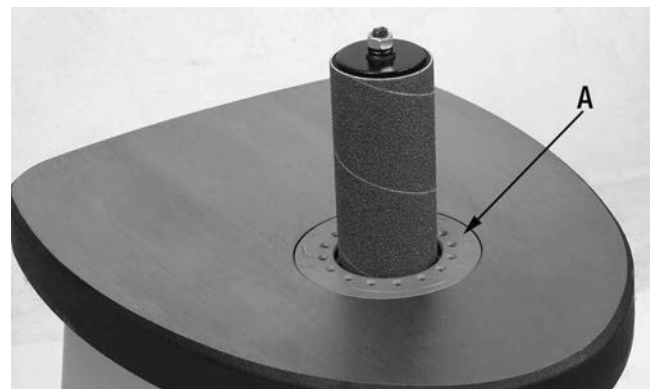


FIGURE 6



# OPERATION & MAINTENANCE

## TURNING THE SPINDLE SANDER ON/OFF

This Spindle Sander comes with an On/Off switch (A) Fig.7 which starts and stops the machine. To turn the Spindle Sander on, lift the switch upwards as shown. To stop the Spindle Sander, simply push on the switch.

The On/Off switch comes with a removable safety key (B) Fig.7. When the safety key is removed from the switch and placed in a safe location, unauthorized persons or children can't turn the switch to the On position. It is recommended to always remove the safety key from the switch whenever the Spindle Sander is not in use.

## DUST COLLECTION

This Spindle Sander comes with a 1-1/2" dust chute (A) Fig.8 at the rear of the machine allowing for the connection to a shop vacuum or with the combination of adaptors (not included) for connection to a dust collector.

## BASIC OPERATION

1. Select and install a sanding drum/sleeve combo that is smaller than the curve to be sanded.
2. Use an appropriate table insert plate that comes closest to the sanding drum/sleeve combo without touching it.
3. Make sure the drum/sleeve combo is properly installed.
4. Hold the workpiece firmly on the table and work from a stable standing position.
5. The spindle rotates counterclockwise. Place workpiece in contact with the sanding sleeve at the leftmost point of the work area. Move workpiece to the left, against the direction of rotation. Going against the direction of rotation will prevent workpiece kickback.
6. To achieve the best finish results and to ensure maximum sanding sleeve life, slowly move the workpiece back and forth across the entire surface of the sanding drum/sleeve combo.

## MAINTENANCE

**WARNING!** FOR YOUR OWN SAFETY, TURN THE SWITCH OFF AND REMOVE THE PLUG FROM THE POWER SOURCE BEFORE PERFORMING MAINTENANCE, CLEANING OR LUBRICATION WORK ON THE SPINDLE SANDER.

## CLEANING/LUBRICATING

1. Blow out dust accumulation inside the motor, housing, and dust chute frequently.
2. A coat of automotive wax applied to the table will help keep the surface clean, it will also ensure that moisture from the wood does not remain on bare metal surfaces which can cause rust.
3. No lubrication is required for the bearings, they are permanently lubricated.

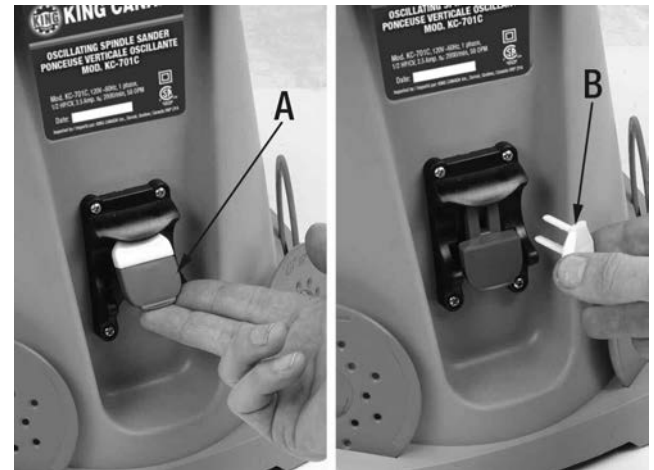


FIGURE 7

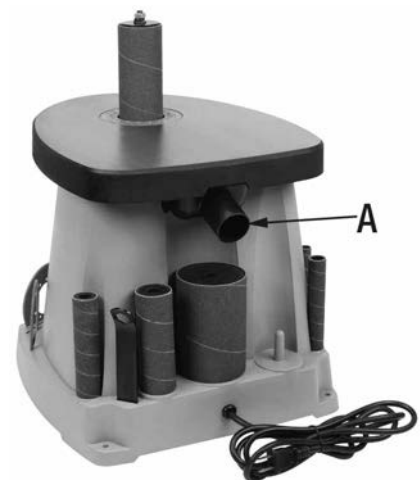


FIGURE 8