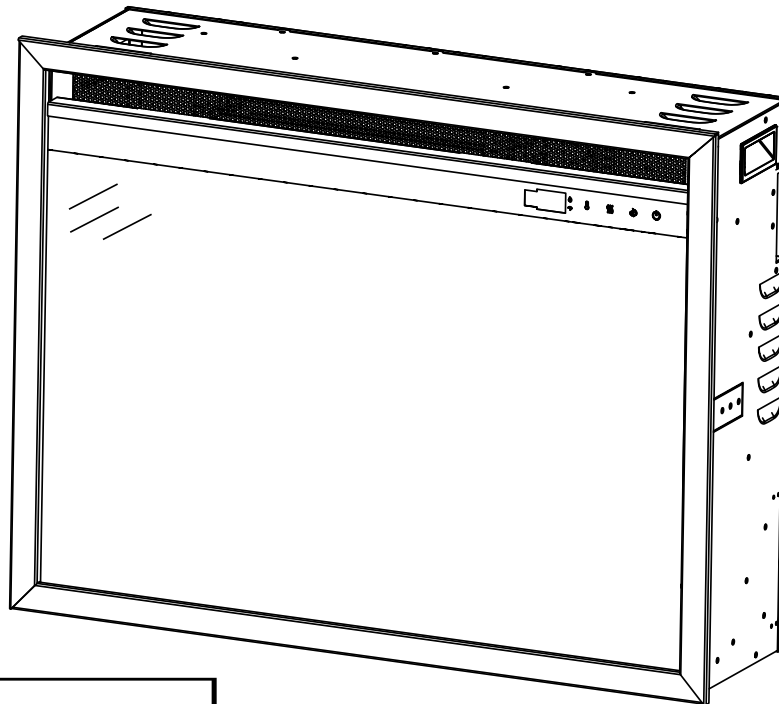




# INSTALLATION AND OPERATION MANUAL

## Cineview™ Electric Appliance

(NEFB26H Illustrated)



### SAFETY INFORMATION

#### **⚠ WARNING**

#### **FIRE OR EXPLOSION HAZARD**

If the information in these instructions are not followed exactly, a fire or explosion may result causing property damage, personal injury, or loss of life.

- Do not store or use gasoline or other flammable vapors and liquids in the vicinity of this or any other appliance.

#### **INSTALLER:**

Leave this manual with the appliance

#### **CONSUMER:**

Retain this manual for future reference



**This appliance has a remote that requires button batteries that are hazardous to young children.**

### FOR INDOOR USE ONLY

**CERTIFIED TO THE CANADIAN AND AMERICAN NATIONAL STANDARDS:  
CSA C22.2 NO. 46 / UL 2021**



Wolf Steel Ltd., 24 Napoleon Rd., Barrie, ON, L4M 0G8 Canada / 103 Miller Drive, Crittenden, Kentucky, USA, 41030  
Phone 1 (866) 820-8686 • www.napoleon.com • hearth@napoleon.com

**! WARNING**

- **If equipped with a heater, this appliance can be hot when operated and can cause severe burns if contacted.**
- Do not operate appliance before reading and understanding operating instructions. Failure to operate appliance according to operating instructions could cause fire or injury.
- Do not install damaged, incomplete or substitute components.
- Do not burn wood or other materials in this appliance.
- All electric appliances have hot and arcing or sparking parts inside. Do not use it in areas where a gas line, paint or flammable liquids are present.
- Any safety screen or guard removed for servicing must be replaced prior to operating the appliance.
- It is imperative that the control compartments, circulating blower and its passageway in the appliance are kept clean. The appliance should be inspected before use and at least annually by a qualified service person. More frequent cleaning may be required due to excessive lint from carpeting, bedding material, etc. The appliance area must be kept clear and free from combustible materials, gasoline and other flammable vapors and liquids.
- Under no circumstances should this appliance be modified.
- Do not use this appliance if any part has been under water. Immediately call a qualified service technician to inspect the appliance and to replace any part of the control system which has been under water.
- If equipped with a glass door, do not operate the appliance with the glass door removed, cracked or broken. Replacement of the glass should be done by a licensed or qualified service person. Do not strike or slam shut the appliance glass door.
- Keep the packaging material out of reach of children and dispose of the material in a safe manner. As with all plastic bags, these are not toys and should be kept away from children and infants.
- Servicing should be done only while the appliance is disconnected from the power supply circuit.
- Always unplug appliance when not in use.
- Do not operate this appliance with a damaged cord or plug after the appliance malfunctions, has been dropped or damaged in any manner. Return appliance to authorized service facility for examination, electrical or mechanical adjustment, or repair.
- Do not use outdoors.
- When installing this appliance in a room where water is present, the installation must comply with codes recognizing the increased hazard of electrical shock and electrocution.

**note:**

Never locate this electric appliance where it may fall into a bathtub or other water container.


- Do not run cord under carpeting. Do not cover cord with throw rugs, runners, or the like. Arrange cord away from traffic area and where it will not be tripped over.
- Connect to properly grounded outlets only.
- Do not insert or allow foreign objects to enter any ventilation or exhaust opening as this may cause an electric shock or fire, or damage the appliance.
- It is normal for your electric appliance to produce noise, especially when installed in a quiet space such as a bedroom.

 **WARNING**

- To prevent a possible fire, do not block air intakes or exhaust in any manner. Do not use on soft surfaces, like a carpet, where openings may become blocked.
- Always plug appliances directly into a wall outlet/receptacle. Never use an extension cord or relocatable power tap (outlet/power strip).
- These appliances are tested and listed for use only with the optional accessories listed in these instructions. Use of optional accessories not specifically tested for this appliance could void the warranty and/or result in a safety hazard.

**For appliances equipped with a heater:**

- Risk of burns. Power to the appliance should be turned off and the appliance allowed to cool before servicing. To disconnect power to the appliance, turn controls to off, then remove plug from outlet.
- Young children should be carefully supervised when they are in the same room as the appliance. Toddlers, young children and others may be susceptible to accidental contact burns. A physical barrier is recommended if there are at risk individuals in the house. To restrict access to an appliance or stove, install an adjustable safety gate to keep toddlers, young children and other at risk individuals out of the room and away from hot surfaces.
- Clothing or other flammable material should not be placed on or near the appliance.
- Due to high temperatures, the appliance should be located out of traffic and away from furniture and draperies.
- Ensure you have incorporated adequate safety measure to protect infants/toddlers from touching hot surfaces.
- Even after the appliance is off, the glass and/or screen will remain hot for an extended period of time.
- Check with your local hearth specialty dealer for safety screens and hearth guards to protect children from hot surfaces. These screens and guards must be fastened to the floor.
- Ensure clearances to combustibles are maintained when building a mantel or shelves above the appliance. Elevated temperatures on the wall or in the air above the appliance can cause melting, discolouration or damage to decorations, a TV or other electronic components.

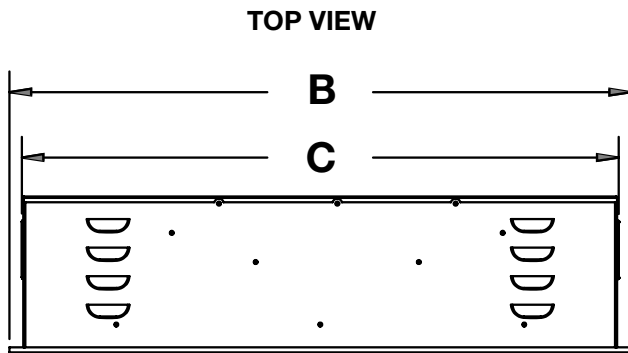
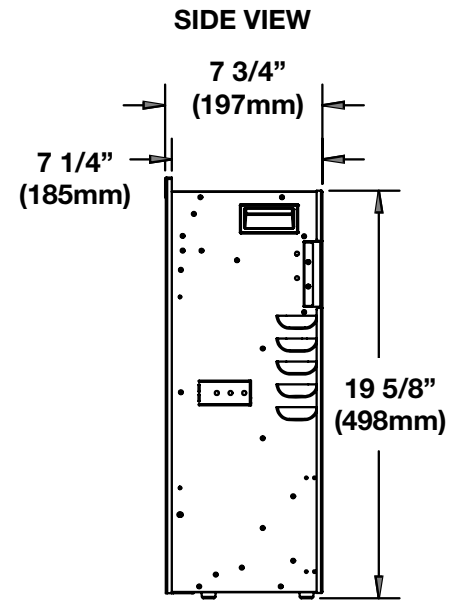
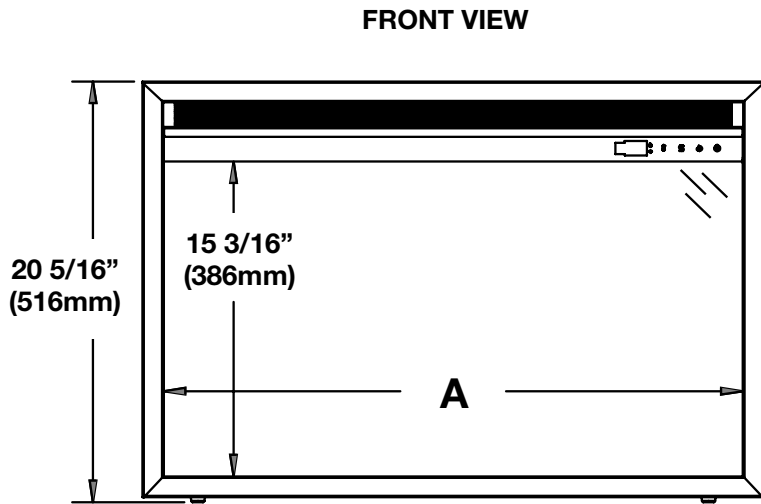
 **WARNING:** This product can expose you to chemicals including lead and lead compounds, which are known to the State of California to cause cancer, and chemicals including BBP and DEHP, which are known to the State of California to cause birth defects or other reproductive harm. For more information, go to [www.P65Warnings.ca.gov](http://www.P65Warnings.ca.gov).

<b>1.0</b>	<b>general information</b>	<b>5</b>
1.1	dimensions	5
1.2	hardware list	5
1.3	listing approvals	6
1.4	general instructions	6
1.5	unpacking and testing appliance	6
1.6	rating plate information	7
1.7	label location	7
<b>2.0</b>	<b>locating appliance</b>	<b>8</b>
2.1	grounding appliance	8
<b>3.0</b>	<b>installation</b>	<b>9</b>
3.1	minimum clearance to combustibles	9
3.2	minimum mantel clearances	9
3.3	rough framing	10
3.4	appliance installation and finishing	11
<b>4.0</b>	<b>electrical information</b>	<b>14</b>
4.1	120V cord plug installation	14
4.2	wiring diagram	14
4.3	hard-wiring installation	15
<b>5.0</b>	<b>finishing</b>	<b>16</b>
5.1	crystal installation	16
5.2	log, grate, and crystal installation	16
<b>6.0</b>	<b>operating instructions</b>	<b>17</b>
6.1	operating control panel	17
6.2	operating remote control	18
6.3	remote battery installation	20
<b>7.0</b>	<b>maintenance</b>	<b>20</b>
<b>8.0</b>	<b>replacement parts</b>	<b>21</b>
8.1	overview	22
<b>9.0</b>	<b>troubleshooting</b>	<b>23</b>
<b>10.0</b>	<b>warranty</b>	<b>25</b>

**note:**

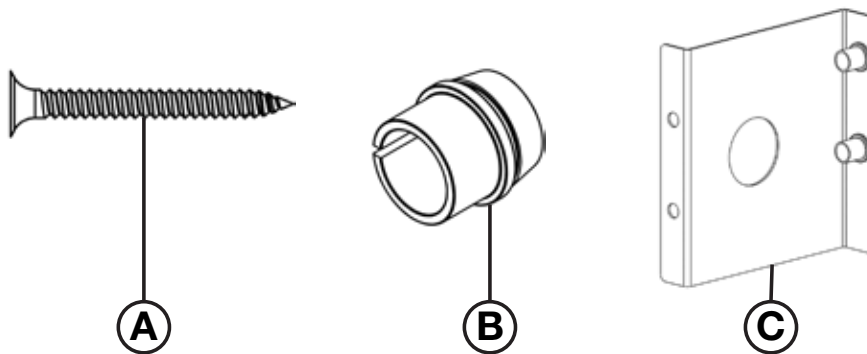
The information throughout this manual is believed to be correct at the time of printing. Wolf Steel Ltd. reserves the right to change or modify any information within this manual at any time without notice. Changes, other than editorial, are denoted by a vertical line in the margin.

1.1 dimensions



Ref.	NEFB26H	NEFB30H
<b>A</b>	23 15/16" (607mm)	27 15/16" (709mm)
<b>B</b>	26" (660mm)	30" (762mm)
<b>C</b>	24 3/4" (629mm)	28 13/16" (732mm)

1.2 hardware list



Ref.	Description	Quantity
A	Wood Screws	2
B	Strain Relief	1
C	Junction Box Cover Plate	1

# general information

## 1.3 listing approvals

This appliance has been tested in accordance with the CSA Standards for fixed and location-dedicated electric room appliances in the United States and Canada. If you need assistance during installation, please contact your local dealer.

**note:**

This appliance must be electrically wired and grounded in accordance with local codes or, in the absence of local codes, with the latest edition of the National Electrical Code ANSI/NFPA 70 in the United States or the Canadian Electrical Code CSA C22.1 in Canada.

Model No.	NEFB26H	NEFB30H
<b>Description</b>	26" Electric Appliance	30" Electric Appliance
<b>Voltage</b>	120V	
<b>Watts</b>	1465W	
<b>Amps</b>	<b>Dedicated</b> 15 AMP Grounded Circuit	
<b>Appliance Width</b>	26" (660mm)	30" (762mm)
<b>Appliance Height</b>	20 5/16" (516mm)	
<b>Appliance Depth</b>	7 3/4" (197mm)	
<b>Net Weight</b>	37.5 lbs (17.0 kg)	41.9 lbs (19.0 kg)
<b>Gross Weight</b>	46.3 lbs (21.0 kg)	51.4 lbs (23.3 kg)

## 1.4 general instructions

- Prior to plugging your appliance into an electrical outlet, verify that the house circuit breakers for the outlet are on.
- The appliance may emit a slight, harmless odour when first used. This odour is normal and it is caused by the initial heating of internal appliance elements and will not occur again.
- If your appliance does not emit heat when called for, consult the "operation" section of this manual for further information.
- Use with a CSA or UL certified surge protector.
- Do not route the power cord directly underneath the appliance.

This electric appliance meets the construction and safety standards of H.U.D. for application in manufactured homes when installed according to these instructions.

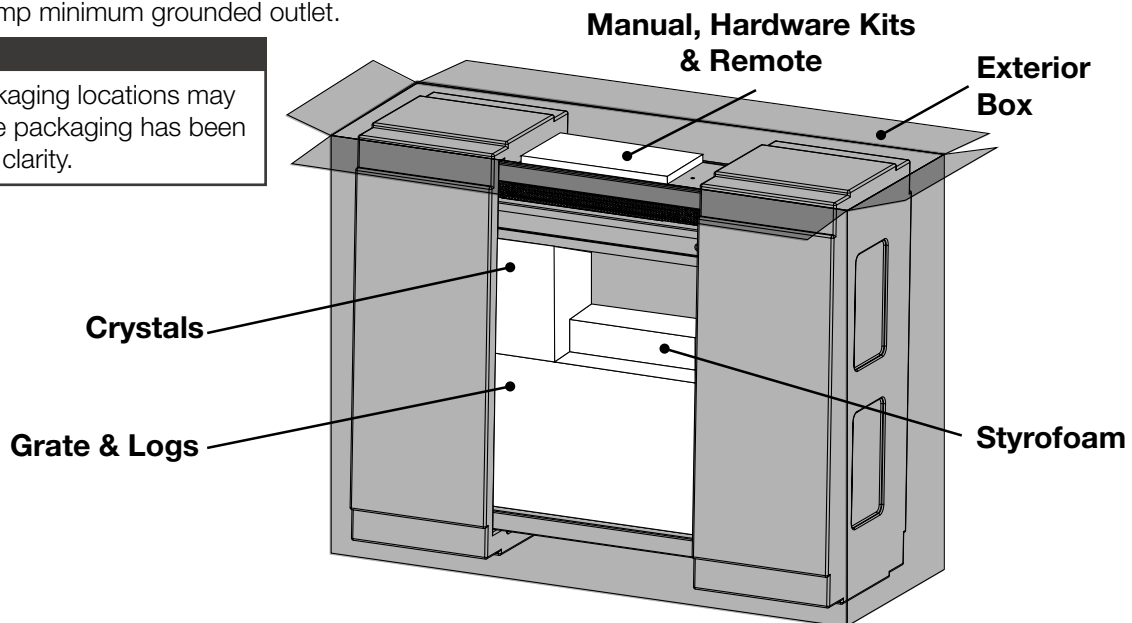
As with most electronic devices, your new electric appliance has been designed to operate at temperatures between 5°C (41°F) and 35° C (95°F). During the colder winter months, allow the appliance to reach room temperature before turning it on.

## 1.5 unpacking and testing appliance

Carefully remove the appliance from the box. Prior to installing the appliance, remove all packaging material and test to make sure the appliance operates properly by plugging the power supply cord into a conveniently located 120V, 15 Amp minimum grounded outlet.

**note:**

Exact packaging locations may vary. Some packaging has been hidden for clarity.



**1.6 rating plate information**

CERTIFIED UNDER CANADIAN AND AMERICAN NATIONAL STANDARD: CSA 22.2 NO. 46 AND UL 2021 /  
 HOMOLOGUÉ SELON LES NORMES NATIONALES CANADIENNES ET AMÉRICAINES: CSA 22.2 NO. 46 UL 2021

ELECTRIC FIREPLACE. SUITABLE FOR  
 BEDROOM AND BED-SITTING ROOM  
 INSTALLATION. SUITABLE FOR MOBILE  
 HOME INSTALLATION.

FOYER À ÉLECTRIQUE. HOMOLOGUÉ POUR  
 INSTALLATION DANS UNE CHAMBRE À  
 COUCHER, UNE SALLE DE BAIN ET UN STUDIO.  
 APPROPRIÉ POUR INSTALLATION DANS UNE  
 MAISON MOBILE.

**CSA** **UL**

MASTER CONTRACT: 161746      CONTRAT-CADRE: 161746

NEFB26H      MODEL       CEFB26H

**VOLTAGE:** 120V      **TENSION:** 120 V  
**FREQUENCY:** 60Hz      **FRÉQUENCE:** 60Hz  
**POWER:** 1465W      **PUISSANCE:** 1465W  
**DATE CODE:**      **CODE DE DATE:**

DESIGNED IN NORTH AMERICA      DÉSIGNÉ AMÉRIQUE DU NORD  
 BY WOLF STEEL LTD.      PAR WOLF STEEL LTD.  
 MADE IN CHINA      FABRIQUÉ EN CHINE

**WOLF STEEL LTD.**  
 24 NAPOLEON ROAD,  
 BARRIE, ON, L4M 0G8 CANADA

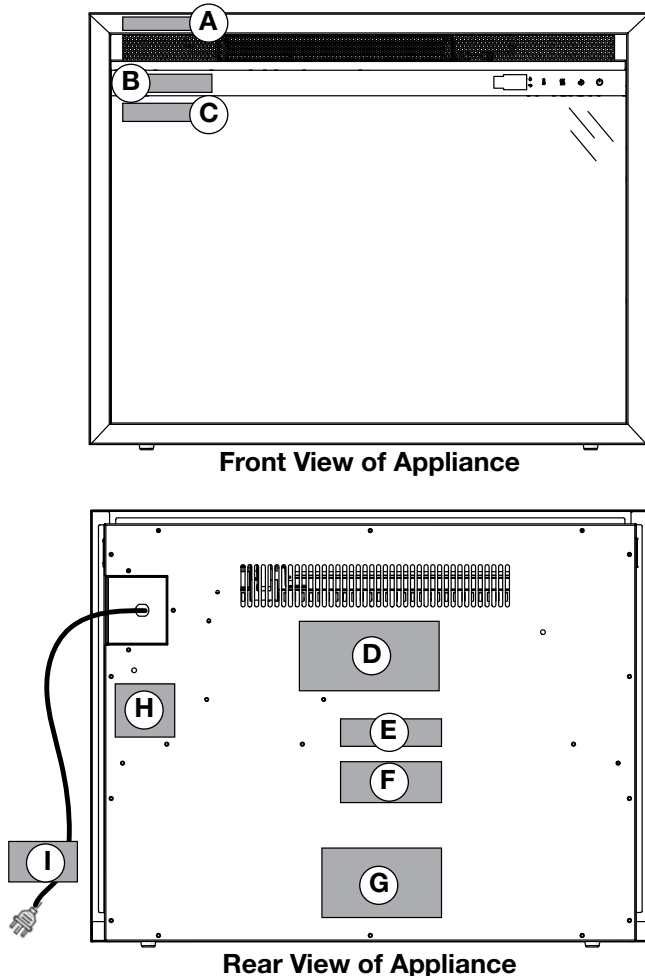
**SERIAL NUMBER/NO. DE SÉRIE:** **NEFB26H**      **W385-2533**

For rating plate location, see “label location” section.

This illustration is for reference only. Refer to the rating plate on the appliance for accurate information.

**note:**  
 The rating plate must remain with the appliance at all times. It must not be removed.

**1.7 label location**



Ref.	Part Number	Label Description
A	W385-2210	"Do Not Cover"
B *	N/A	Model & Serial Number
C	W385-2017	"Hot Surface"
D	W385-2533	Rating Plate (NEFB26H)
	W385-2552	Rating Plate (NEFB30H)
E	W385-1944	"Warning"
F	W385-1945	"Caution"
G	W385-2553	Wiring Diagram
H	W385-2554	Hard-Wiring Diagram
I	W385-1943	"Warning"

\* Located behind front glass on sheet metal.

## 2.0 locating appliance

### **!** WARNING

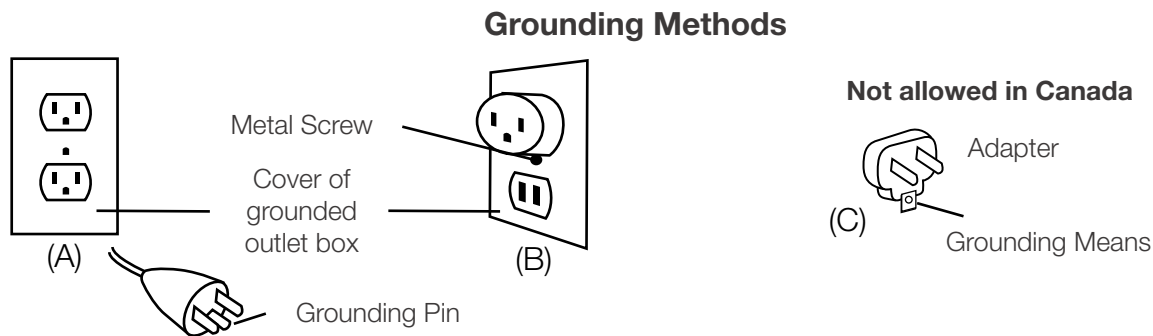
- Due to high temperatures, this electric appliance should be located out of traffic. Keep combustible materials such as furniture, pillows, bedding, papers, clothes and curtains at least 36" (91.4cm) from the front of the appliance.
- Never locate this electric appliance where it may fall into a bathtub or other water container.
- Wear safety gloves and safety glasses for protection during installation and maintenance.
- To prevent contact with sagging or loose insulation, the electric appliance must not be installed against vapor barrier or exposed insulation. Localized overheating could occur and a fire could result.
- Do not expose the electric appliance to the elements (such as rain, etc.).

### 2.1 grounding appliance

This appliance is for use on 120 volts. The cord has a plug as shown in (A). An adapter as shown in (C) is available for connecting three-blade grounding plugs to two-slot receptacles, as shown in (B).

The green grounding plug extending from the adapter must be connected to a permanent ground such as a properly grounded outlet box. The adapter should not be used if a three-slot grounded receptacle is available.

To disconnect the appliance, turn controls to off, then remove plug from outlet.



#### **note:**

This appliance must be connected to a dedicated 15 amp circuit. The use of an extension cord is NOT permitted.



## **! WARNING**

- Risk of fire! The power cord must not be pinched against a sharp edge. Secure cord to avoid tripping or snagging to reduce the risk of fire, electric shock, or personal injury. Do not run cord under carpeting. Do not cover cord with throw rugs, runners, or similar items. Arrange cord away from traffic areas and where it will not be tripped over.
- Risk of fire! To prevent a possible fire, do not block air intake or exhaust in any manner. Do not use on soft surfaces where openings may become blocked.
- Risk of fire! Do not blow or place insulation against the appliance.
- This electric appliance is tested and listed for use only with the approved optional accessories. Use of optional accessories not specifically tested for this electric appliance could void the warranty and/or result in a safety hazard.
- If the information in these instructions is not followed exactly, a fire or explosion may result causing property damage, personal injury, or death. Do not store or use gasoline or other flammable vapors in the vicinity of this or any other appliance.
- This appliance is heavy. It is highly recommended that two people install this appliance.
- If your appliance is equipped with a heater, ensure the heater vents cannot, in any way, be covered as it may create a fire hazard.
- Do not run the power cord horizontally, directly below the appliance.

Your NEFB26/30H is a recessed appliance. Select a suitable location that is not susceptible to moisture and is away from drapes, furniture and high traffic areas.

**note:**  
Follow all national and local electrical codes.

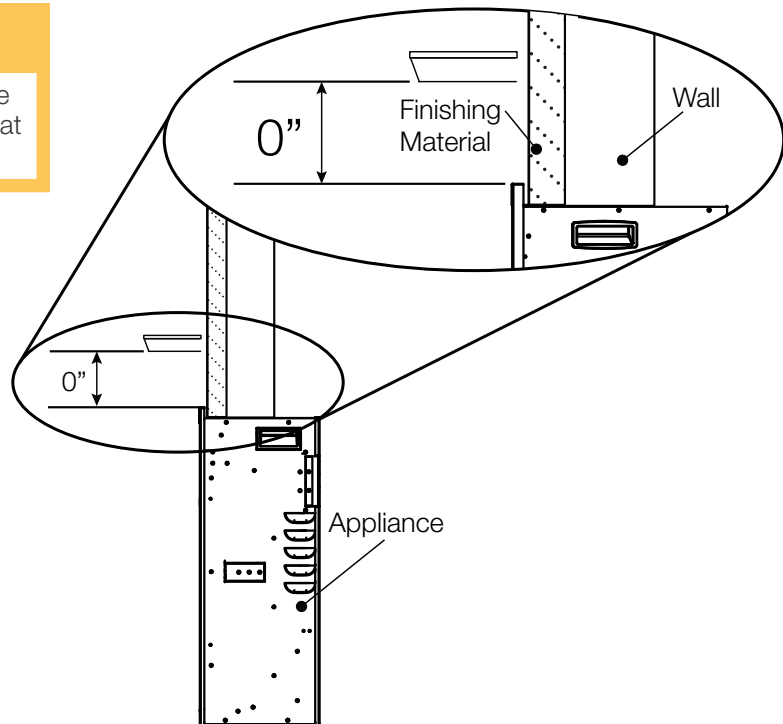
### 3.1 minimum clearance to combustibles

Measurements are taken from the adjacent surface.			
Bottom	0"	Top	0" to mantel
Sides	0"	Top	0" to ceiling
Back	0"		

### 3.2 minimum mantel clearances

## **! WARNING**

- When using paint or lacquer to finish the mantel, the paint or lacquer must be heat resistant to prevent discolouration.



## 3.3 rough framing

**! WARNING**

- Select a location that is not prone to moisture and is located at least 36" (91.4cm) away from combustible materials such as curtains, drapes, furniture, bedding, paper, etc.

**note:**

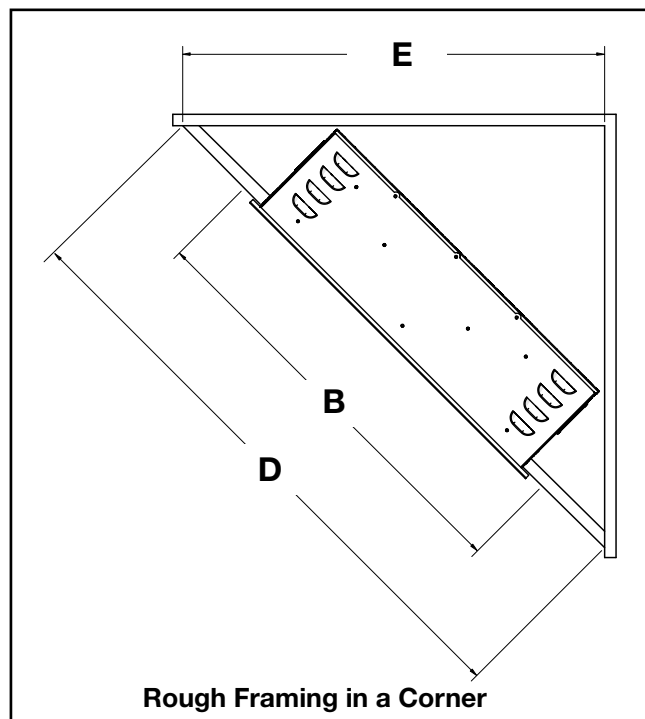
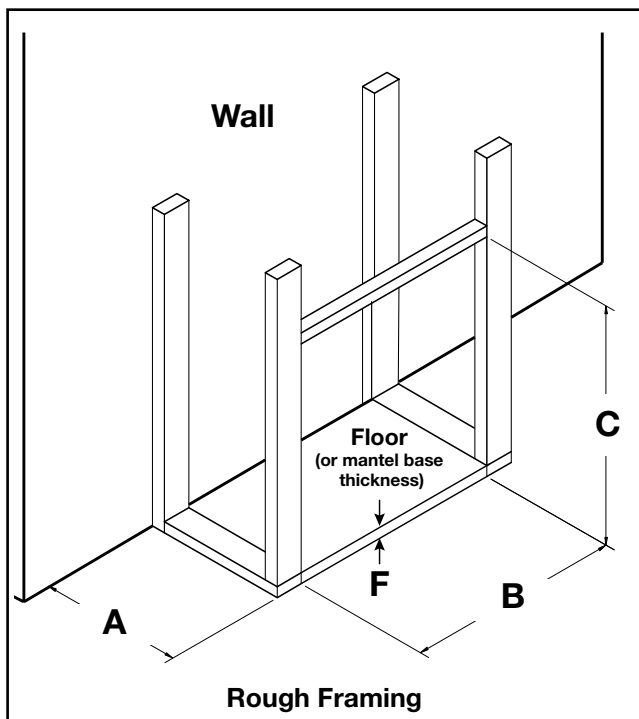
It is recommended to complete finishing of the wall before fully securing the appliance.

Once the rough framing and the finishing materials have been prepared and the power has been routed to the right side of the recess, the appliance may be installed.

The electrical connection must be made prior to placing the appliance into position (see "electrical information" section).

Have two people lift the appliance into position.

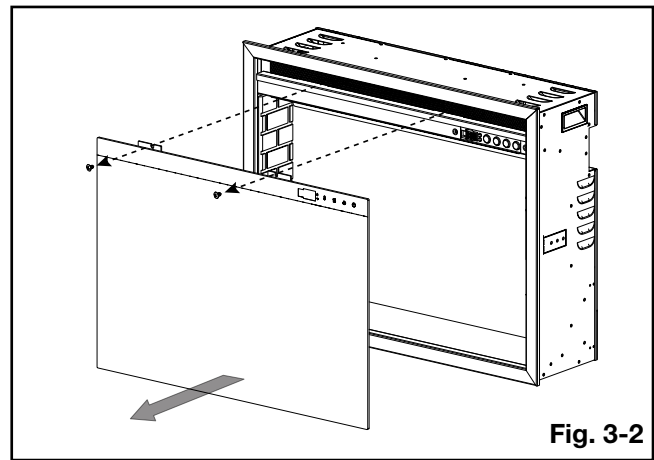
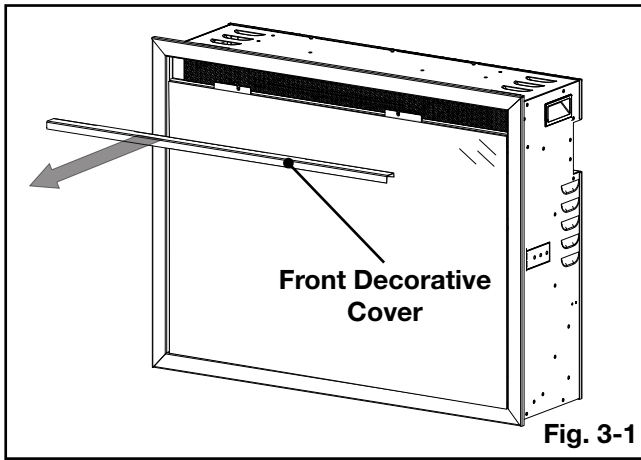
In order to avoid the possibility of exposed insulation or vapour barrier coming in contact with the appliance body, it is recommended that the walls of the appliance enclosure be "finished" (i.e. drywall / sheet rock, etc.) as you would finish any other outside wall of a home. This will ensure that clearance to combustibles is maintained within the enclosure.



Ref.	NEFB26H	NEFB30H
A	7 3/4" (197mm)	
B	25 1/4" (641mm)	29 1/4" (743mm)
C	19 7/8" (505mm) + F	
D	39 3/4" (1010mm)	43 3/4" (1111mm)
E	28" (710mm)	30 13/16" (783mm)
F	Will vary with floor / mantel base thickness	

### 3.4 appliance installation and finishing

1. Remove the front decorative cover held in place by 2 magnets (**Fig. 3-1**).
2. With one hand on the glass door to prevent it from falling, remove the 2 screws holding the glass door in place (**Fig. 3-2**). Remove the glass door, and then place it face down on a soft, non-abrasive surface.

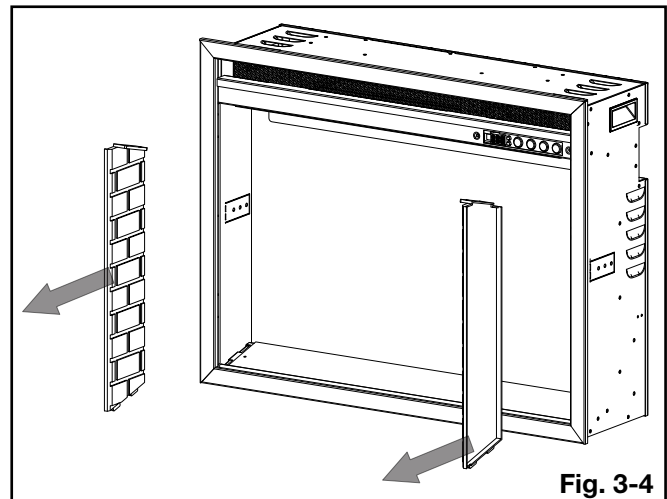
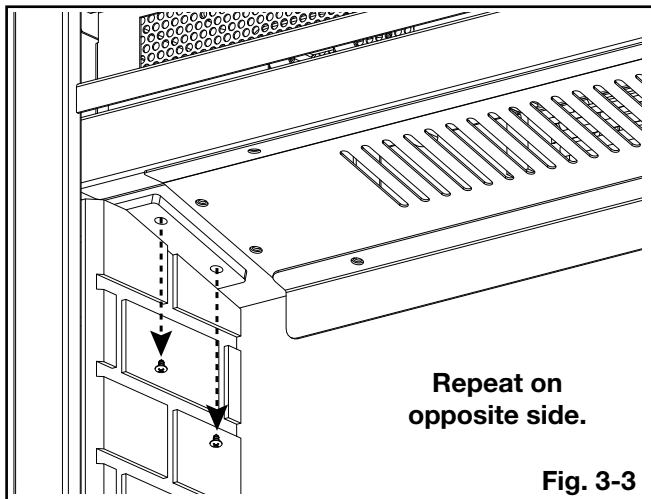


3. Remove all boxes packed inside the appliance (see "unpacking and testing appliance" section).

**note:**

If intending to recess the appliance into a wall or mantel and have it hard-wired, continue with steps 4-8. Otherwise, skip ahead to step 9.

4. Remove side brick panels by removing 2 screws from each side (**Fig. 3-3**). Set the screws and panels aside (**Fig. 3-4**).



5. Complete hard-wiring (see "electrical information" section).

**note:**

It is recommended to complete finishing of the wall before fully securing the appliance (**Fig. 3-5**).

6. Carefully lift the appliance into the finished framing (**Fig. 3-6**).

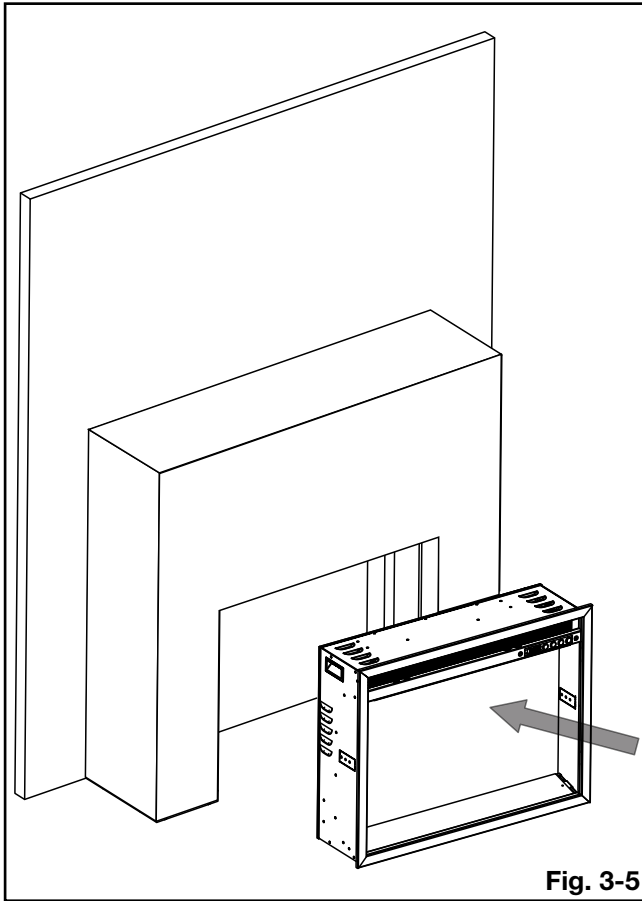


Fig. 3-5

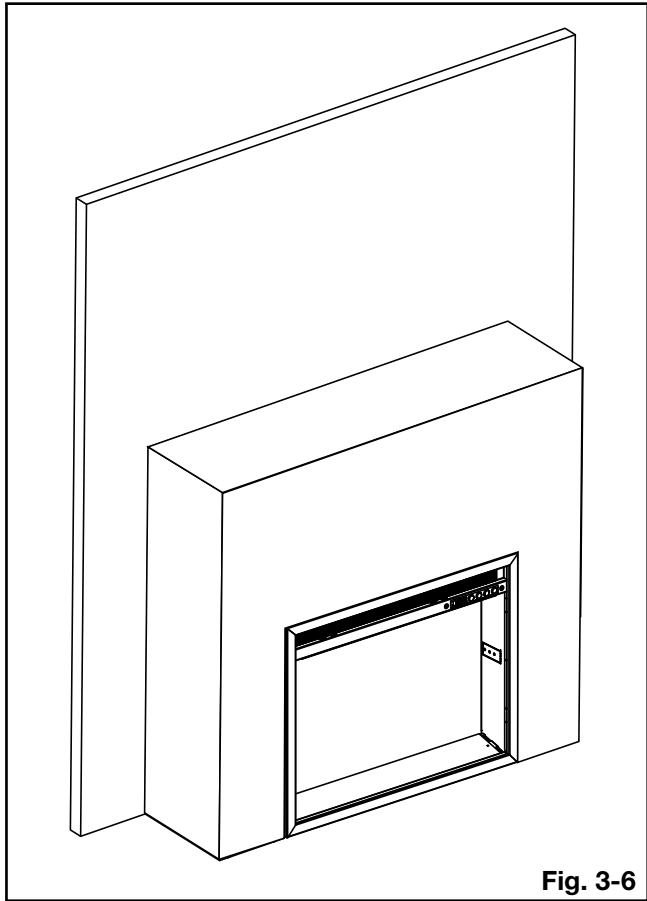


Fig. 3-6

7. Secure the appliance into the opening by installing 1 screw (supplied) through the mounting tab into the framing material, working from inside the appliance (**Fig. 3-7**). Repeat on the opposite side.

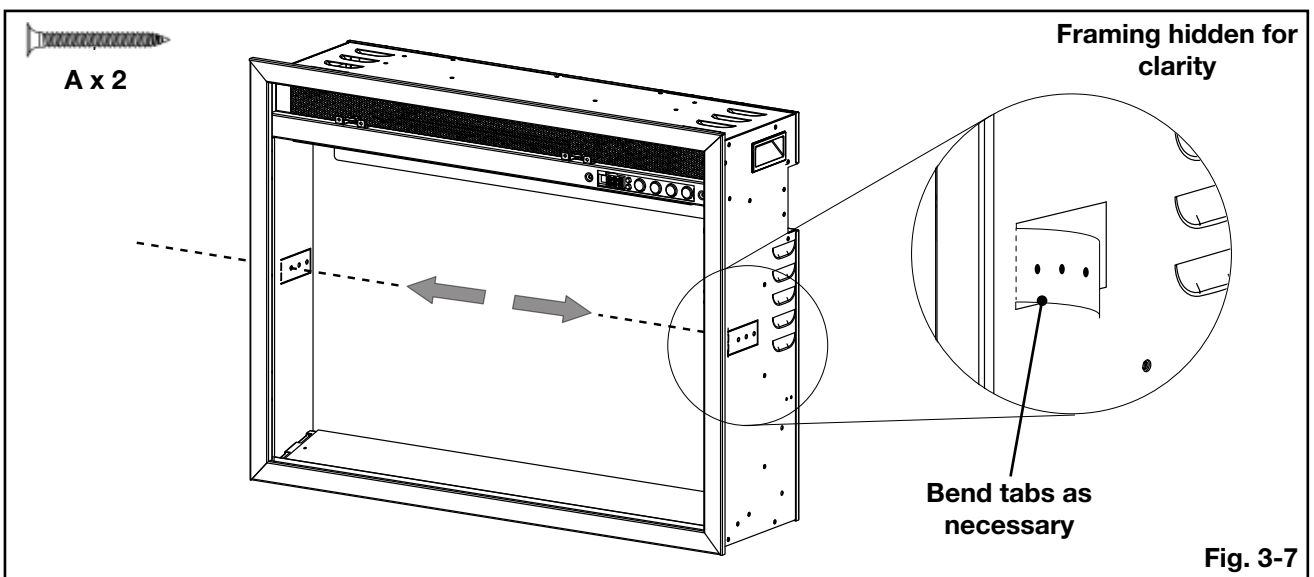
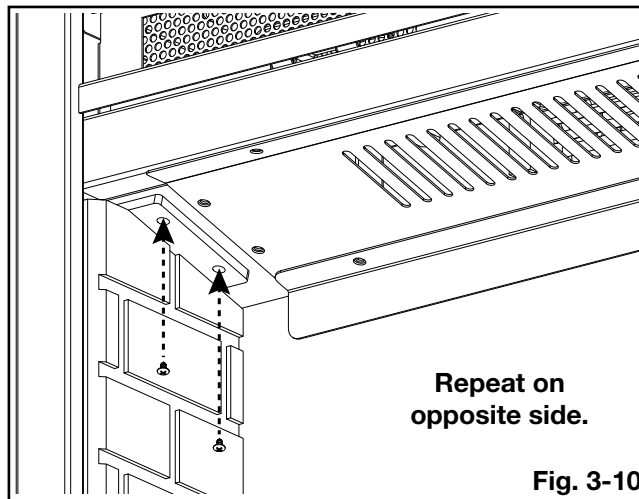
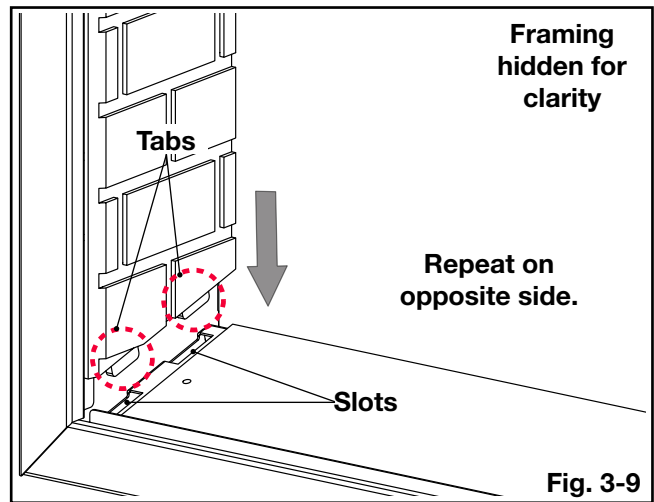
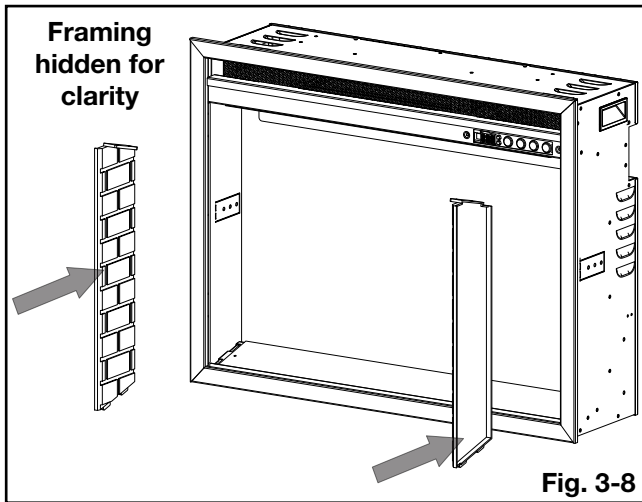


Fig. 3-7

8. Reinstall brick panels if they have been removed (**Fig. 3-8**). Ensure the tabs fit into the slots along the bottom of the firebox (**Fig. 3-9**) before securing the brick panels in place using the 2 screws previously removed in step 4 (**Fig. 3-10**).



9. Install media (see "finishing" section).
10. Reinstall the glass door.
11. Reinstall the front decorative cover held in place by 2 magnets.



### 4.3 hard-wiring installation

## **! WARNING**

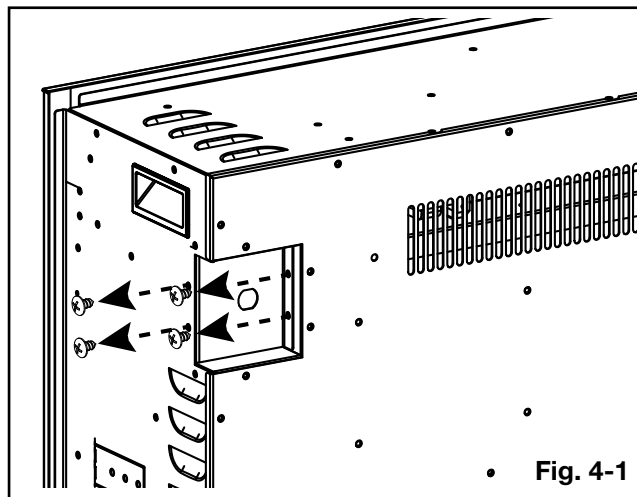
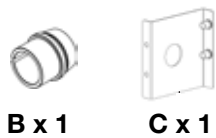
- Turn off the appliance completely and let cool before servicing. Only a qualified service person should service and repair this electric appliance.

### **HARD-WIRING CONNECTION**

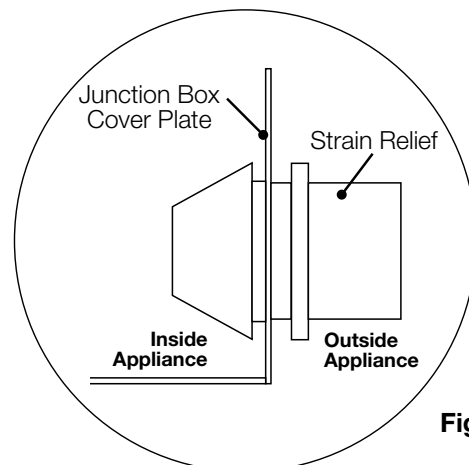
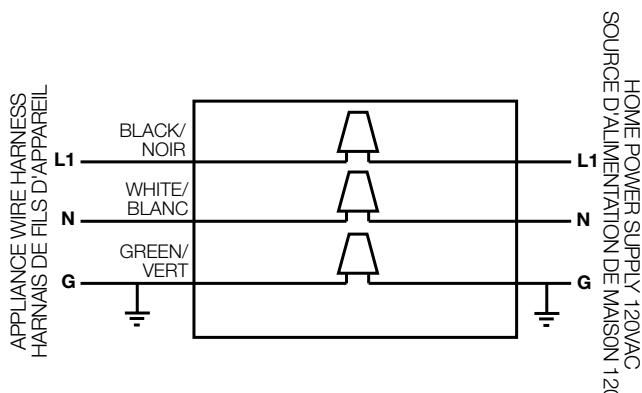
If it is necessary to hard-wire this appliance, a qualified electrician must remove the cord connection, and wire the appliance directly to the household wiring. The wire and power supply breaker must be rated for 120V, minimum 15 amps.

This appliance must be electrically wired and grounded in accordance with local codes or, in the absence of local codes, with the latest edition of the National Electrical Code ANSI/NFPA 70 in the United States or the Canadian Electrical Code CSA C22.1 in Canada.

1. Remove the 4 screws securing the cord and cover plate to the side of the firebox (**Fig. 4-1**).
2. Unscrew the wire nuts securing the power supply cord.
3. Install the new strain relief (supplied) (**Fig. 4-2**) into the new cover plate (supplied) and feed the 14/2 conductor wire through the strain relief.
4. Connect the ground/bond wires together.
5. Connect the supply N wire to the N wire in the junction box.
6. Connect L1 to L1 of the appliance.
7. With wires secured, carefully feed the wires into the firebox and re-secure the cover plate.



**Rear View of Appliance**



**Fig. 4-2**

## 5.0 finishing

### ! WARNING

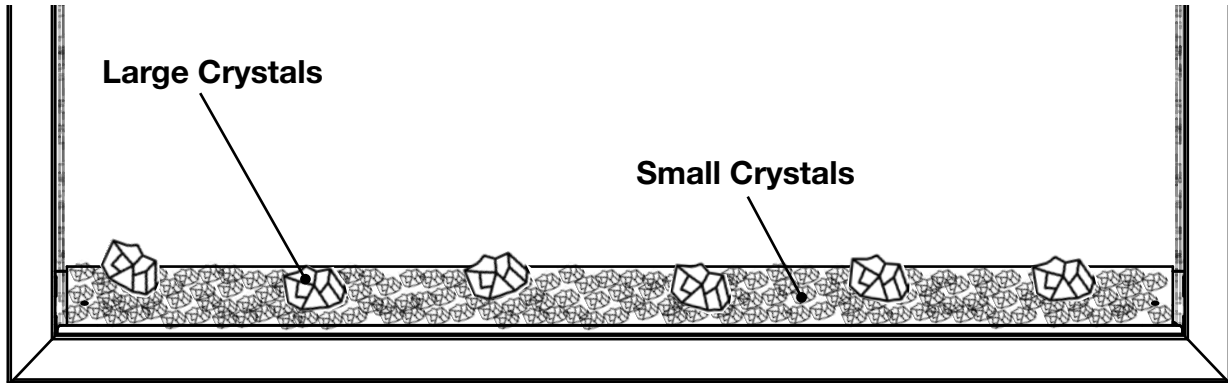
- Power supply service must be completed prior to finishing to avoid reconstruction.
- Heat vents and air openings cannot be covered in any circumstances.

#### note:

Multiple media options are provided.

### 5.1 crystal installation

1. Remove glass door (see "installation" section).
2. Carefully place an even layer of small crystals on the media tray.
3. Randomly place the large crystals (**Fig. 5-1**).
4. Reinstall the glass door.

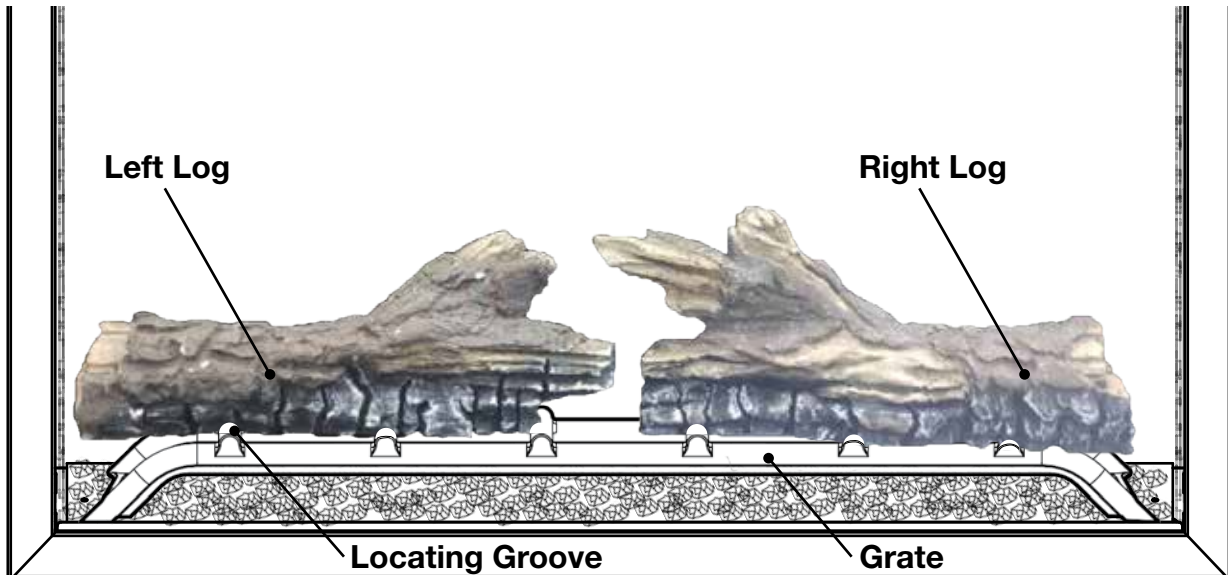


For illustrative purposes only.

Fig. 5-1

### 5.2 log, grate, and crystal installation

1. Remove the glass door (see "installation" section).
2. Place the grate on the media tray. Ensure it is stable.
3. Carefully place an even layer of small crystals on the media tray.
4. Place the logs (left and right) on top of the grate, using the grooves along the bottom of the logs as guides (**Fig. 5-2**).
5. Reinstall the glass door.



For illustrative purposes only.

Fig. 5-2

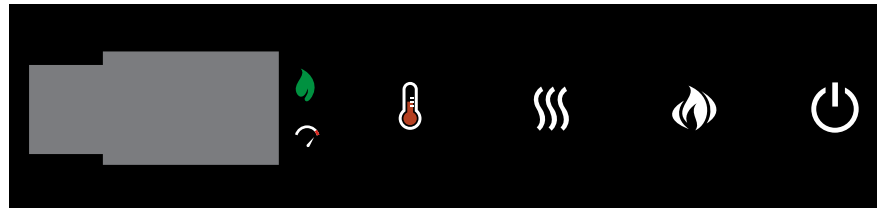








## **WARNING**

- Ensure the house circuit breakers for the circuit supply are turned on. When initially connecting the appliance to a power source, the appliance will make a beeping sound to indicate standby mode.

Once the appliance has been plugged into a grounded electrical outlet or hard-wired to a dedicated 120V power supply, it is ready to operate.

### 6.1 operating control panel

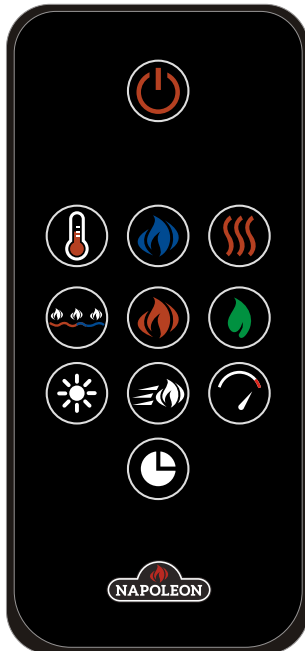


<b>Power</b>		Turns the appliance on / off.																						
<b>Temperature Control</b>		<p>Controls the appliance temperature.</p> <p><b>11 Settings:</b></p> <table border="1" style="margin-left: auto; margin-right: auto;"> <tr> <td>°C</td> <td>18</td> <td>19</td> <td>20</td> <td>21</td> <td>22</td> <td>23</td> <td>24</td> <td>25</td> <td>26</td> <td>27</td> </tr> <tr> <td>°F</td> <td>64</td> <td>66</td> <td>68</td> <td>70</td> <td>72</td> <td>74</td> <td>76</td> <td>78</td> <td>80</td> <td>82</td> </tr> </table> <p><b>NOTE:</b> When setting is °C or °F, the temperature control is OFF. Holding the button for 5s will switch the temperature from °C to °F and vice versa.</p>	°C	18	19	20	21	22	23	24	25	26	27	°F	64	66	68	70	72	74	76	78	80	82
°C	18	19	20	21	22	23	24	25	26	27														
°F	64	66	68	70	72	74	76	78	80	82														
<b>Heater</b>		<p>Turns the heater and blower on / off.</p> <p><b>3 Settings:</b>                      HO - Heater and blower off                      FAN - Blower on                      H-1 - Heater on</p> <p><b>NOTE:</b> Heater function can be disabled / enabled by holding the button for 5s. When the heater function is disabled, "LOC" will be displayed. The blower has a 10 second delay after the heater is off to blow out the residual heat.</p>																						
<b>Flame</b>		<p>Turns the flame effect on / off.</p> <p><b>2 Settings:</b>                      F-1 - Flame effect on (blue and orange, brightest flames)                      F-0 - Flame effect off</p>																						
<b>ECO Mode Indicating Light</b>		Indicates the appliance is working under ECO mode (energy saving).																						
<b>Boost Mode Indicating Light</b>		Indicates the appliance is working under Boost mode (heat boost).																						

## 6.2 operating remote control

**note:**






When operating the remote control, it must be directed towards the front of the control panel.



<b>Power</b>		Turns the appliance on / off.
<b>Blue Flame</b>		Controls blue flame brightness. <b>Settings:</b> BF4 - Brightest flame BF3 - Bright flame BF2 - Dim flame BF1 - Dimmest flame BF0 - Flame off
<b>Orange Flame</b>		Controls orange flame brightness. <b>Settings:</b> OF4 - Brightest flame OF3 - Bright flame OF2 - Dim flame OF1 - Dimmest flame OF0 - Flame off
<b>Ember Bed Colour</b>		Controls ember bed light settings. <b>Settings:</b> L-1 - Red L-2 - Blue L-3 - Green L-4 - Light green L-5 - Yellow L-6 - Purple L-7 - Autocycle L-8 - Lock the desired colour during cycle
<b>Ember Bed Brightness</b>		Controls the brightness of the ember bed light. <b>NOTE:</b> If the <b>ember bed colour</b> is set to <b>L-7</b> , the ember bed brightness setting cannot be changed. <b>Settings:</b> B-4 - Brightest B-3 - Bright B-2 - Dim B-1 - Dimmest B-0 - Off B-5 - Fade in and out
<b>Flame Speed</b>		Controls flame speed. <b>Settings:</b> S-3, S-4, S-5, S-1, S-2

Continued on next page



<p><b>Heater</b></p>		<p>Turns the heater and blower on/off.</p> <p><b>Settings:</b>          H-0 - Heater and blower off          FAN - Blower on          H-1 - Heater on</p> <p><b>NOTE:</b> Heater function can be disabled / enabled by holding the button for 5s. When the heater function is disabled, "LOC" will be displayed. The blower has a 10 second delay after the heater is off to blow out the residual heat.</p>
<p><b>Timer</b></p>		<p>Sets the timer.</p> <p><b>Settings:</b>          30M, 1Hr, 2Hr, 3Hr, 4Hr, 5Hr, 6Hr, 7Hr, 8Hr</p> <p><b>NOTE:</b> The display will read "---" after completing the 9 timer settings.</p>
<p><b>Temperature Control</b></p>		<p>Sets desired temperature.</p> <p><b>NOTE:</b> When setting is °C or °F, the temperature control is OFF. Holding the button for 5s will switch the temperature from °C to °F and vice versa.</p> <p><b>NOTE:</b> The appliance has been programmed with Smart Eco temperature control. When working under temperature control, the heater will work with a reduced output if the detected room temperature is close to the setting temperature in order to save energy. The ECO mode indicating light will turn on in the control panel.</p>
<p><b>ECO Mode Control</b></p>		<p>Turns on/off ECO mode manually. The appliance will work with a reduced heat output in order to save energy. When working under ECO mode, the ECO mode indicating light will turn on in the control panel.</p> <p><b>Settings:</b>          ECO - Turn on ECO mode manually          OFF - Turn off ECO mode</p>
<p><b>Boost Mode Control</b></p>		<p>Turns on Boost mode manually. The appliance will work with full heat output and a faster fan speed in order to produce more heat quickly. When working under Boost mode, the Boost mode indicating light will turn on in the control panel.</p> <p><b>Settings:</b>          BST 10M - Run Boost mode for 10 minutes          BST 20M - Run Boost mode for 20 minutes          BST 30M - Run Boost mode for 30 minutes          OFF - Turn off Boost mode</p>

# operating instructions

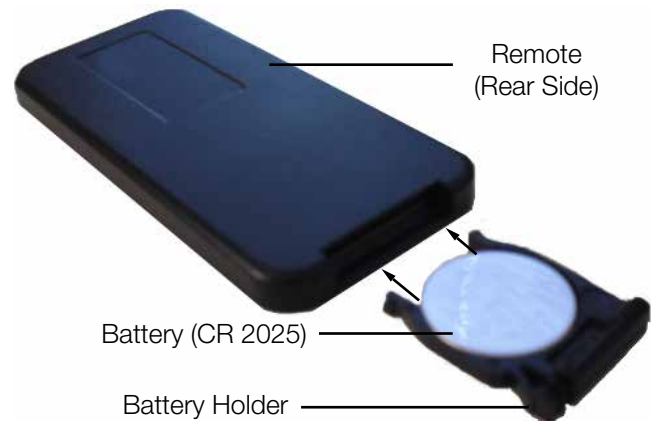
## 6.3 remote battery installation

### ! WARNING

- This remote control requires button batteries that are hazardous to young children.
- **WARNING! KEEP BATTERIES OUT OF REACH OF CHILDREN.**
- Swallowing may lead to serious injury or death in as little as 2 hours due to chemical burns and potential perforation of the oesophagus.
- If you suspect your child has swallowed or inserted a button battery, immediately seek urgent medical assistance.
- Examine devices and make sure the battery compartment is correctly secured (i.e. that the screw or other mechanical fastener is tightened). Do not use if compartment is not secure.
- Dispose of used button batteries immediately and safely. Flat batteries can still be dangerous.
- Tell others about the risks associated with button batteries and how to keep their children safe.



- To replace the existing battery, remove the battery holder.
- To remove the battery holder, turn remote onto front side and press the left side lever towards the center while pulling the battery holder out using the slot provided.
- Replace existing battery, type CR 2025, with a new battery and reinstall the battery holder into the remote by sliding it into position.
- Battery holder is secure into the remote control when a clicking noise is heard.



Batteries must be disposed of according to the local laws and regulations. Some batteries may be recycled, and may be accepted for disposal at your local recycling center. Check with your municipality for recycling instructions.

## 7.0 maintenance

### ! WARNING

- Always turn the heater off and unplug the power cord from the outlet before cleaning, performing maintenance, or moving this appliance. Failure to do so could result in electric shock, fire, or personal injury.
- Never immerse in water or spray with water. Doing so could result in electric shock, fire, or personal injury.

#### Metal:

- Buff using a soft cloth, slightly dampened with a citrus oil-based product.
- Do not use brass polish or household cleaners as these products will damage the metal trim.

#### Glass:

- Use a good quality cleaner sprayed onto a cloth or towel. Dry thoroughly with a paper towel or lint-free cloth.
- Never use abrasive cleaners, liquid sprays, or any cleaner that could scratch the surface.

#### Vents:

- Use a vacuum or duster to remove dust and dirt from the heater and vent areas.

#### Plastic:

- Wipe gently with a slightly damp cloth and a mild solution of dish soap and warm water.
- Never use abrasive cleaners, liquid sprays, or any cleaner that could scratch the surface.

**! WARNING**

- Failure to position the parts in accordance with this manual or failure to use only parts specifically approved with this appliance may result in property damage or personal injury.

Contact your dealer for questions concerning prices and policies on replacement parts. Normally, all parts can be ordered through your Authorized dealer / distributor.

**For warranty replacement parts, a photocopy of the original invoice will be required to honour the claim.**

When ordering replacement parts always give the following information:

- Model & Serial Number of appliance
- Installation date of appliance
- Part number
- Description of part
- Finish

**Parts, part numbers, and availability are subject to change without notice.**

**Parts identified as stocked will be delivered within 2 to 5 business days for most delivery destinations.**

**Parts not identified as stocked will be delivered within a 2 to 4 week period, for most cases.**

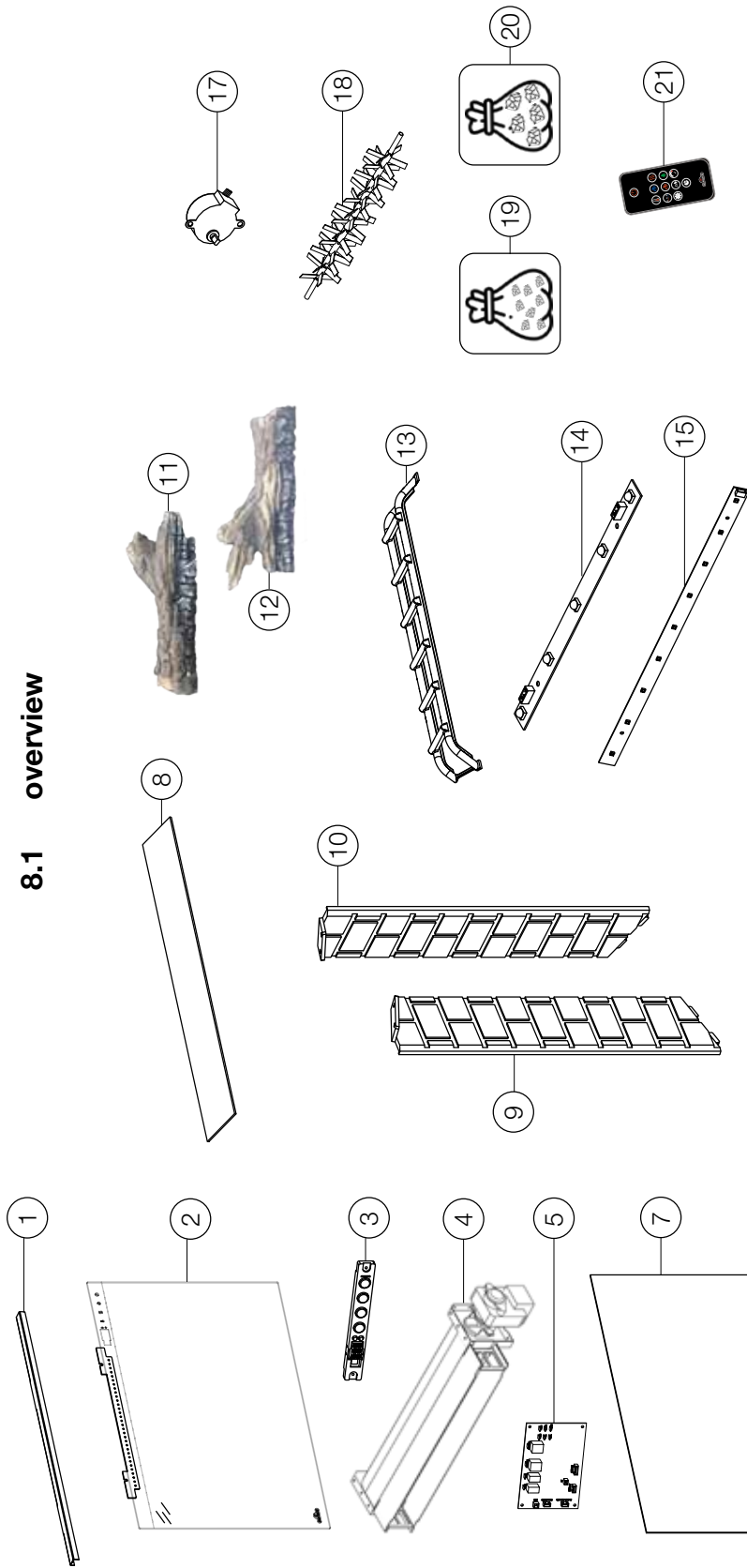
**Parts identified as 'SO' are special order and can take up to 90 days for delivery.**

For after-sales service, please call 1-866-820-8686.

**note:**

Care must be taken when removing and disposing of any broken glass or damaged components. Be sure to vacuum up any broken glass from inside the appliance before operation.

8.1 overview



Items may not appear exactly as illustrated.

Ref. No.	Part No.	Description	Stocked
1	G200-0020	Front decorative cover (NEFB26H)	Yes
1	G200-0021	Front decorative cover (NEFB30H)	Yes
2	G010-0111	Assembly, glass door (NEFB26H)	Yes
2	G010-0112	Assembly, glass door (NEFB30H)	Yes
3	G010-0118	Assembly, control panel board	Yes
4	G010-0113	Assembly, blower and heater	Yes
5	G190-0010	Main PCB board	Yes
6 *	G190-0012	Thermostat sensor	Yes
7	G565-0035	Screen, flame projection (NEFB26H)	Yes
7	G565-0036	Screen, flame projection (NEFB30H)	Yes
8	G565-0037	Strip, ember bed (NEFB26H)	Yes
8	G565-0038	Strip, ember bed (NEFB30H)	Yes
9	G475-0012	Panel, brick left	Yes
10	G475-0013	Panel, brick right	Yes

\* Parts not illustrated.

Ref. No.	Part No.	Description	Stocked
11	G135-0016	Log, left	Yes
12	G135-0017	Log, right	Yes
13	G185-0003	Grate	Yes
14	G405-0015	Flame LED light	Yes
15	G405-0016	Ember bed light (NEFB26H)	Yes
15	G405-0017	Ember bed light (NEFB30H)	Yes
16 *	G750-0053	Wire harness	Yes
17	W435-0117-SER	Stepped motor kit	Yes
18	G010-0119	Assembly, reflector (NEFB26H)	Yes
18	G010-0120	Assembly, reflector (NEFB30H)	Yes
19	G497-0004	Media bag, small black crystal (NEFB26H)	Yes
19	G497-0005	Media bag, small black crystal (NEFB30H)	Yes
20	G497-0006	Media bag, large black crystal (NEFB26H)	Yes
20	G497-0007	Media bag, large black crystal (NEFB30H)	Yes
21	G660-0007	Remote control	Yes

## **WARNING**

- Turn off the appliance completely and let cool before servicing. Only a qualified service person should service and repair this electric appliance.

symptom	problem	solution
Appliance will not come on when power button/switch is put into the “on” position.	Appliance is not plugged into an electrical outlet.	Check plug, and plug in the appliance if necessary.
	Hard-wire connections are not correct (if applicable).	See “hard-wiring installation” section.
	Appliance has overheated and safety thermal switch has tripped.	Unplug power or turn off the circuit breaker, allow appliance to cool for 15 minutes, then plug in the appliance or turn the breaker on.
	Main PCB board issue.	Inspect the circuit board and replace, if necessary.
Appliance turns off and will not turn on.	House circuit breaker has tripped.	Reset house circuit breaker.
	Appliance’s fuse has blown.	Replace the fuse.
	Appliance has overheated and safety thermal switch has tripped.	Unplug power or turn off the circuit breaker, allow appliance to cool for 15 minutes to reset the thermal switch, then plug in the appliance or turn the breaker on.
Appliance has returned to default settings.	Power failure.	Re-program appliance to original settings (not applicable with all appliances).
Remote control does not work.	Low/dead batteries.	Replace batteries in remote control.
	Remote receiver malfunction.	Ensure remote receiver is not blocked. Replace control panel.
No warm air coming out of the appliance.	Heater setting not selected.	See “operation” section.
	Heater has been locked out.	See “operation” section.
	Room temperature is higher than appliance setting (if set to room temperature).	Reset temperature setting.
	Appliance has overheated and safety thermal switch has tripped.	Unplug power or turn off the circuit breaker. Allow for appliance to cool for 15 minutes.
	Hard-wire connections are not correct (if applicable).	See “hard-wiring installation” section.
	Heater issue.	Inspect the blower and heater and replace, if necessary.
Heater shuts off automatically.	Room is too warm.	The heater has a built-in thermostat so it will shut off automatically once the pre-set temperature is reached. It will also turn on automatically if the room temperature drops below the pre-set temperature.
Dim or no flame.	Flame brightness not selected.	See “operation” section.
	Flame LEDs issue.	Inspect the LED and replace, if necessary.
	Main PCB board issue.	Inspect the main PCB board and replace, if necessary.
Flame does not move.	Motor is stalled/malfunctioning.	Cycle on/off. If problem persists, consult dealer.

Ember bed is not glowing or dimming.	Brightness not selected.	See “operation” section.
	Ember LED issue.	Inspect the ember bed LEDs and replace, if necessary.
	Main PCB board issue.	Inspect the main PCB board and replace, if necessary.
LED flashing “OH”.	Appliance has overheated and safety thermal switch has tripped.	Unplug power or turn off the circuit breaker. Allow appliance to cool for 15 minutes, then plug in the appliance or turn the breaker on. If problem persists, consults your dealer.



**Napoleon** electric appliances are manufactured under the strict Standard of the world recognized ISO 9001 : 2015 Quality Management System.

**Napoleon** products are designed with superior components and materials and assembled by trained craftsmen who take great pride in their work. Once assembled, the complete appliance is thoroughly inspected by a qualified and authorized installer, service agency, or supplier before packing to ensure that you, the customer, receive the quality product that you expect from **Napoleon**.

### Napoleon Electric Appliance Standard Warranty

Electrical components and wearable parts are covered and **Napoleon** will provide replacement parts free of charge during the first year of standard warranty. This covers: fan/heaters, motors, switches, nylon bearing components, remote controls, and LED lights.\*

Light bulbs and fuses are **NOT** covered by the warranty.

Any labour related to warranty repair is not covered.

\* Construction of models vary. Warranty applies only to components included with your specific appliance.

### Conditions and Limitations

**Napoleon** warrants its products against manufacturing defects to the original purchaser only. Registering your warranty is not necessary. Simply provide your proof of purchase along with the model and serial number to make a warranty claim. Provided that the purchase was made through an authorized **Napoleon** dealer, your appliance is subject to the following conditions and limitations:

Warranty coverage begins on the date of original installation.

This factory warranty is non-transferable and may not be extended whatsoever by any of our representatives.

Installation must be done in accordance with the installation instructions included with the product and all local and national building and fire codes.

This standard warranty does not cover damages caused by misuse, lack of maintenance, accident, alterations, abuse, or neglect and parts installed from other manufacturers will nullify this warranty.

This standard warranty further does not cover any scratches, dents, corrosion, or discolouring caused by excessive heat, abrasive and chemical cleaners, nor chipping on porcelain enamel parts, mechanical breakage of PHAZER™ logs.

In the first year only, this warranty extends to the repair or replacement of warranted parts which are defective in material or workmanship, provided that the product has been operated in accordance with the operation instructions and under normal conditions.

**Napoleon** will not be responsible for installation, labour, or any other expenses related to the reinstallation of a warranted part, and such expenses are not covered by this warranty. Notwithstanding any provisions contained in the Standard Warranty, **Napoleon** responsibility under this warranty is defined as above, and it shall not in any event extend to any incidental, consequential, or indirect damages.

This warranty defines the obligations and liability of **Napoleon** with respect to the **Napoleon** electric appliance and any other warranties expressed or implied with respect to this product; its components or accessories are excluded.

**Napoleon** neither assumes, nor authorizes any third party to assume, on its behalf, any other liabilities with respect to the sale of this product.

Any damages to appliance, brass trim or other component due to water, weather damage, long periods of dampness, condensation, damaging chemicals, or cleaners will not be the responsibility of **Napoleon**.

**Napoleon** reserves the right to have its representative inspect any product or part thereof prior to honouring any warranty claim.

All parts replaced under the Standard Warranty Policy are subject to a single claim.

All parts replaced under the warranty will be covered for a period of 90 days from the date of their installation.

The manufacturer may require that defective parts or products be returned or that digital pictures be provided to support the claim. Returned products are to be shipped prepaid to the manufacturer for investigation. If a product is found to be defective, the manufacturer will repair or replace such defect.

Before shipping your appliance or defective components, your dealer must obtain an authorization number. Any merchandise shipped without authorization will be refused and returned to sender.

Shipping costs are not covered under this warranty.

Additional service fees may apply if you are seeking warranty service from a dealer.

All specifications and designs are subject to change without prior notice due to on-going product improvements. **Napoleon** is a registered trademark of Wolf Steel Ltd.

# NAPOLEON CELEBRATING OVER 40 YEARS OF HOME COMFORT PRODUCTS



7200, Route Transcanadienne, Montréal, Québec H4T 1A3  
24 Napoleon Road, Barrie, Ontario, Canada L4M 0G8  
214 Bayview Drive, Barrie, Ontario, Canada L4N 4Y8  
103 Miller Drive, Crittenden, Kentucky, USA 41030  
De Riemsdijk 22, 4004 LC Tiel, The Netherlands

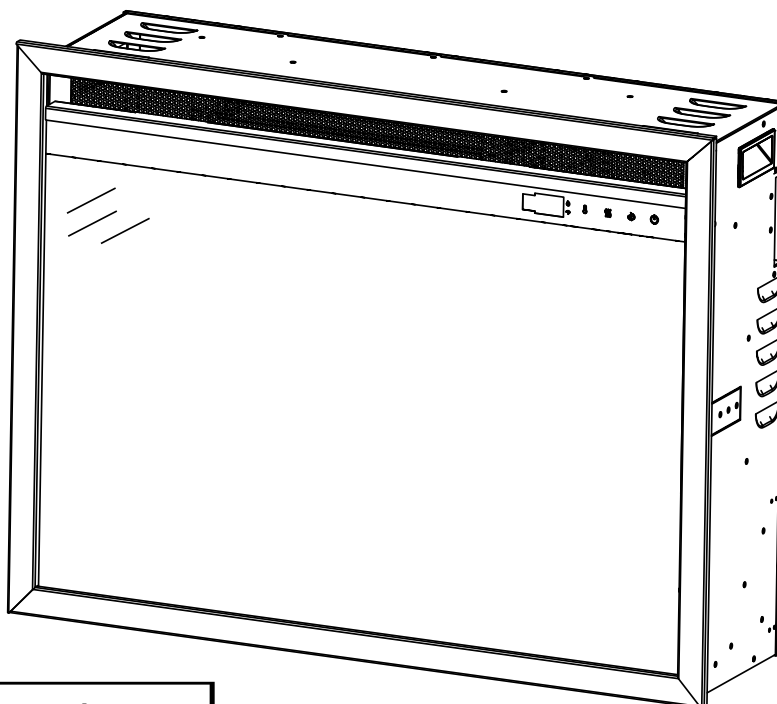
Phone: 1-866-820-8686  
[napoleon.com](http://napoleon.com)



# MANUEL D'INSTALLATION ET D'OPÉRATION

## Appareil Électrique Cineview<sup>MD</sup>

(NEFB26H Illustré)



### CONSIGNES DE SÉCURITÉ

#### **⚠ AVERTISSEMENT**

#### **RISQUE D'INCENDIE OU D'EXPLOSION**

Si ces instructions ne sont pas suivies à la lettre, un incendie pourrait s'ensuivre causant des dommages matériels, des blessures corporelles ou des pertes de vie.

- N'entreposez pas et n'utilisez pas d'essence ou autres liquides et vapeurs inflammables à proximité de cet appareil ou tout autre appareil.

#### **INSTALLATEUR:**

Laissez ce manuel avec l'appareil

#### **PROPRIÉTAIRE:**

Conservez ce manuel pour consultation ultérieure.



Cet appareil dispose d'une télécommande qui nécessite des piles à bouton qui sont dangereuses pour les jeunes enfants.

### **POUR L'UTILISATION INTÉRIEUR SEULEMENT**

**CERTIFIÉ SELON LES NORMES NATIONALES CANADIENNES ET AMÉRICAINES:  
CSA C22.2 NO. 46 / UL 2021**

APPOSEZ L'ÉTIQUETTE DU NUMÉRO DE SÉRIE DU CARTON



Wolf Steel Ltd., 24 Napoleon Rd., Barrie, ON, L4M 0G8 Canada / 103 Miller Drive, Crittenden, Kentucky, USA, 41030  
Téléphone 1 (866) 826 8686 • www.napoleon.com • hearth@napoleon.com

## AVERTISSEMENT

- **Si équipé avec un chauffage, cet appareil peut être chaud lorsqu'il fonctionne et peut causer de graves brûlures en cas de contact.**
- Ne faites pas fonctionner l'appareil avant d'avoir lu et compris les instructions d'utilisation. L'incapacité de respecter les instructions pourrait causer un incendie ou des blessures corporelles.
- N'installez pas de composants endommagés ou incomplets, ni des composants de substitution.
- Ne brûlez pas de bois ou autres matériaux dans cet appareil.
- Tous les appareils électriques contiennent des composants internes qui deviennent chauds et qui produisent des étincelles. N'utilisez pas cet appareil dans des endroits où de l'essence, des peintures ou d'autres liquides inflammables sont présents.
- Les grillages de sécurités ou écrans enlevés pour faire l'entretien devront être remis en place avant d'utiliser l'appareil.
- Il est primordial de garder propres les compartiments de contrôle, les brûleurs, la soufflerie, les bouches d'air de l'appareil ainsi que le système d'évacuation. L'appareil et son système d'évacuation doivent être inspectés avant la première utilisation et au moins une fois l'an par un spécialiste en entretien. Un entretien plus fréquent pourrait être nécessaire en raison des peluches provenant des tapis, literie, etc. L'emplacement de l'appareil doit être gardé libre de tous matériaux combustibles, essence ou autres liquides et vapeurs inflammables.
- Cet appareil ne devra être modifié en aucun cas.
- N'utilisez pas cet appareil si une partie quelconque a été submergée. Contactez immédiatement un technicien de service qualifié pour inspecter l'appareil et pour remplacer toute pièce du système de contrôle qui aurait été submergée.
- Si équipé avec une porte vitrée, n'opérer pas l'appareil lorsque la porte vitrée est enlevée, fissurée ou brisée. Le remplacement de la vitre devra être effectué par un technicien de service certifié ou qualifié.
- Si équipé avec un porte vitrée, ne frappez pas et ne claquez pas la porte vitrée de l'appareil.
- Les matériaux d'emballage doivent être gardés hors de la portée des enfants et mis au rebut de façon sécuritaire. Comme tous les emballages de plastique, ceux-ci ne sont pas des jouets et doivent demeurer hors de la portée des enfants et des bébés.
- L'entretien ne doit être effectué que lorsque l'appareil est débranché du circuit électrique.
- Débranchez toujours l'appareil lorsqu'il n'est pas utilisé.
- N'utilisez pas l'appareil si le cordon d'alimentation ou la fiche sont endommagés, s'il ne fonctionne pas bien, ou s'il a été échappé ou endommagé d'une quelconque façon. Retournez l'appareil à un centre de service autorisé pour une inspection, des ajustements électriques ou mécaniques ou une réparation.
- N'utilisez pas cet appareil à l'extérieur.
- Lorsque vous installez cet appareil dans une pièce où l'eau est présente, l'installation doit se conformer aux codes reconnaissant le risque accru de décharge électrique et d'électrocution.

### **note:**

Ne placez jamais cet appareil électrique à un endroit où il pourrait tomber dans une baignoire ou un autre réservoir d'eau.

- Ne passez pas le cordon d'alimentation sous un tapis. Ne recouvrez pas le cordon avec des tapis, des tapis de couloir ou autres revêtements similaires. Évitez de placer le cordon dans un endroit passant ou à un endroit où il risque de causer des chutes.
- Branchez seulement dans une prise de courant adéquatement mise à la terre.
- N'insérez pas d'objets dans les ouvertures d'entrée d'air ou de sortie d'air puisque cela risque d'endommager l'appareil ou causer des chocs électriques ou un incendie.
- Il est normal que votre appareil électrique produise du bruit, surtout s'il est installé dans un endroit calme comme un chambre à coucher.

**! AVERTISSEMENT**

- Pour prévenir les risques d'incendie, ne bloquez pas les entrées d'air et les sorties d'air de quelque manière que ce soit. Ne placez pas cet appareil sur une surface molle telle qu'un tapis où les ouvertures pourraient se bloquer.
- Toujours brancher l'appareil directement dans une prise murale. N'utilisez pas de cordons d'alimentation ou une robinet d'alimentation relogeables (alimentation/multiprise).
- Cet appareil a été testé et homologué pour usage avec les accessoires optionnels listés dans ce manuel uniquement. L'utilisation d'accessoires optionnels qui n'ont pas été spécifiquement testés pour cet appareil électrique annulera la garantie de l'appareil et/ou présentera des risques pour la sécurité.

**Pour les appareil équipé avec chauffage:**

- Risque de brûlures. L'appareil doit être éteint et refroidi avant d'effectuer l'entretien. Pour débrancher l'appareil, mettez d'abord les boutons de contrôle à « OFF » puis retirez la fiche de la prise de courant.
- Les jeunes enfants doivent être supervisés attentivement lorsqu'ils sont dans la même pièce que l'appareil recommandés s'il y a dans la maison des individus à risque. Les jeunes enfants et autres personnes sont sujets aux brûlures accidentelles. Une barrière de protection est recommandée s'il y a dans la maison des individus à risque. Afin de restreindre l'accès à l'appareil, installez une barrière de protection ajustable pour garder les jeunes enfants ou autres personnes à risque hors de la pièce et loin des surfaces chaudes.
- Les vêtements et autres matériaux combustibles ne doivent pas être posés sur l'appareil ou à proximité.
- En raison des températures élevées, l'appareil devrait être placé loin des endroits passants et loin des meubles et des rideaux.
- Assurez-vous de disposer de mesures de sécurité adéquates pour empêcher les jeunes enfants de toucher aux surfaces chaudes.
- Même lorsque l'appareil est éteint, la porte et l'écran demeureront chauds pendant un bon moment.
- Consultez votre détaillant local de foyer pour connaître les grillages de sécurité et les écrans offerts pour protéger les enfants des surfaces chaudes. Ces grillages de sécurité et ces écrans doivent être fixés au plancher.
- Assurez-vous de respecter les dégagements aux matériaux combustibles lorsque vous installez un manteau ou des tablettes au-dessus de l'appareil. Les téléviseurs et autres composants électroniques soumis à des températures élevées peuvent fondre, se déformer, se décolorer et entraîner des défaillances prématurées de ces appareils.

**! AVERTISSEMENT: Ce produit peut vous exposer à des substances chimiques incluant le plomb et les composés de plomb qui, selon l'État de Californie, causeraient le cancer, et des substances chimiques incluant le BBP et DEHP qui, selon d'État de Californie, causeraient des malformations congénitales ou autres dangers pour la reproduction. Pour de plus amples renseignements, visitez le [www.P65Warnings.ca.gov](http://www.P65Warnings.ca.gov).**

# table de matières

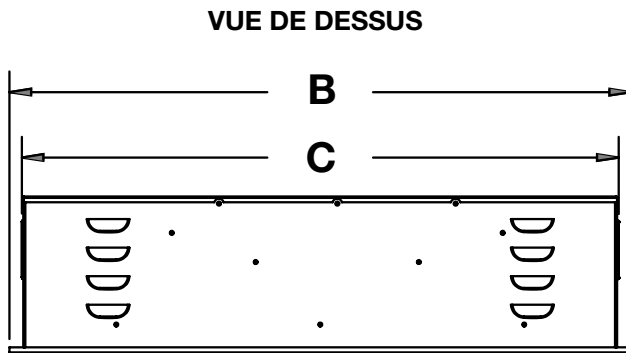
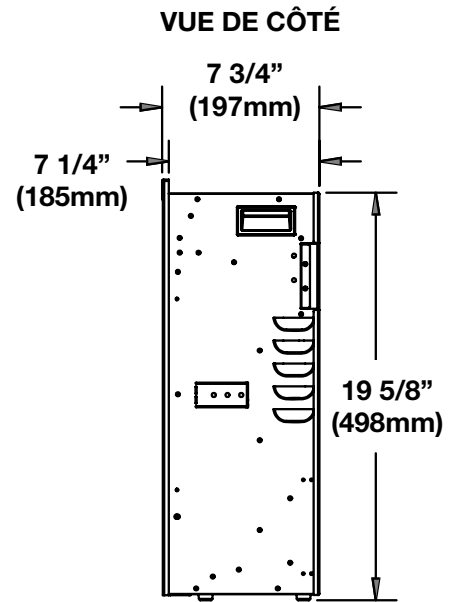
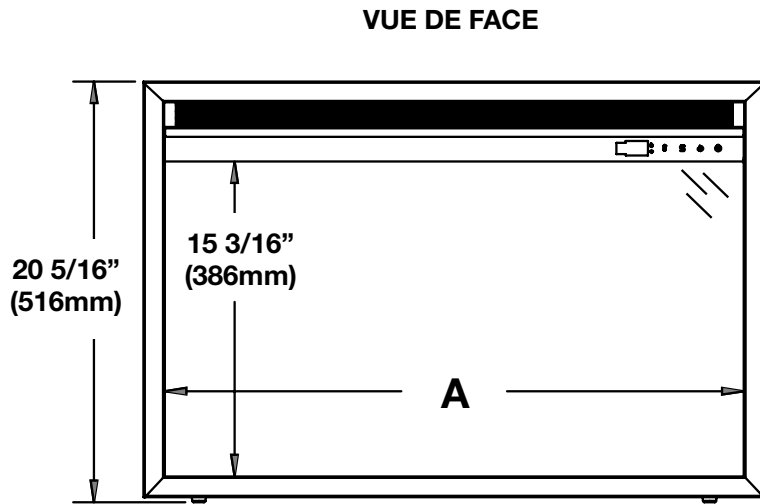
FR

<b>1.0</b>	<b>information générale</b>	<b>31</b>
1.1	dimensions	31
1.2	liste de pièces	31
1.3	homologations	32
1.4	instructions générales	32
1.5	déballage et test de l'appareil	32
1.6	information à propos de la plaque d'homologation	33
1.7	emplacement des étiquettes	33
<b>2.0</b>	<b>emplacement de l'appareil</b>	<b>34</b>
2.1	mise à la terre de l'appareil	34
<b>3.0</b>	<b>installation</b>	<b>35</b>
3.1	dégagements minimaux aux combustibles	35
3.2	dégagements minimaux à la tablette	35
3.3	charpente approximatif	36
3.4	installation et finition de l'appareil	37
<b>4.0</b>	<b>informations électriques</b>	<b>40</b>
4.1	Installation de la fiche du cordon 120 V	40
4.2	schéma de câblage	40
4.3	branchement par câble	41
<b>5.0</b>	<b>finition</b>	<b>42</b>
5.1	installation des cristaux	42
5.2	installation des bûches, de la grille, et des cristaux	42
<b>6.0</b>	<b>instructions de fonctionnement</b>	<b>43</b>
6.1	fonctionnement du panneau de contrôle	43
6.2	fonctionnement de la télécommande	44
6.3	installation des piles de la télécommande	46
<b>7.0</b>	<b>entretien</b>	<b>46</b>
<b>8.0</b>	<b>pièces de rechange</b>	<b>47</b>
8.1	vue d'ensemble	48
<b>9.0</b>	<b>guide de dépannage</b>	<b>49</b>
<b>10.0</b>	<b>garantie</b>	<b>51</b>

## note:

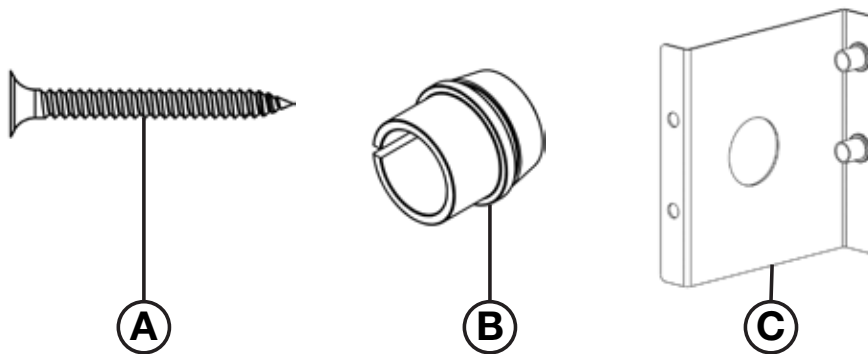
L'information contenue dans ce manuel est jugée correcte au moment de l'impression. Wolf Steel Ltd. se réserve le droit de modifier ou de modifier toute information contenue dans ce manuel à tout moment sans préavis. Les modifications, autre que les éditoriaux, sont désignées par une ligne verticale dans la marge.

## 1.1 dimensions



Réf.	NEFB26H	NEFB30H
<b>A</b>	23 15/16" (607mm)	27 15/16" (709mm)
<b>B</b>	26" (660mm)	30" (762mm)
<b>C</b>	24 3/4" (629mm)	28 13/16" (732mm)

## 1.2 liste de pièces



Réf.	Description	Quantité
A	Vis à bois	2
B	Soulagement de traction	1
C	Plaque de recouvrement pour le boîte de jonction	1

# information générale

FR

## 1.3 homologations

Cet appareil a été testé selon les normes CSA pour foyers électriques installés de façon permanente aux États-Unis et au Canada. Si vous avez besoin d'assistance durant l'installation, veuillez contacter votre détaillant local.

### note:

Cet appareil doit être raccordé électriquement et mis à la terre selon les codes locaux ou, en l'absence de tels codes, avec le National Electrical Code ANSI/NFPA 70 (la dernière édition) aux États-Unis ou la Code Canadien de l'Électricité CSA C22.1 au Canada.

N° de Modèle	NEFB26H	NEFB30H
Description	Appareil Électrique de 26"	Appareil Électrique de 30"
Tension	120V	
Puissance	1465W	
Ampères	15 AMP circuit mis à la terre <b>dédié</b>	
Largeur	26" (660mm)	30" (762mm)
Hauteur	20 5/16" (516mm)	
Profondeur	7 3/4" (197mm)	
Poids Net	37,5 lbs (17,0 kg)	41,9 lbs (19,0 kg)
Poids Brut	46,3 lbs (21,0 kg)	51,4 lbs (23,3 kg)

## 1.4 instructions générales

- Avant de brancher votre appareil dans une prise de courant, vérifiez si le disjoncteur de la maison pour ce circuit est allumé.
- Il est possible que l'appareil dégage une légère odeur inoffensive lors de la première utilisation. Cela est une condition normale causée par le chauffage initial des éléments de l'appareil. Elle ne se reproduira plus.
- Si votre appareil n'émet pas de chaleur lorsqu'il est sollicité, consultez la section « fonctionnement » de ce manuel pour de plus amples renseignements.
- Utilisez avec un limiteur de surtension certifié CSA ou UL.
- Ne faites pas passer le cordon d'alimentation directement sous l'appareil.

Cet appareil électrique répond aux normes de construction et de sécurité du H.U.D. pour des applications dans des maisons préfabriquées lorsque installé selon ces instructions.

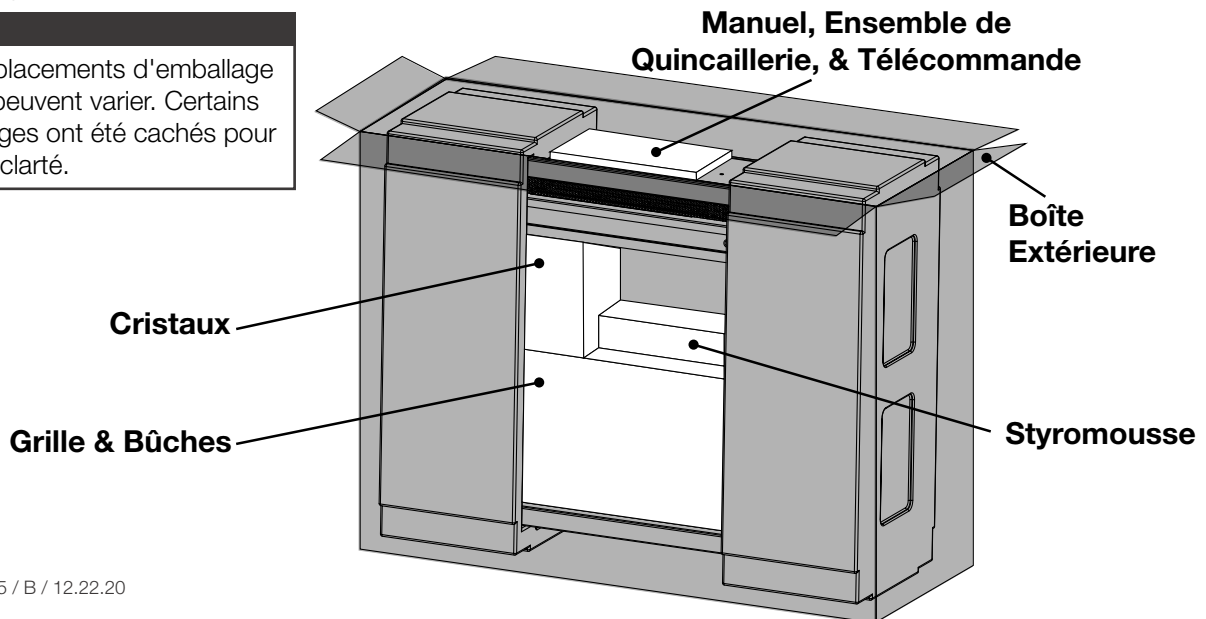
Comme avec la plupart des appareils électroniques, votre nouveau appareil électrique a été conçu pour fonctionner à des températures comprises entre 5°C (41°F) et 35°C (95°F). Pendant les mois froids de l'hiver, la cheminée permet d'atteindre la température ambiante avant de l'allumer.

## 1.5 déballage et test de l'appareil

Retirez soigneusement l'appareil de la boîte. Avant d'installer l'appareil, retirez tout le matériel d'emballage et effectuez un test pour vous assurer que l'appareil fonctionne correctement en branchant le cordon d'alimentation dans une prise de courant mise à la terre de 120 V minimum, 15 A minimum.

### note:

Les emplacements d'emballage exacts peuvent varier. Certains emballages ont été cachés pour plus de clarté.





## 1.6 information à propos de la plaque d'homologation

CERTIFIED UNDER CANADIAN AND AMERICAN NATIONAL STANDARD: CSA 22.2 NO. 46 AND UL 2021 /  
HOMOLOGUÉ SELON LES NORMES NATIONALES CANADIENNES ET AMÉRICAINES: CSA 22.2 NO. 46 UL 2021

ELECTRIC FIREPLACE. SUITABLE FOR  
BEDROOM AND BED-SITTING ROOM  
INSTALLATION. SUITABLE FOR MOBILE  
HOME INSTALLATION.

FOYER À ÉLECTRIQUE. HOMOLOGUÉ POUR  
INSTALLATION DANS UNE CHAMBRE À  
COUCHER, UNE SALLE DE BAIN ET UN STUDIO.  
APPROPRIÉ POUR INSTALLATION DANS UNE  
MAISON MOBILE.

**CSA**  
C US

**MASTER CONTRACT: 161746**      **CONTRAT-CADRE: 161746**

NEFB26H      **MODEL**       CEFB26H

**VOLTAGE: 120V**      **TENSION: 120 V**  
**FREQUENCY: 60Hz**      **FRÉQUENCE: 60Hz**  
**POWER: 1465W**      **PUISSANCE: 1465W**  
**DATE CODE:**      **CODE DE DATE:**

DESIGNED IN NORTH AMERICA      DÉSIGNÉ AMÉRIQUE DU NORD  
BY WOLF STEEL LTD.      PAR WOLF STEEL LTD.  
MADE IN CHINA      FABRIQUÉ EN CHINE

**WOLF STEEL LTD.**  
24 NAPOLEON ROAD,  
BARRIE, ON, L4M 0G8 CANADA

**SERIAL NUMBER/NO. DE SÉRIE: NEFB26H**      **W385-2533**

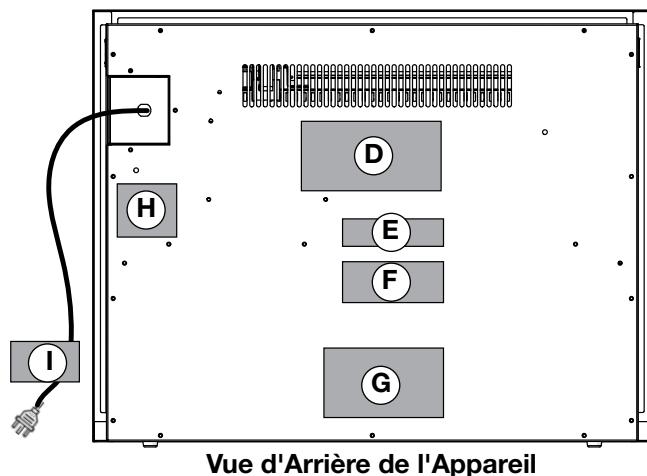
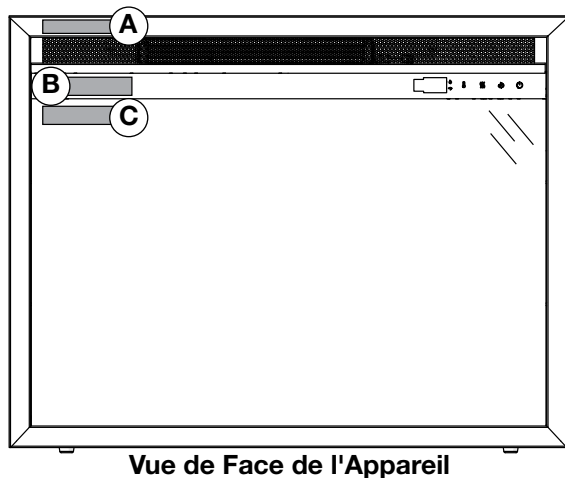
Pour l'emplacement de la plaque d'homologation, voir la section « emplacement des étiquettes ».

Cette illustration est à titre de référence seulement. Consultez la plaque d'homologation pour obtenir l'information précis.

**note:**

La plaque d'homologation doit rester avec l'appareil à tout instant. Elle ne doit pas être enlevée.

## 1.7 emplacement des étiquettes



Réf.	N° de Pièce	Description
A	W385-2210	« Ne Pas Couvrir »
B *	N/A	N° de Modèle & Série
C	W385-2017	« Surface Chaud »
D	W385-2533	Plaque de Homologation (NEFB26H)
	W385-2552	Plaque de Homologation (NEFB30H)
E	W385-1944	« Avertissement »
F	W385-1945	« Attention »
G	W385-2553	Schéma de Câblage
H	W385-2554	Schéma de Branchement de Câble
I	W385-1943	« Avertissement »

\* Situé derrière la vitre avant sur la tôle.

## 2.0 emplacement de l'appareil

FR

### AVERTISSEMENT

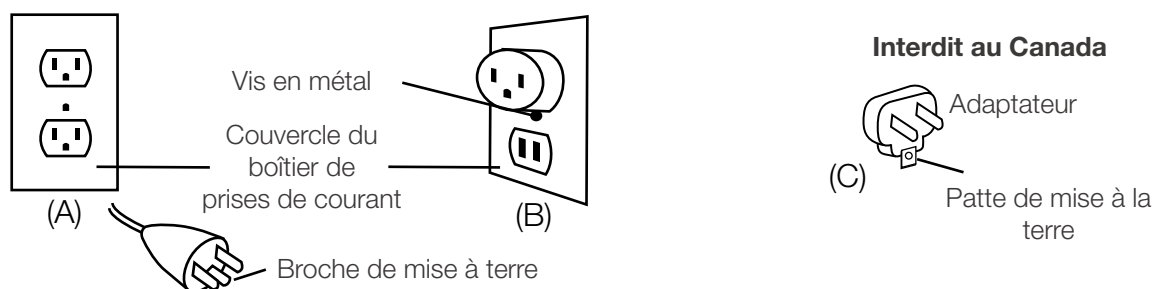
- En raison des températures élevées, l'appareil devrait être placé loin des endroits passants. Gardez tous les articles combustibles tels que les meubles, les oreillers, la literie, le papier, les vêtements, et les rideaux à une distance d'au moins 36" (91,4cm) de la façade de l'appareil.
- Ne placez jamais l'appareil électrique à un endroit où il risque de tomber dans une baignoire ou tout autre réservoir contenant de l'eau.
- Portez les gants de protection et des lunettes de sécurité lors de l'installation et de l'entretien.
- Afin d'éviter tout contact avec de l'isolant que s'affaisse, l'appareil électrique ne doit pas être installé contre un coupe-vapeur ou de l'isolant à découvert. Une surchauffe localisée peut survenir et un incendie pourrait s'ensuivre.
- L'appareil électrique ne doit pas être exposé aux conditions extérieures (c.à.d. la pluie, la neige, etc.).

### 2.1 mise à la terre de l'appareil

Cet appareil doit être utilisé sur 120 volts. Le cordon a une fiche comme indiqué en (A). Un adaptateur tel qu'illustré en (C) est disponible pour connecter des fiches de mise à la terre à trois broches à des prises à deux fentes, comme illustré en (B). La fiche de mise à la terre verte partant de l'adaptateur doit être connectée à une mise à la terre permanente telle qu'une boîte de prise correctement mise à la terre. L'adaptateur ne doit pas être utilisé si un réceptacle mis à la terre à trois emplacements est disponible.

Pour déconnecter l'appareil, éteignez les commandes, puis retirez la fiche de la prise.

#### Méthodes de mise à la terre



#### note:

Cet appareil doit être connecté à un circuit dédié de 15 ampères. L'utilisation d'une rallonge n'est PAS permis.

## ! AVERTISSEMENT

- Risque d'incendie! Le cordon d'alimentation ne doit pas être coincé contre une arrête vive. Fixez le cordon pour éviter les chutes ou les accrochages afin de réduire le risque d'incendie, de choc électrique ou de blessures corporelles. Ne passez pas le cordon d'alimentation sous un tapis. Ne recouvrez pas le cordon avec des carpettes, des tapis de couloir ou autres revêtements similaires. Évitez de placer le cordon dans un endroit passant ou à un endroit où il risque de causer des chutes.
- Risque d'incendie! Pour prévenir les risques d'incendie, ne bloquez pas les entrées d'air et les sorties d'air de quelque manière que ce soit. Ne placez pas cet appareil sur une surface molle où les ouvertures pourraient se bloquer.
- Risque d'incendie! Ne soufflez pas ou ne placez pas d'isolant contre l'appareil.
- Cet appareil électrique a été testé et homologué pour usage avec les accessoires optionnels listés dans ce manuel uniquement. L'utilisation d'accessoires optionnels qui n'ont pas été spécifiquement testés pour cet appareil électrique annulera la garantie de l'appareil et/ou présentera des risques pour la sécurité.
- Si ces instructions ne sont pas suivies à la lettre, un incendie ou une explosion pourraient s'ensuivre, causant des dommages matériels, des blessures corporelles ou des pertes de vie. N'entreposez pas et n'utilisez pas d'essence ou autres vapeurs inflammables à proximité de cet appareil ou tout autre appareil.
- Étant donné la lourdeur de cet appareil, il est recommandé que deux personnes en fassent l'installation.
- Si votre appareil est équipé avec chauffage, assurez-vous que les ouvertures de la chauffage ne peut pas, dans aucune façon, être recouverts car il peut provoquer un incendie.
- N'exécutez pas le cordon d'alimentation horizontalement, directement en dessous de l'appareil.

Votre NEFB26 / 30H est un appareil encastré. Choisissez un emplacement approprié qui n'est pas sensible à l'humidité et à l'écart des rideaux, des meubles et des zones à fort trafic.

### note:

Suivez tous les codes électriques nationaux et locaux.

### 3.1 dégagements minimaux aux combustibles

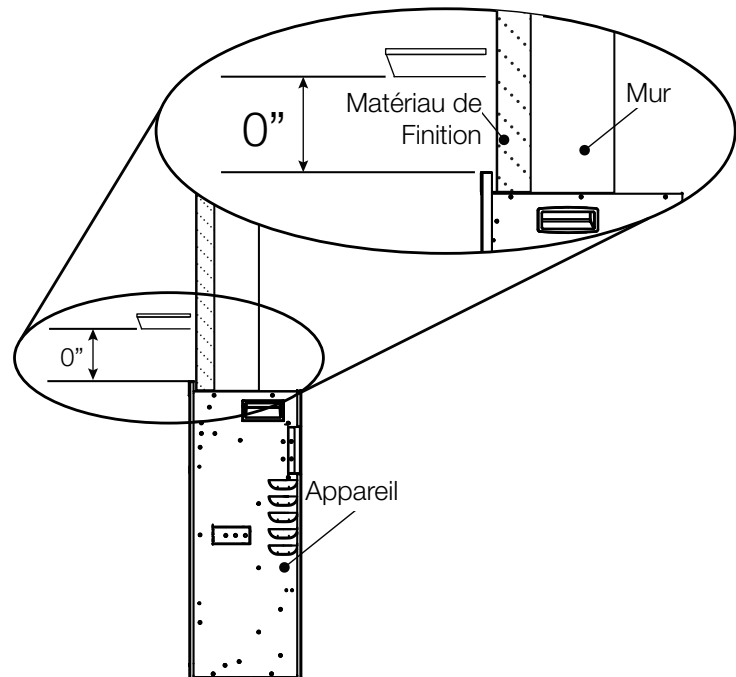
Les mesures sont prises à partir de la surface adjacente.

Bas	0"	Dessus	0" à la tablette
Côtés	0"	Dessus	0" au plafond
Arrière	0"		

### 3.2 dégagements minimaux à la tablette

## ! AVERTISSEMENT

- Lorsque vous utilisez de la peinture ou de la laque pour finir le manteau, la peinture ou la laque doit être résistante à la chaleur pour éviter la décoloration.



### ! AVERTISSEMENT

- Sélectionnez un emplacement non sujet à l'humidité et situé à au moins 91,4 cm (36 po) de matériaux combustibles tels que rideaux, meubles, literie, papier, etc.

**note:**

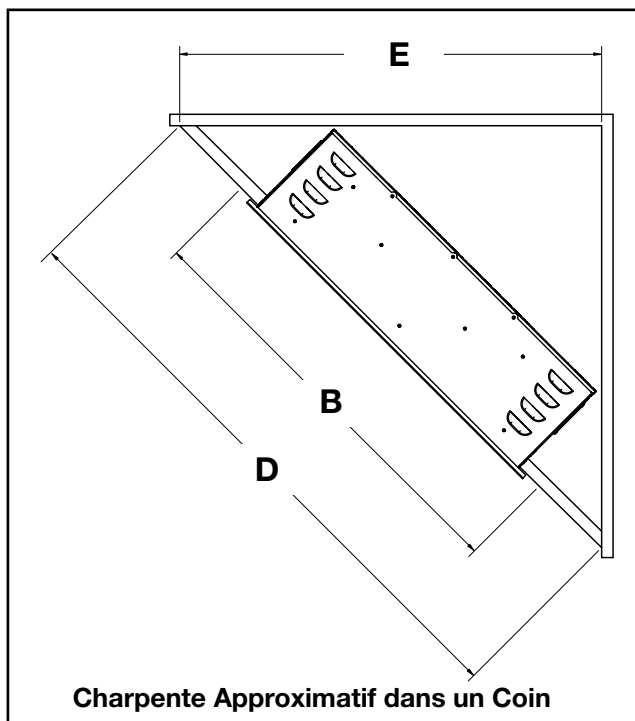
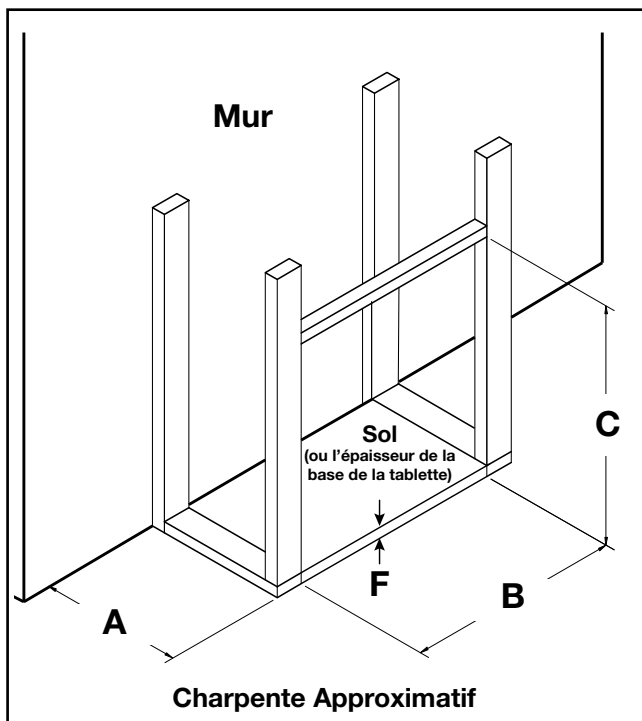
Il est recommandé de terminer la finition du mur avant de fixer complètement l'appareil.

Une fois que la charpente approximatif et les matériaux de finition ont été préparés et que l'alimentation a été acheminée vers le côté droit du renforcement, l'appareil peut être installé.

Le raccordement électrique doit être effectué avant la mise en place de l'appareil (voir la section « informations électriques »).

Demandez à deux personnes de mettre l'appareil en place.

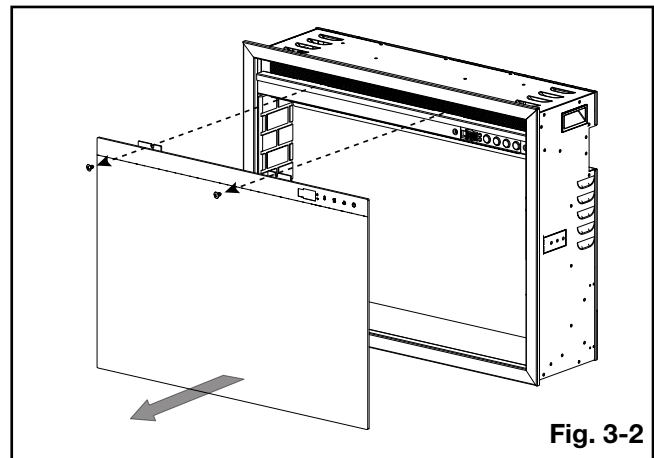
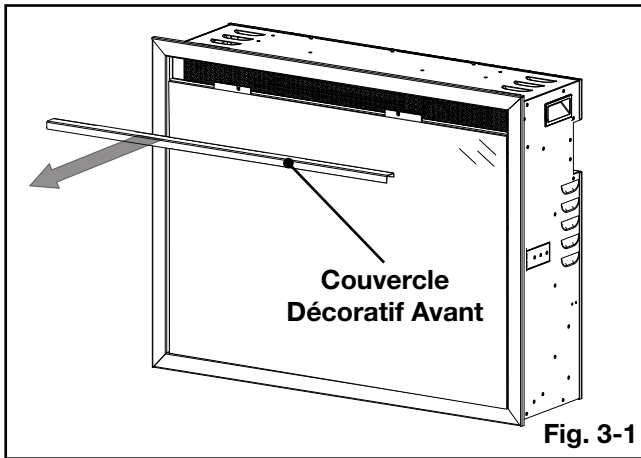
Afin d'éviter la possibilité d'un isolant exposé ou d'un pare-vapeur d'entrer en contact avec le corps de l'appareil, il est recommandé que les murs de l'enceinte de l'appareil soient «finis» (par exemple, cloison sèche / plaque de roche, etc.) comme vous le feriez pour tout autre mur extérieur d'une maison. Cela garantira que le dégagement aux combustibles est maintenu à l'intérieur de l'enceinte.



Ref.	NEFB26H	NEFB30H
A	7 3/4" (197mm)	
B	25 1/4" (641mm)	29 1/4" (743mm)
C	19 7/8" (505mm) + F	
D	39 3/4" (1010mm)	43 3/4" (1111mm)
E	28" (710mm)	30 13/16" (783mm)
F	Variera avec l'épaisseur du sol / de la base de la tablette	

## 3.4 installation et finition de l'appareil

1. Retirez le couvercle décoratif avant maintenu en place par 2 aimants (**Fig. 3-1**).
2. Avec une main sur la porte vitrée pour éviter qu'elle ne tombe, retirez les 2 vis maintenant la porte vitrée en place (**Fig. 3-2**). Retirez la porte vitrée, puis placez-la face vers le bas sur une surface douce et non abrasive.

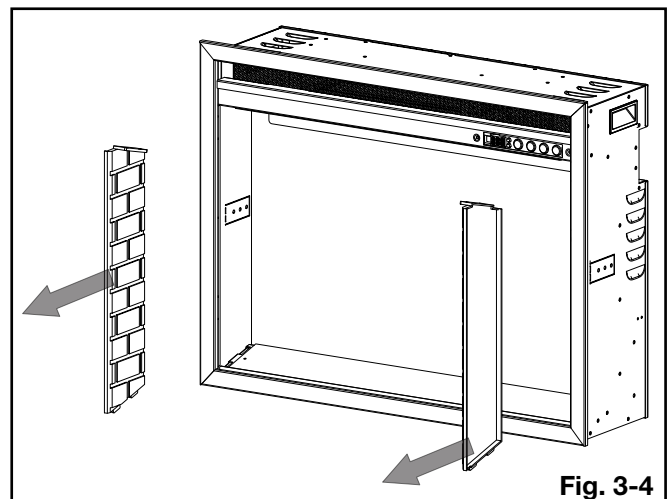
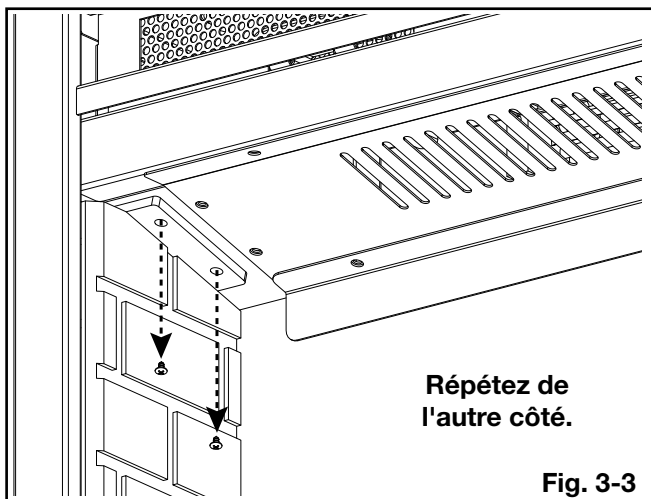


3. Retirez toutes les boîtes emballées à l'intérieur de l'appareil (voir la section « déballage et test de l'appareil »).

**note:**

Si vous avez l'intention d'encastrer l'appareil dans un mur ou une cheminée et de le faire câbler, passez aux étapes 4 à 8. Sinon, passez à l'étape 9.

4. Retirez les panneaux latéraux en brique en retirant 2 vis de chaque côté (**Fig. 3-3**). Mettez les vis et les panneaux de côté (**Fig. 3-4**).



5. Complétez le branchement par câble (voir la section « informations électriques »).

# installation

FR

## note:

Il est recommandé de terminer la finition du mur avant de fixer complètement l'appareil (**Fig. 3-5**).

6. Soulevez délicatement l'appareil dans la charpente finie (**Fig. 3-6**).

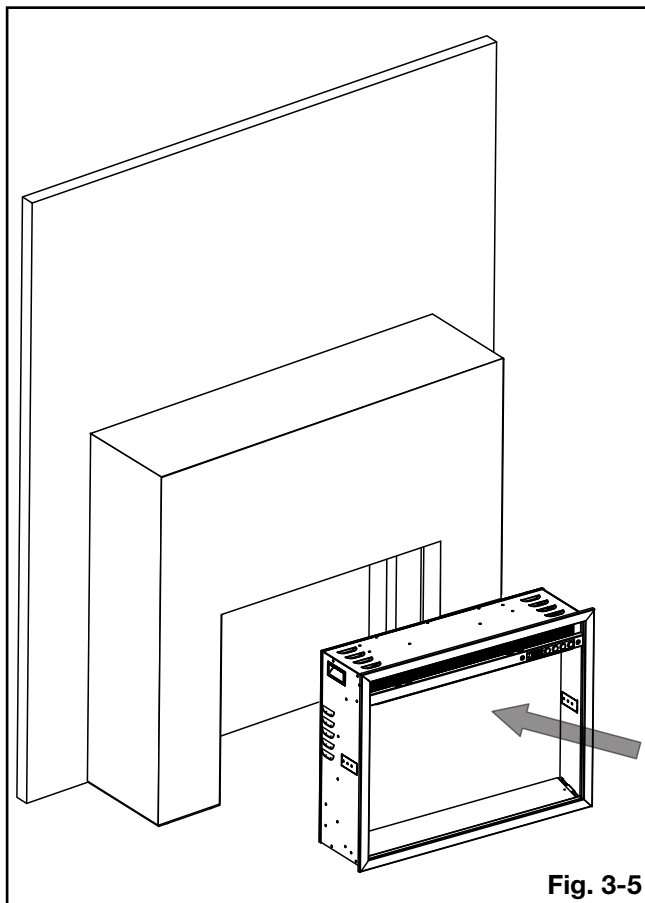


Fig. 3-5

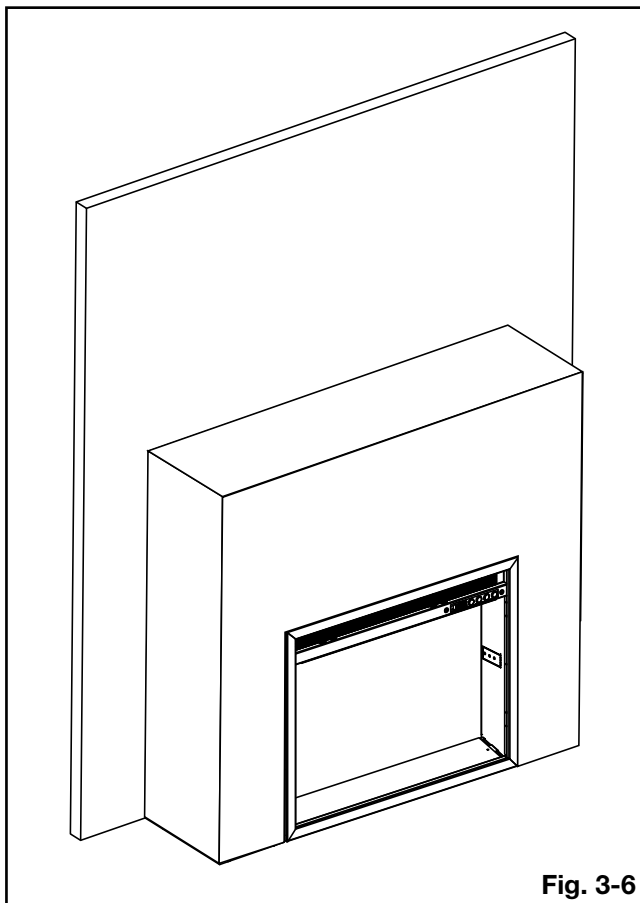


Fig. 3-6

7. Fixez l'appareil dans l'ouverture en installant 1 vis (fournie) à travers la languette de montage dans le matériau de charpente, en travaillant de l'intérieur de l'appareil (**Fig. 3-7**). Répétez de l'autre côté.

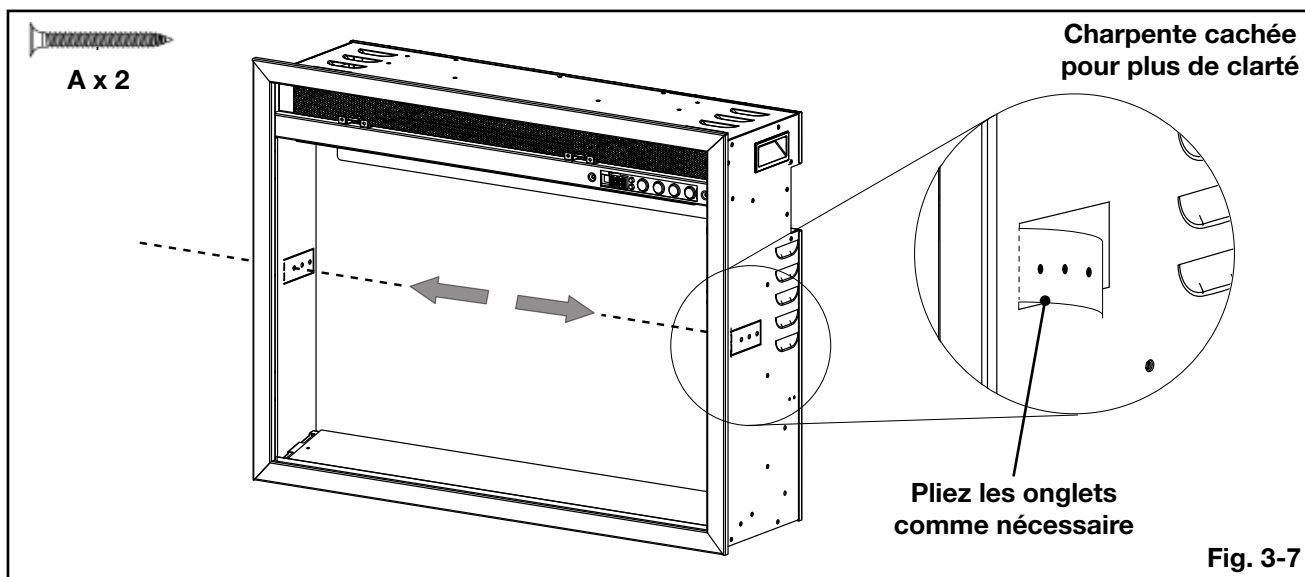
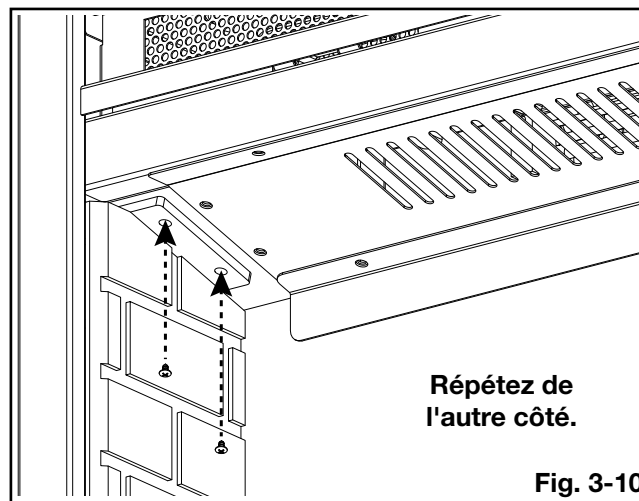
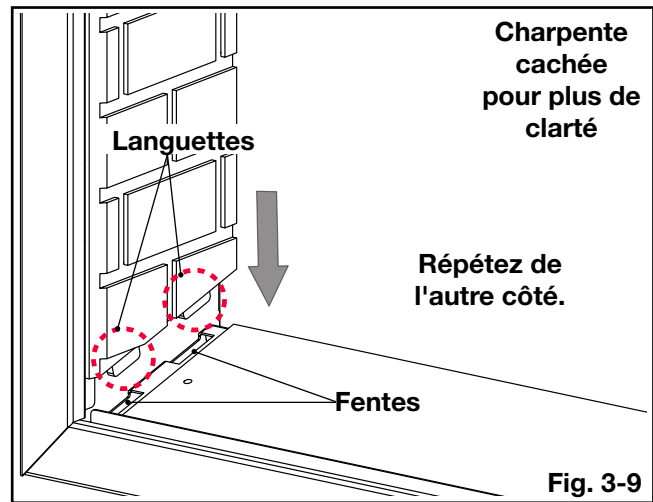
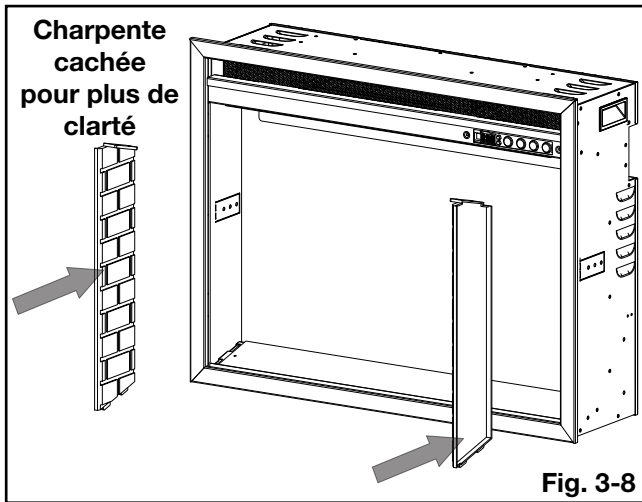


Fig. 3-7

8. Réinstallez les panneaux latéraux en brique s'ils ont été retirés (**Fig. 3-8**). Assurez-vous que les languettes s'insèrent dans les fentes le long du bas de la chambre de combustion (**Fig. 3-9**) avant de fixer les panneaux latéraux en brique en place à l'aide des 2 vis précédemment retirées à l'étape 4 (**Fig. 3-10**).



9. Installez les médias (voir la section « finition »).
10. Réinstallez la porte vitrée.
11. Réinstallez le couvercle décoratif avant maintenu en place par 2 aimants

## 4.0 informations électriques

FR

### 4.1 Installation de la fiche du cordon 120 V

Le réglage d'usine par défaut est la configuration d'installation de la fiche du cordon de 120 volts. Branchez simplement l'appareil à une prise de courant de 120 V et 15 ampères mise à la terre.

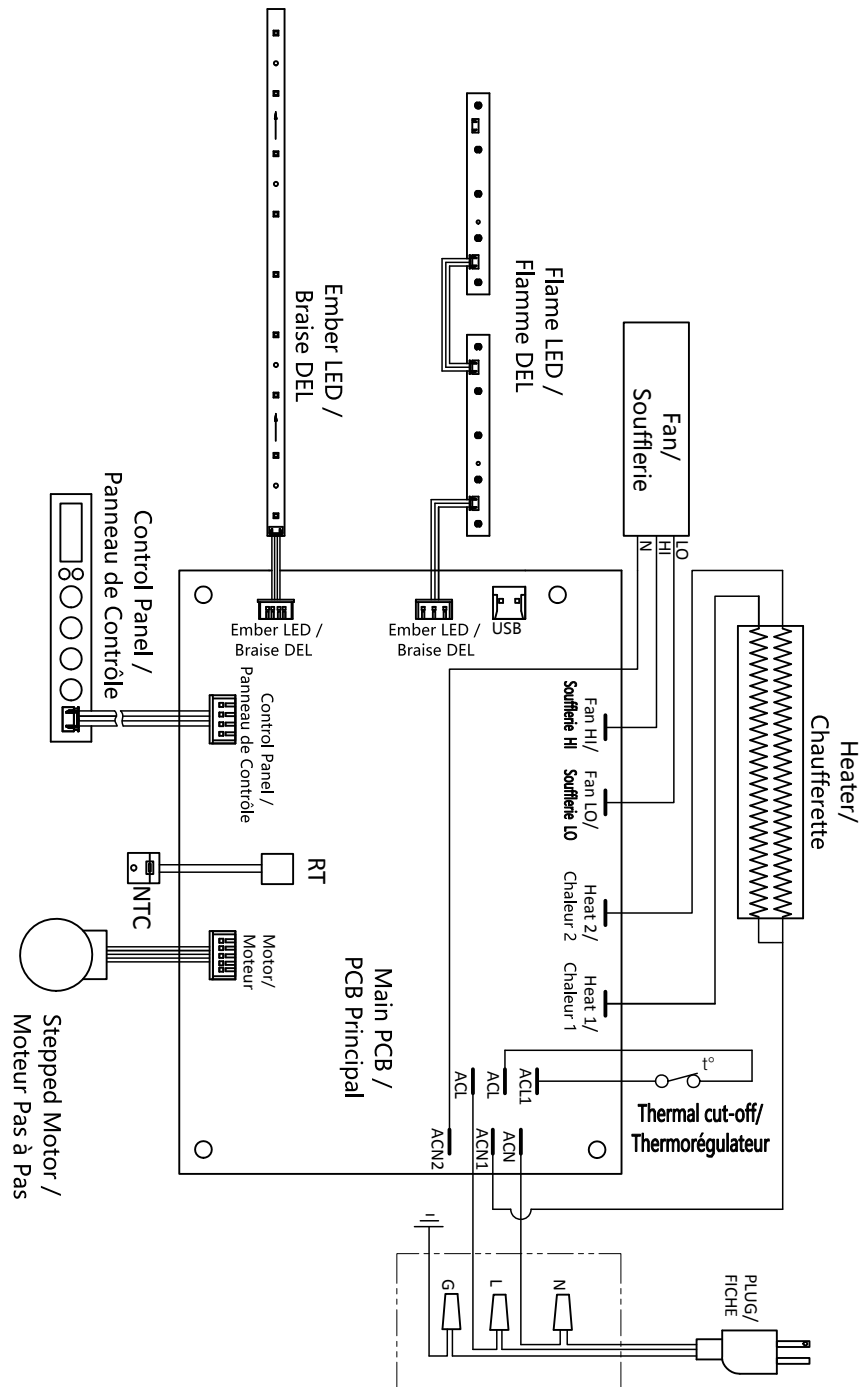
**note:**

Cet appareil doit être connecté à un circuit dédié de 15 ampères. L'utilisation d'une rallonge n'est PAS permis.

### 4.2 schéma de câblage

#### ! AVERTISSEMENT

- Éteignez complètement l'appareil et laissez-le refroidir avant de le réparer. Seul un technicien qualifié doit entretenir et réparer cet appareil électrique.





## 4.3 branchement par câble

### ⚠ AVERTISSEMENT

- Éteignez complètement l'appareil et laissez-le refroidir avant de le réparer. Seul un technicien qualifié doit entretenir et réparer cet appareil électrique.

#### BRANCHEMENT PAR CÂBLE

S'il est nécessaire de câbler cet appareil, un électricien qualifié doit retirer le cordon d'alimentation et câbler l'appareil directement au câblage domestique. Le fil et le disjoncteur d'alimentation doivent être conçus pour 120 V, minimum 15 ampères.

Cet appareil doit être câblé électriquement et mis à la terre conformément aux codes locaux ou, en l'absence de codes locaux, à la dernière édition du National Electrical Code ANSI / NFPA 70 aux États-Unis ou du Canadian Electrical Code CSA C22.1 au Canada.

- Retirez les 4 vis fixant le cordon et la plaque de recouvrement sur le côté de la chambre de combustion (**Fig. 4-1**).
- Dévissez les serre-fils fixant le cordon d'alimentation.
- Installez le nouveau soulèvement de traction (fourni) (**Fig. 4-2**) dans la nouvelle plaque de recouvrement (fournie) et faites passer le fil conducteur 14/2 à travers le soulèvement de traction.
- Connectez les fils de terre / de liaison ensemble.
- Connectez le fil N d'alimentation au fil N dans la boîte de jonction.
- Connectez L1 à L1 de l'appareil.
- Une fois les fils fixés, introduisez soigneusement les fils dans la chambre de combustion et fixez encore la plaque de recouvrement.



B x 1



C x 1

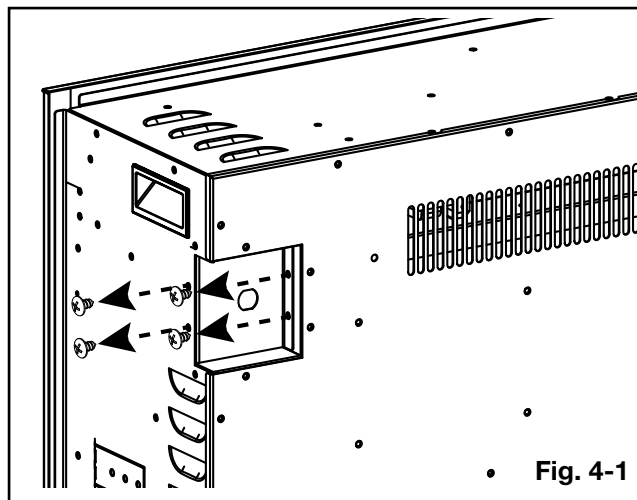


Fig. 4-1

Vue Arrière de l'Appareil

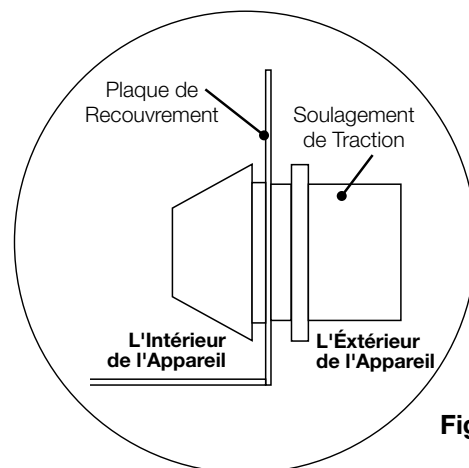
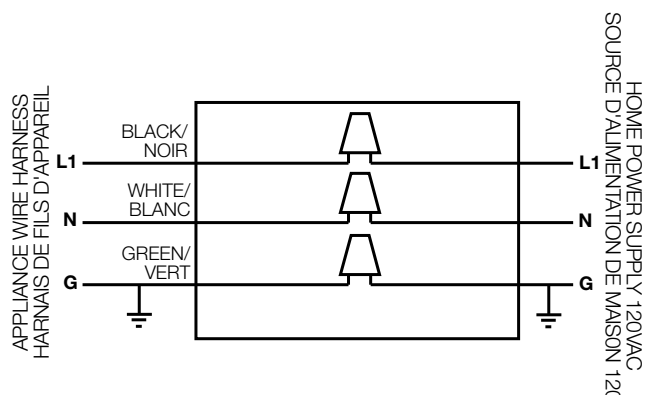


Fig. 4-2

## 5.0 finition

FR

### **!** AVERTISSEMENT

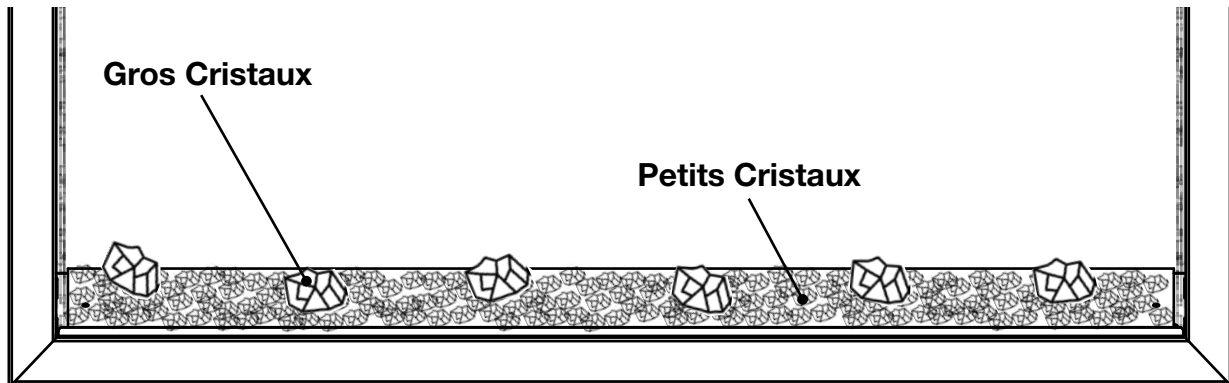
- Le service d'alimentation électrique doit être terminé avant la finition pour éviter la reconstruction.
- Les événements de chaleur et les ouvertures d'aération ne peuvent en aucun cas être couverts.

**note:**

Plusieurs options multimédias sont fournies.

### 5.1 installation des cristaux

1. Retirez la porte vitrée (voir la section « installation »).
2. Placez soigneusement une couche uniforme de petits cristaux sur le plateau de support.
3. Placez au hasard les gros cristaux (**Fig. 5-1**).
4. Réinstallez la porte vitrée.

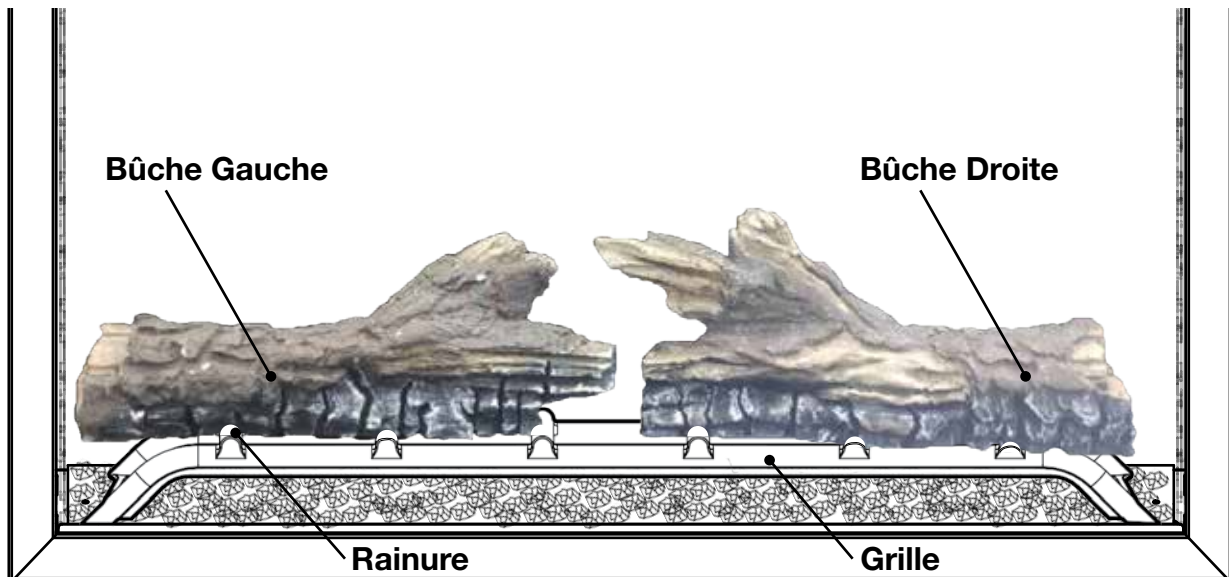


À titre d'illustration seulement.

Fig. 5-1

### 5.2 installation des bûches, de la grille, et des cristaux

1. Retirez la porte vitrée (voir la section « installation »).
2. Placez la grille sur le plateau de support. Assurez-vous qu'il est stable.
3. Placez soigneusement une couche uniforme de petits cristaux sur le plateau de support.
4. Placez les bûches (gauche et droite) sur le dessus de la grille, en utilisant les rainures le long du bas des bûches comme guides (**Fig. 5-2**).
5. Réinstallez la porte vitrée.



À titre d'illustration seulement.

Fig. 5-2

## 6.0 instructions de fonctionnement

FR







### AVERTISSEMENT

- Assurez-vous que les disjoncteurs de la maison pour l'alimentation du circuit sont allumés. Lors de la connexion initiale de l'appareil à une source d'alimentation, l'appareil émet un bip pour indiquer le mode veille.

Une fois l'appareil branché sur une prise électrique mise à la terre ou câblé à un Alimentation 120V, il est prêt à fonctionner.

### 6.1 fonctionnement du panneau de contrôle



<b>Alimentation</b>		Allume / éteint l'appareil.																						
<b>Contrôle de Température</b>		<p>Contrôle la température de l'appareil.</p> <p><b>11 Réglages:</b></p> <table border="1"> <tr> <td>°C</td> <td>18</td> <td>19</td> <td>20</td> <td>21</td> <td>22</td> <td>23</td> <td>24</td> <td>25</td> <td>26</td> <td>27</td> </tr> <tr> <td>°F</td> <td>64</td> <td>66</td> <td>68</td> <td>70</td> <td>72</td> <td>74</td> <td>76</td> <td>78</td> <td>80</td> <td>82</td> </tr> </table> <p><b>NOTE:</b> Lorsque le réglage est ° C ou ° F, la commande de température est désactivée. Maintenez le bouton enfoncé pendant 5 secondes pour faire passer la température de ° C à ° F et vice versa.</p>	°C	18	19	20	21	22	23	24	25	26	27	°F	64	66	68	70	72	74	76	78	80	82
°C	18	19	20	21	22	23	24	25	26	27														
°F	64	66	68	70	72	74	76	78	80	82														
<b>Chauffage</b>		<p>Allume / éteint le chauffage et le ventilateur.</p> <p><b>3 Réglages:</b>  H0 - Chauffage et ventilateur éteints  FAN - Ventilateur allume  H-1 - Chauffage allume</p> <p><b>NOTE:</b> La fonction de chauffage peut être désactivée / activée en maintenant le bouton enfoncé pendant 5 s. Lorsque la fonction de chauffage est désactivée, "LOC" s'affiche. Le ventilateur a un délai de 10 secondes après que le chauffage est éteint pour évacuer la chaleur résiduelle.</p>																						
<b>Flamme</b>		<p>Active / désactive l'effet de flamme.</p> <p><b>2 Réglages:</b>  F-1 - Effet de flamme activé (bleu et orange, flammes les plus brillantes)  F-0 - Effet de flamme désactivé</p>																						
<b>Lumière d'Indication pour « Mode ECO »</b>		Indique que l'appareil fonctionne en mode ECO (économie d'énergie).																						
<b>Lumière d'Indication pour « Mode Boost »</b>		Indique que l'appareil fonctionne en mode Boost (augmentation de chaleur).																						

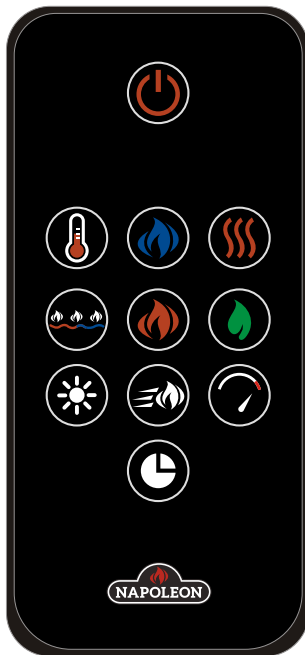
# instructions de fonctionnement


FR

## 6.2 fonctionnement de la télécommande

**note:**






Lors de l'utilisation de la télécommande, elle doit être dirigée vers l'avant du panneau de commande.



<p><b>Alimentation</b></p>		<p>Allume / éteint l'appareil.</p>
<p><b>Flamme Bleue</b></p>		<p>Contrôle la luminosité de la flamme bleue.</p> <p><b>Réglages:</b>                      BF4 - La flamme la plus brillante                      BF3 - Flamme brillante                      BF2 - Flamme faible                      BF1 - La flamme la plus faible                      BF0 - Flamme éteint</p>
<p><b>Flamme Orange</b></p>		<p>Contrôle la luminosité de la flamme orange.</p> <p><b>Réglages:</b>                      OF4 - La flamme la plus brillante                      OF3 - Flamme brillante                      OF2 - Flamme faible                      OF1 - La flamme la plus faible                      OF0 - Flamme éteint</p>
<p><b>Couleur de Lit de Braise</b></p>		<p>Contrôle les paramètres d'éclairage du lit de braises.</p> <p><b>Réglages:</b>                      L-1 - Rouge                      L-2 - Bleu                      L-3 - Vert                      L-4 - Vert clair                      L-5 - Jaune                      L-6 - Pourpre                      L-7 - Cycle automatiquement                      L-8 - Verrouillez la couleur désirée pendant le cycle</p>
<p><b>Luminosité de Lit de Braise</b></p>		<p>Contrôle la luminosité de la lumière du lit de braises.</p> <p><b>NOTE:</b> Si la couleur du lit de braises est réglée sur L-7, le paramètre de luminosité du lit de braises ne peut pas être modifié.</p> <p><b>Settings:</b>                      B-4 - La plus brillante                      B-3 - Brillante                      B-2 - Faible                      B-1 - La plus faible                      B-0 - Éteinte                      B-5 - Fondu entrant et sortant</p>
<p><b>Vitesse de la Flamme</b></p>		<p>Contrôle la vitesse de la flamme.</p> <p><b>Réglages:</b>                      S-3, S-4, S-5, S-1, S-2</p>

Suite à la page suivante



<p><b>Chauffage</b></p>		<p>Allume / éteint le chauffage et le ventilateur.</p> <p><b>Réglages:</b>                      H-0 - Chauffage et ventilateur éteints                      FAN - Ventilateur allume                      H-1 - Chauffage allume</p> <p><b>NOTE:</b> La fonction de chauffage peut être désactivée / activée en maintenant le bouton enfoncé pendant 5 s. Lorsque la fonction de chauffage est désactivée, "LOC" s'affiche. Le ventilateur a un délai de 10 secondes après que le chauffage est éteint pour évacuer la chaleur résiduelle.</p>
<p><b>Minuterie</b></p>		<p>Règle la minuterie.</p> <p><b>Réglages:</b>                      30M, 1Hr, 2Hr, 3Hr, 4Hr, 5Hr, 6Hr, 7Hr, 8Hr</p> <p><b>NOTE:</b> L'affichage indiquera "---" après avoir terminé la minuterie 9 paramètres.</p>
<p><b>Contrôle de Température</b></p>		<p>Règle la température souhaitée.</p> <p><b>NOTE:</b> Lorsque le réglage est ° C ou ° F, la commande de température est désactivée. Maintenez le bouton enfoncé pendant 5 secondes pour faire passer la température de ° C à ° F et vice versa.</p> <p><b>NOTE:</b> L'appareil a été programmé avec le contrôle de température Smart Eco. Lorsqu'il fonctionne sous contrôle de température, le radiateur fonctionnera avec une puissance réduite si la température ambiante détectée est proche de la température de réglage afin d'économiser de l'énergie. Le voyant du mode ECO s'allumera sur le panneau de commande.</p>
<p><b>Contrôle de Mode ECO</b></p>		<p>Active / désactive le mode ECO manuellement. L'appareil fonctionnera avec une puissance calorifique réduite afin d'économiser de l'énergie. Lorsque vous travaillez en mode ECO, le voyant du mode ECO s'allume sur le panneau de commande.</p> <p><b>Réglages:</b>                      ECO - Activer le mode ECO manuellement                      OFF - Désactiver le mode ECO</p>
<p><b>Contrôle de Mode Boost</b></p>		<p>Active le mode Boost manuellement. L'appareil fonctionnera avec une puissance thermique maximale et une vitesse de ventilation plus rapide afin de produire plus de chaleur rapidement. Lorsque vous travaillez en mode Boost, le voyant du mode Boost s'allume sur le panneau de commande.</p> <p><b>Réglages:</b>                      BST 10M - Activer le mode Boost pendant 10 minutes                      BST 20M - Activer le mode Boost pendant 20 minutes                      BST 30M - Activer le mode Boost pendant 30 minutes                      OFF - Désactiver le mode Boost</p>

# instructions de fonctionnement

FR

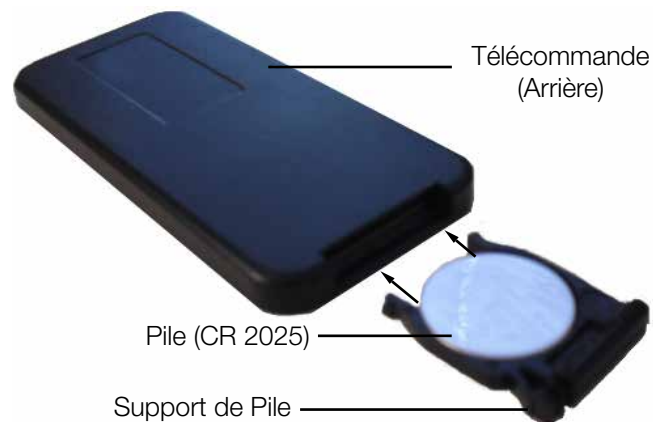
## 6.3 installation des piles de la télécommande

### **! AVERTISSEMENT**

- Cette télécommande nécessite des piles bouton qui sont dangereuses pour les jeunes enfants.
- **AVERTISSEMENT! GARDER LES PILES HORS DE LA PORTÉE DES ENFANTS.**
- La déglutition peut entraîner des blessures graves ou la mort en aussi peu que 2 heures en raison de brûlures chimiques et d'une perforation potentielle de l'œsophage.
- Si vous pensez que votre enfant a avalé ou inséré une pile bouton, consultez immédiatement un médecin.
- Examinez les appareils et assurez-vous que le compartiment à piles est correctement fixé (c'est-à-dire que la vis ou autre attache mécanique est serrée). Ne pas utiliser si le compartiment n'est pas sécurisé.
- Jetez immédiatement et en toute sécurité les piles boutons usagées. Les piles déchargées peuvent toujours être dangereuses.
- Parlez aux autres des risques associés aux piles boutons et de la manière de protéger leurs enfants.



- A. Pour remplacer la batterie existante, retirez le support de pile.
- B. Pour retirer le support de pile, tournez la télécommande vers l'avant et poussez le levier latéral gauche vers le centre tout en tirant le support de pile à l'aide de la fente fournie.
- C. Remplacez la pile existante, type CR 2025, par une nouvelle pile et réinstallez le support de pile dans la télécommande en le faisant glisser en position.
- D. Le support de pile est fixé dans la télécommande lorsqu'un clic se fait entendre.



Les piles doivent être mises au rebut conformément aux lois et à la réglementation locales. Certaines piles peuvent être recyclées et acceptées dans votre centre de recyclage local. Renseignez-vous auprès de votre municipalité au sujet des directives de recyclage.

## 7.0 entretien

### **! AVERTISSEMENT**

- Éteignez toujours l'appareil de chauffage et débranchez le cordon d'alimentation de la prise avant de nettoyer, d'effectuer l'entretien ou de déplacer cet appareil. Le non-respect de cette consigne peut entraîner un choc électrique, un incendie ou des blessures.
- Ne jamais plonger dans l'eau ou vaporiser avec de l'eau. Cela pourrait entraîner un choc électrique, un incendie ou des blessures.

#### **Métal:**

- Polir à l'aide d'un chiffon doux légèrement imbibé d'un produit à base d'huile d'agrumes.
- N'utilisez pas de vernis pour laiton ou de nettoyeurs ménagers car ces produits endommageraient la garniture métallique.

#### **Verre:**

- Utilisez un nettoyant de bonne qualité vaporisé sur un chiffon ou une serviette. Séchez soigneusement avec une serviette en papier ou un chiffon non pelucheux.
- N'utilisez jamais de nettoyeurs abrasifs, de sprays liquides ou de nettoyeurs qui pourraient rayer la surface.

#### **Événements:**

- Utilisez un aspirateur ou un plumeau pour enlever la poussière et la saleté des zones de chauffage et de ventilation.

#### **Plastique:**

- Essuyez doucement avec un chiffon légèrement humide et une solution douce de savon à vaisselle et d'eau tiède.
- N'utilisez jamais de nettoyeurs abrasifs, de sprays liquides ou de nettoyeurs qui pourraient rayer la surface.

### **AVERTISSEMENT**

- Omettre de positionner les pièces conformément à ce manuel ou d'utiliser uniquement des pièces spécifiquement approuvées pour cet appareil peut causer des dommages matériels ou des blessures corporelles.

Contactez votre détaillant pour les questions concernant les prix et la disponibilité des pièces de remplacement. Normalement, toutes les pièces peuvent être commandées chez votre détaillant autorisé.

**Pour un remplacement de pièce sous garantie, une photocopie de la facture originale sera requise afin de pouvoir honorer la demande.**

Lorsque vous commandez des pièces, donnez toujours l'information suivante:

- Modèle et numéro de série de l'appareil
- Date d'installation de l'appareil
- Numéro de la pièce
- Description de la pièce
- Fini

**Pièces, numéro des pièces et s'il soit disponible peut changer sans préavis.**

**Parties identifiées comme garnie seront livrés dans 2 à 5 jours pour la plupart des destinations de livraison.**

**Pièces non identifiées que stockés seront livrés dans un délai de 2 à 4 semaines pour la plupart des cas.**

**Pièces identifiées comme « SO » sont commande spéciale et peuvent prendre jusqu'à 90 jours pour la livraison.**

Pour le service après-vente, veuillez appeler le 1-866-820-8686.

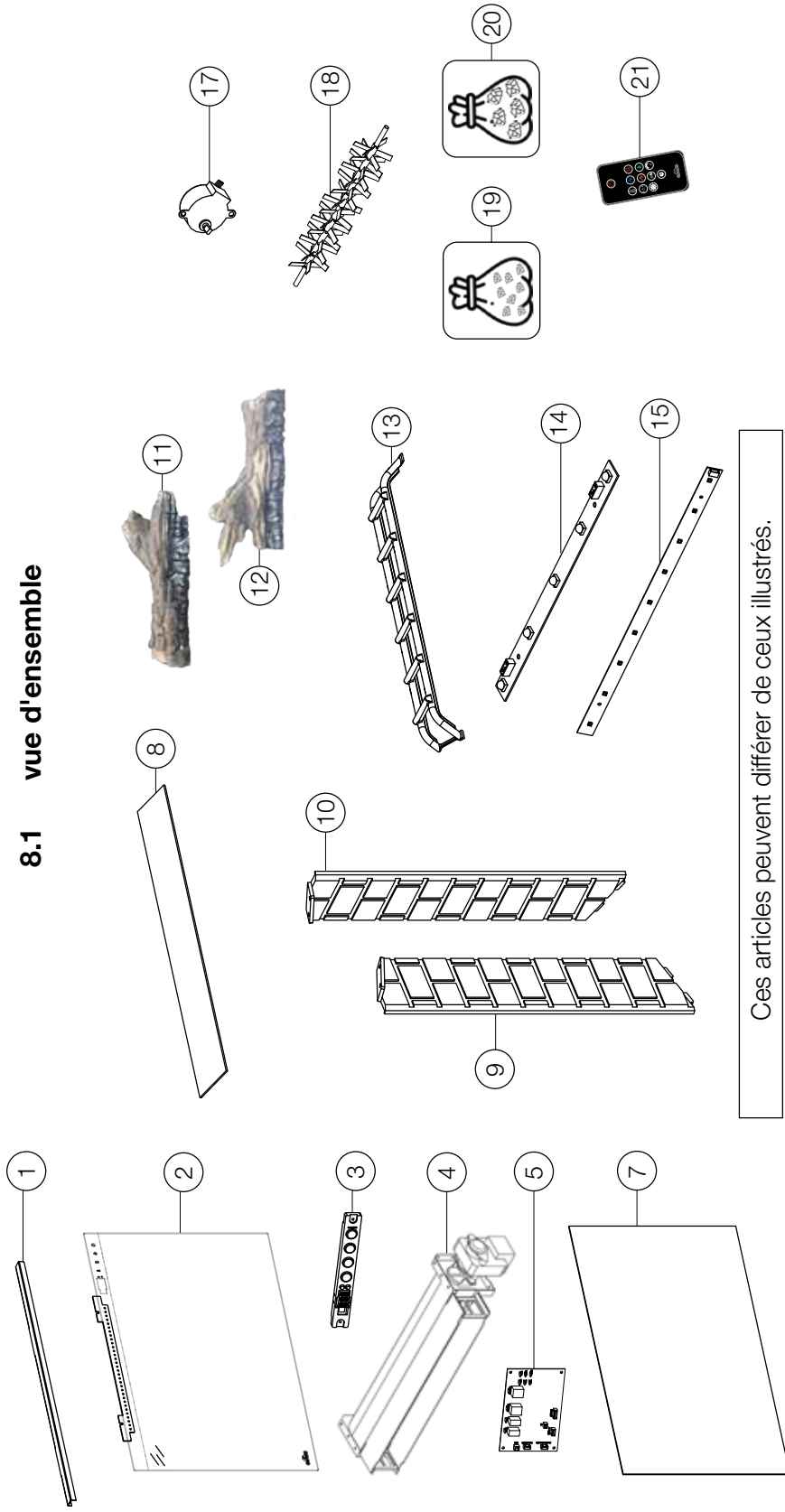
#### **note:**

Des précautions doivent être prises lors du retrait et de la mise au rebut de tout verre brisé ou de tout composant endommagé. Assurez-vous d'aspirer tout verre brisé de l'intérieur de l'appareil avant de l'utiliser.

# pièces de rechange

FR

## 8.1 vue d'ensemble



Ces articles peuvent différer de ceux illustrés.

Réf.	No. de Pièce	Description	En Stock
1	G200-0020	Couvercle décoratif avant (NEFB26H)	Oui
1	G200-0021	Couvercle décoratif avant (NEFB30H)	Oui
2	G010-0111	Assemblage, porte vitrée (NEFB26H)	Oui
2	G010-0112	Assemblage, porte vitrée (NEFB30H)	Oui
3	G010-0118	Assemblage, panneau de contrôle	Oui
4	G010-0113	Assemblage, ventilateur et chauffage	Oui
5	G190-0010	Carte PCB principale	Oui
6 *	G190-0012	Capteur de thermostat	Oui
7	G565-0035	Écran, projection de flamme (NEFB26H)	Oui
7	G565-0036	Écran, projection de flamme (NEFB30H)	Oui
8	G565-0037	Bande, lit de braises (NEFB26H)	Oui
8	G565-0038	Bande, lit de braises (NEFB30H)	Oui
9	G475-0012	Panneau, brique gauche	Oui
10	G475-0013	Panneau, brique droite	Oui

\* Parties non illustrées.

Réf.	No. de Pièce	Description	En Stock
11	G135-0016	Bûche, gauche	Oui
12	G135-0017	Bûche, droite	Oui
13	G185-0003	Grille	Oui
14	G405-0015	Lumière LED de flamme	Oui
15	G405-0016	Lumière de lit de braises (NEFB26H)	Oui
15	G405-0017	Lumière de lit de braises (NEFB30H)	Oui
16 *	G750-0053	Harnais de fils	Oui
17	W435-0117-SER	Ensemble de moteur pas à pas	Oui
18	G010-0119	Assemblage, réflecteur (NEFB26H)	Oui
18	G010-0120	Assemblage, réflecteur (NEFB30H)	Oui
19	G497-0004	Sac média, petit cristal noir (NEFB26H)	Oui
19	G497-0005	Sac média, petit cristal noir (NEFB30H)	Oui
20	G497-0006	Sac média, grand cristal noir (NEFB26H)	Oui
20	G497-0007	Sac média, grand cristal noir (NEFB30H)	Oui
21	G660-0007	Télécommande	Oui



## AVERTISSEMENT

- Coupez l'alimentation électrique à l'appareil et laissez-le refroidir avant d'effectuer un entretien. Seulement un technicien de service qualifié peut effectuer l'entretien ou la réparation de cet appareil électrique.

symptôme	problème	solution
L'appareil ne s'allume pas lorsque l'interrupteur est mis à « on ».	L'appareil n'est pas branché dans une prise de courant.	Vérifiez la prise, et branchez dans l'appareil si nécessaire.
	Branchement par câble sont incorrectes.	Voir la section « branchement par câble ».
	L'appareil a surchauffé et le dispositif de sécurité a entraîné le déclenchement de l'interrupteur thermique.	Débranchez l'appareil et le disjoncteur, laissez-le refroidir pendant 15 minutes, puis branchez l'appareil ou allumez le disjoncteur.
	Issue avec le panneau PCB principal.	Inspectez la carte de circuit imprimé et remplacez-le si nécessaire.
L'appareil s'éteint et ne se rallume pas.	Le disjoncteur de la maison s'est déclenché.	Réinitialisez le disjoncteur.
	Le fusible de l'appareil a éteint.	Remplacez le fusible.
	L'appareil a surchauffé et le dispositif de sécurité a entraîné le déclenchement de l'interrupteur thermique.	Débranchez l'appareil et le disjoncteur, laissez-le refroidir pendant 15 minutes, puis branchez l'appareil ou allumez le disjoncteur.
L'appareil est revenue à les paramètres par défaut.	Panne de courant.	Reprogramme l'appareil au paramètres d'origine (pas applicable avec tous les appareils).
La télécommande ne fonctionne pas.	Les piles sont faibles.	Remplacez les piles de la télécommande.
	Dysfonctionnement du récepteur à distance.	Assurez-vous que le récepteur à distance n'est pas bloqué. Remplacez le panneau.
L'appareil n'émet aucune chaleur.	Réglage du chauffage n'est pas sélectionné.	Voir la section « fonctionnement ».
	Le chauffage a été verrouillé.	Voir la section « fonctionnement ».
	La température ambiante est plus élevée que le réglage de l'appareil (si réglée au température de la chambre).	Réinitialisez le réglage pour la température.
	L'appareil a surchauffé et le dispositif de sécurité a entraîné le déclenchement de l'interrupteur thermique.	Débranchez l'alimentation ou éteignez le disjoncteur. Laissez l'appareil refroidir pendant 15 minutes.
	Branchement par câble sont incorrectes.	Voir la section « branchement par câble ».
	Problème avec le chauffage.	Inspectez la soufflerie and le chauffage, et les remplacez si nécessaire.
La chauffage s'éteint automatiquement.	La salle est trop chaude.	L'appareil est équipé d'un thermostat intégré et s'éteindra automatiquement lorsque la température programmée sera atteinte. Il s'allumera automatiquement lorsque la température de la pièce descendra en dessous de la température programmée.

# guide de dépannage

FR

<b>symptôme</b>	<b>problème</b>	<b>solution</b>
La luminosité du jeu de flammes est faible ou inexistante.	Éclat de flamme n'est pas sélectionné.	Voir la section « fonctionnement ».
	Problème avec les flamme DELs.	Vérifiez les DELs et remplacez-les si nécessaire.
	Problème avec le panneau PCB principal.	Vérifiez le panneau PCB principal et remplacez-le si nécessaire.
La flamme ne bouge pas.	Le moteur est calé / ne fonctionne pas	Cycle de marche / arrêt. Si le problème persiste, consultez votre détaillant.
Le lit de braises s'aillumine pas ou ne diminue pas en luminosité.	Luminosité n'est pas sélectionné.	Voir la section « fonctionnement ».
	Problème avec les DEL de braises.	Vérifiez les DEL de braises et remplacez-les si nécessaire.
	Problème avec le panneau PCB principal.	Vérifiez la panneau PCB principal et remplacez-le si nécessaire.
DEL clignote « OH ».	L'appareil a surchauffé et le dispositif de sécurité a entraîné le déclenchement de l'interrupteur thermique.	Débranchez l'appareil et le disjoncteur, laissez-le refroidir pendant 15 minutes, puis branchez l'appareil ou allumez le disjoncteur. Si le problème persiste, consultez votre détaillant.

Les appareils électriques **Napoléon** sont fabriqués conformément aux normes strictes du Système de Gestion de la Qualité mondialement reconnu ISO 9001 : 2015.

Les produits **Napoléon** sont conçus avec des composants et des matériaux de qualité supérieure, assemblés par des artisans qualifiés qui sont fiers de leur travail. Une fois assemblé, chaque appareil est soigneusement inspecté par un technicien. une agence de service ou un distributeur qualifié(e) et autorisé(e) avant d'être emballé pour garantir que vous, le client, recevez le produit de qualité dont vous vous attendez de **Napoléon**.

## Garantie Standard Des Appareils Électriques Napoléon

Les composants électriques et les pièces soumises à l'usure sont couverts et **Napoléon** fournira gratuitement les pièces de rechange durant le première année de la garantie standard. Ceci couvre: le ventilateur/l'appareil de chauffage, les moteurs, les interrupteurs, les roulements à billes en nylon, les télécommandes et les lumières de DEL.\*

Les ampoules et fusibles NE SONT PAS couvert par le garantie.

Les coûts de main-d'oeuvre relatifs aux réparations garanties ne sont pas couverts.

\*La fabrication de chaque modèle varie. La garantie s'applique uniquement aux composants disponibles avec votre appareil spécifique.

## Conditions et Limitations

**Napoléon** garantit ses produits contre les défauts de fabrication à l'acheteur d'origine seulement. L'enregistrement de la garantie n'est pas nécessaire. Fournissez simplement une preuve d'achat ainsi que le modèle et le numéro de série afin d'effectuer une réclamation de garantie. L'achat doit avoir été fait par l'entremise d'un détaillant **Napoléon** autorisé et sous réserve des conditions et limitations suivantes:

La couverture de la garantie débute à partir de la date d'installation originale.

Cette garantie du fabricant n'est pas transférable et ne peut être prolongée par aucun de nos représentants.

L'installation doit être faite conformément aux instructions d'installation incluses avec le produit et à tous les codes d'incendie et de construction locaux et nationaux.

Cette garantie standard ne couvre pas les dommages causés par un mauvais usage, un manque d'entretien, un accident, des altérations, des abus, ou de la négligence, et l'installation de pièces d'autres fabricants annulera cette garantie.

Cette garantie standard ne couvre pas non plus les égratignures, les bossellements, la corrosion ou la décoloration causée par une chaleur excessive, des produits d'entretien chimiques et abrasifs, ou l'écaillage de pièces en porcelaine émaillée, le bris par manipulation des bûches PHAZER<sup>MD</sup>.

Au cours du première année seulement, cette garantie s'étend à la réparation ou au remplacement des pièces garanties dont les matériaux ou la fabrication sont défectueux à la condition que le produit ait été utilisé conformément aux instructions de fonctionnement et dans des conditions normales.

**Napoléon** ne sera pas responsable de l'installation, de la main d'œuvre, ou autres coûts ou dépenses relatives à la réinstallation d'une pièce garantie, et de telles dépenses ne sont pas couvertes par cette garantie. Nonobstant toutes les dispositions contenues dans cette garantie standard, la responsabilité de **Napoléon** sous cette garantie est définie comme ci-dessus et elle ne s'étendra à aucun dommage accidentel, consécutif, ou indirect.

Cette garantie définit l'obligation et la responsabilité de **Napoléon** en ce qui concerne l'appareil électrique **Napoléon**.

Toute autre garantie énoncée ou implicite en ce qui concerne ce produit, ses composants ou accessoires est exclue.

**Napoléon** n'endosse, ni n'autorise aucun tiers à assumer en son nom, toutes autres responsabilités concernant la vente de ce produit.

Tous dommages causés à l'appareil, aux garnitures en laiton ou autres composants par l'eau, les dommages causés par les intempéries, de longues périodes d'humidité, la condensation, des produits chimiques, ou produits d'entretien nuisibles ne seront pas la responsabilité de **Napoléon**.

**Napoléon** se réserve le droit de demander à son représentant d'inspecter tout produit ou pièce avant d'honorer toute réclamation.

Toutes les pièces remplacées en vertu de la politique de la garantie standard ne peuvent faire l'objet que d'une seule réclamation.

Toutes les pièces remplacées au titre de la garantie seront couvertes pour une période de 90 jours à partir de leur date d'installation.

Le fabricant peut exiger que les pièces défectueuses ou les produits soient retournés ou que des photos numériques soient fournies pour valider la réclamation. Les produits retournés doivent être expédiés port payé au fabricant pour une inspection en usine. Si un produit est déclaré défectueux, le fabricant le réparera ou le remplacera.

Avant d'expédier votre appareil ou les pièces défectueuses, votre détaillant doit obtenir un numéro d'autorisation. Toute marchandise expédiée à notre usine sans autorisation sera refusée et retournée à l'expéditeur.

Les coûts d'expédition ne sont pas couverts par cette garantie.

Des frais de service supplémentaires peuvent être appliqués si vous cherchez à obtenir des services au titre de la garantie auprès d'un détaillant.

Toutes les spécifications et les conceptions sont sujettes à modifications sans préavis en raison des améliorations constantes apportées aux produits. **Napoléon** est une marque de commerce déposée de Wolf Steel Ltée.

# NAPOLÉON CÉLÈBRE PLUS DE 40 ANS D'EXISTENCE CONSACRÉS À LA CONCEPTION DE PRODUITS DE CONFORT



7200, Route Transcanadienne, Montréal, Québec H4T 1A3  
24 Napoleon Road, Barrie, Ontario, Canada L4M 0G8  
214 Bayview Drive, Barrie, Ontario, Canada L4N 4Y8  
103 Miller Drive, Crittenden, Kentucky, USA 41030  
De Riemsdijk 22, 4004 LC Tiel, Pays-Bas  
Téléphone: 1-866-820-8686  
napoleon.com