

MERIDIAN GRILLING PAVILION

Installation and Operating Instructions – YM11931



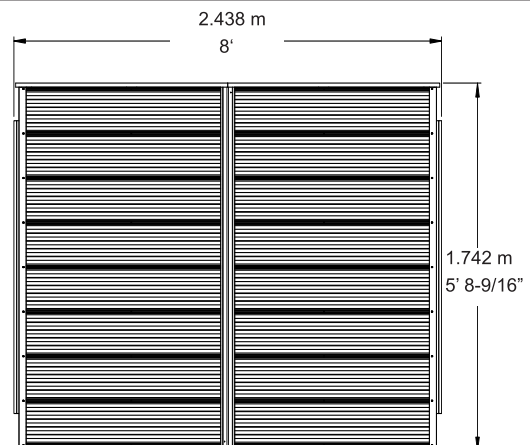
HEIGHT:
2.692 m / 8' 10"

IMPORTANT, RETAIN FOR FUTURE REFERENCE: READ CAREFULLY

Revised 05-07-2021

**YARDISTRY®**

Yardistry – North America
Toll Free Customer Support:
1.888.509.4382
info@yardistrystructures.com
www.yardistrystructures.com



Important Safety Notice!

Yardistry components are intended for privacy, decorative and ornamental use only.

Product is NOT INTENDED for the following:

- A safety barrier to prevent unsupervised access to pools, hot tubs, spas or ponds.
- As load bearing support for a building, structure, heavy objects or swings.
- Used in structures that trap wind, rain or snow that would create extra load on the product.

Accumulated snow must be removed from roof.

DO NOT climb or walk on roof for any reason.

Permanent structures may require a building permit. As the purchaser and or installer of this product you are advised to consult local planning, zoning and building inspection departments for guidance on applicable building codes and/or zoning requirements.

Wood is NOT flame retardant and will burn. Grills, fire pits and chimineas are a fire hazard if placed too close to a Yardistry structure. Consult user's manual of the grill, fire pit or chimenea for safe distances from combustible materials.

Wear gloves to avoid injury from possible sharp edges of individual elements before assembly.

During installation, follow all safety warnings provided with your tools and use OSHA approved safety glasses. Some structures may require two or more people to install safely.

Check for underground utilities before digging or driving stakes into the ground!

It is important during assembly to closely follow the instructions, complete the assembly on a solid level surface and that you follow the instruction to square up, level and anchor the structure, this will reduce the gap at wood connections during assembly.

General Information

General Information: Wood components are manufactured with Cedar (C. Lanceolata) which is protected with factory applied water-based stain. Knots, small checks (cracks) and weathering are naturally occurring and do not affect the strength of the product. Annual application of a water-based water repellent sealant or stain is important and will help reduce weathering and checks.

www.yardistrystructures.com

Questions?

Call toll free or write us at:

1 (888) 509-4382

info@yardistrystructures.com

Patents Pending

Limited Warranty

Yardistry warrants that this product is free from defect in materials and workmanship for a period of one (1) year from the original date of purchase. In addition, for any product with lumber, all lumber is warranted for five (5) years against rot and decay. This warranty applies to the original owner and registrant and is non-transferable.

Regular maintenance is required to assure the integrity of your product and is a requirement of the warranty. This warranty does not cover any inspection costs.

This Limited Warranty does not cover:

- Labour for replacement of any defective item(s);
- Incidental or consequential damages;
- Cosmetic defects which do not affect performance or integrity;
- Vandalism; improper use or installation; acts of nature, including but not limited to wind, storms, hail, floods, excessive water exposure;
- Minor twisting, warping, checking or any other natural occurring properties of wood that do not affect performance or integrity.

Yardistry products have been designed for safety and quality. Any modifications made to the original product could damage the structural integrity of the product leading to failure and possible injury. Yardistry cannot assume any responsibility for modified products. Furthermore, modification voids any and all warranties.

This product is warranted for RESIDENTIAL USE ONLY. Yardistry disclaims all other representations and warranties of any kind, express or implied.

This Warranty gives you specific legal rights. You may have other rights as well which vary from state to state or province to province. This warranty excludes all consequential damages, however, some states/provinces do not allow the limitation or exclusion of consequential damages, and therefore this limitation may not apply to you.

Instructions for Proper Maintenance

Your Yardistry structure is designed and constructed of quality materials. As with all outdoor products it will weather and wear. To maximize the enjoyment, safety and life of your structure it is important that you, the owner, properly maintain it.

HARDWARE:

- Check metal parts for rust. If found, sand and repaint using a non-lead paint complying with 16 CFR 1303.
- Inspect and tighten all hardware after completion of assembly; after first month of use; and then annually. Do not over-tighten as to cause crushing and splintering of wood.
- Check for sharp edges or protruding screw threads, add washers if required.

WOOD PARTS:

- Applying a water repellent or stain (water-based) on a yearly basis is important maintenance to maintain maximum life and performance of the product.
- Check all wood members for deterioration, structural damage and splintering. Sand down splinters and replace deteriorated wood members. As with all wood, some checking and small cracks in grain is normal
- Some gapping may occur at some wood connections.

Assembly Guides

Tools Required:

- | | | |
|----------------------------------|------------------|---------------------------|
| • Tape Measure | • Hard Hat | • 6' Step Ladder x 2 |
| • Carpenters Level | • Safety Glasses | • Square |
| • Standard or Cordless Drill | • Adult Helper | • Ratchet |
| • #2 Phillips Bit or Screwdriver | • Safety Gloves | • 7/16, 1/2 & 9/16 Socket |
| • 7/16" & 9/16" Wrench | | |

Symbols:

Throughout these instructions symbols are provided in the top, right-hand corner of the page.



- Use Help, where this is shown, 2, 3 or 4 people are required to safely complete this step. To avoid injury or damage to the assembly make sure to get some help.



- Use a measuring tape to assure proper location



- Pre-drill a pilot hole before fastening screw or lag to prevent splitting of wood.

If you dispose of your Yardistry structure: Please disassemble and dispose of your unit so that it does not create any unreasonable hazards at the time it is discarded. Be sure to follow your local waste ordinances.

Assembly Tips

Following are some helpful tips to make the assembly process smooth and efficient.

PRE-ASSEMBLIES:

(i.e. Post and Beam Assemblies, Roof Rafter Assembly, etc)

- Work on a raised, solid and flat surface such as, a table or saw horse.
- Keep all connections flush where shown in the instructions.
- When assembling the beams keep parts flat, straight and snug when connecting.

METAL PARTS:

- Roofing material may have sharp edges, wear safety gloves.
- Remove all plastic covering, on both sides of the metal panels, directly before installing each piece.
- Place roofing material on a non-abrasive surface before and after assembly as it can bend, dent and scratch easily.
- The roofing screws can easily crush the roof panels and roof edges when using a power drill. We recommend hand tightening the roofing screws so they sit snug and tight to the roofing material.

Permanent Installation Examples

Note: It is critically important you start with square, solid and level footings, concrete pad or deck to attach your Pergola Room.

We supply Post Mounts with this structure which gives you the flexibility to permanently install your structure to a pre-existing or new wood or concrete surface.

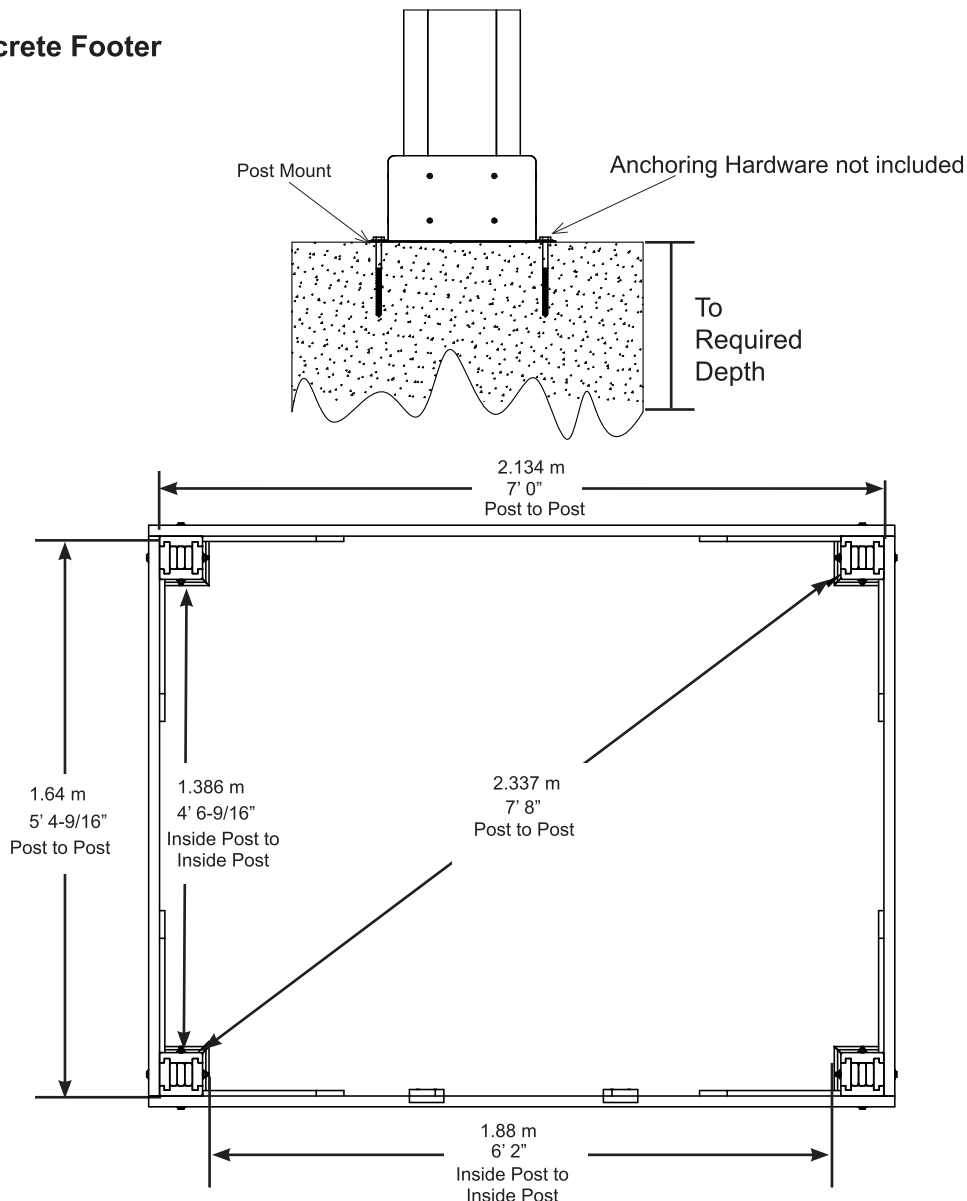
- The hardware to attach the Post Mount to the structure is included.
- The hardware to mount the structure permanently will need to be purchased separately at your local hardware store.

If you are mounting to concrete footers see below for the correct locations and placement. Please double check for possibility of any underground utilities such as gas, telephone, cable or sprinkler lines.

Following are some examples of how to mount the structure to wood or concrete surfaces.

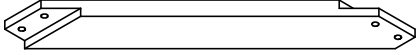
Refer to your local building and city codes, ordinances, neighbourhood covenants, or height restrictions regarding this type of structure for guidance on acceptable installation requirements.

Concrete Footer

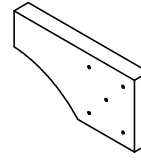


Part Identification (Dimensions are approximate and are shown to assist in the identification of parts for assembly. Actual dimensions may be smaller or larger.)

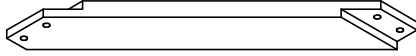
4pc. (806) - Left Gusset - 651mm (25-5/8") (Y50131-806)



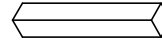
4pc. (793) - Shelf Gusset - 269.7mm (10-5/8") (Y50131-793)



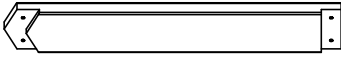
4pc. (805) - Right Gusset - 651mm (25-5/8") (Y50131-805)



4pc. (794) - Shelf Joist - 269.7mm (10-5/8") (Y50131-794)



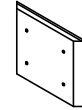
2pc. (1191) - Center Gable Upright - 535.3mm (21-1/16") (Y50131-1191)



2pc. (1190) - Right Gable Upright - 457.2mm (18") (Y50131-1190)



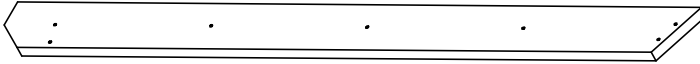
16pc. (802) - Plinth - 165mm (6-1/2") (Y50131-802)



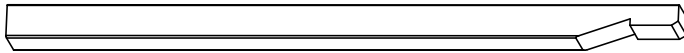
2pc. (1189) - Left Gable Upright - 457.2mm (18") (Y50131-1189)



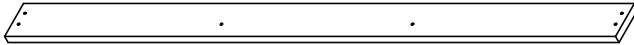
4pc. (801) - Fascia - 1345mm (52-15/16") (Y50131-801)



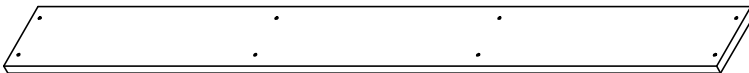
4pc. (877) - Rafter-1323.5mm (52-1/8") (Y50131-877)



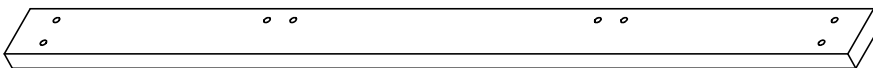
4pc. (792) - Front Back Shelf - 1385.9mm (54-9/16") (Y50131-792)



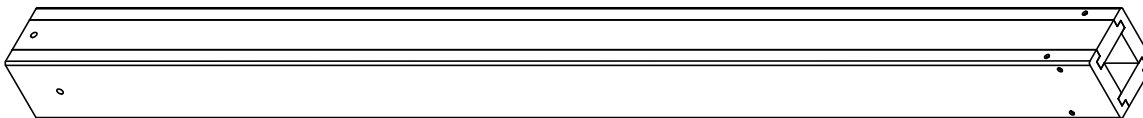
4pc. (795) - Shelf Top - 1385.9mm (54-9/16") (Y50131-795)



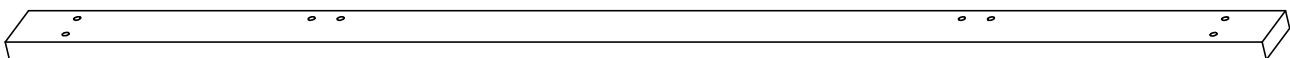
2pc. (797) - Side Beam - 1640mm (64-9/16") (Y50131-797)



4pc. (788) - Post - 2108.2mm (83") (Y70131-788)



2pc. (796) - Front Back Beam - 2197mm (86-1/2") (Y50131-796)

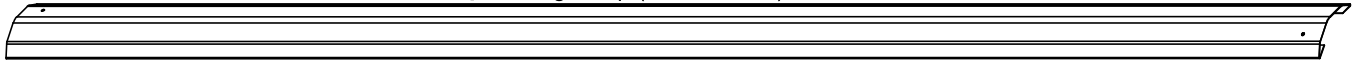


Hardware Identification (Dimensions are approximate and are shown to assist in the identification of parts for assembly. Actual dimensions may be smaller or larger.)

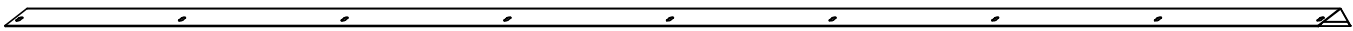
4pc. Main Panel (5 x 8) (Y01033-250)



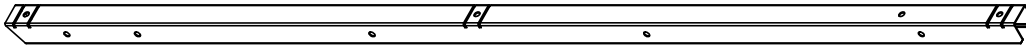
1pc. Ridge Cap (Y01033-251)



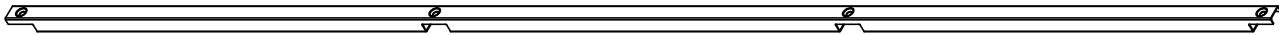
2pc. Roof Edge 67 (Y01033-254)



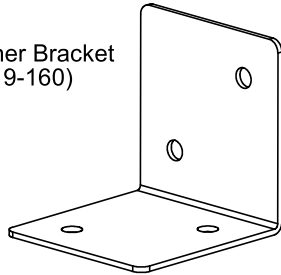
1pc. Steel Roof Rafter (8pk) (Y70829-283)



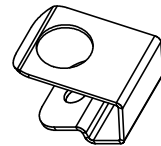
1pc. Steel Roof Strap (6pk) (Y70829-284)



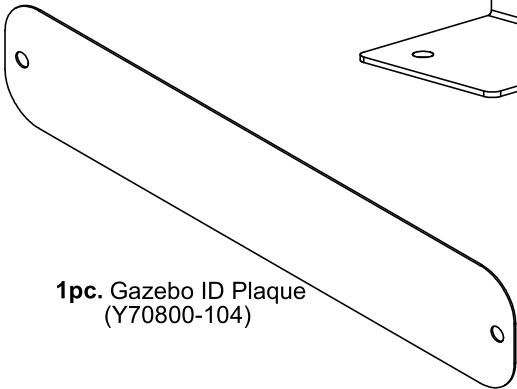
4pc. Corner Bracket (Y00419-160)



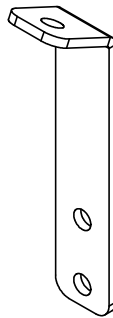
1pc. Steel Roof Cap Bracket (8pk) (Y70829-286)



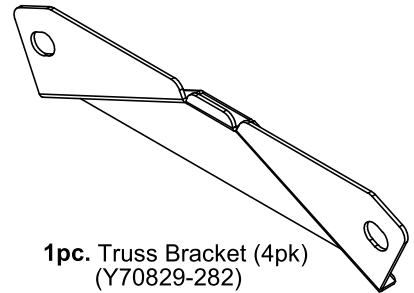
1pc. Gazebo ID Plaque (Y70800-104)



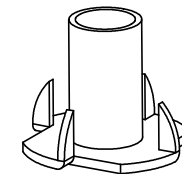
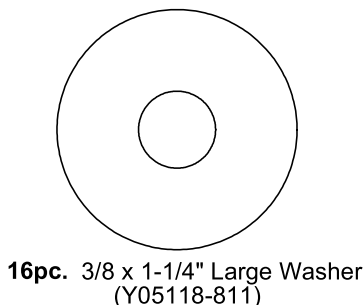
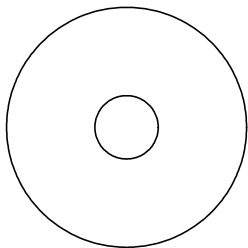
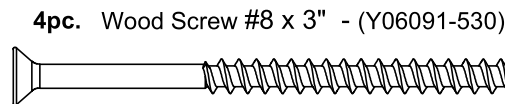
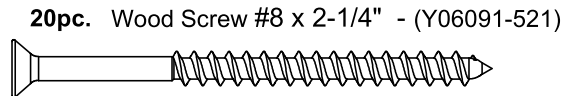
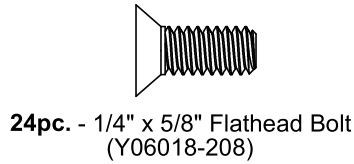
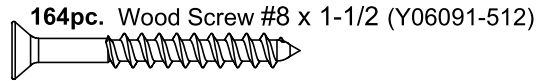
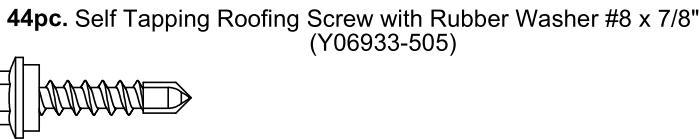
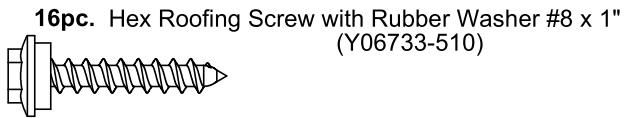
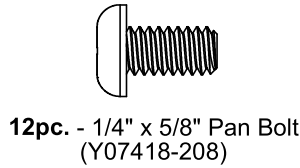
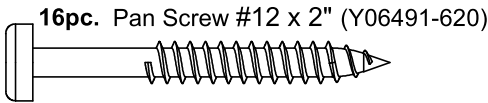
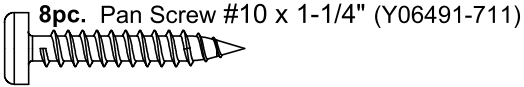
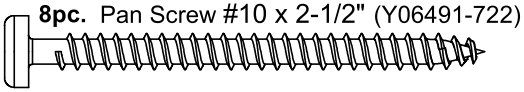
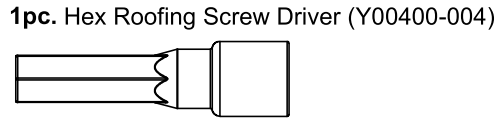
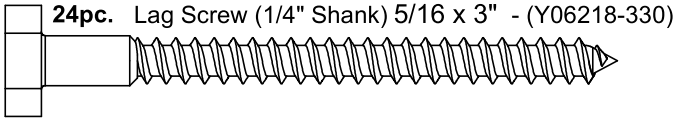
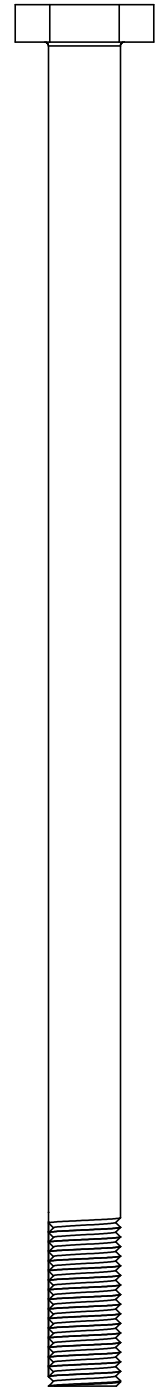
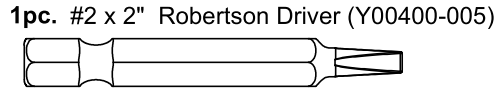
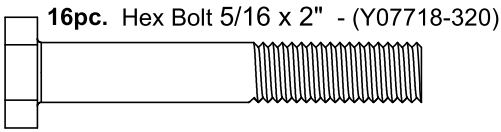
1pc. Steel Rafter to Beam Bracket (4pk) (Y70829-285)



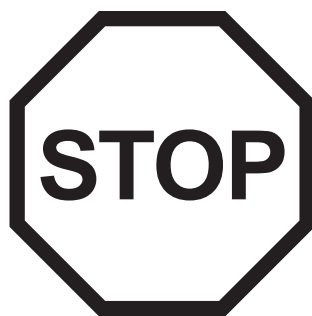
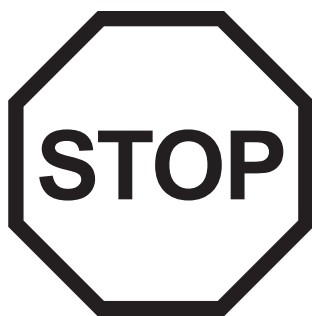
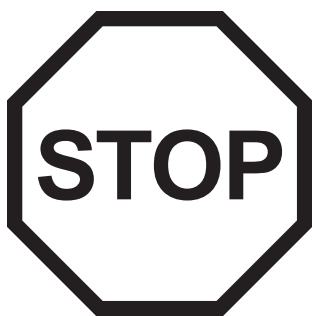
1pc. Truss Bracket (4pk) (Y70829-282)



Hardware Identification (Dimensions are approximate and are shown to assist in the identification of parts for assembly. Actual dimensions may be smaller or larger.)



Step 1: Inventory Parts - Read This Before Starting Assembly



- A. This is the time for you to inventory all your hardware, wood and accessories, referencing the parts identification sheets. This will assist you with your assembly.
- Each step indicates which bolts and/or screws you will need for assembly, as well as any flat washers, lock washers, t-nuts or lock nuts.
- B. If there are any missing or damaged pieces or you need assistance with assembly please contact the consumer relations department directly. Call us before going back to the store.

1-888-509-4382

support@yardistrystructures.com

- C. Read the assembly manual completely, paying special attention to ANSI warnings; notes; and safety/maintenance information on pages 1 - 4.
- Follow the instructions in order.
 - This structure is designed to be assembled and installed ideally by four people, DO NOT attempt to install alone.
 - Consider the slope of elevation where you plan to install the structure. Also, check for gas, telephone, other utilities or sprinkler line locations prior to excavating any holes.
- D. Before you discard your cartons fill out the form below.
- The carton I.D. stamp is located on the end of each carton.
 - Please retain this information for future reference. You will need this information if you contact the Consumer Relations Department.

PRODUCT NUMBER: YM11931

CARTON I.D. STAMP: _ _ _ _ _ (Box 1)

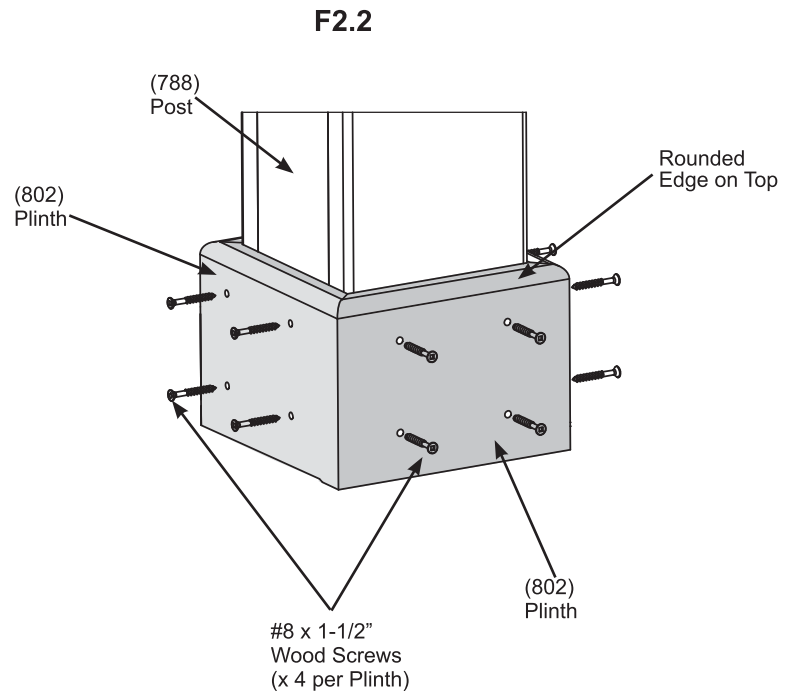
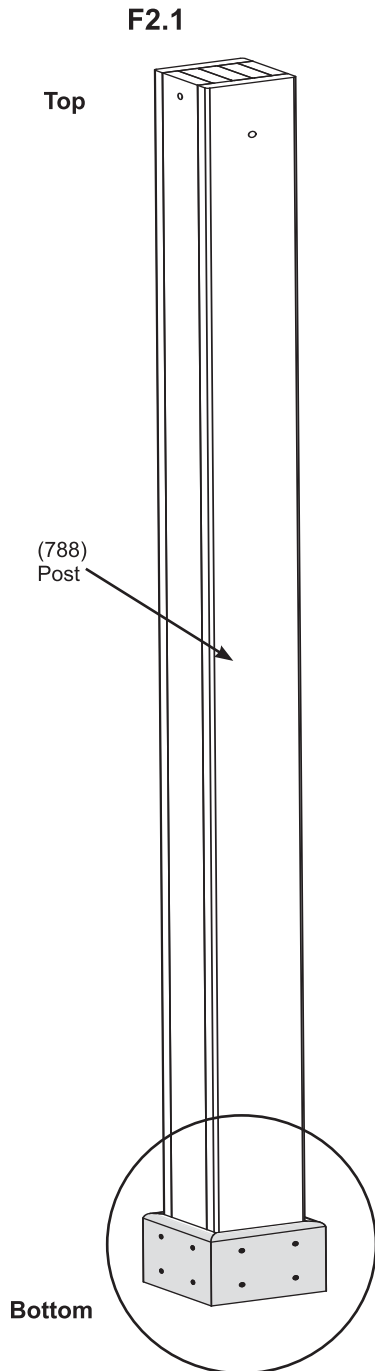
CARTON I.D. STAMP: _ _ _ _ _ (Box 2)

CARTON I.D. STAMP: _ _ _ _ _ (Box 3)

Step 2: Post Assemblies

A: At the bottom of each (788) Post, on each side of the Posts, place one (802) Plinth flush to the bottom and attach with four #8 x 1-1/2" Wood Screws per plinth. Rounded edges on top. (F2.1 and F2.2)

Note: There will be four Post Assemblies.



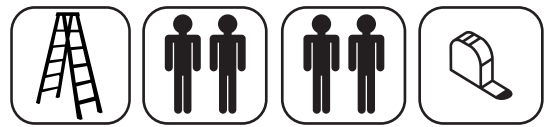
Wood Parts

4 x (788) Post
16 x (802) Plinth

Hardware

64 x #8 x 1-1/2" Wood Screw

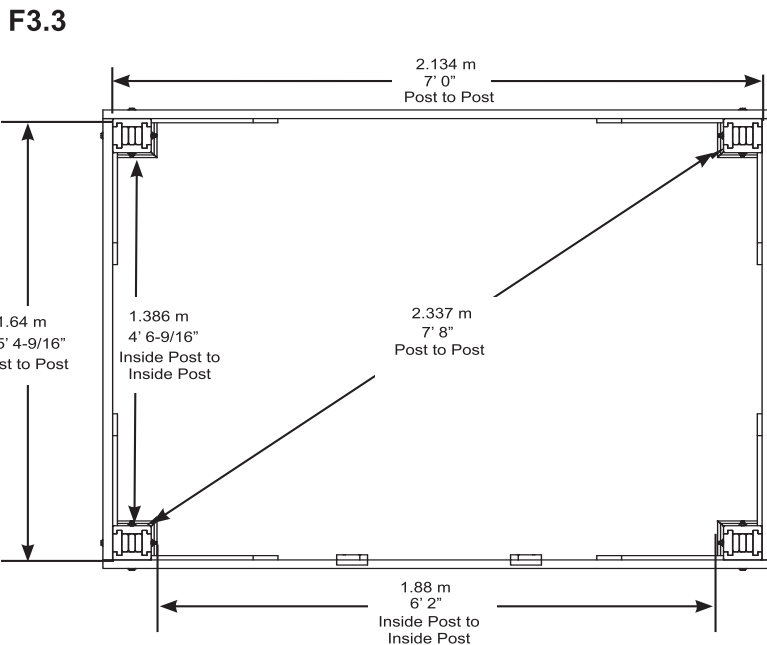
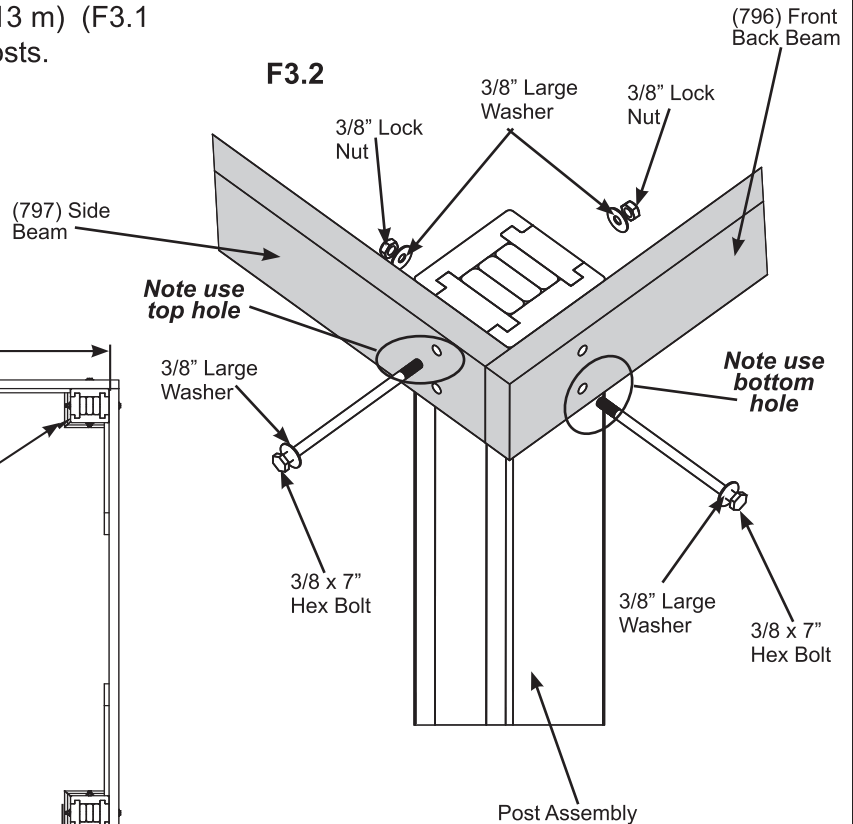
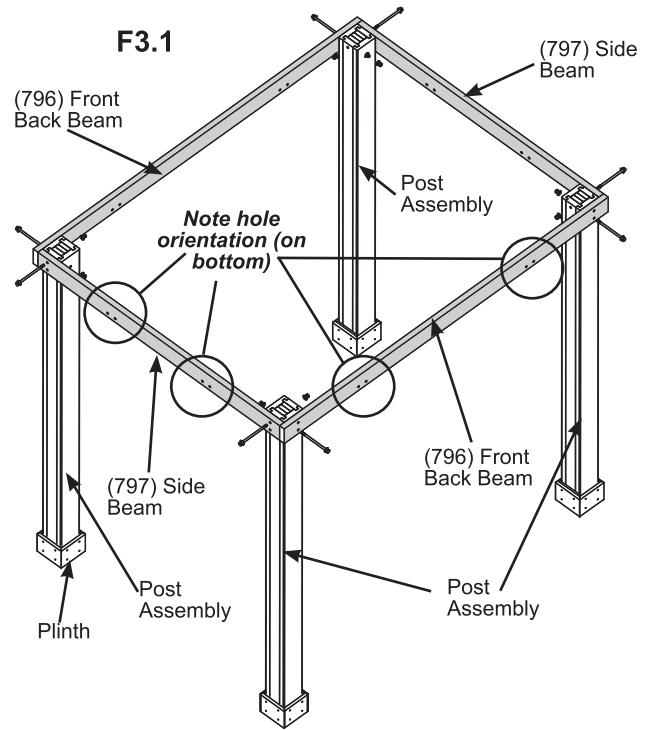
Step 3: Frame Assembly



A: Move your Post Assemblies to the final location. Make sure the ground is flat and level before continuing assembly.

B: With one person at each Post stand two complete Post Assemblies. A third person places one (797) Side Beam against the outside of two Posts, flush to the tops and outside corners. Notice bolt hole orientation on the (797) Side Beam. A fourth person attaches Beam to Post with one 3/8 x 7" Hex Bolt (with two 3/8" large washers and one 3/8" lock nut), in the top hole, per Post. Attach a second (797) Side Beam to the two remaining Post Assemblies. The distance from the outside of one Post to the outside of the second Post should be 5' 4-5/8" (1.64 m). (F3.1, F3.2 and F3.3)

C: Place one (796) Front Back Beam against the outside of two Posts, flush to the tops and outside face of (797) Side Beam. Notice bolt hole orientation on (796) Front Back Beam. Attach Beam to Post with one 3/8 x 7" Hex Bolt (with two 3/8" large washers and one 3/8" lock nut), in the bottom hole, per Post. Attach a second (796) Front Back Beam to the opposite side. The distance from the outside of one Post to the outside of the second Post should be 7' (2.13 m) (F3.1 and F3.2) See F3.3 for accurate positioning of Posts.



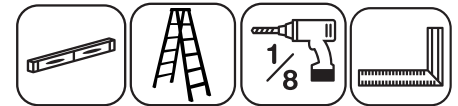
Wood Parts

- 2 x (796) Front Back Beam
- 2 x (797) Side Beam

Hardware

- 8 x 3/8 x 7" Hex Bolt (3/8" large washer x 2, 3/8" lock nut)

Step 4: Attach Gussets

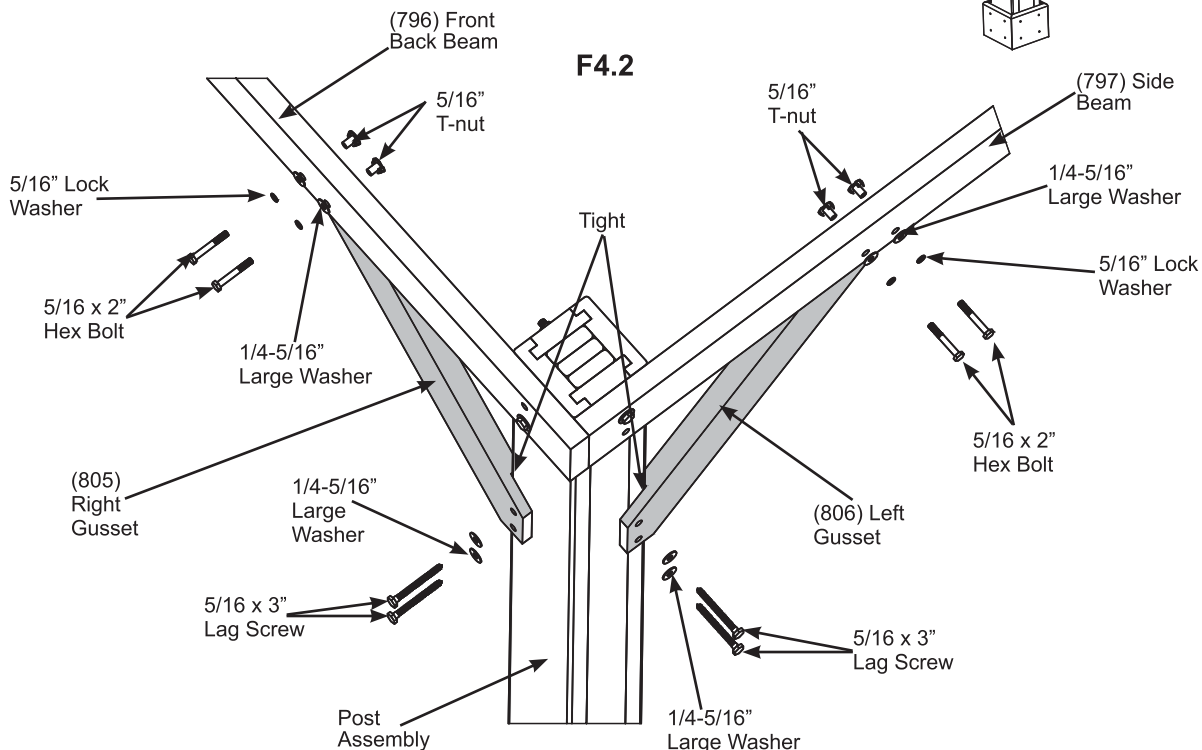
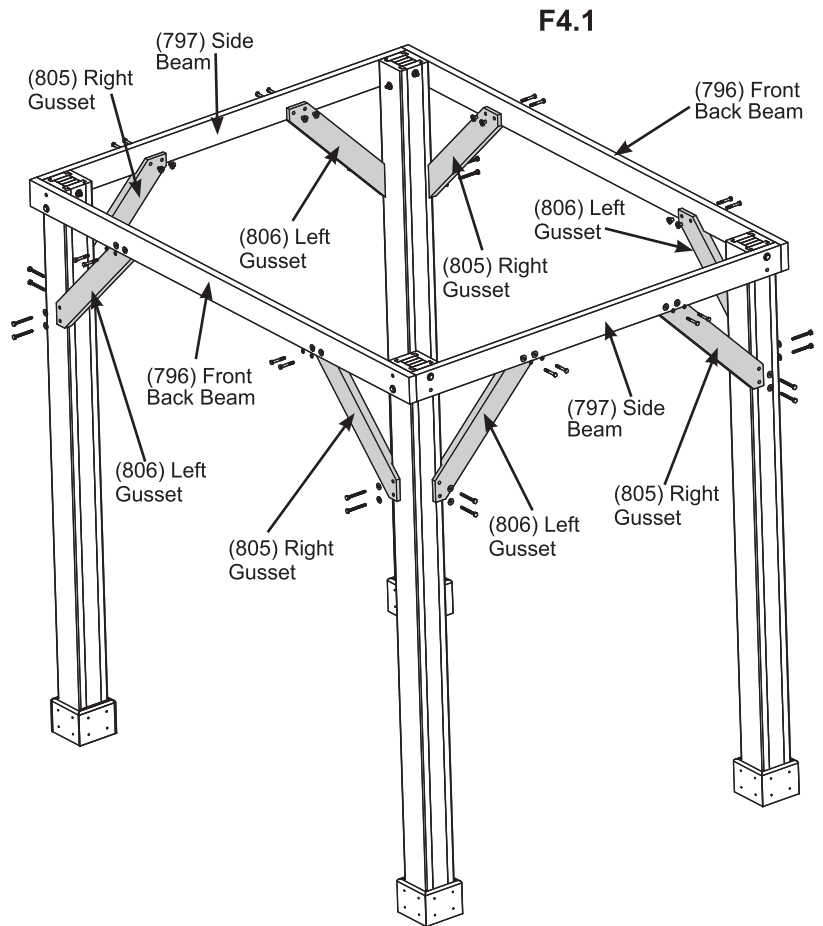


Note: The bevelled ends on each gusset should always face away from the wood it is attaching to.

A: Make sure the assembly is still square and level then facing one (797) Side Beam place one (805) Right Gusset on the right hand side so the top fits tight to the (797) Side Beam and the bottom fits tight to the Post Assembly. Attach gusset to (797) Side Beam with two 5/16 x 2" Hex Bolts (with 5/16" lock washer, 1/4-5/16" large washer and 5/16" t-nut). Pre-drill with a 1/8" drill bit then attach gusset to Post Assembly with two 5/16 x 3" Lag Screws (with 1/4-5/16" large washer). Repeat for the left hand side with one (806) Left Gusset. (F4.1 and F4.2)

B: Repeat Step A for (796) Front Back Beam. (F4.1 and F4.2)

C: Repeat Steps A and B so all 8 gussets are attached. (F4.1 and F4.2)



Wood Parts

- 4 x (805) Right Gusset
- 4 x (806) Left Gusset

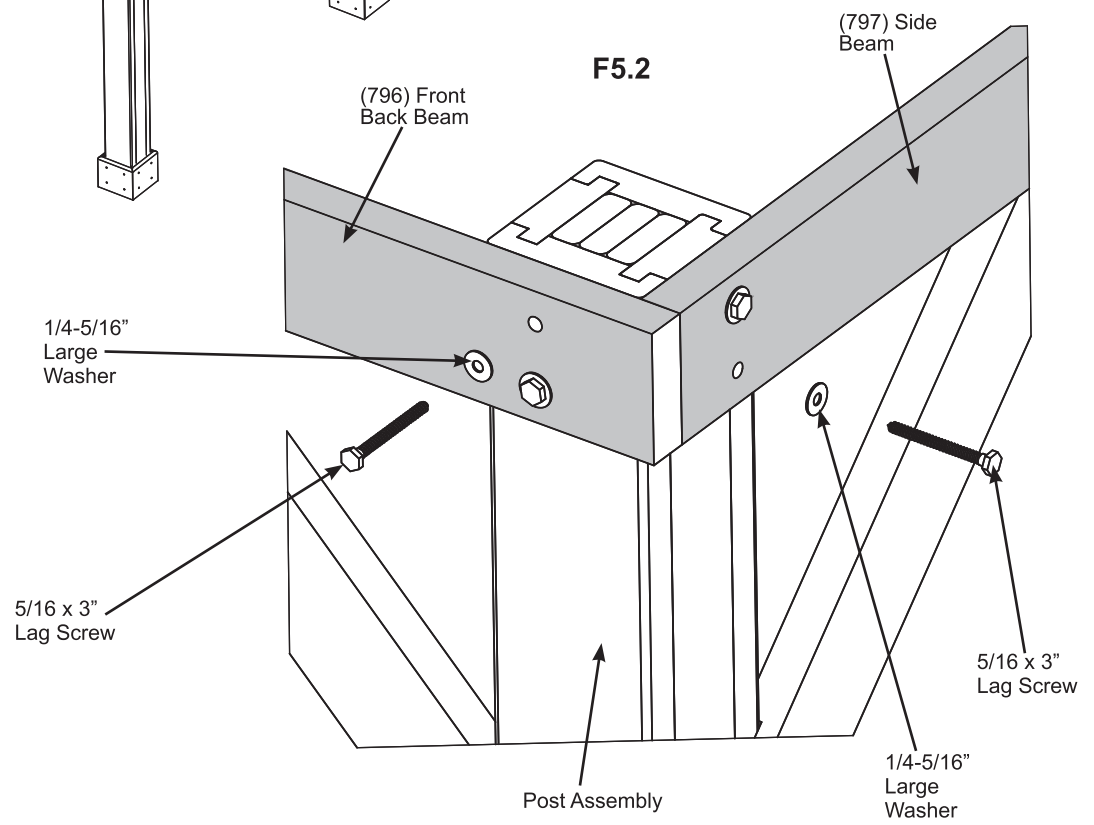
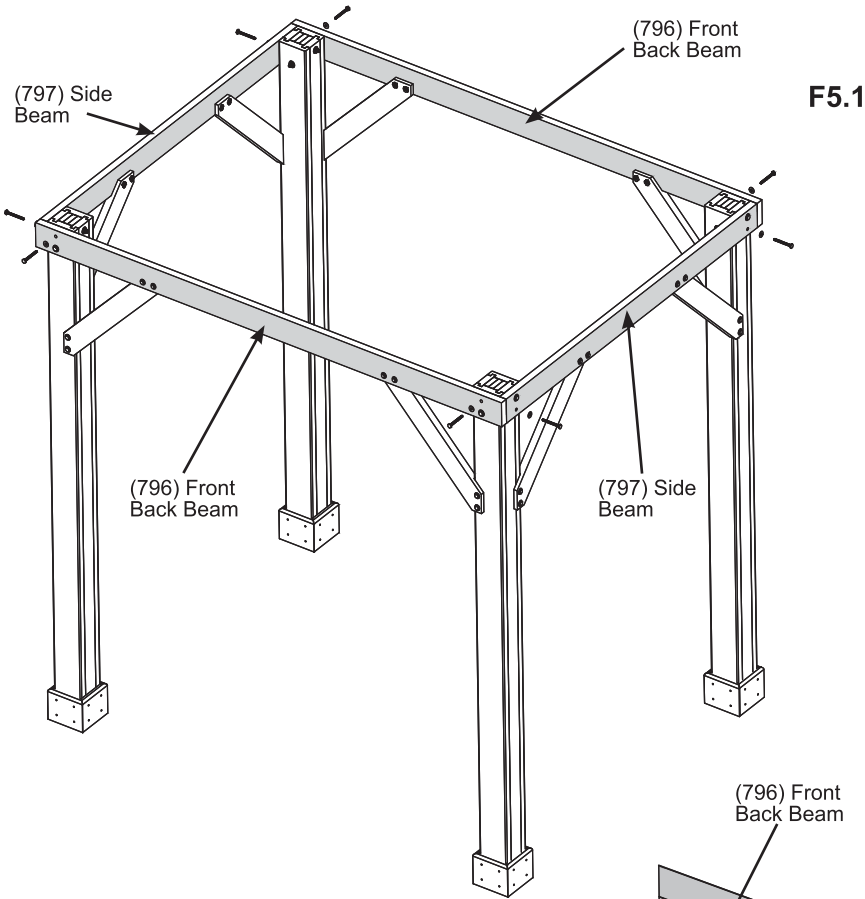
Hardware

- 16 x 5/16 x 3" Lag Screw (1/4-5/16" large washer)
- 16 x 5/16 x 2" Hex Bolt (5/16" lock washer, 1/4-5/16" large washer, 5/16" t-nut)

Step 5: Secure Frame Assembly



A: Attach (796) Front Back Beams and (797) Side Beams to Post Assemblies with two 5/16 x 3" Lag Screws (with 1/4-5/16" large washer) per corner. (F5.1 and F5.2)



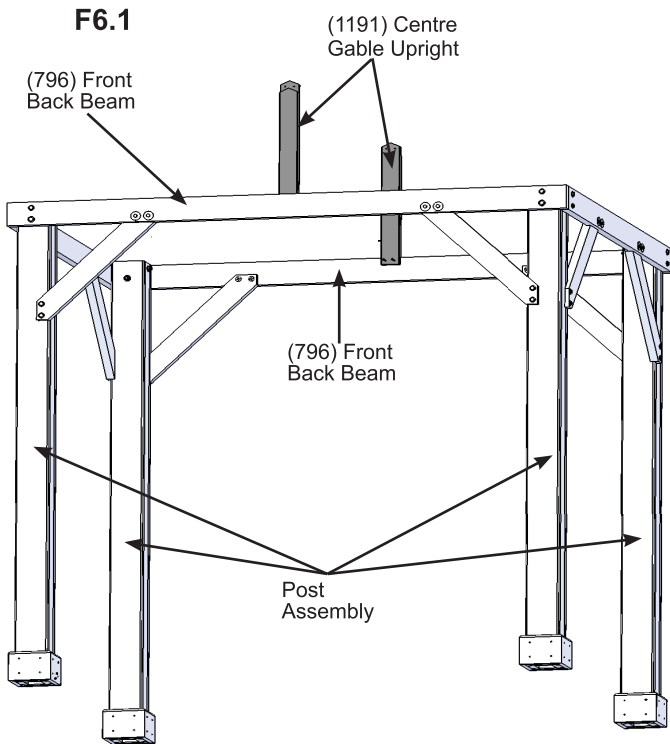
Hardware

8 x 5/16 x 3" Lag Screw (1/4-5/16" large washer)

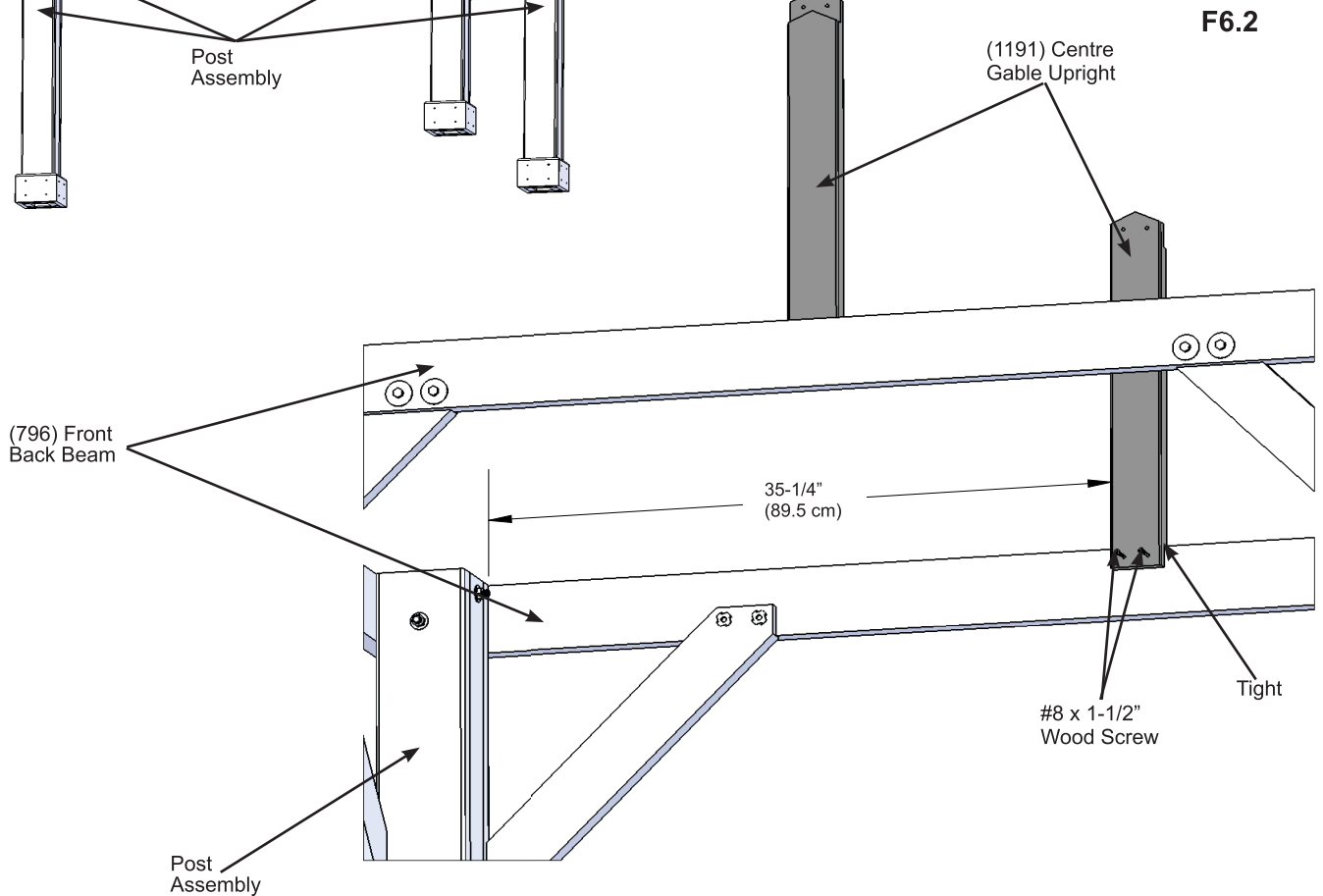
Step 6: Attach Uprights



A: From inside the frame measure 35-1/4" (89.5 cm) along one (796) Front Back Beam from inside the Post Assembly then place one (1191) Centre Gable Upright tight to top of (796) Front Back Beam, make sure it is square then attach with two #8 x 1-1/2" Wood Screws. Repeat for other (796) Front Back Beam. (F6.1 and F6.2)



Note: The Gable Uprights may have to be adjusted when roof is installed.



Wood Parts

2 x (1191) Centre Gable Upright

Hardware

4 x #8 x 1-1/2" Wood Screw

Step 7: Roof Frame Assembly

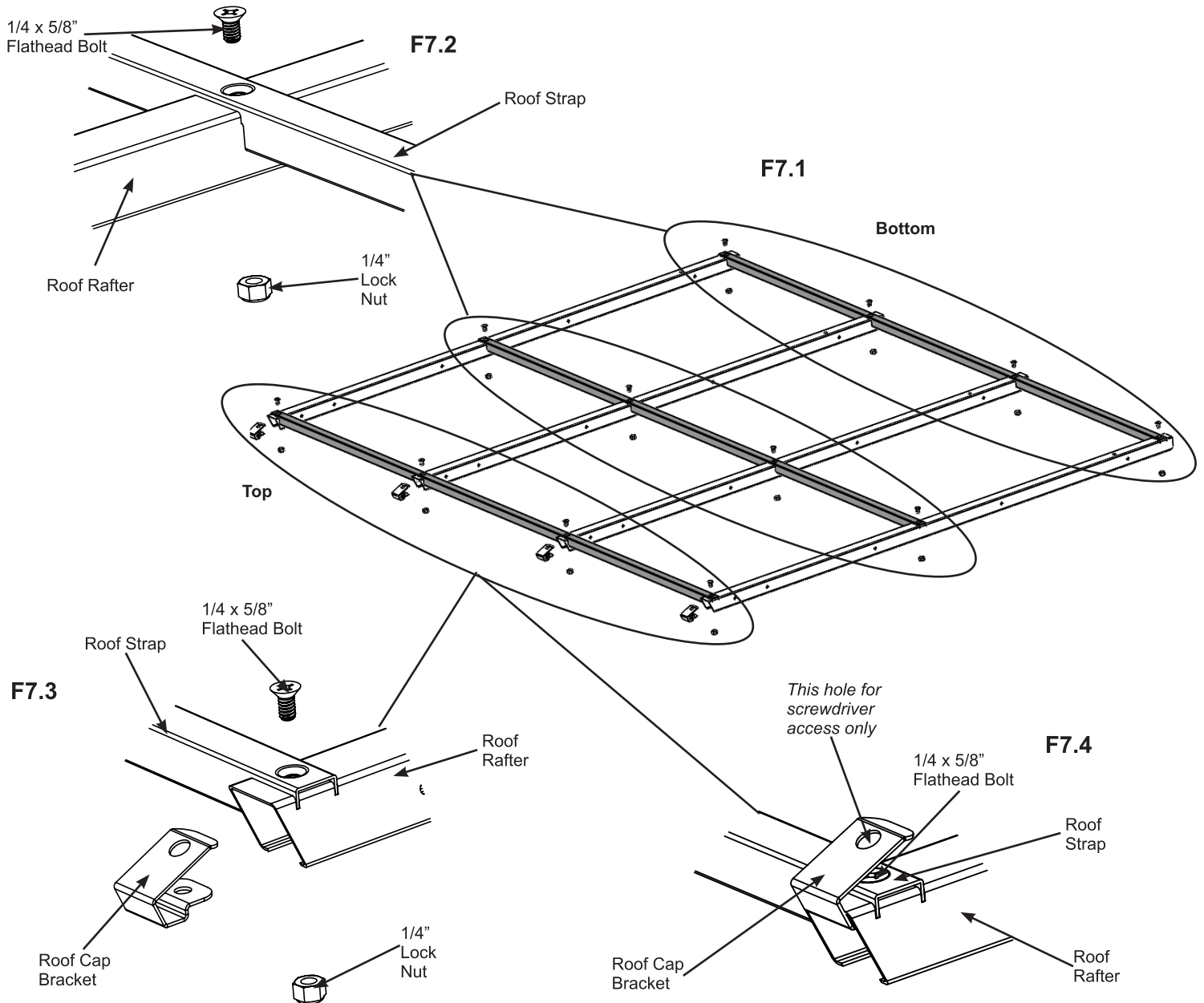
Part 1

A: Lay out four Roof Rafters, on a hard flat surface as shown in F7.1. Place three Roof Straps across Roof Rafters so the holes line up. Attach bottom Roof Strap with four 1/4 x 5/8" Flathead Bolts (with 1/4" lock nut). (F7.1 and F7.2)

B: At the angled end of each Roof Rafter place one Roof Cap Bracket. The top hole is for screwdriver access only. Attach top Roof Strap to Roof Rafters and Roof Cap Brackets with four 1/4 x 5/8" Flathead Bolts (with 1/4" lock nut). (F7.1, F7.3 and F7.4)

C: Attach middle Roof Strap with four 1/4 x 5/8" Flathead Bolts (with 1/4" lock nut). (F7.1 and F7.2)

D: Repeat Steps A - C for a second Roof Frame Assembly.



Components:

8 x Roof Rafter
 6 x Roof Strap
 8 x Roof Cap Bracket

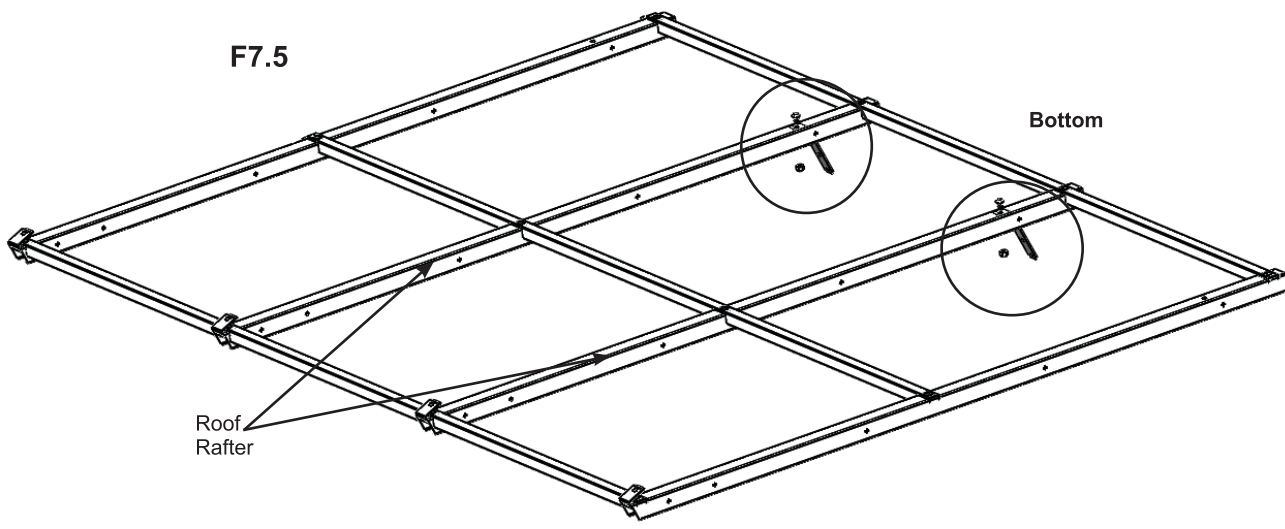
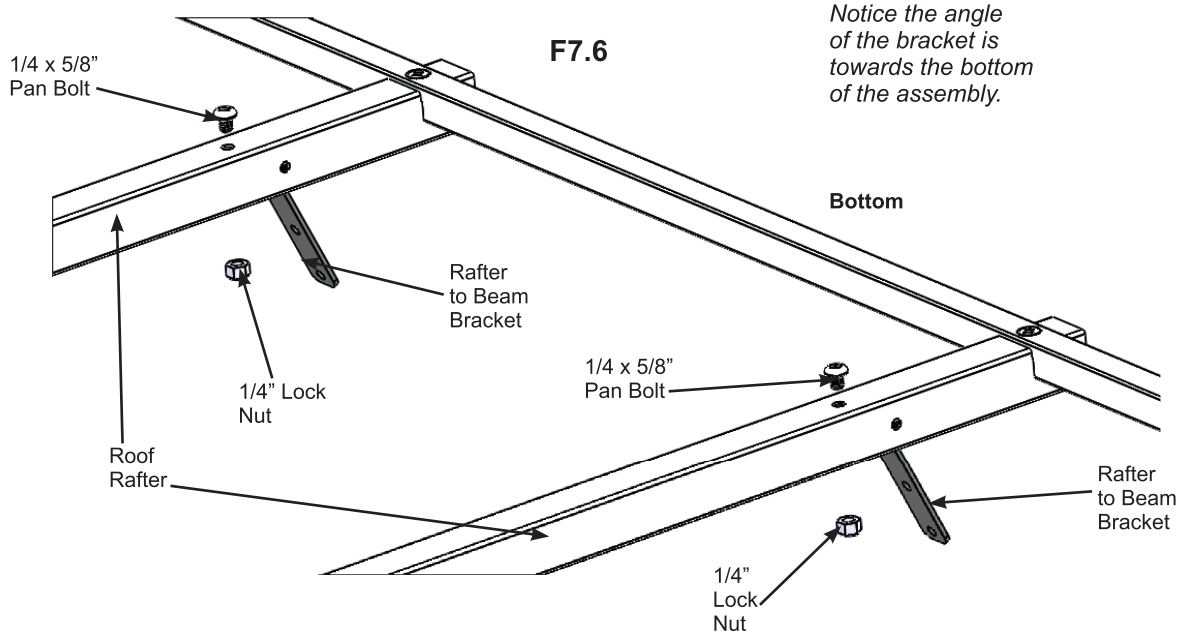
Hardware

24 x 1/4 x 5/8" Flathead Bolt (1/4" Lock Nut)

Step 7: Roof Frame Assembly

Part 2

D: At the bottom of each Roof Frame Assembly, on the two middle Roof Rafters, place one Rafter to Beam Bracket underneath Roof Rafters and attach with one 1/4 x 5/8" Pan Bolt (with 1/4" lock nut) per bracket, as shown in F7.5 and F7.6.



Components:

4 x Rafter to Beam Bracket

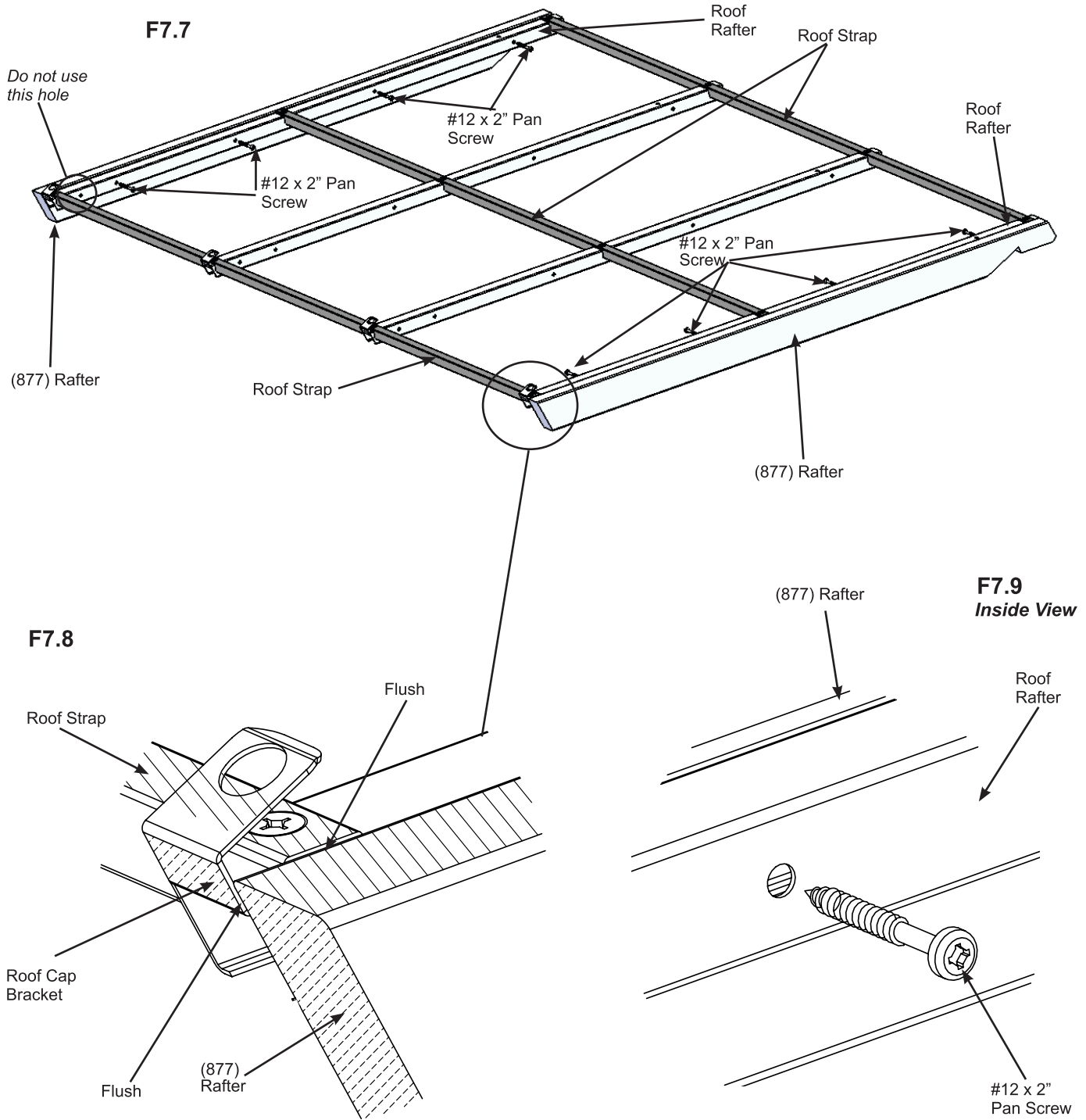
Hardware

4 x 1/4 x 5/8" Pan Bolt (1/4" Lock Nut)

Step 7: Roof Frame Assembly

Part 3

E: On each outside Roof Rafter attach one (877) Rafter with four #12 x 2" Pan Screws. Angle of (877) Rafters to be flush to the angle of Roof Cap Brackets and flush to the tops of Roof Straps. Do not use the hole at the top of the Roof Rafters. Complete for each Roof Frame. (F7.7, F7.8 and F7.9)



Wood Parts

4 x (877) Rafter

Hardware

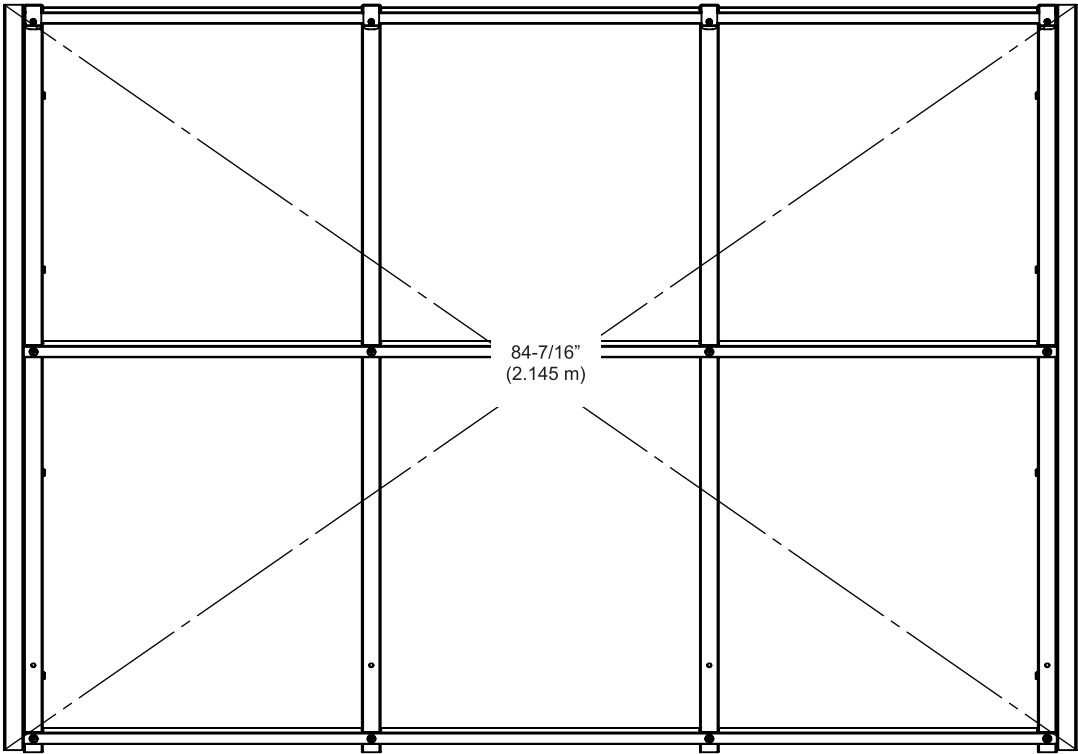
16 x #12 x 2" Pan Screw

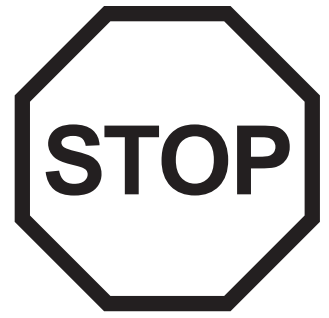
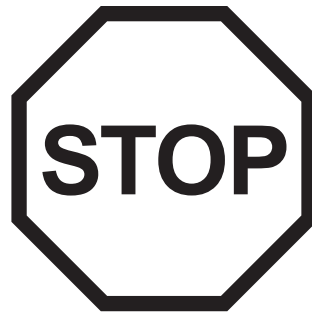
Step 7: Roof Frame Assembly Part 4



F: Makes sure each Roof Frame Assembly is square. The diagonal distance between outside corners of (877) Rafters is 84-7/16" (2.145 m). (F7.10)

F7.10





INSTALLING ROOFING MATERIAL

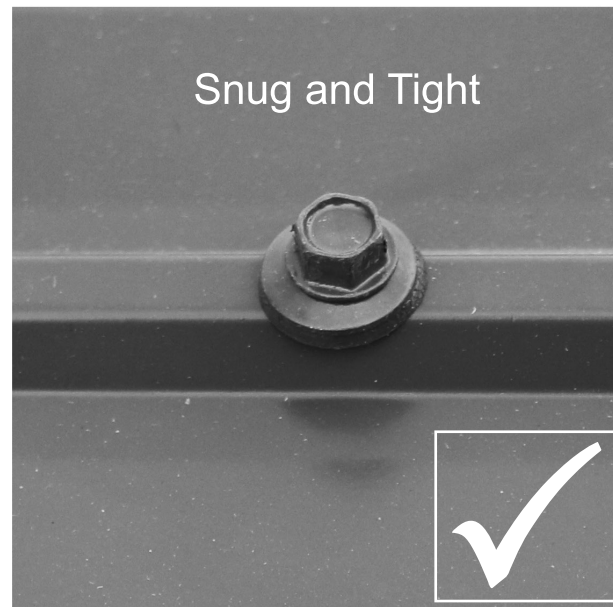
CAUTION!

Roofing material may have sharp edges! Wear gloves!

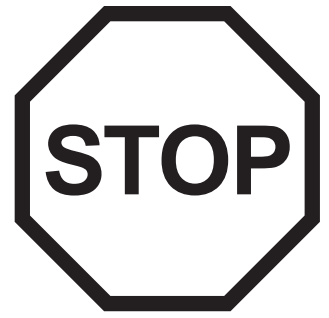
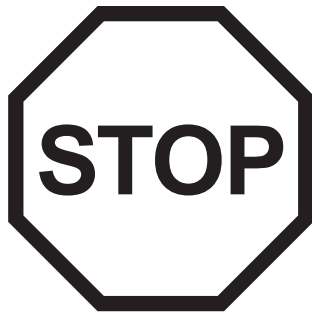
HANDLE WITH CARE!

Place roofing material on a non-abrasive surface before assembly as it can bend, dent and scratch easily.

**WARNING – DO NOT OVER TIGHTEN ROOFING SCREWS!
Over tightening screws will cause roofing material to crush.**



The roofing screws can easily crush the Roof Panels and Roof Edges when using a power drill. We recommend hand tightening the roofing screws so that they sit snug and tight to the roofing material.

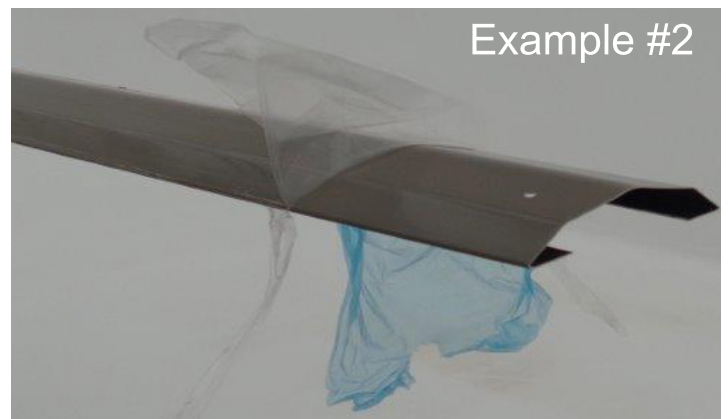
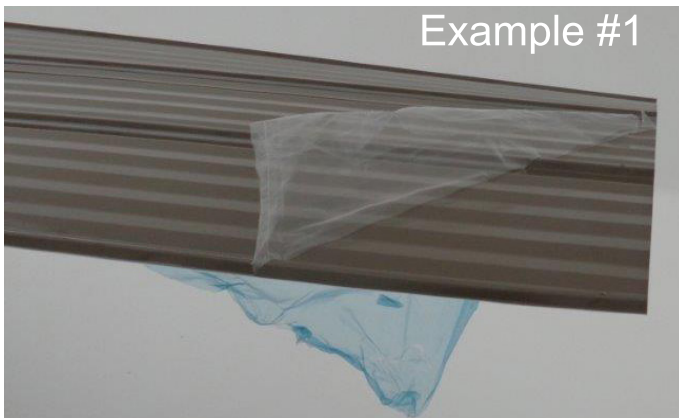


INSTALLING ROOFING MATERIAL

CAUTION!

Roofing material may have sharp edges! Wear gloves!

BE SURE TO REMOVE ALL PLASTIC COVERING, ON BOTH SIDES OF THE ALUMINUM PANELS AND TRIM, DIRECTLY BEFORE INSTALLING EACH PIECE. *(One side is clear and the other is blue, both must be removed.)*



Step 8: Attach Roof Panels Part 1

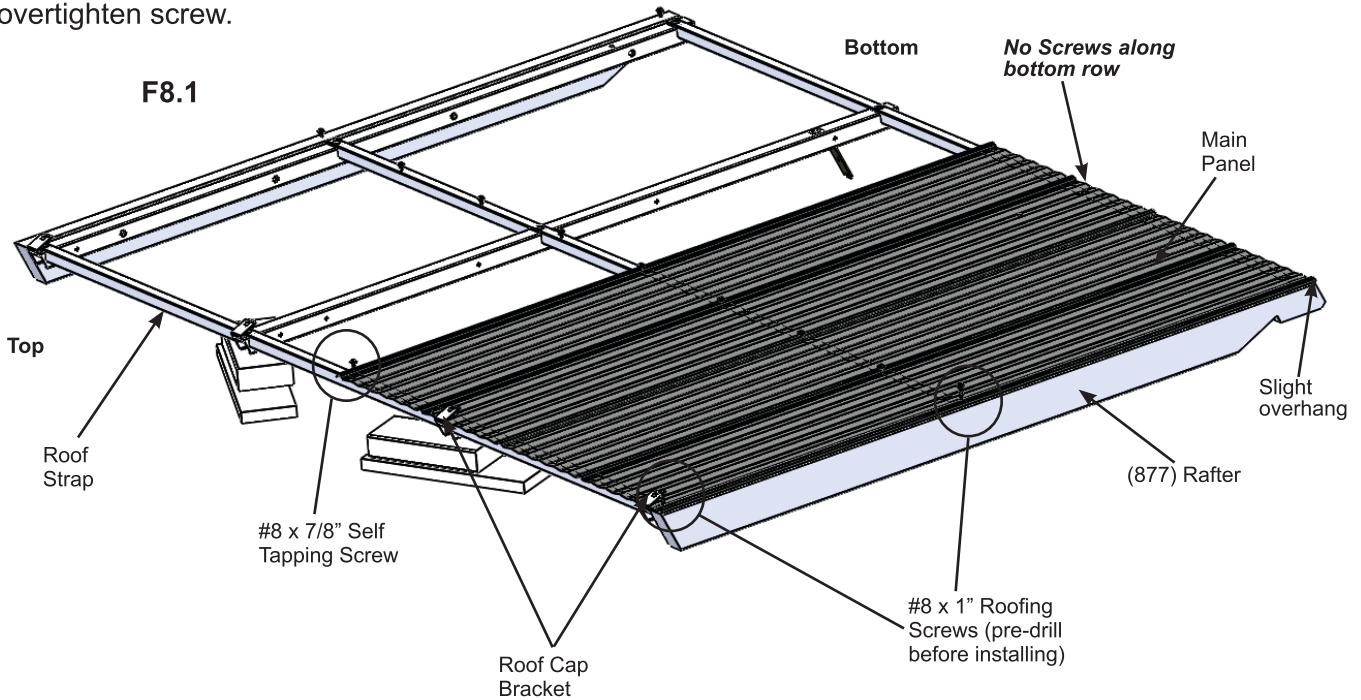


Note: Be sure to remove all plastic covering on both sides of the metal panels directly before installing each piece.

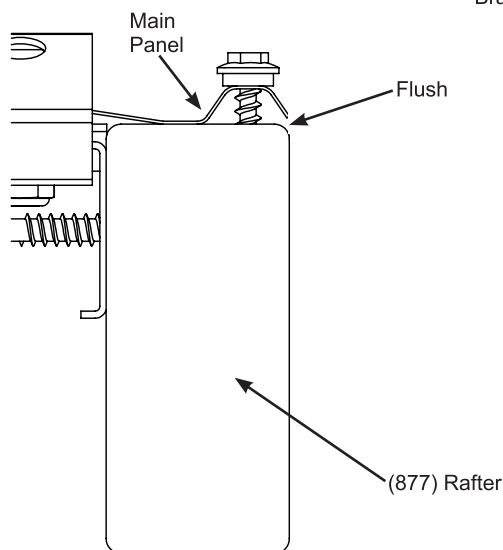
A: Place (879) Left Gable Upright and (880) Right Gable Upright under frame to prevent it from bending when installing screws. These pieces will not be installed until Step 10.

B: Place one Main Panel on Roof Frame Assembly, under lip and tight to the top of Roof Cap Bracket and flush to sides of (877) Rafter. There will be a slight overhang at the bottom. There are no holes on the ribs at the top of the panels. Pre-drill with a 1/8" drill bit then attach Main Panel to (877) Rafter with two #8 x 1" Hex Roofing Screws. Be sure not to overtighten screws. (F8.1 and F8.2)

C: Attach Main Panel to Roof Strap with one #8 x 7/8" Self Tapping Screws in location shown in F8.1. Be sure not to overtighten screw.



F8.2
Side View



DO NOT overtighten screws, could cause damage to roofing material

Roof Parts
2 x Main Panel

Hardware
4 x #8 x 1" Roofing Screw
2 x #8 x 7/8" Self Tapping Screw

Step 8: Attach Roof Panels Part 2

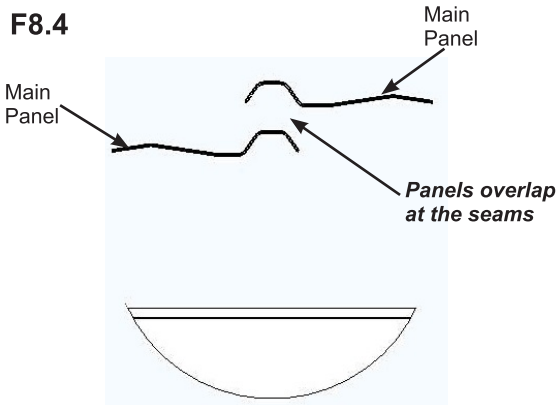
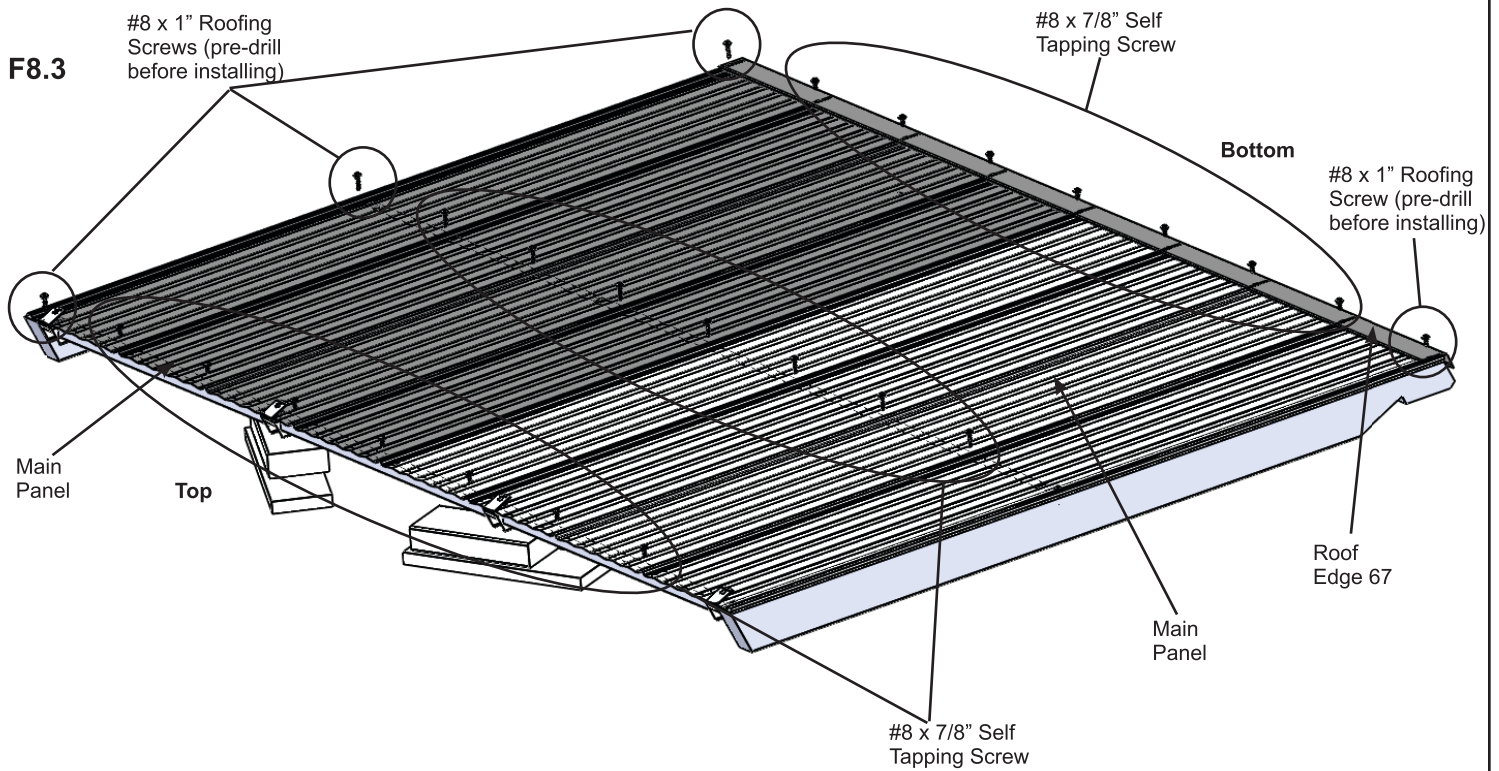


D: Place one Main Panel beside the first so the panels overlap and screw holes line up as shown below. Pre-drill with a 1/8" drill bit then attach Main Panel to (877) Rafter using two #8 x 1" Hex Roofing Screws. Be sure not to overtighten screws. (F8.3 and F8.4)

E: Repeat Steps A - D for the second Roof Frame Assembly.

F: Place one Roof Edge 67 on the bottom of each Roof Frame Assembly so the ends are flush with the outside ends of each (877) Rafter. Pre-drill the two end holes with a 1/8" drill bit then attach Roof Edge 67 to (877) Rafters with one #8 x 1" Hex Roofing Screws per rafter. Attach Roof Edge 67 to Roof Strap with seven #8 x 7/8" Self Tapping Screws per frame. (F8.3)

G: For each Roof Frame Assembly attach both Main Panels to Roof Straps with 14 #8 x 7/8" Self Tapping Screws per frame. (F8.3)



DO NOT overtighten screws, could cause damage to roofing material

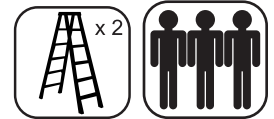
Roof Parts

- 2 x Main Panel
- 2 x Roof Edge 67

Hardware

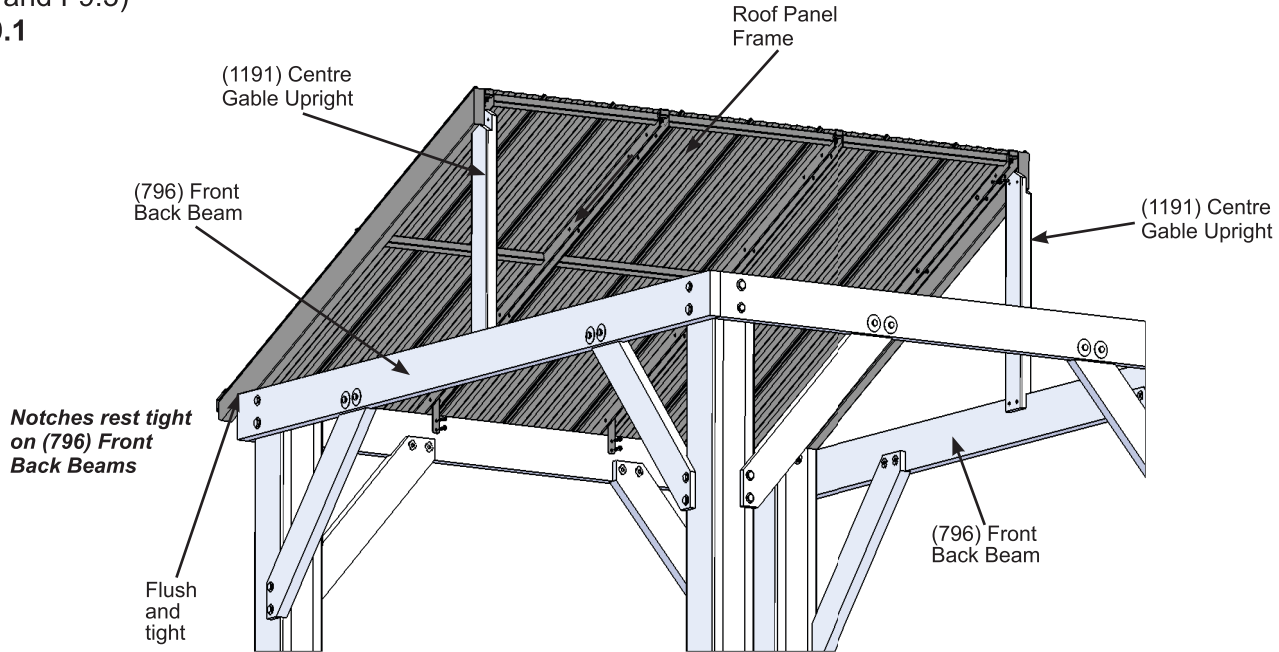
- 8 x #8 x 1" Roofing Screw
- 42 x #8 x 7/8" Self Tapping Screw

Step 9: Attach Roof Panels to Frame Part 1

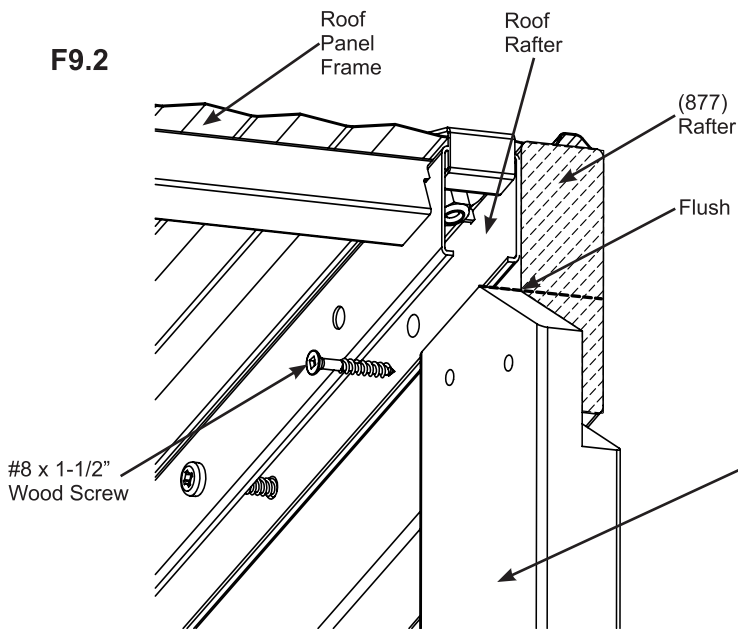


A: With three assemblers lift one Roof Panel Frame up and over the pavilion frame so it rests on both (1191) Centre Gable Uprights so the end of Roof Rafter and (877) Rafter are flush to peak of (1191) Centre Gable Upright. The notches at the bottom of the (877) Rafters sit tight on (796) Front Back Beam and flush to the front. From inside the assembly attach (1191) Centre Gable Upright to (877) Rafter with one #8 x 1-1/2" Wood Screw per upright. **One assembler must remain on a ladder to hold Roof Panel Frame in place until secured.** (F9.1, F9.2 and F9.3)

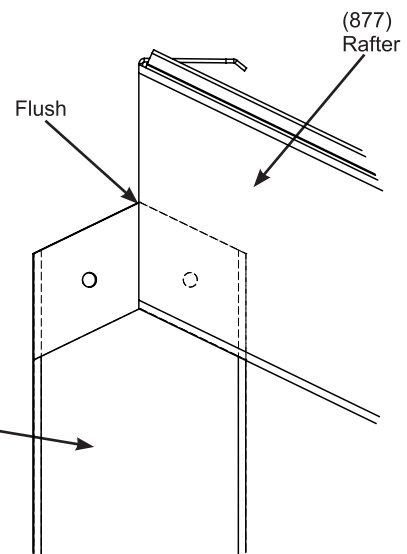
F9.1



F9.2



**F9.3
Outside View**



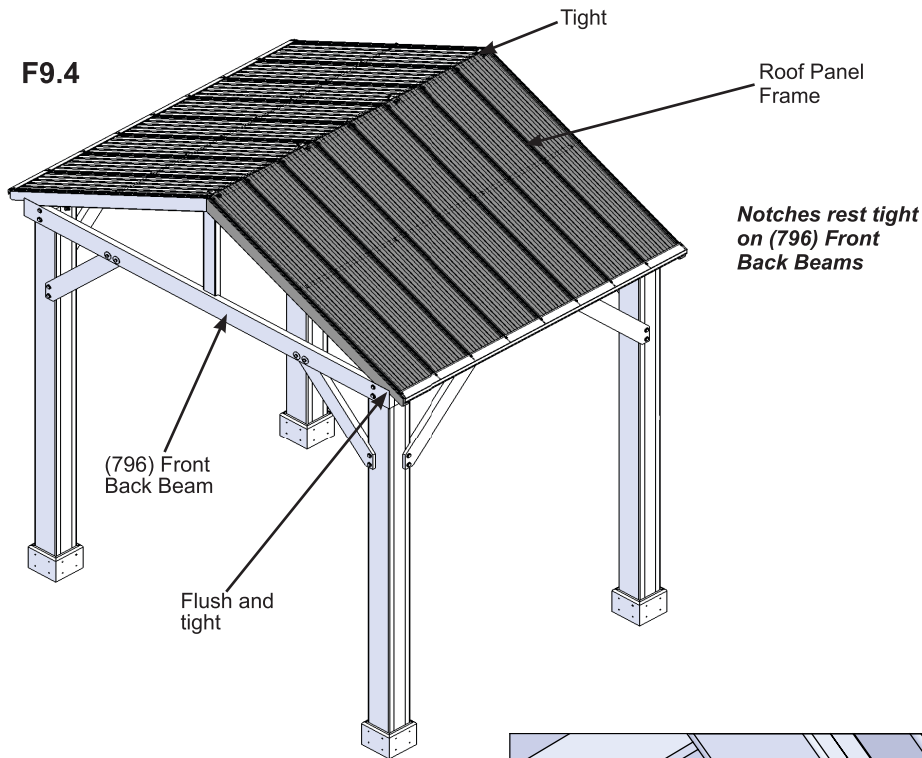
Hardware

2 x #8 x 1-1/2" Wood Screw

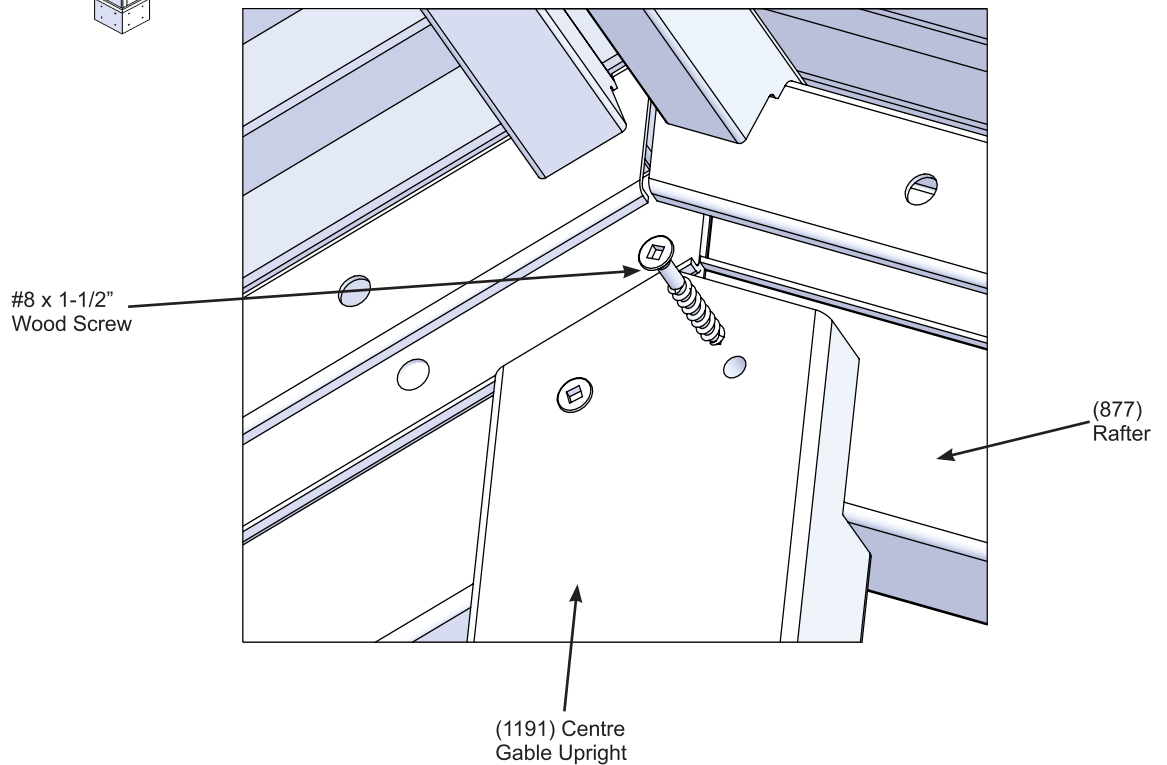
Step 9: Attach Roof Panels to Frame Part 2



B: Lift the second Roof Panel Frame up and over the pavilion frame so the two Roof Panel Frames are tight together and (877) Rafter notches are tight to (796) Front Back Beams and tight to the front. From inside the assembly attach (1191) Centre Gable Uprights to (877) Rafters with one #8 x 1-1/2" Wood Screw per upright. (F9.4 and F9.5)



F9.5
Inside View



Hardware

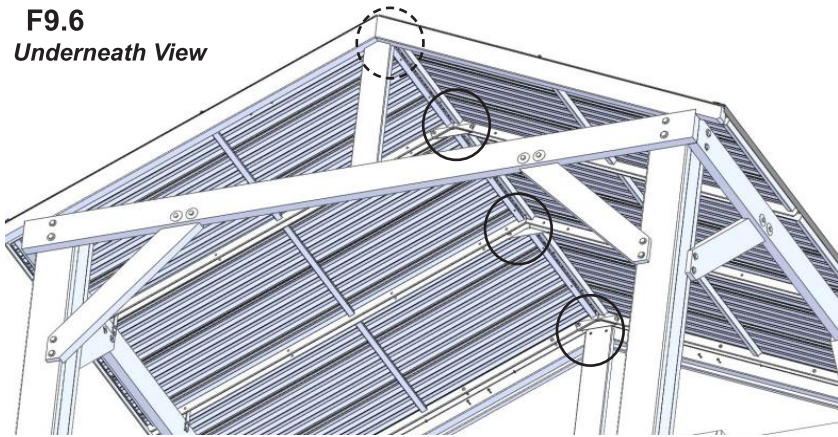
2 x #8 x 1-1/2" Wood Screw

Step 9: Attach Roof Panels to Frame Part 3

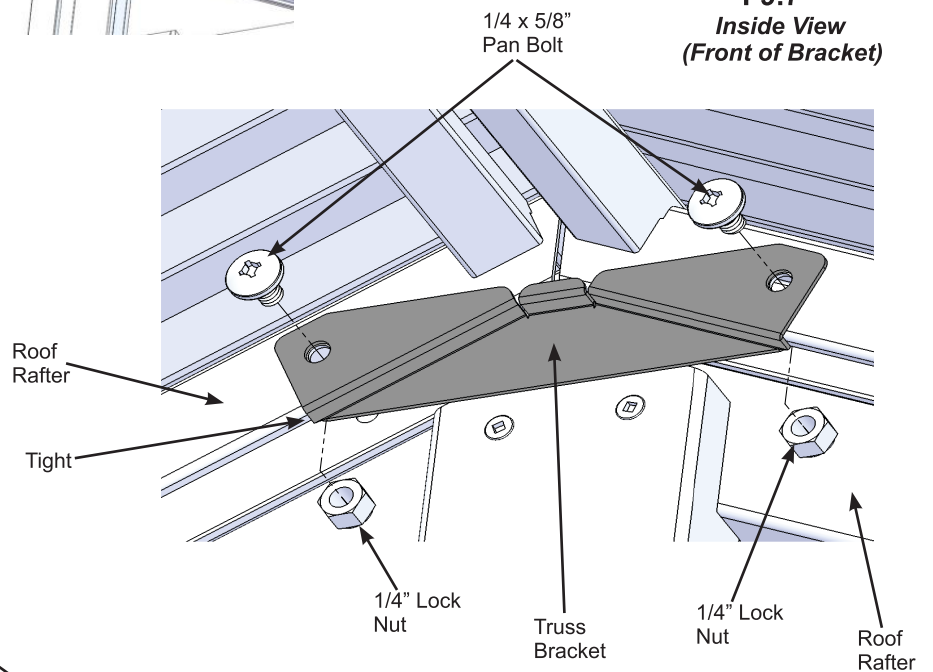


C: At the peak of each Roof Rafter connection install one Truss Bracket using two 1/4 x 5/8" Pan Bolts (with 1/4" lock nut) per bracket. (F9.6, F9.7 and F9.8)

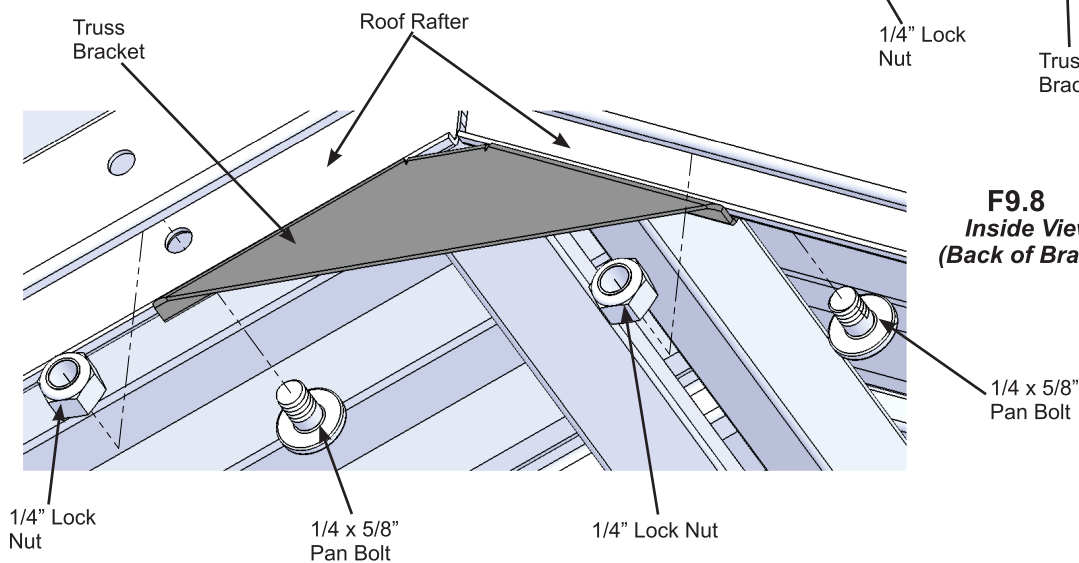
F9.6
Underneath View



F9.7
*Inside View
(Front of Bracket)*



F9.8
*Inside View
(Back of Bracket)*



Component

4 x Truss Bracket

Hardware

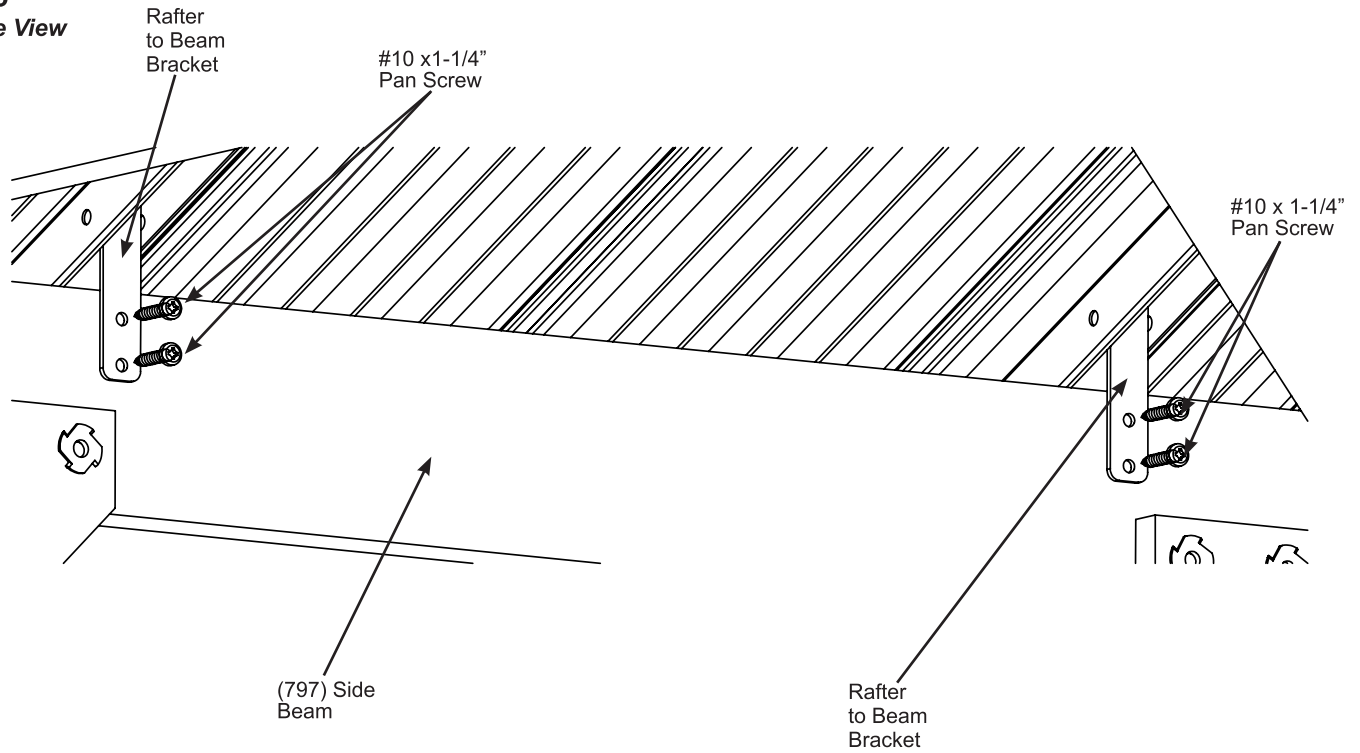
8 x 1/4 x 5/8" Pan Bolt (1/4" lock nut)

Step 9: Attach Roof Panels to Frame Part 4



D: Attach all Rafter to Beam Brackets to (797) Side Beam with two #10 x 1-1/4" Pan Screws per bracket. (F9.9)

F9.9
Inside View



Hardware

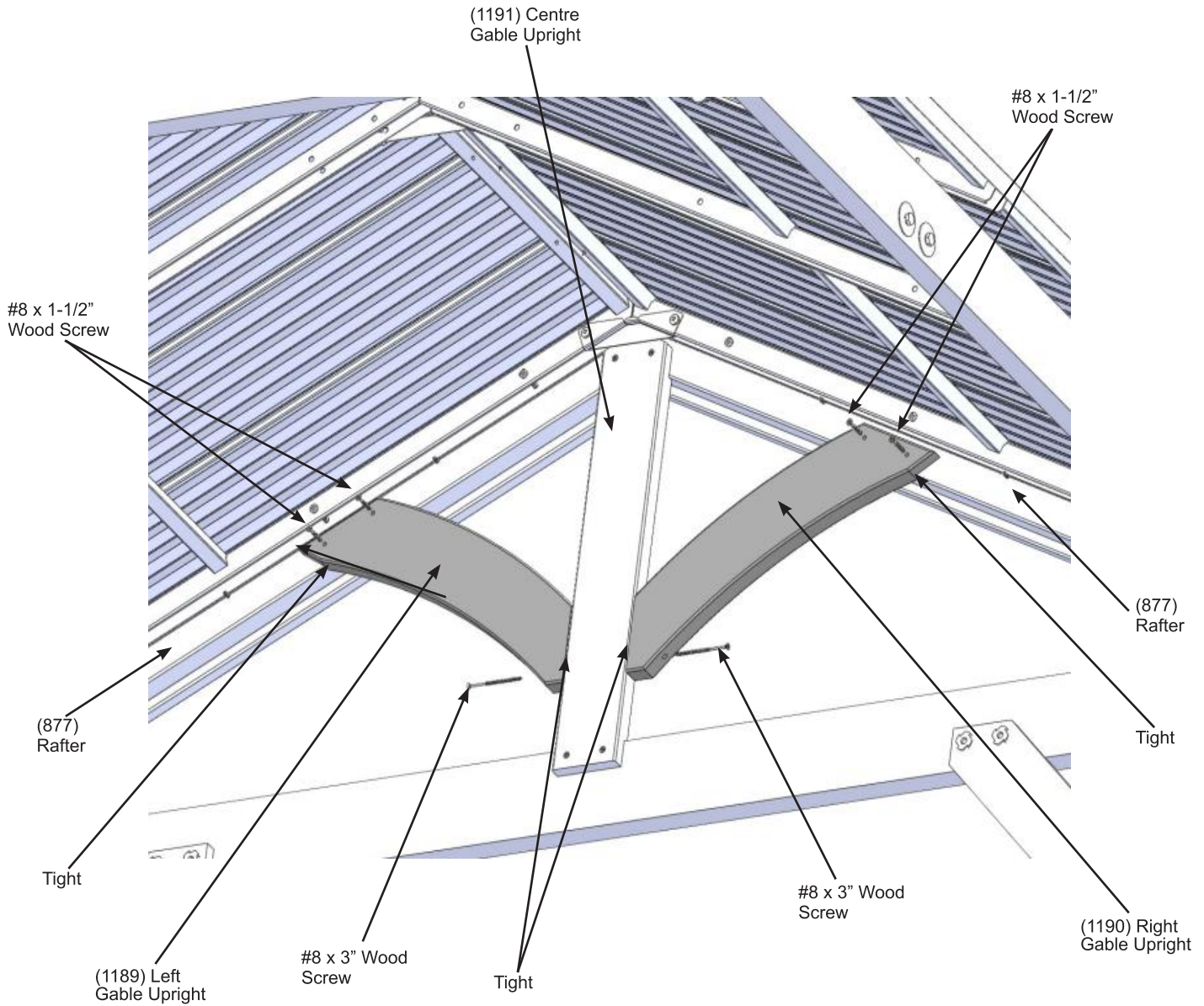
8 x #10 x 1-1/4" Pan Screw



Step 10: Attach Gable Uprights

A: From inside the assembly place one (1189) Left Gable Upright and one (1190) Right Gable Upright tight to (1191) Centre Gable Upright and tight to each (877) Rafter then attach with two #8 x 1-1/2" Wood Screws and one #8 x 3" Wood Screw per Gable Upright. Repeat for both sides of the assembly. (F10.1)

F10.1
Inside View



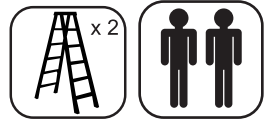
Wood Parts

- 2 x (1189) Left Gable Upright
- 2 x (1190) Right Gable Upright

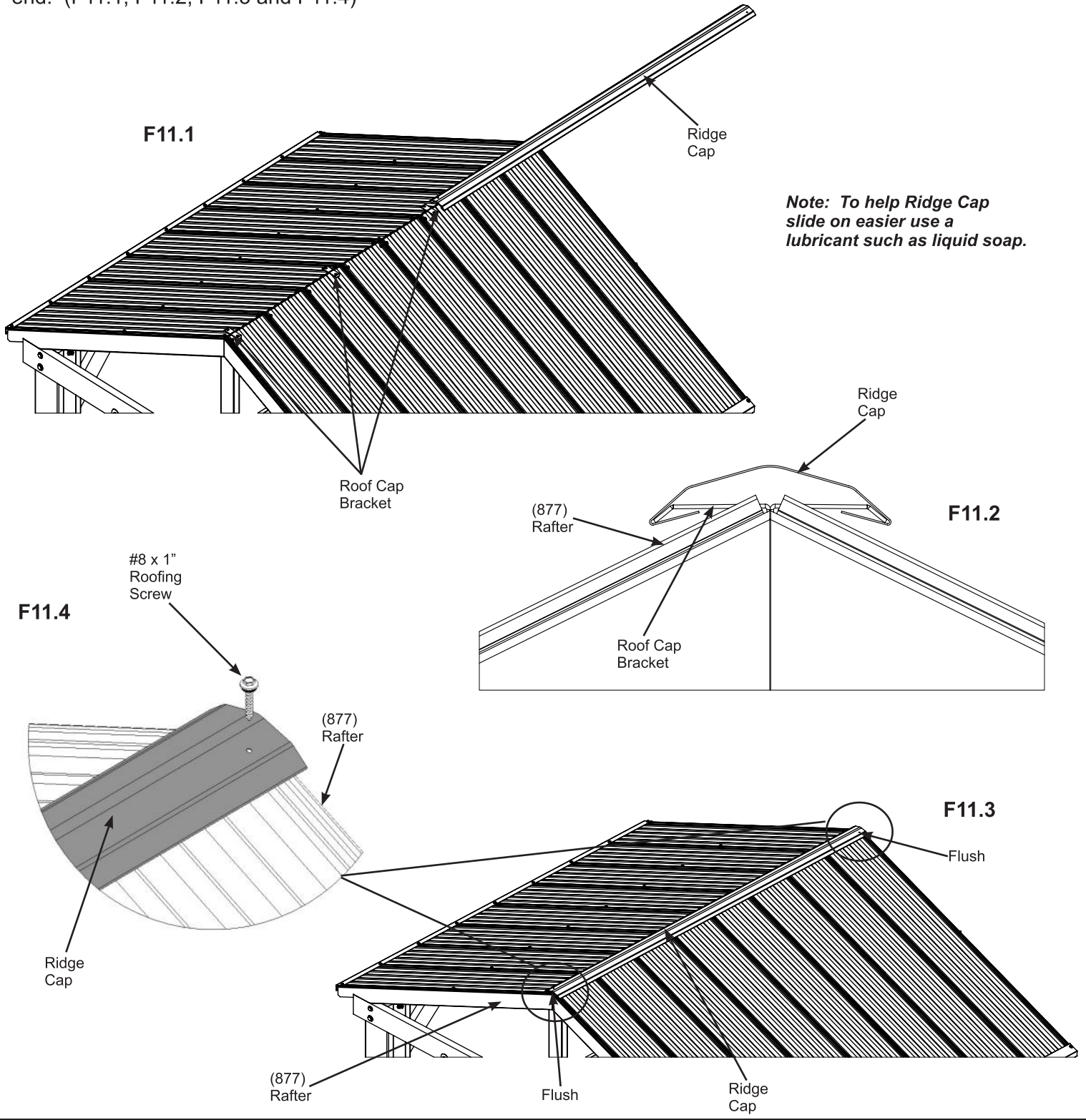
Hardware

- 8 x #8 x 1-1/2" Wood Screw
- 4 x #8 x 3" Wood Screw

Step 11: Attach Ridge Caps



A: Slide Ridge Cap over each Roof Cap Bracket across top of the roof. Ridge Cap should be flush to the outside edge of the roof. Attach Ridge Cap to Roof Cap Bracket and (877) Rafter, with one #8 x 1" Roofing Screw per end. (F11.1, F11.2, F11.3 and F11.4)



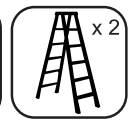
Components:

1 x Ridge Cap

Hardware

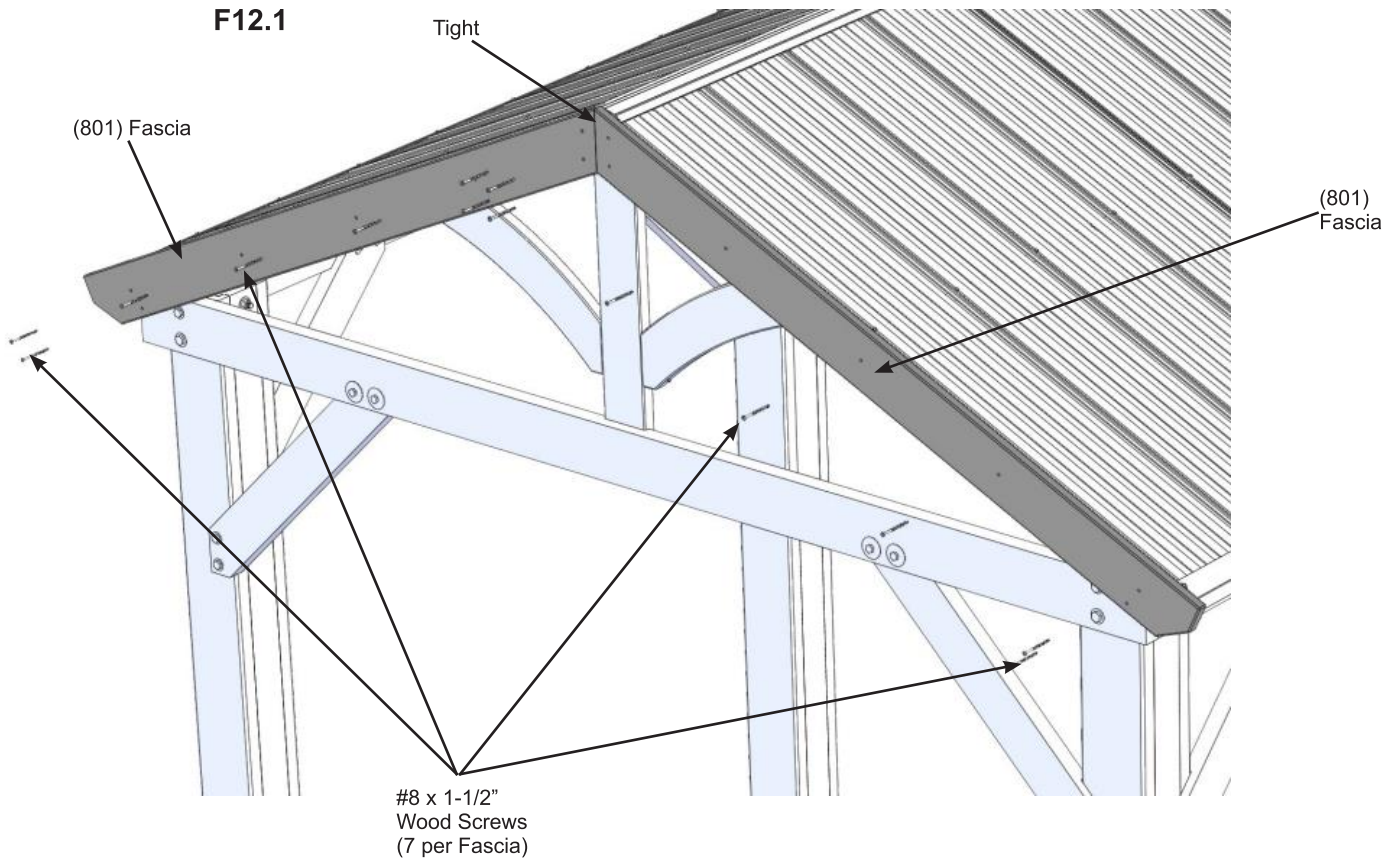
2 x #8 x 1" Roofing Screw

Step 12: Attach Fascia

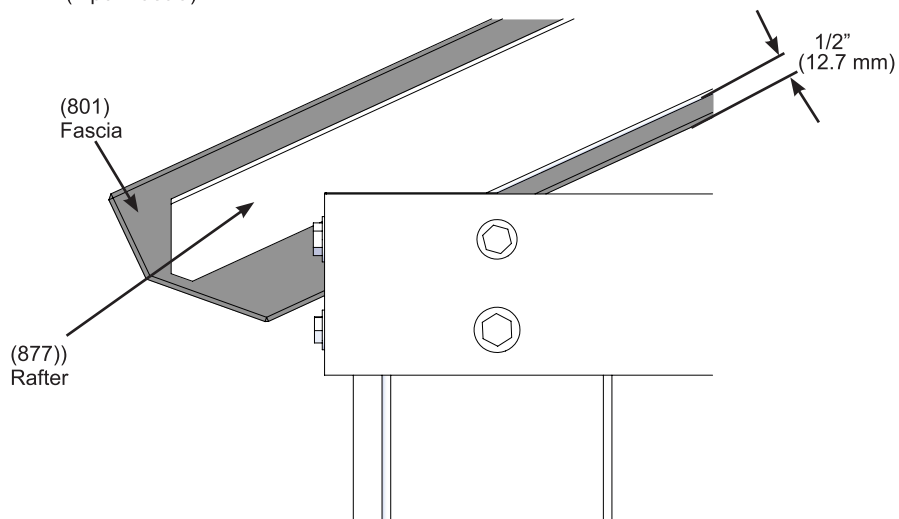


A: On one side of the assembly place two (801) Fascia against the (877) Rafters so the peaks meet in the centre and they are tight together. Bottom of (801) Fascia to bottom of (877) Rafter should measure 1/2" (12.7 mm) all along each (801) Fascia. Attach with seven #8 x 1-1/2" Wood Screws per fascia. (F12.1 and F12.2)

B: Repeat for the other side of the assembly.



F12.2
Inside View



Wood Parts

4 x (801) Fascia

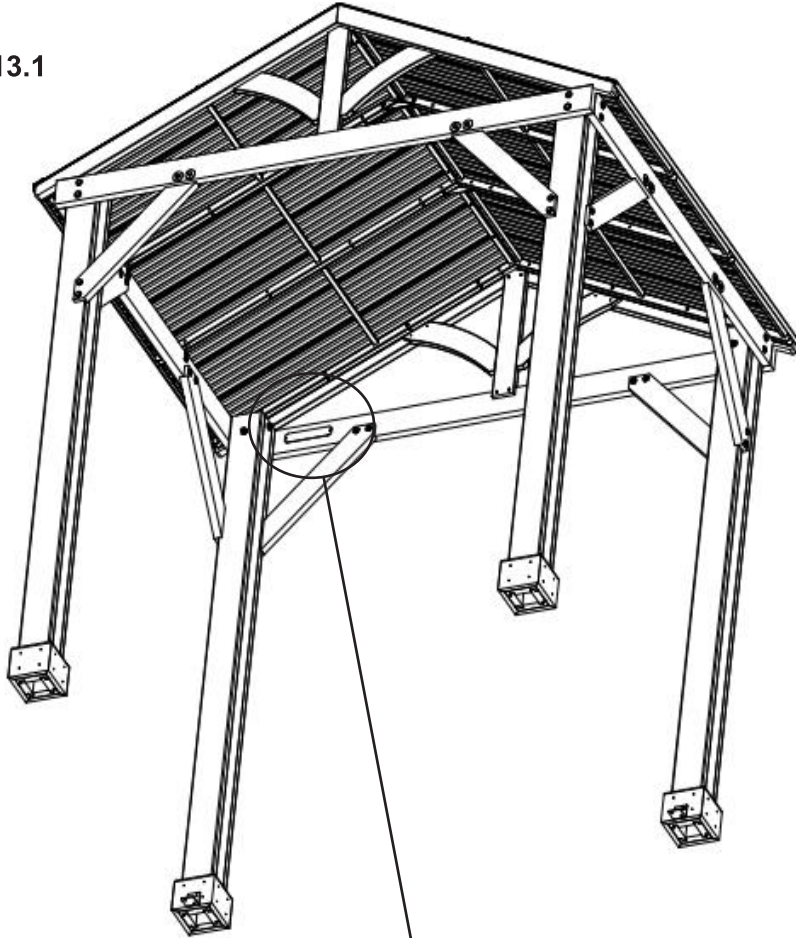
Hardware

28 x #8 x 1-1/2" Wood Screw

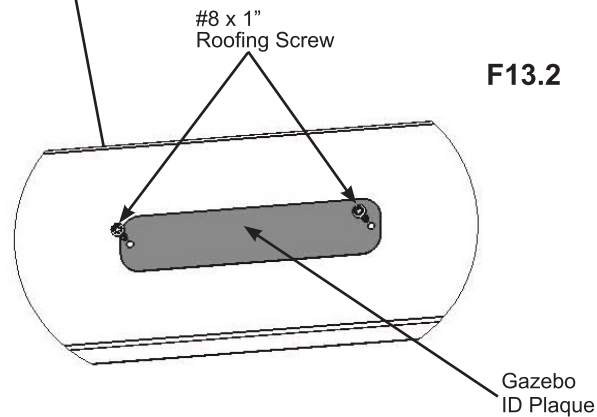
Step 13: Attach Plaque

A: Attach Gazebo ID Plaque to any beam on your pavilion using two #8 x 1" Roofing Screws, so it is in a prominent location. This provides warnings concerning safety and important contact information. A tracking number is provided to allow you to get critical information or order replacement parts for this specific model. (F13.1 and F13.2)

F13.1



F13.2



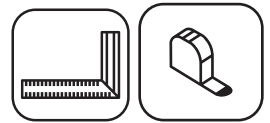
Components:

1 x Gazebo ID Plaque

Hardware

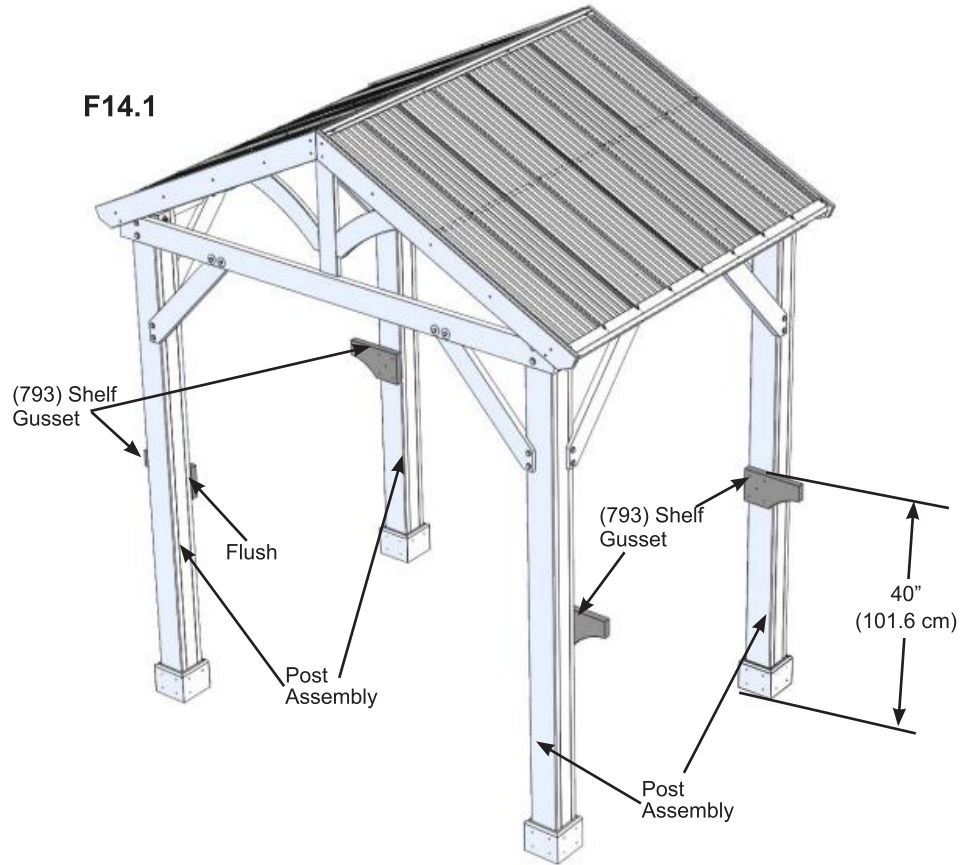
2 x #8 x 1" Roofing Screw

Step 14: Shelf Assembly Part 1

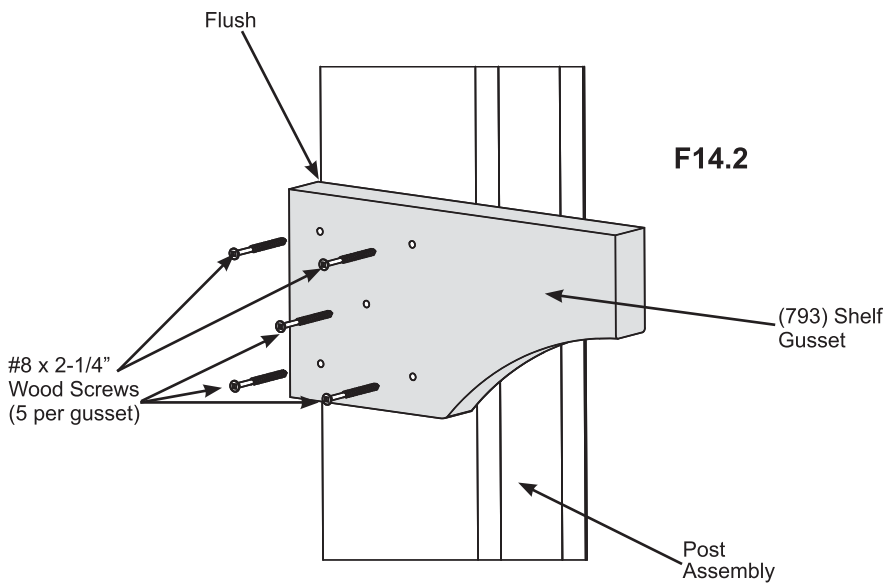


A: Under each (797) Side Beam, measure 40" (101.6 cm) up from the bottom of each Post Assembly along the sides facing each other, then place one (793) Shelf Gusset on each face so the tops are at the 40" (101.6 cm) mark. The end facing the inside the Pavilion to be flush to the Post Assembly. Make sure (793) Shelf Gussets are level then attach with five #8 x 2-1/4" Wood Screws. (F14.1 and F14.2)

F14.1



F14.2



Wood Parts

4 x (793) Shelf Gusset

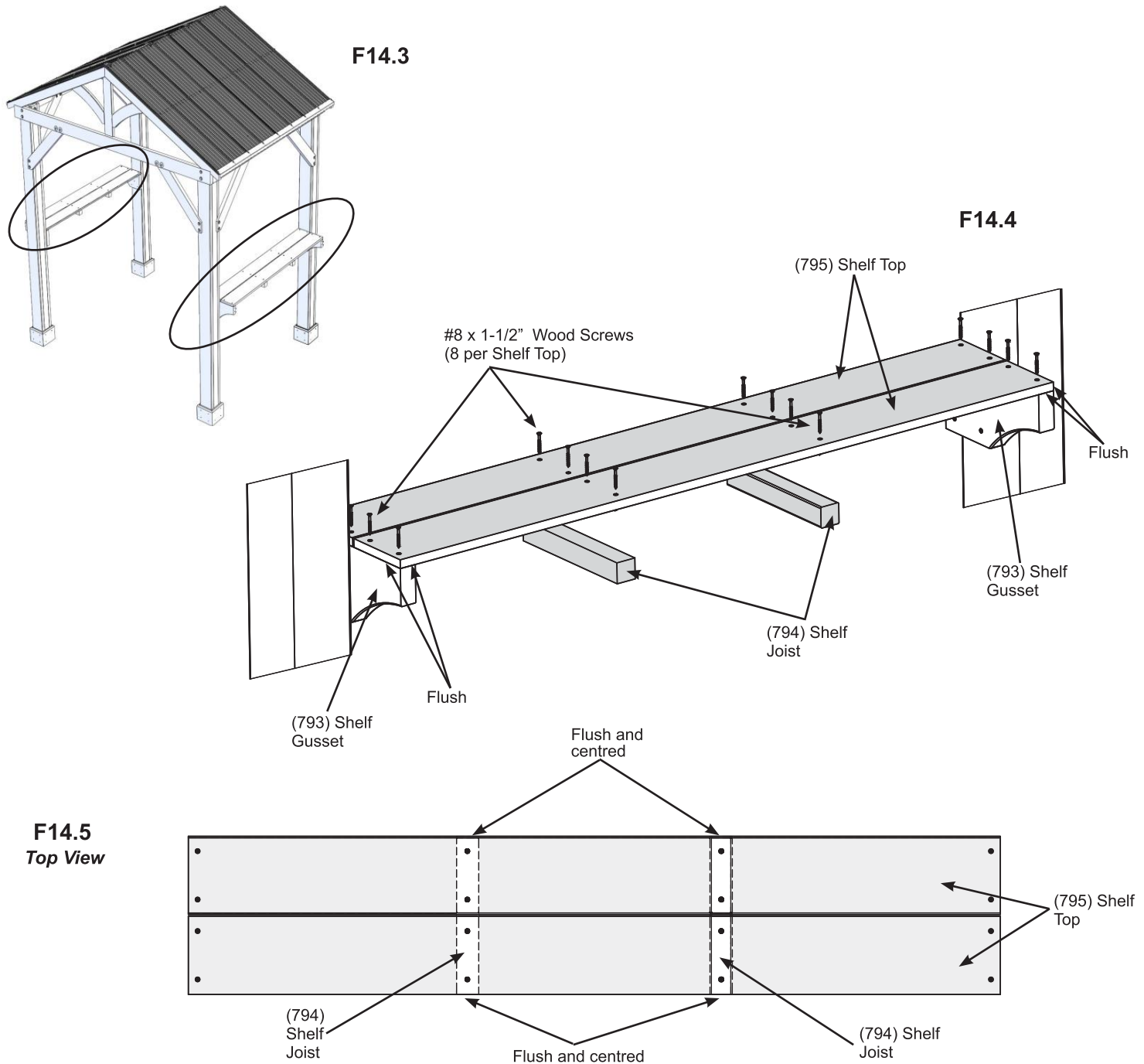
Hardware

20 x #8 x 2-1/4" Wood Screw

Step 14: Shelf Assembly Part 2

B: Place two (795) Shelf Tops on each set of (793) Shelf Gussets so they are flush to the edges and outside faces. Attach (795) Shelf Tops to (793) Shelf Gussets with four #8 x 1-1/2" Wood Screws per board. (F14.3, F14.4 and F14.5)

C: Under each set of (795) Shelf Tops place two (794) Shelf Joists so they are centred under the pilot holes in the (795) Shelf Tops and flush to the outside edges of the (795) Shelf Tops. From the top, attach (795) Shelf Tops to (794) Shelf Joists with four #8 x 1-1/2" Wood Screws per joist. (F14.3, F14.4 and F14.5)



Wood Parts

- 4 x (795) Shelf Top
- 4 x (794) Shelf Joist

Hardware

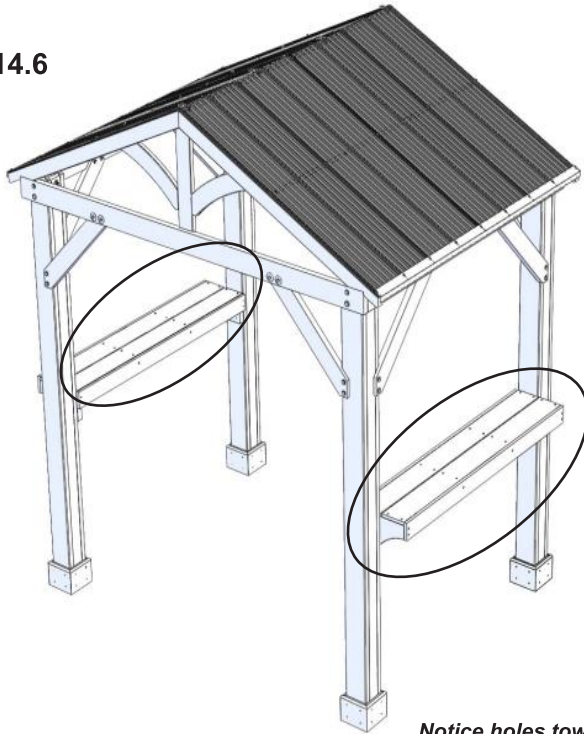
- 32 x #8 x 1-1/2" Wood Screw

Step 14: Shelf Assembly Part 3

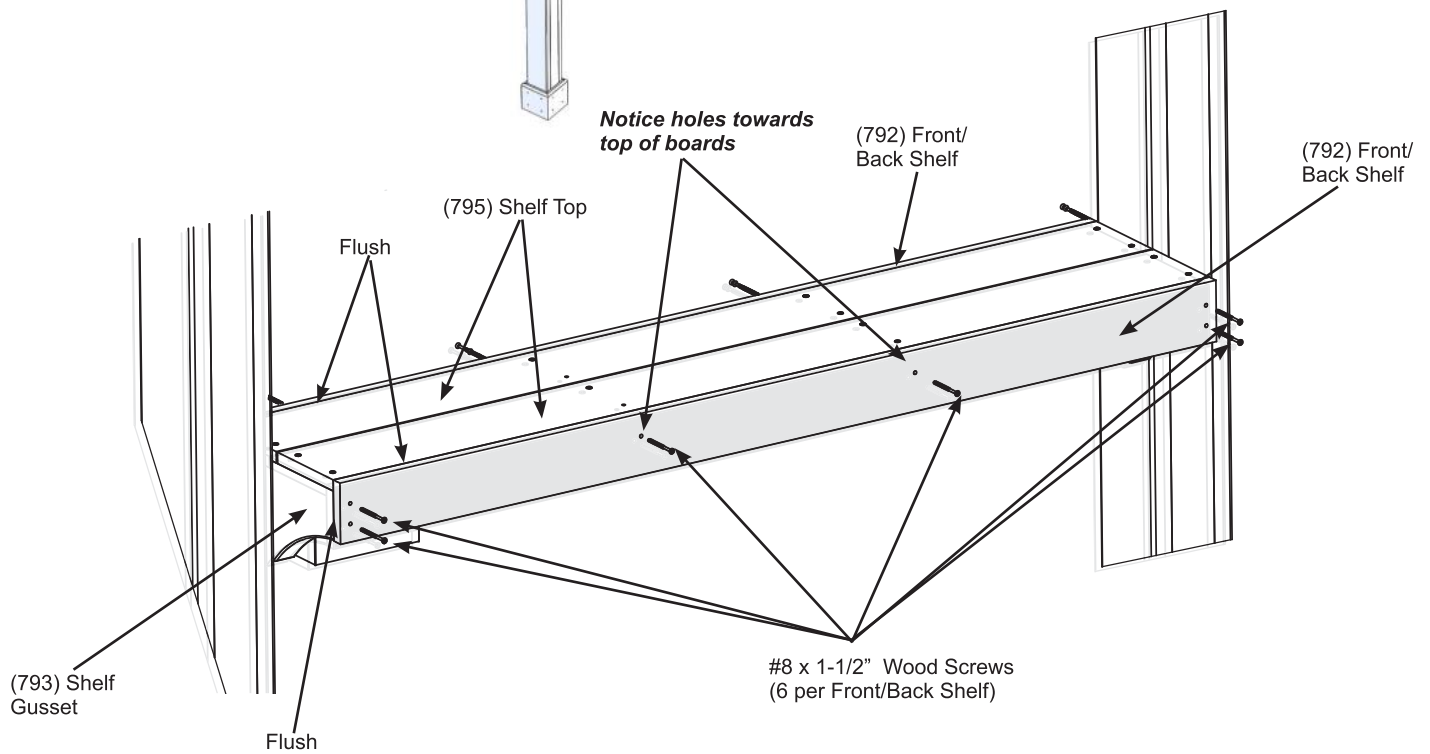
D: Place one (792) Front/Back Shelf on the front and back of the Shelf Assembly so they are flush to the top of (795) Shelf Tops and to the outside faces of (793) Shelf Gussets. Attach each (792) Front/Back Shelf to (793) Gussets with four #8 x 1-1/2" Wood Screws per board. (F14.6 and F14.7)

E: Attach (792) Front/Back Shelf to (794) Shelf Joists with two #8 x 1-1/2" Wood Screws per joist. (F14.6 and F14.7)

F14.6



F14.7



Wood Parts

4 x (792) Front/Back Shelf

Hardware

24 x #8 x 1-1/2" Wood Screw

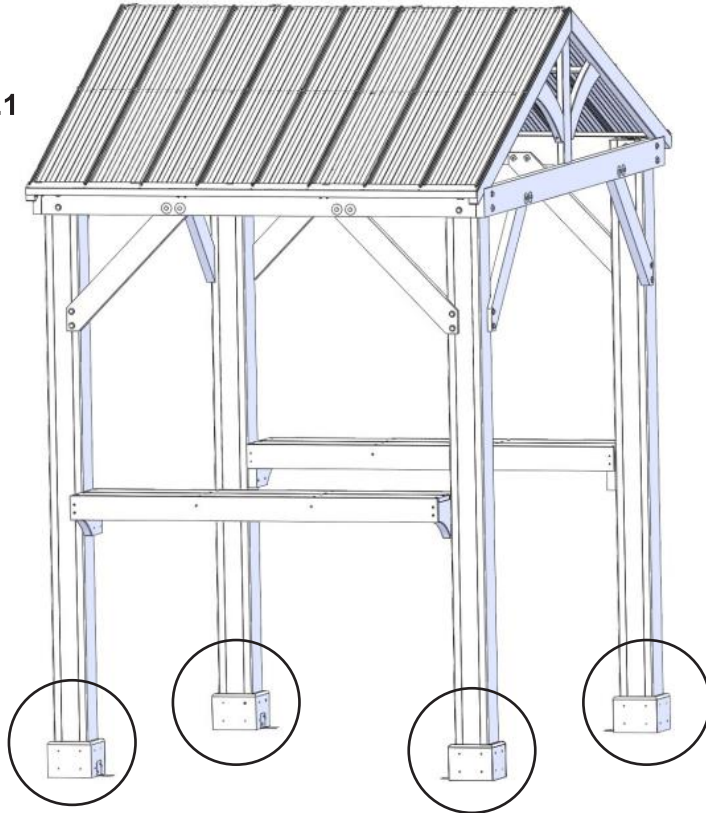
Step 15: Attach Corner Brackets



A: Place one Corner Bracket flush to the bottom of each Post Assembly on the inside (802) Plinth, under the Shelves, pre-drill with a 1/8" drill bit then attach with two #10 x 2-1/2" Pan Screws per bracket. (F15.1 and F15.2)

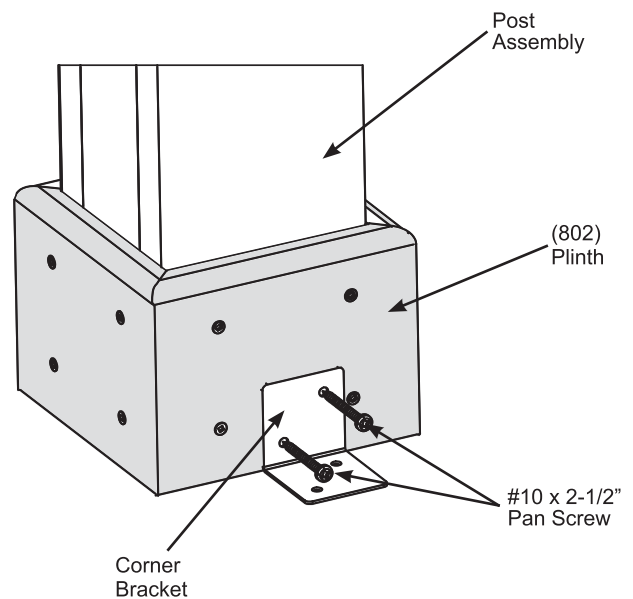
B: Depending on what you are placing the Gazebo on will determine how you anchor it to that surface.

F15.1



Any hardware or extra materials for mounting will have to be purchased in advance.

F15.2



Componets:

4 x Corner Brackets

Hardware

8 x #10 x 2-1/2" Pan Screw



Customer Registration Card - Tarjeta de Registro del Cliente - Carte d'inscription du client

First Name - Primer Nombre - Prénom	Initial - Inicial - Initiale	Last Name - Apellido - Nom de famille

Street - Calle - Rue	PO Box - Casilla postal - Boîte postale	Apt. No. - App.

City - Ciudad - Ville	State/Province - Estado/Provincia - État/Province

ZIP/Postal Code - Código Postal - ZIP/Code postal	Country - País - Pays

E-mail Address - Dirección de E-mail - Adresse courriel	Telephone Number - No. de Teléfono - N° de téléphone

Model Name - Nombre del Modelo - Nom du modèle	Model Number (from front cover) - Número de Modelo (de la portada) - N° du modèle (page de couverture)

Date of Purchase - Fecha de Compra - Date d'achat (mm/dd/yyyy) (mm/dd/aaaa) (mm/jj/aaaa)	Place of Purchase - Comprado a - Lieu d'achat

Comments - Comentarios - Commentaires:

Mail To - Enviar por Correo a - Envoyer par courrier à:

Yardistry
375 Sligo Road West, PO Box 10
Mount Forest, Ontario, Canada, N0G 2L0
Attention: Consumer Relations
Atención a: Servicio de Atención al Cliente
À l'attention de: Service à la clientèle

Online Registration - Registro online - Enregistrement en ligne:

www.yardistrystructures.com/warranty

Hours/ Heures/ Horas: 8:30 am - 5:00 pm EST
(excl. holidays/ hors jours fériés/ excepto los días festivos)

English and French Spoken / Anglais et français parlés / Inglés y francés hablado

Yardistry would like to say "Thank you" for your time and feedback.

Yardistry quiere "Agradecerle" por su tiempo y su opinión.

Yardistry aimerait vous remercier d'avoir pris le temps de répondre au sondage.