

ALL-IN-ONE
TOUT-EN-UN
TODO EN UNO

STEEL UTILITY SINK
ÉVIER UTILITAIRE EN ACIER
FREGADERO DE ACERO



OWNER'S MANUAL
MANUEL DE L'UTILISATEUR
MANUAL DEL USUARIO

QL110
QL110KB
Rev. 20210423

Table of Contents

Safety Information	2	Maintenance	
Warranty		Cartridge Replacement	14
One Year Limited Warranty	3	Care and Cleaning	
Warranty Claim Procedure	3	Utility Sink	15
Pre-Installation		Cabinet	15
Tools/Materials Required	4	Service Parts	16
Parts Required	4		
Package Contents	5	MANUEL DE L'UTILISATEUR	17
Installation	6	MANUAL DEL USUARIO	32

Safety Information



DANGER: Always wear safety goggles and gloves in order to avoid personal injury.

READ AND SAVE THESE INSTRUCTIONS

1. Unpack and inspect this product for chips, scratches, cracks, dents, and scuff marks. Do not install this product if any damages or defects are identified.
2. Use this product only in the manner intended by the manufacturer. If you have any questions, contact the manufacturer.
3. Installation work and plumbing must be done by qualified person(s) in accordance with all applicable codes and standards.
4. Protect the entire surface during installation.

Warranty

ONE YEAR LIMITED WARRANTY

A thorough inspection must be made before installation and any damage must be promptly reported. Conglom Inc. will not be liable for failures or damage that could have been discovered or avoided by proper inspection and testing prior to installation.

Conglom Inc. warrants this product to be free from defects in materials or workmanship for one (1) year from the date of purchase. Proof of purchase (original sales receipt) from the original consumer purchaser must be made available to us for all warranty claims.

This warranty is non-transferable and shall be voided if the unit is removed from its initial installation or if it is not installed following the manufacturer's instructions. It does not apply in the event of product damage due to the use of other than genuine replacement parts. (Replacement parts may be obtained by e-mail at cs@conglomkb.com or by calling 1-877-333-0098 between 8:30 am - 5:00 pm EST) installation error, abuse, misuse or improper care and maintenance (whether performed by a plumber, contractor, service provider or member of the purchaser's household). The warranty excludes damage due to aggressive air or water conditions, harsh or abrasive cleaners and/or materials.

Under no circumstance shall Conglom Inc. be held liable for personal injury or property damage resulting from improper installation or use of this product. Conglom Inc. will not be held liable for inconvenience caused by loss of use of this product, costs incurred for labour or materials, removal and installation of replacement units, or any other incidental or consequential damages. Costs relating to obtaining access for repair or replacement are the responsibility of the user.

Our obligation shall be limited to the repair or replacement of a unit (at our discretion) that may prove, by our sole examination, to be defective under normal use and service during the warranty period.

Any failure of this product that is not traceable to a defect in material or workmanship is not covered by this warranty. These non-warrantable items include, but are not limited to:

- Improper installation not in accordance with manufacturer's instructions.
- Dents and/or scratches incurred during shipping, handling, or installation.
- Change in colour or finish due to chemical usage.
- Damage caused by failure to follow care and cleaning guidelines, including damage caused by the use of abrasive cleaners.
- Alterations made to the unit by the purchaser or installer.
- Damage caused by accidental impact, fire, flood, freezing, and normal wear.
- Bends and warping caused by forced connections, overtightened fittings, and inadequate support during installation.
- Damage caused by use of chlorine-based cleaners.

This warranty does not extend to commercial and institutional installation or use.

WARRANTY CLAIM PROCEDURE

If a claimable defect occurs or replacement parts are needed, please contact our customer service team at cs@conglomkb.com or 1-877-333-0098 (8:30 am - 5 pm, EST, Monday - Friday).

Before you make your call, please ensure that you have:

- Model number or description.
- Proof of sale.
- Details regarding the defect and/or part number.
- Name(s) and address(es) of the owner and/or installer.

Pre-Installation

TOOLS/MATERIALS REQUIRED (NOT SUPPLIED)



Adjustable wrench



Needle nose pliers



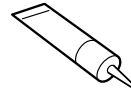
Phillips screwdriver



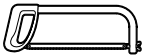
Utility knife



Pipe wrench



Sealant



Hacksaw



Carpenter's level



Hex key



Safety gloves



Safety goggles



Electric drill

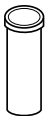


Blanket/
Large Cloth



Pencil

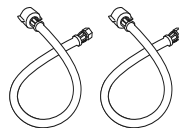
PARTS REQUIRED (NOT SUPPLIED)



Tail pipe



P-Trap

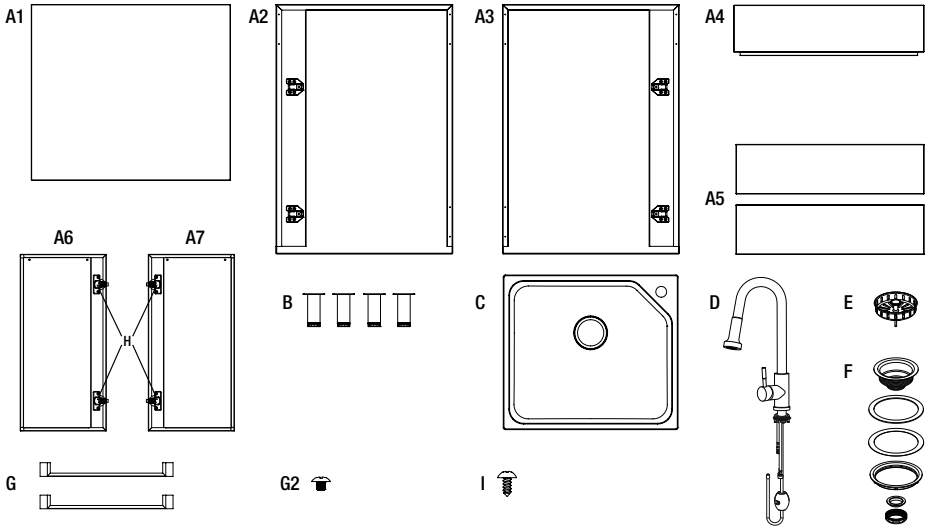


Supply lines

Pre-Installation (continued)

PACKAGE CONTENTS

Carefully check the utility cabinet for damage and/or missing parts prior to installation. If there is any damage or if you are missing parts, do not proceed with the installation. Report damage and/or missing parts immediately to our customer service team at cs@conglomkb.com or 1-877-333-0098 (Service available in English and French, Monday - Friday from 8:30 am - 5:00 pm EST). Please do not dispose of packaging before you are satisfied with your new utility cabinet.



Part	Description	Quantity
A1	Bottom Panel	1
A2	Left Side Panel	1
A3	Right Side Panel	1
A4	Top Panel	1
A5	Brace	2
A6	Left Door	1
A7	Right Door	1
C	Sink	1

Part	Description	Quantity
D	Faucet	1
E	Strainer Basket	1
F	Strainer Assembly	1
G	Handle	2
G2	Handle Screws	4
H	Door Hinge (attached to doors)	4
I	Screws	32

Installation

CABINET COMPONENTS

ENGLISH

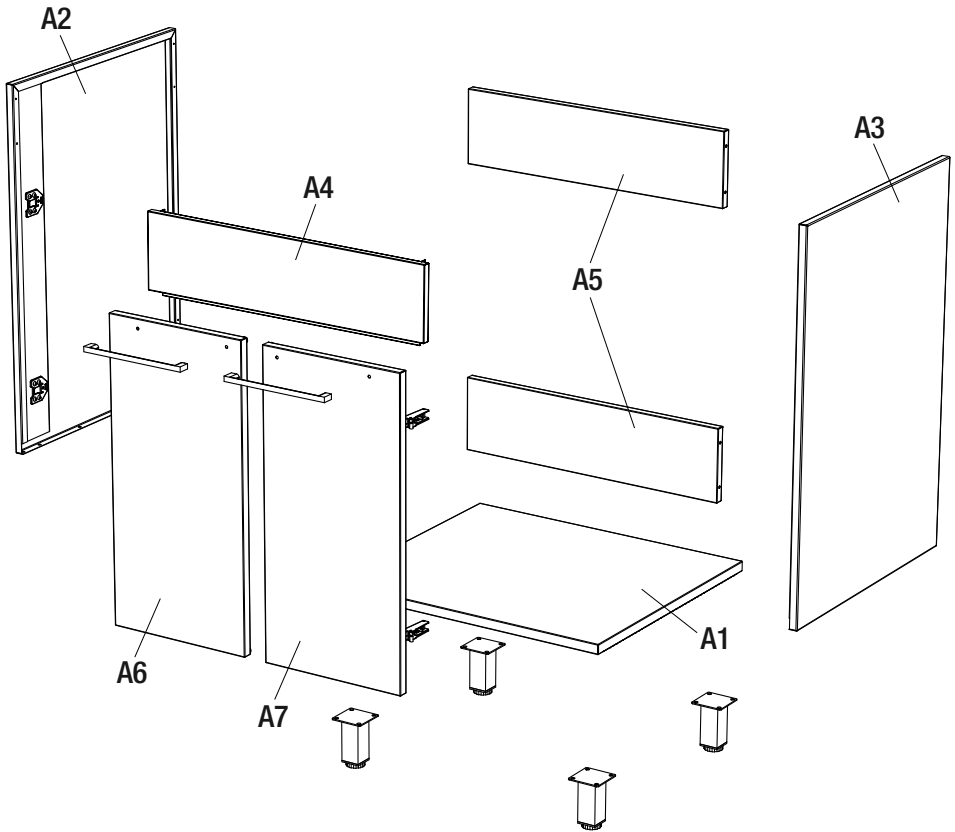


Fig.1

Installation (continued)

INSTALLATION OF SIDE PANELS, BOTTOM PANEL AND LEG POSTS

NOTE: When assembling cabinet, place all parts on a soft, protective surface. Use of an electric screwdriver can speed up assembly. Please ensure the torque setting is adjusted such that the screws are not stripped during installation.



DANGER: Always wear safety goggles and gloves in order to avoid personal injury.

- Install bottom panel (A1) into the slot of the side panels (A2, A3). Ensure hinge hardware is along upper side.
- Install leg posts (B) in place.

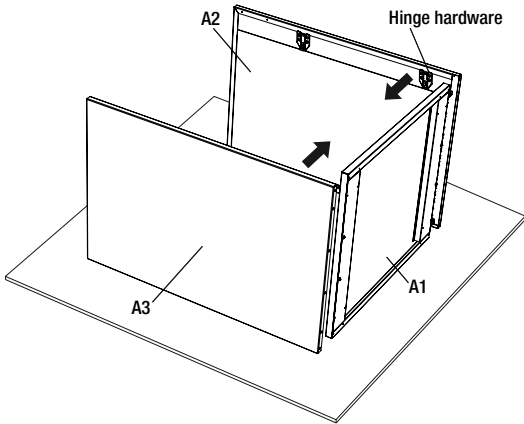


Fig.2

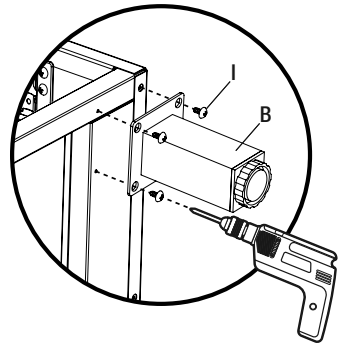


Fig.3

- Install screws to finish securing bottom panel to side panels.

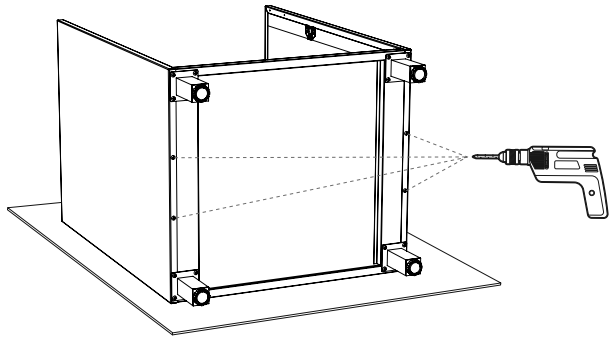


Fig.4

Installation (continued)

TOP PANEL INSTALLATION

- Place top panel (A4) on side boards and install into place. Ensure door stopper edge is oriented towards bottom of cabinet and the cosmetic side of top panel is facing the front of the cabinet.

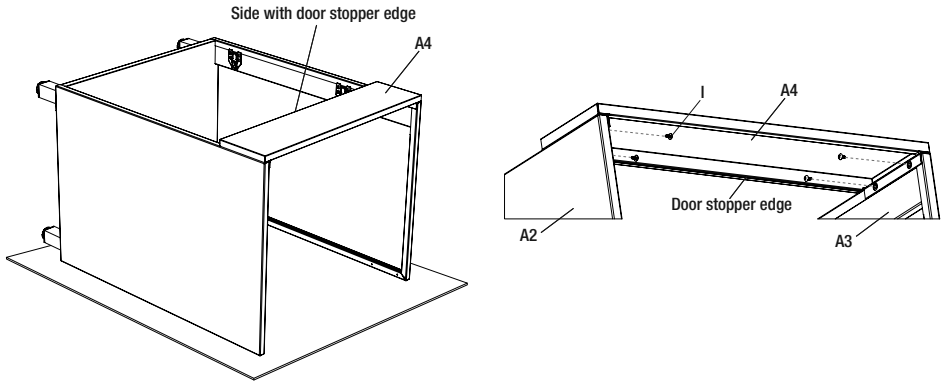


Fig. 5

INSTALLATION OF REAR BRACES

- Gently lift cabinet up.



CAUTION: Do not rest or bump the leveling legs on the side as this may cause them to detach or break.

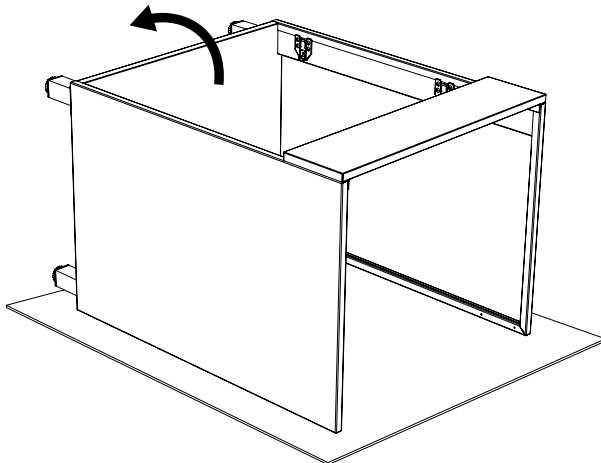


Fig. 6

Installation (continued)

- Install rear braces (A5) in place.

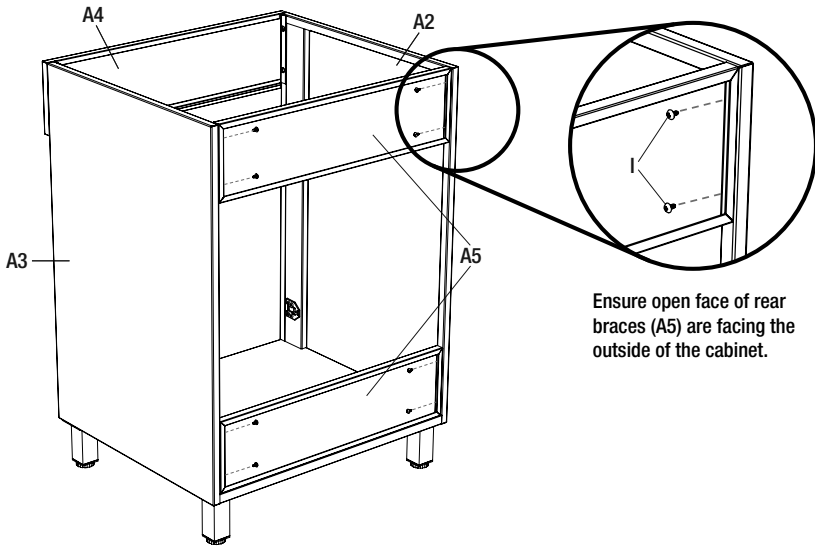


Fig. 7

DOOR HANDLE INSTALLATION

NOTE: Do not overtighten

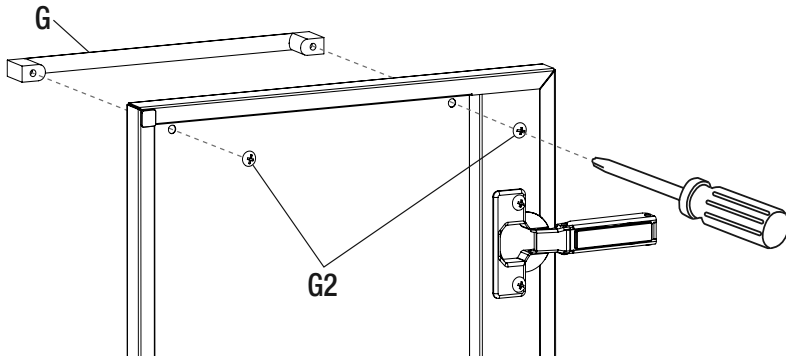


Fig. 8

Installation (continued)

DOOR INSTALLATION

- Hook and snap door hinges in place. You will hear a click sound when the hinges are properly engaged.

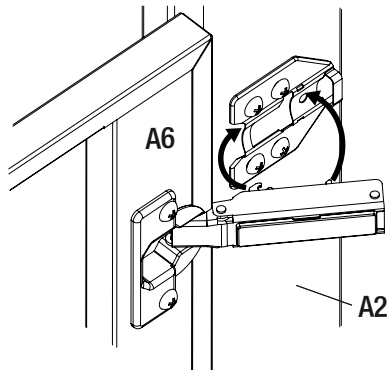


Fig. 9

DOOR POSITION ADJUSTMENT

If the doors need to be repositioned, the hinges can be adjusted to ensure a precise fit with the cabinet.

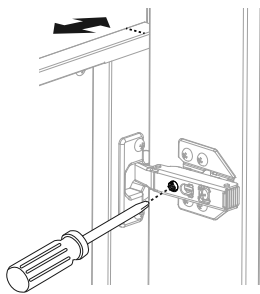


Fig. 10A

- The lateral adjustment screw adjusts the door orientation left and right.

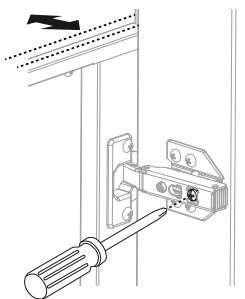


Fig. 10B

- The horizontal adjustment screw adjusts the door orientation front and back.

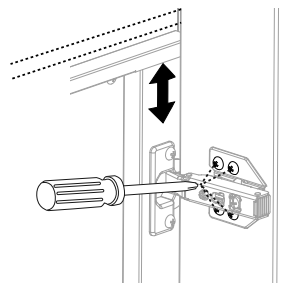


Fig. 10C

- The vertical adjustment screws adjust the door orientation up and down. Loosen screws, adjust height and then retighten. The two screws closest to the door may be removed.

Installation (continued)

INSTALLING THE FAUCET

- Connect the sprayer head (1) to the sprayer head connector (2).
- Remove the gasket (3), metal washer (4), and retaining nut (5) from the faucet.
- Install the faucet through the hole in the sink.
- From underneath, secure the faucet to the sink with the gasket (3), metal washer (4), and retaining nut (5).
- Tighten the retaining nut (5) by hand until it is snug. Use a wrench to tighten it down. Gently tighten the two screws on the retaining nut. Do not overtighten.
- Hand-tighten the hose (6) to the faucet outlet (7). Tighten the fittings using two wrenches. Hold the faucet outlet (7) steady with a wrench while turning the hose fitting with another wrench until it is snug.

NOTE: Failing to use two wrenches can damage the faucet. Do not overtighten.

- Push the sprayer head (1) into the faucet neck. Install the counterweight (8) a couple of inches from the bottom of the hose on the side closest to the sprayer head (1). There should be no slack in the hose and it should retract freely.
- Connect the water supply lines (not supplied) to the faucet.
- This faucet is equipped with standard 1/2" NPS male thread connectors that are compatible with standard 1/2" FIP water supply lines.

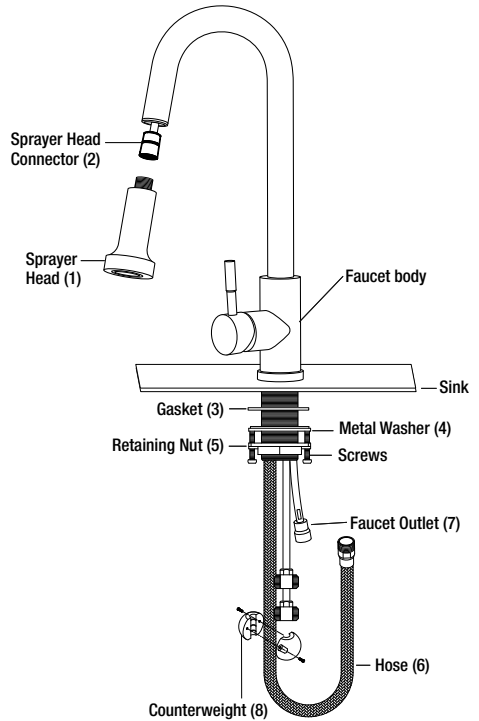


Fig. 12

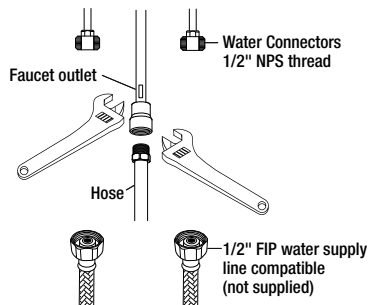


Fig. 13

Installation (continued)

INSTALLING THE STRAINER

- Apply plumbing putty or silicone sealant to the top side of the drain opening.
- Insert the strainer body (1) into the drain opening and press it down until it is evenly seated.
- Assemble the rubber gasket (2), fiber washer (3) and strainer locknut (4) onto the strainer body (1) from underneath the sink. Hand tighten the strainer locknut (4) until it is snug. Do not overtighten.
- Insert the plastic flange (5) into the flange-end of the tailpipe (6) (not supplied) then secure the tailpipe to the strainer body using the connecting nut (7). Tighten the connecting nut (7) until it is snug. Do not overtighten.
- Remove excess sealant from around the drain opening.

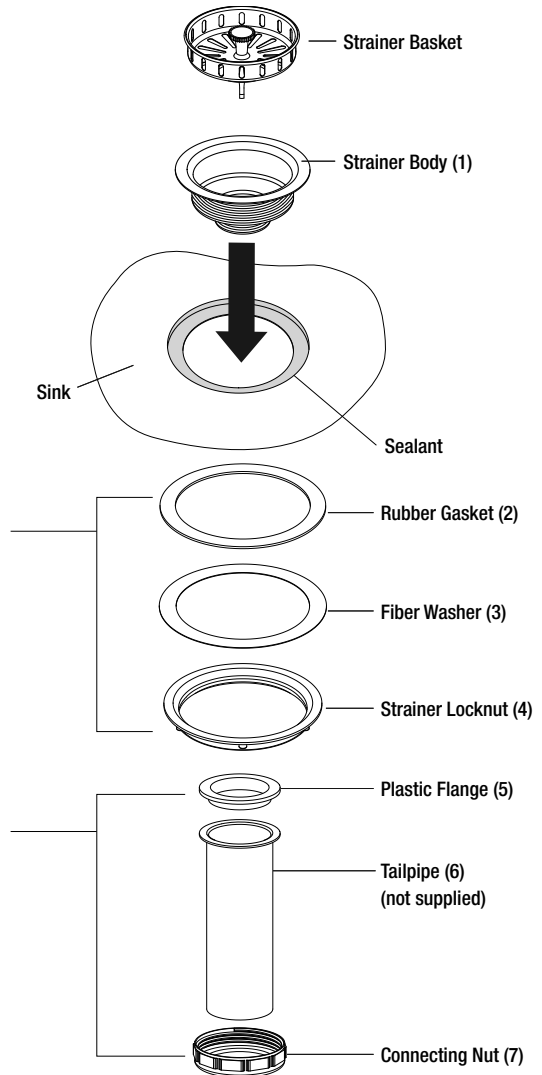
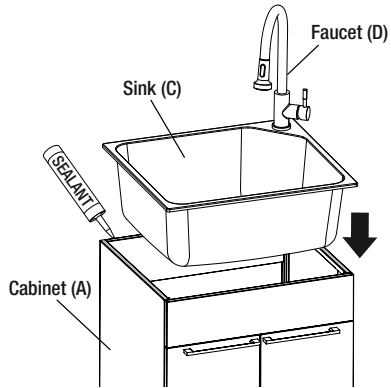


Fig. 14

Installation (continued)

MOUNTING THE UTILITY SINK

- Carefully place a bead of sealant all around the top of the cabinet (A).
- Ease the sink (C) into the cabinet (A). Ensure that it is placed evenly and is centered on the cabinet (A). Wipe off any excess sealant. Use masking tape to hold the sink (C) in place until the sealant dries.



PLACEMENT

- Push the cabinet (A) against the wall. Position cabinet as desired. If required, level it by adjusting the four leveling legs and checking the alignment of the sink (C) using a carpenter's level.

IMPORTANT: Secure the cabinet to the wall using hardware best suited for your wall type. Failing to do so could result in property damage or personal injury.

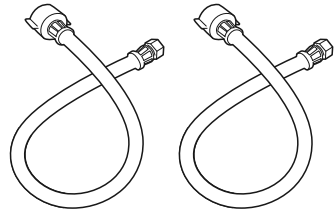
Use silicone sealant to seal the sink to the wall and any adjacent surfaces to keep those surfaces dry. Failing to do so could result in moisture damage.

DRAINAGE

- The tailpipe (not supplied) previously installed to the drain can now be connected to your household plumbing. In some cases, your household plumbing will have to be modified to ensure proper drainage. If so, please consult a licensed plumber to complete needed modifications.

SUPPLY LINES (NOT INCLUDED)

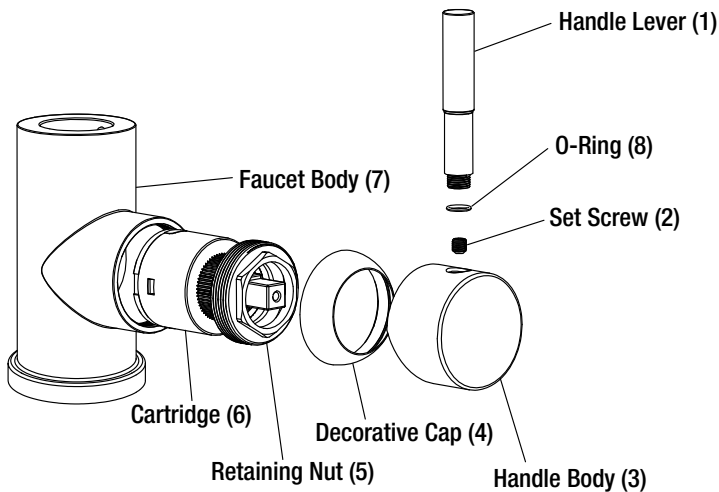
- Connect the supply lines to your home's water supply as per manufacturer's instructions.
- Open the hot and cold water supply valves and check to make sure they have been installed to appropriate inlet ports. Check for leaks. Run hot and cold water uninterrupted for about one minute to remove any residue from the lines.



Maintenance

CARTRIDGE REPLACEMENT

- Turn off the water supply to the faucet.
- Unscrew the handle lever (1). Loosen the set screw (2) with the hex key and remove the handle body (3).
- Gently unscrew the decorative cap (4) and retaining nut (5).
- Pull the cartridge (6) out of the faucet body (7) and replace it with a new ceramic cartridge. Ensure new cartridge is seated properly with the locating pins in appropriate place.
- Secure the cartridge in place using the retaining nut (5).
- Gently tighten the retaining nut (5) using a wrench. Do not overtighten.
- Reinstall the decorative cap (4). Slide the handle body (3) back onto the cartridge and make sure it rotates freely. Secure the handle body (3) in place using the set screw (2) and reinstall the handle lever (1).
- Turn the water supply to the faucet back on.
- Operate the faucet to make sure everything works correctly and check for leaks.



Care and Cleaning

Your utility sink is manufactured with the highest grade materials and will provide you many years of enjoyment with the proper care.

SINK

Do:

- After use, always rinse your sink with tap water to dilute and remove deposits.
- Towel dry after use whenever possible to prevent water spots. Should water spots occur, clean with a mild solution of vinegar and water followed by a thorough rinse.
- Use liquid soap, a general household cleaner, or a weak solution of vinegar and water for regular cleaning.
- Only use plastic scouring pads recommended for use in stainless steel sinks, and only use them in the bowl of the sink. Scrub in the direction of the satin finish lines.

Do Not:

- Do not allow any food, detergent, soap or grease to dry or sit for extended periods of time on the surface of the sink.
- Never use abrasive cleaning products, as they will dull and scratch the finish.
- Do not use scouring pads on the deck, as they will dull the finish.
- Never use steel wool pads or leave steel/cast iron pans in your sink for extended periods of time, as they will leave iron particles on the sink, which can cause corrosion.
- Never use chlorine-based cleaners in your new sink, they could lead to rust spots and discoloration. If you must use them, rinse sink thoroughly with fresh water immediately after use.
- If any chemicals or glue make contact with the sink during installation, wipe clean and rinse thoroughly with fresh water.

SCRATCH, SPOT, AND BLEMISH REMOVAL AND SURFACE RESTORATION:

Little rust spots and blemishes that periodically appear in the sink are typically the result of the steel interacting with the chemicals found in the vast spectrum of substances that sinks are commonly exposed to. They may also get transferred from other objects placed or left in the sink. Scratches are the result of regular wear and tear.

To remove scratches, spots, and blemishes from the sink, rub them with a non-metallic scouring pad (e.g. Scotch-Brite®) combined with a mild abrasive cleaner (e.g. Vim® or Barkeeper's Friend®). Always rub the surfaces in the direction of the grain of the steel. When finished, rinse the sink with water and dry it with a towel to allow the sink to form a protective outer layer. This procedure can also be used to renew all of the surfaces of the sink.

CABINET

Do:

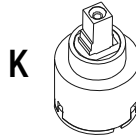
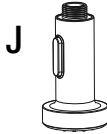
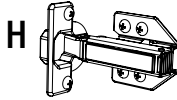
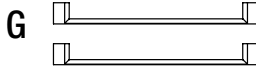
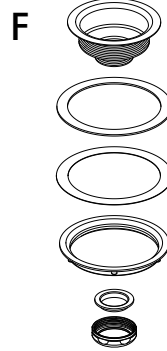
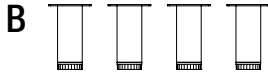
- Remove dust and dirt with a soft, damp cloth using mild soap and warm filtered water.
- Clean grease and stains with mild soap that contains emulsifiers. Immediately rinse with warm filtered water afterwards.

Do Not:

- Do not allow your cabinet surface to come into contact with any harsh cleaning products.
- Use caution when using sharp instruments that may fall and scratch the surface.

Service Parts

If you are missing parts or require replacement parts, please contact our customer service team at cs@conglomkb.com or 1-877-333-0098 (Service available in English and French, Monday - Friday from 8:30am - 5pm EST). Identify the required part(s) and have the part number(s) ready.



Part	Description	Code	Quantity
B	Leg Posts	QHL221B	4
E	Strainer Basket	QHL177	1
F	Strainer Assembly	QHL176	1
G	Handle	QHL226	2
G2	Handle Screws	QHL227	4
H	Door Hinge	QHL228B	4
I	Screws	QHL230	32
J	Sprayer Head	QHL223	1
K	Ceramic Cartridge	QHL216	1

Table des matières

OWNER'S MANUAL	2	Installation	21
Consigne de sécurité	17	Entretien	
Garantie		Remplacement de la cartouche.....	29
Garantie limitée d'un an.....	18	Soin et nettoyage	
Procédure de réclamation	18	Évier.....	30
Préinstallation		Armoire	30
Outils/Matériaux requis	19	Pièces de rechange	31
Pièces requises	19	MANUAL DEL USARIO	32
Contenu de l'emballage.....	20		

Consigne de sécurité



AVERTISSEMENT: Toujours porter des lunettes et des gants de sécurité pendant l'installation afin d'éviter les blessures.

LIRE ET CONSERVER CES DIRECTIVES

1. Vérifier soigneusement l'unité avant l'installation pour vous assurer qu'elle ne comporte aucun dommage. Après avoir déballé votre unité, vérifier s'il y a des rayures, des fissures, des bosses ou des éraflures. Si des dommages sont notés, ne pas installer.
2. Cet appareil ne peut être utilisé autrement que pour l'usage prévu par le fabricant. Consulter le fabricant pour toutes questions concernant l'appareil.
3. Votre installation doit être conforme à tous les codes de bâtiment locaux pour la plomberie. Veiller à ce qu'un ouvrier qualifié effectue ou approuve votre installation de plomberie.
4. Protéger la surface lors de l'installation.

Garantie

GARANTIE LIMITÉE D'UN AN

Inspecter minutieusement le produit avant l'installation et signaler tout dommage sans délai. Nous ne serons pas responsables des défaillances ou des dommages qui auraient dû être découverts ou évités par une inspection adéquate et des essais avant l'installation.

Conglom Inc. garantit ce produit contre tout défaut dans les matériaux ou la fabrication, pour une période d'un (1) an à compter de la date de l'achat. Une preuve d'achat (facture d'achat originale) du consommateur/acheteur original devra accompagner toute réclamation faite à Conglom Inc.

Cette garantie est non transférable et sera nulle si l'unité est enlevée de son installation initiale ou si elle n'est pas installée suivant les spécifications du fabricant. Elle ne s'applique pas dans l'éventualité de dommages causés au produit suite à l'utilisation de pièce(s) de rechange autre que les pièces originales Conglom Inc., (les pièces de rechange peuvent être obtenus en nous écrivant un courriel à cs@conglomkb.com ou en appelant au 1-877-333-0098 entre 8h30 et 17h00, H.N.E.) une erreur d'installation, l'abus, l'utilisation ou l'entretien incorrecte et le service incorrects (qu'ils soient effectués par un plombier, un entrepreneur, une entreprise de service ou un membre de la famille de l'acheteur). La garantie exclut les dommages causés par des conditions agressives d'air ou d'eau, des nettoyeurs ou des matériaux rudes et/ou abrasifs.

Nous ne pouvons en aucun cas être tenus responsables pour toute blessure corporelle ou tout dommage matériel résultant d'une mauvaise installation ou utilisation de ce produit. Nous ne serons pas tenues responsables de l'incapacité d'utiliser cette unité, des inconvénients, des coûts encourus pour la main d'œuvre, des matériaux, de l'enlèvement et de l'installation des unités de remplacement ou d'aucun autre dommage causé par un incident ou accessoire. Les coûts encourus pour obtenir l'accès pour la réparation ou le remplacement sont la responsabilité de l'utilisateur.

Nos obligations se limitent à la réparation ou au remplacement de l'unité (selon notre choix) qui peut s'avérer, selon notre examen unique, être défectueuse sous l'utilisation et le service normaux pendant la période de garantie. Nous pouvons émettre un crédit au montant de la valeur de la facture du produit défectueux (ou d'un pourcentage de ce montant selon l'usage) tenant lieu de la réparation ou du remplacement.

Toute défectuosité de l'unité qui ne peut être liée à un défaut de matériel ou de fabrication n'est pas couvert par cette garantie. Ces conditions non garanties incluent, mais ne se limitent pas aux suivantes :

- Une mauvaise installation non conforme aux instructions du fabricant.
- Les bosselures, bosses et rayures causées pendant l'expédition, la manutention ou l'installation.
- Changement de la couleur ou du fini en raison de l'usage d'un produit chimique.
- Les dommages causés par le non-respect des directives de soin et de nettoyage, y compris les dommages causés par l'utilisation de produits nettoyeurs abrasifs.
- Toute modification apportée à l'unité par l'acheteur ou l'installateur.
- Dommages en raison d'un impact accidentel, du feu, d'une inondation, du gel et de l'usure normale.
- Courbures et déformations provoquées par des raccordements forcés, des fixations trop serrées et un support inadéquat pendant l'installation.
- Dommages causés par l'utilisation de produits nettoyeurs à base de chlore.

Cette garantie ne s'applique pas à l'utilisation ou l'installation à des fins commerciales ou institutionnelles.

PROCÉDURE DE RÉCLAMATION

Si un défaut couvert par la garantie se produit ou que vous avez besoin des pièces de rechange, contacter notre service à la clientèle au cs@conglomkb.com ou au 1-877-333-0098 (lundi au vendredi, 8h30 à 17h, H.N.E.).

Avant d'appeler, veuillez-vous assurer d'avoir en main :

- Numéro de modèle ou une description.
- La preuve d'achat.
- Les détails concernant le défaut et/ou le numéro de la pièce de rechange.
- Le nom et l'adresse du propriétaire et/ou de l'installateur.

Préinstallation

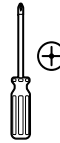
OUTILS/MATÉRIEL REQUIS (NON INCLUS)



Clé



Pincès à bec effilé



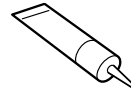
Tournevis Phillips



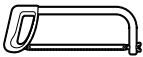
Couteau tout usage



Clé à tuyau



Mastic



Scie à métaux



Niveau



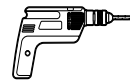
Clé hexagonale



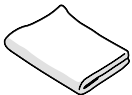
Gants de sécurité



Lunettes de sécurité



Tournevis électrique



Couverture/ Grand tissu



Crayon

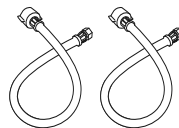
PIÈCES REQUISES (NON INCLUSES)



Tuyau de vidange



Siphon-P

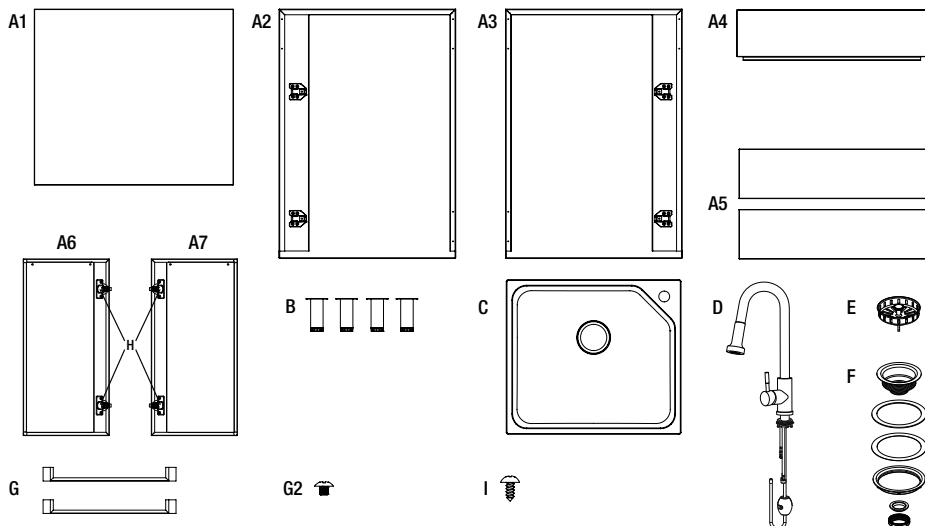


Tuyaux d'alimentation

Préinstallation (suite)

CONTENU DE L'EMBALLAGE

Vérifier soigneusement que l'unité ne comporte aucun dommage ou pièces manquantes avant l'installation. S'il y a des dommages ou s'il manque des pièces, ne pas procéder à l'installation. En cas de dommages ou de pièces manquantes, communiquer avec le service à la clientèle au cs@conglomkb.com ou **1 877 333-0098** (service en anglais et français, du lundi au vendredi, 8 h 30 et 17 h, HNE). Ne pas vous débarrasser de l'emballage avant d'être satisfait de ce produit.



Pièce	Description	Quantité
A1	Panneau inférieur	1
A2	Panneau latéral gauche	1
A3	Panneau latéral droit	1
A4	Panneau supérieur	1
A5	Support de montage	2
A6	Porte de gauche	1
A7	Porte de droite	1
B	Pattes	4
C	Évier	1

Pièce	Description	Quantité
D	Robinet	1
E	Panier de crépine	1
F	Assemblage de la crépine	1
G	Poignée	2
G2	Vis de poignée de porte	4
H	Charnière de porte (attachée aux portes)	4
I	Vis	32

Installation

COMPOSANTES DE L'ARMOIRE

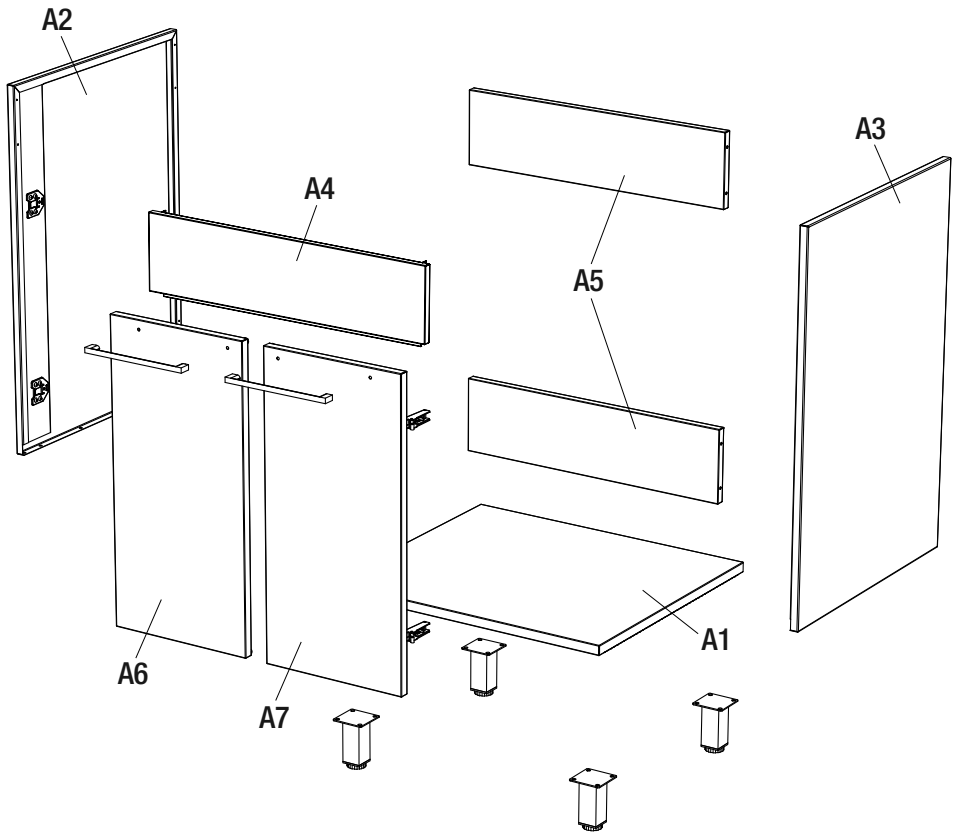


Fig.1

Installation (suite)

INSTALLATION DES PANNEAUX LATÉRAUX, DU PANNEAU INFÉRIEUR ET DES PATTES

REMARQUE : Lors de l'assemblage de l'armoire, placer toutes les pièces sur une surface douce pour les protéger. L'utilisation d'un tournevis électrique peut accélérer l'assemblage. S'assurer que le couple de serrage est réglé de sorte que les vis ne soient pas endommagées pendant l'installation.



AVERTISSEMENT : Toujours porter des lunettes et des gants de sécurité pendant l'installation afin d'éviter les blessures.

- Installer le panneau inférieur (A1) dans la fente des panneaux latéraux (A2, A3). S'assurer que les charnières se trouvent le long du côté inférieur.

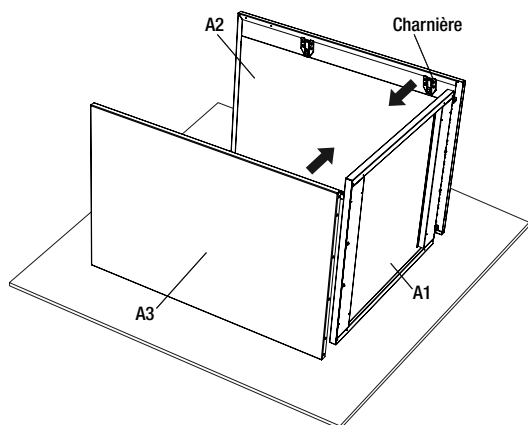


Fig.2

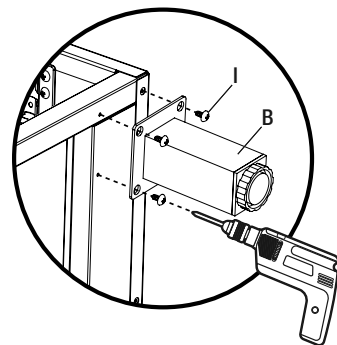


Fig.3

- Installer les vis pour fixer le panneau inférieur aux panneaux latéraux.

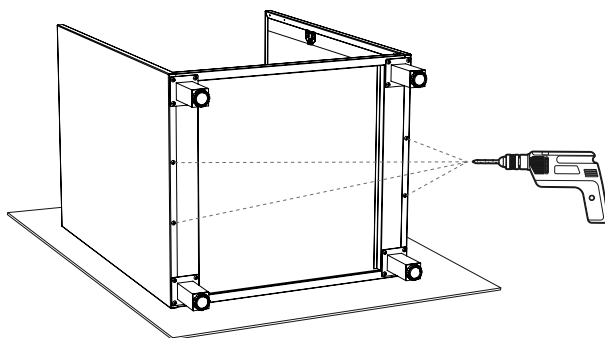


Fig.4

Installation (suite)

INSTALLATION DU PANNEAU SUPÉRIEUR

- Placez le panneau supérieur (A4) sur les panneaux latéraux et installez-le en place. S'assurer que le bord de l'arrêt de porte est orienté vers le bas de l'armoire et que le côté esthétique du panneau supérieur fait face à l'avant de l'armoire.

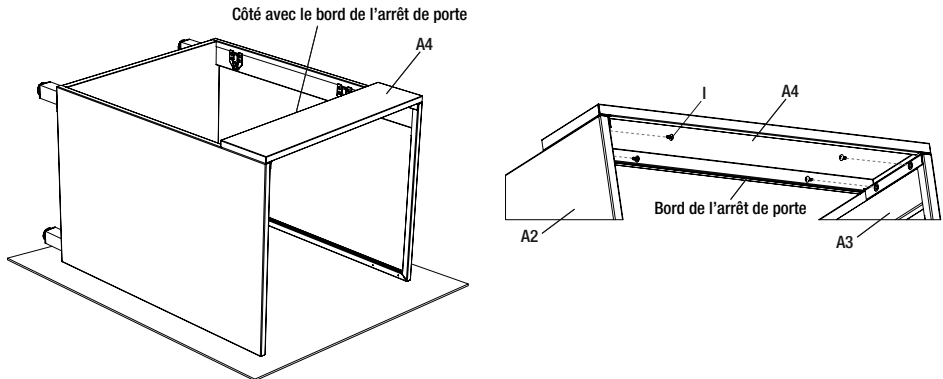


Fig. 5

INSTALLATION DES SUPPORTS ARRIÈRE

- Soulever doucement l'armoire.



MISE EN GARDE : Ne pas déposer et ne pas frapper les pattes de nivellement sur le côté, car elles pourraient se détacher ou se briser.

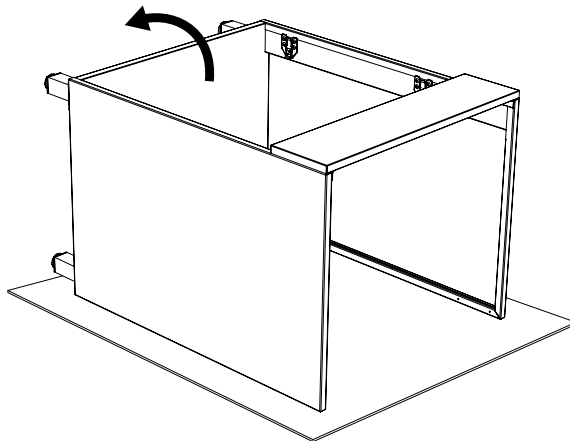


Fig. 6

Installation (suite)

- Installer les supports arrière (A5).

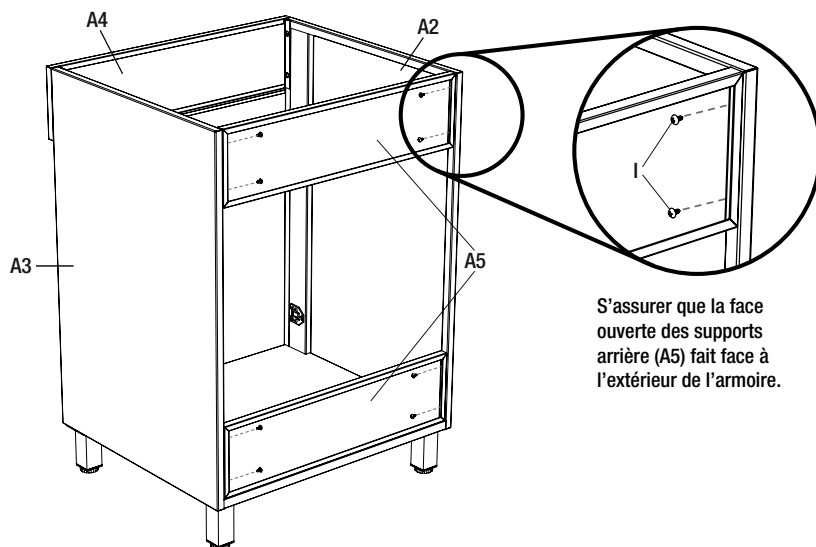


Fig. 7

INSTALLATION DES POIGNÉES

REMARQUE: Ne pas trop serrer.

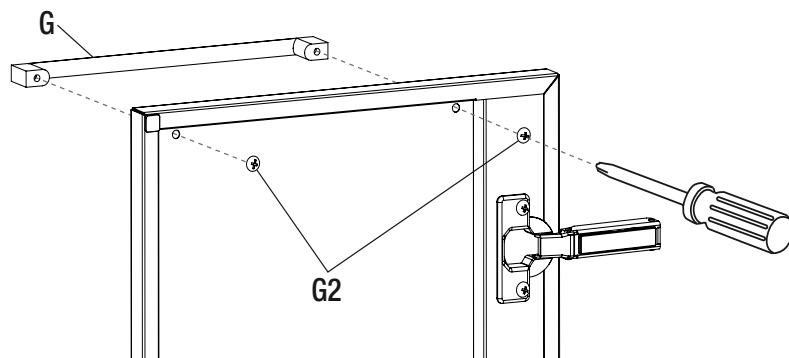


Fig. 8

Installation (suite)

INSTALLATION DE LA PORTE

- Accrocher et fixer les charnières de porte en place. Il y aura un déclic lorsque les charnières seront correctement fixées.

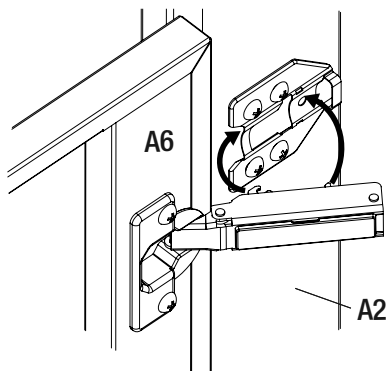


Fig. 9

AJUSTEMENT DE LA POSITION DES PORTES

Si les portes doivent être repositionnées, les charnières peuvent être réglées de façon à s'adapter précisément avec l'armoire.

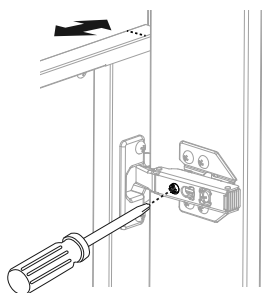


Fig. 10A

- La vis de réglage latéral permet de replacer la porte vers la gauche ou vers la droite.

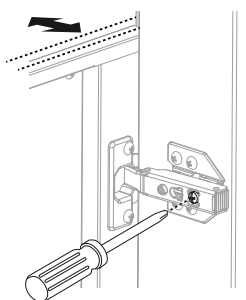


Fig. 10B

- La vis de réglage horizontal permet de replacer la porte vers l'avant ou vers l'arrière.

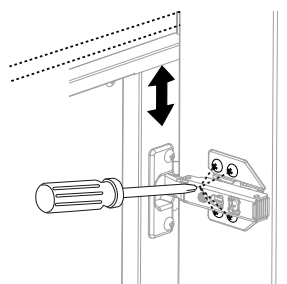


Fig. 10C

- Les vis de réglage vertical permettent de replacer la porte vers le haut ou vers le bas. Desserrer les vis, régler la hauteur et resserrer les vis. Les deux vis les plus proches de la porte peuvent être retirées.

Installation (suite)

INSTALLATION DU ROBINET

- Raccorder la douche (1) au raccord de la douche (2).
- Retirer le joint (3), la rondelle métallique (4) et l'écrou de serrage (5) du robinet.
- Installer le robinet dans l'orifice de l'évier.
- Par en dessous, utiliser le joint (3), la rondelle métallique (4) et l'écrou de serrage (5) pour fixer le robinet à l'évier.
- Serrer l'écrou de serrage (5) à la main jusqu'à ce qu'il soit bien fixé. Utiliser une clé pour serrer. Serrer délicatement les deux vis sur l'écrou de serrage. Ne pas trop serrer.
- À la main, serrer le tuyau souple (6) à la sortie du robinet (7). Serrer les raccords à l'aide de deux clés. Immobiliser la sortie du robinet (7) avec une clé tout en tournant le raccord avec une autre clé jusqu'à ce qu'elle soit bien fixée.

REMARQUE: Le robinet risque d'être endommagé si deux clés ne sont pas utilisées. Ne pas trop serrer.

- Pousser la douche (1) dans le col du robinet. Installer le contrepois (8) à quelques pouces du bas du boyau, du côté le plus proche de la douche (1). Il ne doit pas y avoir de jeu dans le tuyau souple; il doit se mouvoir librement.
- Raccorder l'alimentation en eau (non incluse) au robinet.
- Ce robinet est équipé de raccords filetés mâles standards d'un diamètre nominal de 1/2 po qui sont compatibles avec les tuyaux d'alimentation d'eau standards FIP (tuyau de fer femelle) de 1/2 po.

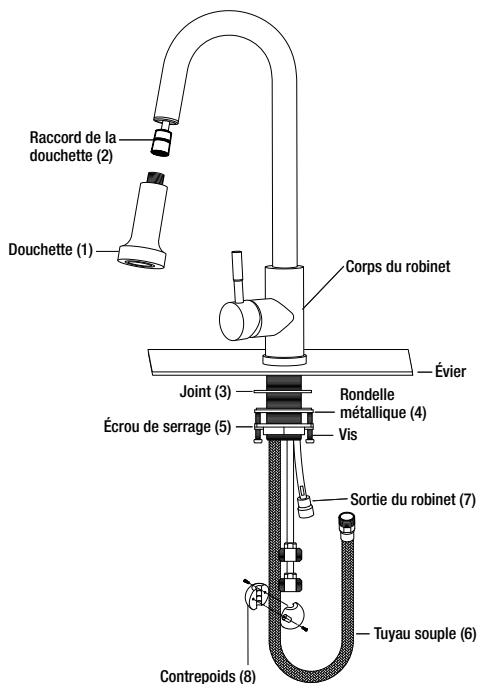


Fig. 12

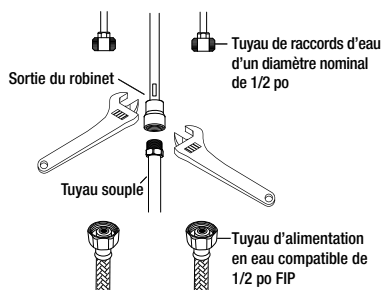


Fig. 13

Installation (suite)

INSTALLATION DE LA CRÉPINE

- Appliquer une bague d'étanchéité en mastic de plomberie ou scellant en dessous de la bride du corps de la crépine.
- Insérer le corps de la crépine (1) dans l'orifice d'évacuation et presser pour bien l'assoir sur la surface.
- Sous l'évier, assembler le joint en caoutchouc (2), la rondelle de friction (3) et l'écrou de blocage (4) sur le corps de la crépine (1). Serrer l'écrou de blocage (4) de la crépine à la main jusqu'à ce qu'il soit bien serré. Ne pas trop serrer.
- Insérer la bride en plastique (5) dans l'extrémité à bride du tuyau de vidange (6) (non fourni), puis fixer le tuyau de vidange au corps de la crépine à l'aide de l'écrou de raccord (7). Serrer l'écrou de raccord (7) jusqu'à ce qu'il soit bien serré. Ne pas trop serrer.
- Enlever l'excédent de mastic autour de l'orifice d'évacuation.

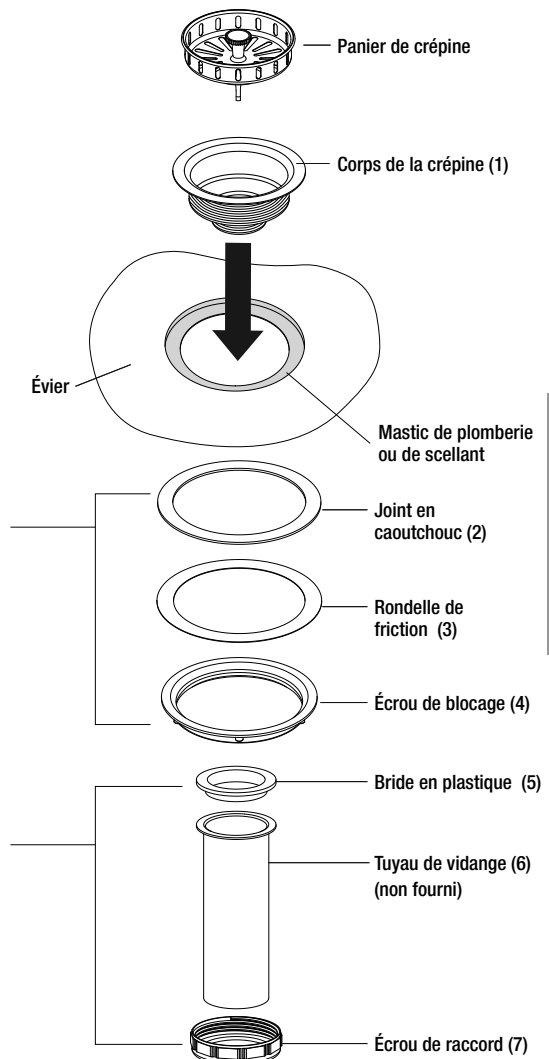
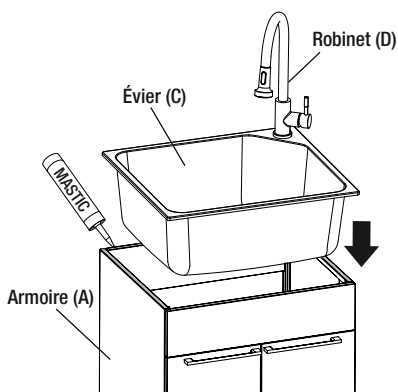


Fig. 14

Installation (suite)

INSTALLATION DE L'ÉVIER

- Appliquer soigneusement un peu de mastic autour du dessus de l'armoire (A).
- Insérer l'évier (C) dans l'armoire (A). S'assurer qu'il est placé uniformément et centré sur l'armoire (A). Essuyer tout résidu de produit d'étanchéité. Utiliser du ruban-cache pour tenir l'évier (C) en place jusqu'à ce que le mastic soit sec



MISE EN PLACE

- Pousser l'armoire (A) contre le mur. Au besoin, mettre l'armoire à niveau en ajustant les quatre pattes de nivellement et en vérifiant l'alignement de l'évier (C) à l'aide d'un niveau de menuisier.

REMARQUE IMPORTANTE: Fixer l'armoire au mur à l'aide de la quincaillerie la mieux adaptée à votre type de mur. L'omission de le faire pourrait entraîner des dommages matériels ou des blessures.

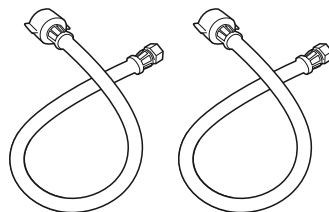
Utiliser du mastic à base de silicone pour sceller l'évier au mur et à toute surface adjacente pour garder ces surfaces sèches. L'omission de le faire pourrait entraîner des dommages causés par l'humidité.

DRAINAGE

- Le tuyau de vidange (non fourni) installé précédemment dans l'orifice d'évacuation peut maintenant être raccordé à la plomberie domestique. Dans certains cas, la plomberie devra être modifiée pour assurer un drainage adéquat. Si c'est le cas, consulter un plombier accrédité pour effectuer les modifications nécessaires.

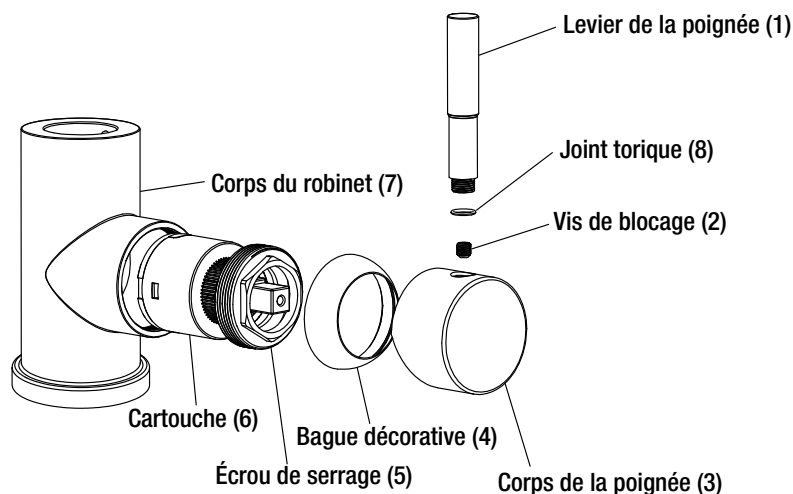
TUYAUX D'ALIMENTATION (NON INCLUS)

- Brancher les tuyaux d'alimentation à l'alimentation en eau du domicile conformément aux instructions du fabricant.
- Ouvrir les robinets d'alimentation en eau chaude et froide puis faire couler l'eau pour vérifier l'installation (tuyau d'eau chaude branché au bon endroit). Vérifier s'il y a des fuites. Faire couler de l'eau chaude et froide sans interruption pendant environ une minute pour éliminer tout résidu des tuyaux.



REPLACEMENT DE LA CARTOUCHE

- Couper l'alimentation en eau du robinet
- Dévisser le levier de la poignée (1). Desserrer la vis de blocage (2) à l'aide de la clé hexagonale fournie et retirer le corps de la poignée (3).
- Dévisser doucement la bague décorative (4) et l'écrou de serrage (5).
- Retirer la cartouche (6) du corps du robinet (7) et la remplacer par une nouvelle cartouche en céramique. Veiller à ce que la nouvelle cartouche soit correctement installée et que les broches d'alignement soient à l'endroit approprié.
- Fixer la cartouche en place à l'aide de l'écrou de serrage (5).
- Serrer doucement l'écrou de serrage à l'aide d'une clé. Ne pas trop serrer.
- Réinstaller la bague décorative (4). Faire glisser le corps de la poignée (3) sur la cartouche et vérifier s'il tourne librement. Fixer le corps de la poignée (3) en place à l'aide de la vis de blocage (2), puis réinstaller le levier de la poignée (1).
- Rebrancher l'alimentation en eau du robinet.
- Actionner le robinet pour en vérifier le bon fonctionnement et vérifier s'il y a des fuites.



Soin et nettoyage

Votre évier utilitaire est fabriqué avec des matériaux de la plus haute qualité. Moyennant l'apport des soins appropriés il vous fournira un excellent rendement pendant plusieurs années.

ÉVIER

À faire:

- Après l'utilisation, toujours rincer votre évier avec de l'eau de robinet pour diluer et enlever les dépôts.
- Si possible, sécher à la serviette après toute utilisation pour éviter les traces d'eau. Si les traces d'eau se produisent, nettoyer avec une solution douce de vinaigre et d'eau suivie d'un bon rinçage.
- Employer du savon liquide, un produit nettoyant de ménage général, ou une faible solution de vinaigre et d'eau pour le nettoyage régulier.
- N'utiliser que des tampons à récurer en plastique recommandés pour une utilisation dans les évier en acier inoxydable, et ne les utiliser que dans la cuve de l'évier. Frotter dans la direction des lignes du fini satiné.

À ne pas faire:

- Éviter de laisser sécher ou reposer sur la surface de l'évier tout résidu de nourriture, de détergent, de savon, de graisse ou de condiment pendant des périodes prolongées.
- Ne jamais employer des produits abrasifs car ils peuvent ternir et rayer le fini.
- Ne pas utiliser des tampons à récurer dans l'évier car ils peuvent ternir le poli.
- Ne jamais laisser des casseroles en acier ou en fonte dans votre évier pendant des périodes prolongées car elles mènent à la corrosion.
- Ne jamais utiliser de nettoyeurs à base de chlore avec votre nouvel évier, ceci pourrait causer l'apparition de taches de rouille ainsi que sa décoloration. Si vous devez utiliser de tels produits nettoyeurs, rincer vigoureusement avec de l'eau froide immédiatement après leur utilisation.
- Si d'autres produits chimiques ou de la colle entrent en contact avec la surface de l'évier, essuyer et rincer vigoureusement avec de l'eau froide

ÉLIMINATION DES RAYURES, TACHES ET IMPERFECTIONS, ET RESTAURATION DES SURFACES :

Les petites taches de rouille qui apparaissent régulièrement dans l'évier sont habituellement causées par l'interaction de l'acier avec les produits chimiques qui se trouvent dans de nombreuses substances auxquelles les évier sont couramment exposés. Elles peuvent également apparaître lorsque d'autres objets sont placés ou laissés dans l'évier. Les rayures, quant à elles, sont causées par l'usure normale.

Pour enlever les rayures et les taches dans l'évier, les frotter à l'aide d'un tampon à récurer non métallique (p. ex., Scotch-Brite^{MD}) et d'un nettoyeur légèrement abrasif (p. ex., Vim^{MD} ou Barkeeper's Friend^{MD}). Toujours frotter les surfaces dans le sens du grain de l'acier. Lorsque vous avez terminé, rincer l'évier avec de l'eau et l'essuyer à l'aide d'une serviette pour permettre qu'une couche externe protectrice se forme. Vous pouvez également utiliser cette procédure pour redonner à toutes les surfaces de l'évier leur éclat.

ARMOIRE

À faire:

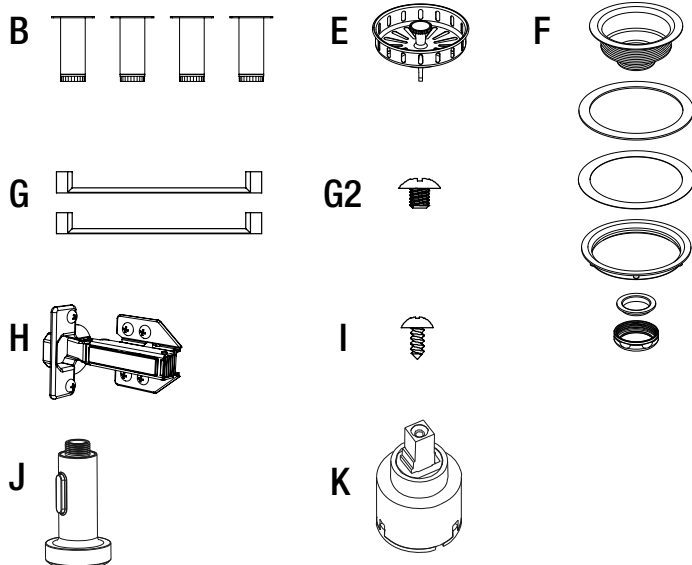
- Éliminer la poussière et la saleté sèche avec un linge doux et humide.
- Nettoyer les taches de graisse, d'huile, de peinture et d'encre avec de l'alcool à friction. Après avoir enlevé la tache, rincer immédiatement avec de l'eau.

À ne pas faire:

- Éviter que la surface de votre armoire entre en contact avec des produits tels l'acétone (dissolvant pour vernis à ongles), le vernis à ongles, la solution pour nettoyage à sec, le solvant à laque, la gazoline, l'huile de pin, etc.
- Éviter d'utiliser une lame de rasoir ou tout autre instrument coupant qui pourrait égratigner la surface.

Pièces de rechange

Si des pièces sont manquantes ou pour obtenir des pièces de rechange, communiquer avec nous au cs@conglomkb.com ou 1-877-333-0098 (service en anglais et français, du lundi au vendredi, de 8 h 30 à 17 h, HE). Faire la liste des pièces nécessaires avec leur code.



Pièce	Description	Code	Quantité
B	Pattes	QHL221B	4
E	Panier de la crépine	QHL177	1
F	Assemblage de la crépine	QHL176	1
G	Poignée de porte	QHL226	2
G2	Vis de poignée de porte	QHL227	4
H	Charnière de porte	QHL228B	4
I	Vis	QHL230	32
J	Douchette	QHL223	1
K	Cartouche en céramique	QHL216	1

Índice

OWNER'S MANUAL	2	Instalación	36
MANUEL DE L'UTILISATEUR	17	Mantenimiento	
Información de seguridad	32	Reemplazo del cartucho	44
Garantía		Cuidado y limpieza	
Un año de garantía limitada	33	Fregadero de servicio	45
Procedimiento de reclamación	33	Armario	45
Preinstalación		Piezas de repuesto	46
Herramientas/Materiales requeridos	34		
Piezas necesarias	34		
Contenido del paquete	35		

Información de seguridad



PRECAUCIÓN : Use guantas y gafas de seguridad en todo momento para evitar lesiones personales.

LEA Y GUARDE ESTAS INSTRUCCIONES

1. Examine la unidad antes de proceder. Verifique si la superficie presenta defectos o daños, abolladuras, curvaturas, golpes o marcas por rozaduras. Si observa algún daño, no le instale.
2. Utilice esta unidad exclusivamente de la manera concebida por el fabricante; si tiene preguntas, comuníquese con el fabricante.
3. El trabajo de instalación y de plomería deben ser hechos por personas calificadas de acuerdo con todos los códigos y normas aplicables, e incluye una construcción calificada a prueba de incendio.
4. Proteja la superficie total del producto durante la instalación para evitar daños.

Garantía

UN AÑO DE GARANTÍA LIMITADA

Se debe realizar una inspección a conciencia antes de la instalación y debe reportar inmediatamente cualquier daño. No nos hacemos responsables por fallos o daños que pudieran haberse descubierto o evitado con una inspección y pruebas adecuadas antes de la instalación.

Conglom Inc. garantiza este producto contra defectos en materiales y de fabricación durante 1 (un) año a partir de la fecha de compra. Es necesario que el comprador original entregue a Conglom Inc. el comprobante de compra (recibo original) para todos los reclamos relacionados con la garantía.

Esta garantía no es transferible y será anulada si la unidad se quita del lugar donde se instaló inicialmente o si no se instala de acuerdo con las instrucciones del fabricante. La garantía no se aplica en caso de daños en el producto debidos al uso de piezas distintas a los repuestos originales de Conglom Inc. (las piezas de repuesto se pueden obtener enviando un correo electrónico a cs@conglomkb.com o llamando al 1-877-333-0098 entre las 8:30 a. m. y 5:00 p. m. EST) a los errores de instalación, el maltrato, uso indebido y cuidado y mantenimiento inapropiados (sin importar si lo realiza un plomero, contratista, proveedor de servicios o familiar del comprador). La garantía no incluye los daños debidos a condiciones agresivas del aire o el agua, limpiadores y / o materiales fuertes o abrasivos.

Bajo ninguna circunstancia seremos responsables de lesiones físicas o daños a la propiedad que resulten de una instalación o uso inapropiados de este producto. No seremos responsables por inconvenientes ocasionados por pérdida de uso de este producto, costos incurridos en mano de obra o materiales, retiro e instalación de unidades de remplazo, ni ningún otro daño incidental o consecuente. Costos relacionados con la obtención de acceso para la reparación o el reemplazo son la responsabilidad del usuario.

Nuestra obligación se limita a la reparación o reemplazo de una unidad (a nuestra discreción) que pueda comprobarse, únicamente al examinarla nosotros, que tiene defectos bajo un uso y servicio normal durante el periodo de garantía.

Cualquier fallo de este producto que no sea identificable como un defecto en materiales o de fabricación no estará cubierto por esta garantía. Estos artículos que no se pueden garantizar incluyen, pero no se limitan a:

- Instalación indebida sin seguir las instrucciones del fabricante.
- Abolladuras y/o rayones ocasionados durante el transporte, el manejo o la instalación.
- Cambio en el color o acabado debido al uso de productos químicos.
- Daños ocasionados por no seguir las pautas de cuidado y limpieza, incluyendo daños ocasionados por el uso de limpiadores abrasivos.
- Alteraciones hechas a la unidad por parte del comprador o instalador.
- Daños ocasionados por golpes accidentales, incendios, inundaciones, congelamiento y por el desgaste normal.
- Dobleces y deformaciones causados por conexiones forzadas, accesorios demasiado apretados y soporte inadecuado durante la instalación.
- Daños ocasionados por usar limpiadores a base de cloro.

Esta garantía no cubre el uso o la instalación comercial ni institucional.

PROCEDIMIENTO DE RECLAMACIÓN DE GARANTÍA

Si ocurre un defecto por el que se pueda presentar una reclamación o si se necesitan repuestos, póngase en contacto con nuestro equipo de servicio al cliente escribiendo a cs@conglomkb.com o llamando al teléfono 1-877-333-0098 (de lunes a viernes, de 8:30 a. m. a 5:00 p. m., EST).

Antes de llamar para presentar una reclamación, asegúrese de tener a la mano:

- El número o la descripción del modelo.
- El comprobante de compra.
- Los detalles del defecto y o el número de pieza.
- Nombre(s) y domicilio(s) del propietario y el instalador.

Preinstalación

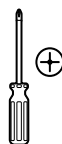
HERRAMIENTAS/MATERIALES REQUERIDOS (NO SUMINISTRADOS)



Llave



Alicates



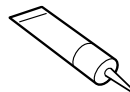
Destornillador de estrella (Phillips)



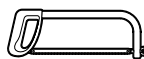
Cuchillo de uso general



Llave de tubos



Sellador de silicona



Sierra de mano



Nivel de carpintero



Llave hexagonal



Guantes de seguridad



Gafas de seguridad



Taladro eléctrico



Manta / Tela grande



Marcador o lápiz

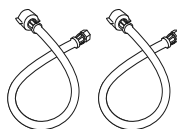
PIEZAS REQUERIDAS (NO SUMINISTRADAS)



Tubo final (1)



Sifón P

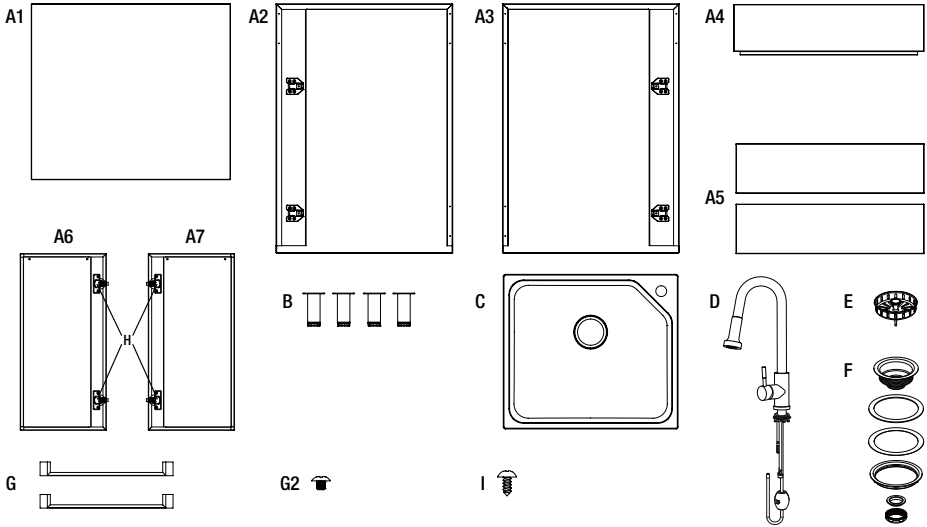


Línea de alimentación (2)

Preinstalación (continuación)

CONTENIDO DEL PAQUETE

Antes de llevar a cabo la instalación, verifique cuidadosamente que la unidad no presente ningún daño ni que falten piezas. En caso de que la unidad esté dañada o falten piezas, comuníquese con el departamento de servicio al cliente vía cs@conglomkb.com o al **1-877-333-0098** (servicio en inglés y francés, de lunes a viernes, de 8:30 a.m. A 5 p.m., hora del Este). No tire el embalaje hasta que quede satisfecho con el producto.



Pieza	Descripción	Cantidad
A1	Panel inferior	1
A2	Panel lateral izquierdo	1
A3	Panel lateral derecho	1
A4	Panel superior	1
A5	Abrazadera	2
A6	Puerta izquierda	1
A7	Puerta derecha	1
B	Postes de las patas	4
C	Fregadero	1

Pieza	Descripción	Cantidad
D	Grifo	1
E	Colador	1
F	Conjunto de colador	1
G	Manijas de las puertas	2
G2	Tornillos de las manijas	4
H	Bisagra de puerta (sujeta a las puertas)	4
I	Tornillos	32

Instalación

COMPONENTES DEL GABINETE

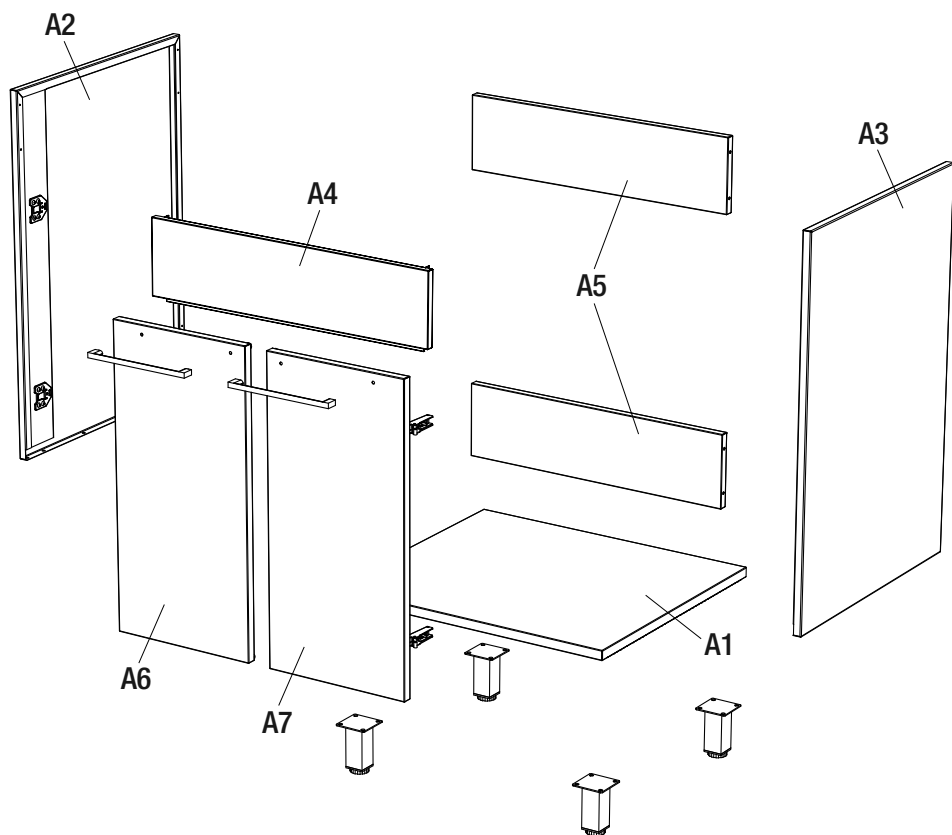


Fig.1

Instalación (continuación)

INSTALACIÓN DE LOS PANELES LATERALES, EL PANEL INFERIOR Y LOS POSTES DE LAS PATAS

NOTA: Para armar el gabinete, coloque todas las piezas sobre una superficie suave y protectora. El uso de un destornillador eléctrico puede acelerar el montaje. Asegúrese de que la configuración de torque esté ajustada de manera que los tornillos no se barran durante la instalación.



PRECAUCIÓN: Use guantes y gafas de seguridad en todo momento para evitar lesiones personales.

- Instale el panel inferior (A1) en la ranura de los paneles laterales (A2, A3). Asegúrese de que el accesorio de la bisagra se encuentren a lo largo del lado inferior.
- Instale los postes de las patas (B) en su lugar.

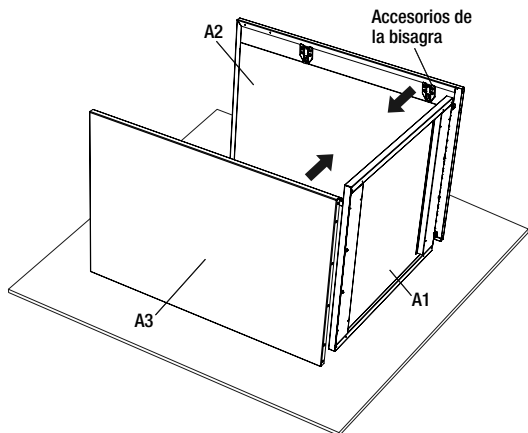


Fig.2

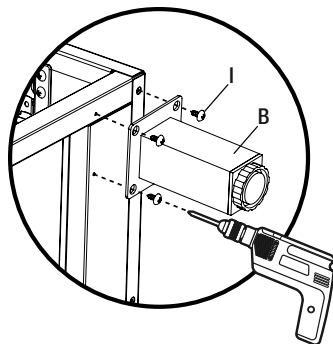


Fig.3

- Instale tornillos para asegurar el panel inferior a los paneles laterales.

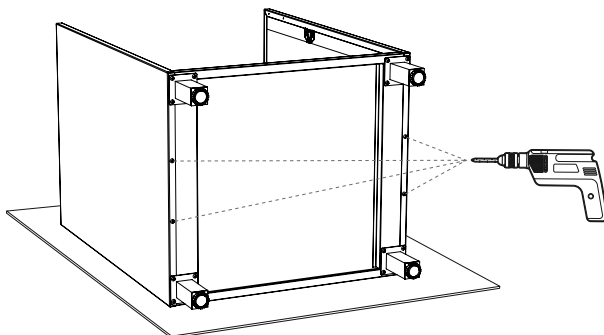


Fig.4

Instalación (continuación)

INSTALACIÓN DEL PANEL SUPERIOR

- Coloque el panel superior (A4) en las tablas laterales e instálo en su lugar. Asegúrese de que el borde del tope de la puerta esté orientado hacia la parte inferior del gabinete y que el lado cosmético del panel superior quede orientado hacia el frente del gabinete.

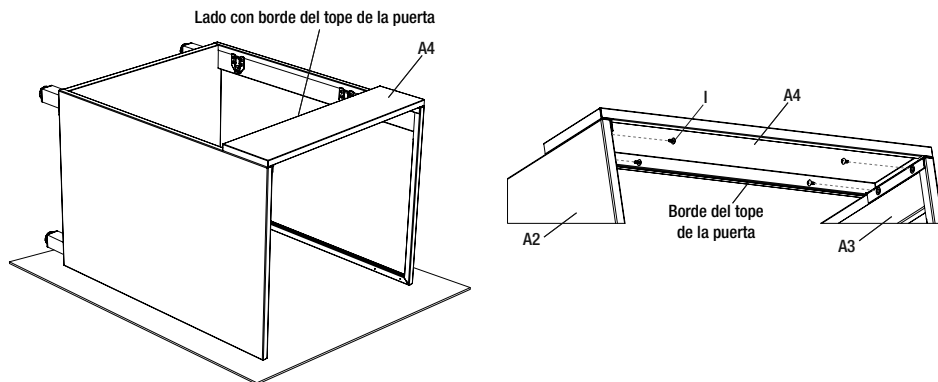


Fig. 5

INSTALACIÓN DE LAS ABRAZADERAS TRASERAS

- Levante suavemente el gabinete.



PRECAUCIÓN: No descance ni golpee el costado de las patas niveladoras, ya que pueden desprenderse o romperse.

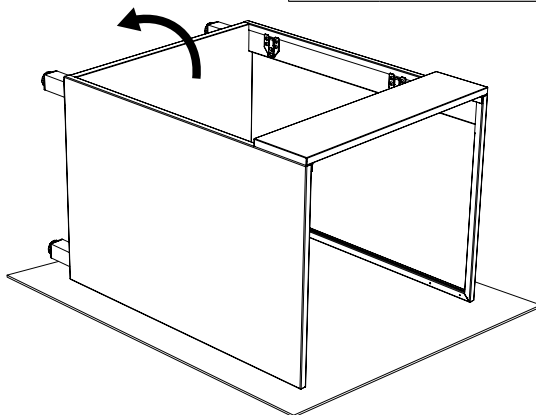


Fig. 6

Instalación (continuación)

- Instale las abrazaderas traseras (A5) en su lugar.

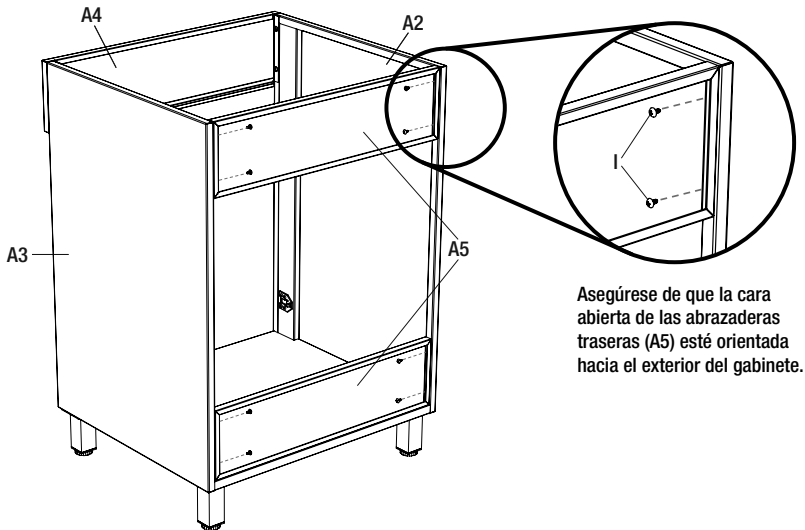


Fig. 7

INSTALACIÓN DE LAS MANIJAS

NOTA: No apriete demasiado.

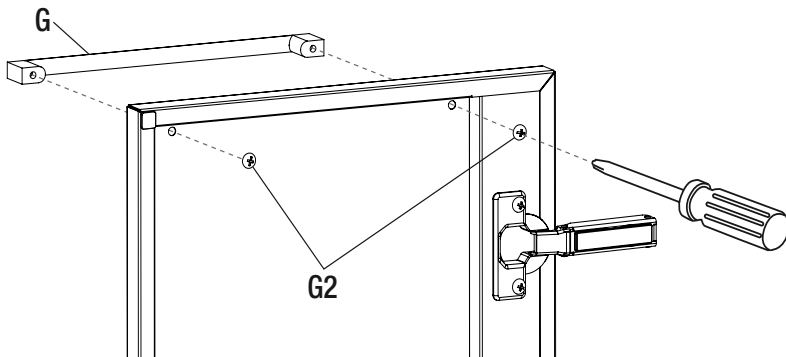


Fig. 8

Instalación (continuación)

INSTALACIÓN DE LA PUERTA

- Enganche y abroche las bisagras de la puerta en su lugar. Escuchará un clic cuando las bisagras se enganchen correctamente.

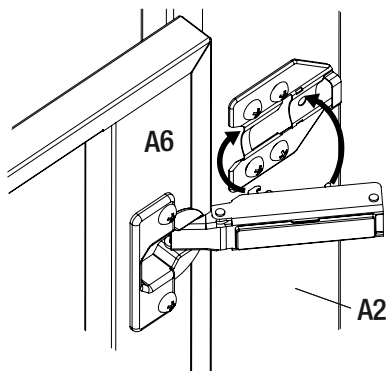


Fig. 9

AJUSTE DE LA POSICIÓN DE LAS PUERTAS

Si necesita reubicar las puertas, ajuste las bisagras para garantizar que embonen con el armario.

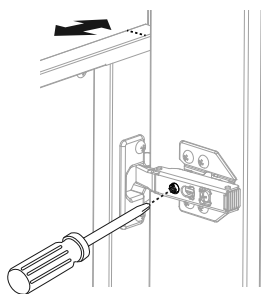


Fig. 10A

- El tornillo de ajuste lateral ajusta la orientación de la puerta hacia la izquierda y a la derecha.

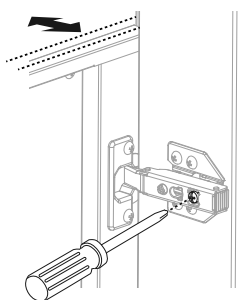


Fig. 10B

- El tornillo de ajuste horizontal ajusta la orientación de la puerta hacia adelante y hacia atrás.

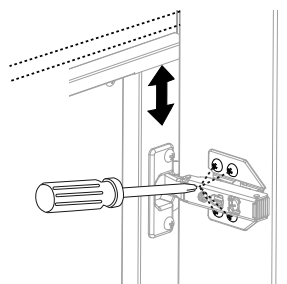


Fig. 10C

- Los tornillos de ajuste vertical ajustan la orientación de la puerta hacia arriba y hacia abajo. Afloje los tornillos, ajuste la altura y vuelva a apretarlos. Puede quitar los dos tornillos más cercanos a la puerta.

Instalación (continuación)

INSTALACIÓN DEL GRIFO

- Conecte el cabezal de aspersión conector (1) para cabezal de aspersión (2).
- Quite la junta (3), la arandela metálica (4) y la tuerca de retención (5) del grifo.
- Instale el grifo a través del orificio del lavabo.
- Desde la parte inferior, asegure el grifo al lavabo con la junta (3), la arandela metálica (4) y la tuerca de retención (5).
- Apriete la tuerca de retención (5) con la mano hasta que quede bien ajustada. Apriete con ayuda de una llave. Apriete delicadamente los dos tornillos en la tuerca de retención. No apriete más de lo necesario.
- Apriete con la mano la manguera (6) a la toma del grifo (7). Apriete los accesorios usando dos llaves. Sostenga la toma del grifo (7) firmemente con una llave mientras gira la conexión de la manguera con otra llave hasta que quede ajustada.

NOTA: Si no utiliza dos llaves, puede dañar el grifo. No apriete demasiado.

- Empuje el cabezal de aspersión (1) en el cuello de la manguera. Instale el contrapeso (8) a un par de pulgadas de la parte inferior de la manguera en el lado más cercano al cabezal de aspersión (1). No debería quedar ningún espacio de holgura en la manguera y debería poder retraerse libremente.
- Conecte las líneas de abastecimiento de agua (no incluidas) al grifo..
- Este grifo está equipado con conectores de rosca macho NPS estándar de 1/2" compatibles con líneas de suministro de agua FIP estándar de 1/2".

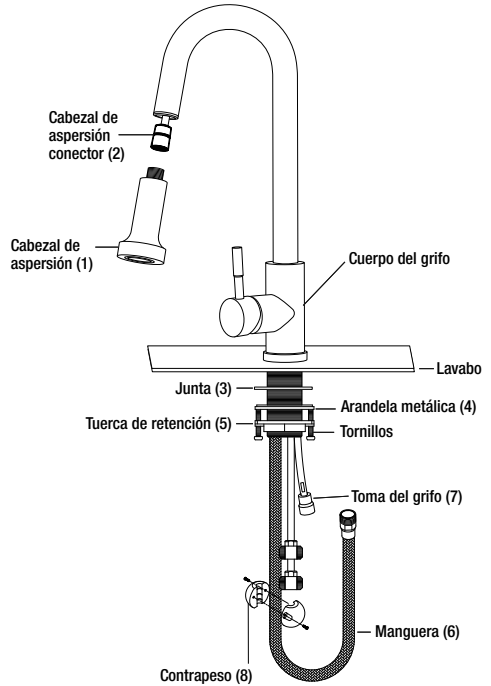


Fig. 12

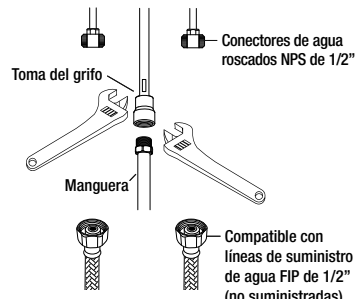


Fig. 13

Instalación (continuación)

INSTALAR EL COLADOR

- Aplique masilla de plomería o sellador de silicona a la parte superior de la abertura de drenaje.

- Inserte el cuerpo del colador (1) en la abertura de drenaje y presiónelo hacia abajo hasta que esté colocado uniformemente.

- Ensamble la junta de caucho (2), la arandela de fricción (3) y la contratuerca (4) en el cuerpo del colador (1) por debajo del fregadero. Ajuste la contratuerca (4) del colador manualmente. No la apriete demasiado.

- Inserte la brida de plástico (5) en el extremo de la brida del tubo de escape (6) (no incluido) y luego asegure el tubo de escape al cuerpo del colador con la tuerca de conexión (7). Ajuste la tuerca de conexión (7) manualmente. No la apriete demasiado.

- Retire el exceso de sellador de la abertura de drenaje

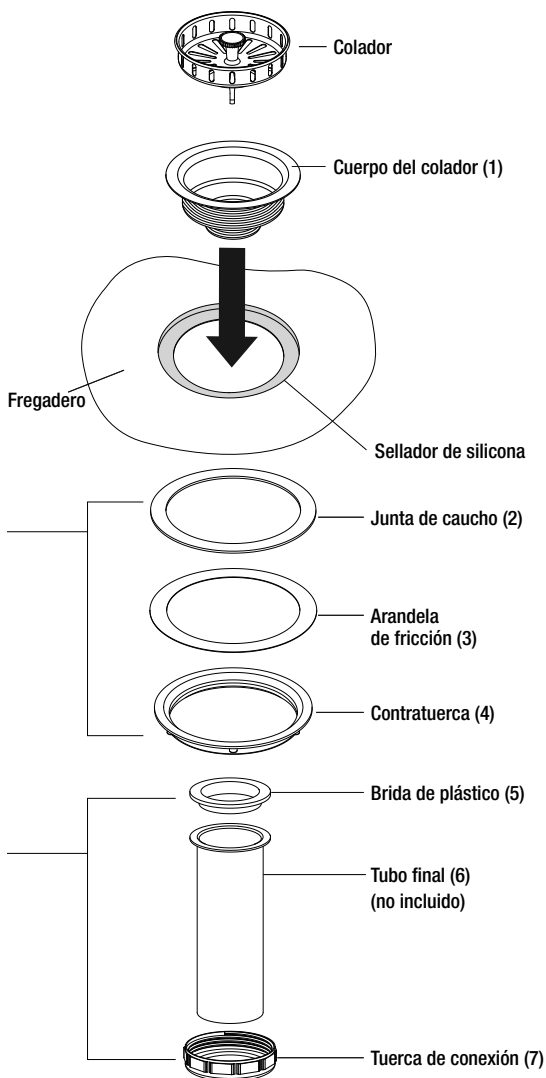
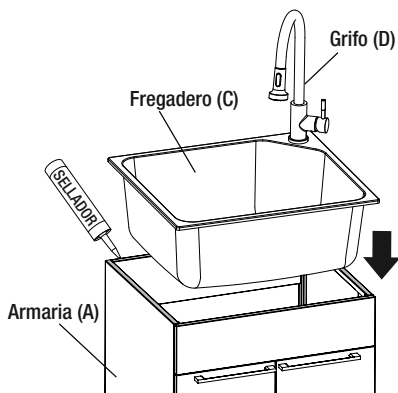


Fig. 14

Instalación (continuación)

INSTALAR EL FREGADERO

- Con cuidado, agregue un poco de sellador alrededor de la parte superior del armario (A).
- Coloque cuidadosamente el lavabo (C) en el armario (A). Asegúrese de que no esté inclinado y de que se encuentre en el centro del armario (A). Elimine el exceso de sellador. Use cinta adhesiva para mantener el lavabo (C) en su lugar hasta que se seque el sellador.



COLOCACIÓN

- Coloque el armario en la ubicación deseada. Si hace falta, ajuste la cuatro patas niveladoras y compruebe la alineación de la parte superior utilizando un nivel de burbuja.

NOTA: Asegure el gabinete a la pared con ayuda de los accesorios más adecuados para su tipo de pared. No hacerlo podría provocar daños a la propiedad o lesiones físicas.

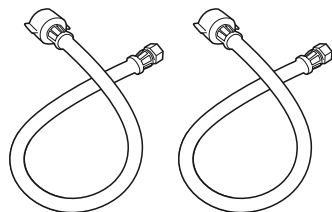
Use sellador de silicona para sellar el fregadero a la pared y cualquier superficie adyacente y así mantener dichas superficies secas. No hacerlo podría provocar daños por humedad.

DRENAJE

- Ahora puede conectar a la tubería doméstica el tubo de escape (no incluido) instalado previamente en el drenaje. En algunos casos, la plomería de su hogar tendrá que ser modificada para que el drenaje sea adecuado. De ser así, contrate a un plomero autorizado para que realice las modificaciones necesarias.

LÍNEAS DE ABASTECIMIENTO (NO INCLUIDAS)

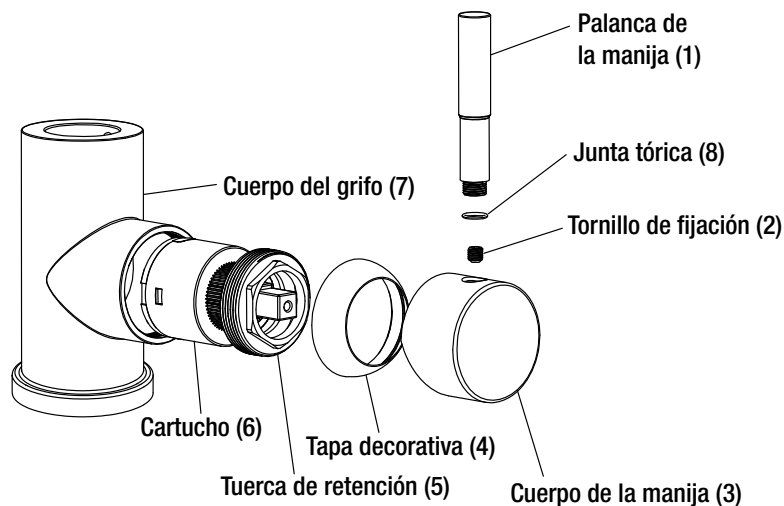
- Conecte las líneas de abastecimiento al suministro de agua de la casa de acuerdo con las instrucciones del fabricante.
- Abra las válvulas de abastecimiento del agua fría y la caliente, y asegúrese de que estén instaladas en las tomas adecuadas. Revise que no haya fugas. Deje abierta el agua caliente y la fría durante aproximadamente un minuto completo, para eliminar cualquier residuo de las líneas.



Mantenimiento

REEMPLAZO DEL CARTUCHO

- Cierre el suministro de agua del grifo.
- Desatornille la palanca de la manija (1). Afloje el tornillo de fijación (2) con la llave hexagonal que se incluye y retire el cuerpo de la manija (3).
- Desatornille suavemente la tapa decorativa (4) y la tuerca de retención (5).
- Extraiga el cartucho (6) del cuerpo del grifo (7) y reemplácelo con un nuevo cartucho cerámico. Asegúrese de que el nuevo cartucho esté colocado correctamente con las clavijas de ubicación en el lugar adecuado.
- Fije el cartucho en su lugar con la tuerca de retención (5).
- Apriete delicadamente la tuerca de retención utilizando una llave. No apriete demasiado.
- Vuelva a instalar la tapa decorativa (4). Deslice el cuerpo de la manija (3) sobre el cartucho y asegúrese de que gire libremente. Asegure el cuerpo de la manija (3) en su lugar con el tornillo de fijación (2) y vuelva a instalar la palanca de la manija (1).
- Abra nuevamente el suministro de agua del grifo.
- Opere el grifo para asegurarse de que todo funcione correctamente y verifique que no haya fugas.



Cuidado y limpieza

Este fregadero está fabricado con acero inoxidable de la mejor calidad y podrá utilizarlo durante muchos años siempre y cuando lo cuide y le dé el mantenimiento adecuado.

FREGADERO

Hacer	No Hacer
<ul style="list-style-type: none">- Después de cada uso lave el fregadero con el agua del grifo para diluir y quitar cualquier depósito.- Cuando pueda, seque el fregadero con una toalla para evitar que se formen marcas de agua. En caso de que se formen, límpielas con una solución de vinagre y agua, y luego enjuague minuciosamente.- Utilice jabón líquido, limpiador doméstico multiusos o una solución de vinagre y agua para la limpieza regular.- Use únicamente esponjas plásticas recomendadas para uso en fregaderos de acero inoxidable, y solo úselas en la cubeta del fregadero. Restriegue en el sentido de las líneas de lavabado.	<ul style="list-style-type: none">- Evite que se seque o deposite cualquier residuo de comida, detergente, jabón, grasa o condimentos por un periodo prolongado en la superficie del fregadero.- Nunca utilice productos abrasivos, ya que opacarán y rayarán el acabado.- Nunca utilice esponjas de lana de acero, ya que dejarán partículas de acero en el fregadero y lo corroerán.- Nunca deje cacerolas de acero o hierro fundido en el fregadero por periodos prolongados, ya que esto puede provocar corrosión.- No utilice limpiadores a base de cloro en su lavabo nuevo, ya que podrían provocar manchas de óxido o decoloración. Si debe utilizarlos, enjuague bien el lavabo con agua inmediatamente después de su uso. Si alguno de los químicos o pegamento entra en contacto con el lavabo durante su instalación, limpie y enjuáguelo bien con agua.- Si algún químico o pegamento entra en contacto con el fregadero durante la instalación, limpie y enjuáguelo bien con agua fresca.

ELIMINAR LOS RAYONES, LAS MANCHAS Y LAS MARCAS, Y RENOVAR LA SUPERFICIE :

Las pequeñas marcas y manchas de óxido que con frecuencia aparecen en el lavabo son resultado, por lo general, de la interacción entre el acero y los productos químicos que se encuentran en la gran variedad de sustancias a las que los lavabos están expuestos comúnmente. También es posible que esas sustancias se transfieran al lavabo desde otros objetos colocados o dejados en él. Los rayones son ocasionados por el uso y el desgaste normales.

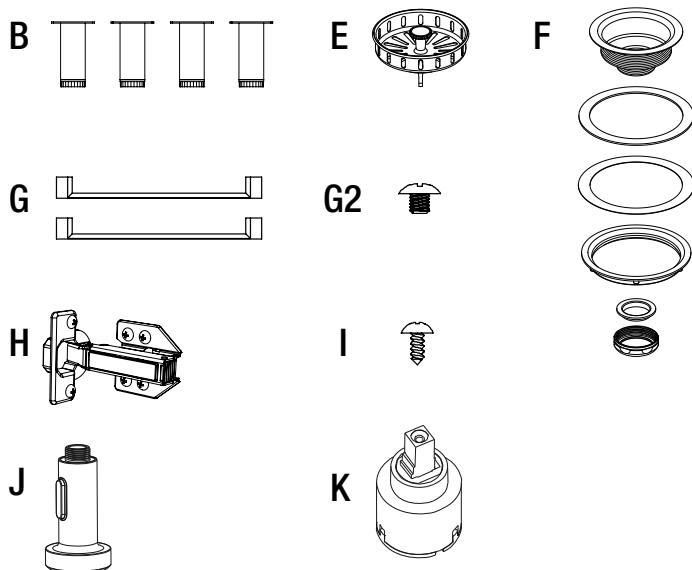
Para eliminar los rayones, las manchas y las marcas del lavabo, tállelos con una fibra no metálica (p. ej., Scotch-Brite®) junto con un limpiador ligeramente abrasivo (p. ej., Vim® o Barkeeper's Friend®). Siempre talle las superficies en la dirección de la veta del acero. Al terminar, enjuague el lavabo con agua y séquelo con una toalla, para permitir que se forme en él una capa protectora exterior. El mismo procedimiento puede usarse para renovar todas las superficies del lavabo.

ARMARIO

Hacer	No Hacer
<ul style="list-style-type: none">- Elimine el plvo y la suciedad con un paño suave y húmedo.- Limpie la grasa, aceite, pintura y manchas de tinta con isopropílico (alcohol para fricciones). Lavar inmediatamente con agua después de la eliminación de las manchas.	<ul style="list-style-type: none">- No permita que la superficie del mueble entre en contacto con productos como la acetona (quitaesmalte), el esmalte de uñas, la solución de limpieza en seco, los disolventes de lacas, la gasolina, el aceite de pino, etc.- Evite el uso de navajas de afeitar y otros instrumentos que puedan caer y rayar la superficie.

Piezas de repuesto

Si le faltan piezas o requiere refacciones, escríbale a nuestro equipo de servicio al cliente a cs@conglomkb.com o llame al 1-877-333-0098 (de lunes a viernes, de 8:30 a. m. a 5:00 p. m. EST). Identifique la(s) pieza(s) requerida(s) y tenga lista su descripción.



Pieza	Descripción	Código	Cantidad
B	Postes de las patas	QHL221B	4
E	Colador	QHL177	1
F	Conjunto de colador	QHL176	1
G	Manija	QHL226	2
G2	Tornillos de las manijas	QHL227	4
H	Bisagra de puerta	QHL228B	4
I	Tornillos	QHL230	32
J	Cabezal de aspersión	QHL223	1
K	Cartucho	QHL216	1

Imported by / Importé par / Importado por :

Conglom

St-Laurent, Québec, H4S 2C3

1-877-333-0098 | cs@conglomkb.com

(service available in English and French, Monday - Friday from 8:30 am - 5 pm EST)

(service disponible en anglais et français, du lundi au vendredi, 8h30 à 17h, H.N.E.)

(servicio disponible en inglés y francés, de lunes a viernes, de 8:30 am a 5:00 pm, hora del Este)

www.conglomkb.com

