

INSTALLATION | DECK FOOT ANCHOR™

WARNING

THIS PRODUCT MAY NOT WORK IN YOUR SOIL. ROCKS, ROOTS OR A WEAK IMPACT WRENCH MAY PREVENT THE AUGER FROM DRIVING FULLY INTO THE SOIL. CONTINUOUS TORQUE, ONCE STOPPED BY AN OBSTRUCTION, CAN DESTROY THE AUGER. IMPROPERLY SIZED SOCKETS CAN STRIP THE DRIVER HEAD. DESIGNED FOR COMPRESSION LOAD APPLICATIONS ONLY.

1 Remove Sod and any organic material. Add 2" – 3" of 1/2" Crushed Stone or Stone Dust Base

DECK FOOT ANCHOR™

TIDKP

1/4 x 3" lag screws sold separately.

TIDP442 -or- TIDP662

TIGA600 -or- TIGA900

TOOLS NEEDED:

- ✓ 350 FT.-LBS. ELECTRIC CORDED 1/2" IMPACT WRENCH
- ✓ 12 MM AND 24 MM, 6 POINT DEEP IMPACT SOCKET
- ⚠ 12 POINT SOCKET
- ✓ 1/2"

2

NUT

LOAD PLATE

AUGER

Assemble parts.

3

Drive Anchor down.

4

STOP when plate contacts ground and the nut contacts top of plate.

DIYers!

HAND AUGER TOOL

Helpful when working in confined spaces or if your impact wrench cannot generate enough torque.

AT2035

Sold separately. Wood and fasteners not included.

5

Use 24 mm socket and compress plate against top of washer.

6

Install bracket, washer and nut.

Make side-to-side fine adjustments before fastening.

7

Install screw at bottom of each hole. Stop as soon as screw contacts bracket.

HOUSE

BEAM SPAN

JOIST SPAN

6'-0" max.

WE RECOMMEND ADDING ONE MORE FOOTING TO INNER BEAMS.

24"

ASSUMES 1800 PSF SOIL

FOOTING LAYOUT GUIDE

For 1500 psf soil, 5'-6" center to center max. spacing

Maximum Joist cantilever 24"

Maximum Beam cantilever 24"

Joists on beam

Hanging Joists

As low as 2" above grade

Post / Beam / Joist Bracing

6'-0" max recommended

* Check local codes for height restrictions for free standing structures.

Optional Deck Frame Bracing

IMPORTANT NOTE

CHECK YOUR LOCAL BUILDING DEPARTMENT FOR HEIGHT REQUIREMENTS REGARDING FREE STANDING STRUCTURES.

DECK FOOT ANCHOR™ / TIDP442 / TIDP662 / TIDKP / TIGA600 / TIGA900

PATENT NO

US 9,309,688

ATTENTION: Before beginning work, consult with local building officials or engage professionals to ensure that this product is appropriate for your intended use or help clarify if these warnings are unclear or if you do not understand any of the information in this installation guide. Always comply with applicable building codes and be advised that building codes may vary.

QUESTIONS? CONTACT US AT 1-866-577-8868 IN NO EVENT SHALL TITAN BUILDING PRODUCTS BE LIABLE FOR ANY LOSS OR DAMAGE, DIRECT OR OTHERWISE, WHICH RESULTS FROM THE IMPROPER INSTALLATION OR USE OF THIS PRODUCT. IF FOR ANY REASON TITAN BUILDING PRODUCTS BECOMES LIABLE FOR LOSS OR DAMAGE, DIRECT OR OTHERWISE, THE AGGREGATE LIABILITY OF TITAN BUILDING PRODUCTS SHALL BE LIMITED TO THE RETAIL PURCHASE PRICE OF THE PRODUCTS.

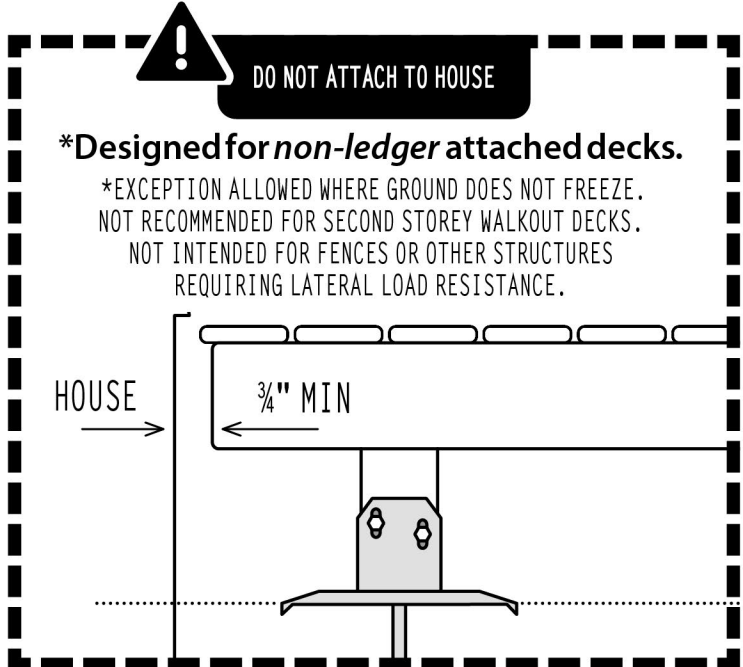
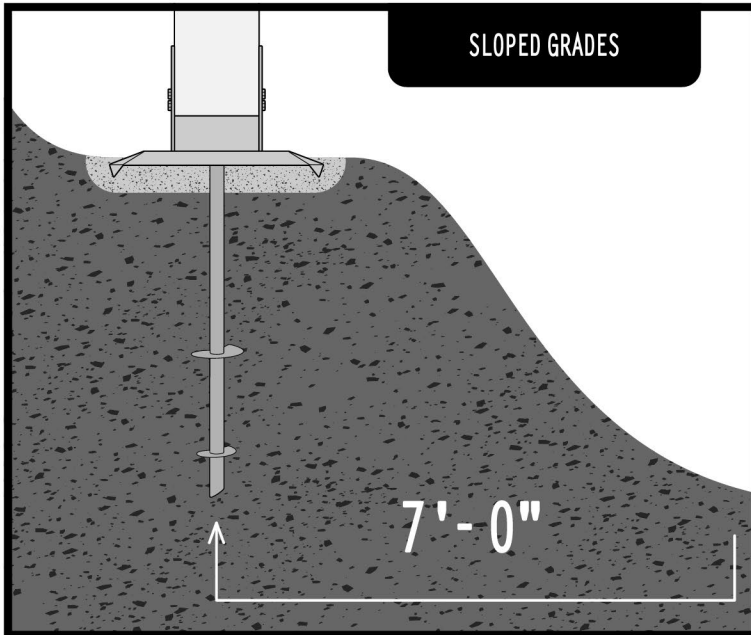
T 1-866-577-8868

TITAN BUILDING PRODUCTS
THE ART OF BUILDING
More beautiful decks... Real easy.



www.titanbp.com

INSTALLATION | DECK FOOT ANCHOR™



Introducing Terra-Shift™

“A SHOCK ABSORBER SYSTEM FOR YOUR DECK”

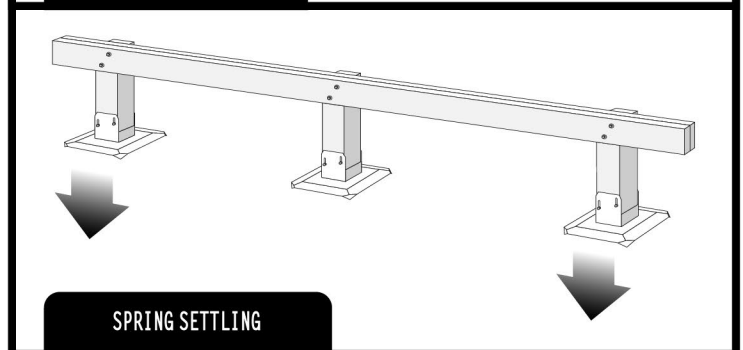
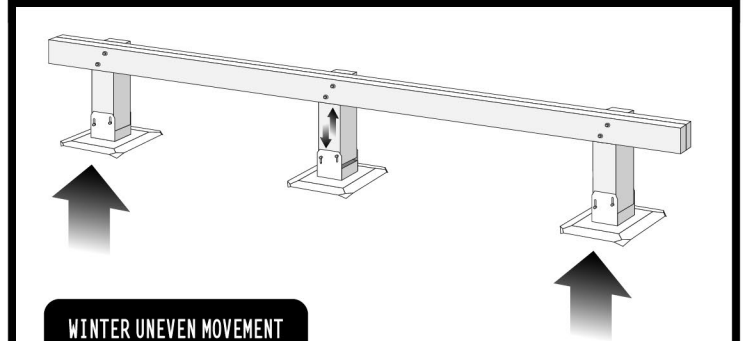
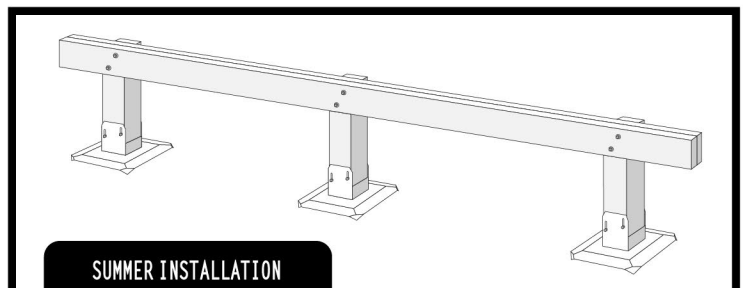
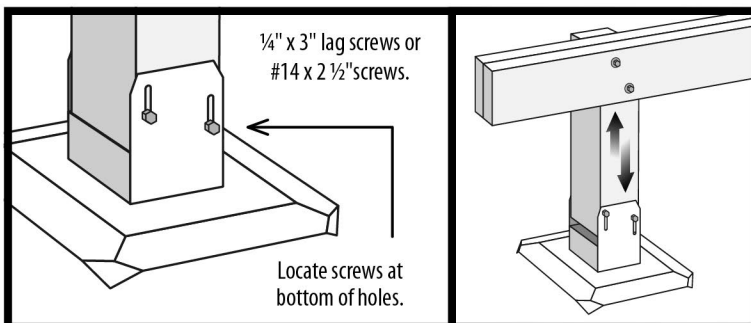
The Titan Deck Foot Anchor™ uses our patented Terra-Shift™ post bracket system to help keep soil around the anchor undisturbed and prevent damage to all post and beam and other structural connections.



Here is how it works:

The fastener slide holes reduce friction between the

post and bracket just enough so that if the soil shifts or expands unevenly along a series of footings under a beam, the post is free to slide vertically and then settle back to normal. It's like a shock absorbing system for your deck.



DECK FOOT ANCHOR™ / TIDP442 / TIDP662 / TIDKP / TIGA600 / TIGA900

PATENT NO	US 9,309,688
-----------	--------------

ATTENTION: Before beginning work, consult with local building officials or engage professionals to ensure that this product is appropriate for your intended use or help clarify if these warnings are unclear or if you do not understand any of the information in this installation guide. Always comply with applicable building codes and be advised that building codes may vary.

QUESTIONS? CONTACT US AT 1-866-577-8868 IN NO EVENT SHALL TITAN BUILDING PRODUCTS BE LIABLE FOR ANY LOSS OR DAMAGE, DIRECT OR OTHERWISE, WHICH RESULTS FROM THE IMPROPER INSTALLATION OR USE OF THIS PRODUCT. IF FOR ANY REASON TITAN BUILDING PRODUCTS BECOMES LIABLE FOR LOSS OR DAMAGE, DIRECT OR OTHERWISE, THE AGGREGATE LIABILITY OF TITAN BUILDING PRODUCTS SHALL BE LIMITED TO THE RETAIL PURCHASE PRICE OF THE PRODUCTS.

T 1-866-577-8868

TITAN BUILDING PRODUCTS
THE ART OF BUILDING
More beautiful decks...Real easy.



www.titanbp.com