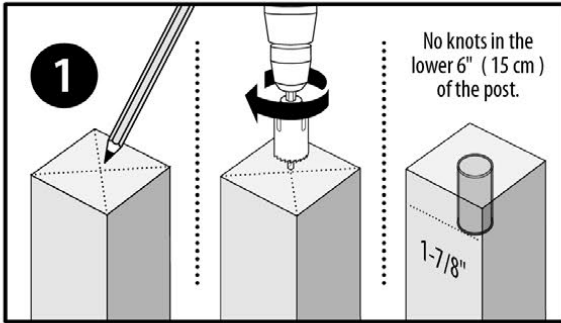


8x8 | Softwood | WOOD POST ANCHOR | INSTALLATION

IMPORTANT NOTE



USE ONLY STAINLESS STEEL SCREWS WITH ALUMINUM DECKING. SOLD SEPARATELY.

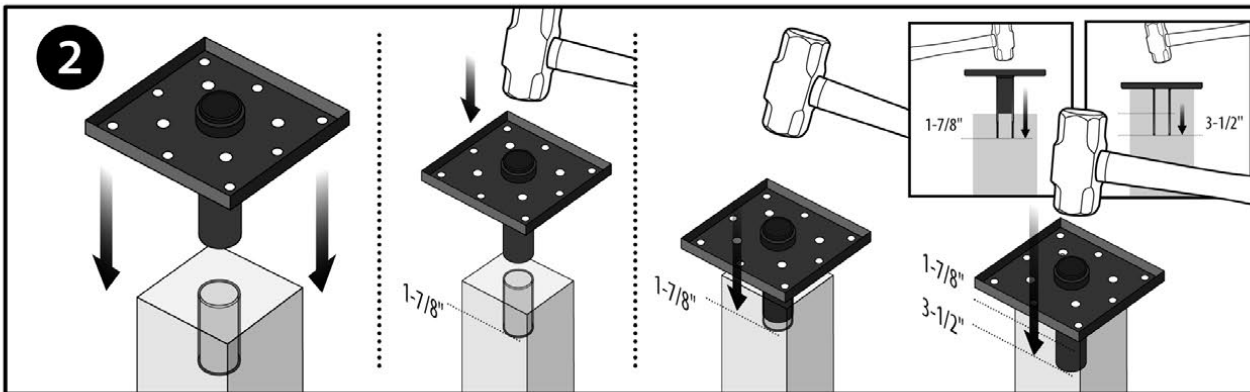
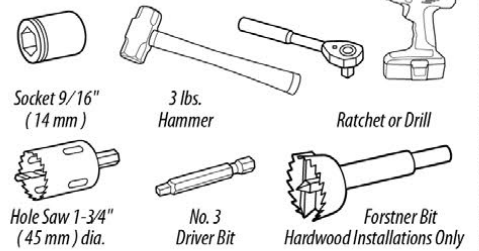


No knots in the lower 6" (15 cm) of the post.

TITAN WOOD POST ANCHOR™ KIT

- (1) Post Anchor
 - (8) *Wood Screw #14 No. 3 Square Drive
 - (4) Lag Screw 1/2"
- ACQ**
- *Concrete screws sold separately.

RECOMMENDED TOOLS

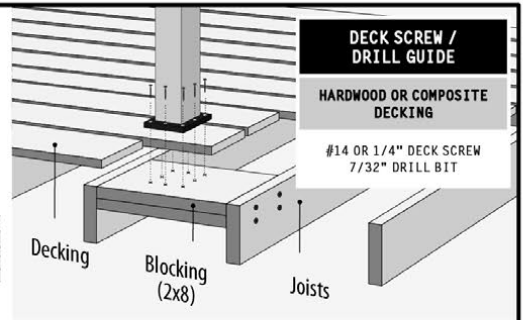


FOR VERY DRY WOOD, WET ENDS OF POST WITH WATER BEFORE USE TO PREVENT CRACKING.

DRILL

LAG SCREW / DRILL BIT GUIDE

SOFTWOOD POST	
3/8" LAG SCREW	5/16" DRILL BIT
1/2" LAG SCREW	7/16" DRILL BIT
HARDWOOD POST	
3/8" LAG SCREW	11/32" DRILL BIT
1/2" LAG SCREW	15/32" DRILL BIT



THE INTERNATIONAL RESIDENTIAL CODE (IRC - USA) AND THE NATIONAL BUILDING CODE OF CANADA (NBC - CANADA)

INSTALLING RESIDENTIAL GUARDS:

This product has been independently tested according to established AC 273 procedures set out in the IRC for the USA and NBC for Canada. It can be used as a code compliant post anchoring component in one and two family residential guard rail applications when installed according to these directions and conditions of use.

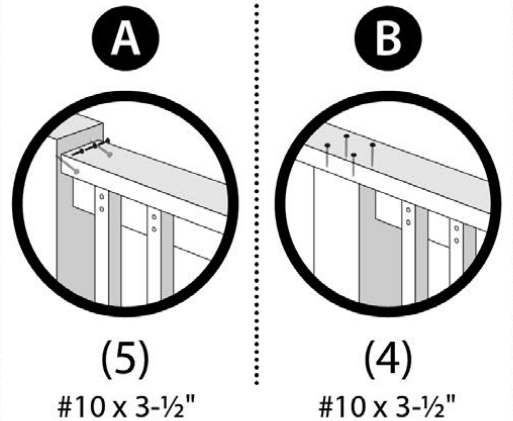
MATERIALS:

Use SPF lumber for posts and double blocking between joists below each post. Attach top rail to posts in POST TO RAIL DETAIL - A or B.

QUESTIONS? CONTACT US AT 1-866-577-8868

In no event shall Titan Building Products be liable for any loss or damage, direct or otherwise, which results from the improper installation or use of this product. If for any reason Titan Building Products becomes liable for loss or damage, direct or otherwise, the aggregate liability of Titan Building Products shall be limited to the retail purchase price of the products.

POST TO RAIL DETAIL



T 1-866-577-8868

TITAN BUILDING PRODUCTS
THE ART OF BUILDING
More beautiful decks... Real easy.



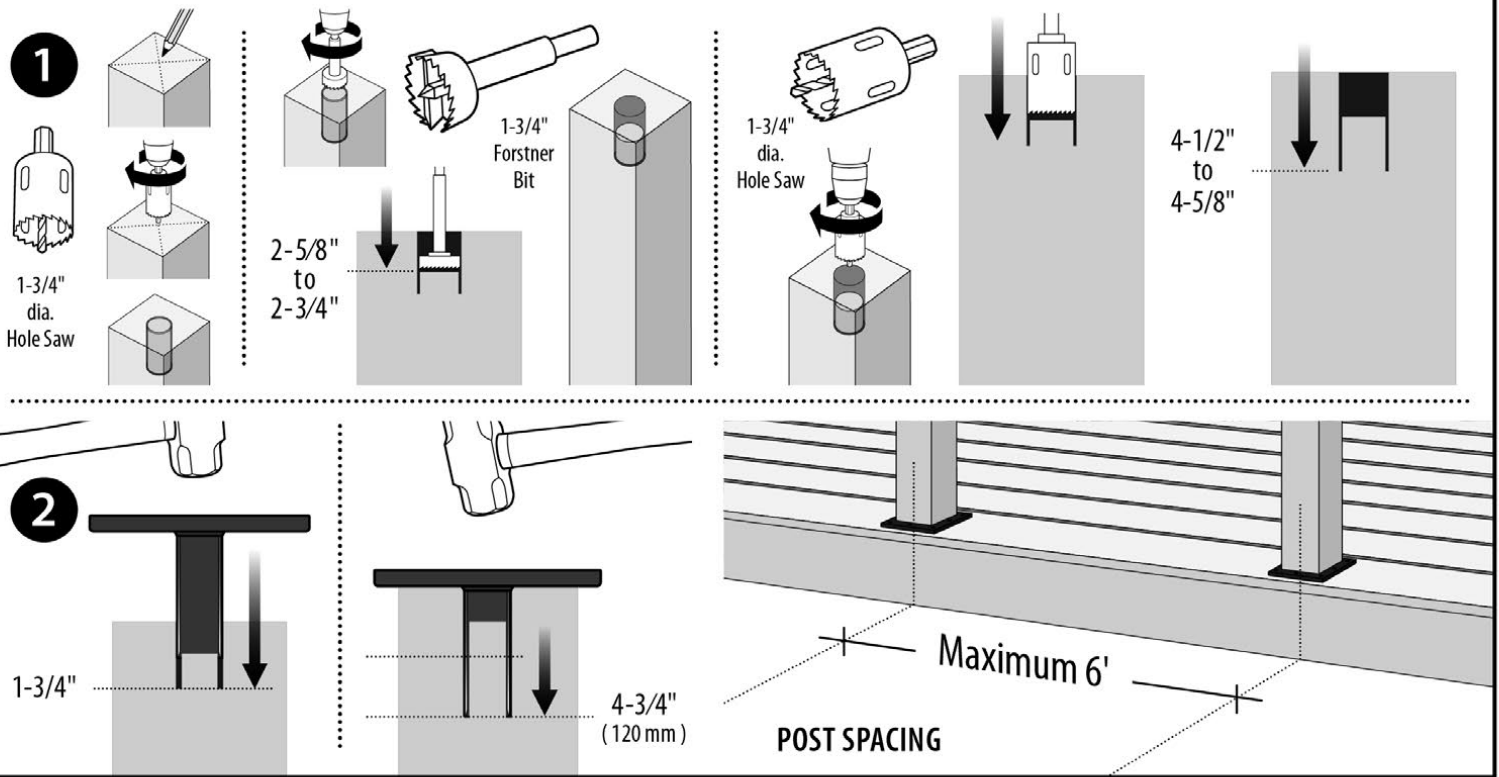
www.titanbp.com

8x8 | Hardwood | WOOD POST ANCHOR | INSTALLATION

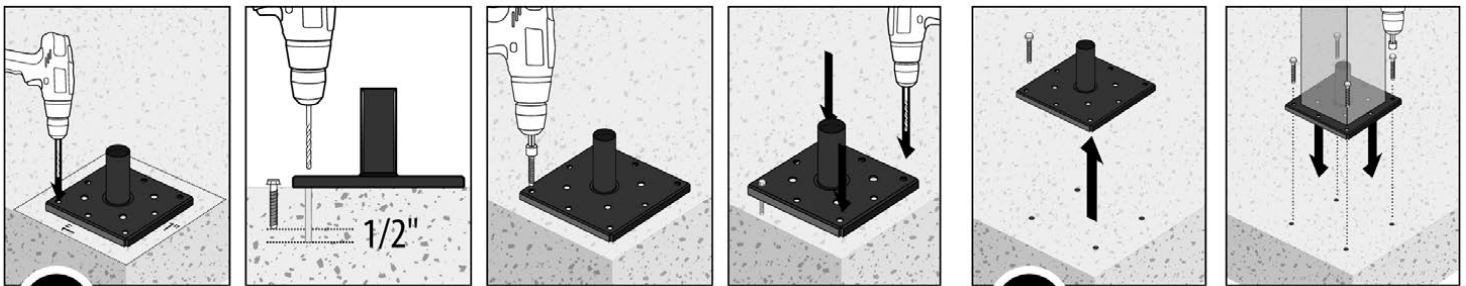
IMPORTANT NOTE



USE ONLY STAINLESS STEEL SCREWS WITH ALUMINUM DECKING. SOLD SEPARATELY.



8x8 | Concrete | WOOD POST ANCHOR | INSTALLATION



DRILL (1) CORNER HOLE & INSTALL (1) SCREW IN ANCHOR. DRILL (3) CORNER HOLES.
 *Concrete screws sold separately. 1/4" x 2-1/4" min. screw size.

REMOVE ANCHOR. INSTALL REMAINING SCREWS. (With Wood Post)

ATTENTION: BEFORE BEGINNING WORK, CONSULT WITH LOCAL BUILDING OFFICIALS OR ENGAGE PROFESSIONALS TO ENSURE THAT THIS PRODUCT IS APPROPRIATE FOR YOUR INTENDED USE OR HELP CLARIFY IF THESE WARNINGS ARE UNCLEAR OR IF YOU DO NOT UNDERSTAND ANY OF THE INFORMATION IN THIS INSTALLATION GUIDE. ALWAYS COMPLY WITH APPLICABLE BUILDING CODES AND BE ADVISED THAT BUILDING CODES MAY VARY.

T 1-866-577-8868

TITAN BUILDING PRODUCTS®
 THE ART OF BUILDING
 More beautiful decks...Real easy.



www.titanbp.com