



**Caxton® Oval**  
under-mount bathroom sink  
**K-2209**

**Features**

- Oval basin with unglazed underside.
- Overflow drain.
- No faucet holes; requires wall- or counter-mount faucet.

**Material**

- Vitreous china.

**Installation**

- Under-mount.

**Recommended Products/Accessories**

K-8998 P-Trap

**Included Components**

Additional Components:

1193643 Basin clamps



**ADA** **CSA B651**

**Codes/Standards**










ASME A112.19.2/CSA B45.1  
ADA  
ICC/ANSI A117.1  
CSA B651

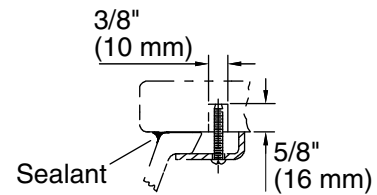
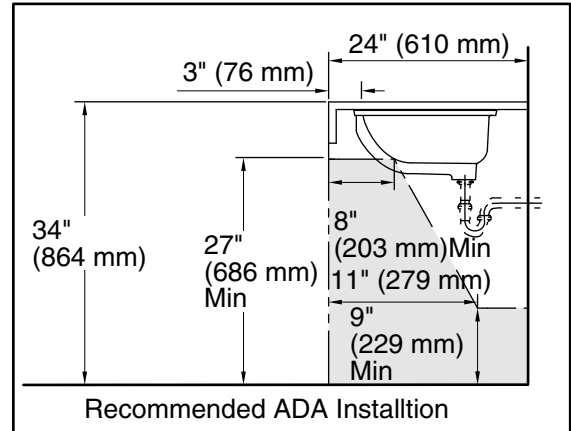
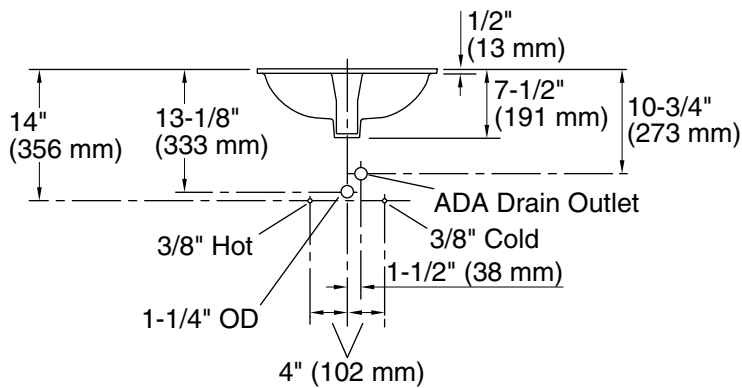
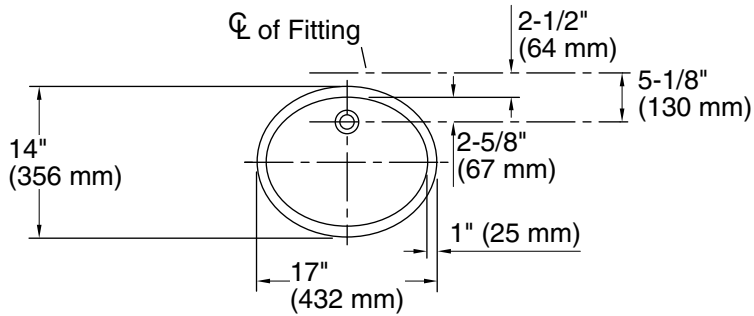
**KOHLER® One-Year Limited Warranty**

See website for detailed warranty information.

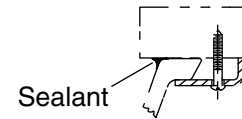
**Available Colors/Finishes**

*Color tiles intended for reference only.*

Color	Code	Description
	0	White
	96	Biscuit
	47	Almond
	NY	Dune
	95	Ice™ Grey
	G9	Sandbar
	K4	Cashmere
	58	Thunder™ Grey
	7	Black Black™



Marble Installation



Wood Installation

### Technical Information

All product dimensions are nominal.

Installation:	Under-mount
Bowl area:	Length: 15-1/4" (387 mm) Width: 12-1/4" (311 mm) Bowl depth: 5-3/4" (146 mm) Water depth: 4" (102 mm)
Drain hole:	1-3/4" (44 mm)
Template:	85838-7, required, not included

### Notes

Install this product according to the installation instructions.

NOTICE: Countertop manufacturer or cutter must use the current product template available at [www.kohler.com](http://www.kohler.com), or by calling 1-800-4KOHLER. Kohler Co. is not responsible for cutout errors when the incorrect cutout template is used.

ADA, CSA B651 compliant when installed to the specific requirements of these regulations.