

TM

RTS

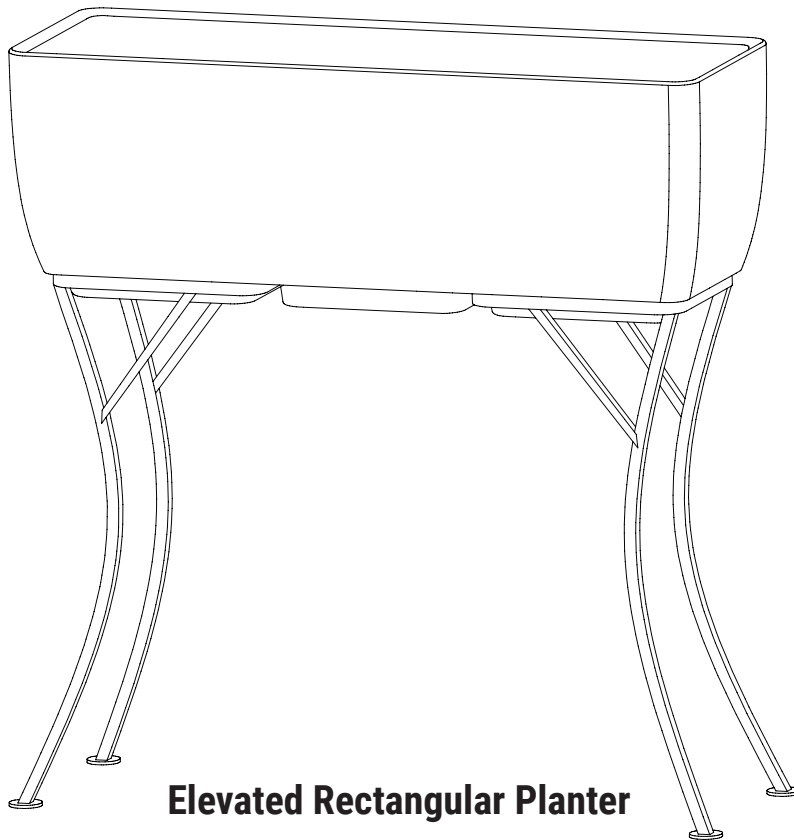
Home
ACCENTS

Elevated Rectangular Planter Assembly Instructions

Read all instructions before assembly. To watch the video version of these assembly instructions, visit www.rtshomeaccents.com

WARNING: RTS Home Accents is not responsible for performance of assembled product and will assume no liabilities.

**Questions? Missing Parts? Call us at 1-888-641-3077 (USA),
1-800-663-2803 (Canada) or email us at wecare@rtscompaniesinc.com**

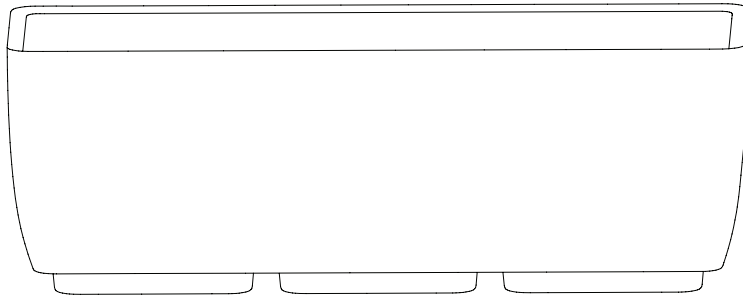


These assembly instructions are for both the 30" x 10" and 36" x 15" elevated rectangular planters.

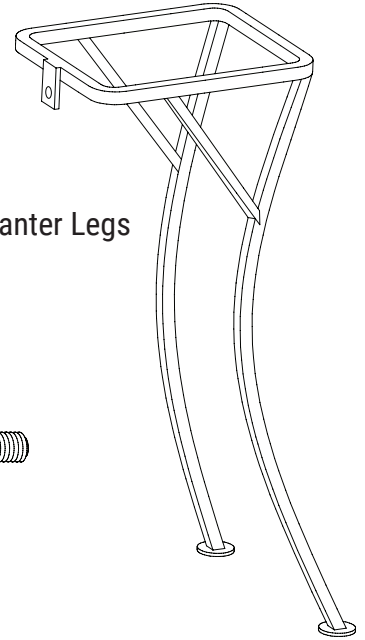
Warranty

RTS Home Accents warrants its products to be free from defects in materials and workmanship under normal use and service for the period of one year. The warranty period begins on the date of invoice. The warranty does not cover defects which are merely cosmetic but is limited to defects which result in structural failure, including structural failure due to material corrosion or deterioration. The warranty applies to the original purchaser of the product and is not assignable or transferable. The warranty does not cover damage due to vandalism, abuse, lack of maintenance, or improper installation. RTS standard terms and conditions apply. To begin a warranty claim, call us at 1-888-641-3077 (USA), 1-800-663-2803 (Canada) or email us at wecare@rtscompaniesinc.com.

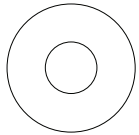
Included:



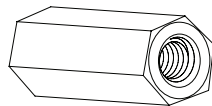
1x Planter



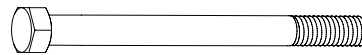
2x Planter Legs



2x Flat Washers

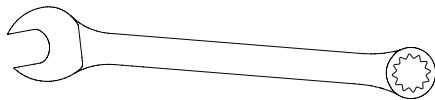


1x Coupling Nut



2x Hex Head Bolts

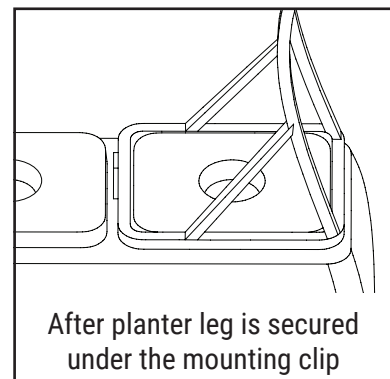
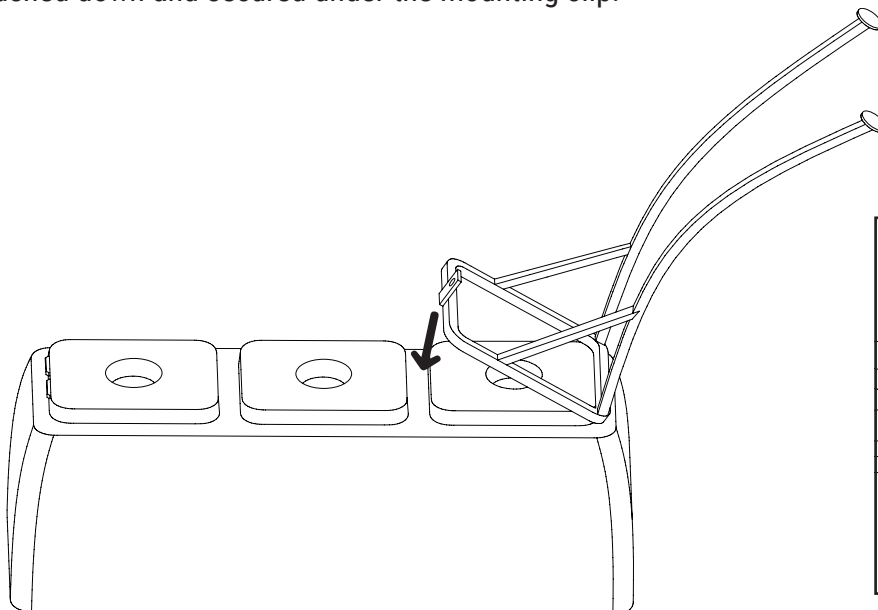
Required (Not Included):



2x 9/16" Wrenches

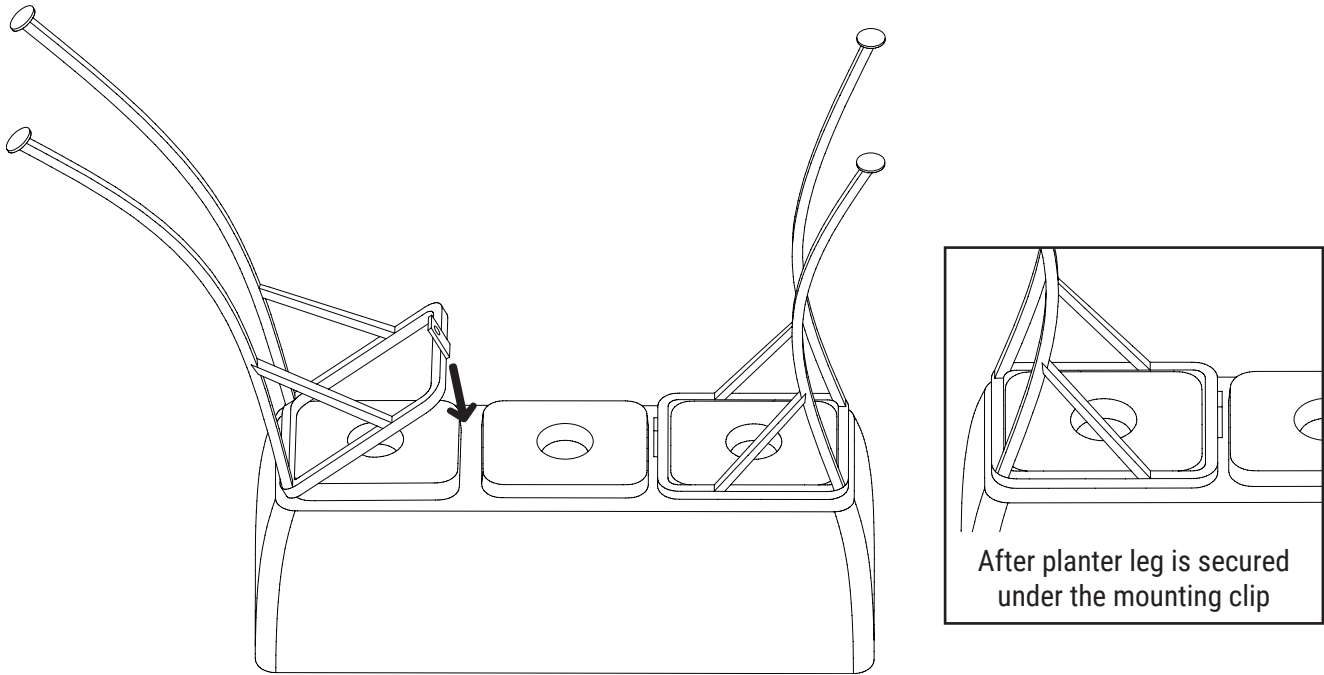
- 1 Turn the planter upside down. If you are using your planter outdoors, we recommend drilling drainage holes in the bottom. If you are using your elevated planter indoors, we recommend that you do not drill drainage holes.

Place one planter leg over the raised rectangle on the bottom of the planter. Make sure the leg is pushed down and secured under the mounting clip.

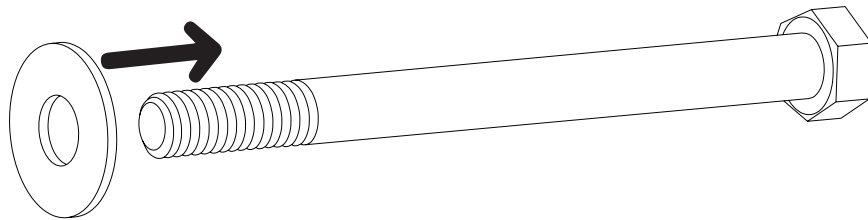


After planter leg is secured under the mounting clip

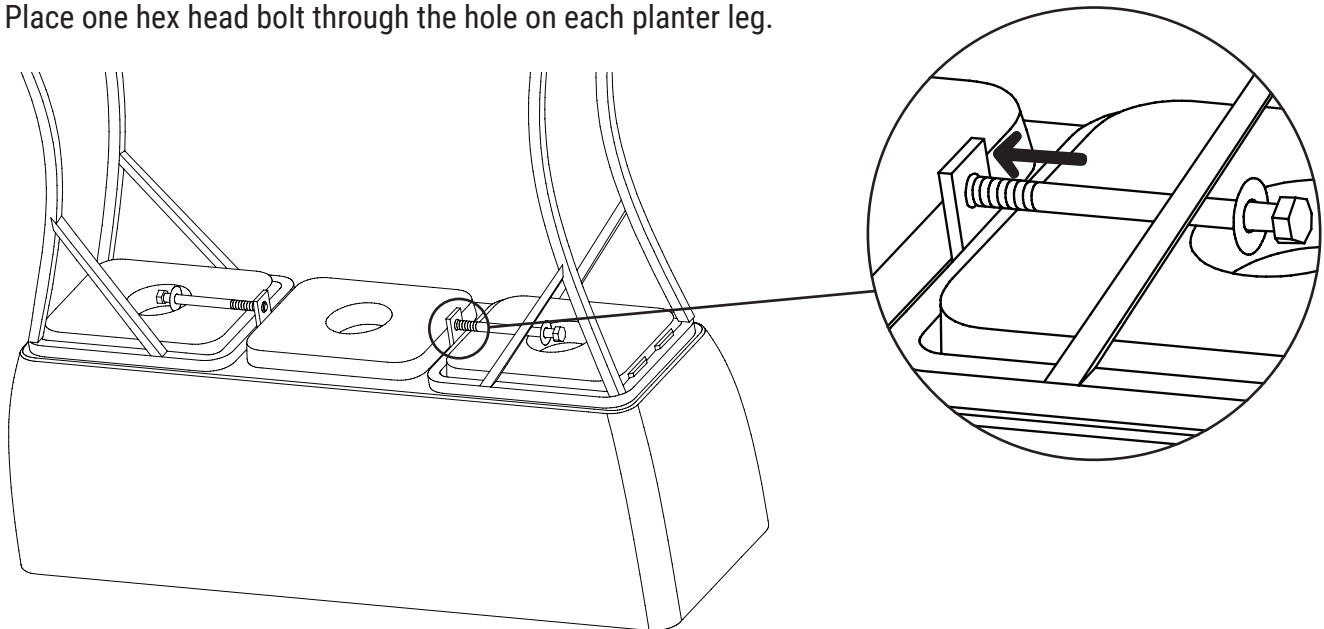
- 2** Place the second planter leg over the other raised rectangle on the bottom of the planter. Make sure the leg is pushed down and secured under the mounting clip.



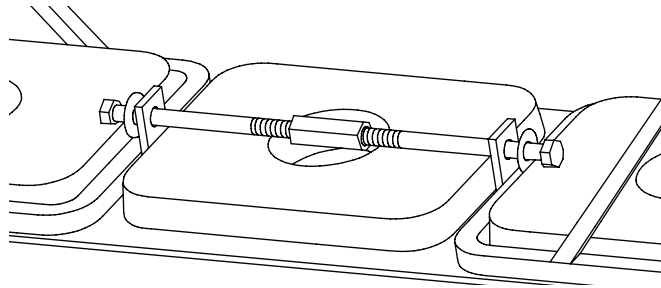
- 3** Place one flat washer on each hex head bolt.



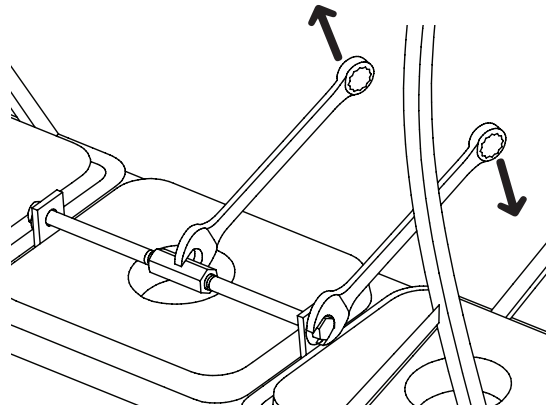
- 4** Place one hex head bolt through the hole on each planter leg.



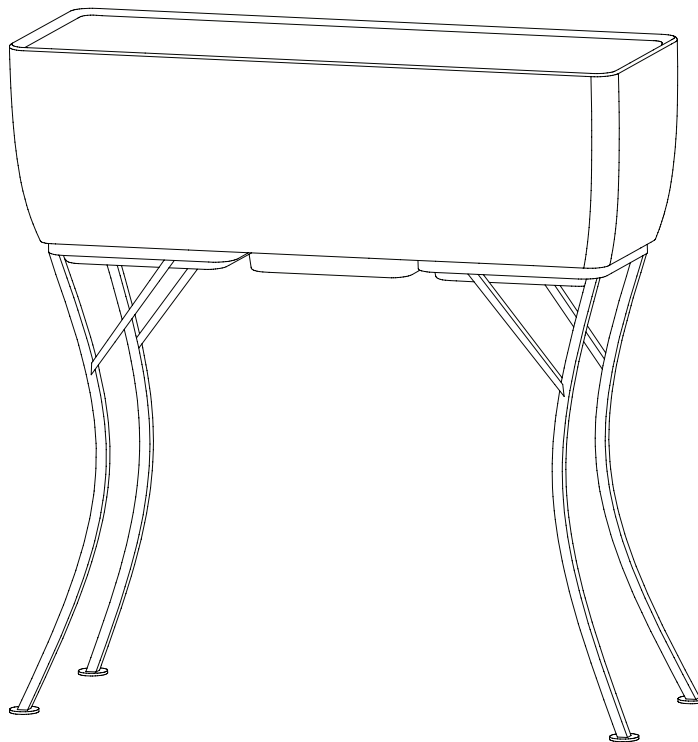
- 5** Hand tighten the coupling nut to each hex head bolt.



- 6** Using one wrench on the coupling nut and one wrench on the hex head bolt, tighten the bolt until secure. Move the wrench from the first hex head bolt to the other hex head bolt and tighten the bolt until secure. **Do not overtighten either bolt.**



- 7** Turn your new rectangular elevated planter into an upright position and it is now assembled. Place the elevated planter on a flat surface and enjoy!



**We hope you are happy with your purchase.
Please visit the website you purchased from today to leave a review!**

**View more products in the RTS Home Accents family at
www.rtshomeaccents.com**

Follow us on

