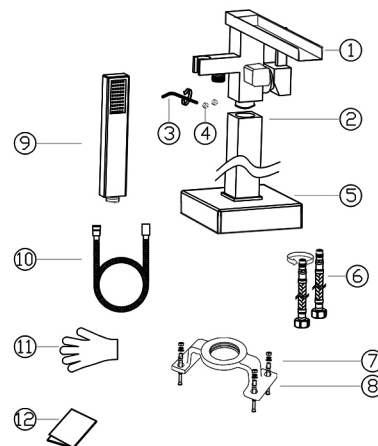
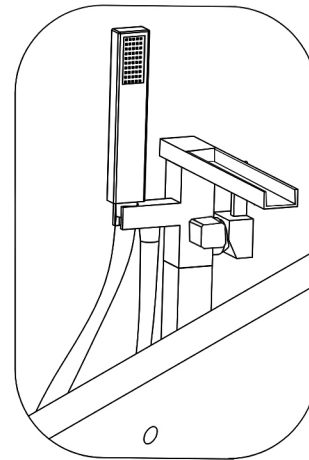


Installation Instructions

Essential accessories list

NO.	Part Name
1	Subject
2	Straight pipe
3	Allen key
4	Inner-hexagon screw
5	Decorative cover
6	Water supply hoses
7	The base
8	Explosion screws
9	Hand shower
10	Shower hose
11	Glove
12	Instruction



Presentation:

1.The switching handle:

Switch water to faucet spout or hand shower:
 turn left for faucet spout; Turn right for hand shower

2.Hot and cold water handle:

Pushing the handle to right turns the water on
 Turn the handle forward for hot water
 Turn the handle backward for cold water

Caution:

- 1.Before installation, all water lines must be flushed at least 60 seconds to remove any foreign material so that the foreign material will not block the areator or damage the cartridge
2. Use water and soft cloth to clean the faucet
- 3.Can use a mild liquid detergent for cleaning, do not use abrasive detergent that may scratch or dull the surface.

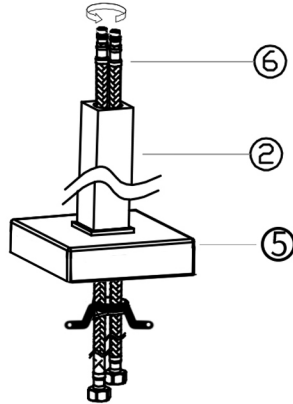
Have a question? DON'T RETURN, WE CAN HELP!
 Just send an email to service@boyelliving.com

Installation Support
 Missing Parts
 Damaged Product

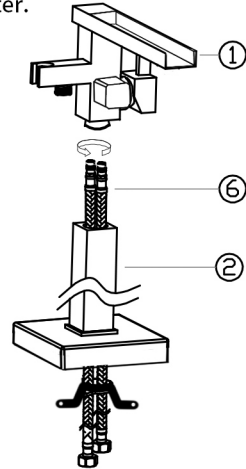
service@boyelliving.com



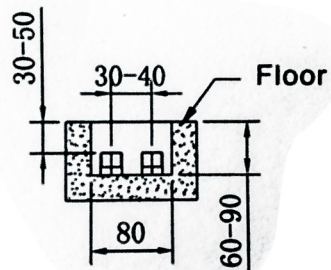
1. Put the straight pipe, decorative cover over the water supply hoses.



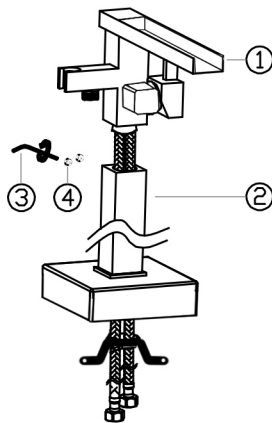
2. Screw and hand tighten the water supply hoses to the subject (DO NOT USE SPANNER TO TIGHTEN AS IT CAN DAMAGE THE O-RING). Make sure the water supply hoses were screwed into the correct inlets for hot water and cold water.



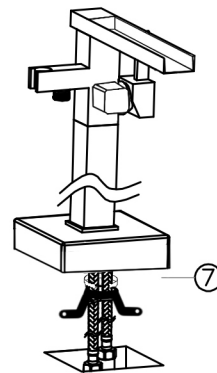
3. Prepare water supply pipes like the drawing below. (unit:mm)



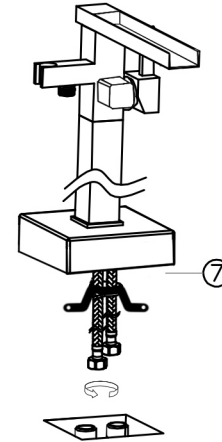
4. Using Allen key to screw inner-hexagonscrews to connect the subject and straight pipe.



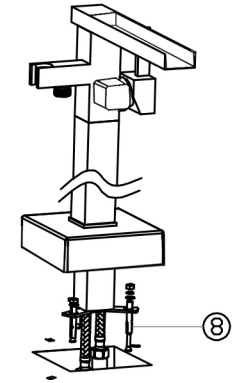
5. Screw the base to the straight pipe.



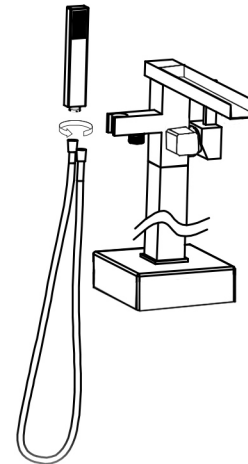
6. Connect another side of the water supply hoses to the water supply pipe. Make sure they were screwed into the correct outlets for hot water and cold water.



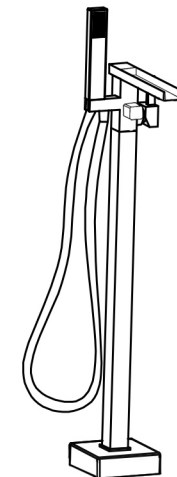
7. Drill holes and use the explosion screw to fix the base on the ground then put the decorative cover over the base.



8. Screw the shower hose to hand shower and tub filler; Place hand shower into holder.



9. Inspect for leaks at all joints.



Have a question? DON'T RETURN, WE CAN HELP!
 Just send an email to service@boyelliving.com

Installation Support
 Missing Parts
 Damaged Product

service@boyelliving.com

