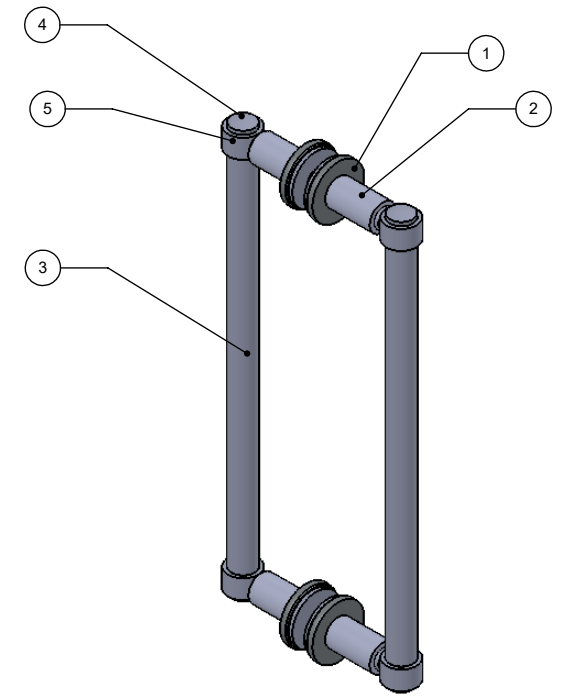
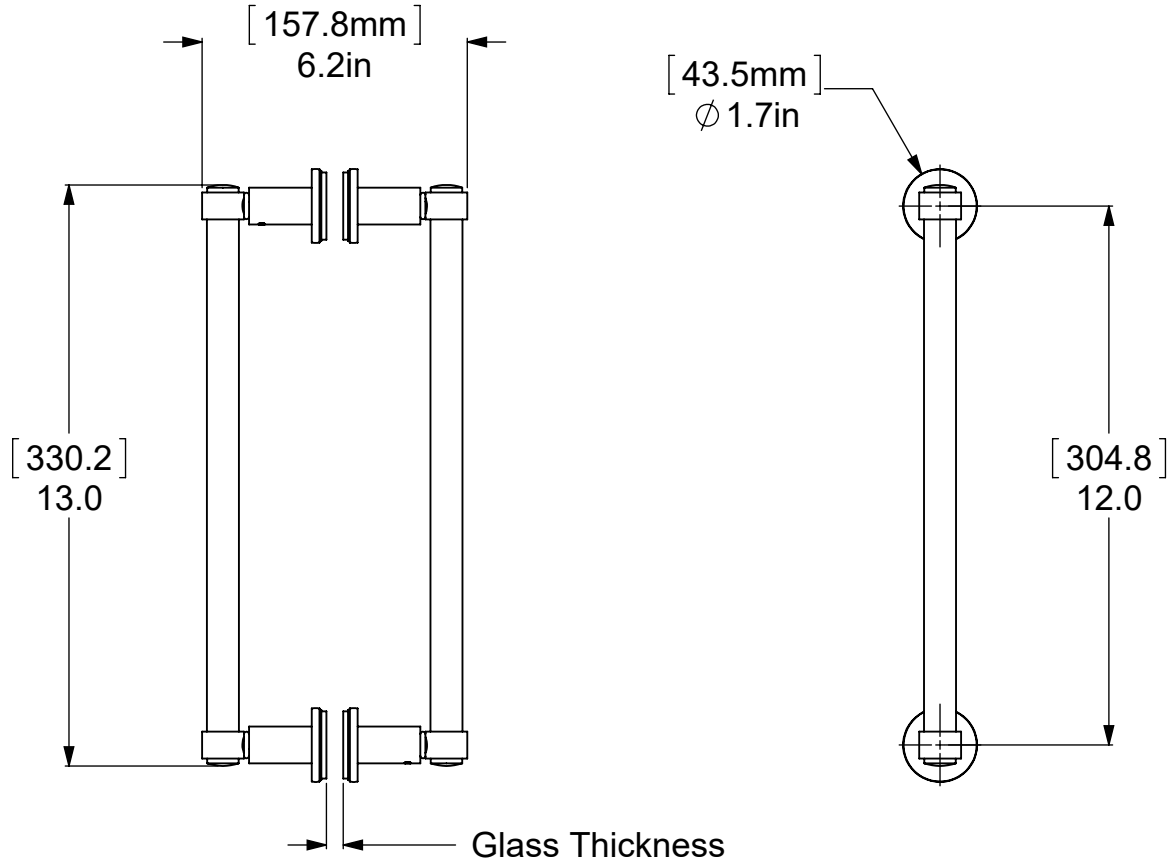


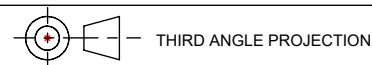
ITEM NO.	P/N	Description	QTY.
1	FRBP	BACKPLATE	2
2	FR-PST	POST	4
3	TU34-12	TUBE	2
4	CARD-34	CAP	4
5	HBT1T-1	HUB	4




APPROVED FOR PRODUCTION
 By: RICHARD PAUL
 Date: 7-8-19

UNLESS OTHERWISE STATED	
.X	± .3mm
.XX	± .15mm
.XXX	± .008mm

COPYRIGHT © Allied Brass 2019



DRAWN	7-8-19	I.M
CHECKED	7-8-19	P.D
APPROVED	7-8-19	R.A

MATERIAL:	BRASS
DESCRIPTION:	

FINISH	TBD
QUANTITY	TBD
DRAWING No.	REV
405-12BB	0
SCALE	SHEET: 01
1:3	A4