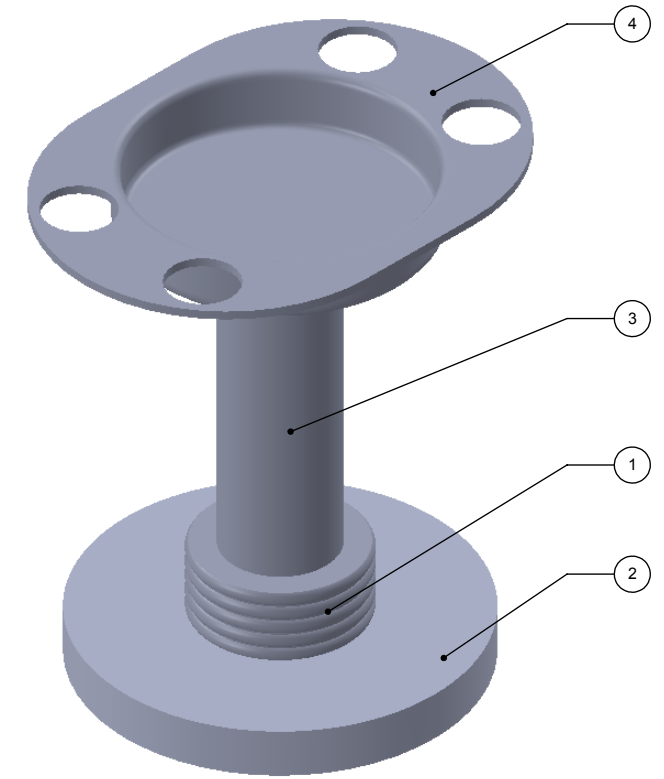
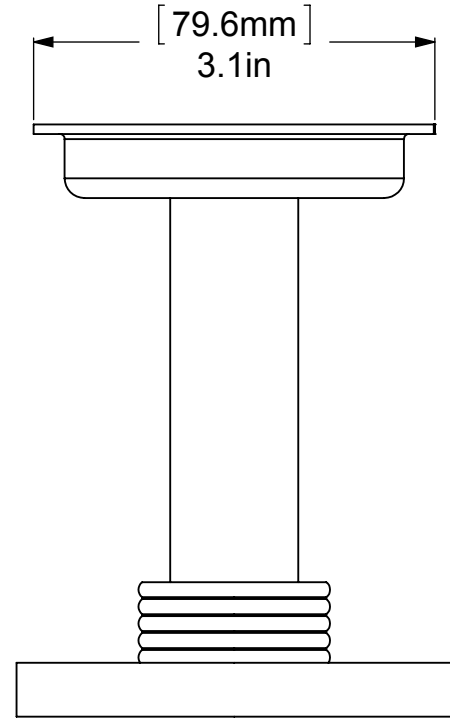
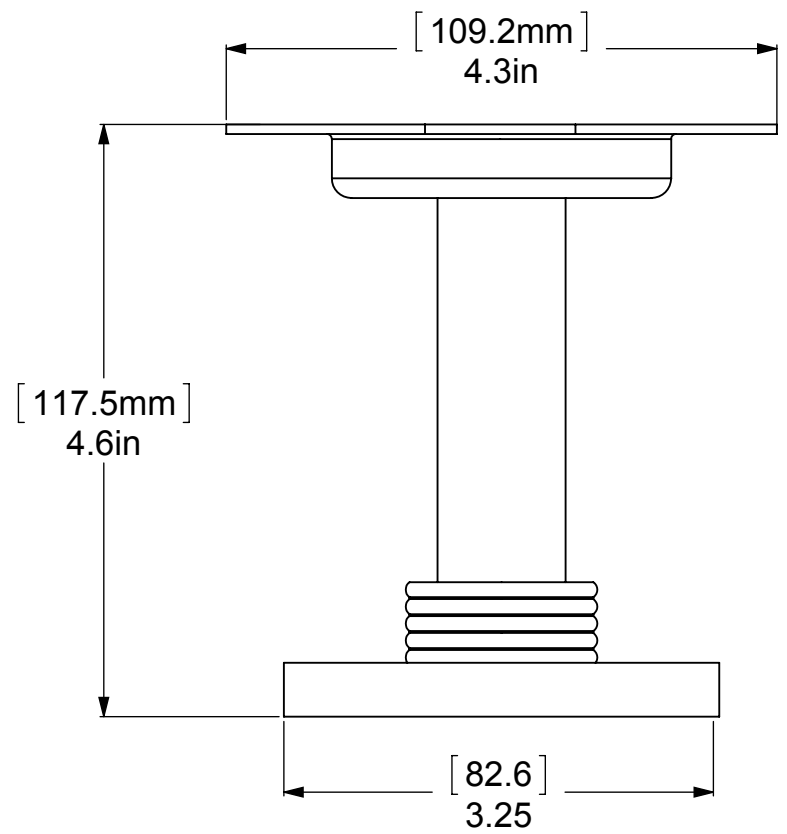


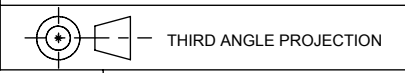
ITEM NO.	P/N	DESCRIPTION	QTY.
1	RGGV	HUB	1
2	BSRD-3.25	BASE	1
3	TU1-3	TUBE	1
4	HROVT	PLATE	1




UNLESS OTHERWISE STATED	
.X	±.3mm
.XX	±.15mm
.XXX	±.008mm

**APPROVED FOR PRODUCTION**  
 By: RICHARD PAUL  
 Date: 7-6-19

COPYRIGHT © Allied Brass 2019



DRAWN	7-6-19	I.M
CHECKED	7-6-19	P.D
APPROVED	7-6-19	R.A

MATERIAL:	BRASS		FINISH	TBD
DESCRIPTION:	<b>Tumbler and Toothbrush Holder</b> 		QUANTITY	TBD
			DRAWING No.	REV
			955G	0
SCALE	1:1.5	SHEET: 01	A4	