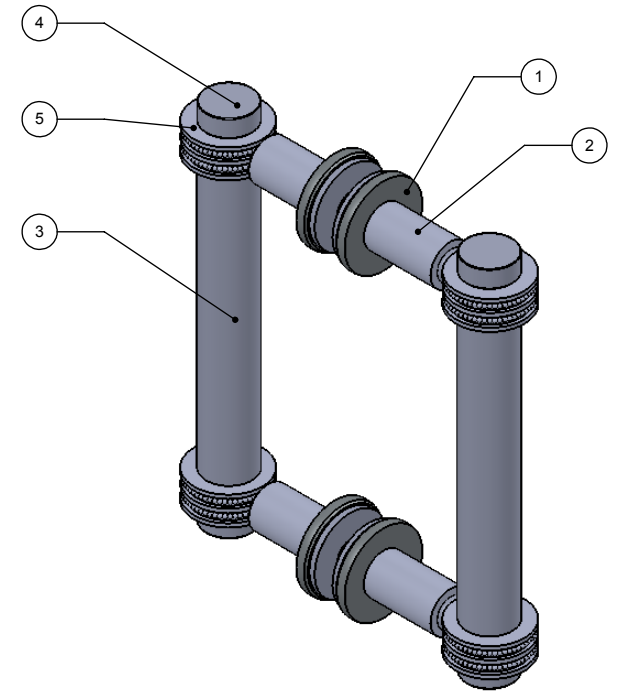
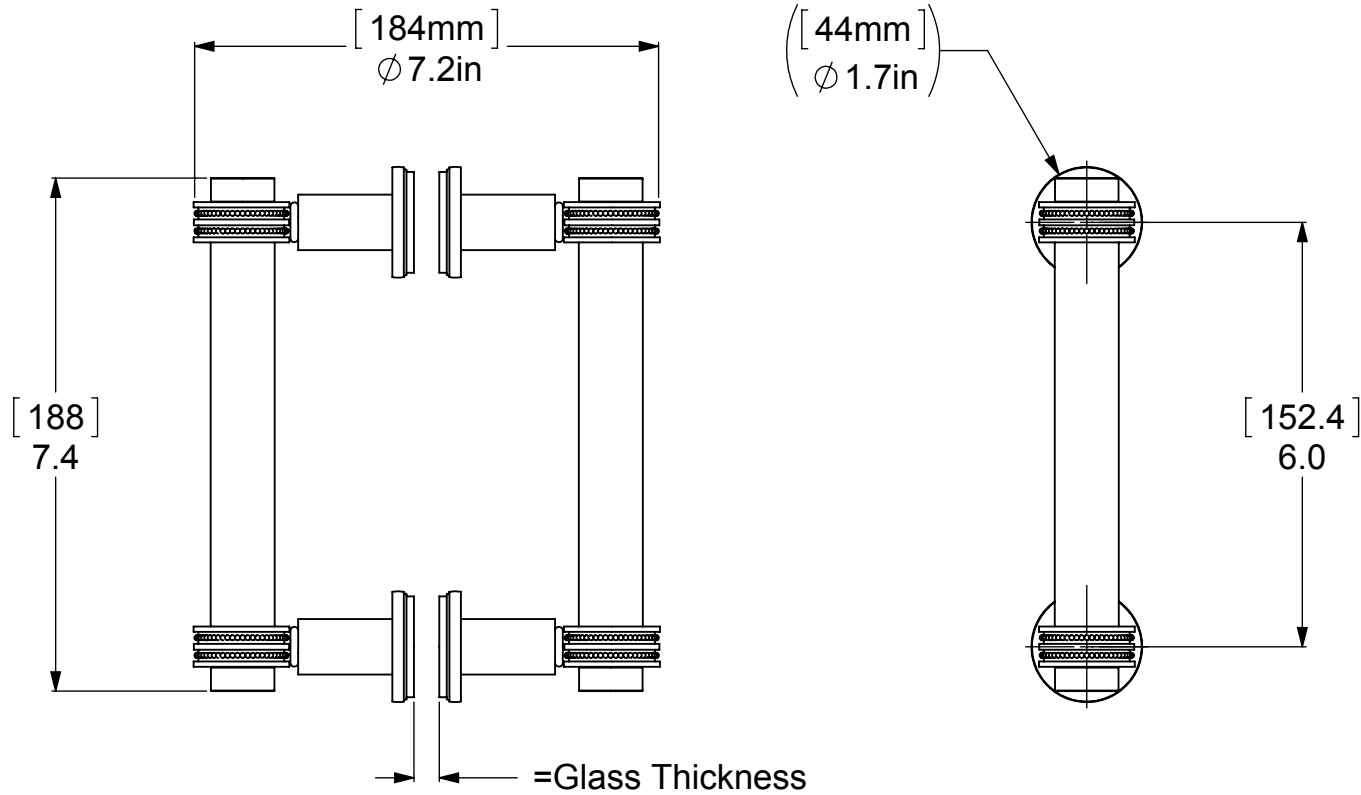


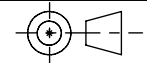
ITEM NO.	P/N	Description	QTY.
1	FRBP	BACKPLATE	2
2	FR-PST	POST	4
3	TU1-6	TUBE	2
4	CARD-1	CAP	4
5	RGDTT	HUB	4



UNLESS OTHERWISE STATED


.X	±.3mm
.XX	±.15mm
.XXX	±.008mm

COPYRIGHT © Allied Brass 2018



THIRD ANGLE PROJECTION

DRAWN	12-27-18	I.M
CHECKED	12-27-18	P.D
APPROVED	12-27-18	R.A

MATERIAL:	BRASS
DESCRIPTION:	
SHOWER DOOR PULL	

FINISH	TBD
QUANTITY	TBD
DRAWING No.	REV
404D-6BB	0
SCALE	SHEET: 01
1:3	A4