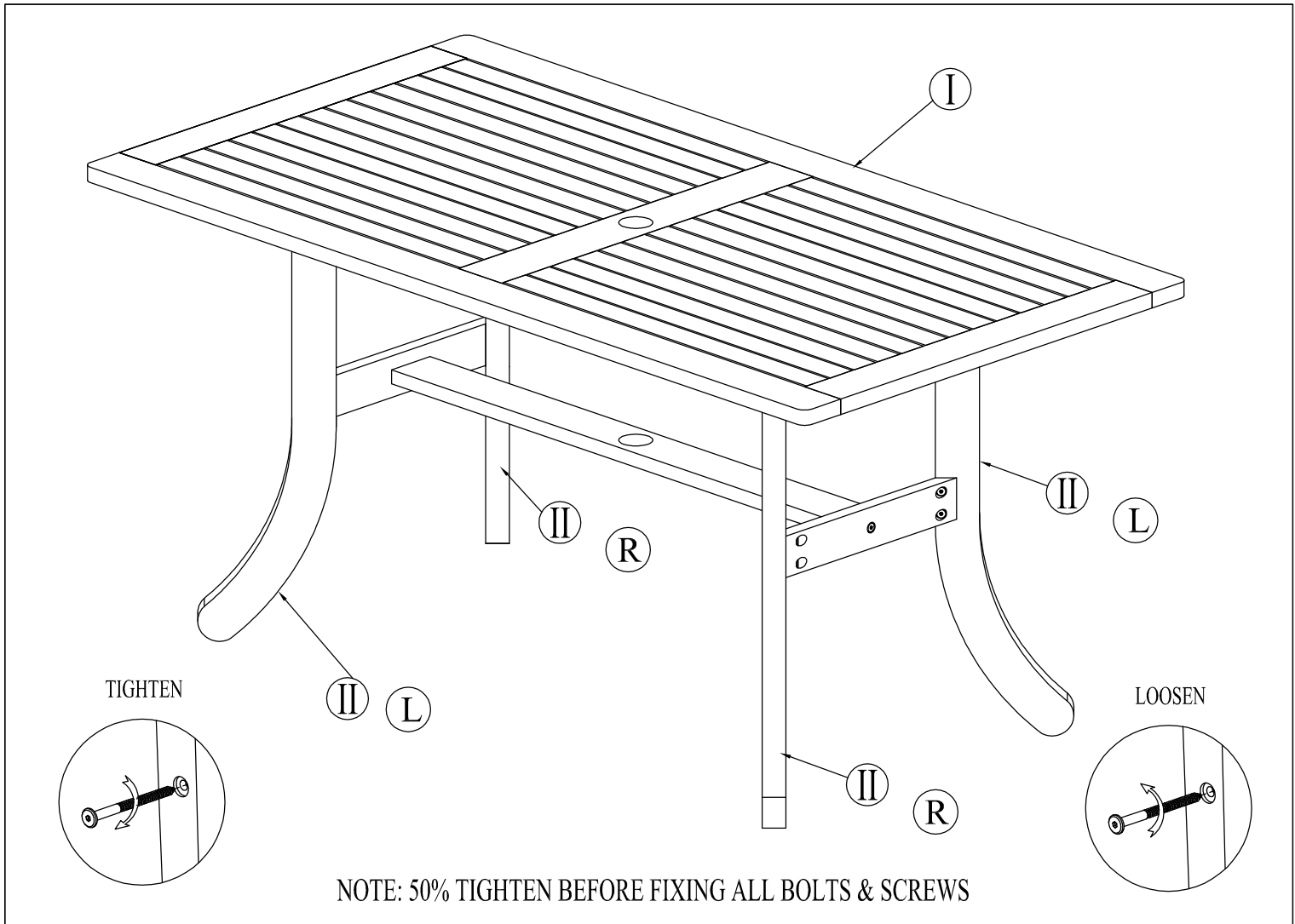


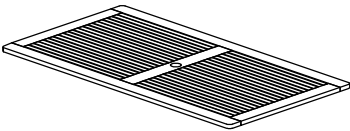
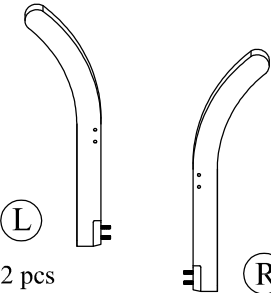
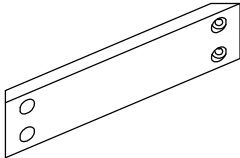
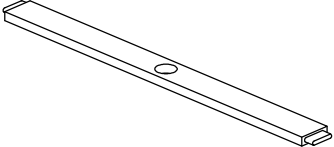
Weight capacity : 75 kgs/ 165 Lbs






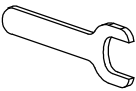




NOTE: 50% TIGHTEN BEFORE FIXING ALL BOLTS & SCREWS

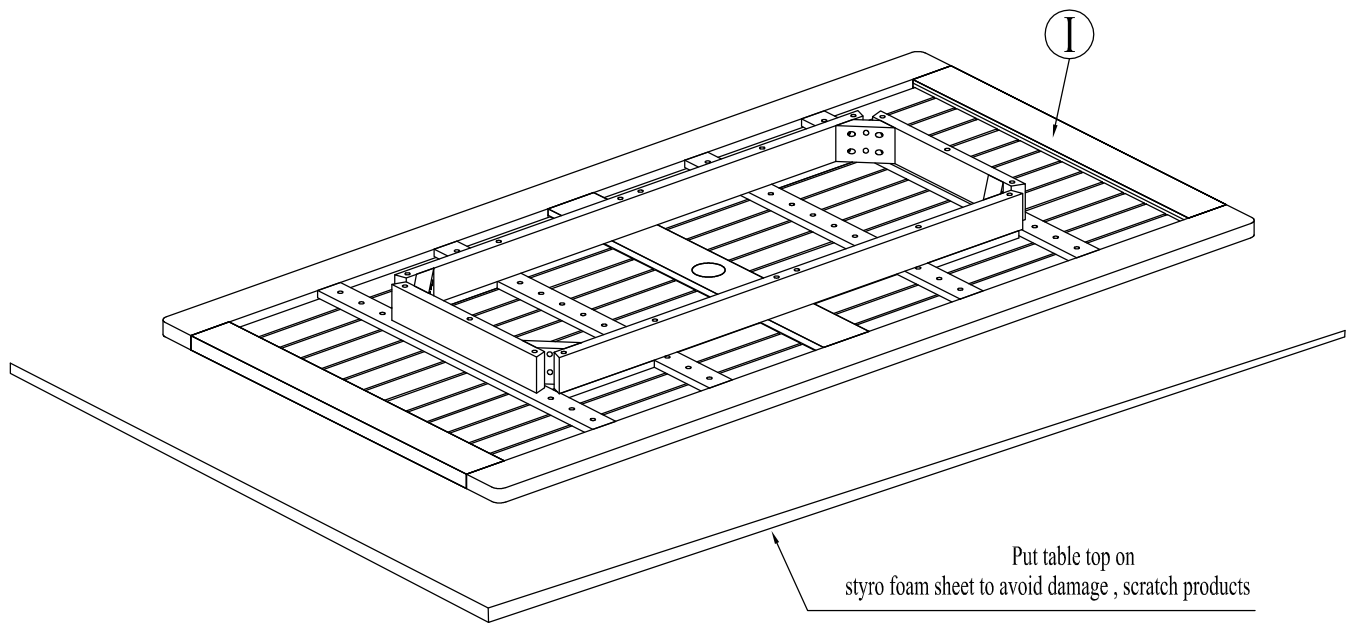
COMPONENTS LIST

<p>Ⓘ</p>  <p>Q'TY 1</p>	<p>Ⓜ</p>  <p>Ⓛ 2 pcs Ⓡ 2 pcs</p> <p>Q'TY 4</p>	<p>ⓂⓂ</p>  <p>Q'TY 2</p>	<p>ⓂⓂⓂ</p>  <p>Q'TY 1</p>
---	---	--	--

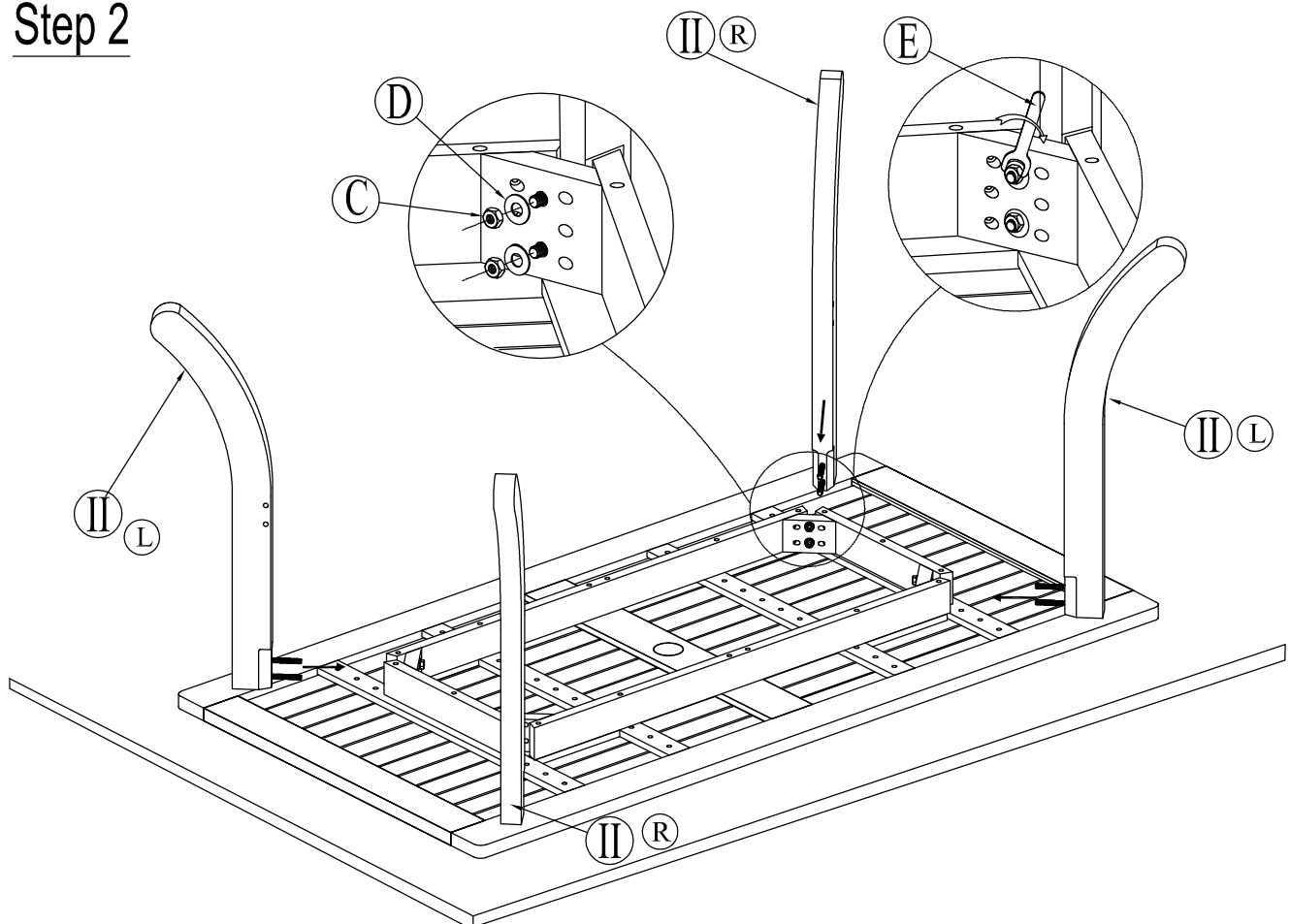
HARDWARE LIST

A		2	Screw 7 x 60	D		8	Washer
B		8	Screw 7 x 40	E		1	Spanner
C		8	Nut M8	F		2	Allen Key

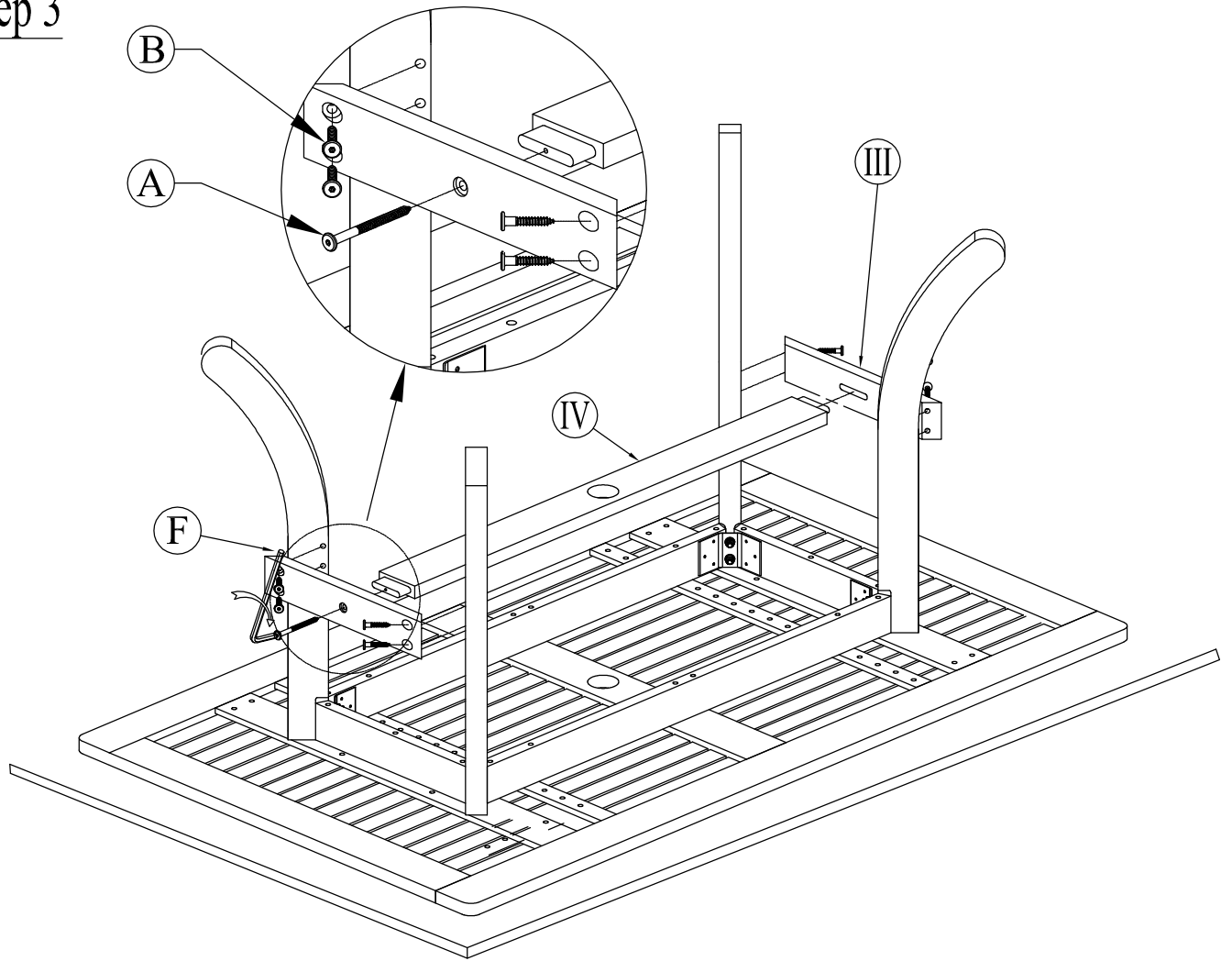
Step 1



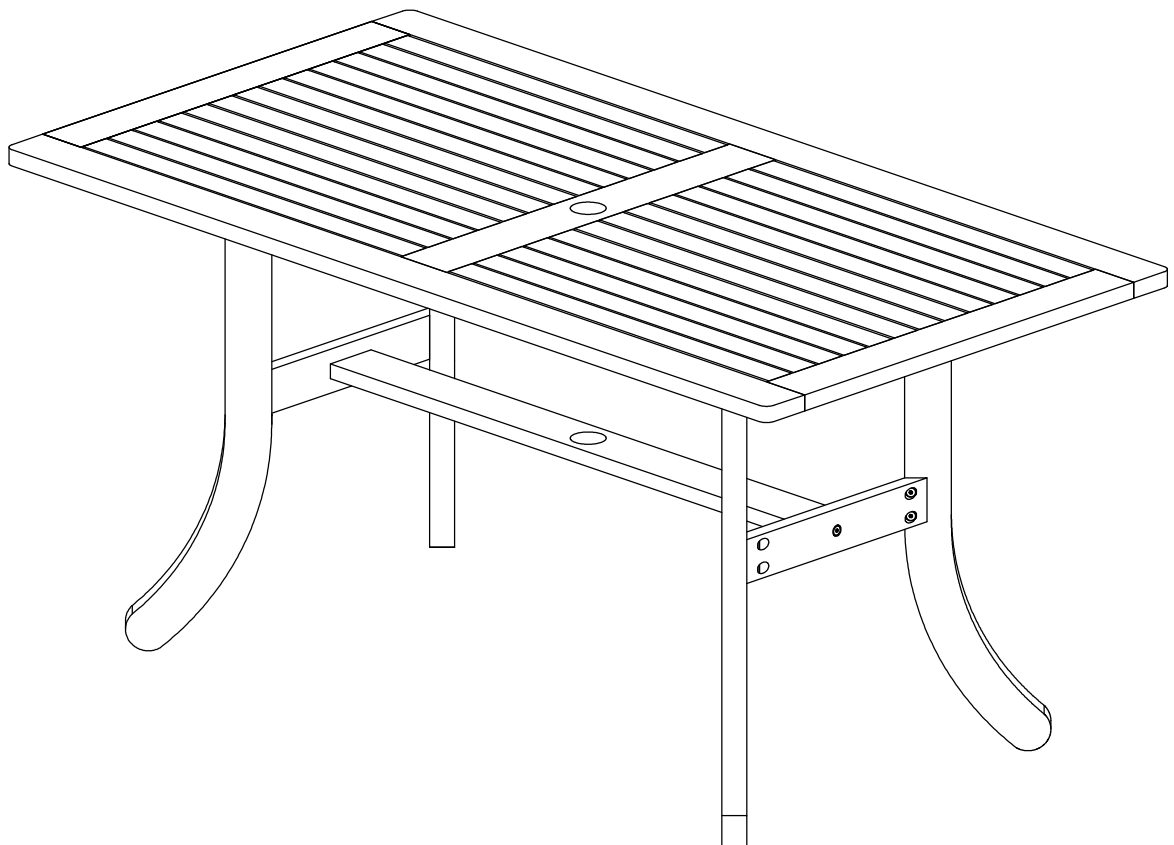
Step 2

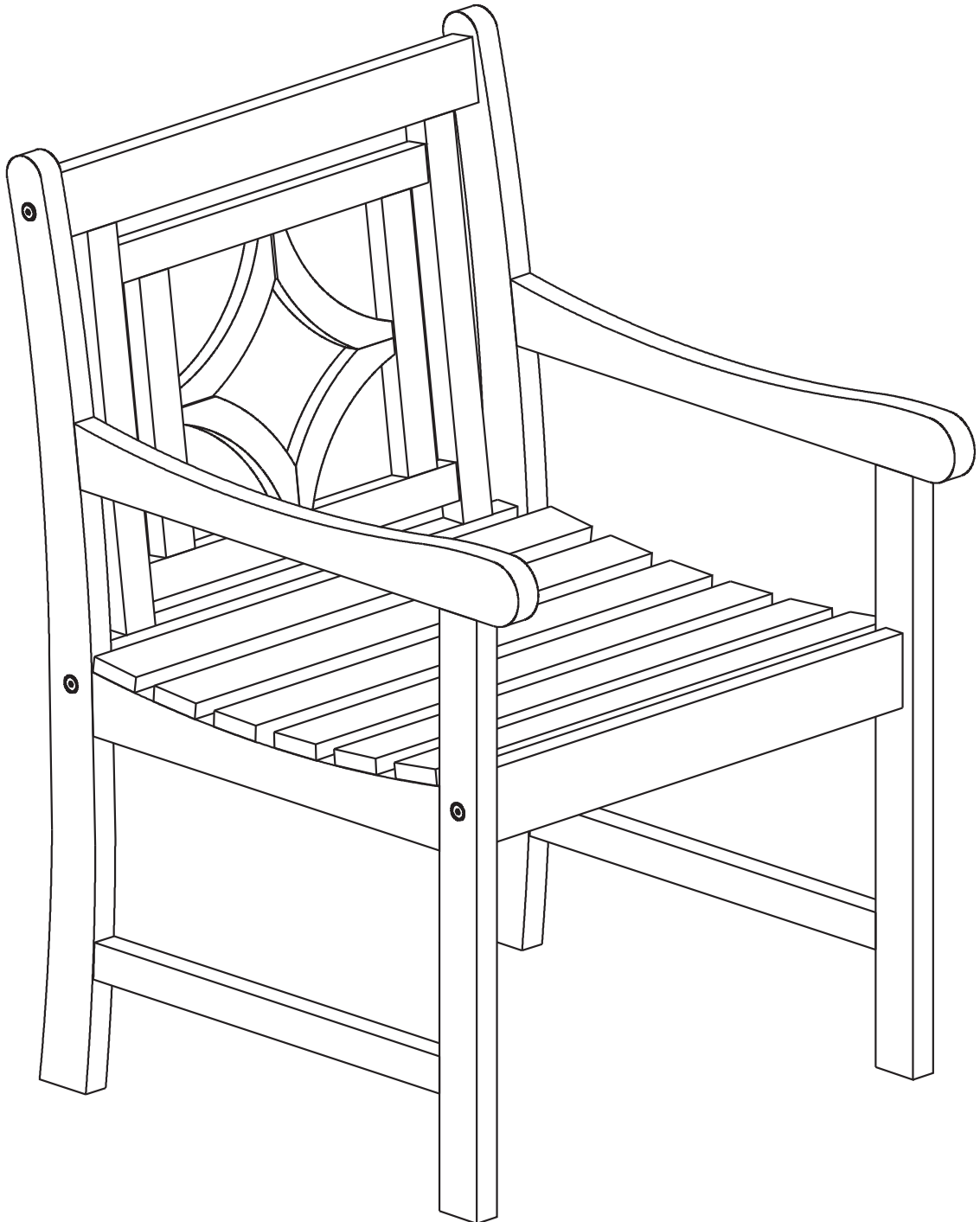


Step 3



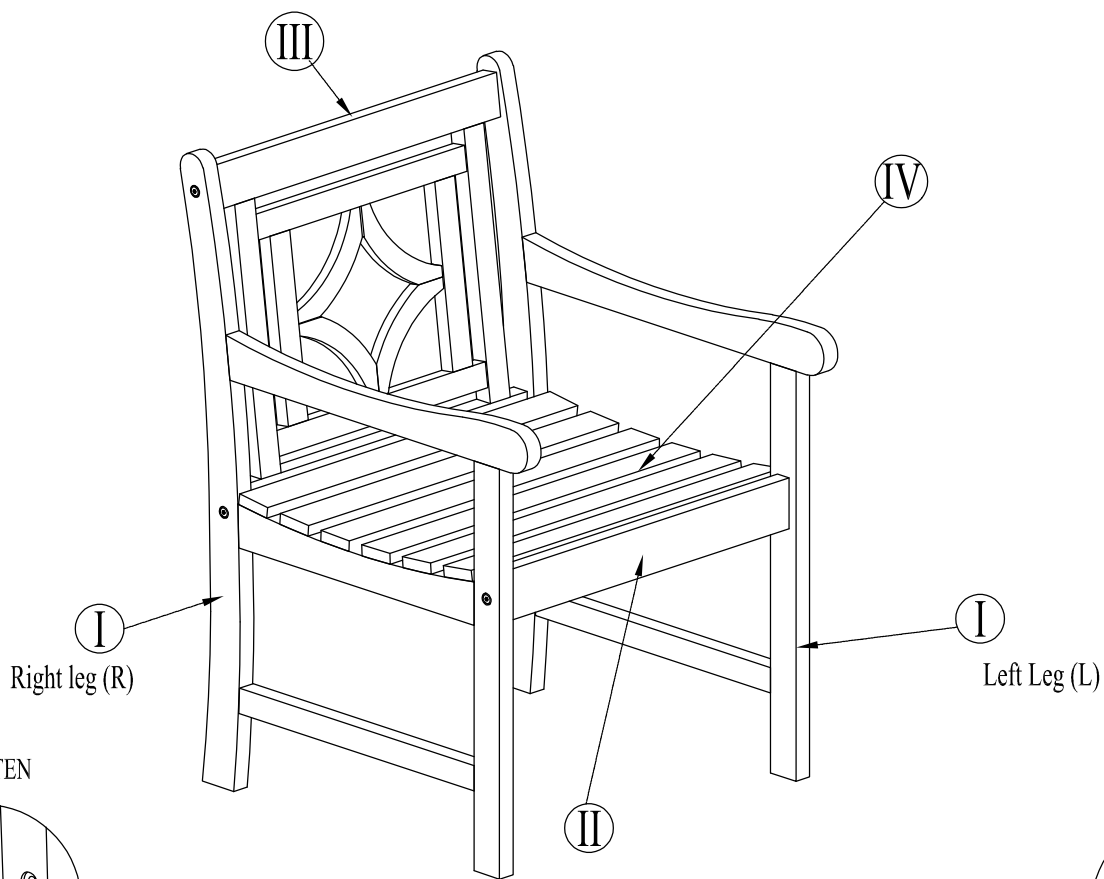
Step 4





Maximum capacity : 110 kgs/242 Lbs

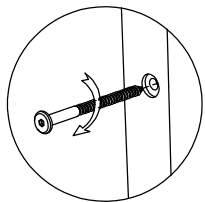




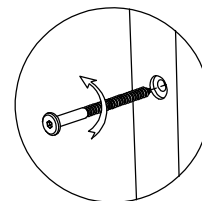
Right leg (R)

Left Leg (L)

TIGHTEN



LOOSEN



NOTE: 50% TIGHTEN BEFORE FIXING ALL BOLTS & SCREWS

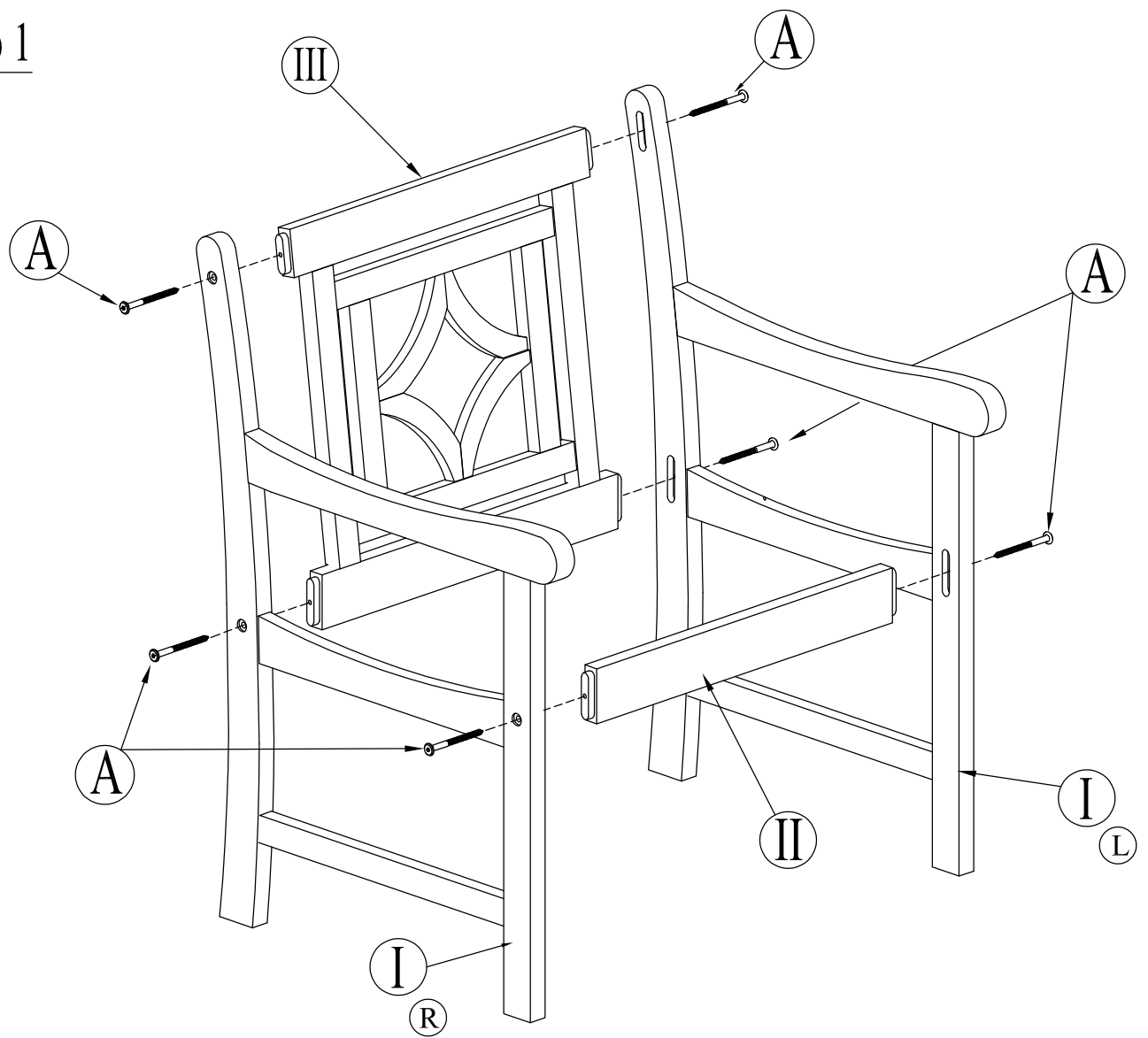
COMPONENTS LIST

<p>I</p> <p>Right leg (R) Left Leg (L)</p> <p>Q'TY 2</p>	<p>II</p> <p>Q'TY 1</p>	<p>IV</p> <p>Q'TY 1</p>
<p>III</p> <p>Q'TY 1</p>		

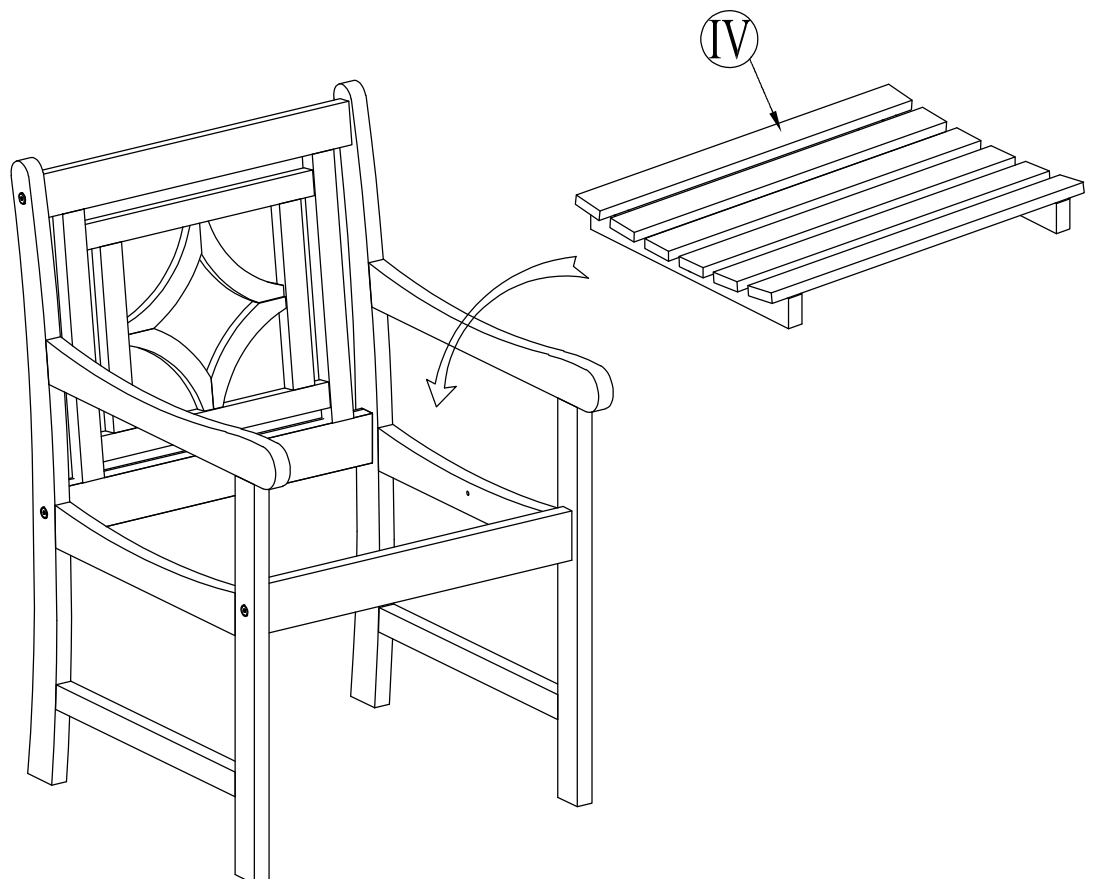
HARDWARE LIST

A		6	Screw 7 x 70				
B		2	Screw 7x40	C		2	Allen Key

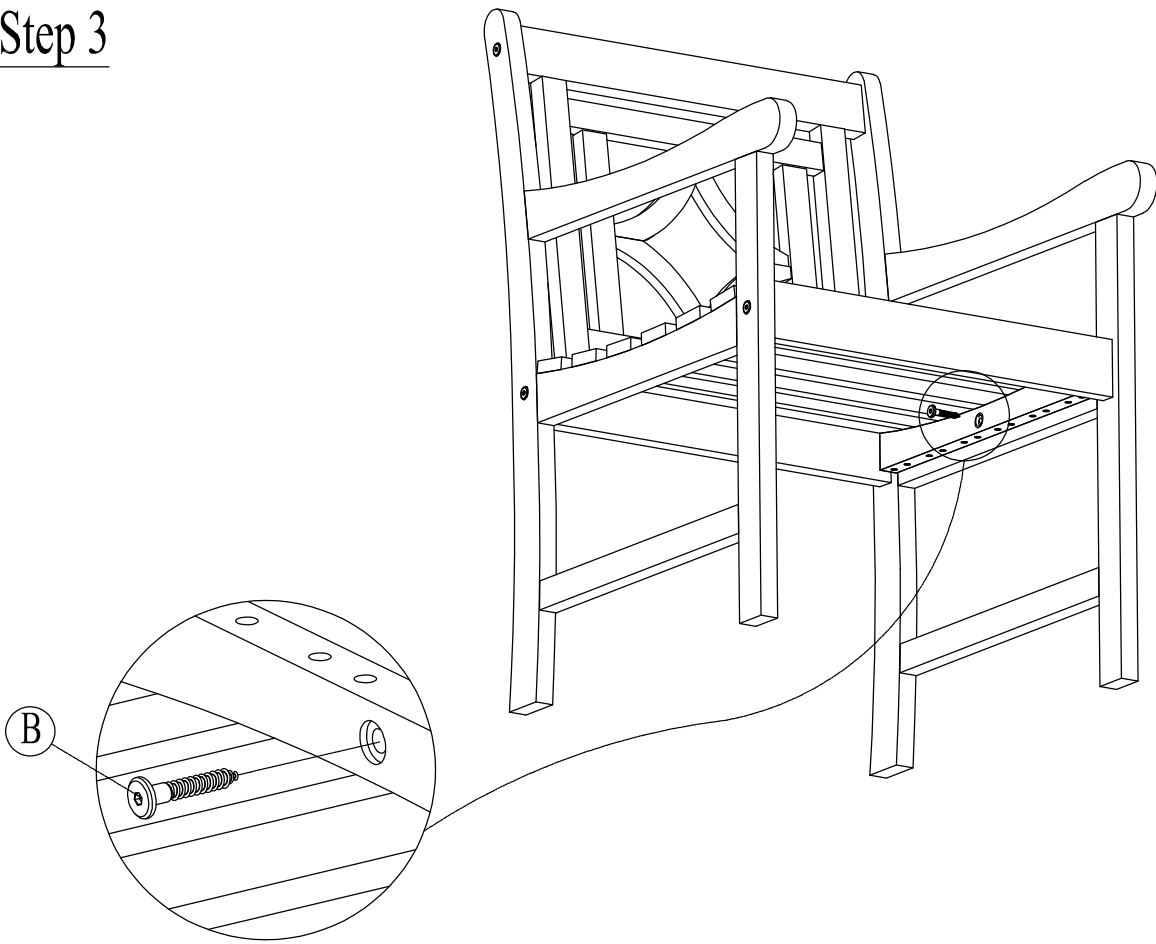
Step 1



Step 2



Step 3



Step 4

