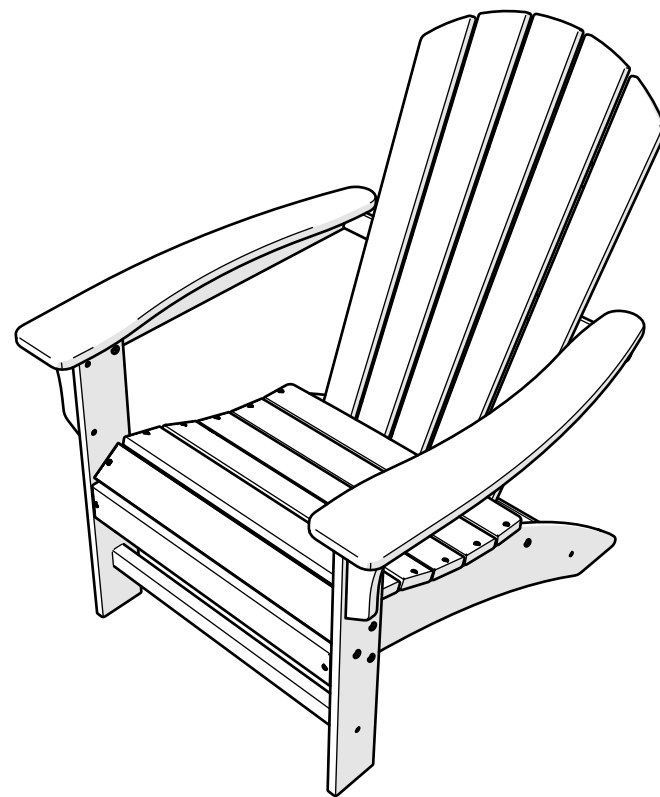




Assembly Instructions



TXAD410
Yacht Club
Adirondack Chair

..... **20-Year Warranty**

To view our full warranty, please visit
trexfurniture.com/warranty

..... **Share your space**

We love to see where our furniture
ends up — snap a pic and share
it with us on Facebook!
facebook.com/trexfurniture

..... **Having Trouble?**

If you have questions or concerns regarding
assembly instructions or missing parts,
please contact us at **(877) 907-TREX (8739)**
or email support@trexfurniture.com

..... **Cleaning Tips**

Keep your Trex Outdoor Furniture™
looking brand new:

For a quick clean:

Simply wipe down with soap and water.

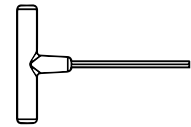
For a deeper clean:

You'll need:

- » 1/3 bleach and 2/3 water solution
- » clean cloth
- » soft bristle brush

Wipe on solution with your cloth
and let it sit on the lumber for a few
minutes (this will not affect the color).
Then, loosen any dirt and debris that
may catch in surface grooves with a
soft bristle brush; hose down to rinse.

TOOLS

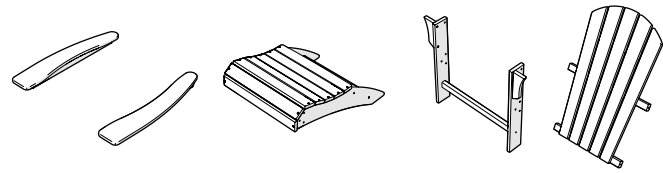


4mm T-handle hex key (included)



7/16" wrench (not included)

PARTS



A x6



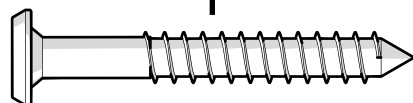
1.875" Bolt — H.25-20X1.875

B x2



2.25" Bolt — H.25-20X2.25

C x4



2" Screw — H.27X2



x8

Flange Nylon Lock Nut
HN.25-20FN

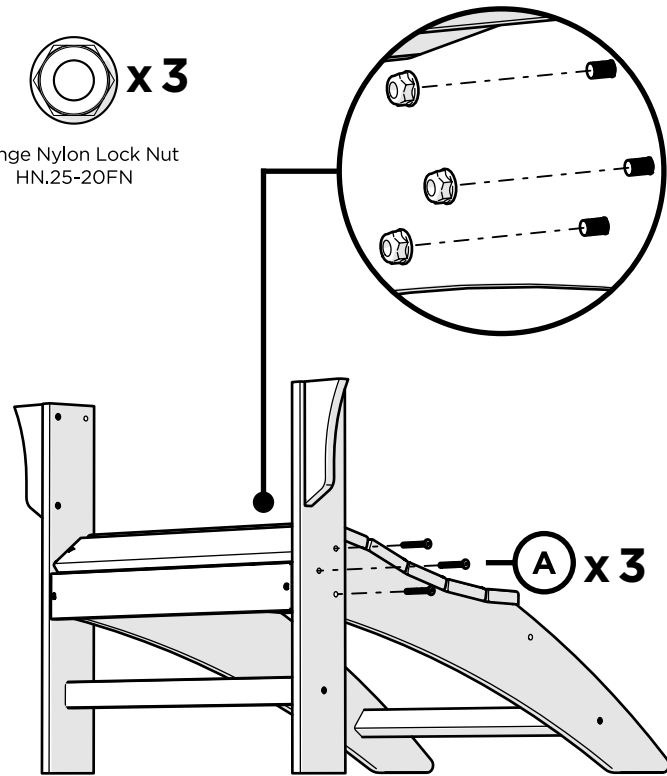
Something missing?
Call (833) 665-6300

1



x3

Flange Nylon Lock Nut
HN.25-20FN



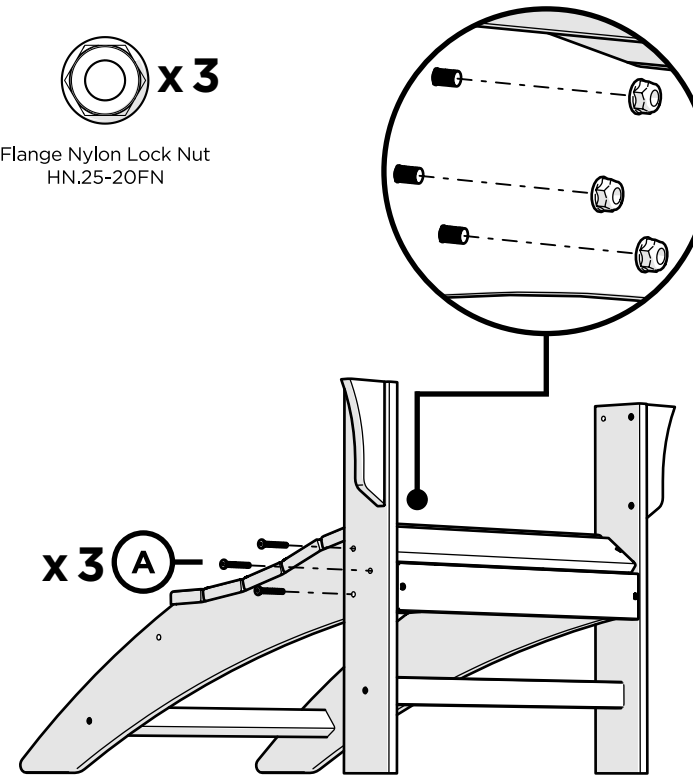
A x3

2



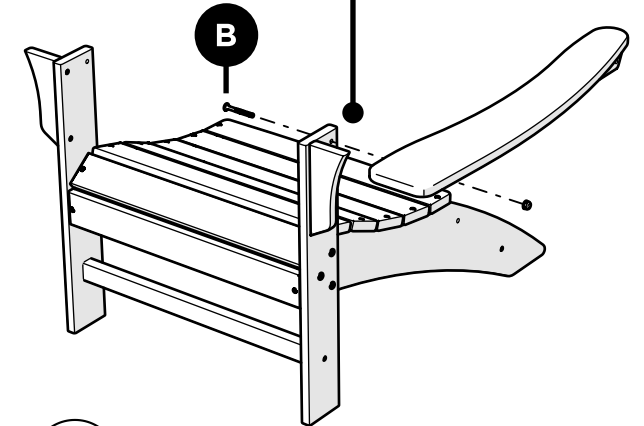
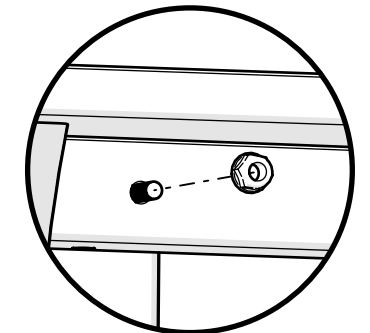
x3

Flange Nylon Lock Nut
HN.25-20FN



A x3

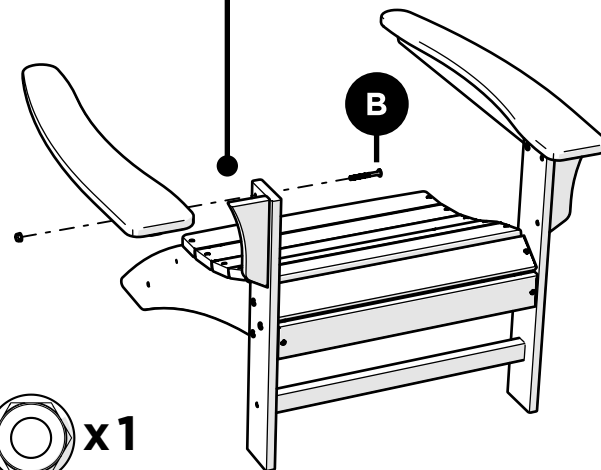
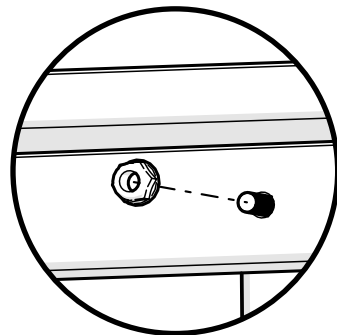
3



x1

Flange Nylon Lock Nut
HN.25-20FN

4



x1

Flange Nylon Lock Nut
HN.25-20FN

5

