



ASSEMBLY GUIDE  
GUIDE DE MONTAGE  
GUÍA DE MONTAJE

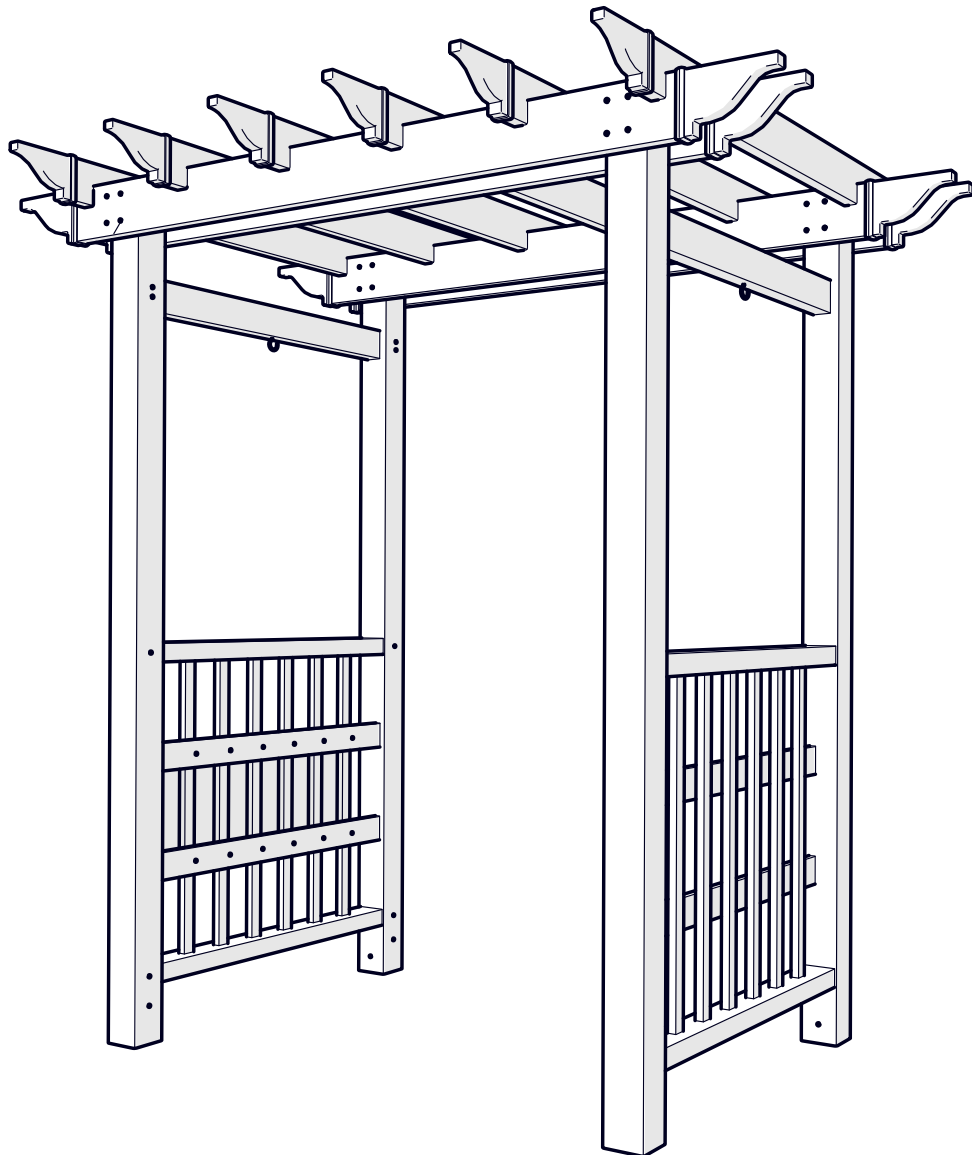
CLASSIC 

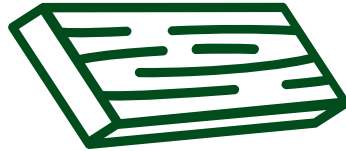
The word "CLASSIC" is written in a bold, uppercase, sans-serif font. To its right is a square icon containing three horizontal lines, representing the classic style of the arbor.

# SPRINGPORT ARBOR

TONNELLE DE SPRINGPORT  
CENADOR DE SPRINGPORT

VA68146





**4X4X12 LUMBER  
(3 1/2" X 3 1/2" X 12')**

**REQUIRED TOOLS AND MATERIALS (NOT INCLUDED)  
OUTILS ET MATÉRIAUX REQUIS (NON INCLUS)  
HERRAMIENTAS Y MATERIALES REQUERIDOS (NO INCLUIDOS)**



**HELLO@WEAREVITA.COM**



**VISIT [WWW.WEAREVITA.COM](http://WWW.WEAREVITA.COM)  
CLICK 'CHAT'**



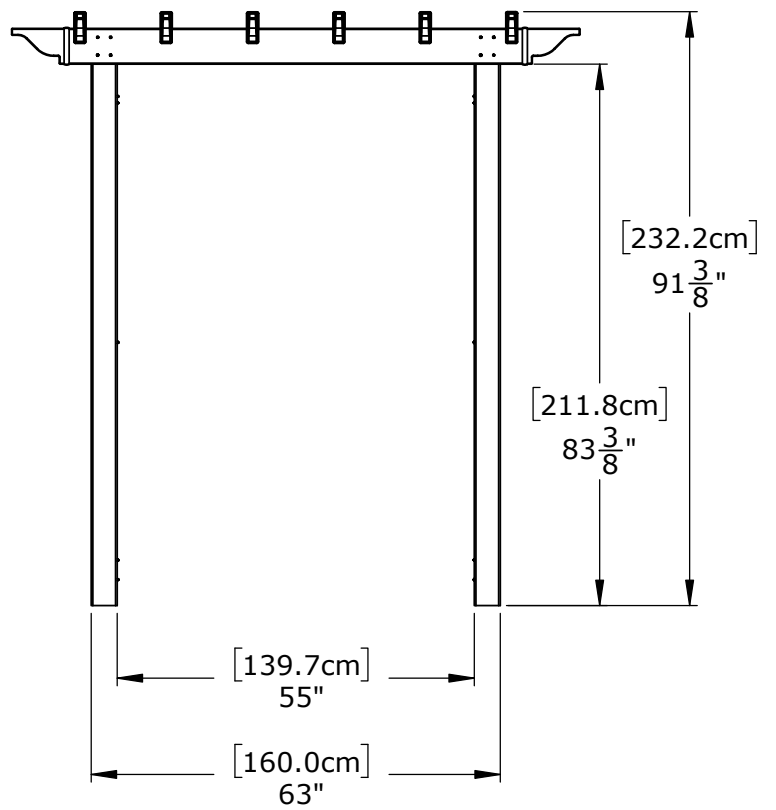
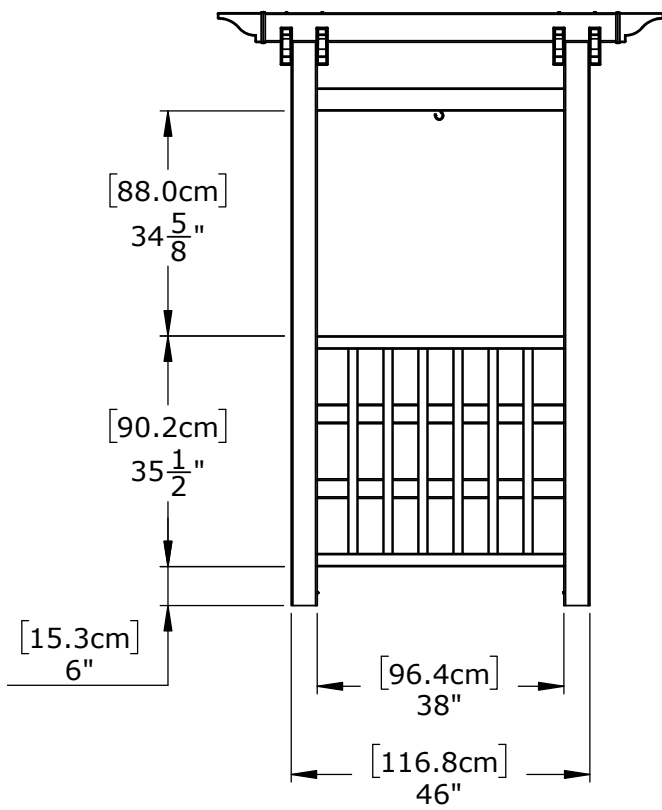
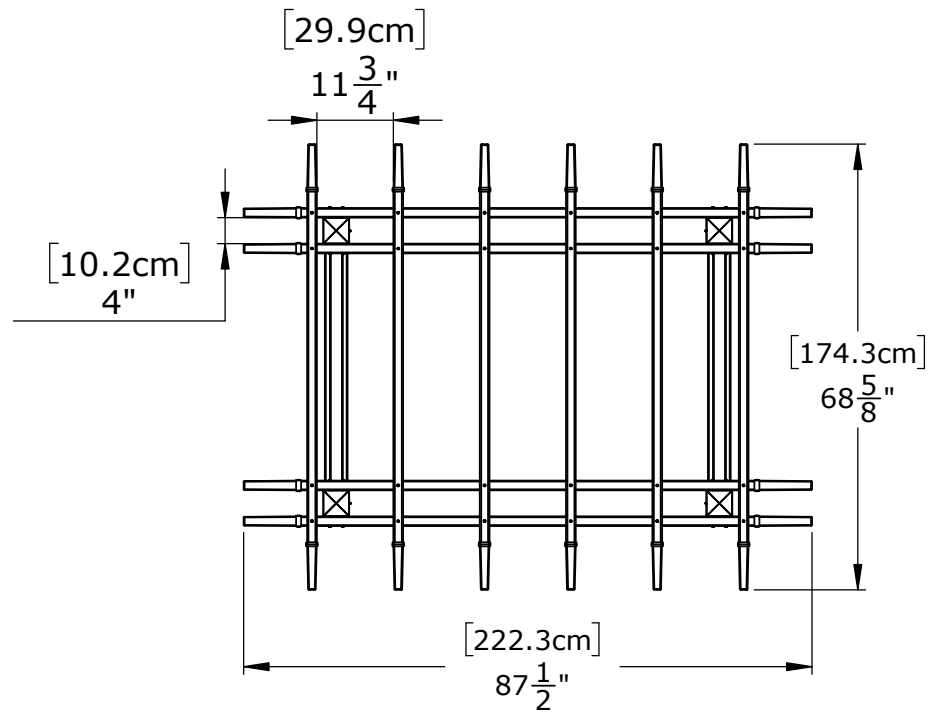
**1-800-282-9346  
MONDAY - FRIDAY | 8AM - 5PM EST**



**PRODUCT DIMENSIONS**

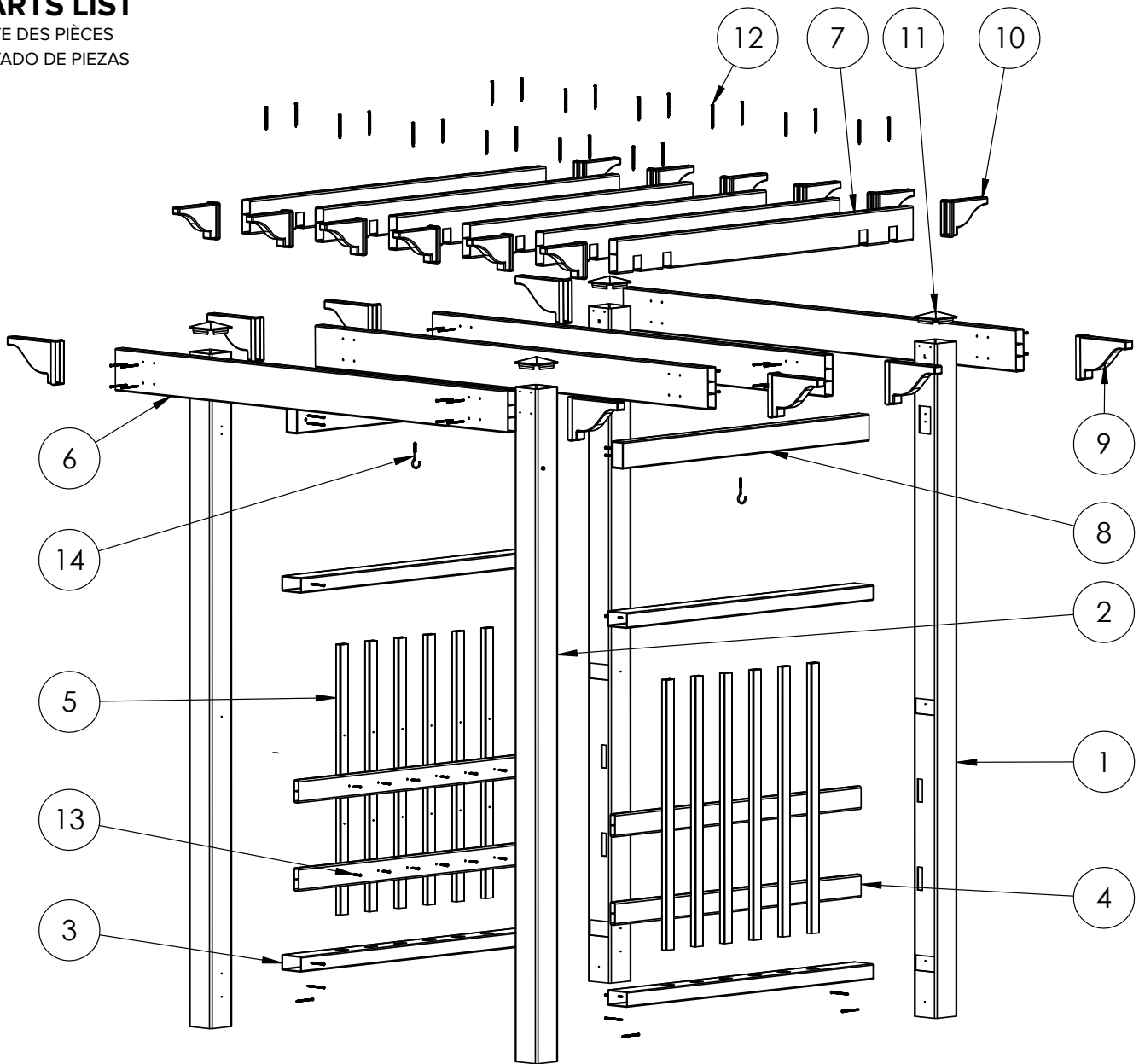
**DIMENSIONS DU PRODUIT**

**DIMENSIONES DEL PRODUCTO**



# PARTS LIST

LISTE DES PIÈCES  
LISTADO DE PIEZAS

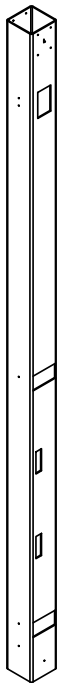


| ITEM NO. | Part Number | Description     | Dimensions          | QTY. |
|----------|-------------|-----------------|---------------------|------|
| 1        | 11187       | Left Post       | 88" (223.5cm)       | 2    |
| 2        | 11188       | Right Post      | 88" (223.5cm)       | 2    |
| 3        | 11190       | Horizontal Rail | 45 3/4" (116.1cm)   | 4    |
| 4        | 11191       | Horizontal Beam | 45 3/4" (116.1cm)   | 4    |
| 5        | 11192       | Vertical Beam   | 35 1/4" (89.5cm)    | 12   |
| 6        | 11193       | Large Rafter    | 71" (180.4cm)       | 4    |
| 7        | 11194       | Small Rafter    | 55" (139.6cm)       | 6    |
| 8        | 11189       | Hanging Rail    | 45 3/4" (116.1cm)   | 2    |
| 9        | 30015       | Large End Cap   | 5 1/2" (13.9cm)     | 8    |
| 10       | 10700-1     | Small End Cap   | 4 1/2" (11.5cm)     | 12   |
| 11       | 10824       | Post Cap        | 4 x 4" (10 x 10cm)  | 4    |
| 12       | 20007       | Long Screw      | #8 x 3" (7.6cm)     | 80   |
| 13       | 20080       | Short Screw     | #8 x 1 1/4" (3.2cm) | 24   |
| 14       | 17091       | Eye Hook        | 2" (5.1cm)          | 2    |
| 15       | 20000       | Glue            | 1 1/2 oz (44.3mL)   | 2    |

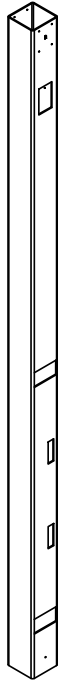
# COMPLETELY UNPACK AND TAKE INVENTORY OF PARTS BEFORE BEGINNING

DEBALLEZ COMPLETEMENT ET FAITES L'INVENTAIRE DES PIECES AVANT DE COMMENCER

ANTES DE COMENZAR, DESEMBALE COMPLETAMENTE EL PRODUCTO Y REALICE UN INVENTARIO DE LAS PIEZAS



2x



2x



4x



4x



12x



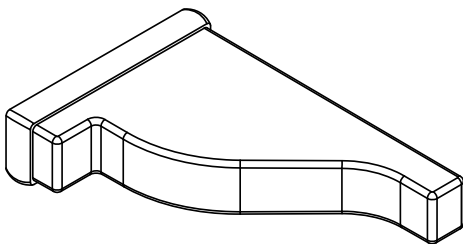
4x



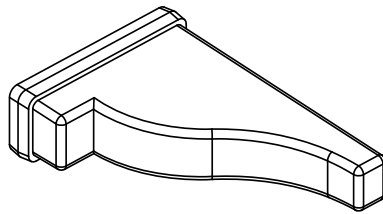
6x



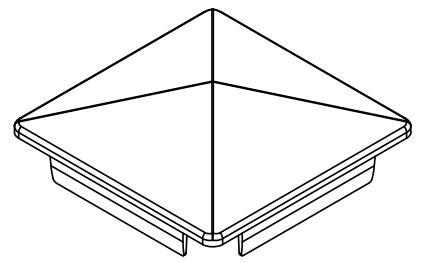
2x



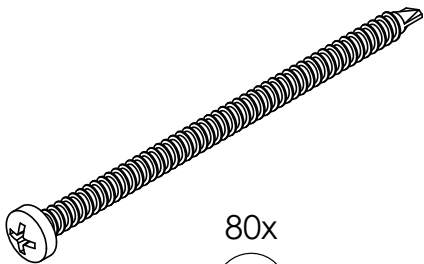
8x



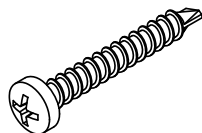
12x



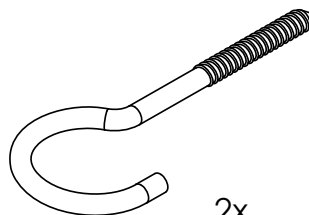
4x



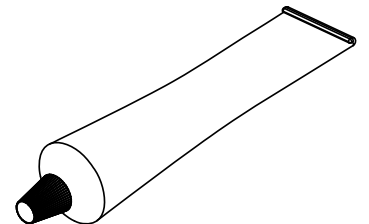
80x



24x



2x



2x



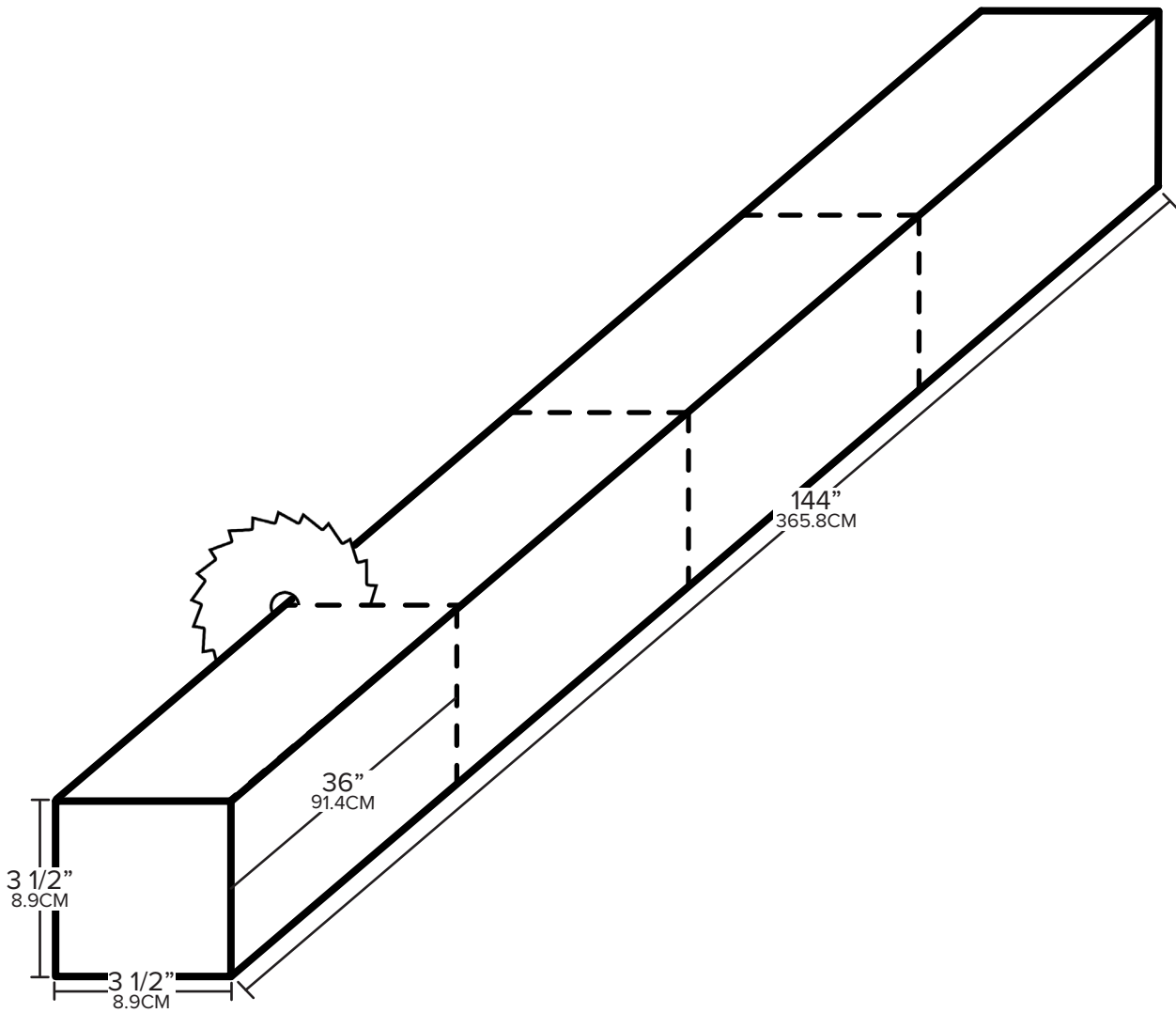


## PREPARE LUMBER GROUND STAKES

PREPAREZ DES PIQUETS DE BOIS TAILLES  
RECORTA ESTACAS DE MADERA PARA AFIRMAR AL SUELO

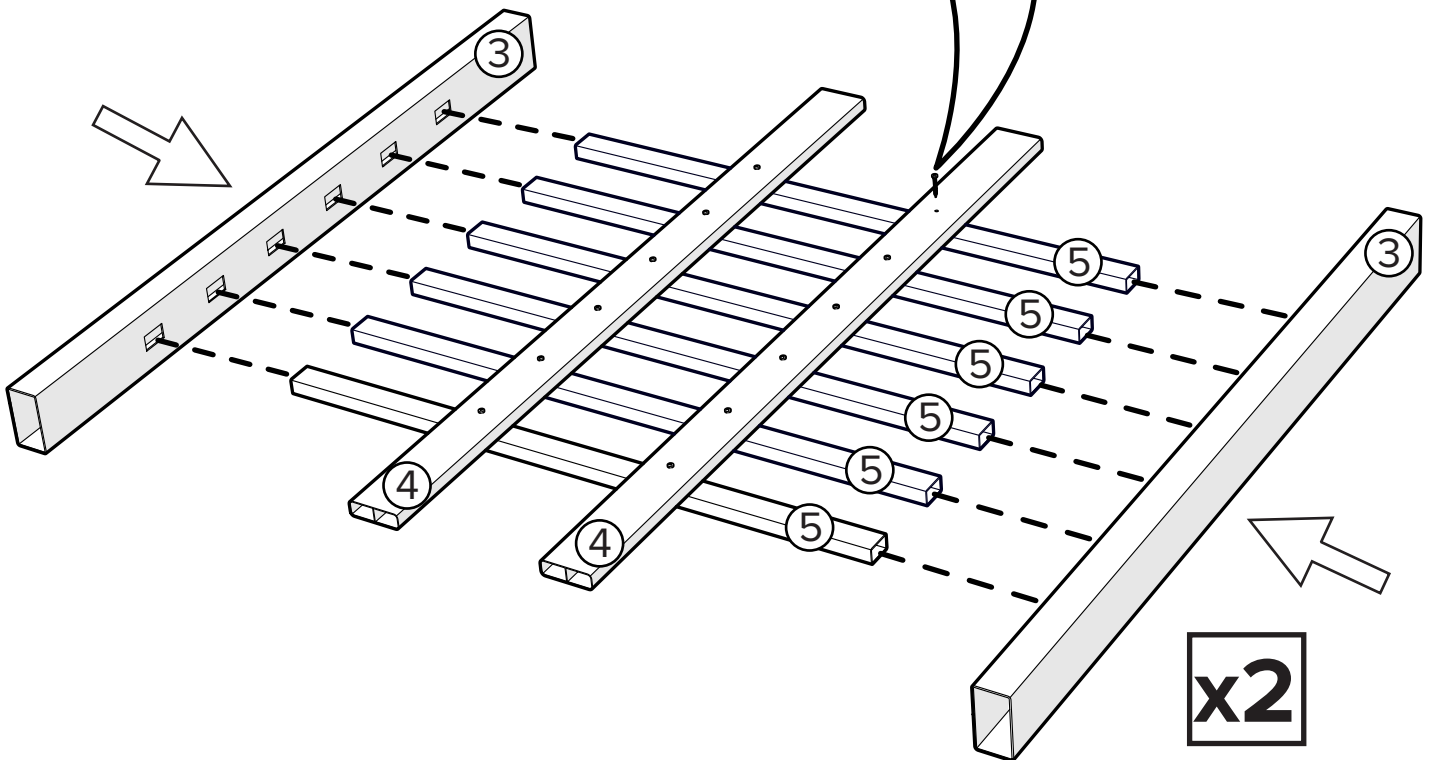
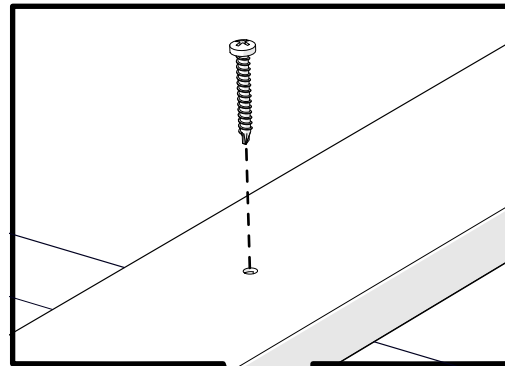
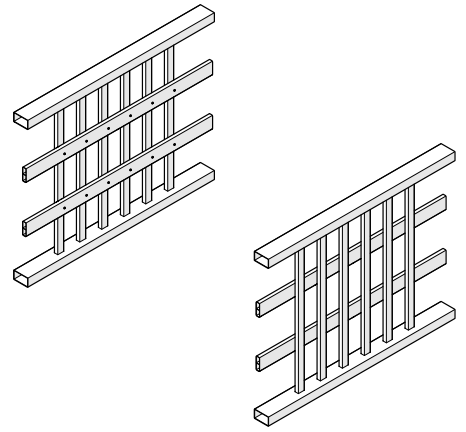
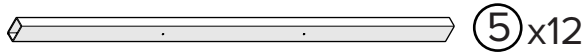


**4X4X12 LUMBER**  
**(3 1/2" X 3 1/2" X 12')**



# SECURE HORIZONTAL BEAMS AND CONNECT VERTICAL BEAMS TO HORIZONTAL RAILS

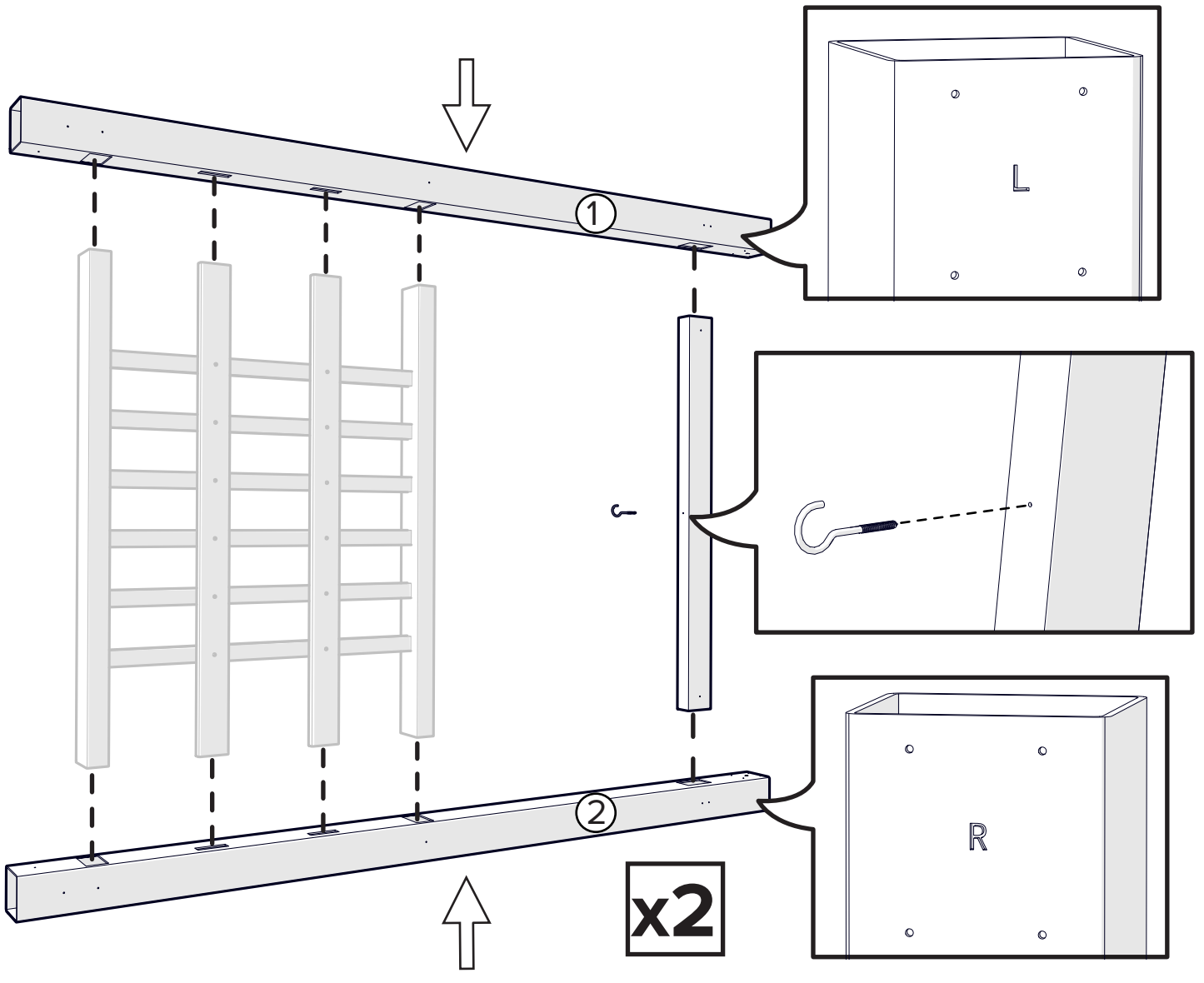
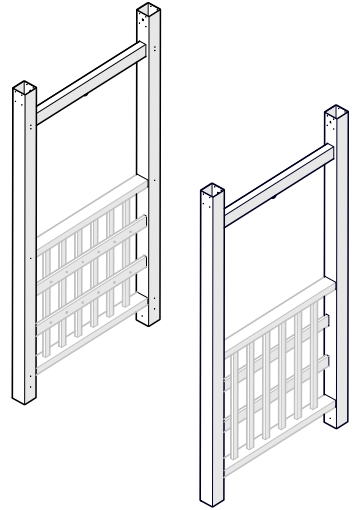
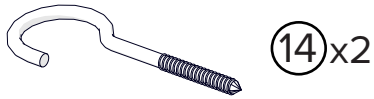
SÉCURISER LES POUTRES HORIZONTALES ET CONNECTER LES POUTRES VERTICALES AUX RAILS HORIZONTAUX  
ASEGURAR VIGAS HORIZONTALES Y UNA LAS VIGAS VERTICALES A LOS RIELES HORIZONTALES



## 2 CONNECT VERTICAL POSTS TO HORIZONTAL BEAMS AND RAILS AND SECURE EYE HOOKS

CONNECTEZ LES POTEAUX VERTICAUX AUX POUTRES HORIZONTALES ET AUX RAILS ET  
FIXEZ LES CROCHETS

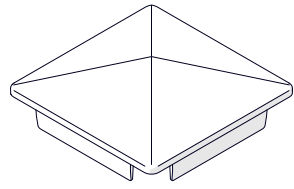
UNA LOS POSTES VERTICALES A LAS VIGAS HORIZONTALES Y LOS RIELES, Y ATORNILLE LOS  
GANCHOS





# 3 SECURE VERTICAL POSTS AND POST CAPS

FIXEZ LES POTEUX VERTICAUX ET LES EMBOUTS DE POTEUX  
ASEGURE LOS POSTES VERTICALES Y SUS TAPONES TERMINALES



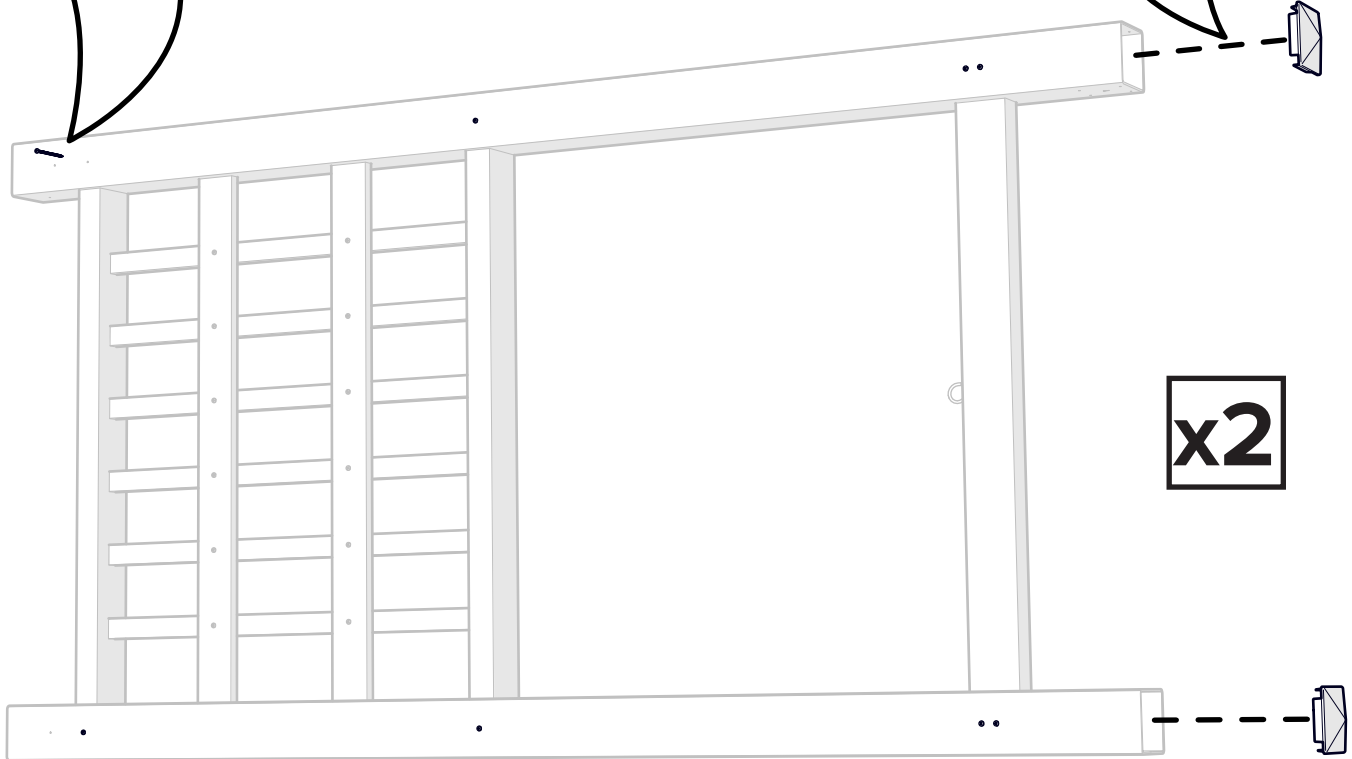
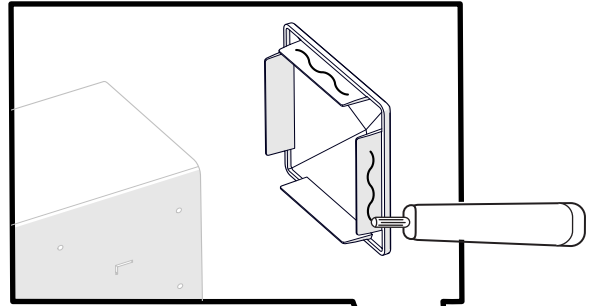
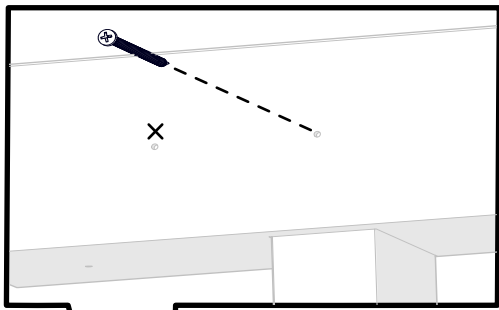
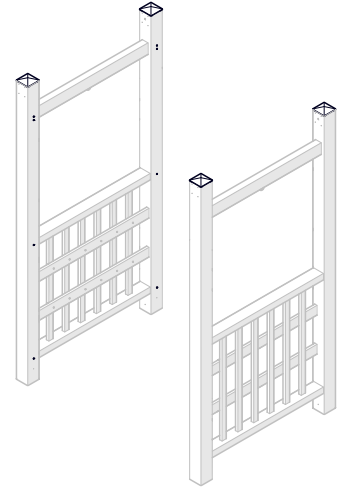
⑪ x4



⑫ x16



⑮ x1

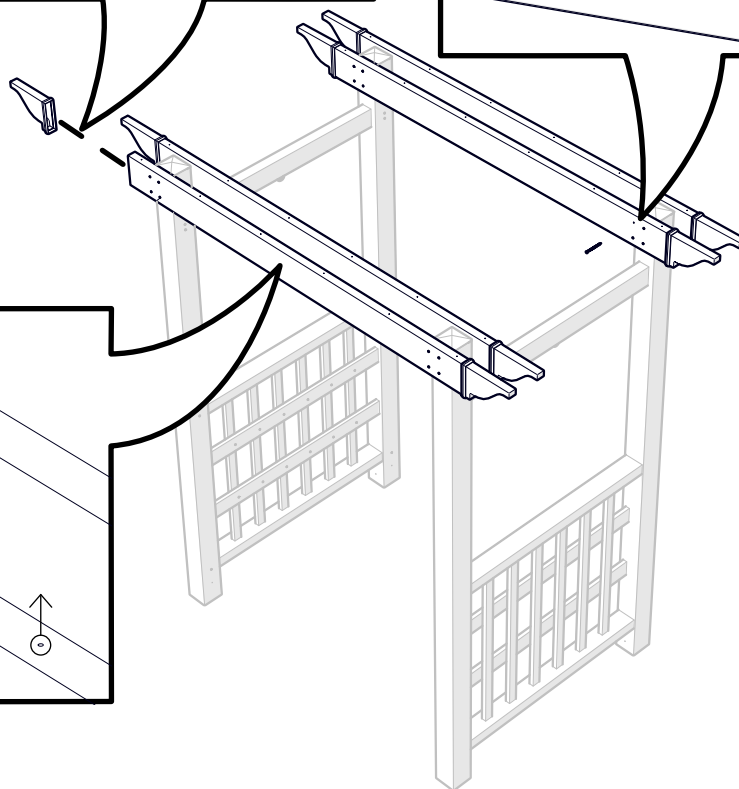
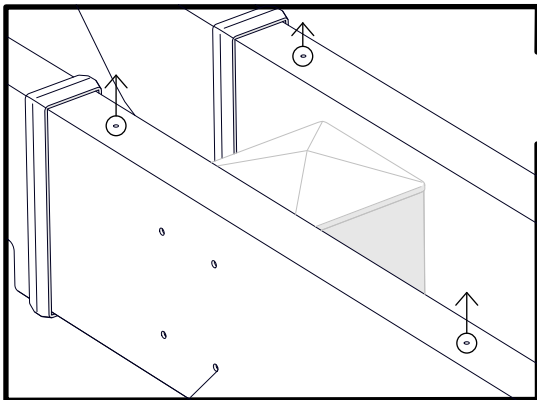
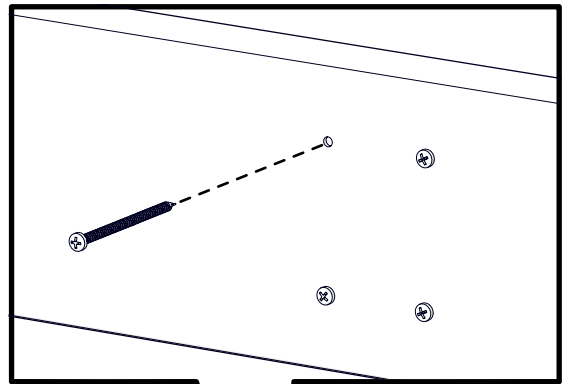
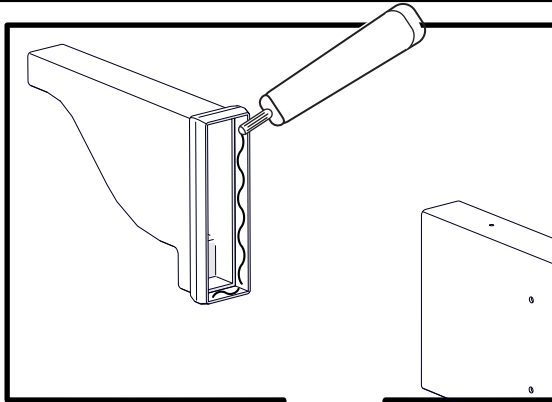
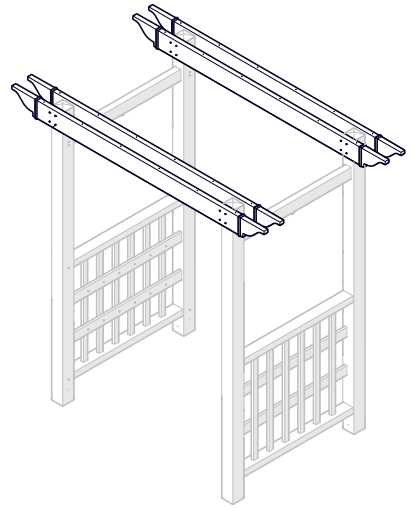
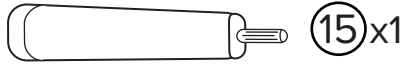
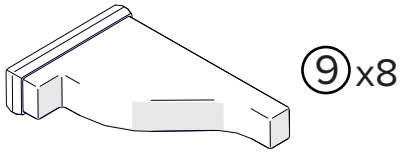


PHILLIPS #2

# 4

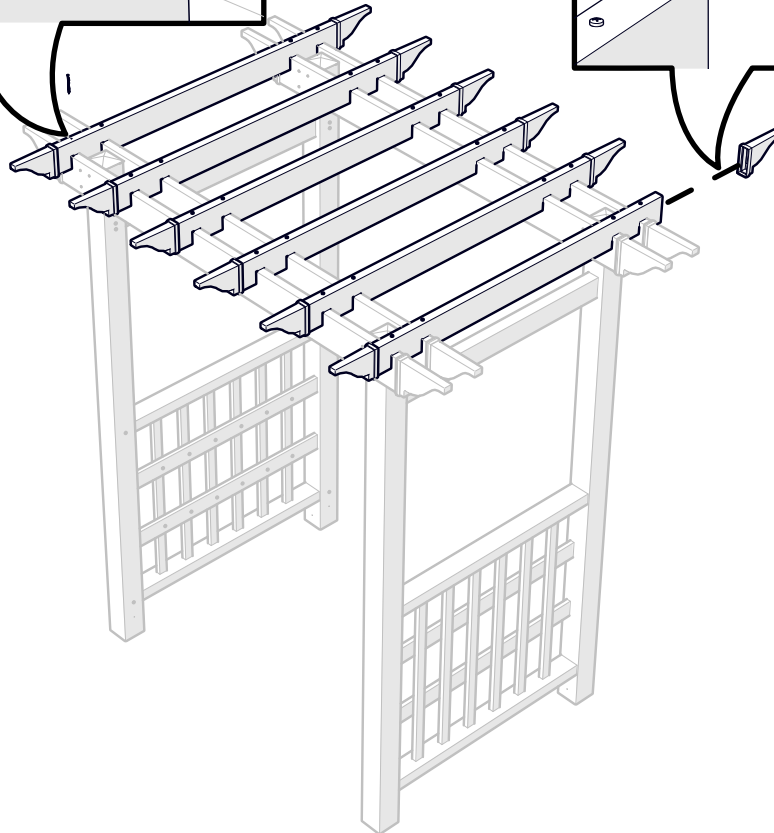
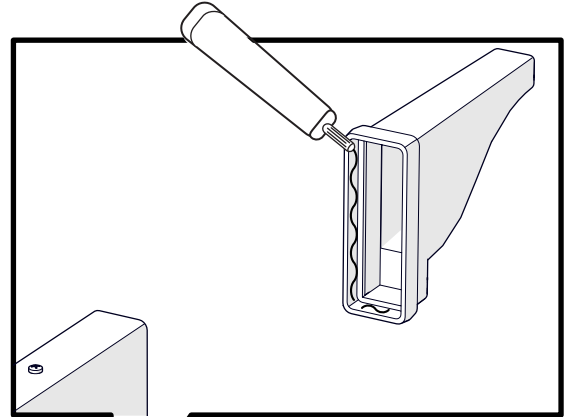
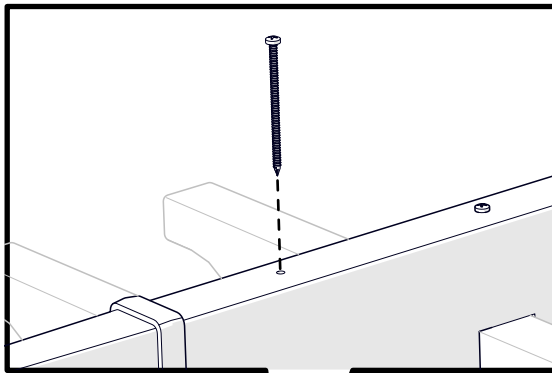
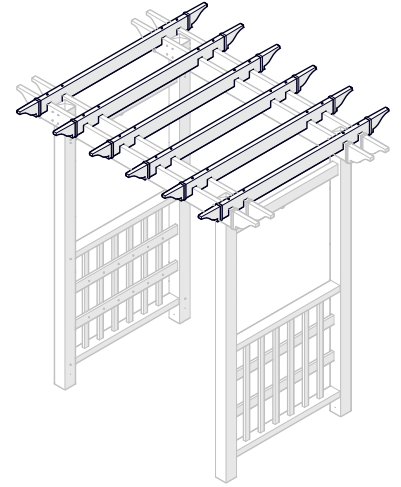
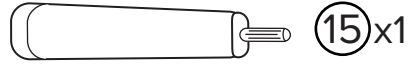
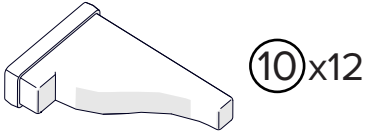
## SECURE LARGE RAFTERS AND LARGE END CAPS

FIXEZ LES GRANDS CHEVRONS ET LES GRANDS EMBOUTS  
ASEGURE LOS TRAVESAÑOS GRANDES Y SUS TAPONES TERMINALES



# 5 SECURE SMALL RAFTERS AND SMALL END CAPS

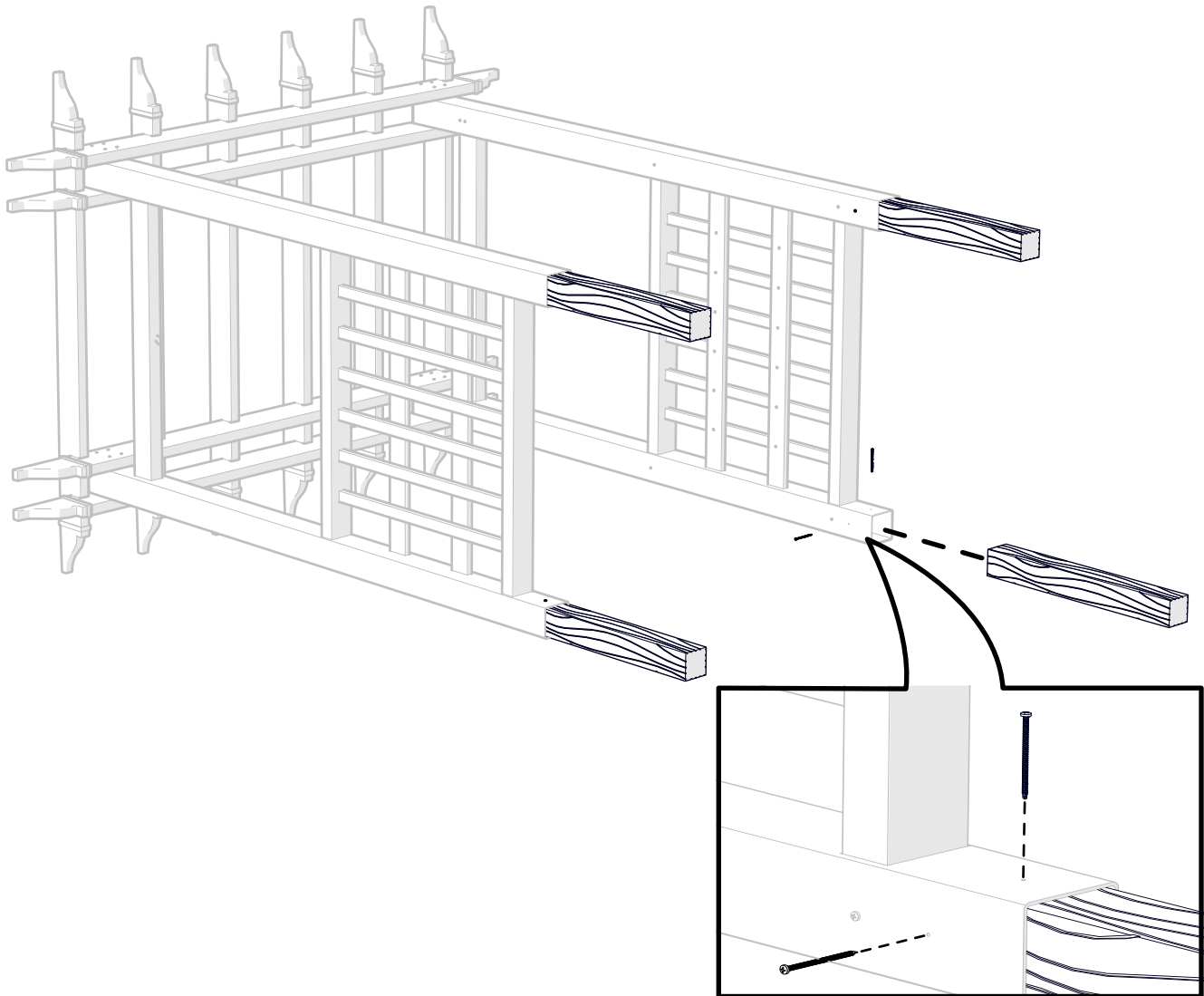
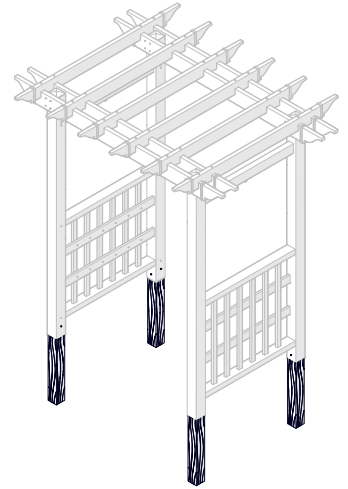
FIXEZ LES PETITS CHEVRONS ET LES PETITS EMBOUTS  
ASEGURE LOS TRAVESAÑOS PEQUEÑOS Y SUS TAPONES TERMINALES



# 6

## CONNECT THEN SECURE FABRICATED LUMBER GROUND POSTS

CONNECTEZ ALORS LES POTEAUX DE SOL FAITS MAISON  
UNA Y LUEGO AFIRME LOS POSTES DE MADERA PARA EL SUELO QUE HA PREPARADO



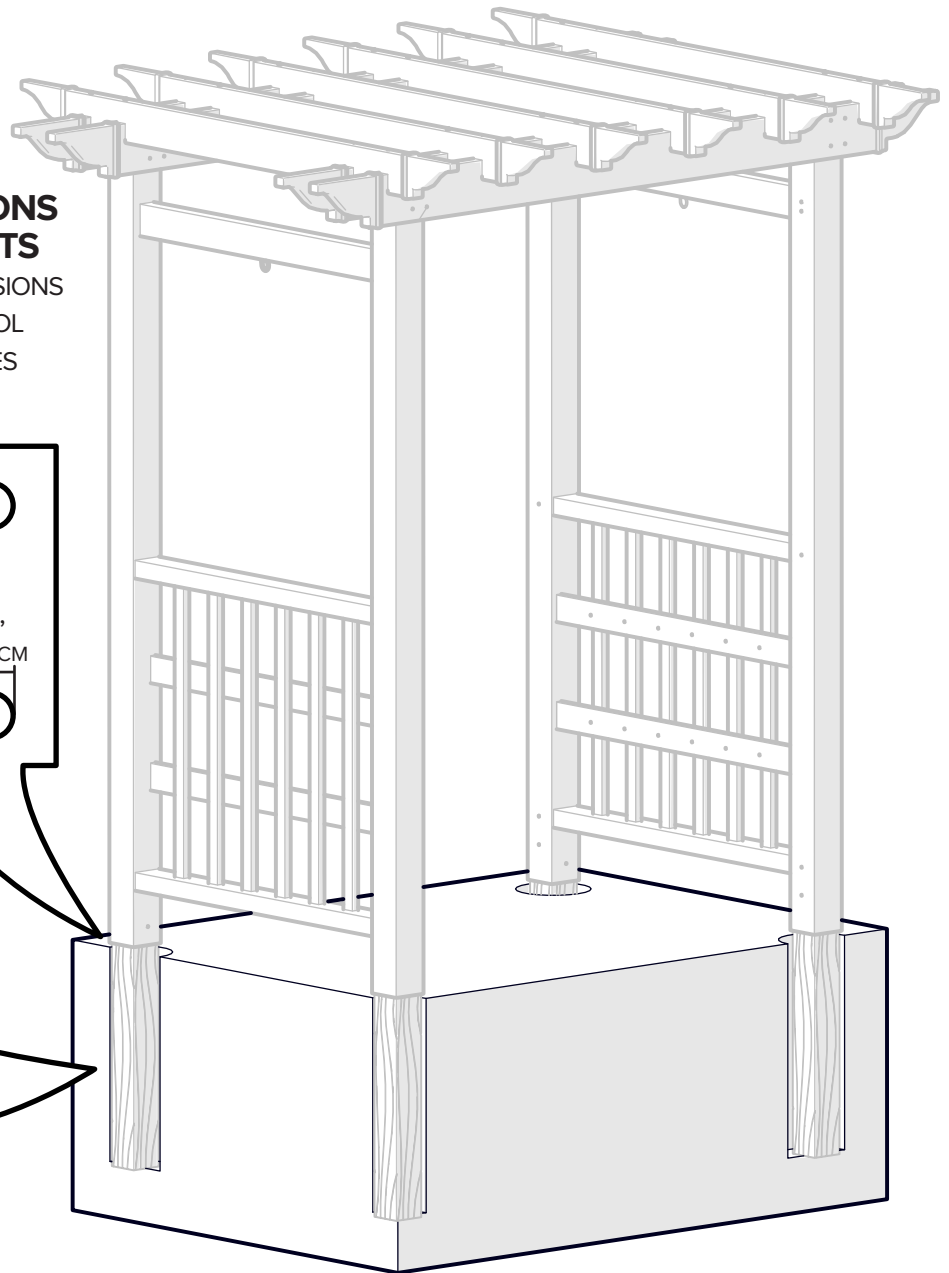
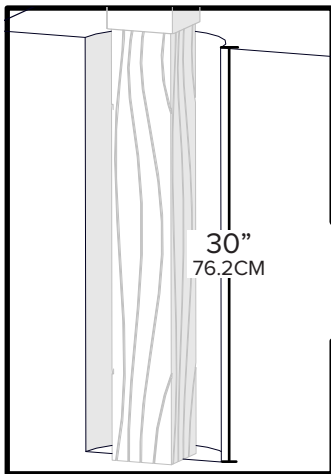
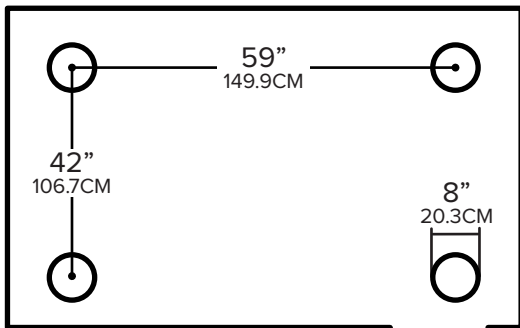
PHILLIPS #2

# 7 INSTALL THE ARBOR

INSTALLEZ LA TONELLE  
INSTALE EL CENADOR

## DIG HOLES USING DIMENSIONS AND INSERT GROUND POSTS

CREUSEZ DES TROUS SELON LES DIMENSIONS  
ET INSEREZ LES POTEaux DANS LE SOL  
CAVE ORIFICIOS DE LAS DIMENSIONES  
INDICADAS E INSERTE LOS POSTES



## FILL WITH CEMENT TO SECURE

GARNISSEZ DE CIMENT POUR BIEN FIXER LE TOUT  
RELLENE CON CEMENTO PARA ASEGURAR EL  
ENREJADO

