



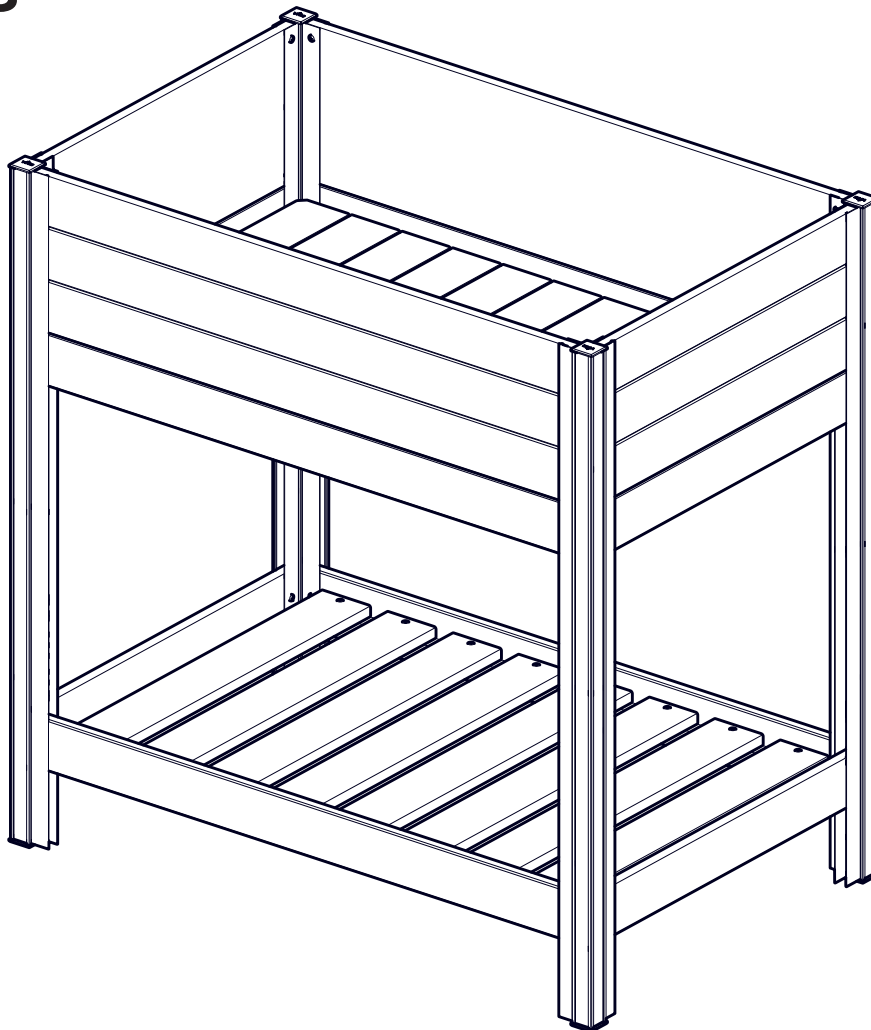
**ASSEMBLY GUIDE  
GUIDE DE MONTAGE  
GUÍA DE MONTAJE**

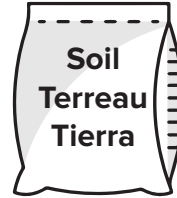
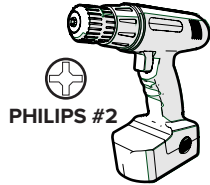
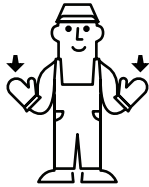
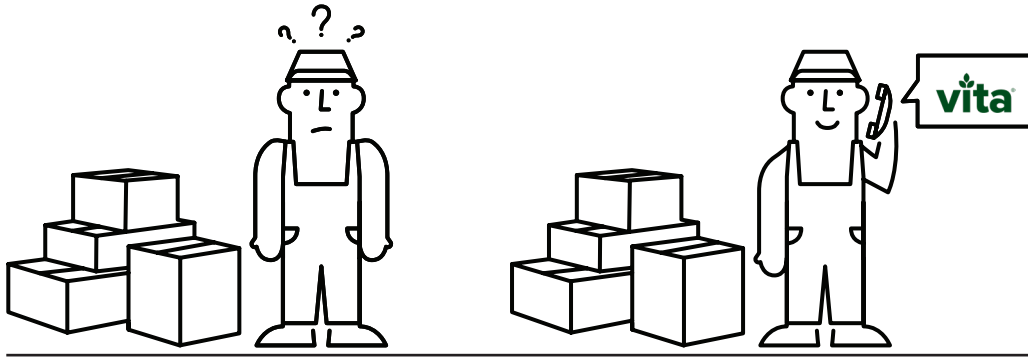
**MEZZA**

# HERB FARM

**FERME AUX HERBES  
GRANJA DE HIERBAS**

**VT17718**





REQUIRED TOOLS AND MATERIALS (NOT INCLUDED)  
OUTILS ET MATÉRIAUX REQUIS (NON INCLUS)  
HERRAMIENTAS Y MATERIALES REQUERIDOS (NO INCLUIDOS)

108 L (Liters)  
or  
3.8 Ft<sup>3</sup> (Cubic Feet)



1-800-282-9346



HELLO@WEAREVITA.COM



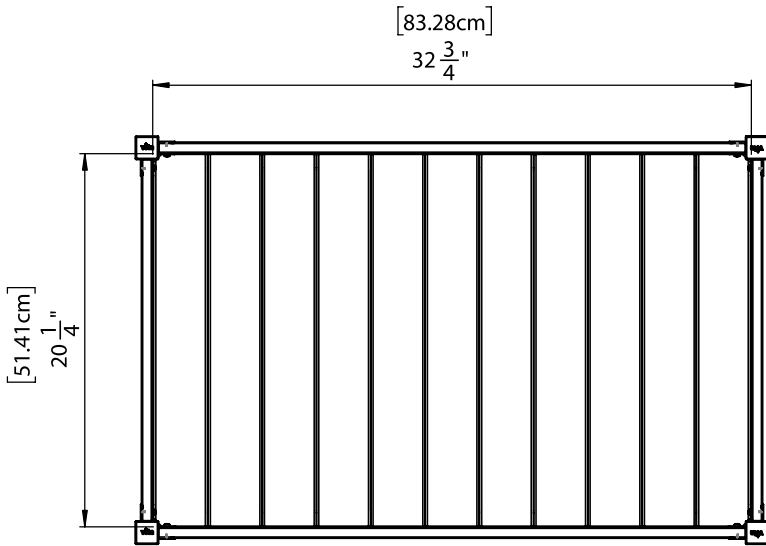
WWW.WEAREVITA.COM



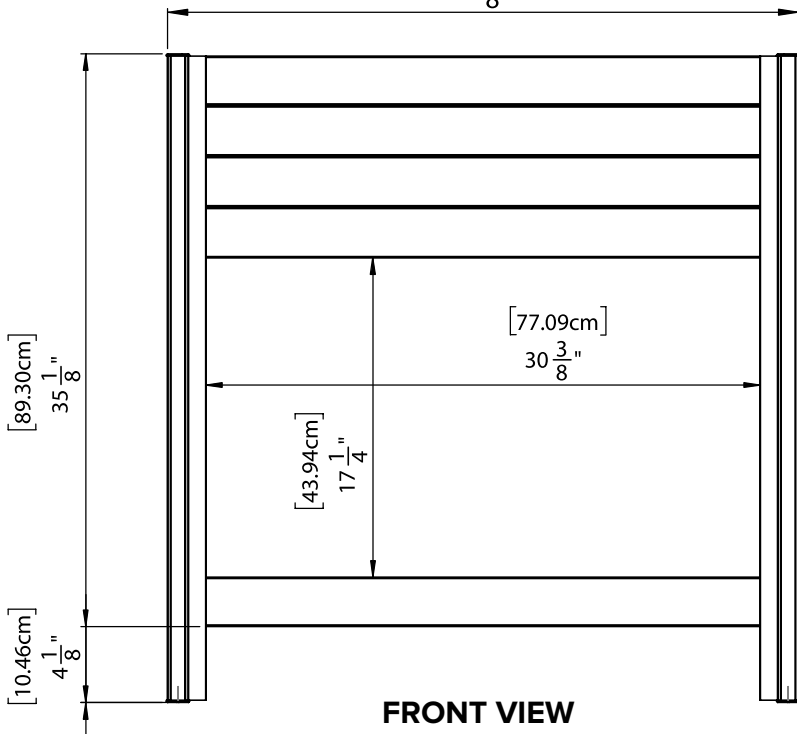
MONDAY - FRIDAY  
8:00 AM - 5:00 PM EST



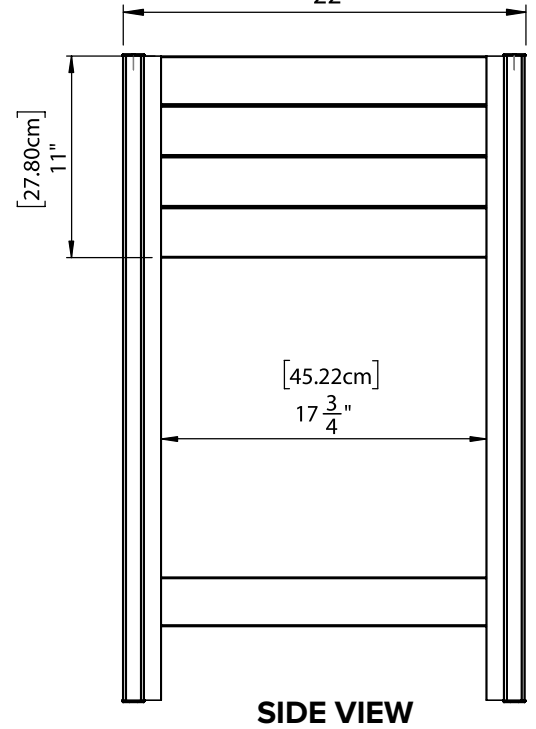
TOP VIEW



[87.8cm]  
34 <sup>5</sup>/<sub>8</sub>"

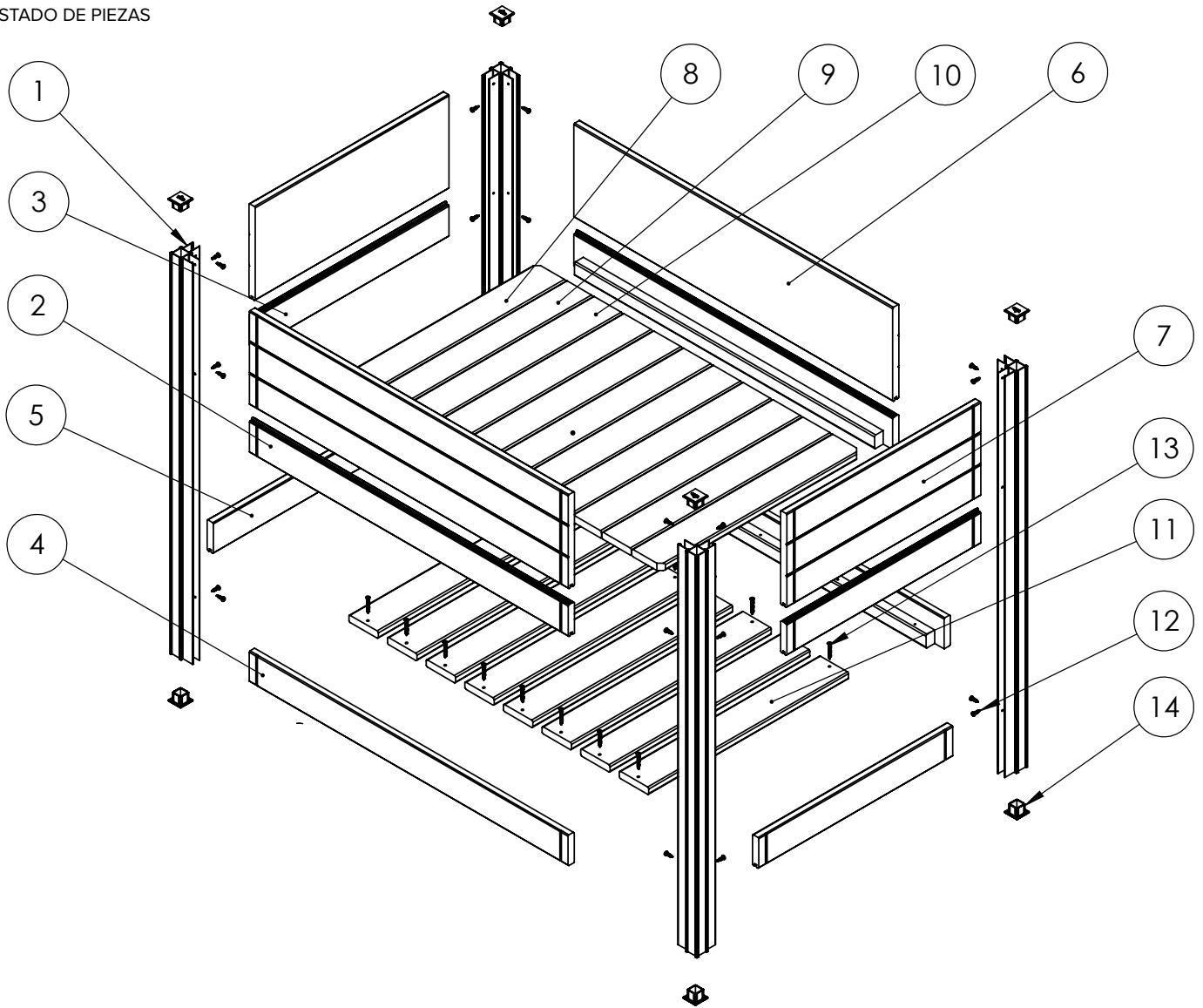


[56 cm]  
22"



# PARTS LIST

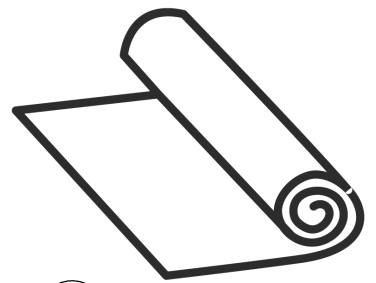
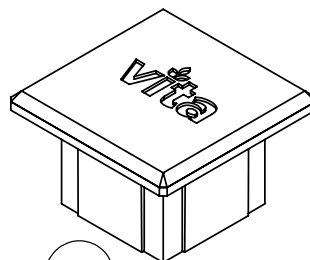
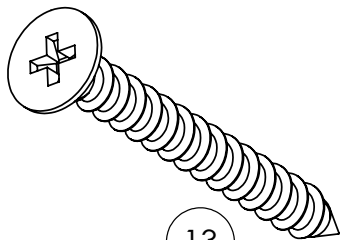
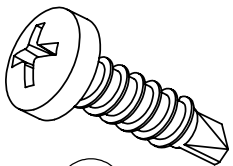
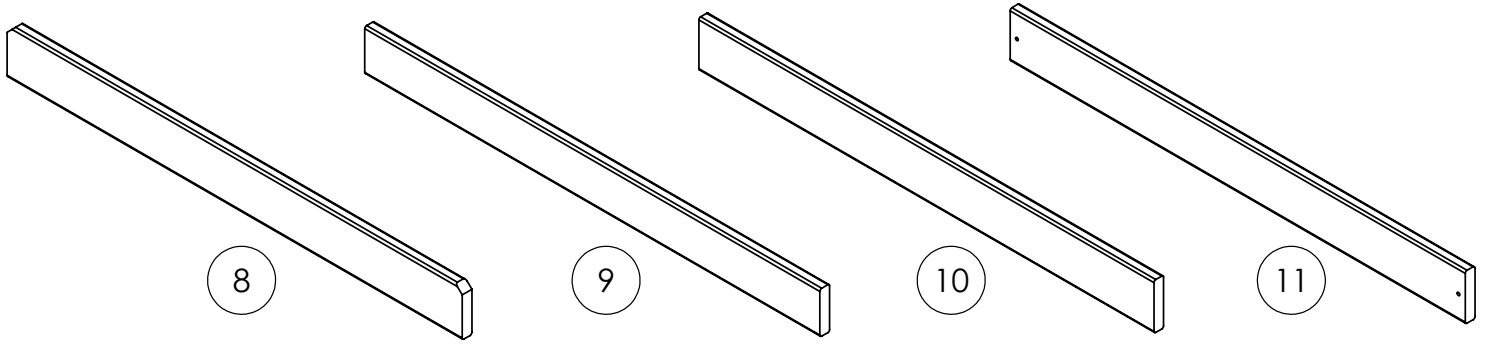
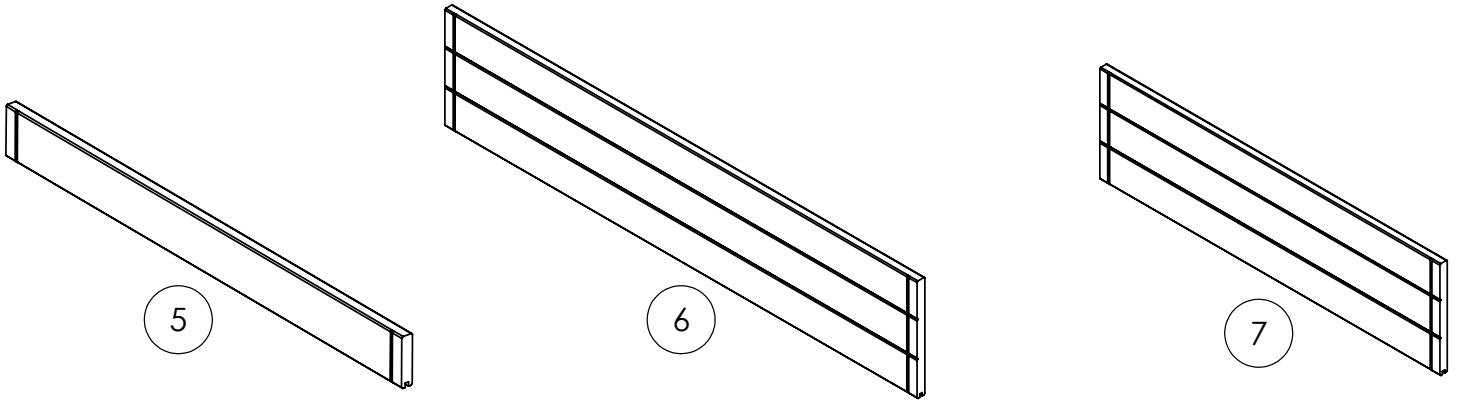
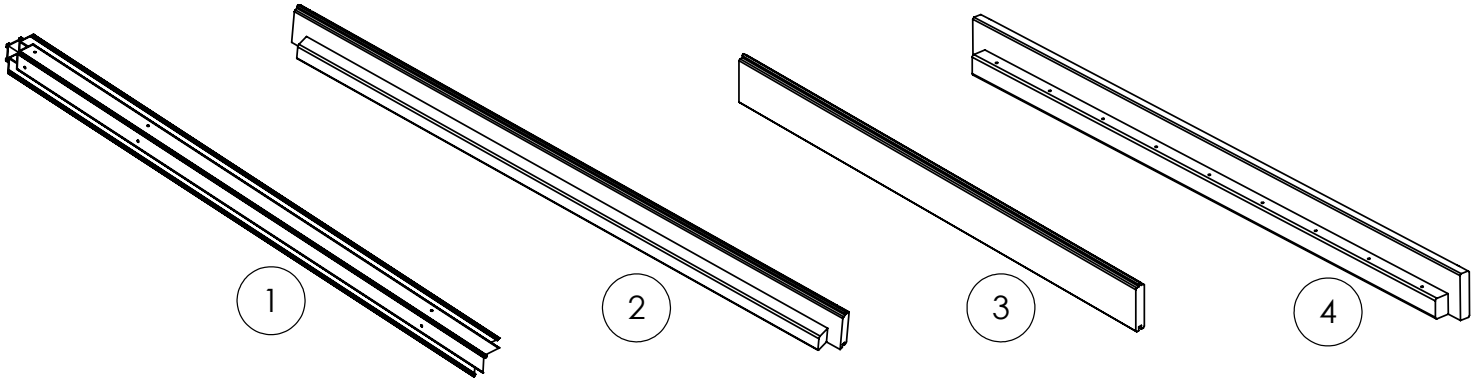
LISTE DES PIÈCES  
LISTADO DE PIEZAS



ITEM NO.	Part Number	Description	Dimensions	QTY.
1	17418	Post	34 7/8" (88.7cm)	4
2	17751	Long Floor Support	32 1/8" (81.6cm)	2
3	17752	Short Floor Support	19 1/2" (49.6cm)	2
4	17417	Long Shelf Support	32 1/8" (81.6cm)	2
5	17414	Short Shelf Support	19 1/2" (49.6cm)	2
6	17753	Long Wall Panel	32 1/8" (81.6cm)	2
7	17754	Short Wall Panel	19 1/2" (49.6cm)	2
8	17420	Corner Floor Board	20 1/8" (51.2cm)	2
9	17755	Narrow Floor Board	20 1/8" (51.2cm)	1
10	14719	Center Floor Board	20 1/8" (51.2cm)	8
11	17421	Shelf Board	20 1/8" (51.2cm)	8
12	20066	Round Head Screw	5/8" (1.6cm)	24
13	21007	Flat Top Screw	1 3/8" (3.5cm)	16
14	17020	Post Cap		8
15	21011	Liner		1

# PARTS LIST

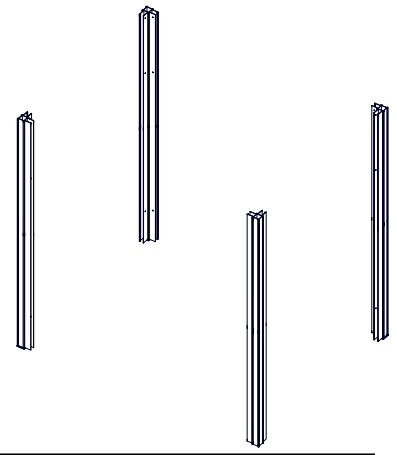
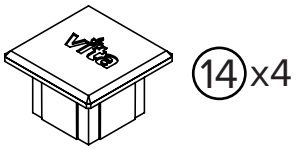
LISTE DES PIÈCES  
LISTADO DE PIEZAS



# ATTACH THE CAPS TO THE BOTTOM OF THE POSTS

INSÉREZ LES EMBOUTS AU BAS DES POTEAUX

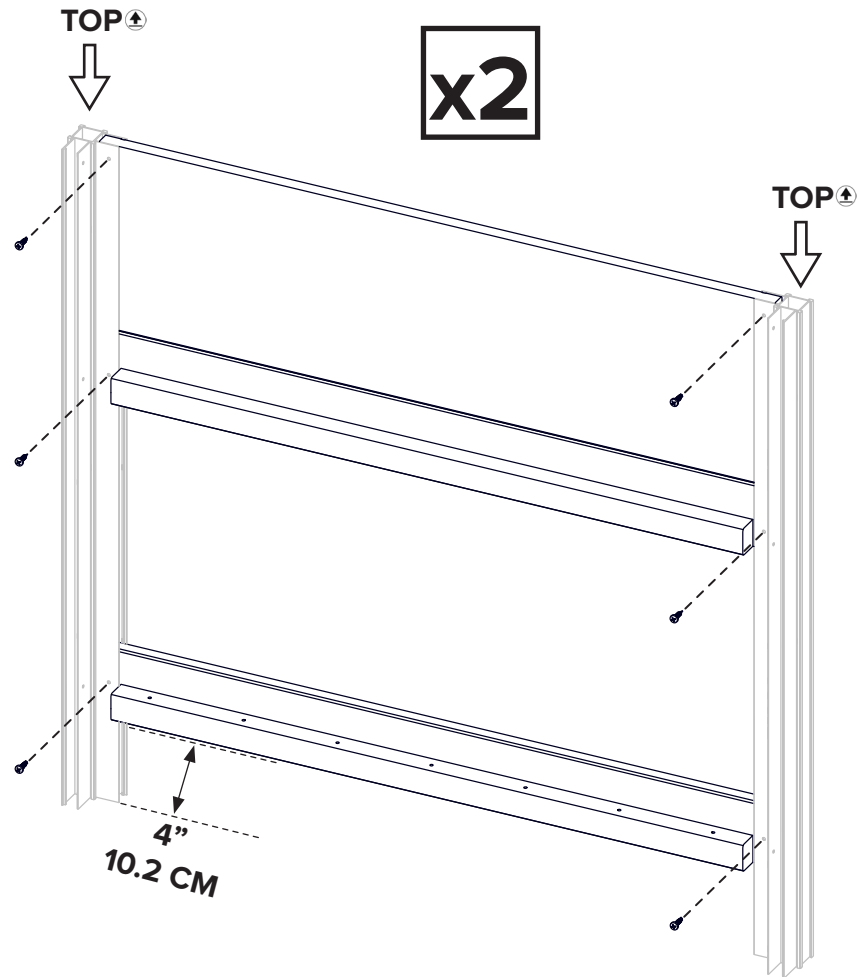
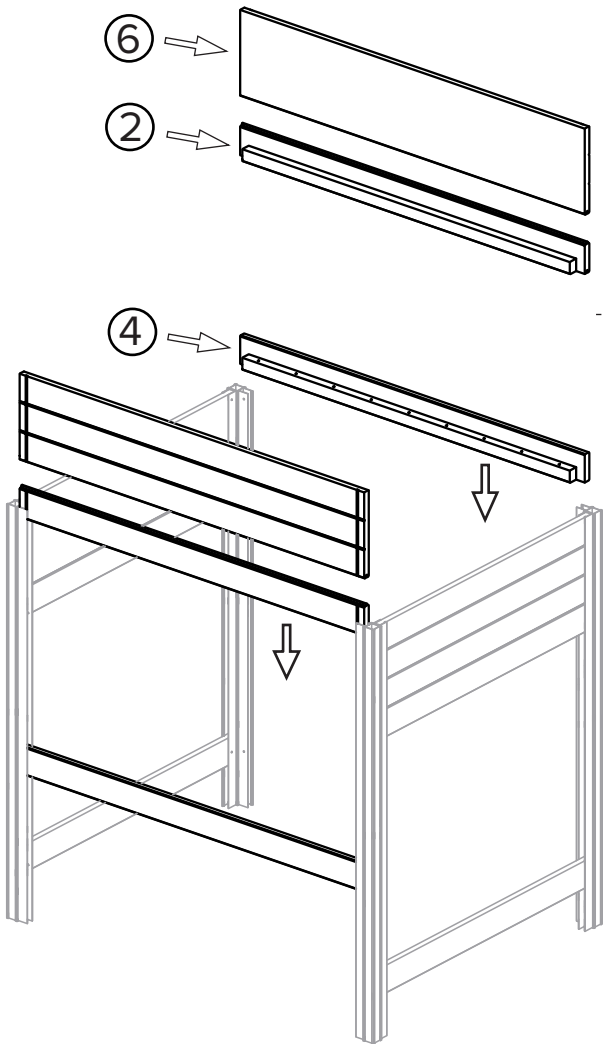
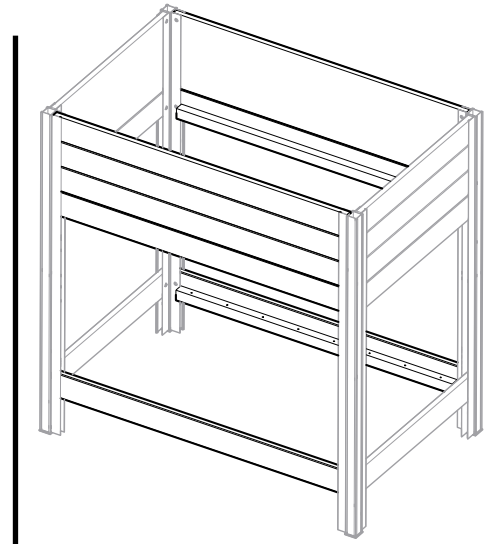
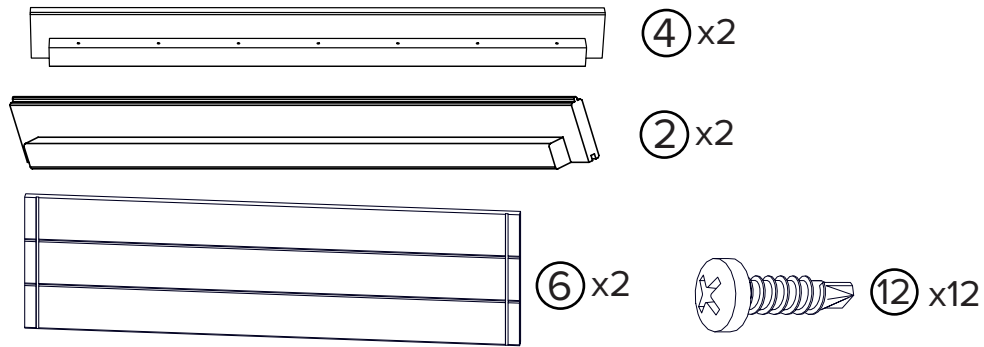
COLOQUE LAS TAPAS EN LOS EXTREMOS INFERIORES DE LOS POSTES



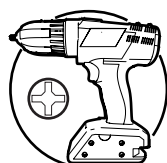


### 3 INSTALL THE FLOOR AND SHELF SUPPORTS, AND THE LONG WALL PANEL

INSTALLEZ LES SUPPORTS DE SOL ET D'ÉTAGÈRE, ET LE LONG PANNEAU MURAL  
INSTALE LOS SOPORTES DEL PISO Y DE LAS REPISAS, Y EL PANEL LARGO.



8

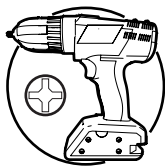
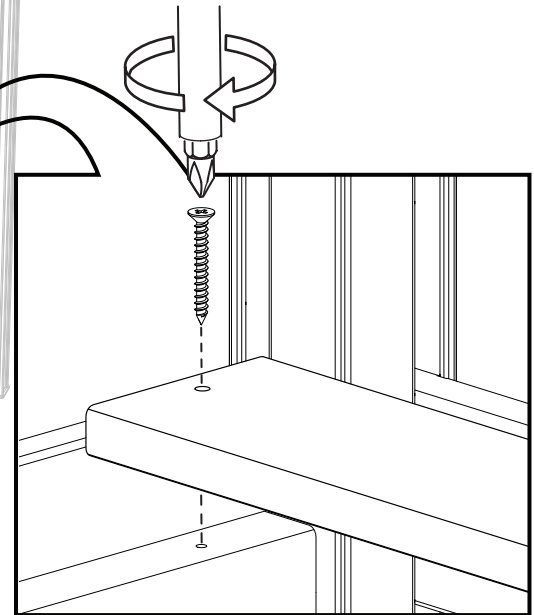
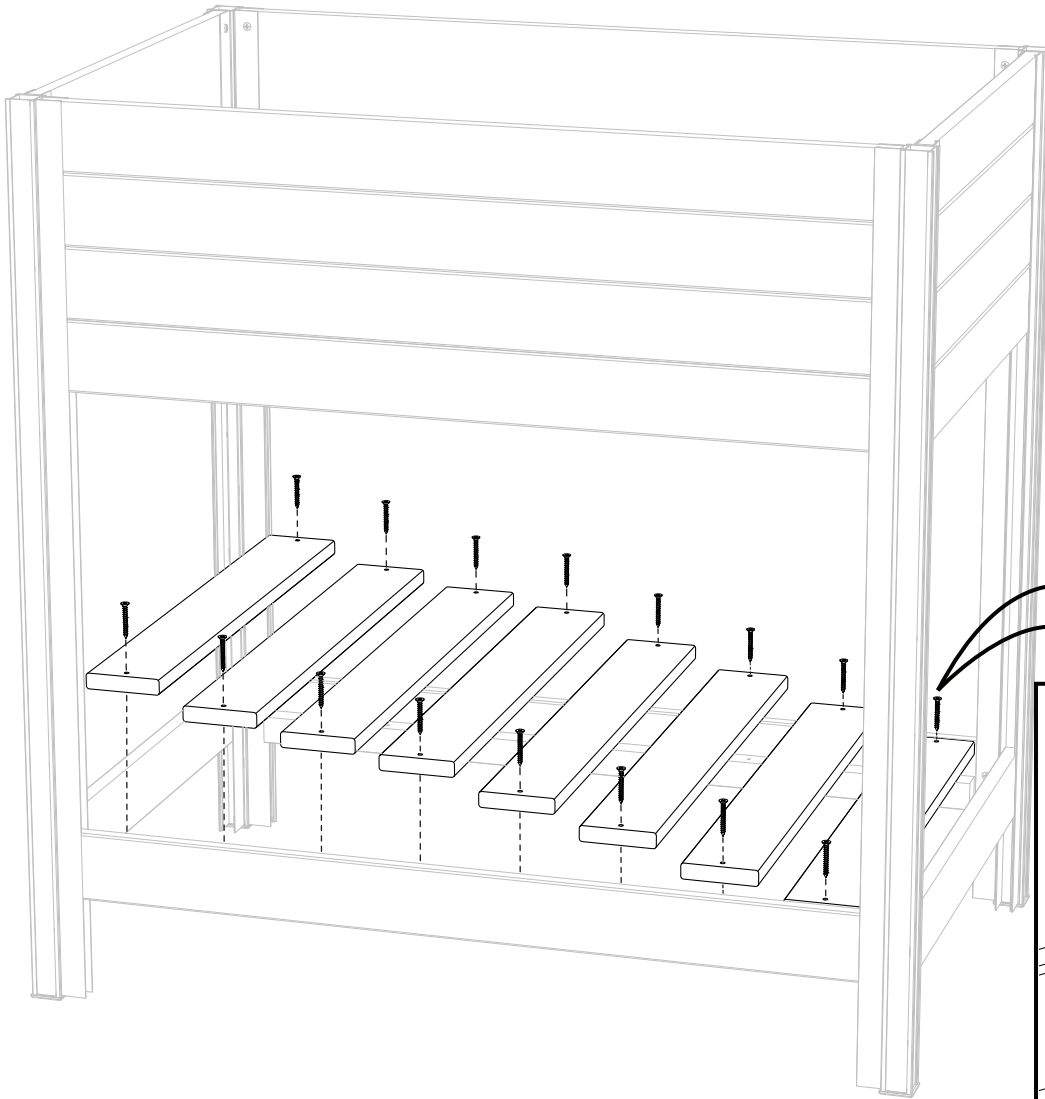
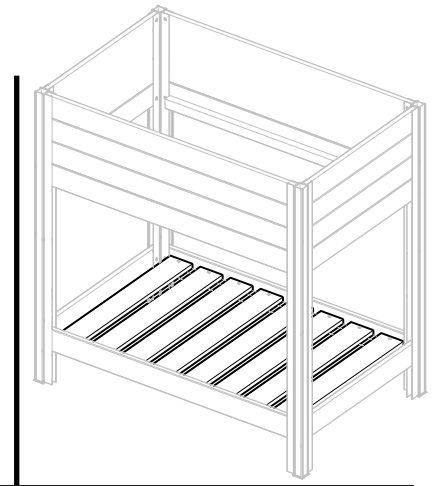
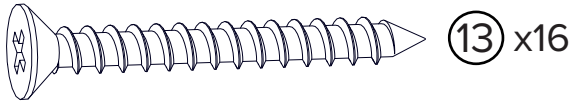
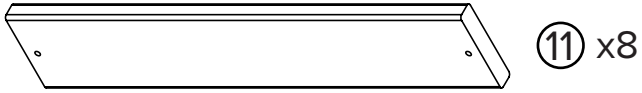


PHILIPS #2



# 4 PLACE AND SECURE THE SHELF BOARDS

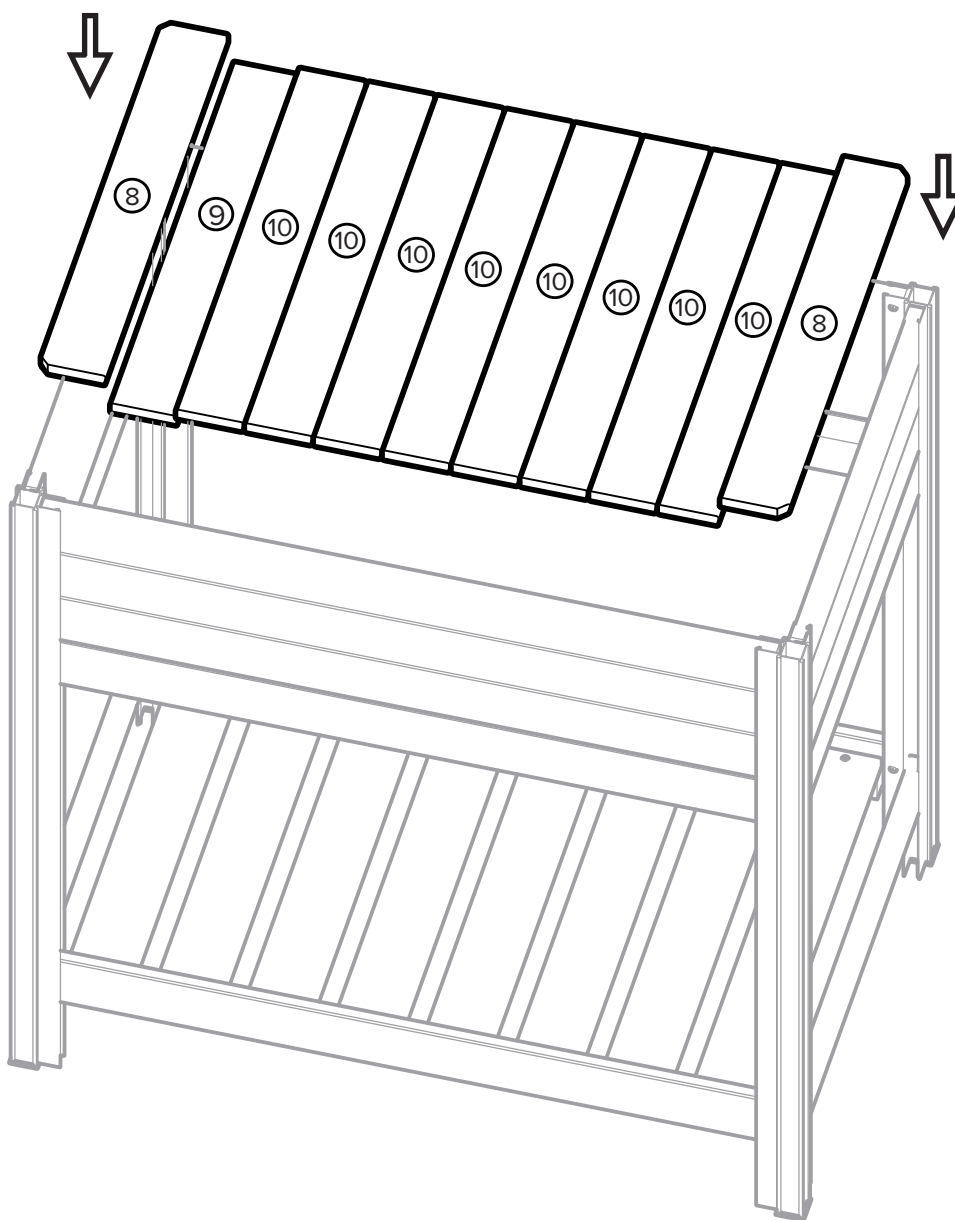
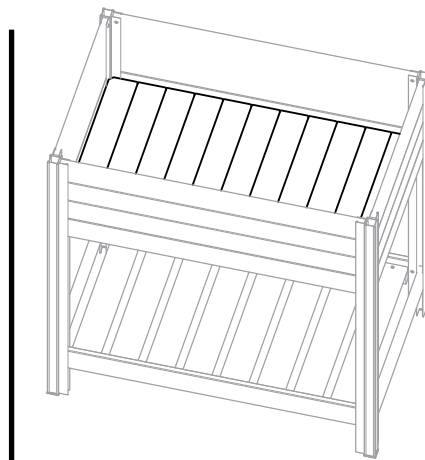
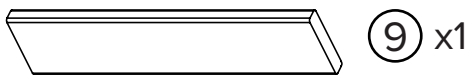
POSITIONNEZ ET FIXEZ LES PLANCHES DES ÉTAGÈRES  
COLOQUE Y ASEGURE LAS TABLAS DEL ESTANTE



PHILIPS #2

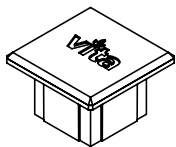
# 5 PLACE DOWN THE FLOOR BOARDS

METTEZ EN PLACE LES PLANCHES DU PLANCHER  
COLOQUE LAS TABLAS DE LA BASE

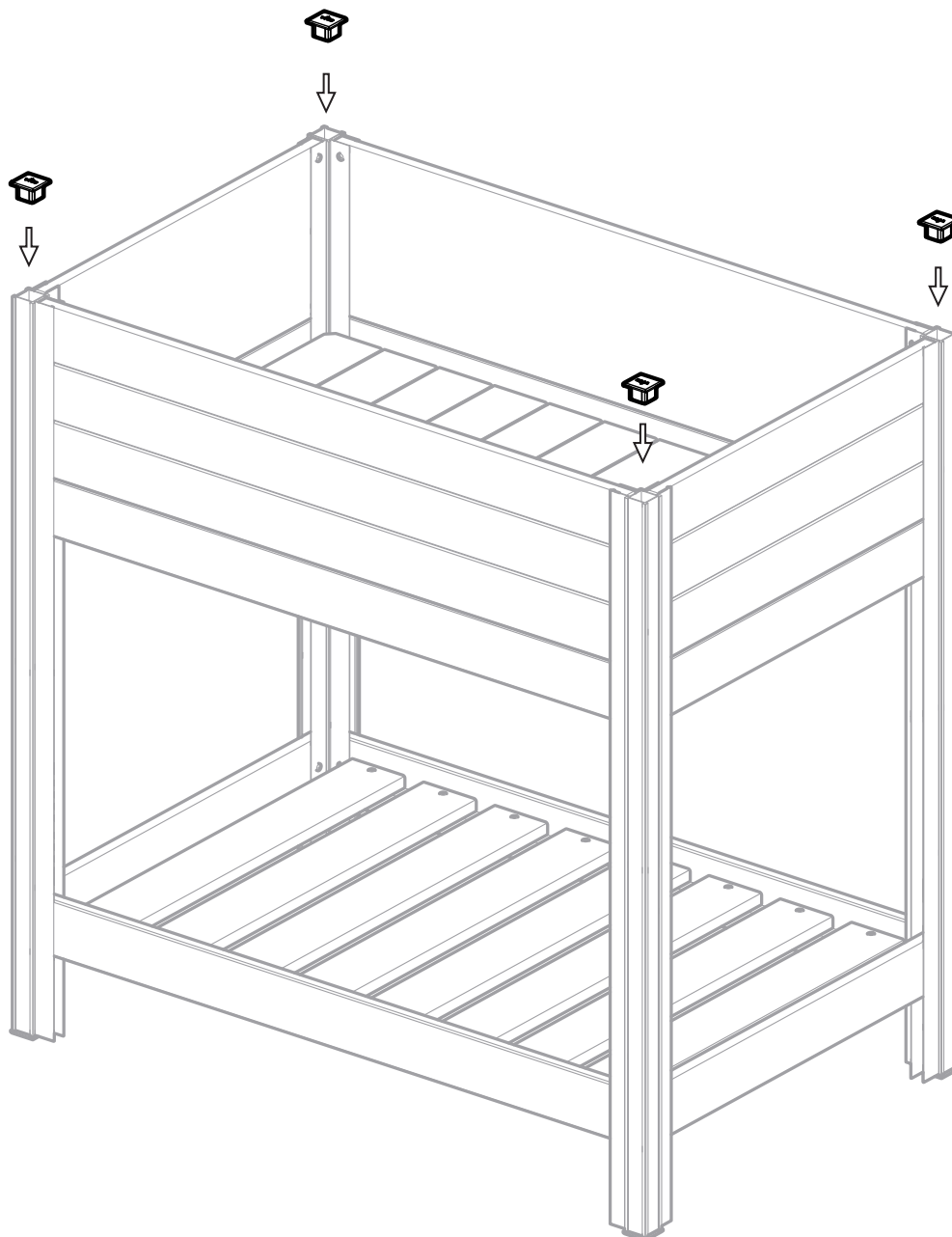
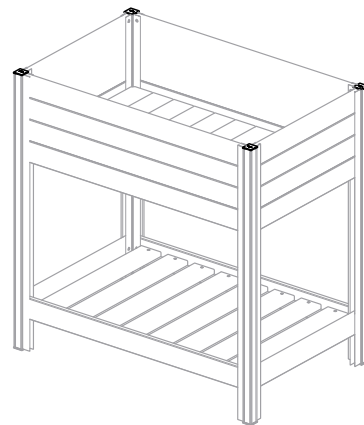


# 6 ATTACH THE POST CAPS

INSÉREZ LES EMBOUTS DE POTEAUX  
COLOQUE LAS TAPAS EN LOS POSTES

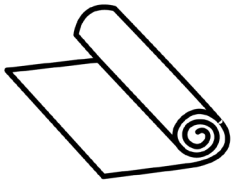


14 x4



# 7 INSERT THE LINER

METTEZ EN PLACE LE FILM DE DOUBLAGE  
INTRODUZCA EL REVESTIMIENTO



⑮ x1

