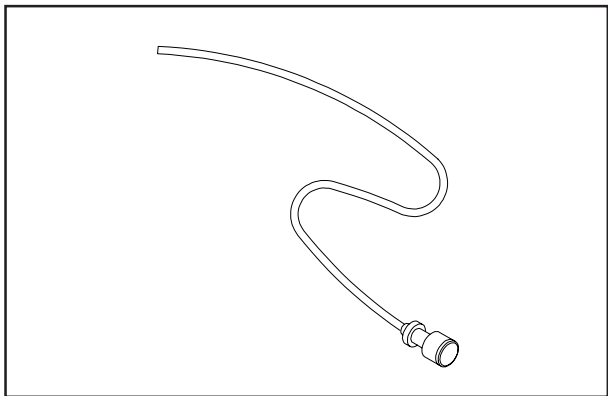
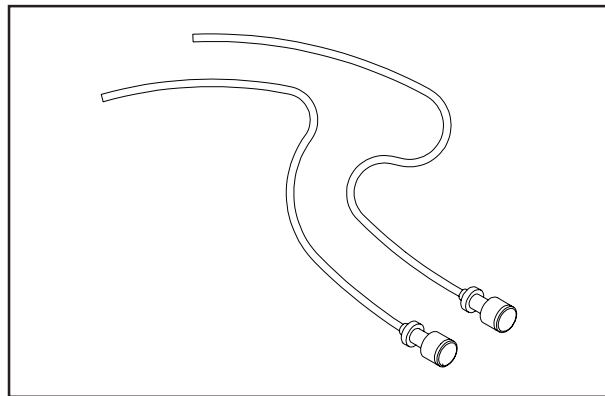


POWER CORD



MODEL: 05-0101
(One Cord)



MODEL: 05-0102
(Two Cords)

SAFETY INSTRUCTIONS

WARNING: To reduce the risk of serious injury, read the following Safety Instructions before using the **PILATES**.

1. Power Cords are for use with products produced by Stamina Products, Inc. Do not use Power Cords with products not produced by Stamina Products, Inc.
2. Use only one (1) **POWER CORD** with three cord models. New models may be added to the list below.
55-4280 Pilates 4000
55-4285 Pilates 4500 JP
55-4290 Pilates Performer JP
3. Use one (1) or two (2) **POWER CORDS** with four cord models. New models may be added to the list below.
55-4300 Pilates Performer
55-4650 Aero Pilates
55-5510 Pilates Premier
55-5510A Pilates Premier XP
55-5514 Pilates 5000
55-5515 Pilates
55-5515A Pilates

WARNING: Before starting any exercise or conditioning program you should consult with your personal physician to see if you require a complete physical exam. This is especially important if you are over the age of 35, have never exercised before, are pregnant, or suffer from any illness. **READ AND FOLLOW THE SAFETY PRECAUTIONS. FAILURE TO FOLLOW THESE INSTRUCTIONS CAN RESULT IN SERIOUS BODILY INJURY.**

This Product is Produced Exclusively by



2040 N. Alliance, Springfield, MO 65803
Customer Service Number
1 (800) 375-7520
parts@staminaproducts.com
www.staminaproducts.com

When calling for parts or service, please specify the following number:

05 - 0101 One Cord
05 - 0102 Two Cords

MADE IN CHINA

© 2004 Stamina Products, Inc.

ASSEMBLY INSTRUCTIONS

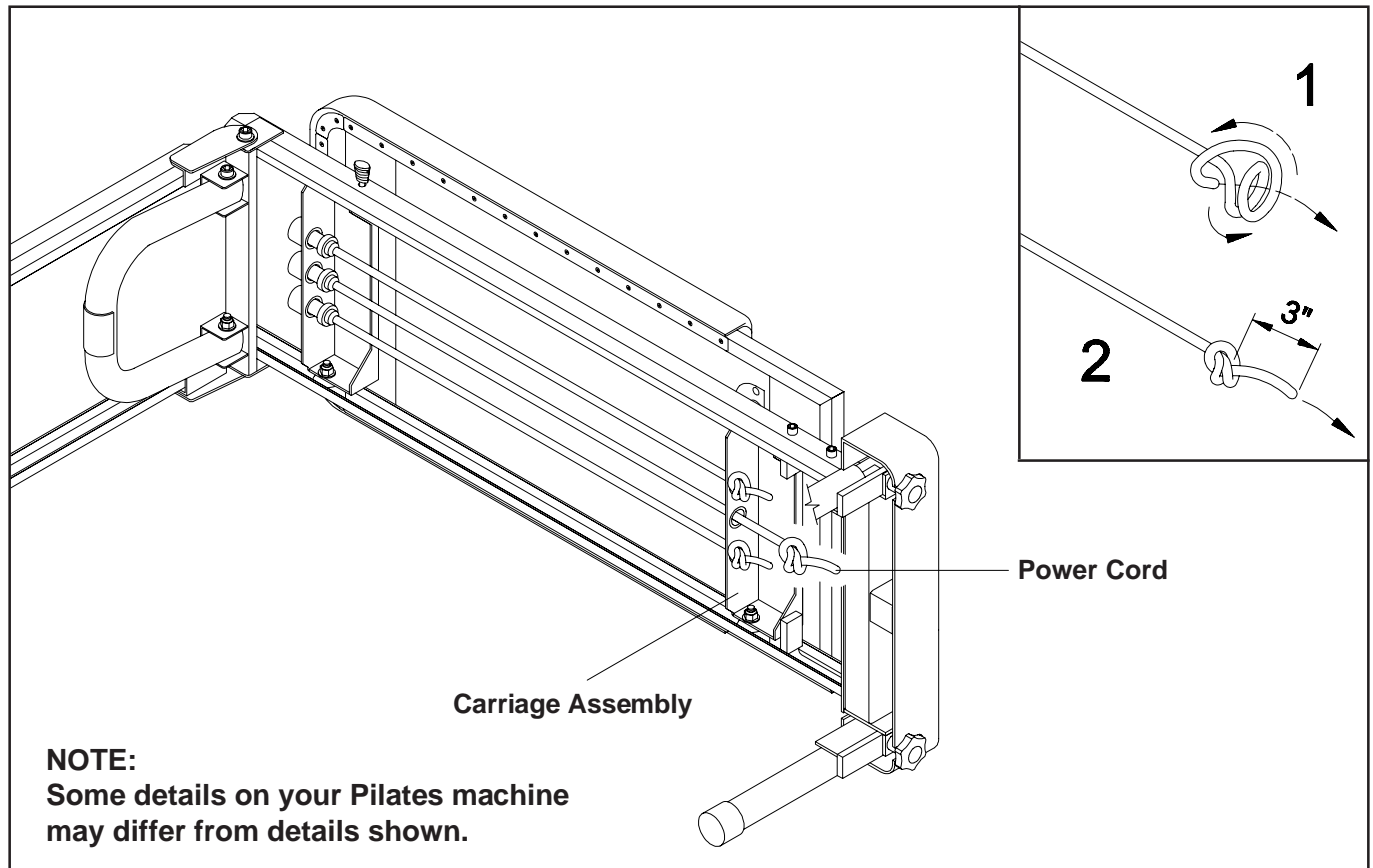
NOTE: Install the **POWER CORDS** in a balanced manner. On three cord machines, install the **POWER CORD** in the center position. On four cord machines, install the **POWER CORD** in one or both of the center positions.

STEP 1: Disconnect all **TENSION CORD ASSEMBLIES** from the slots in the **FRONT FRAME**.

STEP 2: Turn the Pilates machine on its side.

STEP 3: Untie and remove the existing Tension Cord Assembly. Make sure that bushings remain in place.

STEP 4: Install the new **POWER CORD**. Stretch the **POWER CORD** and tie the knot shown in the inset illustration below. Position the knot so that all slack is removed from the cord.



LIMITED WARRANTY

This product is warranted to be free from defects in material and workmanship and to be in perfect working order at the time of purchase. This warranty applies to personal, family or household use. This warranty does not apply to use in athletic clubs, health clubs, spas, gymnasiums, exercise facilities, and other public or semipublic facilities.

If the product should, for any reason, become defective within 90 days of purchase, the manufacturer will replace the product once it is returned to the manufacturer. This warranty does not apply to any damage caused by accident, return transit, alteration, abuse, or misuse. There are no other warranties other than those expressly set forth herein.

Products shipped to the manufacturer must be in the original shipping carton with freight prepaid. All expenses for repairing or replacing the product, including the cost of shipping it back to the original purchaser, will be covered by the manufacturer. This warranty gives you specific legal rights, and you may have other rights which vary from state to state.