

INSTALLATION | STRUCTURAL WOOD POST ANCHOR KIT 4x4 / 6x6

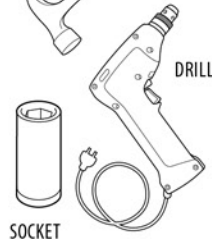
USE ON CONCRETE, STONE AND COMPOSITE SURFACES.  FOR RAIL, FENCE, PERGOLA POSTS AND MORE.

STRUCTURAL WOOD POST ANCHOR KIT



TOOLS NEEDED

HAMMER

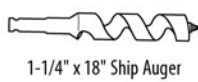


DRILL

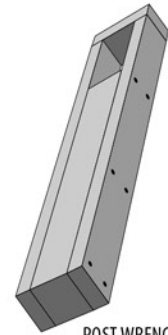
SOCKET



1/2" Twist bit



OPTIONAL



1 **START**

BORE 1-1/4" diameter hole to 11-1/2" deep.

2

TAP tube into bore with V-CUT facing side of post.

3

Insert threaded stud into nut inside tube.

Using a scrap of wood, TAP stud to set tube 1/16" to 1/8" below surface of post.

1/16" - 1/8"

TAP tube flush with bottom of post.

4

MARK the 2 locking pin holes location in Center of post as shown.

5

DRILL with 1/2" Twist bit to the opposite side of post.

6

TAP the 2 locking pins into holes and set them 1/8" inside of post.

TITAN STRUCTURAL WOOD POST ANCHOR KIT / TSPA35 / TSPA55

T 1-866-577-8868

TITAN BUILDING PRODUCTS
THE ART OF BUILDING
More beautiful decks... Real easy.



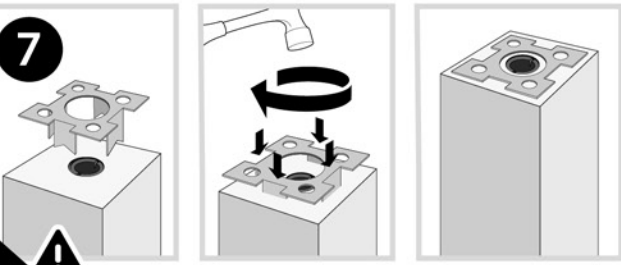
www.titanbp.com


INSTALLATION | STRUCTURAL WOOD POST ANCHOR KIT 4x4 / 6x6

USE ON CONCRETE, STONE AND COMPOSITE SURFACES. 

FOR RAIL, FENCE, PERGOLA POSTS AND MORE.

7



4x4 ONLY 

Strengthen softer woods. TAP the 4x4 SUPPORT BRACKET into base of 4x4 post in a circular pattern.

8



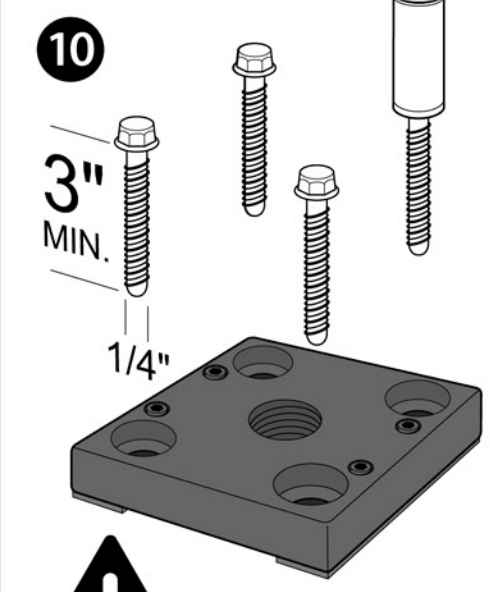
DRILL pilot holes with *masonry bit*.

9




INSERT 4 Set Screws and level the base with 1/8" allen key.

10

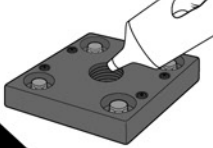


3" MIN.
1/4"

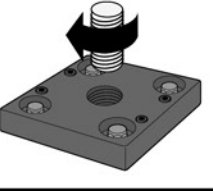


SCREW *Wedge Bolts*® down.

OPTIONAL

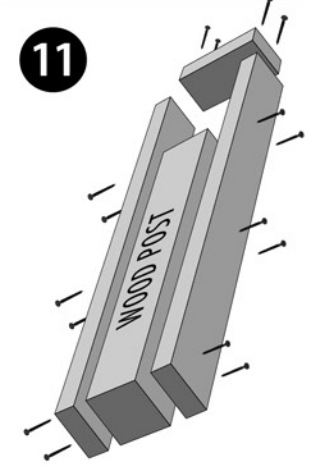


ADD some grease to the threads.



HAND TIGHTEN threaded stud until stud contacts substrate.

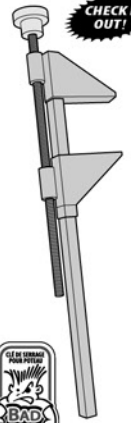
11



WOOD POST

Use scrap material and 3-1/2" screws to make *post wrench*.

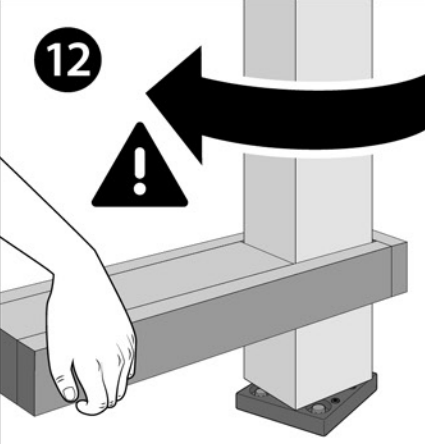
CHECK IT OUT!



BAD BOY POST WRENCH

Sold separately.

12



HAND TURN post on *threaded stud* to base. Once post contacts base, use *post wrench* to turn additional 180° maximum.

FINISH



APPLY wood filler and sand.

TITAN STRUCTURAL WOOD POST ANCHOR KIT / TSPA35 / TSPA55

PATENT NO

US 9,976,298

IN NO EVENT SHALL TITAN BUILDING PRODUCTS BE LIABLE FOR ANY LOSS OR DAMAGE, DIRECT OR OTHERWISE, WHICH RESULTS FROM THE IMPROPER INSTALLATION OR USE OF THIS PRODUCT. IF FOR ANY REASON TITAN BUILDING PRODUCTS BECOMES LIABLE FOR LOSS OR DAMAGE, DIRECT OR OTHERWISE, THE AGGREGATE LIABILITY OF TITAN BUILDING PRODUCTS SHALL BE LIMITED TO THE RETAIL PURCHASE PRICE OF THE PRODUCTS.

T 1-866-577-8868

TITAN BUILDING PRODUCTS
THE ART OF BUILDING
More beautiful decks... Real easy.



www.titanbp.com 