



OWNER'S MANUAL
MANUEL DU PROPRIÉTAIRE
MANUAL DEL PROPIETARIO



DISHWASHER Owner's Manual.....	1 - 14
LAVE-VAISSELLE Manuel du propriétaire.....	15 - 28
LAVAPLATOS Manual del propietario.....	29 - 42

MODEL • MODÈLE • MODELO
DDW631WDB
DDW631SDB

Welcome

Welcome to the Danby family. We are proud of our quality products and we believe in dependable service. We suggest that you read this owner's manual before plugging in your new appliance as it contains important operation information, safety information, troubleshooting and maintenance tips to ensure the reliability and longevity of your appliance.

Visit www.Danby.com to access self service tools, FAQs and much more. For additional assistance call **1-800-263-2629**.

Note the information below; you will need this information to obtain service under warranty. You must provide the original purchase receipt to validate your warranty and receive service.

Model Number: _____

Serial Number: _____

Date of Purchase: _____

Need Help?

Before you call for service, here are a few things you can do to help us serve you better.

Read this owner's manual:

It contains instructions to help you use and maintain your appliance properly.

If you receive a damaged appliance:

Immediately contact the retailer or builder that sold you the appliance.

Save time and money:

Check the troubleshooting section at the end of this manual before calling. This section will help you solve common problems that may occur.



1-800-26- Danby
(1-800-263-2629)



Important Safety Information

READ AND FOLLOW ALL SAFETY INSTRUCTIONS

GROUNDING INSTRUCTIONS

This appliance must be grounded. In the event of an electrical short circuit, grounding reduces the risk of electrical shock by providing an escape wire for the electrical current.

This appliance is equipped with a cord that has a grounding wire and grounding plug. The power cord must be plugged into an outlet that is properly grounded. If the outlet is a 2-prong wall outlet, it is your responsibility to have it replaced with a properly grounded 3-prong wall outlet. The serial rating plate indicates the voltage and frequency the appliance is designed for.

WARNING - Improper use of the grounding plug can result in a risk of electric shock. Consult a qualified electrician or service agent if the grounding instructions are not completely understood, or if doubt exists as to whether the appliance is properly grounded.

DO NOT USE AN EXTENSION CORD

Do not connect your appliance to extension cords or together with another appliance in the same wall outlet. Do not splice the power cord. Do not under any circumstances cut or remove the third ground prong from the power cord.

If the power supply cord is damaged, it must be replaced by the manufacturer, its service agent or similar qualified person in order to avoid hazard.

Ensure that component parts are replaced with like components and that servicing is done by factory authorized service personnel to minimize the risk of possible ignition due to incorrect parts or improper service.

This appliance is not intended for use by persons (including children) whose physical, sensory or mental capabilities may be different or reduced, or who lack experience or knowledge, unless such persons receive supervision or training to operate the appliance by a person responsible for their safety.

SAFETY REQUIREMENTS

- Children should be supervised to ensure that they do not play with the appliance.
- Do not stand, sit or lean on the door or dish rack. Do not place heavy items on the door when it is open.
- Do not touch the heating element during or immediately after use.
- Do not operate the appliance unless all enclosure panels are properly installed.
- Open door carefully during operation, water may leak. Proceed with caution as water may be hot.
- Do not wash plastic items unless they are marked dishwasher safe.
- Use only detergent and rinse additives that are designed for an automatic dishwasher.
- Never use soap, laundry detergent or hand washing detergent in the dishwasher.
- Keep detergent and rinse aid out of the reach of children.
- Check that the detergent dispenser is empty after completion of the wash cycle.
- Dishwasher detergents are strongly alkaline and can be extremely dangerous if swallowed. Avoid contact with the skin and eyes.
- Remove the door of the appliance when removing from service or discarding.
- This appliance should be connected to the water mains using new hose sets. Old hoses should not be reused.
- The maximum permissible inlet water pressure is 1Mpa.
- The minimum permissible inlet water pressure is 0.04Mpa.

SAVE THESE INSTRUCTIONS!

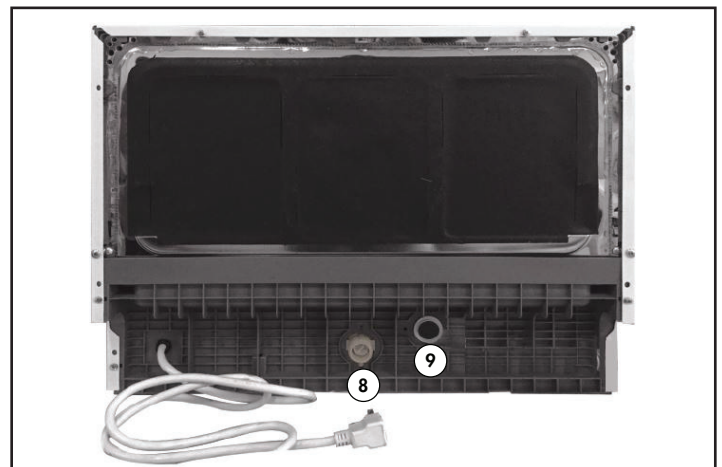
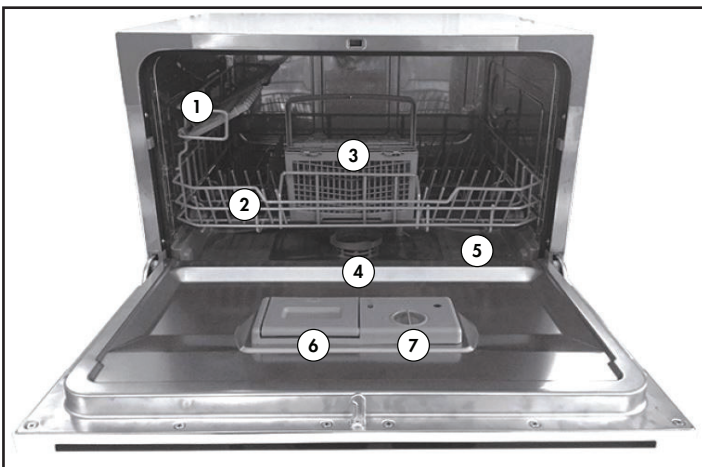
INSTALLATION INSTRUCTIONS

CONTROL PANEL



- 1. Power Button:** Press to turn the appliance on or off
- 2. Lock Button:** Press and hold for 5 seconds to lock or unlock the buttons on the control panel
- 3. Delay Button:** Press to delay the start of the chosen program
- 4. Program Indicator:** Illuminates to show which program is running
- 5. Time Display:** Shows how much time is remaining or how much time until delayed start
- 6. Extra Cleaning Indicator:** Illuminates if extra cleaning program is chosen
- 7. Lock Indicator:** Illuminates if control panel lock is engaged
- 8. Extra Drying Indicator:** Illuminates if extra drying program is chosen
- 9. Express Indicator:** Illuminates if express program is chosen
- 10. Rinse Aid Warning Light:** Illuminates when the rinse aid dispenser is empty
- 11. Program Ending Indicator:** Illuminates when a program has finished
- 12. Water Indicator:** Illuminates when an issue arises with the water supply
- 13. Program Selector Button:** Press to chose a program
- 14. Function Button:** Press to select additional functions, extra drying, extra cleaning or express
- 15. Start/Pause Button:** Press to begin the chosen program or to pause a program that is running

FEATURES



- 1. Cup Shelf**
- 2. Basket**
- 3. Cutlery Basket**
- 4. Filter Assembly**
- 5. Spray Arms**
- 6. Detergent Dispenser**
- 7. Rinse Aid Dispenser**

- 8. Inlet Hose Connection**
- 9. Drain Hose Connection**

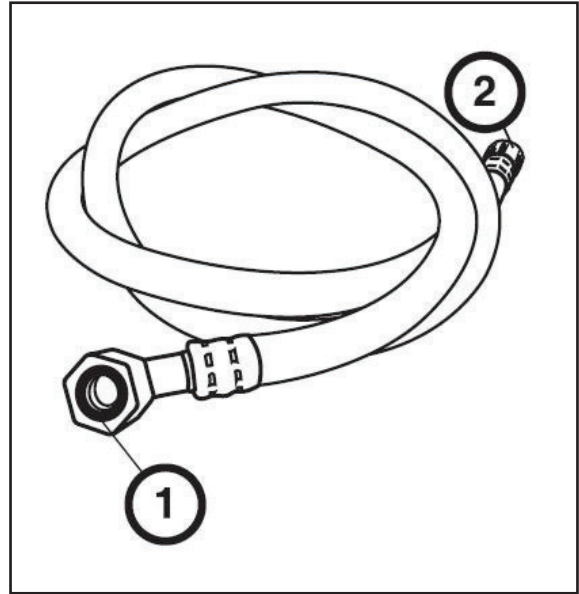
INSTALLATION INSTRUCTIONS

WATER CONNECTION

The dishwasher uses a Quick Connect assembly to connect to the water source. Ensure that all the following parts are present before beginning the connection process.

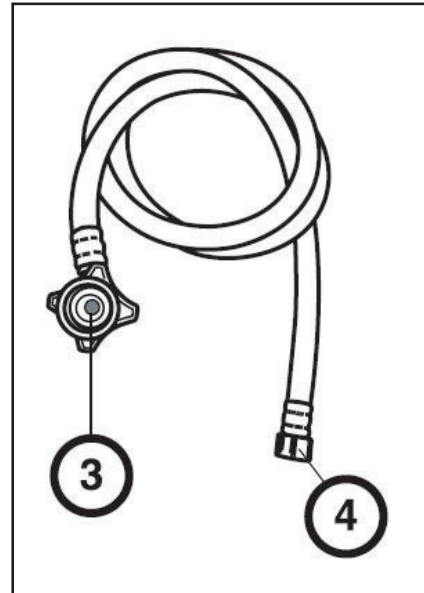
Drain Hose

1. Drain Connection
2. Quick Connect Connection



Inlet Hose

3. Inlet Connection
4. Quick Connect Connection



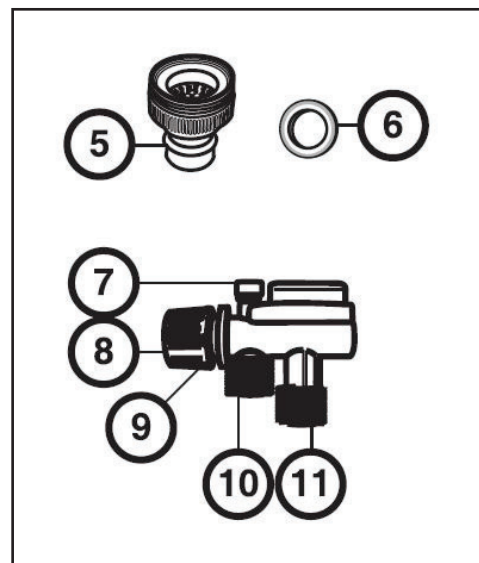
Only use the hoses provided with the appliance. Using longer hoses will affect the performance of the unit.

Faucet Adapter

5. Faucet Adapter
6. Faucet Washer x3 (2 thick washers and 1 thin washer)

Quick Connect

7. Pressure Relief Valve
8. Faucet Adapter Connection
9. Locking Collar
10. Inlet Hose Connection
11. Drain Hose Connection



INSTALLATION INSTRUCTIONS

CONNECTING THE DISHWASHER

The appliance should be placed on a solid, flat counter, near the water source.

To connect the dishwasher to the water source:

1. Remove the aerator from the faucet and screw the faucet adapter onto the faucet. The faucet adapter is compatible with both male (outside threaded) or female (inside threaded) faucets.
2. The faucet washer may or may not be necessary. Once the faucet adapter is attached to the faucet, turn on the water tap to test the connection. If there are leaks at the tap adapter connection, add the faucet washer and reattach. If there are still leaks when using the faucet washer, wrap teflon tape around the faucet or the tap adapter and reattach.
3. Pull down the locking collar on the Quick Connect and push the end of the Quick Connect onto the end of the faucet adapter. When the Quick Connect clicks over the faucet adapter, release the locking collar.
4. Attach the water inlet hose and the drain hose to the back of the appliance. Ensure that both connections are tightened and connected to the correct ports.
5. Attach the water inlet hose and the drain hose to the Quick Connect. Ensure that the hoses are connected to the correct points on the Quick Connect. The drain hose should connect to the longer port on the Quick Connect. The inlet hose should connect to the shorter port on the Quick Connect.
6. Do not turn on the water source until you are ready to run a wash program. Once the water source is turned on, the inlet hose is pressurized and filled with water. The water is released into the unit once the wash program begins.

DISCONNECTING THE DISHWASHER

When the wash program is complete, turn off the water source before attempting to disconnect the appliance.

1. Press the pressure relief valve (red button) on the Quick Connect to release any remaining water from the water inlet hose.

WARNING: Failure to relieve the water pressure before disconnecting the Quick Connect from the faucet will result in pressurized water spray at the connection point. This water can be very hot and could cause burns or scalding.

2. Disconnect the inlet hose and the drain hose from the Quick Connect. Allow any water left in the hoses to drain before proceeding.

Note: For convenience, the drain hose and inlet hose can remain attached to the Quick Connect when not in use. Make sure that all water is drained from the hoses before storing.

3. Disconnect the inlet hose and the drain hose from the back of the appliance.
4. Pull down the locking collar on the Quick Connect and pull downward to remove it from the faucet adapter.
5. The faucet adapter can be removed or it can remain on the faucet as it does contain an aerator. If the faucet adapter is removed, remember to replace the aerator on the faucet.

Note: Hard water conditions will adversely affect the performance of the dishwasher. Hard water will deposit lime or white scaling onto the stainless steel surface of the dishwasher tub, the faucet aerator and the internal filter assembly. It is recommended to periodically run a rinse cycle with 1 cup (250 ml) of white vinegar while the dishwasher is empty to remove any scaling.

OPERATING INSTRUCTIONS

LOADING THE DISHWASHER BASKET

- Only place dishes in this appliance that are marked as dishwasher safe.
- Use a mild detergent.

Items that should not be placed in a dishwasher

- Cutlery with wooden, bone china or mother-of-pearl handles.
- Plastic items that are not heat resistant.
- Items that have been repaired with glue that is not heat resistant.
- Pewter, copper or steel items.
- Wooden platters.
- Items made from synthetic fibres.
- Items with glazed patterns may fade if machine washed frequently.

Tips for efficient loading

- Load hollow items such as cups, glasses or pans with the opening downward so that water cannot collect in the container.
- Items must not lie inside one another or cover one another.
- To avoid damage to glasses, they should not touch.
- Sharp items of cutlery such as carving knives should be loaded horizontally in the basket to avoid injury when unloading.
- Do not overload the appliance.

Dishwasher Basket

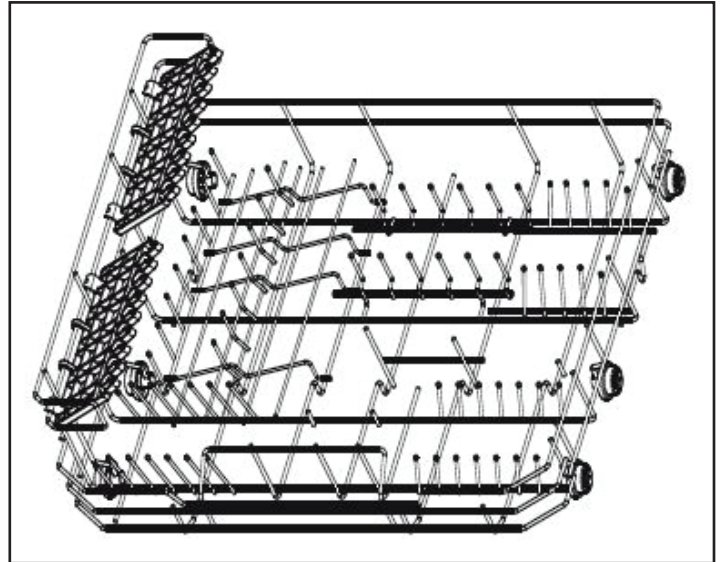


Plate racks can be stowed horizontally if large items are being loaded into the basket.

An example of a fully loaded dishwasher basket is below.

LOADING THE CUTLERY BASKET

Cutlery should be placed in the cutlery basket with the handles facing down. Ensure that cutlery items do not nest inside of one another as this can affect cleaning performance.

Sharp or pointed items should be placed in the cutlery basket with points facing down to avoid injury when unloading.

Do not place excessively small items into the dishwasher as they could fall through the basket and impact the operation of the appliance.



OPERATING INSTRUCTIONS

DETERGENT DISPENSER

The detergent dispenser must be filled before the start of each wash cycle. Consult the **Wash Cycle Table** (page 9) for specific information on the correct amount of detergent to use with each cycle.

This appliance requires less detergent and rinse aid than a conventional dishwasher. Generally, only one tablespoon of detergent will be required for a normal wash load. More heavily soiled items may require more detergent.

Always add the detergent just before starting the wash cycle. Adding the detergent to the appliance too soon can cause it to become damp and it may not dissolve properly.

If the detergent dispenser is closed, press the latch to open it.

- The left detergent compartment can hold a maximum of 15 g of detergent.
- The right detergent compartment can hold a maximum of 25 g of detergent.

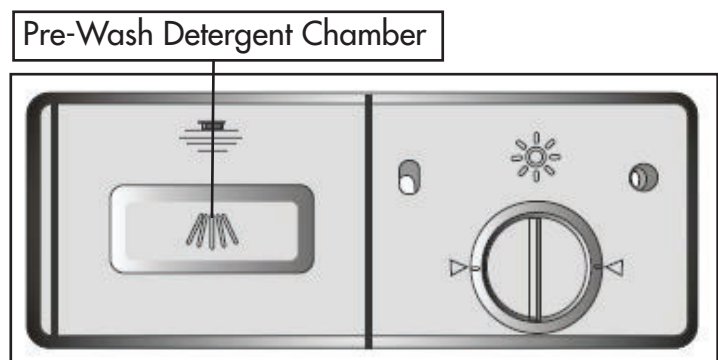
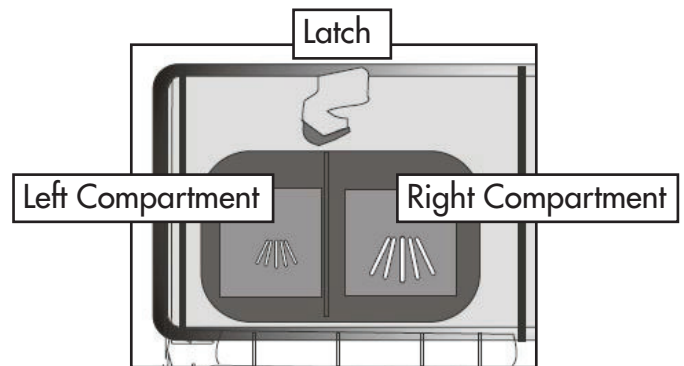
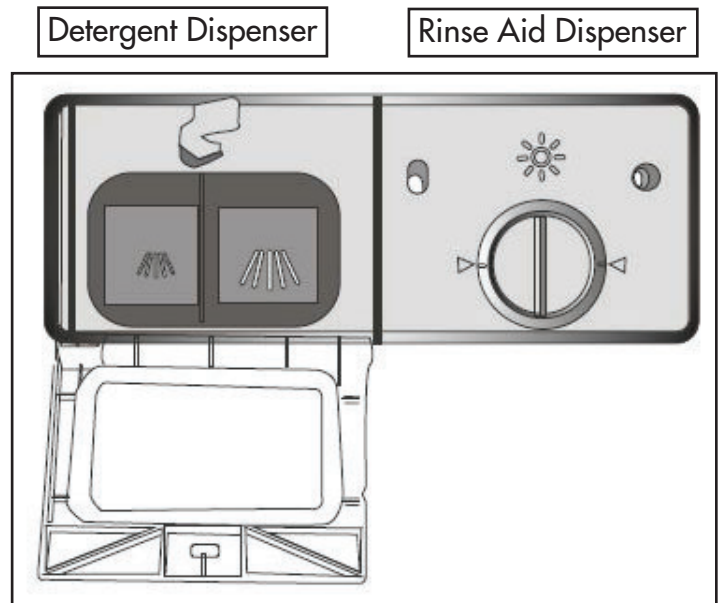
Ensure that the detergent dispenser is closed before closing the door of the appliance.

If the dishes are heavily soiled, additional detergent can be placed in the pre-wash detergent chamber on the outside of the lid.

Note about detergent tablets and gel packs

Detergent tablets and gel packs of different brands dissolve at different speeds. Some detergent tablets or gel packs cannot dissolve and develop their full cleaning power in a compact dishwasher.

For this reason, it is not recommended to use detergent tablets or gel packs with this appliance.



Dishwasher detergent is corrosive.
Keep out of reach of children.

OPERATING INSTRUCTIONS

RINSE AID DISPENSER

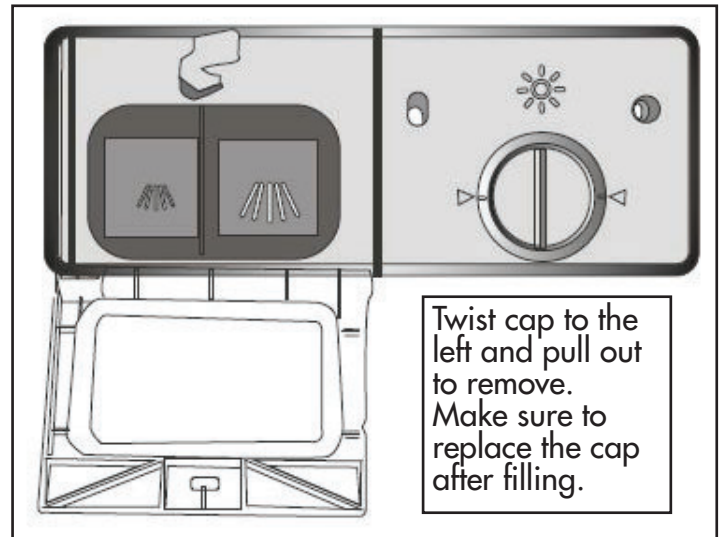
Rinse aid can be used to prevent water droplets or streaks from forming on dishes. The rinse aid will be released automatically during the final rinse.

The rinse aid dispenser is located inside the door, next to the detergent dispenser. To fill the rinse aid dispenser, open the cap and pour rinse aid into the dispenser until the level indicator on the right turns black. Be careful not to overfill the dispenser. The total volume of the rinse aid dispenser is 110 ml.

Do not put any other substance in the rinse aid dispenser as this can damage the appliance.

Detergent Dispenser

Rinse Aid Dispenser



As the rinse aid diminishes, the size of the black dot on the rinse aid level indicator will change. Once the black dot has become clear, the rinse aid dispenser should be refilled.

Rinse Aid Indicator

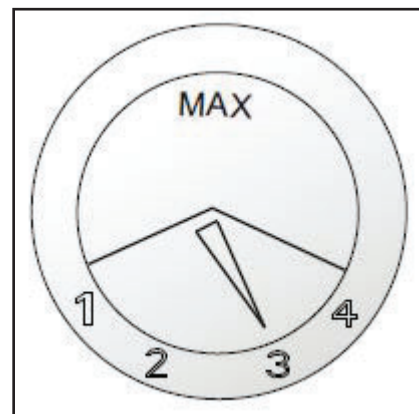
- Full
- ◐ 3/4 full
- ◑ 1/2 full
- ◒ 1/4 full
- Empty

The rinse aid dispenser has four settings. The recommended setting is "3".

If dishes are not drying properly or if water spots are forming, turn the setting to "4".









If there is a sticky residue on dishes after washing, turn the setting to "1" or "2".

Adjust the amount of rinse aid that will be dispensed by changing the setting on the knob inside the dispenser.



OPERATING INSTRUCTIONS

WASH CYCLE TABLE Press the program button to select the desired wash program.

Program	Cycle Description	Cycle Breakdown	Detergent	Running Time	Energy Use	Water Use
Heavy 	For heavily soiled loads such as pots and pans	Pre-Wash Pre-Wash (50°C) Wash (55°C) Wash (50°C) Rinse Rinse (68°C)	18 grams	100 minutes	0.49 kWh	12.5 litres
Normal 	For normally soiled loads; standard daily cycle	Pre-Wash Pre-Wash Wash (52°C) Rinse Rinse (65°C)	18 grams	110 minutes	0.36 kWh	10.8 litres
Baby Care 	For lightly soiled loads	Pre-Wash Pre-Wash (50°C) Wash (55°C) Rinse Rinse Rinse (70°C)	18 grams	90 minutes	0.51 kWh	12.5 litres
ECO 	Energy conserving cycle for lightly soiled loads	Pre-Wash Pre-Wash (50°C) Wash (50°C) Rinse Rinse (60°C)	18 grams	75 minutes	0.27 kWh	10 litres
Glass 	For lightly soiled glassware	Pre-Wash Wash (50°C) Rinse Rinse (60°C)	15 grams	70 minutes	0.28 kWh	8.5 litres
Speed 	A fast cycle for lightly soiled loads	Pre-wash Pre-wash (50°C) Wash (50°C) Rinse Rinse (55°C)	15 grams	45 minutes	0.31 kWh	10.5 litres
Rinse 	Rinse cycle only	Pre-Wash Rinse	N/A	24 minutes	0.03 kWh	4.3 litres
Mini-Party 	For lightly soiled loads	Wash (45°C) Rinse Rinse (50°C)	15 grams	20 minutes	0.18 kWh	6.5 litres

OPERATING INSTRUCTIONS

STARTING A WASH CYCLE

1. Load the dishwasher as per the loading instructions.
2. Add detergent and rinse aid as required.
3. Ensure the dishwasher is connected to a water supply and that the water is turned on.
4. Insert the plug into the power supply.
5. Close the dishwasher door and press the power button to turn on the appliance.
6. Press the Program button repeatedly to choose the desired wash program. The programs will cycle in the following order: Heavy -> Normal -> Baby Care -> ECO -> Glass -> Speed -> Rinse -> Mini-Party
7. Press the Start/Pause button to begin the cycle.

ADDING A FORGOTTEN DISH

A forgotten dish can be added to a running cycle any time before the detergent dispenser has opened. If the detergent has already been released into the appliance, it is recommended not to add more dishes as they will not receive adequate cleaning.

To add a dish:

1. Press the Start/Pause button to pause the cycle.
2. Open the door slowly as the spray arm may still be turning.
3. Add the forgotten dishes.
4. Close the door.
5. Press the Start/Pause button to resume the cycle. The appliance can take up to 10 seconds to restart.

ENDING A WASH CYCLE

When a wash cycle is completed, a buzzer will sound for 8 seconds, then stop. The appliance will automatically turn off after 30 minutes of inactivity.

To turn off and unload the dishwasher:

1. Press the power button to turn the appliance off.
2. Turn off the water supply and unplug the appliance from the power source.
3. Allow the appliance to remain undisturbed with the door closed for approximately 5-10 minutes at the end of a cycle. Opening the door too quickly while the internal temperature is still very hot can cause flash drying which can leave spots and streaks on dishes.
4. Open the door carefully as the air inside the appliance can still be hot. Leave the door ajar for a few minutes before removing dishes to allow them to cool and dry. Hot dishes can be sensitive to knocks and may break; they should be allowed to cool before removing from the appliance.

Note: There is no drying cycle in this appliance. Dishes should be left inside the unit for a short period after a cycle so that the warm air inside the appliance can assist in the drying process. It is normal for dishes to still be wet at the end of a cycle.

Note: It is normal for a small amount of water to remain inside the appliance at the end of a cycle. This water will evaporate and does not need to be manually drained.

CARE & MAINTENANCE

FILTER SYSTEM

The filter system removes food particles from the wash water and traps them. It is highly recommended to empty and clean the filters after every wash cycle.

There are three parts to the filter system:

1. **Coarse filter:** This filter traps larger items such as pieces of bone or glass that could block the drain.

To clean this filter, squeeze the top and lift it out of the assembly. Discard any items in this filter and then rinse with warm water.

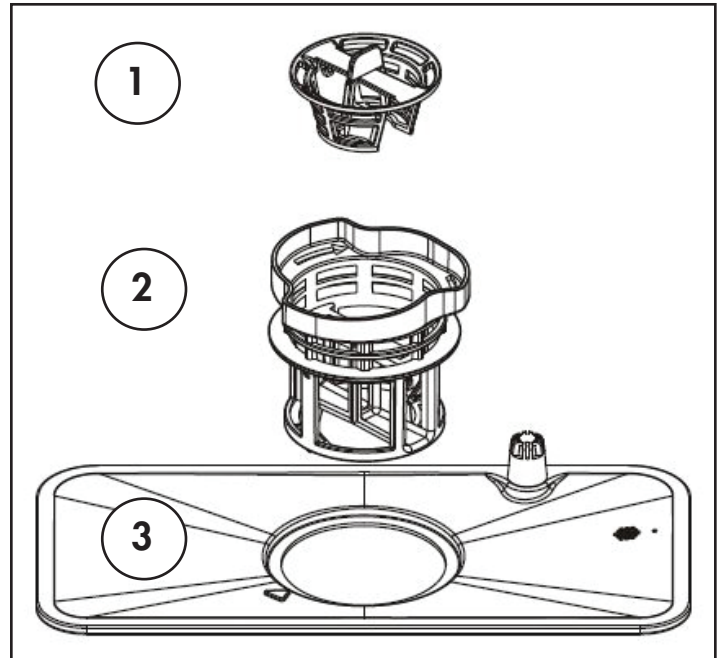
2. **Fine filter:** This filter traps food particles and residue and prevents it from being re-deposited on the dishes during the rinse cycle.

To clean this filter, grip the top and pull it out of the assembly. Discard any items in this filter and then rinse with warm water.

3. **Main filter:** This filter holds the smallest food particles.

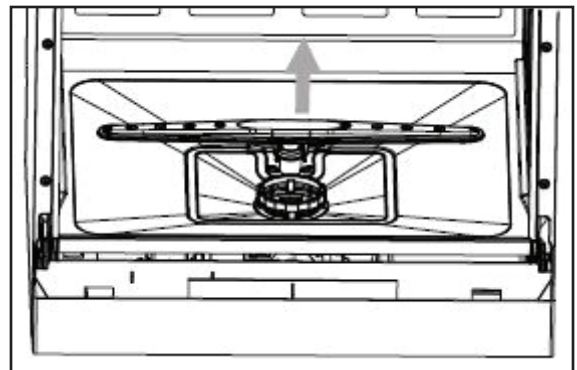
It is not necessary to manually clean this filter as particles trapped by this filter are pulverized by a special jet on the spray arm and are washed down the drain.

Note: All three pieces of the filter may come out of the unit in one piece and can be difficult to separate. It is still possible to rinse and clean the filters as one piece and then replace inside the appliance.



SPRAY ARM

The spray arm can be removed from the appliance by pulling gently upwards. Rinse the spray arm with warm water to remove any debris that can clog the nozzles. Replace the spray arm in the appliance by pushing downward until it clicks into place. Ensure that the spray arm movement is not impeded before running another cycle.



CARE & MAINTENANCE

CLEANING

- Unplug the appliance from the power source before completing any cleaning or maintenance.
- After every wash, turn off the water supply and leave the door slightly open so that moisture and odors are not trapped inside the appliance.
- Only use a soft cloth and mild detergent to clean the appliance. Never use solvents or abrasive cleaning agents as this can damage the appliance.
- To remove water spots from the interior of the appliance, use a soft cloth dampened with a small amount of vinegar.
- If the appliance will not be used for a long period of time, it is recommended to run a normal wash cycle with the dishwasher empty and then leave the door open until the interior of the appliance is completely dry. This will help the door seals last longer and will help prevent odors from forming inside the appliance.
- Clean the door seals with a damp sponge regularly to prevent odors from food particles that can become trapped in the door seal.

ERROR CODES

E1: Not enough water getting into the unit

- The water source is not turned on
- Water intake is restricted
- Water pressure is too low

E3: Not reaching correct temperature

- Malfunction of heating element

E4: Water overflow

- Drain malfunction
- Drain clog

Ed: Control board malfunction

- Internal communication error

If the appliance displays any error code, a power reset may resolve the issue. Unplug the appliance, wait approximately 5 minutes and then plug the unit back in.

TROUBLESHOOTING

Danby Consumer Care: 1-800-263-2629

Hours of operation:

Monday to Thursday 8:30 am - 6:00 pm Eastern Standard Time

Friday 8:30 am - 4:00 pm Eastern Standard Time

Information in this manual is subject to change without notice.

PROBLEM	POSSIBLE CAUSE
No power	<ul style="list-style-type: none">• A fuse may be blown or the circuit breaker tripped• Power surge• Plug not fully inserted into the wall outlet• Door not closed correctly
Water not drained from dishwasher	<ul style="list-style-type: none">• Kink in drain hose• Filter clogged• Drain pump malfunction
Detergent left in the dispenser	<ul style="list-style-type: none">• Dishes blocking dispenser from fully opening; unit may be over loaded
Suds left in the appliance	<ul style="list-style-type: none">• Too much detergent or wrong kind of detergent• Too much rinse aid
White film or cloudiness on dishes or interior tub	<ul style="list-style-type: none">• Hard water minerals• Too much detergent• Not enough rinse aid
Noise inside the tub while running	<ul style="list-style-type: none">• The spray arm is hitting an item in the basket• An item has fallen out of the basket and is on the bottom of the wash tub
Dishes are not clean	<ul style="list-style-type: none">• Dishes were loaded incorrectly• The wash program was not powerful enough• Not enough detergent• Items are blocking the spray arm; unit may be over loaded• Filter clogged
Dishes are not drying	<ul style="list-style-type: none">• Dishes were loaded incorrectly• Too many dishes were loaded• Not enough rinse aid• Dishes removed too quickly
Water leak at faucet adapter	<ul style="list-style-type: none">• Faucet washer may be too thick; remove the thick washer from the faucet adapter and replace it with the thin washer from the accessory bag

LIMITED "CARRY IN" WARRANTY

This quality product is warranted to be free from manufacturer's defects in material and workmanship, provided that the unit is used under the normal operating conditions intended by the manufacturer.

This warranty is available only to the person to whom the unit was originally sold by Danby Products Limited (Canada) or Danby Products Inc. (U.S.A.) (hereafter "Danby") or by an authorized distributor of Danby, and is non-transferable.

TERMS OF WARRANTY

Plastic parts are warranted for thirty (30) days from the date of purchase, with no extensions provided.

First 12 months During the first **twelve (12) months**, any functional parts of this product found to be defective, will be repaired or replaced, at warrantor's option, at no charge to the original purchaser.

To obtain service Contact the dealer where the unit was purchased, or contact the nearest authorized Danby service depot, where service must be performed by a qualified service technician. If service is performed on the unit by anyone other than an authorized service depot, all obligations of Danby under this warranty shall be void.

It is the responsibility of the purchaser to transport the appliance to the nearest authorized service depot.

Transportation charges to and from the service location are not protected by this warranty and are the responsibility of the purchaser.

Nothing within this warranty shall imply that Danby will be responsible or liable for any spoilage or damage to food or other contents of this appliance, whether due to any defect of the appliance, or its use, whether proper or improper.

EXCLUSIONS

Save as herein provided, by Danby, there are no other warranties, conditions, representations or guarantees, express or implied, made or intended by Danby or its authorized distributors and all other warranties, conditions, representations or guarantees, including any warranties, conditions, representations or guarantees under any Sale of Goods Act or like legislation or statute is hereby expressly excluded. Save as herein provided, **Danby shall not be responsible for any damages to persons or property, including the unit itself, howsoever caused or any consequential damages arising from the malfunction of the unit and by the purchase of the unit, the purchaser does hereby agree to indemnify and hold harmless Danby from any claim for damages to persons or property caused by the unit.**

GENERAL PROVISIONS

No warranty or insurance herein contained or set out shall apply when damage or repair is caused by any of the following:

- 1) Power failure.
- 2) Damage in transit or when moving the appliance.
- 3) Improper power supply such as low voltage, defective house wiring or inadequate fuses.
- 4) Accident, alteration, abuse or misuse of the appliance such as inadequate air circulation in the room or abnormal operating conditions (ie. extremely high or low room temperature).
- 5) Use for commercial or industrial purposes (ie. If the appliance is not installed in a domestic residence).
- 6) Fire, water damage, theft, war, riot, hostility, acts of God such as hurricanes, floods etc.
- 7) Service calls resulting in customer education.
- 8) Improper Installation (ie. Building-in of a free standing appliance or using an appliance outdoors that is not approved for outdoor application, including but not limited to: garages, patios, porches or anywhere that is not properly insulated or climate controlled).

Proof of purchase date will be required for warranty claims; retain bills of sale. In the event that warranty service is required, present the proof of purchase to our authorized service depot.

Warranty Service
Carry In

Danby Products Limited
PO Box 1778, Guelph, Ontario, Canada N1H 6Z9
Telephone: (519) 837-0920 FAX: (519) 837-0449

1-800-263-2629
04/17

Danby Products Inc.
PO Box 669, Findlay, Ohio, U.S.A. 45840
Telephone: (419) 425-8627 FAX: (419) 425-8629

Bienvenue

Bienvenue à la famille Danby. Nous sommes fiers de la qualité de nos produits et nous croyons en le service fiable. Nous vous suggérons de lire ce manuel d'utilisation avant de brancher votre nouvel appareil car il contient des informations importantes sur l'utilisation, la sécurité, le dépannage et la maintenance, afin d'assurer la fiabilité et la longévité de votre appareil.

Visitez www.Danby.com pour accéder aux outils d'autoservice, aux FAQ et bien plus encore. Pour obtenir de l'aide supplémentaire, composez **1-800-263-2629**.

Notez les informations ci-dessous; Vous aurez besoin de cette information pour obtenir un service sous garantie.
Vous devez fournir le reçu d'achat original pour valider votre garantie et recevoir le service.

Numéro de modèle: _____

Numéro de serie: _____

Date d'achat: _____

Besoin d'assistance?

Avant d'appeler pour service, voici quelques choses que vous pouvez faire pour nous aider à mieux vous servir.

Lire ce manuel du propriétaire:

Il contient des instructions pour vous aider à utiliser et à maintenir votre appareil correctement.

Si vous recevez un appareil endommagé:

Contactez immédiatement le revendeur ou l'entrepreneur qui vous a vendu l'appareil.

Gagnez du temps et de l'argent:

Avant d'appeler pour service, consultez la section de dépannage à la fin de ce manuel. Cette section vous aidera à résoudre les problèmes courants pouvant survenir.



1-800-26- Danby
(1-800-263-2629)



Consignes de sécurité importantes

LIRE ET SUIVRE TOUTES LES INSTRUCTIONS DE SÉCURITÉ

INSTRUCTIONS DE MISE À LA TERRE

Cet appareil doit être mis à la terre. En cas de court-circuit, la mise à la terre réduit les risques de décharge électrique en fournissant un échappatoire au courant électrique.

Cet appareil est équipé d'un cordon doté d'un fil de mise à la terre et d'une prise de mise à la terre. Le cordon d'alimentation doit être branché sur une prise correctement mise à la terre. Si la sortie est une prise murale à 2 broches, il est de votre responsabilité de la remplacer par une prise murale à 3 broches correctement mise à la terre. La plaque signalétique en série indique la tension et la fréquence auxquelles l'appareil est conçu.

AVERTISSEMENT - Une utilisation incorrecte de la fiche de mise à la terre peut entraîner un risque de choc électrique. Consultez un électricien qualifié ou un agent de service si les instructions de mise à la terre ne sont pas complètement comprises, ou s'il existe un doute quant à savoir si l'appareil est correctement mis à la terre.

N'UTILISER JAMAIS DE FIL DE RALLONGE

Ne connectez pas votre appareil aux rallonges ou avec un autre appareil dans la même prise murale. Ne pas épisser le cordon d'alimentation. Ne coupez ou retirez en aucun cas la troisième broche du cordon d'alimentation.

Si le cordon d'alimentation est endommagé, il doit être remplacé par le fabricant, son agent de service ou une personne qualifiée similaire afin d'éviter tout risque.

Assurez-vous que les composants sont remplacés par des composants similaires et que l'entretien est effectué par le personnel de maintenance autorisé en usine pour minimiser le risque d'allumage en raison de pièces incorrectes ou d'un service incorrect.

Cet appareil n'est pas destiné à être utilisé par des personnes (y compris des enfants) dont les capacités physiques, sensorielles ou mentales peuvent être différentes ou réduites, ou qui ont de l'expérience ou des connaissances, à moins que ces personnes ne soient surveillées ou formées pour faire fonctionner l'appareil par une personne responsable de leur sécurité.

EXIGENCES DE SÉCURITÉ

- Les enfants devraient être surveillés pour s'assurer qu'ils ne jouent pas avec l'appareil.
- Ne pas tenir debout, assis ou appuyer sur la porte ou le porte-vaisselle. Ne placez pas d'objets lourds sur la porte lorsqu'il est ouvert.
- Ne pas toucher l'élément chauffant pendant ou immédiatement après l'utilisation.
- Ne faites pas fonctionner l'appareil à moins que tous les panneaux de l'enceinte ne soient correctement installés.
- Ouvrez la porte avec précaution pendant le fonctionnement, l'eau peut fuir. Procéder avec prudence car l'eau peut être chaude.
- Ne pas laver les articles en plastique à moins qu'ils soient marqués comme étant au lave-vaisselle.
- Utilisez uniquement des additifs de détergence et de rinçage conçus pour un lave-vaisselle automatique.
- N'utilisez jamais de savon, détergent à lessive ou détergent à la main dans le lave-vaisselle.
- Garder le détergent et le rinçage hors de la portée des enfants.
- Vérifiez que le distributeur de détergent est vide après la fin du cycle de lavage.
- Les détergents de la lave-vaisselle sont fortement alcalins et peuvent être extrêmement dangereux en cas d'ingestion. Éviter le contact avec la peau et les yeux.
- Retirez la porte de l'appareil en cas de démontage ou de rejet.
- Cet appareil doit être connecté au réseau d'eau à l'aide de nouveaux ensembles de tuyaux. Les anciens tuyaux ne devraient pas être réutilisés.
- La pression maximale d'eau d'entrée autorisée est de 1 Mpa.
- La pression minimale d'eau d'entrée autorisée est de 0,04 Mpa.

GARDER CES INSTRUCTIONS!

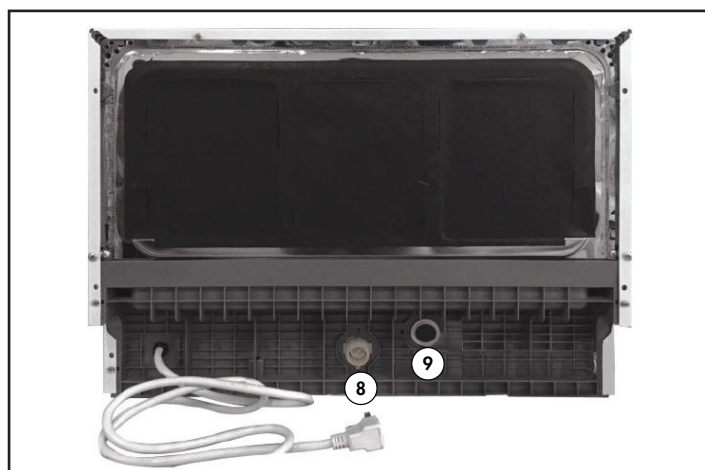
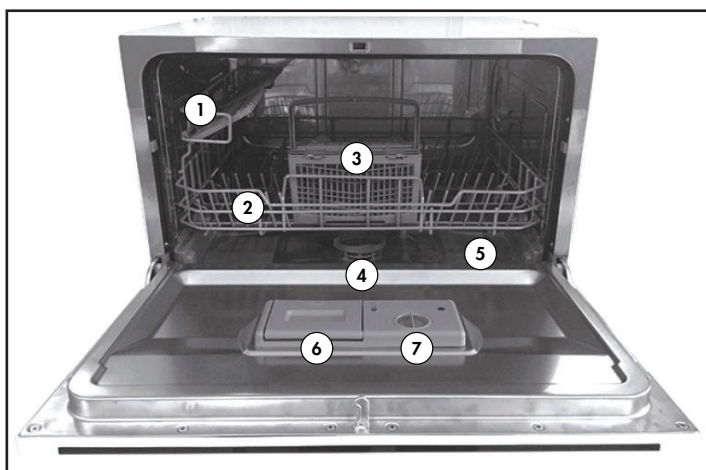
INSTRUCTIONS D'INSTALLATION

PANNEAU DE CONTRÔLE



- 1. Bouton d'alimentation:** Appuyez sur pour allumer ou éteindre l'appareil
- 2. Bouton de verrouillage:** Maintenez la touche enfoncée pendant 5 secondes pour verrouiller ou déverrouiller les boutons sur le panneau de commande
- 3. Bouton délai:** Appuyez sur pour retarder le démarrage du programme choisi
- 4. Indicateur de programme:** S'allume pour montrer quel programme fonctionne
- 5. Affichage du temps:** Montre combien de temps reste ou combien de temps jusqu'à début tardif
- 6. Indicateur de nettoyage supplémentaire:** S'allume si le programme de nettoyage supplémentaire est choisi
- 7. Indicateur de verrouillage:** S'allume si le verrouillage du panneau de commande est activé
- 8. Indicateur de séchage supplémentaire:** S'allume si le programme de séchage supplémentaire est choisi
- 9. Indicateur express:** S'allume si le programme express est choisi
- 10. Agent de rinçage avertissement lumière:** Illumine lorsque le distributeur de produit de rinçage est vide
- 11. Indicateur de fin de programme:** S'allume quand un programme a fini
- 12. Indicateur d'eau:** S'allume lorsqu'un problème survient avec l'approvisionnement en eau
- 13. Bouton sélecteur de programme:** Appuyez sur pour choisir un programme
- 14. Bouton de fonction:** Appuyez sur pour sélectionner des fonctions supplémentaires, un séchage supplémentaire, un nettoyage supplémentaire ou un express
- 15. Bouton Démarrer/Pause:** Appuyez sur pour commencer le programme choisi ou pour mettre en pause un programme en cours d'exécution

CARACTÉRISTIQUES



- 1. Étagère pour gobelets**
- 2. Panier**
- 3. Panier à couverts**
- 4. Ensemble de filtre**
- 5. Bras de pulvérisation**
- 6. Distributeur de détergent**
- 7. Distributeur d'agent au rinçage**

- 8. Raccord de tuyau d'entrée**
- 9. Raccord de tuyau de vidange**

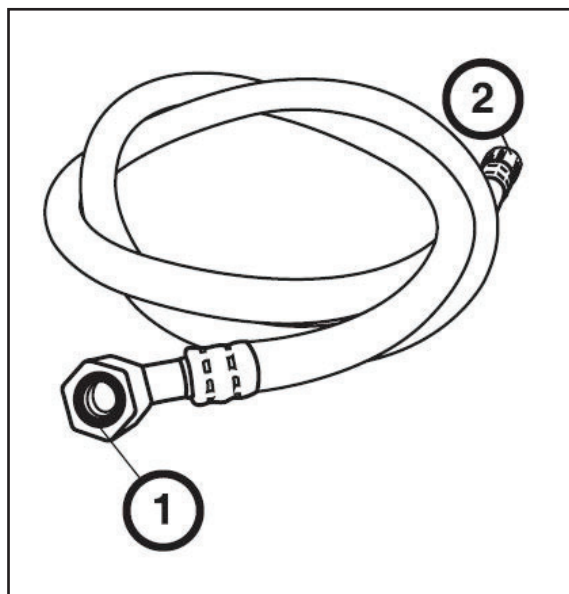
INSTRUCTIONS D'INSTALLATION

RACCORDEMENT D'EAU

Le lave-vaisselle utilise un assemblage à connexion rapide pour se connecter à la source d'eau. Assurez-vous que toutes les pièces suivantes sont présentes avant de commencer la procédure de connexion.

Tuyau de drainage

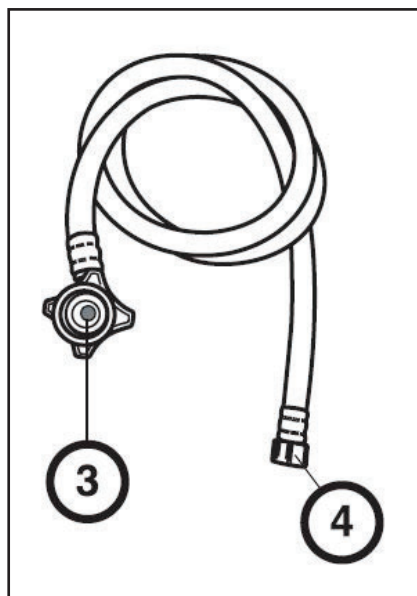
1. Connexion de vidange
2. Connexion connexion rapide



Tuyau d'admission

3. Connexion d'entrée
4. Connexion connexion rapide

Utilisez uniquement les tuyaux fournis avec l'appareil. L'utilisation de flexibles plus longs affectera les performances de l'appareil.

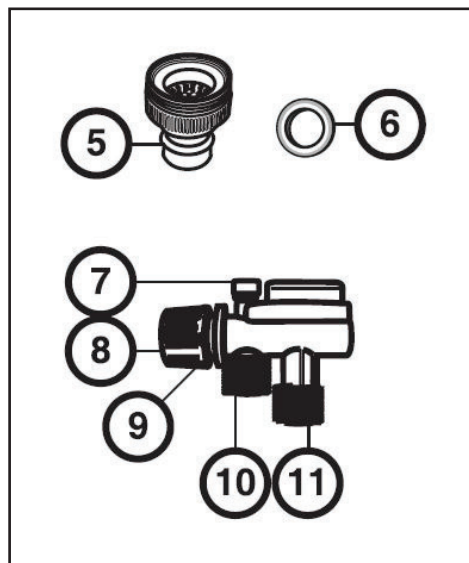


Adaptateur de robinet

5. Adaptateur de robinet
6. Rondelle de robinet x3 (2 rondelles épaisses et 1 rondelle mince)

Connexion rapide

7. Soupape de décharge de pression
8. Connexion de l'adaptateur de robinet
9. Collier de verrouillage
10. Raccord de tuyau d'admission
11. Raccord de tuyau de vidange



INSTRUCTIONS D'INSTALLATION

CONNECTER LE LAVE-VAISSELLE

L'appareil doit être placé sur un compteur solide et plat, près de la source d'eau.

Pour connecter le lave-vaisselle à la source d'eau:

1. Retirez l'aérateur du robinet et visser l'adaptateur du robinet sur le robinet. L'adaptateur de robinet est compatible avec à la fois mâle (fileté à l'extérieur) ou femelle (fileté à l'intérieur) robinets.
2. La rondelle de robinet peut ou non être nécessaire. Une fois que l'adaptateur du robinet est attaché au robinet, allumez l'eau pour tester la connexion. S'il y a des fuites à la connexion de l'adaptateur de prise, ajoutez la rondelle du robinet et rebranchez-la. S'il y a encore des fuites lors de l'utilisation de la rondelle de robinet, enveloppez le ruban en téflon autour du robinet ou l'adaptateur du robinet et rebranchez-le.
3. Retirez le collier de verrouillage de la connexion rapide et enfoncez la fin de la connexion rapide à la fin de l'adaptateur du robinet. Lorsque la connexion rapide clique sur l'adaptateur du robinet, relâchez le collier de verrouillage.
4. Fixez le tuyau d'admission d'eau et le tuyau de vidange à l'arrière de l'appareil. Assurez-vous que les deux connexions sont serrées et connectées aux ports corrects.
5. Fixez le tuyau d'entrée d'eau et le tuyau de vidange à la connexion rapide. Assurez-vous que les tuyaux sont connectés aux points corrects sur la connexion rapide. Le tuyau de vidange doit se connecter au port plus long de la connexion rapide. Le tuyau d'entrée doit se connecter au port plus court de la connexion rapide.
6. Ne pas allumer la source d'eau jusqu'à ce que vous soyez prêt à exécuter un programme de lavage. Une fois que la source d'eau est allumée, le tuyau d'admission est pressurisé et rempli d'eau. L'eau est relâchée dans l'appareil une fois que le programme de lavage commence.

DÉBRANCHER LE LAVE-VAISSELLE

Lorsque le programme de lavage est terminé, éteignez la source d'eau avant d'essayer de débrancher l'appareil.

1. Appuyez sur la soupape de surpression (bouton rouge) de la connexion rapide pour libérer de l'eau restante du tuyau d'entrée d'eau.

AVERTISSEMENT: Le fait de ne pas décharger la pression de l'eau avant de débrancher la connexion rapide du robinet entraînera un jet d'eau pressurisé au point de connexion. Cette eau peut être très chaude et pourrait causer des brûlures ou des ébouillants.

2. Débranchez le tuyau d'admission et le tuyau de vidange de la connexion rapide. Laissez évacuer l'eau laissée dans les tuyaux avant de continuer.

Remarque: Pour plus de commodité, le tuyau de vidange et le tuyau d'admission peuvent rester fixés à la connexion rapide lorsqu'ils ne sont pas utilisés. Assurez-vous que toute l'eau est vidée des tuyaux avant de les ranger.

3. Débranchez le tuyau d'admission et le tuyau de vidange à l'arrière de l'appareil.
4. Retirez le collier de verrouillage de la connexion rapide et tirez vers le bas pour l'enlever de l'adaptateur du robinet.
5. L'adaptateur de robinet peut être retiré ou il peut rester sur le robinet car il contient un aérateur. Si l'adaptateur du robinet est retiré, n'oubliez pas de remplacer l'aérateur sur le robinet.

Remarque: Les conditions de l'eau dure affecteront la performance du lave-vaisselle. L'eau dure déposera de la chaux ou du blanc sur la surface en acier inoxydable de la baignoire du lave-vaisselle, de l'aérateur de robinet et de l'ensemble de filtre interne. Il est conseillé d'effectuer périodiquement un cycle de rinçage avec 1 tasse (250 ml) de vinaigre blanc tandis que le lave-vaisselle est vide pour éliminer toute mise à l'échelle.

CONSIGNES D'UTILISATION

CHARGEMENT DU PANIER DU LAVE-VAISSELLE

- N'utilisez que de la vaisselle dans cet appareil quelle est marqué comme étant au lave-vaisselle.
- Utilisez un détergent doux.

Articles qui ne doivent pas être placés dans un lave-vaisselle

- Couverts avec poignées en bois, porcelaine ou nacre.
- Articles en plastique qui ne sont pas résistants à la chaleur.
- Articles qui ont été réparés avec de la colle qui n'est pas résistant à la chaleur.
- Articles en étain, en cuivre ou en acier.
- Plateaux en bois.
- Objets fabriqués à partir de fibres synthétiques.
- Les articles avec des motifs glacés peuvent disparaître si la machine est lavée fréquemment.

Conseils pour un chargement efficace

- Chargez des objets creux tels que des gobelets, des verres ou des casseroles avec l'ouverture vers le bas afin que l'eau ne puisse pas être recueillie dans le récipient.
- Les articles doivent pas être placés les uns les autres ou couvrir les uns les autres.
- Pour éviter d'endommager les verres, ils ne doivent pas toucher.
- Des objets tranchants tels que des couteaux sculptés doivent être chargés horizontalement dans le panier pour éviter toute blessure lors du déchargement.
- Ne pas surcharger l'appareil.

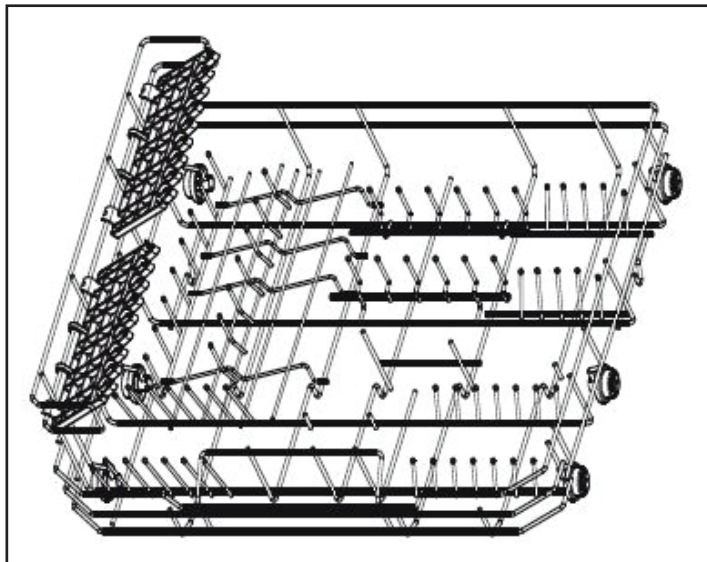
CHARGEMENT DU PANIER DE COUVERTS

Les couverts doivent être placés dans le panier de couverts avec les poignées vers le bas. Assurez-vous que les articles de coutellerie ne se nichent pas l'un dans l'autre car cela peut affecter les performances de nettoyage.

Les objets tranchants ou pointus doivent être placés dans le panier à couverts avec des points face vers le bas pour éviter les blessures lors du déchargement.

Ne placez pas d'objets excessivement petits dans le lave-vaisselle car ils pourraient tomber dans le panier et influencer sur le fonctionnement de l'appareil.

Panier de lave-vaisselle



Les supports de plaques peuvent être rangés horizontalement si de gros articles sont chargés dans le panier.

Un exemple d'un panier de lave-vaisselle entièrement chargé est ci-dessous.



CONSIGNES D'UTILISATION

DISTRIBUTEUR DE DÉTERGENT

Le distributeur de détergent doit être rempli avant le début de chaque cycle de lavage. Consultez la **table de cycle de lavage** (page 23) pour obtenir des informations spécifiques sur la quantité correcte de détergent à utiliser à chaque cycle.

Cet appareil nécessite moins de détergent et de rinçage qu'un lave-vaisselle conventionnel. Généralement, une seule cuillère à soupe de détergent sera nécessaire pour une charge de lavage normale. Des articles plus souillés peuvent nécessiter plus de détergent.

Toujours ajouter le détergent juste avant de commencer le cycle de lavage. En ajoutant trop rapidement le détergent à l'appareil, il peut l'humidifier et ne pas se dissoudre correctement.

Si le distributeur de détergent est fermé, appuyez sur le loquet pour l'ouvrir.

- Le compartiment détergent gauche peut contenir au maximum 15 g de détergent.
- Le compartiment détergent droit peut contenir au maximum 25 g de détergent.

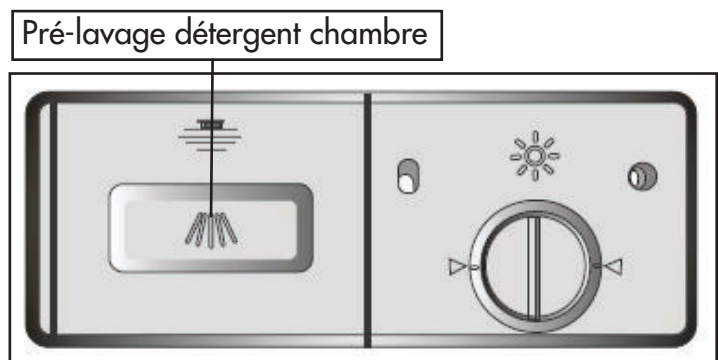
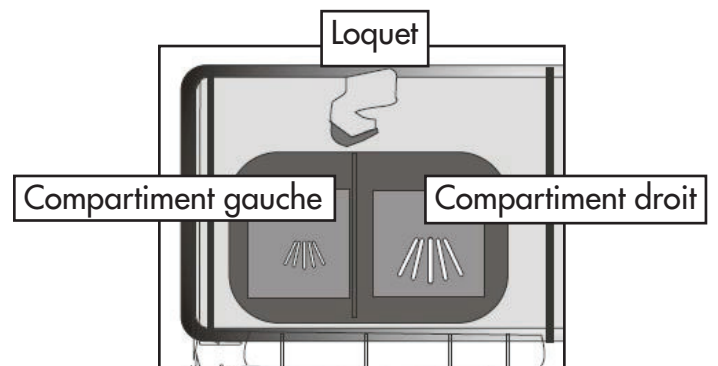
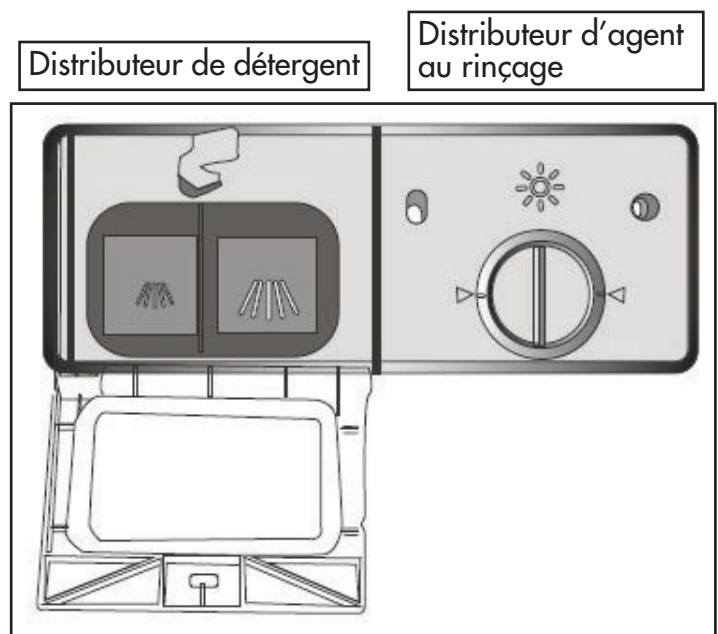
Assurez-vous que le distributeur de détergent est fermé avant de fermer la porte de l'appareil.

Si la vaisselle est très souillée, un détergent supplémentaire peut être placé dans la chambre de pré-lavage à l'extérieur du couvercle.

Remarque sur les tablettes de détergent et des packs de gel

Les comprimés de détergent et les packs de gel de différentes marques se dissolvent à des vitesses différentes. Certains comprimés détergents ou packs de gel ne peuvent pas se dissoudre et développer leur puissance de nettoyage complète dans un lave-vaisselle compact.

Pour cette raison, il n'est pas recommandé d'utiliser des comprimés de détergents ou des packs de gel avec cet appareil.



Le détergent de la vaisselle est corrosif.
Tenir hors de la portée des enfants.

CONSIGNES D'UTILISATION

DISTRIBUTEUR D'AGENT RINÇAGE

L'agent de rinçage peut être utilisé pour éviter que des gouttelettes d'eau ou des stries ne se forment sur la vaisselle. Le rinçage se libère automatiquement pendant le rinçage final.

Le distributeur d'agent rinçage est située à l'intérieur de la porte, à côté du distributeur de détergent. Pour remplir le distributeur d'agent rinçage, ouvrez le capuchon et versez le produit de rinçage dans le distributeur jusqu'à ce que l'indicateur de niveau à droite devienne noir. Veillez à ne pas surcharger le distributeur. Le volume total du distributeur d'agent rinçage est de 110 ml.

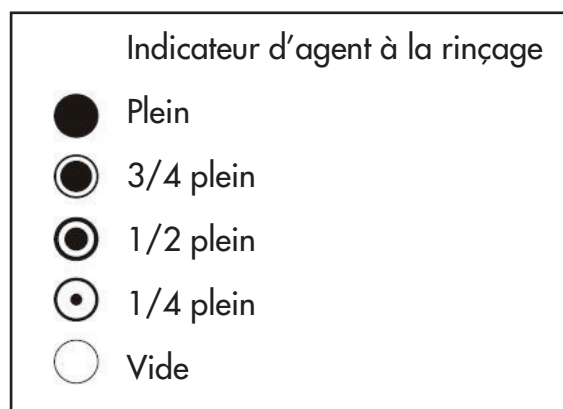
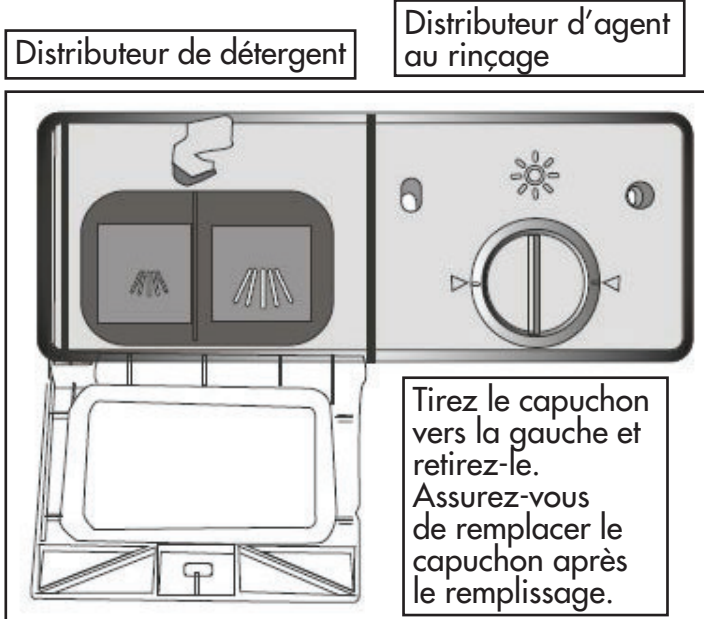
Ne mettez pas toute autre substance dans le distributeur d'agent rinçage car cela peut endommager l'appareil.

Au fur et à mesure que l'agent rinçage diminue, la taille du point noir sur l'indicateur de niveau d'agent rinçage changera. Une fois que le point noir est devenu clair, le distributeur d'agent rinçage doit être rempli.

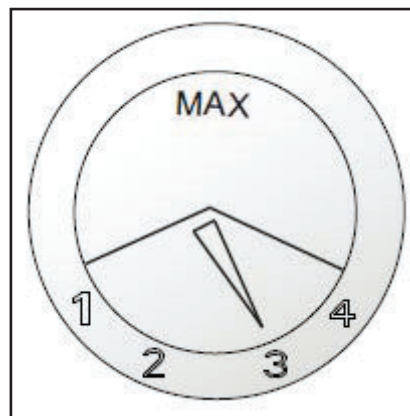
Le distributeur d'agent rinçage a quatre réglages. Le réglage recommandé est "3".

Si la vaisselle ne sèche pas correctement ou si des points d'eau se forment, mettez le réglage sur "4".

S'il y a un résidu collant sur la vaisselle après le lavage, réglez le réglage sur "1" ou "2".











Réglez la quantité d'agent rinçage qui sera distribuée en modifiant le réglage sur le bouton à l'intérieur du distributeur.



CONSIGNES D'UTILISATION

TABLEAU DES CYCLES DE LAVAGE

Appuyez sur le bouton de programme pour sélectionner le programme de lavage souhaité.

Programme	Description du cycle	Répartition du cycle	Détergent	Temps de marche	Utilisation de l'énergie	Utilisation de l'eau
Heavy 	Pour les charges fortement souillées telles que des pots et des casseroles	Pré-lavage Pré-lavage (50°C) Lavage (55°C) Lavage (50°C) Rincer Rincer (68°C)	18 grammes	100 minutes	0.49 kWh	12.5 litres
Normal 	Pour les charges normalement souillées; Cycle quotidien standard	Pré-lavage Pré-lavage Lavage (52°C) Rincer Rincer (65°C)	18 grammes	110 minutes	0.36 kWh	10.8 litres
Baby Care 	Pour les charges légèrement sales	Pré-lavage Pré-lavage (50°C) Lavage (55°C) Rincer Rincer Rincer (70°C)	18 grammes	90 minutes	0.51 kWh	12.5 litres
ECO 	Cycle de conservation de l'énergie pour les charges légèrement sales	Pré-lavage Pré-lavage (50°C) Lavage (50°C) Rincer Rincer (60°C)	18 grammes	75 minutes	0.27 kWh	10 litres
Glass 	Pour verrerie légèrement sale	Pré-lavage Lavage (50°C) Rincer Rincer (60°C)	15 grammes	70 minutes	0.28 kWh	8.5 litres
Speed 	Un cycle rapide pour les charges légèrement souillées	Pré-lavage Pré-lavage (50°C) Lavage (50°C) Rincer Rincer (55°C)	15 grammes	45 minutes	0.31 kWh	10.5 litres
Rinse 	Cycle de rinçage uniquement	Pré-lavage Rincer	N/A	24 minutes	0.03 kWh	4.3 litres
Mini-fête 	Pour les charges légèrement sales	Lavage (45°C) Rincer Rincer (50°C)	15 grammes	20 minutes	0.18 kWh	6.5 litres

CONSIGNES D'UTILISATION

DÉMARRER UN CYCLE DE LAVAGE

1. Chargez le lave-vaisselle selon les instructions de chargement.
2. Ajouter le détergent et l'agent rinçage au besoin.
3. Assurez-vous que le lave-vaisselle est connecté à une source d'eau et que l'eau est allumée.
4. Insérer la fiche dans la prise de courant.
5. Fermez la porte du lave-vaisselle et appuyez sur le bouton d'alimentation pour allumer l'appareil.
6. Appuyez plusieurs fois sur la bouton de programme pour choisir le programme de lavage souhaité. Les programmes vont circuler dans l'ordre suivant: Lourd -> Normal -> Soins bébé -> ECO -> Verre -> Vitesse -> Rincer -> Mini-Fête
7. Appuyez sur le bouton Démarrer/Pause pour commencer le cycle.

AJOUT D'UN PLAT OUBLIÉ

Un plat oublié peut être ajouté à un cycle de fonctionnement à tout moment avant l'ouverture du détergent. Si le détergent a déjà été relâché dans l'appareil, il est recommandé de ne pas ajouter d'autres vaisselles car ils ne recevront pas un nettoyage adéquat.

Pour ajouter un plat:

1. Appuyez sur le bouton Démarrer/Pause pour mettre en pause le cycle.
2. Ouvrez la porte lentement, le bras de pulvérisation pourrait toujours tourner.
3. Ajouter les plats oubliés.
4. Ferme la porte.
5. Appuyez sur le bouton Démarrer/Pause pour reprendre le cycle. L'appareil peut prendre jusqu'à 10 secondes pour redémarrer.

FIN D'UN CYCLE DE LAVAGE

Lorsqu'un cycle de lavage est terminé, un buzzer sonne pendant 8 secondes, puis arrêtez. L'appareil s'éteint automatiquement après 30 minutes d'inactivité.

Pour éteindre et décharger le lave-vaisselle:

1. Appuyez sur le bouton d'alimentation pour éteindre l'appareil.
2. Éteignez la source d'eau et débranchez l'appareil de la source d'alimentation.
3. Laissez l'appareil rester intact avec la porte fermée pendant environ 5-10 minutes en fin de cycle. L'ouverture de la porte trop rapidement alors que la température interne est encore très chaude peut provoquer un séchage instantané qui peut laisser des taches et des stries sur la vaisselle.
4. Ouvrez la porte avec précaution car l'air à l'intérieur de l'appareil peut encore être chaud. Laissez la porte entravée pendant quelques minutes avant de retirer les plats pour leur permettre de refroidir et de sécher. Les plats chauds peuvent être sensibles aux coups et peuvent se briser; Ils devraient être autorisés à refroidir avant de retirer de l'appareil.

Remarque: Il n'y a pas de cycle de séchage dans cet appareil. Les plats doivent être laissés à l'intérieur de l'appareil pendant une courte période après un cycle afin que l'air chaud à l'intérieur de l'appareil puisse faciliter le processus de séchage. Il est normal que les plats soient encore humides à la fin d'un cycle.

Remarque: Il est normal qu'une petite quantité d'eau reste à l'intérieur de l'appareil à la fin d'un cycle. Cette eau s'évapore et n'a pas besoin d'être vidangée manuellement.

SOINS ET ENTRETIEN

SYSTÈME DE FILTRAGE

Le système de filtrage élimine les particules de nourriture de l'eau de lavage et les piège. Il est fortement recommandé de vider et de nettoyer les filtres après chaque cycle de lavage.

Il existe trois parties du système de filtrage:

1. **Filtre grossier:** Ce filtre piège des objets plus gros tels que des morceaux d'os ou de verre qui pourraient bloquer le drain.

Pour nettoyer ce filtre, serrer le dessus et le soulever hors de l'assemblage. Jeter tous les éléments dans ce filtre, puis rincer à l'eau chaude.

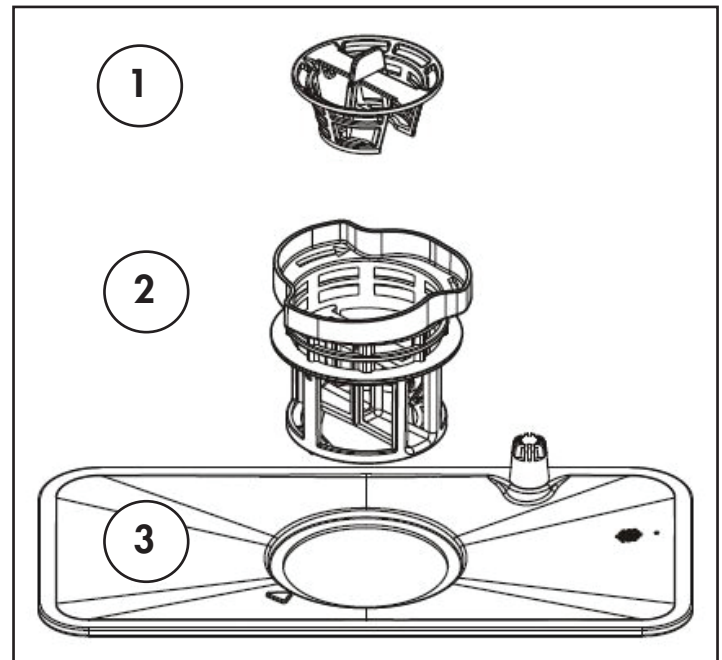
2. **Filtre fin:** Ce filtre piège les particules alimentaires et les résidus et empêche qu'il ne soit déposé à nouveau sur la vaisselle pendant le cycle de rinçage.

Pour nettoyer ce filtre, tenez le dessus et retirez-le de l'assemblage. Jeter tous les éléments dans ce filtre, puis rincer à l'eau chaude.

3. **Filtre principal:** Ce filtre contient les plus petites particules alimentaires.

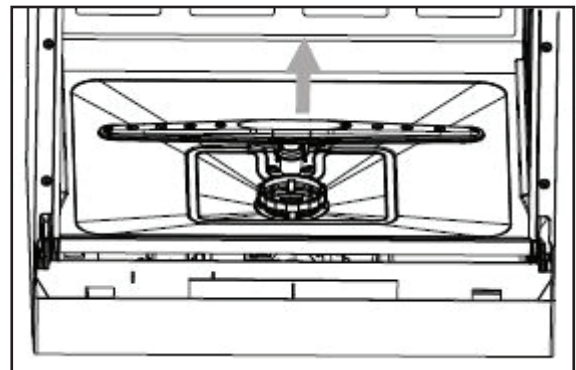
Il n'est pas nécessaire de nettoyer manuellement ce filtre car des particules piégées par ce filtre sont pulvérisées par un jet spécial sur le bras de pulvérisation et sont arrosées par le drain.

Remarque: All three pieces of the filter may come out of the unit in one piece and can be difficult to separate. It is still possible to rinse and clean the filters as one piece and then replace inside the appliance.



BRAS DE PULVÉRISATION

Le bras de pulvérisation peut être retiré de l'appareil en tirant doucement vers le haut. Rincez le bras de pulvérisation avec de l'eau chaude pour éliminer tout débris qui peut obstruer les buses. Remplacez le bras de pulvérisation dans l'appareil en appuyant vers le bas jusqu'à ce qu'il s'enclenche. Veillez à ce que le mouvement du bras de pulvérisation ne soit pas entravé avant d'exécuter un autre cycle.



SOINS ET ENTRETIEN

NETTOYAGE

- Débranchez l'appareil de la source d'alimentation avant de procéder au nettoyage ou à la maintenance.
- Après chaque lavage, éteignez l'alimentation en eau et laissez la porte légèrement ouverte afin que l'humidité et les odeurs ne soient pas piégés à l'intérieur de l'appareil.
- Utilisez uniquement un chiffon doux et un détergent doux pour nettoyer l'appareil. N'utilisez jamais de solvants ou de produits abrasifs car cela pourrait endommager l'appareil.
- Pour enlever les points d'eau de l'intérieur de l'appareil, utilisez un chiffon doux humecté avec une petite quantité de vinaigre.
- Si l'appareil ne doit pas être utilisé pendant une longue période, il est conseillé d'utiliser un cycle de lavage normal avec le lave-vaisselle vide puis de laisser la porte ouverte jusqu'à ce que l'intérieur de l'appareil soit complètement sec. Cela aidera les joints de la porte à durer plus longtemps et aidera à empêcher les mauvaises odeurs de se former à l'intérieur de l'appareil.
- Nettoyez les joints de la porte avec une éponge humide régulièrement pour éviter les mauvaises odeurs des particules alimentaires qui peuvent être piégées dans le joint de la porte.

CODES D'ERREUR

E1: Pas assez d'eau dans l'appareil

- La source d'eau n'est pas allumée
- L'apport d'eau est limité
- La pression de l'eau est trop faible

E3: N'atteignant pas la température correcte

- Dysfonctionnement de l'élément chauffant

E4: Débordement d'eau

- Dysfonctionnement du drain
- Drain obstrué

Ed: Dysfonctionnement du panneau de contrôle

- Erreur de communication interne

Si l'appareil affiche un code d'erreur, une réinitialisation de l'alimentation peut résoudre le problème. Débranchez l'appareil, attendez environ 5 minutes, puis rallumez l'appareil.

DÉPANNAGE

Danby soins du consommateur: 1-800-263-2629

Heures d'ouverture:

Lundi à Jeudi 8 h 30 à 18 h, heure normale de l'Est

Vendredi de 8 h 30 à 16 h, heure normale de l'Est

Les informations contenues dans ce manuel sont sujettes à modification sans préavis.

PROBLÈME	CAUSE POSSIBLE
Aucune puissance	<ul style="list-style-type: none">• Un fusible peut être soufflé ou le disjoncteur a déclenché• Surtension• La fiche d'alimentation n'est pas complètement insérée dans la prise murale• La porte n'est pas fermée correctement
Eau non vidangée du lave-vaisselle	<ul style="list-style-type: none">• Pli dans le tuyau de vidange• Filtre bouché• Dysfonctionnement de la pompe de vidange
Détergent laissé dans le distributeur	<ul style="list-style-type: none">• Plats bloquant le distributeur de l'ouverture complète; L'appareil peut être surchargé
Suds laissés dans l'appareil	<ul style="list-style-type: none">• Trop de détergent ou mauvais type de détergent• Trop d'agent rinçage
Film blanc ou nébuleuse sur la vaisselle ou l'intérieur du lave-vaisselle	<ul style="list-style-type: none">• Minéraux d'eau dure• Trop de détergent• Pas assez d'agent de rinçage
Le bruit à l'intérieur de l'appareil lors de l'exécution	<ul style="list-style-type: none">• Le bras de pulvérisation frappe un article dans le panier• Un objet est tombé du panier et se trouve au fond du bac de lavage
Les plats ne sont pas propres	<ul style="list-style-type: none">• Les plats ont été mal chargés• Le programme de lavage n'était pas assez puissant• Pas assez de détergent• Les éléments bloquent le bras de pulvérisation; L'appareil peut être surchargé• Filtre bouché
Les plats ne sont pas séchés	<ul style="list-style-type: none">• Les plats ont été mal chargés• Trop de plats ont été chargés• Pas assez d'agent de rinçage• Les plats ont été enlevés trop rapidement
Fuite d'eau sur l'adaptateur de robinet	<ul style="list-style-type: none">• La rondelle du robinet est peut-être trop épaisse; retirez la rondelle épaisse de l'adaptateur de robinet et remplacez-la par la rondelle mince du sac à accessoires

GARANTIE LIMITÉE « EN ATELIER »

Cet appareil de qualité est garanti exempt de tout vice de matière première et de fabrication, s'il est utilisé dans les conditions normales recommandées par le fabricant.

Cette garantie n'est offerte qu'à l'acheteur initial de l'appareil vendu par Danby Products Limited (Canada) ou Danby Products Inc. (É.-U.) (ci-après « Danby ») ou par l'un des ses distributeurs agréés et elle ne peut être transférée.

CONDITIONS

Les pièces en plastique sont garanties pendant trente (30) jours seulement à partir de la date de l'achat, sans aucune prolongation prévue.

Premiers 12 mois Pendant les premiers **douze (12) mois**, toutes les pièces fonctionnelles de ce produit qui s'avèrent défectueuses seront réparées ou remplacées, selon le choix du garant, sans frais à l'acheteur initial.

Pour obtenir un service Contactez le revendeur où l'appareil a été acheté ou contactez le dépôt de service Danby autorisé le plus proche, où le service doit être effectué par un technicien de service qualifié. Si le service est effectué sur l'appareil par une personne autre qu'un dépôt de service autorisé, toutes les obligations de Danby en vertu de cette garantie seront annulées.

Il est de la responsabilité de l'acheteur de transporter l'appareil vers le dépôt de service agréé le plus proche.

Les frais de transport entre votre domicile et le lieu de l'entretien ne sont pas couverts par la présente garantie et doivent être acquittés par l'acheteur.

Aucune partie de la garantie ne prévoit implicitement que le fabricant sera tenu responsable des dommages subis par les aliments ou d'autres types de contenu, qu'ils soient causés par la défectuosité de l'appareil ou par son usage adéquat ou inadéquat.

EXCLUSIONS

En vertu de la présente, il n'existe aucune autre garantie, condition ou représentation, qu'elle soit exprimée ou tacite, de façon manifeste ou intentionnelle, par Danby ou ses distributeurs agréés. De même, sont exclues toutes les autres garanties, conditions ou représentations, y compris les garanties, conditions ou représentations en vertu de toute loi régissant la vente de produits ou de toute autre législation ou règlement semblable. **En vertu de la présente, Danby ne peut être tenue responsable en cas de blessures corporelles ou de dégâts matériels, y compris à l'appareil, quelle qu'en soit les causes. Danby ne peut pas être tenue responsable des dommages indirects dus au fonctionnement défectueux de l'appareil. En achetant l'appareil, l'acheteur accepte de tenir sans reproche et de dégager Danby de toute responsabilité en cas de réclamation pour toute blessure corporelle ou tout dégât matériel causé par cet appareil.**

CONDITIONS GÉNÉRALES

La garantie ou assurance ci-dessus ne s'applique pas si les dégâts ou réparations sont dus aux cas suivants :

- 1) Panne de courant.
- 2) Dommages subis pendant le transport ou le déplacement de l'appareil.
- 3) Alimentation électrique incorrecte (tension faible, câblage défectueux, fusibles incorrects).
- 4) Accident, modification, emploi abusif ou incorrect de l'appareil tel qu'une circulation d'air inadéquate dans la pièce ou des conditions de fonctionnement anormales (température extrêmement élevée ou basse).
- 5) Utilisation dans un but commercial ou industriel (à savoir, si l'appareil n'est pas installé dans un domicile résidentiel).
- 6) Incendie, dommages causés par l'eau, le vol, la guerre, une émeute, des hostilités, ou en cas de force majeure (ouragan, inondation, etc.).
- 7) Visites d'un technicien pour expliquer le fonctionnement de l'appareil au propriétaire.
- 8) Installation inappropriée (par exemple, encastrement d'un appareil autoportant, ou utilisation extérieure d'un appareil non conçu à cet effet, y compris, mais sans s'y limiter : les garages, les patios, les porches ou ailleurs, qui ne sont pas correctement isolés ou climatisés).

La preuve de la date d'achat sera requise pour les réclamations de garantie; conserver la facture de vente. Dans le cas où un service de garantie est requis, présentez la preuve d'achat à notre dépôt de service agréé.

Service sous garantie

En Atelier

Danby Products Limited
PO Box 1778, Guelph, Ontario, Canada N1H 6Z9
Téléphone : (519) 837-0920 Télécopieur : (519) 837-0449

1-800-263-2629
02/18

Danby Products Inc.
PO Box 669, Findlay, Ohio, U.S.A. 45840
Téléphone : (419) 425-8627 Télécopieur : (419) 425-8629

Bienvenido

Bienvenido a la familia Danby. Estamos orgullosos de nuestros productos de calidad y nos creemos en servicio confiable. Sugerimos que lea este manual del propietario antes de conectar el nuevo aparato ya que contiene información importante sobre la operación, información de seguridad, solución de problemas y consejos de mantenimiento para garantizar la fiabilidad y longevidad de su electrodoméstico.

Visite **www.Danby.com** para acceder a herramientas de autoservicio, preguntas frecuentes y mucho más. Para asistencia adicional, llame al **1-800-263-2629**.

Tenga en cuenta la información siguiente; Necesitará esta información para obtener un servicio bajo garantía.

Debe proporcionar el recibo de compra original para validar su garantía y recibir servicio.

Número de modelo: _____

Número de serie: _____

Fecha de compra: _____

Necesitas ayuda?

Antes de llamar al servicio, aquí hay algunas cosas que puede hacer para ayudarnos a servirle mejor.

Lea este manual del propietario:

Contiene instrucciones para ayudarlo a usar y mantener su aparato correctamente.

Si recibe un aparato dañado:

Inmediatamente póngase en contacto con el minorista o el constructor que le vendió el aparato.

Ahorre tiempo y dinero:

Consulte la sección de solución de problemas al final de este manual antes de llamar. Esta sección le ayudará a resolver problemas comunes que pueden ocurrir.



1-800-26- Danby
(1-800-263-2629)



Importantes Instrucciones de Seguridad

LEA Y SIGA TODAS LAS INSTRUCCIONES DE SEGURIDAD

LA CONECCIÓN A TIERRA

Este artefacto debe ser conectado a tierra. En caso de un corto circuito eléctrico, la conexión a tierra reduce el riesgo de una descarga eléctrica proporcionando un cable de retorno para la corriente eléctrica.

Este aparato está equipado con un cable que tiene un cable de puesta a tierra y un enchufe de conexión a tierra. El cable de alimentación debe estar enchufado en un tomacorriente que esté debidamente conectado a tierra. Si el tomacorriente es un tomacorriente de pared de 2 terminales, es su responsabilidad reemplazarlo por un tomacorriente de 3 clavijas con conexión a tierra adecuada. La placa de serie indica el voltaje y frecuencia que se debe utilizar para el aparato.

ADVERTENCIA - El uso incorrecto del enchufe de conexión a tierra puede resultar en un riesgo de descarga eléctrica. Consulte a un electricista o agente de servicio calificado si las instrucciones de conexión a tierra no se entienden completamente o si existe duda sobre si el aparato está debidamente conectado a tierra.

NO UTILICE CABLES DE EXTENSIÓN

No conecte el aparato a los cables de extensión ni con otro aparato en la misma toma de corriente. No empalme el cable de alimentación. No corte ni quite en ningún caso la tercera clavija de tierra del cable de alimentación.

Si el cable de alimentación está dañado, debe ser reemplazado por el fabricante, su agente de servicio o persona calificada similar para evitar riesgos.

Asegúrese de que los componentes se reemplacen con componentes similares y que el servicio sea realizado por personal de servicio autorizado por la fábrica para minimizar el riesgo de encendido debido a piezas incorrectas o servicio inadecuado.

Este aparato no se destina para utilizarse por personas (incluyendo niños) cuyas capacidades físicas, sensoriales o mentales sean diferentes o estén reducidas, o carezcan de experiencia o conocimiento, a menos que dichas personas reciban una supervisión o capacitación para el funcionamiento del aparato por una persona responsable de su seguridad.

REQUERIMIENTOS DE SEGURIDAD

- Los niños deben ser supervisados para asegurar que no jueguen con el electrodoméstico.
- No se pare, se siente o se apoye en la puerta o en el plato. No coloque objetos pesados en la puerta cuando esté abierto.
- No toque el elemento calefactor durante o inmediatamente después de su uso.
- No haga funcionar el aparato a menos que todos los paneles del armario estén instalados correctamente.
- Abrir la puerta con cuidado durante el funcionamiento, el agua puede tener fugas. Proceda con precaución ya que el agua puede estar caliente.
- No lave artículos de plástico a menos que estén identificados como aptos para lavaplatos.
- Utilice únicamente detergentes y aditivos de enjuague que estén diseñados para un lavaplatos automático.
- Nunca use jabón, detergente para la ropa o detergente para el lavado de manos en el lavaplatos.
- Mantenga el detergente y el abrillantador fuera del alcance de los niños.
- Compruebe que el dispensador de detergente esté vacío después de completar el ciclo de lavado.
- Los detergentes para lavaplatos son muy alcalinos y pueden ser extremadamente peligrosos si se ingieren. Evite el contacto con la piel y los ojos.
- Retire la puerta del aparato cuando la saque de servicio o deseche.
- Este aparato debe conectarse a la red de suministro de agua usando nuevos conjuntos de mangueras. Las mangueras viejas no deben ser reutilizadas.
- La presión máxima admisible del agua de la entrada es 1 Mpa.
- La presión mínima admisible del agua de la entrada es 0.04 Mpa.

¡GUARDE ESTAS INSTRUCCIONES!

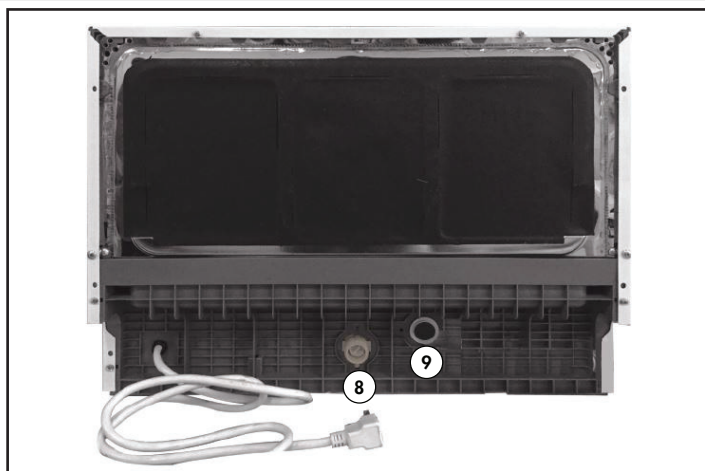
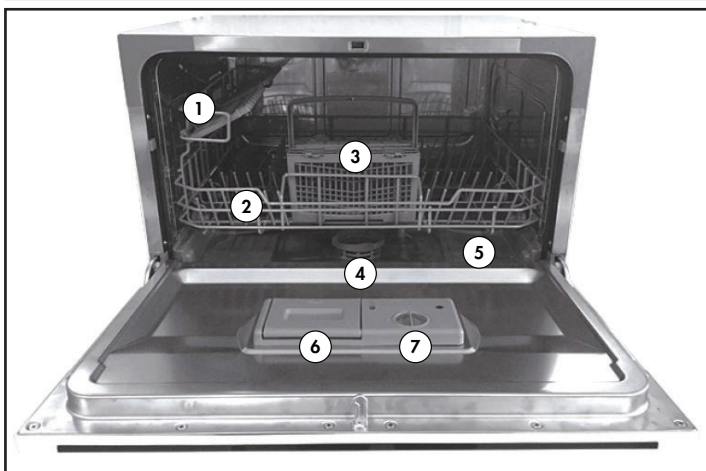
INSTRUCCIONES DE INSTALACIÓN

PANEL DE CONTROL



- 1. Botón de encendido:** Presione para encender o apagar el aparato
- 2. Botón de bloqueo:** Mantenga pulsado durante 5 segundos para bloquear o desbloquear los botones del panel de control
- 3. Botón de retardo:** Presione para retrasar el inicio del programa elegido
- 4. Indicador del programa:** Se ilumina para mostrar el programa que se está ejecutando
- 5. Visualización de la tiempo:** Muestra el tiempo restante o cuánto tiempo hasta el inicio diferido
- 6. Indicador de limpieza extra:** Se ilumina si se elige un programa de limpieza adicional
- 7. Indicador de bloqueo:** Se ilumina si el bloqueo del panel de control está activado
- 8. Indicador de secado extra:** Se enciende si se elige el programa de secado adicional
- 9. Indicador express:** Se ilumina si se elige el programa expreso
- 10. Luz de advertencia del agente de enjuague:** Se ilumina cuando el dispensador de abrillantador está vacío
- 11. Indicador de finalización del programa:** Se ilumina cuando el programa ha finalizado
- 12. Indicador de agua:** Se ilumina cuando surge un problema con el suministro de agua
- 13. Botón selector de programas:** Presione para elegir un programa
- 14. Botón de función:** Presione para seleccionar funciones adicionales, secado adicional, limpieza extra o expreso
- 15. Botón Inicio/Pausa:** Presione para iniciar el programa elegido o pausar un programa que se está ejecutando

CARACTERÍSTICAS



- 1. Estante de la copa**
- 2. Cesta**
- 3. Cesta de cubiertos**
- 4. Ensamblaje del filtro**
- 5. Brazo rociador**
- 6. Dispensador de detergente**
- 7. Dispensador de agente de enjuague**
- 8. Conexión de la manguera de entrada**
- 9. Conexión de la manguera de drenaje**

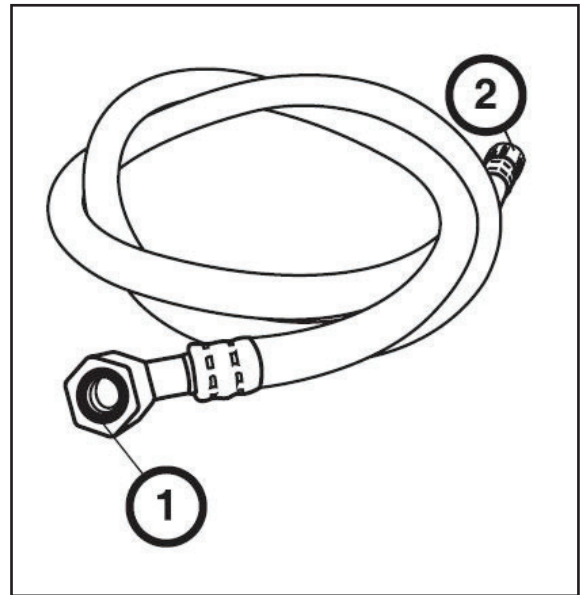
INSTRUCCIONES DE INSTALACIÓN

CONEXIÓN DE AGUA

El lavavajillas utiliza un conjunto de conexión rápida para conectarse a la fuente de agua. Asegúrese de que todas las partes siguientes están presentes antes de comenzar el proceso de conexión.

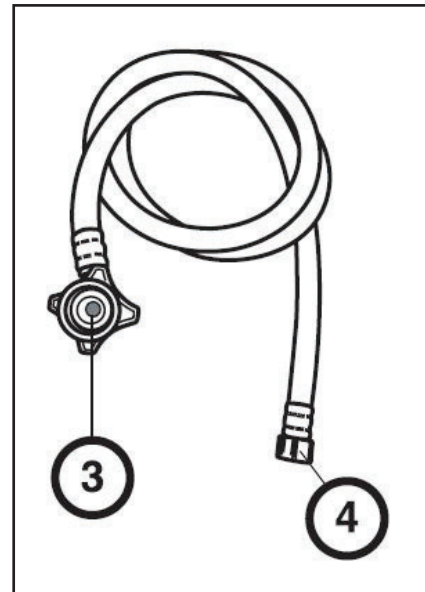
Manguera de drenaje

1. Conexión de drenaje
2. Conexión de conexión rápida



Manguera de entrada

3. Conexión de entrada
4. Conexión de conexión rápida



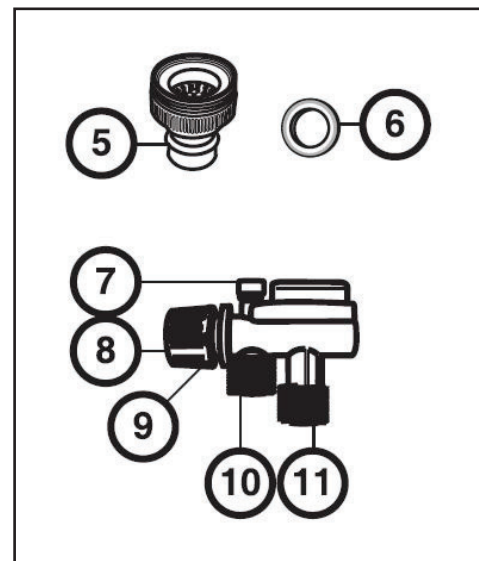
Utilice únicamente las mangueras suministradas con el aparato. El uso de mangueras más largas afectará el rendimiento de la unidad.

Adaptador de grifo

5. Adaptador de grifo
6. Arandela de grifo x3 (2 arandelas gruesas y 1 arandela delgada)

Conexión rápida

7. Válvula de alivio de presión
8. Conexión del adaptador del grifo
9. Collar de bloqueo
10. Conexión de la manguera de entrada
11. Conexión de la manguera de drenaje



INSTRUCCIONES DE INSTALACIÓN

CONECTAR EL LAVAPLATOS

El aparato debe colocarse sobre un mostrador plano, plano, cerca de la fuente de agua.

Para conectar el lavaplatos a la fuente de agua:

1. Retire el aireador del grifo y atornille el adaptador del grifo en el grifo. El adaptador de grifo es compatible tanto con macho (exterior roscado) o hembra (interior roscado) grifos.
2. La lavadora del grifo puede o no ser necesaria. Una vez que el adaptador del grifo se conecta al grifo, encienda el grifo de agua para probar la conexión. Si hay fugas en la conexión del adaptador de toma, agregue la lavadora del grifo y vuelva a colocarla. Si todavía hay fugas al usar la lavadora del grifo, envuelva la cinta de teflón alrededor del grifo o el adaptador del grifo y vuelva a colocarlo.
3. Tire hacia abajo del collar de cierre en la conexión rápida y empuje el extremo de la conexión rápida en el extremo del adaptador del grifo. Cuando la conexión rápida haga clic sobre el adaptador del grifo, suelte el collar de bloqueo.
4. Conecte la manguera de entrada de agua y la manguera de desagüe a la parte posterior del aparato. Asegúrese de que ambas conexiones estén apretadas y conectadas a los puertos correctos.
5. Conecte la manguera de entrada de agua y la manguera de drenaje a la conexión rápida. Asegúrese de que las mangueras estén conectadas a los puntos correctos de la conexión rápida. La manguera de desagüe debe conectarse al puerto más largo de la conexión rápida. La manguera de entrada debe conectarse al puerto más corto de la conexión rápida.
6. No encienda la fuente de agua hasta que esté listo para ejecutar un programa de lavado. Una vez que la fuente de agua se enciende, la manguera de entrada se presuriza y se llena con agua. El agua se libera en la unidad una vez que el programa de lavado comienza.

DESCONECTAR EL LAVAPLATOS

Cuando el programa de lavado esté completo, apague la fuente de agua antes de intentar desconectar el aparato.

1. Presione la válvula de alivio de presión (botón rojo) en la conexión rápida para liberar el agua restante de la manguera de entrada de agua.

ADVERTENCIA: Si no se alivia la presión del agua antes de desconectar la conexión rápida del grifo, se producirá un chorro de agua presurizada en el punto de conexión. Esta agua puede estar muy caliente y podría causar quemaduras o escaldado.

2. Desconecte la manguera de entrada y la manguera de desagüe de la conexión rápida. Deje que el agua que queda en las mangueras se drene antes de continuar.

Nota: Para mayor comodidad, la manguera de drenaje y la manguera de entrada pueden permanecer conectadas a la conexión rápida cuando no estén en uso. Asegúrese de que se drene toda el agua de las mangueras antes de guardarlas.

3. Desconecte la manguera de entrada y la manguera de desagüe de la parte posterior del aparato.
4. Tire hacia abajo del collarín de fijación en la conexión rápida y tire hacia abajo para sacarlo del adaptador del grifo.
5. El adaptador del grifo se puede quitar o puede permanecer en el grifo, ya que contiene un aireador. Si se retira el adaptador del grifo, recuerde reemplazar el aireador en el grifo.

Nota: Las condiciones del agua dura afectarán negativamente el rendimiento del lavavajillas. El agua dura depositará cal o blanco sobre la superficie de acero inoxidable de la lavadora, el aireador del grifo y el conjunto del filtro interno. Se recomienda ejecutar periódicamente un ciclo de enjuague con 1 taza (250 ml) de vinagre blanco mientras el lavavajillas está vacío para eliminar cualquier incrustación.

INSTRUCCIONES DE OPERACIÓN

CARGANDO LA CESTA DE LAVAPLATOS

- Sólo coloque los platos en este aparato que estén marcados como aptos para el lavaplatos.
- Utilice un detergente suave.

Artículos que no deben colocarse en un lavaplatos

- Cubertería con mango de madera, porcelana o madreperla.
- Artículos de plástico que no son resistentes al calor.
- Artículos que han sido reparados con pegamento que no es resistente al calor.
- Peltre, cobre o artículos de acero.
- Platos de madera.
- Artículos hechos de fibras sintéticas.
- Los artículos con patrones vidriados pueden desvanecerse si la máquina se lava con frecuencia.

Consejos para una carga eficiente

- Cargue objetos huecos tales como tazas, vasos o sartenes con la abertura hacia abajo para que el agua no pueda recoger en el recipiente.
- Los objetos no deben estar uno dentro del otro ni cubrirse uno al otro.
- Para evitar daños en las gafas, no deben tocar.
- Los artículos afilados de cubiertos tales como tallar los knoves se deben cargar horizontalmente en la cesta para evitar lesiones al descargar.
- No sobrecargue el aparato.

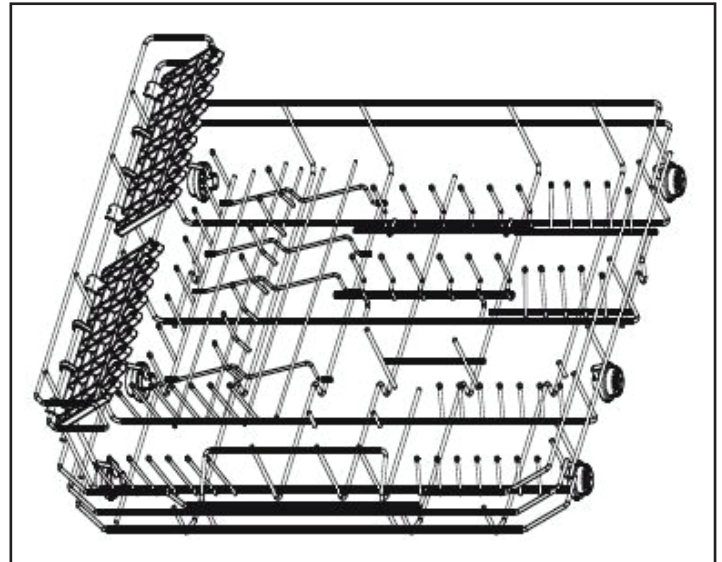
CARGANDO LA CESTA DE CUBIERTOS

Los cubiertos deben colocarse en la cesta de cubiertos con las asas hacia abajo. Asegúrese de que los artículos de cuchillería no aniden entre sí, ya que esto puede afectar el rendimiento de limpieza.

Los objetos afilados o puntiagudos deben colocarse en la cesta de cubiertos con los puntos hacia abajo para evitar lesiones al descargar.

No coloque artículos demasiado pequeños en el lavavajillas, ya que podrían caer a través de la cesta e impactar el funcionamiento del aparato.

Cesta de lavaplatos



Los bastidores de placas pueden almacenarse horizontalmente si se cargan artículos grandes en la cesta.

A continuación se muestra un ejemplo de una cesta de lavaplatos totalmente cargada.



INSTRUCCIONES DE OPERACIÓN

DISPENSADOR DE DETERGENTE

El dispensador de detergente debe llenarse antes del inicio de cada ciclo de lavado. Consulte la **tabla de ciclos de lavado** (página 37) para obtener información específica sobre la cantidad correcta de detergente que se debe utilizar con cada ciclo.

Este aparato requiere menos detergente y abrillantador que un lavavajillas convencional. Generalmente, sólo se necesitará una cucharada de detergente para una carga de lavado normal. Los artículos más sucios pueden requerir más detergente.

Agregue siempre el detergente justo antes de iniciar el ciclo de lavado. La adición del detergente al aparato demasiado pronto puede hacer que se humedezca y no se disuelva correctamente.

Si el dispensador de detergente está cerrado, presione el pestillo para abrirlo.

- El compartimiento de detergente izquierdo puede contener un máximo de 15 g de detergente.
- El compartimiento de detergente adecuado puede contener un máximo de 25 g de detergente.

Asegúrese de que el dispensador de detergente esté cerrado antes de cerrar la puerta del aparato.

Si los platos están muy sucios, se puede colocar detergente adicional en la cámara de detergente de prelavado en el exterior de la tapa.

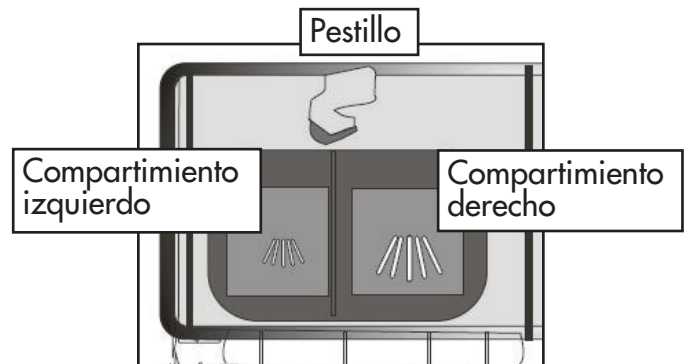
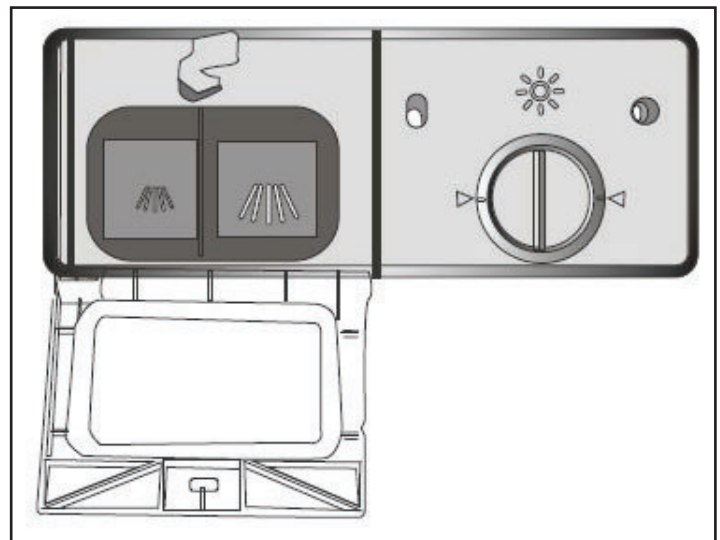
Nota sobre las pastillas de detergente y los paquetes de gel

Las pastillas detergentes y los paquetes de gel de diferentes marcas se disuelven a diferentes velocidades. Algunas pastillas detergentes o envases de gel no pueden disolverse y desarrollar su poder de limpieza completo en un lavaplatos compacto.

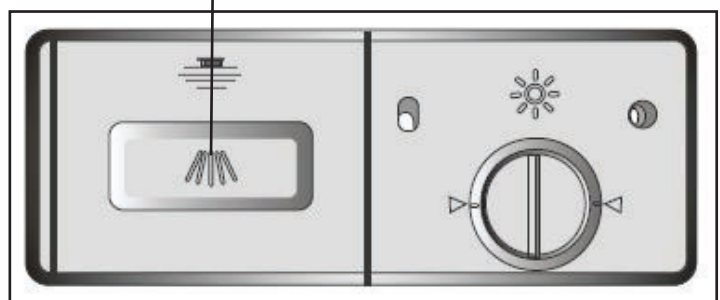
Por este motivo, no se recomienda el uso de pastillas de detergente o de gel con este aparato.

Dispensador de detergente

Dispensador de agente de enjuague



Cámara de detergente de prelavado



El detergente del lavaplatos es corrosivo. Mantener fuera del alcance de los niños.

INSTRUCCIONES DE OPERACIÓN

DISPENSADOR DE AGENTE DE ENJUAGUE

El agente de enjuague puede usarse para evitar que gotas de agua o rayas se formen en los platos. El agente de enjuague se liberará automáticamente durante el enjuague final.

El dispensador de agente de aclarado se encuentra dentro de la puerta, junto al dispensador de detergente. Para llenar el dispensador de agente de enjuague, abra la tapa y vierta el agente de enjuague en el dispensador hasta que el indicador de nivel de la derecha se vuelva negro. Tenga cuidado de no sobrecargar el dispensador. El volumen total del dispensador de agente de aclarado es de 110 ml.

No coloque ninguna otra sustancia en el dispensador de agente de enjuague, ya que puede dañar el aparato.

A medida que el agente de enjuague disminuye, el tamaño del punto negro en el indicador de nivel de agente de enjuague cambiará. Una vez que el punto negro se ha vuelto claro, el dispensador de agente de aclarado debe rellenarse.

El dispensador de agente de aclarado tiene cuatro ajustes. El ajuste recomendado es "3".

Si los platos no se secan adecuadamente o si se forman manchas de agua, gire el ajuste a "4".

Si hay un residuo pegajoso en los platos después del lavado, gire el ajuste a "1" o "2".

Dispensador de detergente

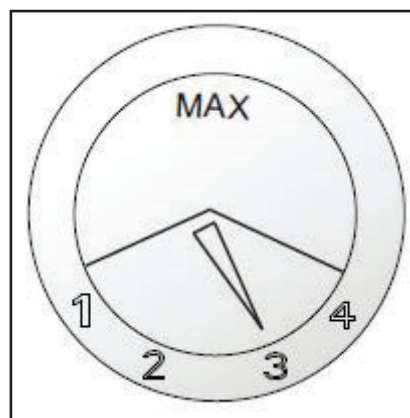
Dispensador de agente de enjuague



Indicador del agente de enjuague

- Lleno
- 3/4 lleno
- 1/2 lleno
- 1/4 lleno
- Vacío









Ajuste la cantidad de agente de enjuague que se dispensa cambiando el ajuste en la perilla dentro del dispensador.



INSTRUCCIONES DE OPERACIÓN

TABLA DE CICLOS DE LAVADO

Pulse el botón de programación para seleccionar el programa de lavado deseado.

Programa	Descripción del ciclo	Desglose del ciclo	Detergente	Tiempo de ejecución	Energía usada	Uso del agua
Pesado 	Para cargas muy sucias como ollas y sartenes	Prelavado Prelavado (50°C) Lavar (55°C) Lavar (50°C) Enjuagar Enjuagar (68°C)	18 gramos	100 minutos	0.49 kWh	12.5 litros
Normal 	Para cargas normalmente sucias; Ciclo diario estándar	Prelavado Prelavado Lavar (52°C) Enjuagar Enjuagar (65°C)	18 gramos	110 minutos	0.36 kWh	10.8 litros
Cuidado del bebé 	Para cargas ligeramente sucias	Prelavado Prelavado (50°C) Lavar (55°C) Enjuagar Enjuagar Enjuagar (70°C)	18 gramos	90 minutos	0.51 kWh	12.5 litros
ECO 	Ciclo de ahorro de energía para cargas ligeramente sucias	Prelavado Prelavado (50°C) Lavar (50°C) Enjuagar Enjuagar (60°C)	18 gramos	75 minutos	0.27 kWh	10 litros
Vaso 	Para cristalería ligeramente sucia	Prelavado Lavar (50°C) Enjuagar Enjuagar (60°C)	15 gramos	70 minutos	0.28 kWh	8.5 litros
Velocidad 	Un ciclo rápido para cargas ligeramente sucias	Prelavado Prelavado (50°C) Lavar (50°C) Enjuagar Enjuagar (55°C)	15 gramos	45 minutos	0.31 kWh	10.5 litros
Enjuagar 	Rinse cycle only	Prelavado Enjuagar	N/A	24 minutos	0.03 kWh	4.3 litros
Mini fiesta 	Para cargas ligeramente sucias	Lavar (45°C) Enjuagar Enjuagar (50°C)	15 gramos	20 minutos	0.18 kWh	6.5 litros

INSTRUCCIONES DE OPERACIÓN

INICIO DE UN CICLO DE LAVADO

1. Cargue el lavavajillas según las instrucciones de carga.
2. Añada detergente y agente de enjuague según sea necesario.
3. Asegúrese de que el lavaplatos esté conectado a un suministro de agua y que el agua esté encendida.
4. Inserte el enchufe en la fuente de alimentación.
5. Cierre la puerta del lavavajillas y presione el botón de encendido para encender el aparato.
6. Pulse repetidamente el botón programa para seleccionar el programa de lavado deseado. Los programas circularán en el siguiente orden: Pesado -> Normal -> Cuidado del bebé -> ECO -> Vaso -> Velocidad -> Enjuagar -> Mini fiesta
7. Pulse el botón Inicio/Pausa para iniciar el ciclo.

AGREGANDO UN PLATO OLVIDADO

Un plato olvidado puede añadirse a un ciclo de funcionamiento en cualquier momento antes de que el dispensador de detergente se haya abierto. Si el detergente ya ha sido liberado en el aparato, se recomienda no agregar más platos ya que no reciben una limpieza adecuada.

Para agregar un plato:

1. Pulse el botón Inicio/Pausa para detener el ciclo.
2. Abra la puerta lentamente ya que los brazos rociadores aún pueden girar.
3. Añadir los platos olvidados.
4. Cierre la puerta.
5. Pulse el botón Inicio/Pausa para reanudar el ciclo. El aparato puede tardar hasta 10 segundos en reiniciarse.

TERMINAR UN CICLO DE LAVADO

Cuando se completa un ciclo de lavado, un zumbador sonará durante 8 segundos y luego se detendrá. El aparato se apagará automáticamente después de 30 minutos de inactividad.

Para apagar y descargar el lavaplatos:

1. Presione el botón de encendido para apagar el aparato.
2. Apague el suministro de agua y desenchufe el aparato de la fuente de alimentación.
3. Deje que el aparato permanezca intacto con la puerta cerrada durante aproximadamente 5-10 minutos al final de un ciclo. Abrir la puerta demasiado rápido mientras los templados internos todavía están muy calientes puede causar el secado de destello que puede dejar manchas y rayas en los platos.
4. Abra la puerta cuidadosamente ya que el aire dentro del aparato puede estar caliente. Deje la puerta entreabierta durante unos minutos antes de retirar los platos para que se enfríen y se sequen. Los platos calientes pueden ser sensibles a los golpes y pueden romperse; Se debe dejar que se enfríen antes de sacarlos del aparato.

Nota: No hay ciclo de secado en este aparato. Los platos deben dejarse en el interior de la unidad durante un corto período de tiempo después de un ciclo para que el aire caliente dentro del aparato pueda ayudar en el proceso de secado. Es normal que los platos estén mojados al final de un ciclo.

Nota: Es normal que una pequeña cantidad de agua permanezca dentro del aparato al final de un ciclo.

CUIDADO Y MANTENIMIENTO

SISTEMA DE FILTRO

El sistema de filtro elimina partículas de alimentos del agua de lavado y las atrapa. Se recomienda vaciar y limpiar los filtros después de cada ciclo de lavado.

Hay tres partes en el sistema de filtro:

1. **Filtro grueso:** Este filtro atrapa objetos más grandes tales como piezas de hueso o de vidrio que podrían bloquear el drenaje.

Para limpiar este filtro, apriete la parte superior y levántelo del conjunto. Deseche todos los elementos de este filtro y luego enjuague con agua tibia.

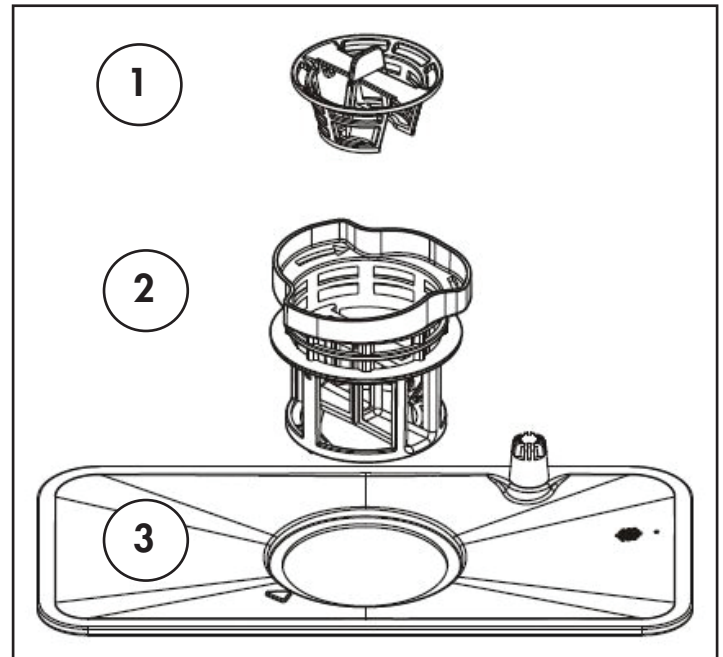
2. **Filtro fino:** Este filtro atrapa partículas de alimentos y residuos y evita que se vuelva a depositar en los platos durante el ciclo de enjuague.

Para limpiar este filtro, sujete la parte superior y tire del conjunto. Deseche todos los elementos de este filtro y luego enjuague con agua tibia.

3. **Filtro principal:** Este filtro contiene las partículas de alimento más pequeñas.

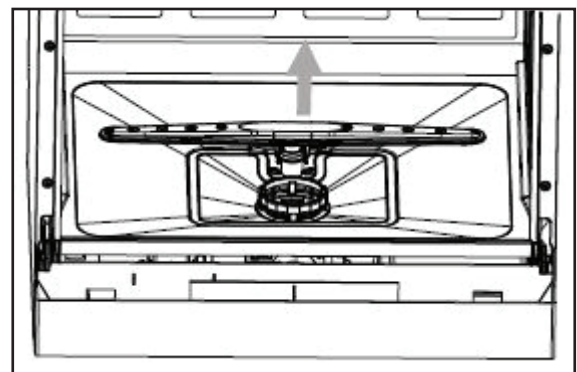
No es necesario limpiar manualmente este filtro ya que las partículas atrapadas por este filtro son pulverizadas por un chorro especial en el brazo rociador y se lavan por el desagüe.

Nota: Las tres piezas del filtro pueden salir de la unidad en una pieza y pueden ser difíciles de separar. Todavía es posible enjuagar y limpiar los filtros en una sola pieza y luego volver a colocarlos en el interior del aparato.



BRAZO ROCIADOR

El brazo rociador puede retirarse del aparato tirando suavemente hacia arriba. Enjuague el brazo rociador con agua tibia para eliminar cualquier escombros que pueda obstruir las boquillas. Vuelva a colocar el brazo rociador en el aparato empujando hacia abajo hasta que encaje en su lugar. Asegúrese de que el movimiento del brazo aspersor no se vea impedido antes de ejecutar otro ciclo.



CUIDADO Y MANTENIMIENTO

LIMPIEZA

- Desconecte el aparato de la fuente de alimentación antes de realizar cualquier limpieza o mantenimiento.
- Después de cada lavado, apague el suministro de agua y deje la puerta ligeramente abierta para que la humedad y los olores no queden atrapados dentro del aparato.
- Utilice únicamente un paño suave y detergente suave para limpiar el aparato. No utilice nunca disolventes ni productos de limpieza abrasivos, ya que pueden dañar el aparato.
- Para eliminar manchas de agua del interior del aparato, utilice un paño suave humedecido con una pequeña cantidad de vinagre.
- Si el aparato no se va a utilizar durante un largo período de tiempo, se recomienda ejecutar un ciclo de lavado normal con el lavavajillas vacío y luego dejar la puerta abierta hasta que el interior del aparato esté completamente seco. Esto ayudará a que los sellos de la puerta duren más y ayudará a prevenir que los olores se formen dentro del aparato.
- Limpie los sellos de la puerta con una esponja húmeda con regularidad para evitar olores de partículas de alimentos que pueden quedar atrapados en el sello de la puerta.

CÓDIGOS DE ERROR

E1: No hay suficiente agua para entrar en la unidad

- La fuente de agua no está encendida
- La ingesta de agua está restringida
- La presión del agua es demasiado baja

E3: No alcanzar la temperatura correcta

- Mal funcionamiento del elemento calefactor

E4: Desbordamiento de agua

- Mal funcionamiento del drenaje
- Obstruir el drenaje

Ed: Mal funcionamiento del tablero de control

- Error de comunicación interna

Si el dispositivo muestra algún código de error, un restablecimiento de energía puede resolver el problema. Desconecte el aparato, espere aproximadamente 5 minutos y vuelva a conectar la unidad.

SOLUCIÓN SUGERIDA

Danby cuidado del consumidor: 1-800-263-2629

Horas de operación:

Lunes a Jueves 8:30 am - 6:00 pm Hora estándar del este

Viernes 8:30 am - 4:00 pm Hora estándar del este

La información de este manual está sujeta a cambios sin previo aviso.

PROBLEMA	POSSIBLE CAUSA
Ninguna energía	<ul style="list-style-type: none">• Se puede quemar un fusible o disparar el disyuntor• Sobrecarga de energía• El enchufe no está completamente insertado en la toma de corriente• Puerta no cerrada correctamente
Agua no drenada del lavaplatos	<ul style="list-style-type: none">• Doblar en la manguera de desagüe• Filtro tapado• Funcionamiento incorrecto de la bomba de drenaje
Detergente en el dispensador	<ul style="list-style-type: none">• Platos que bloquean la apertura total del dispensador; La unidad puede estar sobrecargada
Las espumas dejadas en el aparato	<ul style="list-style-type: none">• Demasiado detergente o tipo incorrecto de detergente• Demasiado agente de enjuague
Película blanca o nubosidad en los platos o en la bañera interior	<ul style="list-style-type: none">• Minerales de agua dura• Demasiado detergente• No hay suficiente agente de enjuague
Ruido dentro de la bañera durante el funcionamiento	<ul style="list-style-type: none">• El brazo rociador está golpeando un artículo en la cesta• Un artículo se ha caído de la cesta y está en el fondo de la tina de la colada
Los platos no están limpios	<ul style="list-style-type: none">• Los platos se cargaron incorrectamente• El programa de lavado no era lo suficientemente potente• No hay suficiente detergente• Los artículos bloquean los brazos rociadores; La unidad puede estar sobrecargada• Filtro tapado
Los platos no se secan	<ul style="list-style-type: none">• Los platos se cargaron incorrectamente• Se cargaron demasiados platos• No hay suficiente agente de enjuague• Platos eliminados con demasiada rapidez
Fuga de agua en el adaptador del grifo	<ul style="list-style-type: none">• Arandela de grifo puede ser demasiado gruesa; retire la arandela gruesa del adaptador del grifo y reemplácela con la arandela delgada de la bolsa de accesorios

GARANTÍA LIMITADA "ACARREADO SOLAMENTE"

Este producto de calidad está garantizado contra defectos de fabricación, incluyendo partes y mano de obra, siempre y cuando la unidad se utilice bajo las condiciones normales de funcionamiento para las que fue diseñado.

Esta garantía está solamente disponible para la persona que haya comprado originalmente esta unidad directamente de Danby Products Limited (Canada) o Danby Products Inc. (U.S.A.) (en adelante "Danby") o uno de sus distribuidores autorizados, y no es transferible.

CONDICIONES DE LA GARANTÍA

Las piezas plásticas, se autorizan por treinta (30) días solamente a partir de la fecha de la compra, sin las extensiones proporcionadas.

Primeros 12 meses Durante los primeros **doce (12) meses**, cualquier parte en buen estado de este producto que resulte defectuosa, incluyendo cualquier sistema sellado, será reparado o reemplazado, a opción del fabricante, sin cargo para el comprador original.

Para obtener servicio Póngase en contacto con el distribuidor donde adquirió el electrodoméstico o póngase en contacto con el centro de servicio autorizado más cercano de Danby, donde el servicio debe ser realizado por un técnico cualificado. Si el servicio es realizado por cualquier persona que no sea un depósito de servicio autorizado, todas las obligaciones de Danby bajo esta garantía serán nulas.

Es responsabilidad del comprador transportar el aparato al centro de servicio autorizado más cercano.

Los cargos de transporte desde y hacia el lugar de servicio no están protegidos por esta garantía y son responsabilidad del comprador.

Nada dentro de esta garantía implica que Danby será responsable por cualquier daño que hayan sufrido los alimentos u otros contenidos de este aparato, ya sea debido a un defecto del aparato, o su uso, adecuado o inadecuado.

EXCLUSIONES

Salvo lo aquí indicado por Danby, no existen otras garantías, condiciones o representaciones, explícitas o implícitas, concretas o intencionales por parte de Danby o sus distribuidores autorizados y todas las demás garantías, condiciones o representaciones, incluyendo cualquier garantía, condiciones o representaciones bajo cualquier Acta de Venta de Productos o legislación o estatuto similar, quedan de esta forma expresamente excluidas. **Salvo lo aquí indicado, Danby no serán responsables por ningún daño a personas o bienes, incluyendo la propia unidad, sin importar su causa, o de ningún daño indirecto causado por el desperfecto de la unidad, y al comprar esta unidad, el comprador acepta por la presente, indemnizar y proteger a Danby contra cualquier reclamo por daños a personas o bienes causados por la unidad.**

CONDICIONES GENERALES

No se considerará ninguna de estas garantías o seguros cuando el daño o la necesidad de reparación sea el producto de los siguientes casos:

- 1) Falla del suministro eléctrico.
- 2) Daños en tránsito o durante el transporte de la unidad.
- 3) Alimentación incorrecta, como bajo voltaje, instalación eléctrica defectuosa o fusibles inadecuados.
- 4) Accidente, modificación, abuso o uso incorrecto del artefacto, tal como insuficiente ventilación del ambiente o condiciones de operación anormales (temperatura ambiente extremadamente alta o baja).
- 5) Utilización comercial o industrial (v.g., si el electrodoméstico no está instalado en una vivienda particular).
- 6) Incendio, daños por agua, robo, guerra, disturbios, hostilidades, actos de fuerza mayor como huracanes, inundaciones, etc.
- 7) Pedidos de servicio debido a desinformación del usuario.
- 8) Instalación inadecuada (v.g., instalación de un electrodoméstico independiente o uso de un aparato al aire libre que no esté aprobado para aplicaciones en exteriores, incluyendo pero no limitado a: garajes, patios, porches o cualquier lugar que no esté bien aislado o controlado por el clima).

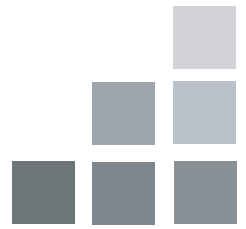
Se requerirá una prueba de la fecha de compra para reclamaciones de garantía; conservar las facturas de venta. En el caso de que se requiera servicio de garantía, presente el comprobante de compra a nuestro depósito de servicio autorizado.

Servicio de Garantía
Acarreado Solamente

Danby Products Limited
PO Box 1778, Guelph, Ontario, Canada N1H 6Z9
Telephone: (519) 837-0920 FAX: (519) 837-0449

1-800-263-2629
04/17

Danby Products Inc.
PO Box 669, Findlay, Ohio, U.S.A. 45840
Telephone: (419) 425-8627 FAX: (419) 425-8629



MODEL • MODÈLE • MODELO

DDW631WDB

DDW631SDB