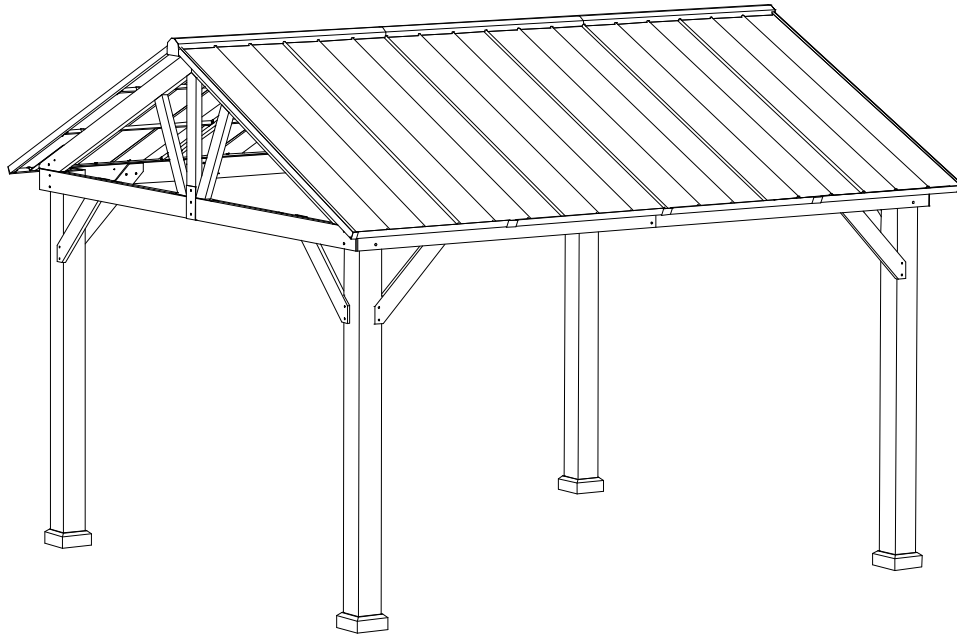


ASSEMBLY INSTRUCTION
ITEM#: A102008000



WE HAVE YOU IN MIND, LET US SERVE YOU!

Questions? Issues?

CONTACT US

24 hours / 7 days a week

 Warranty Parts

www.sunjoyonline.com



customer.care@sunjoygroup.com

Toll Free 

1-(866)-578-6569

Important Safety Instructions



Warning! To reduce the risk of serious injury, read the following safety instructions before assembling and using the gazebo.

Please check with your local governing authority/local municipal codes regarding installation of structures before assembly.

Caution! Proper placement of your gazebo is essential.

Do not place the product underneath electrical lines.

Keep children away during assembly.

This product contains small parts which can be swallowed by children.

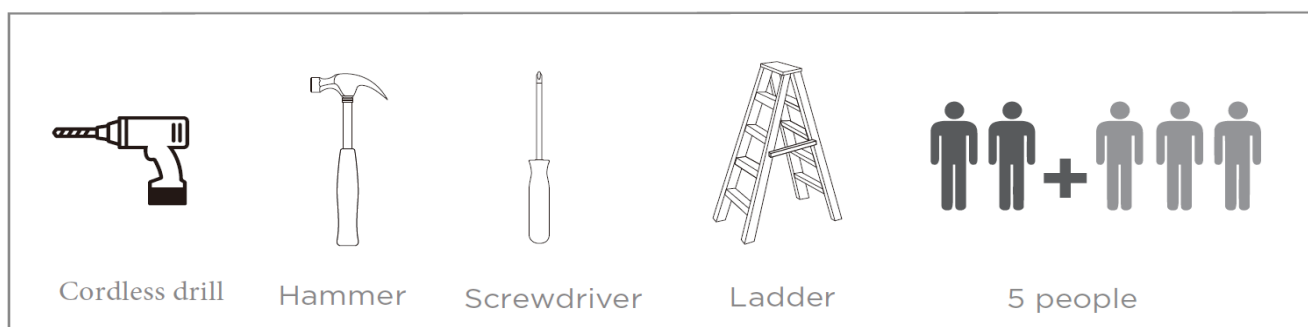
Keep fingers away from the places where they can be pinched or trapped.

Do not attempt to assemble the gazebo if any parts are missing.

- This product is intended for domestic outdoor use only.
- The product should be placed on flat, horizontal ground.
- Ensure enough clearance around the product. Before assembling the product, find level ground not less than 6' (1.8 m) away from any structures or obstructions, such as fences, garages, houses, overhanging branches, laundry lines, or electrical wires.
- This gazebo is not to be regarded as part of a building/house structure. The gazebo is to be anchored onto the ground for added safety. Do not assemble the gazebo onto soil/earth ground. It is best advisable to have the gazebo built onto a wooden deck or concrete ground for stability. If it is to be build onto a wooden deck/ground, do ensure that the wooden deck/ground has a strong foundation. It is advisable to use appropriate floor plugs (not provided) to anchor the gazebo onto the wooden/concrete ground.
- Some structures may require two or more people to install safely. Check for underground utilities before digging or driving stakes into the ground.
- During installation, follow all safety warnings provided with your tools, and use safety glasses.
- In case you set up more than one gazebo, keep a minimum distance of 10' (3 m) between the gazebos.
- Any assembly or maintenance of the product must be carried out by adults only.
- Arrange necessary manpower when assembling or moving the product.
- Some parts may contain sharp edges. Wear protective gloves if necessary.
- Keep children and pets away while setting up the gazebo.
- Check all nuts and bolts periodically to ensure bolts/nuts are tightened.
- Repairing and replacing parts should be done by a qualified technician.
- This gazebo is intended for decorative and sunshade purposes only, and it is not designed to withstand harsh weather, including high winds, rain, and snow.
- Do not light any fires inside or near the product!
- Stay calm if fire breaks out. Search for the nearest exit. Do not return to the gazebo before firemen allow you to do so.
- Do not hang heavy weights on the roof frame.
- Do not climb onto the roof of the gazebo. Falling off the gazebo can result in serious injury.
- Retain the original packaging to store the gazebo.

IMPORTANT:

- Please read and understand this manual before any assembly. Before beginning assembly of product, make sure all parts are present. Compare parts with packaging contents list.
- If any part is missing, or if you have any questions, contact the service centre at 1-(866)-578-6569 (toll free).
- **When assembling wooden parts, do not overtorque the bolts to avoid splitting the wood. See image illustration.**
- Place all parts from the box in a cleared area and position them on the floor in front of you.
- Remove all packing materials and place them back into the box. Do not dispose of the packing materials until assembly is complete.
- Read each step carefully before beginning any assembly and make sure you understand each step. If you are missing a part, please call our toll-free number for assistance 1-(866)-578-6569.
- Needed for assembly: (The following tools are not included)



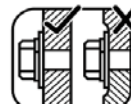
This identifies information that requires special attention. Improper assembly could lead to an unsafe or dangerous condition.

**Use Level**

Check that set or assembly is properly level before proceeding.

**Square Assembly**

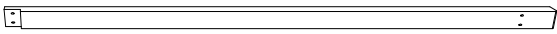
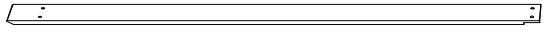
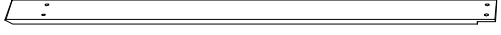
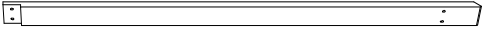


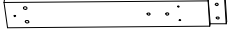



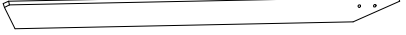
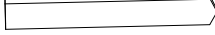



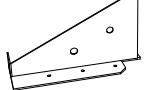
Check that assembly is square before tightening bolts.

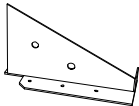
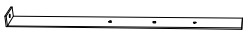
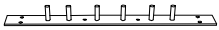












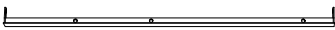

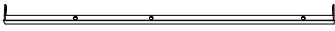

**Tighten Bolts**





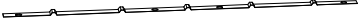
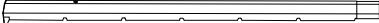
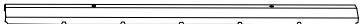
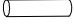
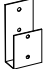
Do not overtorque mounting bolts. Over-tightening may cause the wood to crack creating splinters and other structural damage.

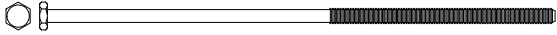
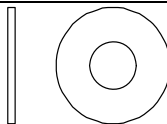
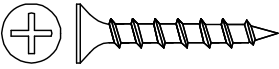
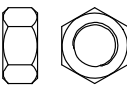
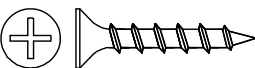
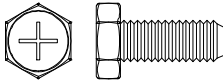
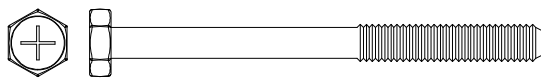
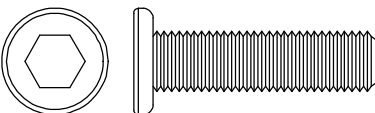
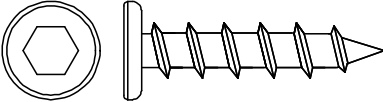
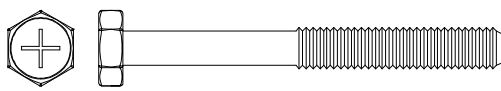
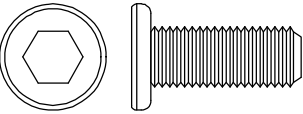
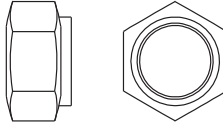
**Measure Distance**

Parts List

Label	Part Number	Description	Qty	Part Image
02	P000400507	Outer Long Right Beam (Long)	2	
01	P000400506	Outer Long Left Beam (Long)	2	
03	P000400508	Outer Long Left Beam (Short)	2	
04	P000400509	Outer Long Right Beam (Short)	2	
05	P000400510	Inner Middle Beam	4	
07	P000400511	Inner Short Beam (Long)	4	
06	P000400512	Inner Short Beam (Short)	4	
08	P000200227	Post	4	
10	P005000200	Arc Support 1	4	
11	P005000201	Arc Support 2	4	
13	P000601456	Triangular Support Beam	4	
14	P005000437	Triangular Middle Support Beam	2	
15	P005000436	Triangular Frame Slanting Beam	4	
B	P006100177	Base Cover	4	
C	P000100338	Base	4	
C1	P000501250	Triangular Connector 1	2	

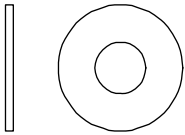
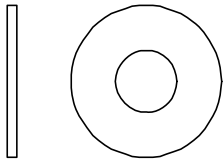
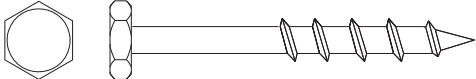
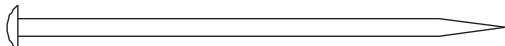
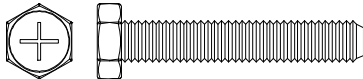


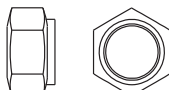

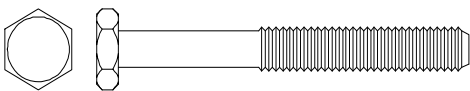


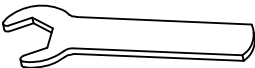
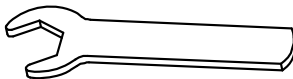
C2	P000501251	Triangular Connector 2	2	
C3	P000501252	Triangular Connector 3	4	
D	P000501253	Beam Upper Connector	2	
C4	P002200226	Triangular Upper Press	2	
F1	P000601447	Big Roof Beam 1	1	
F2	P000601448	Big Roof Beam 2	1	
G1	P000501247	Roof Beam Connector 1	1	
G2	P000501248	Roof Beam Connector 2	1	
G3	P000501249	Roof Beam Connector 3	1	
H	P000601446	Big Roof Middle Beam	6	
I	P000501246	Middle Beam Lower Connector	6	
J1	P005000434	Support Tube 1	3	
J2	P005000435	Support Tube 2	2	
P	P005800001	Hook	1	
L1	P000601449	Big Roof Lower Tube 1	2	
L2	P000601450	Big Roof Lower Tube 2	2	
L3	P000601451	Big Roof Lower Tube 3	2	
L4	P000601452	Big Roof Lower Tube 4	2	
M1	P000601454	Big Roof Side Tube 1	2	

M2	P000601455	Big Roof Side Tube 2	2	
N	P000601453	Big Roof Small Beam	16	
O	P002200224	Small Beam Presser	8	
P1	P000700645	Roof Cover	12	
Q	P002200225	Press Panel	6	
R1	P000800255	Big Roof Cover 1	2	
R2	P000800256	Big Roof Cover 2	1	
S	P005100267	Steel Pin	12	
T	P005600322	Catch	2	

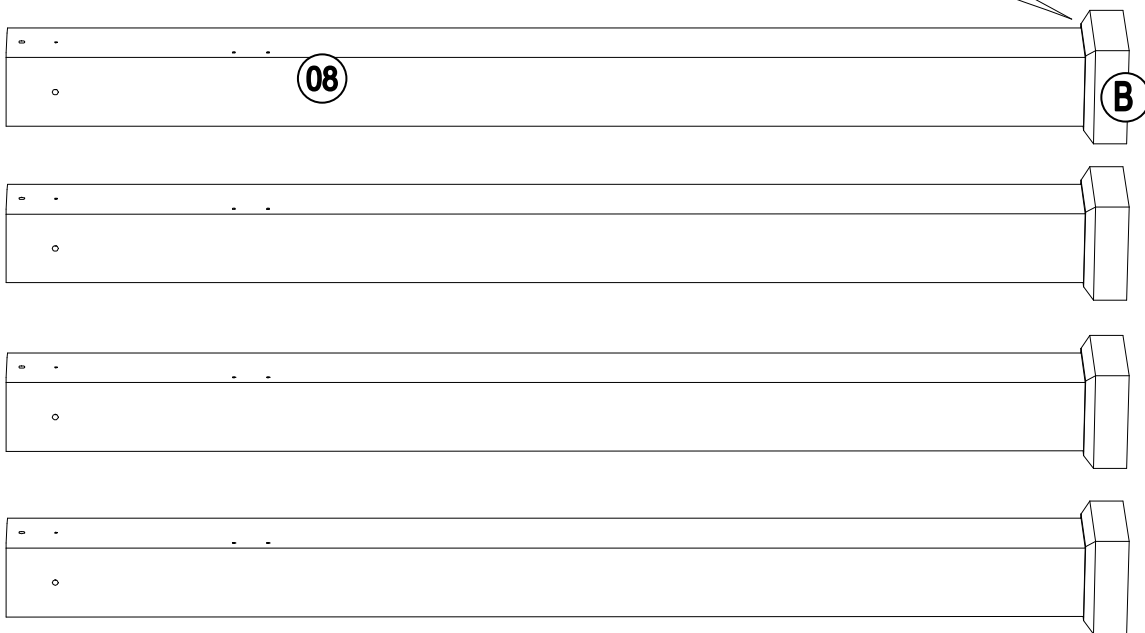
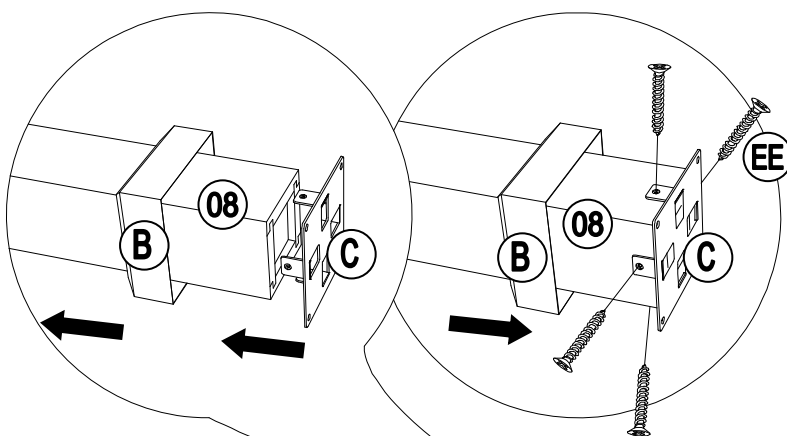
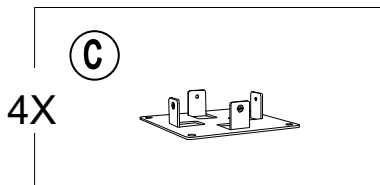
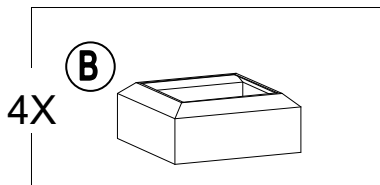
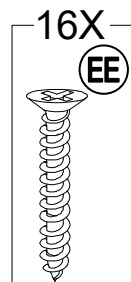
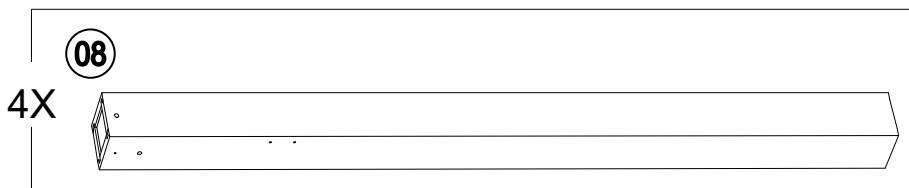
Hardware Pack					
Label	Part Number	Description	Qty	Add	Part Image
AA	H010010276	Bolt M10*205	8	1	
BB	H050010020	Flat Washer M6	174	9	
CC	H030050037	Screw M5*35	64	4	
DD	H040010004	Nut M6	16	1	
EE	H030050036	Screw M5*25	116	6	
FF	H010020011	Bolt M6*15	138	8	
GG	H010020024	Bolt M6* 75	4	1	
HH	H010030083	Bolt M8*35	16	1	
II	H030030010	Bolt M8*35	18	1	
JJ	H010020009	Bolt M6*55	12	1	
KK	H010030084	Bolt M8*25	24	2	
LL	H040050020	Non-slip Nuts M10	8	1	

Country of Origin: China

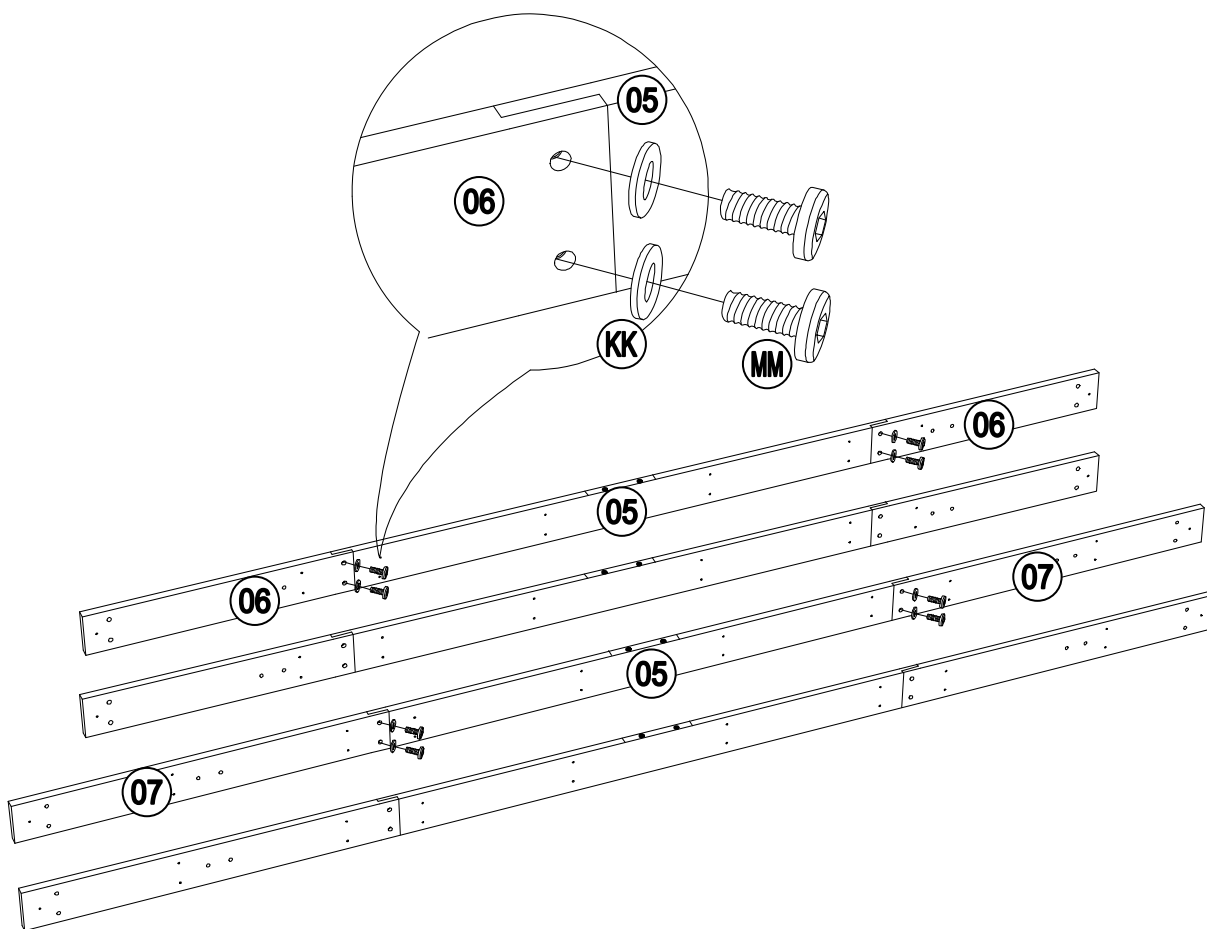
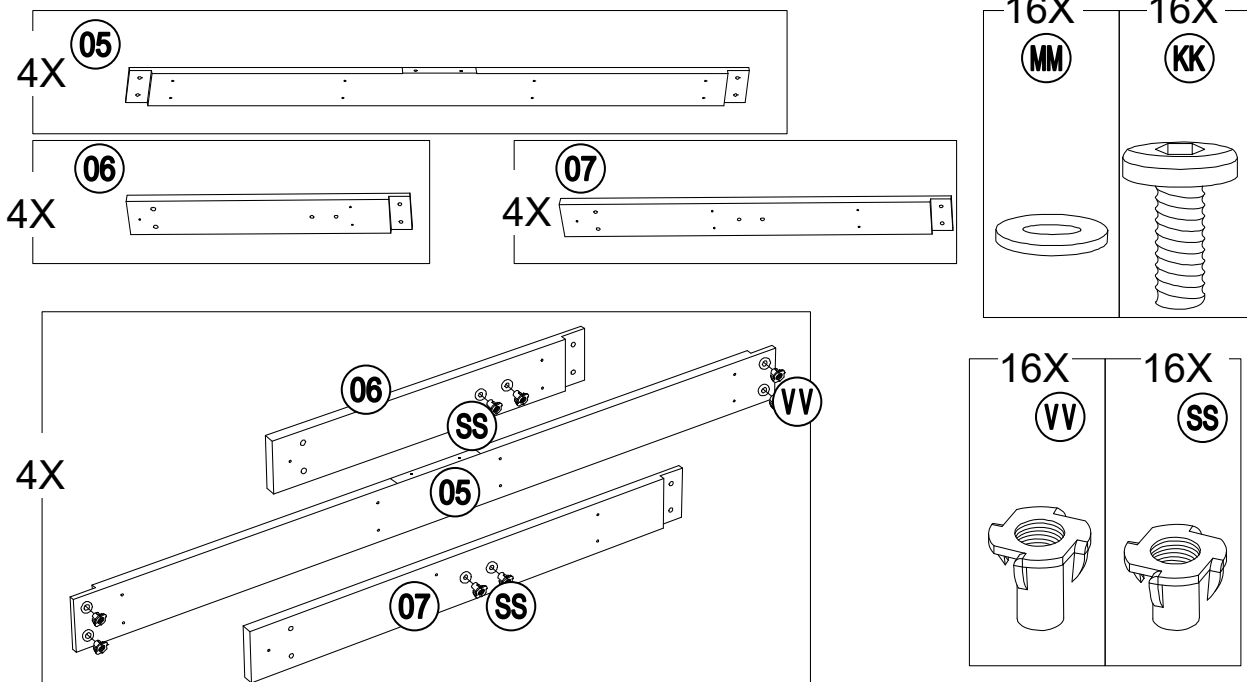
Call 1(866) 578-6569 for assistance.
Or visit us at www.sunjoyonline.com

MM	H050010060	Flat Washer M8	78	4	
NN	H050010059	Flat Washer M10	24	2	
OO	H030010031	Screw M10*80	8	1	
PP	H070010003	Stake $\Phi 8 \times 180$	8	0	
QQ	H010020013	Bolt M6*35	4	1	
RR	H090990002	M3 Drill	2	0	
SS	H040050024	T-Nut M8*20	16	1	
UU	H040050021	Non-slip nuts M8	10	1	
VV	H040050025	T-Nut M8*8	24	2	
WW	H010010363	Bolt M8*50	10	1	
Z1	H090010017	Wrench M6	2	0	
Z2	H090030003	Allen Key M8	1	0	
Z3	H090010004	Wrench M8	2	0	
Z4	H090010015	Wrench M10	2	0	

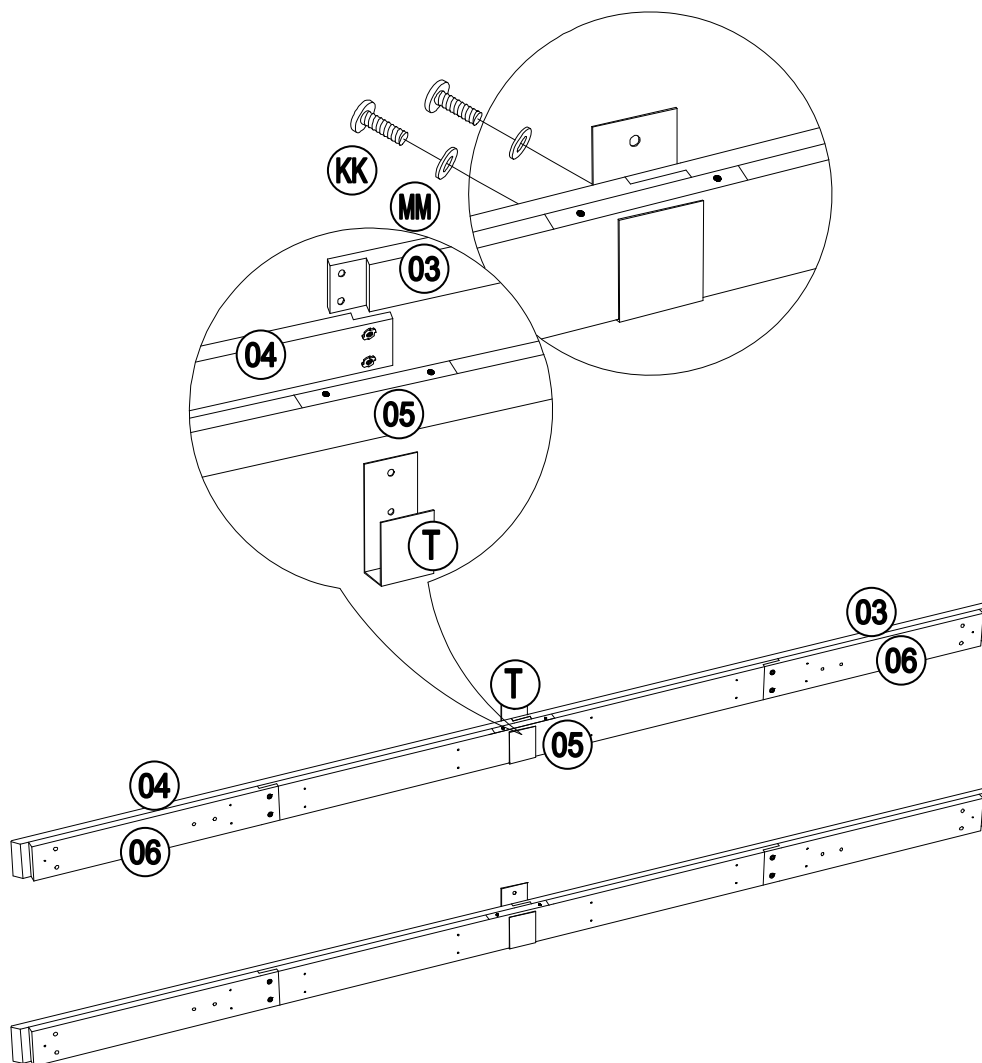
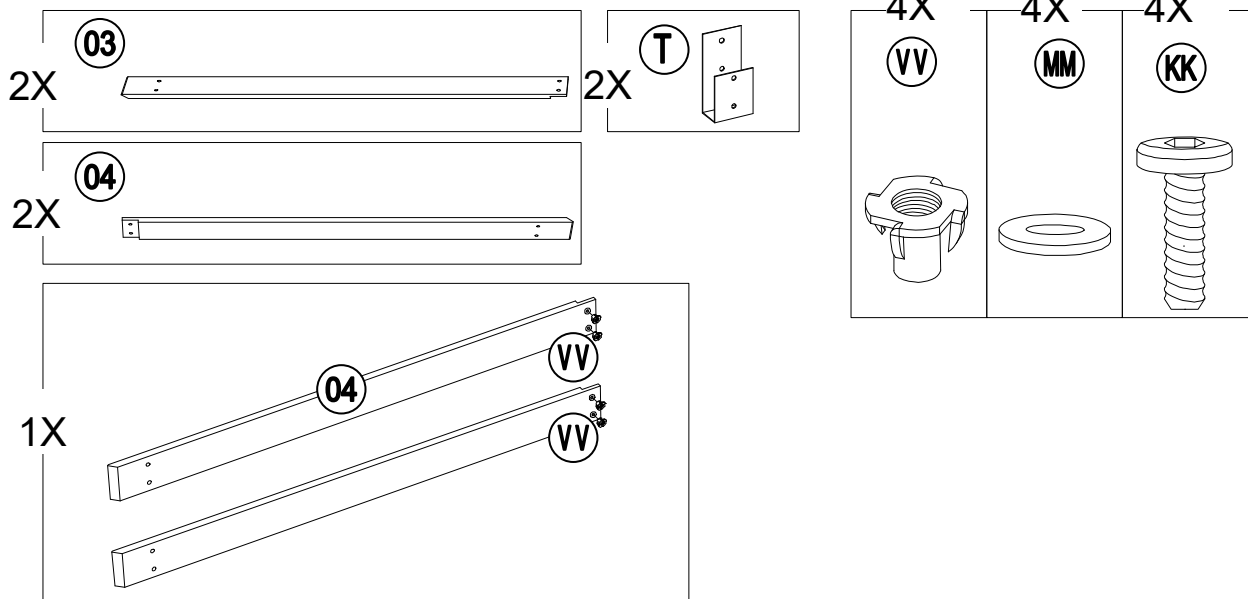
1



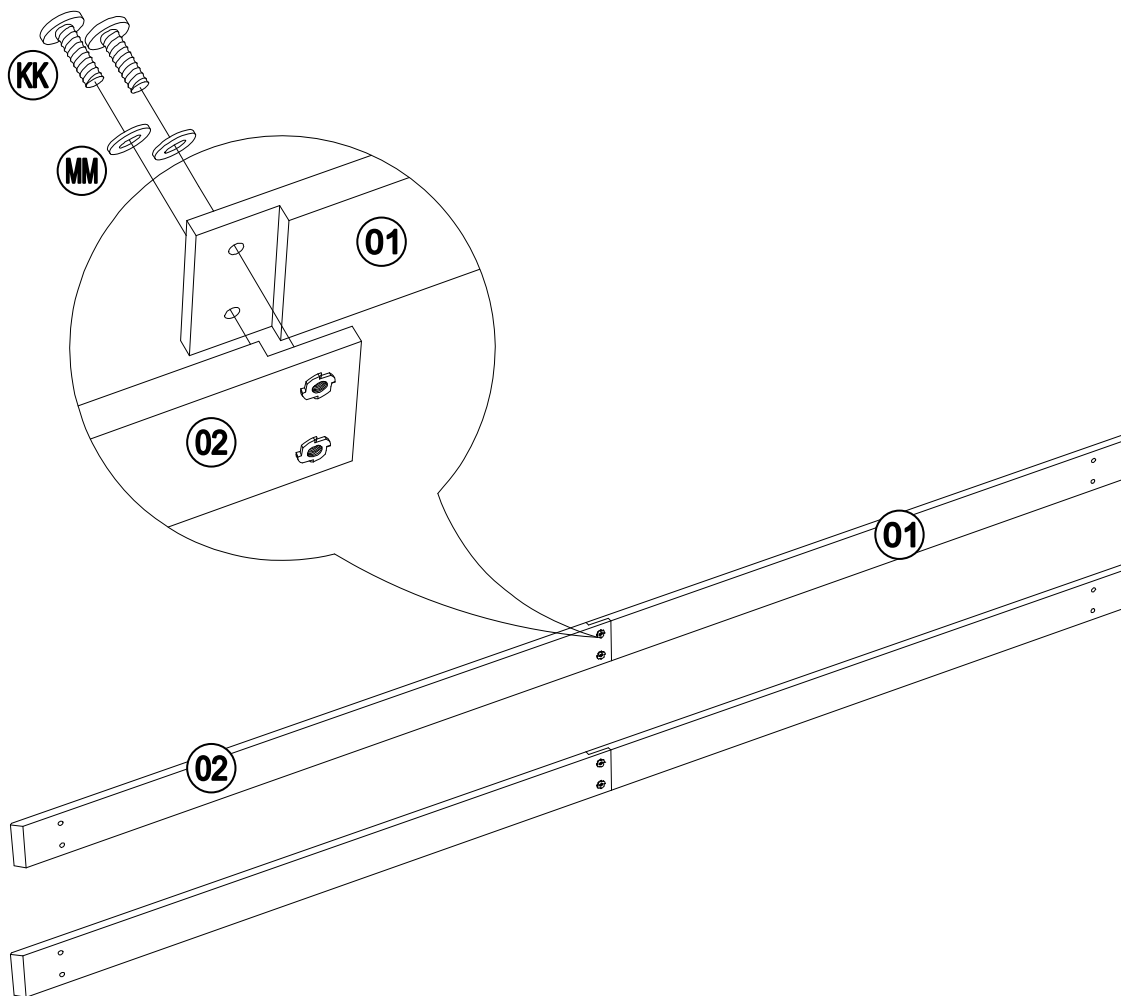
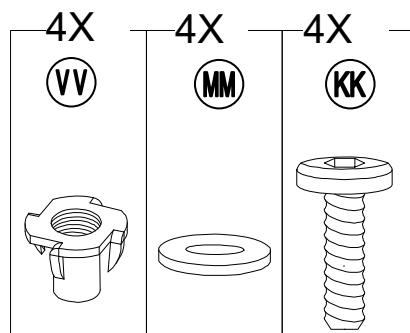
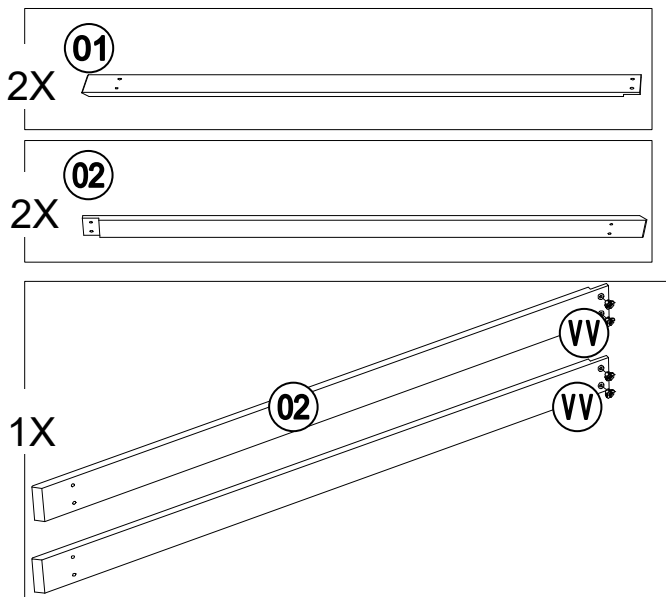
2



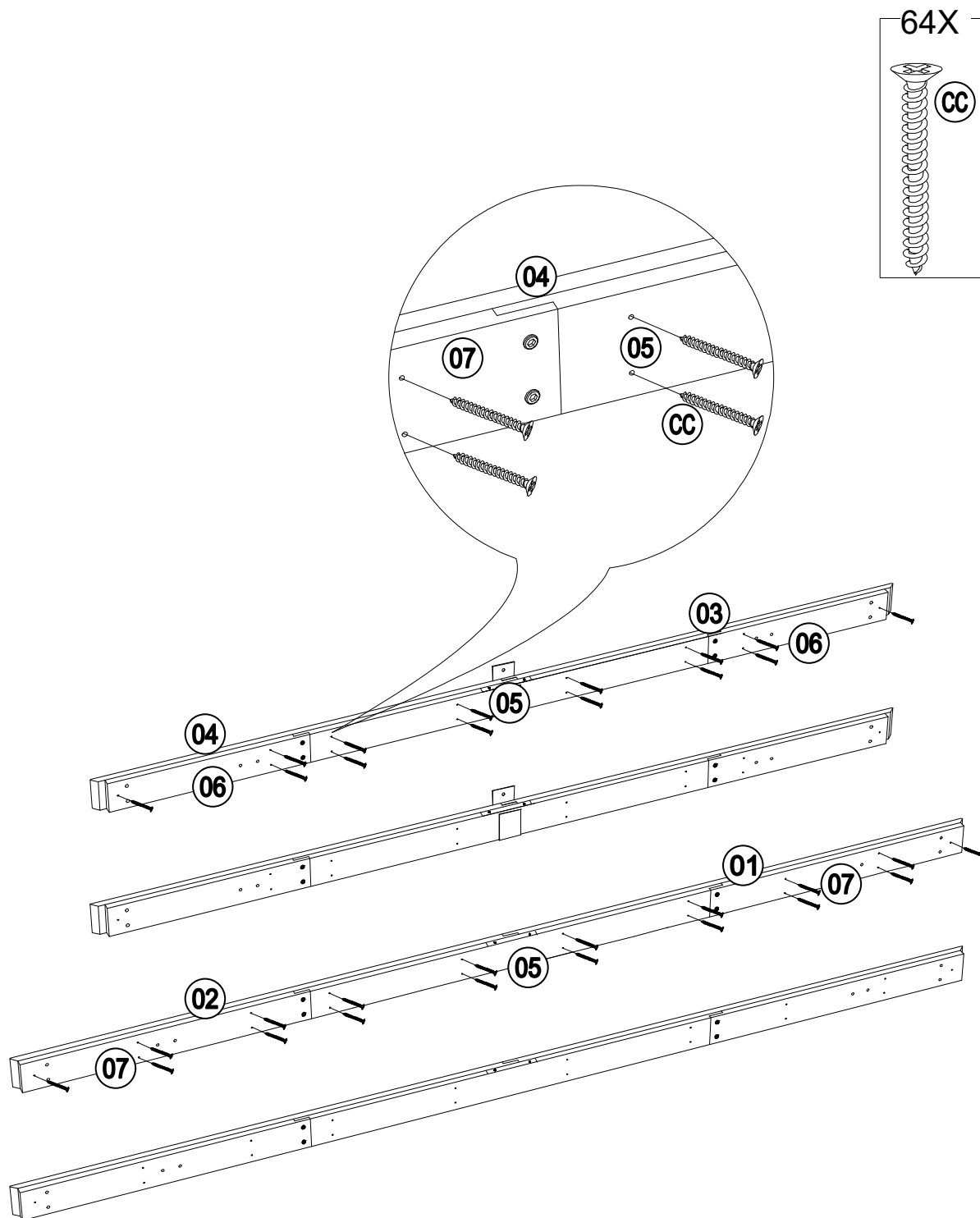
3



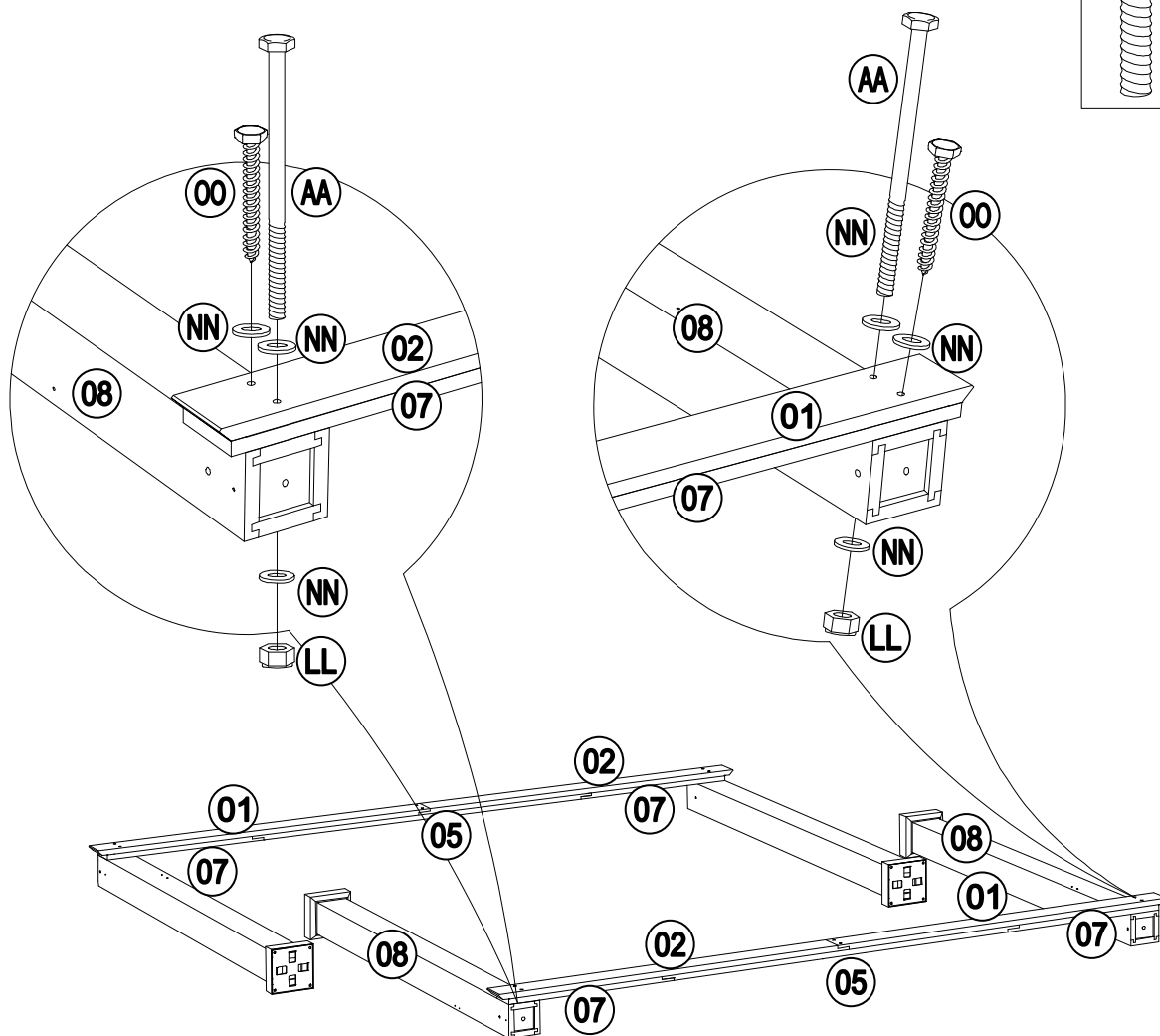
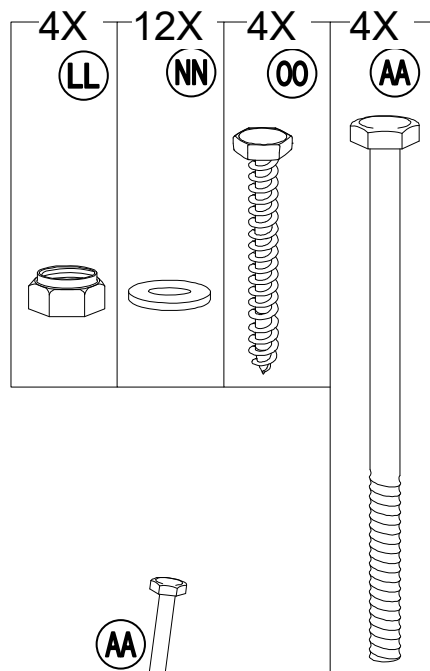
4



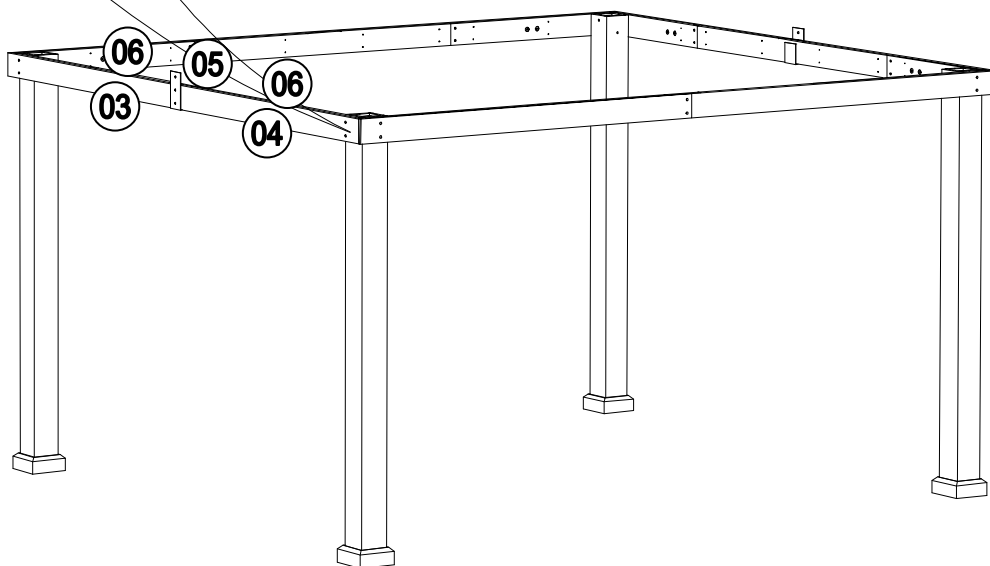
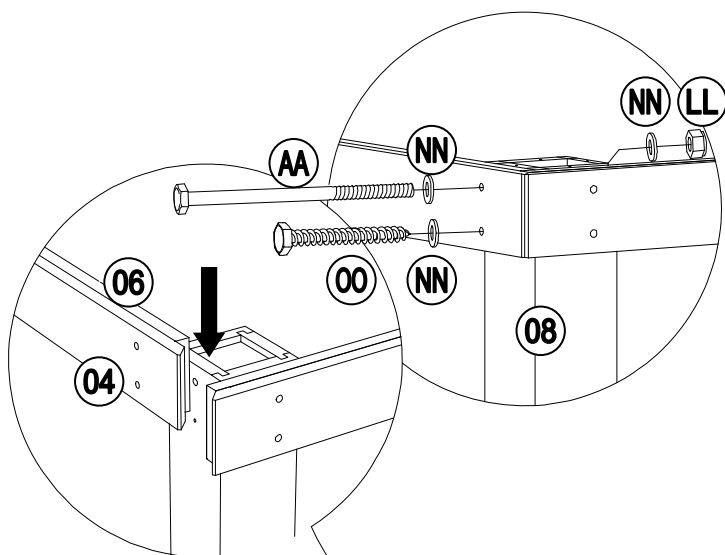
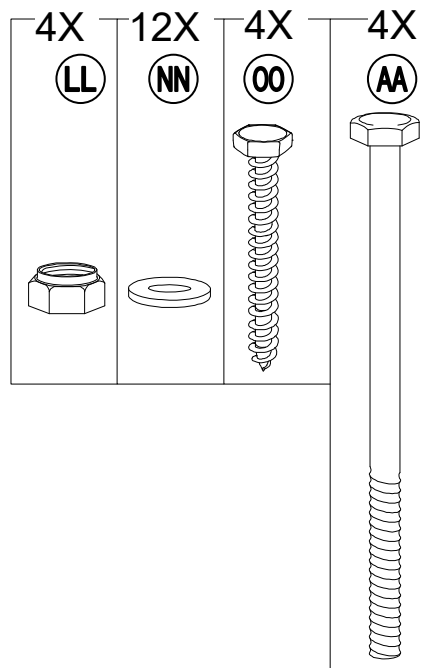
5



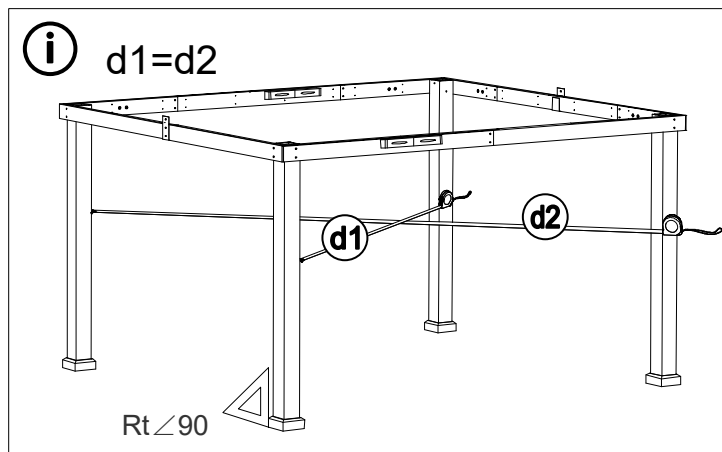
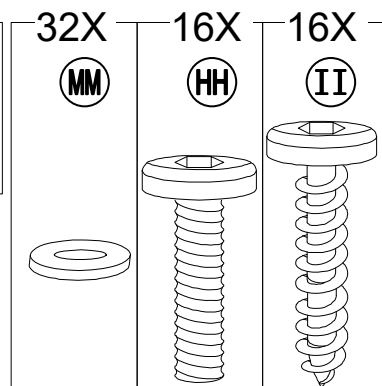
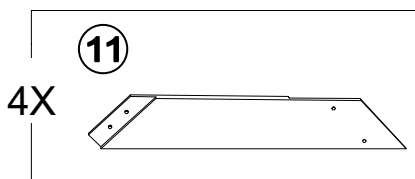
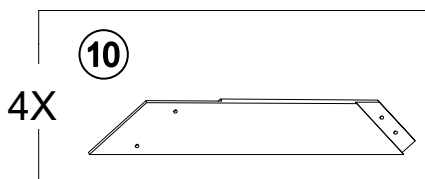
6



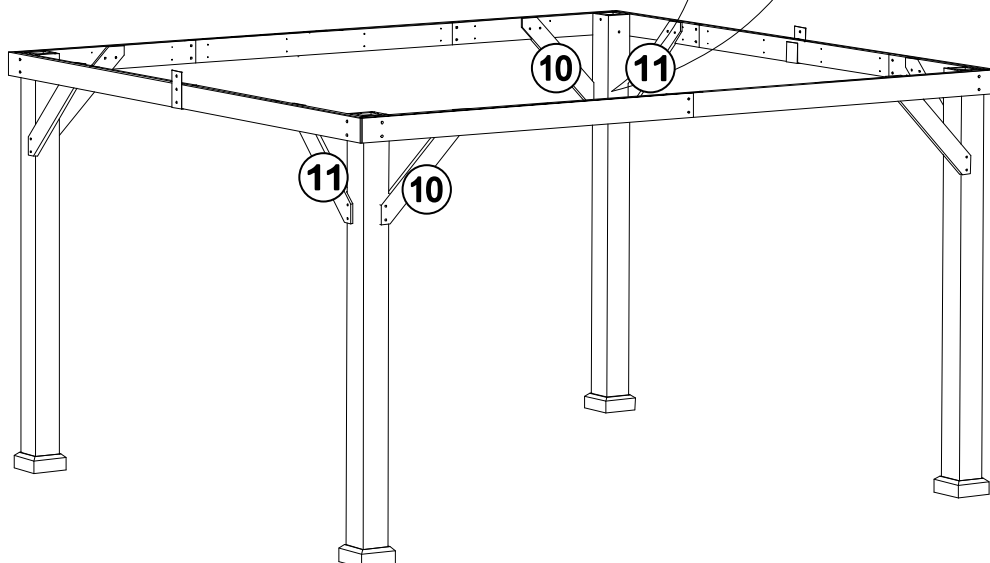
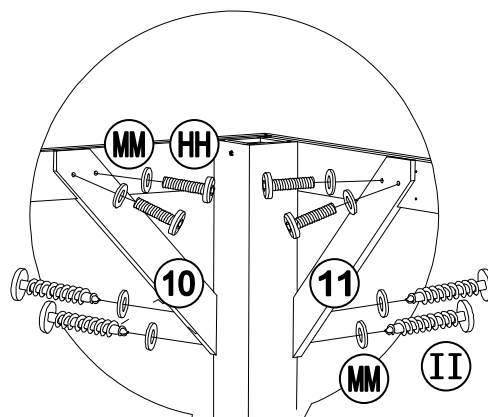
7



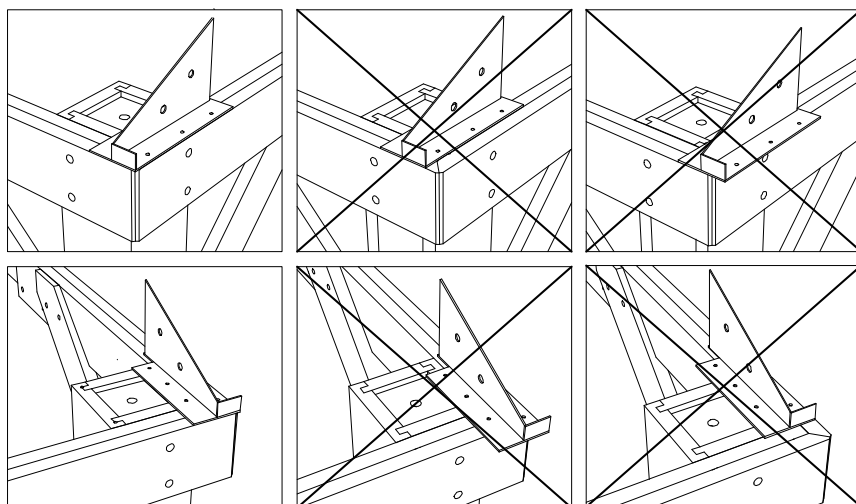
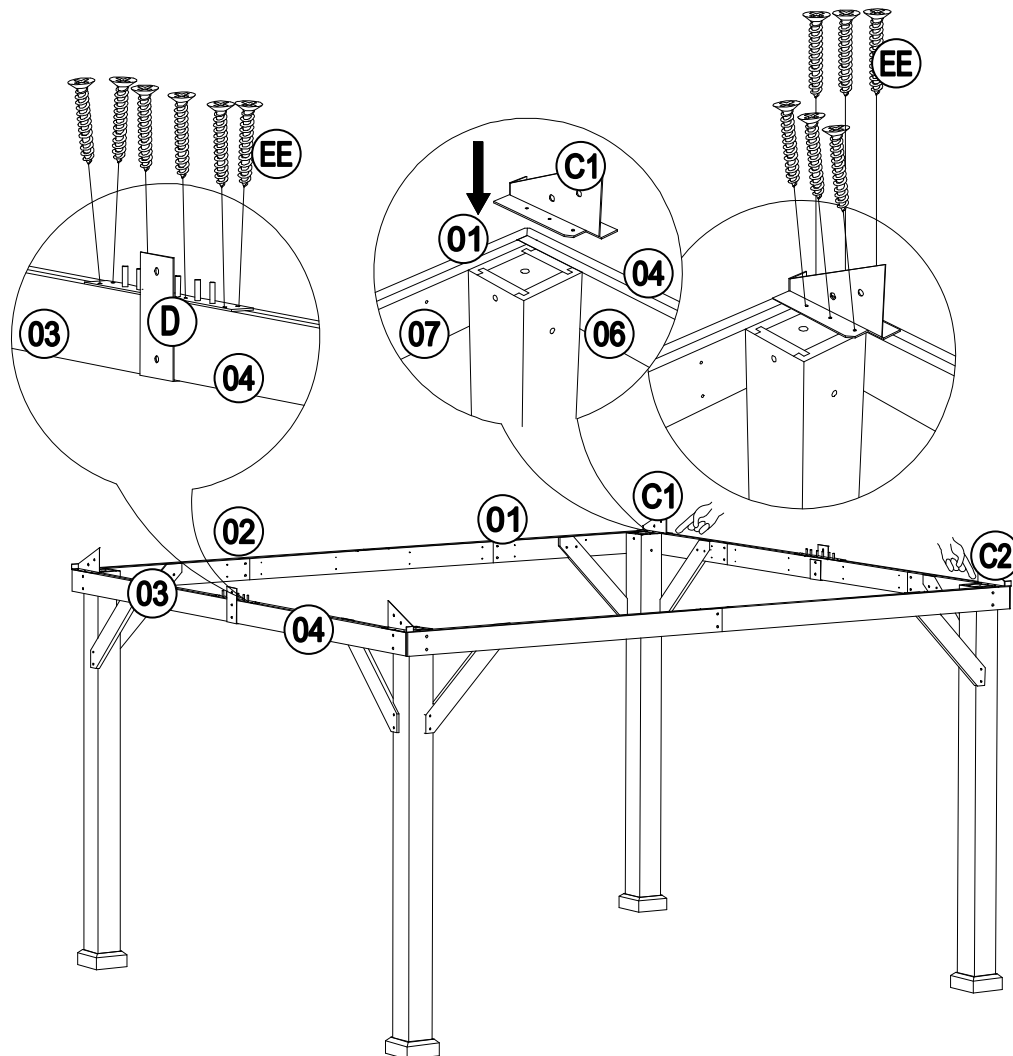
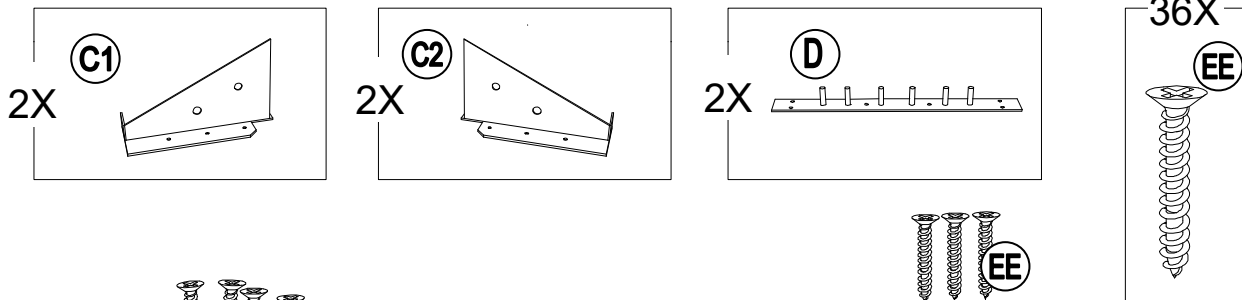
8



Assembly Tip on Step 8:
 Please measure to make sure the length of d1 is equal to d2 before moving to next step to ensure a square frame and best results. Keep the beam at right angles to the post, the post at right angles to the ground, and keep the beam horizontal.



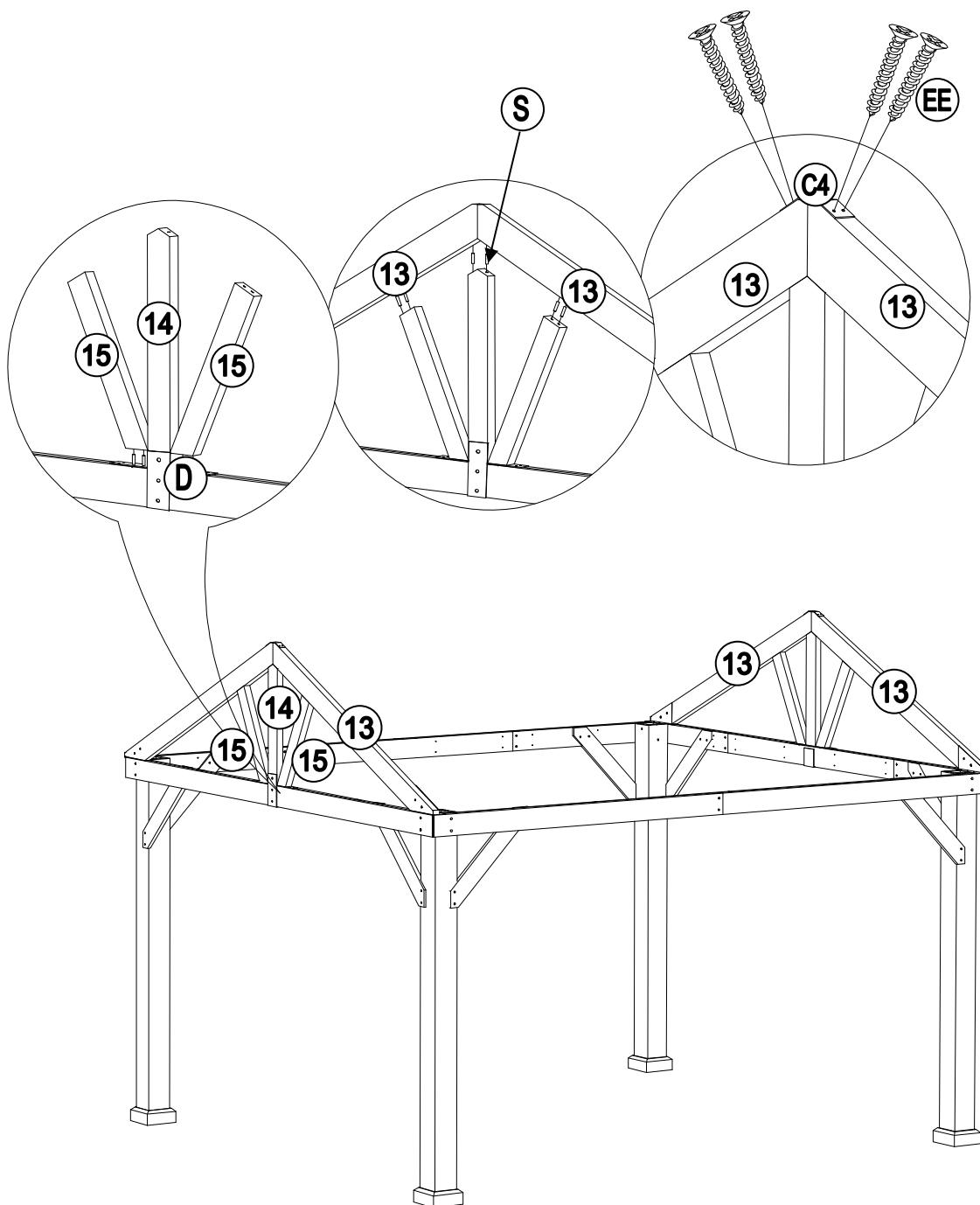
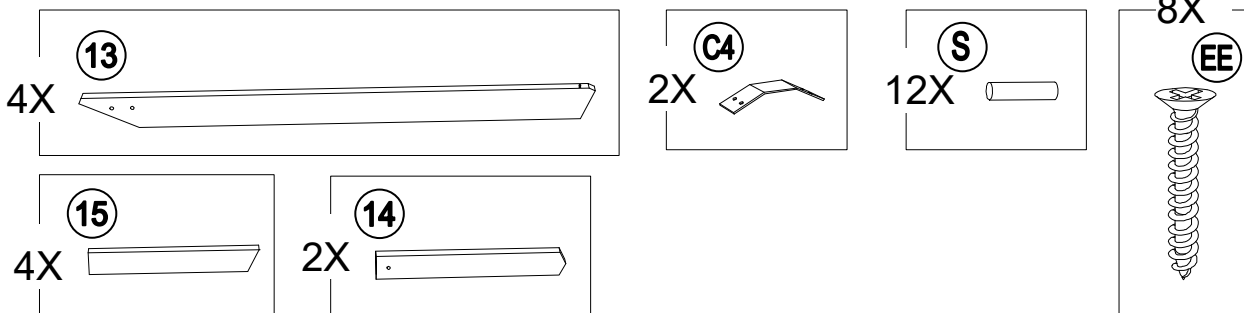
9



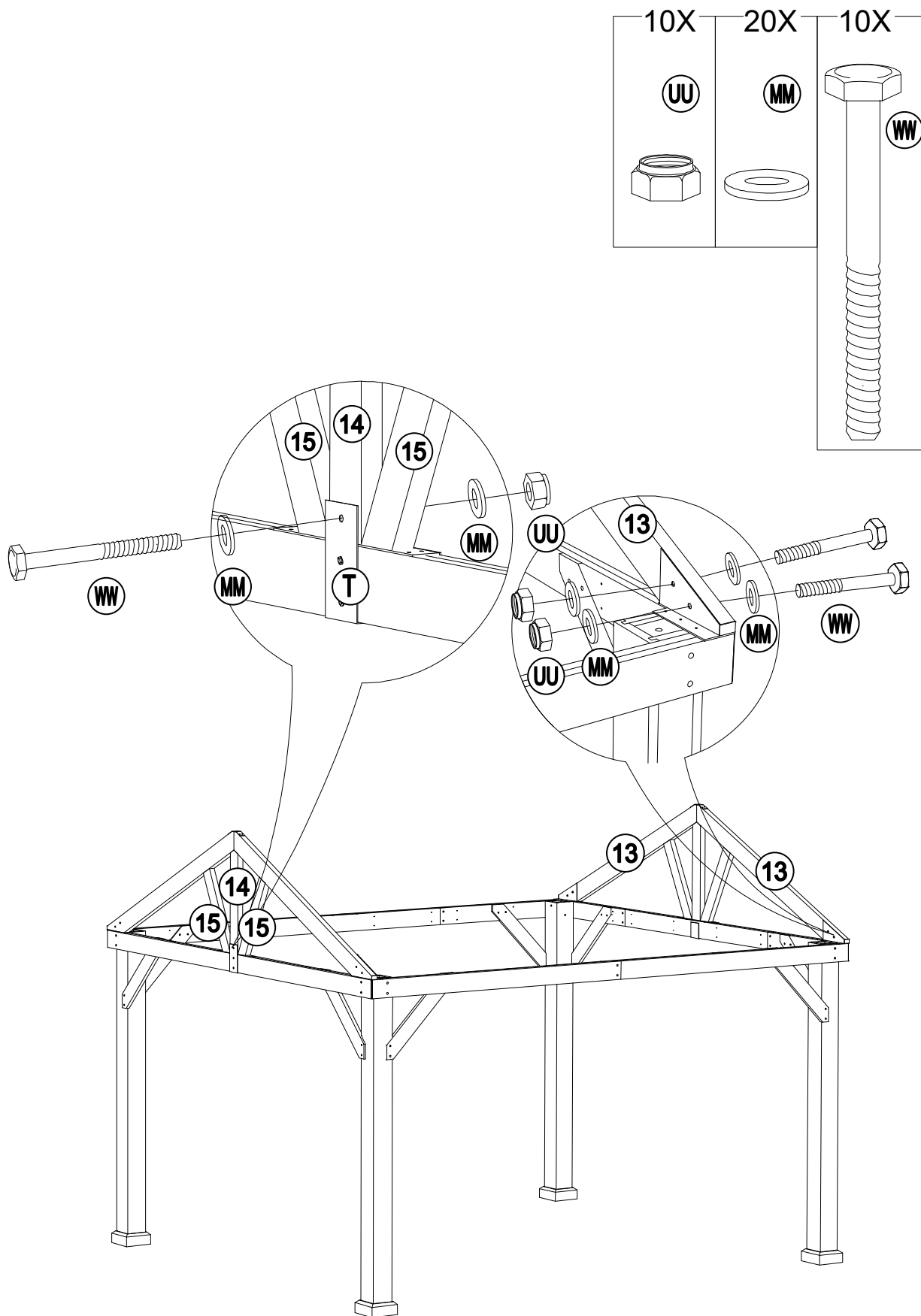
Country of Origin: China

Call 1(866) 578-6569 for assistance.
Or visit us at www.sunjoyonline.com

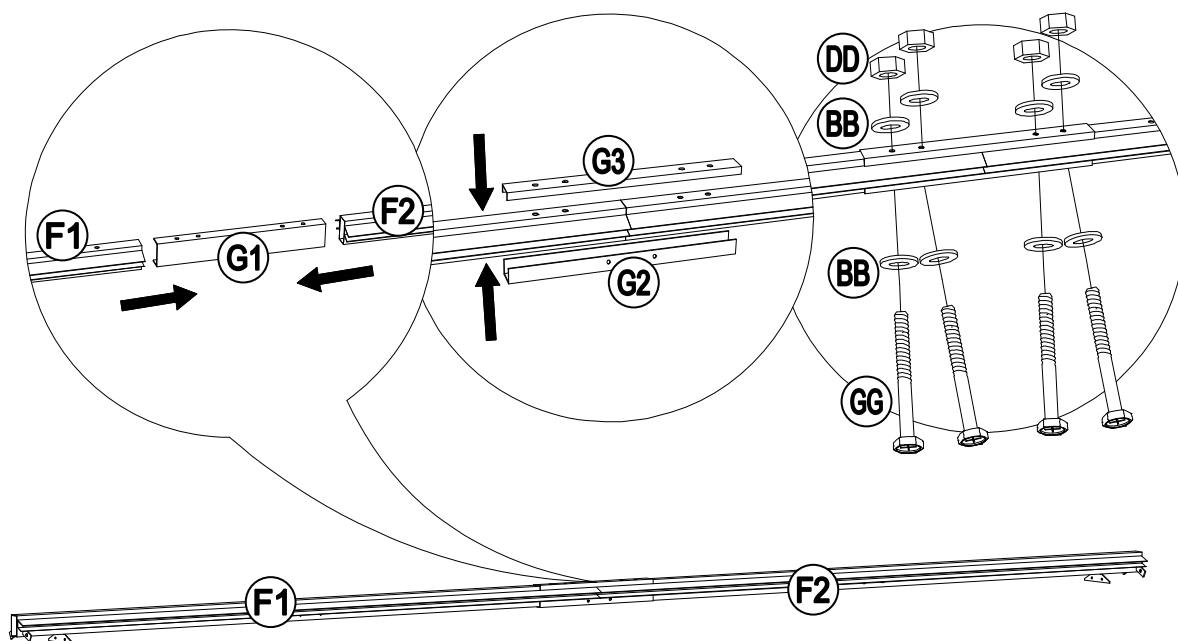
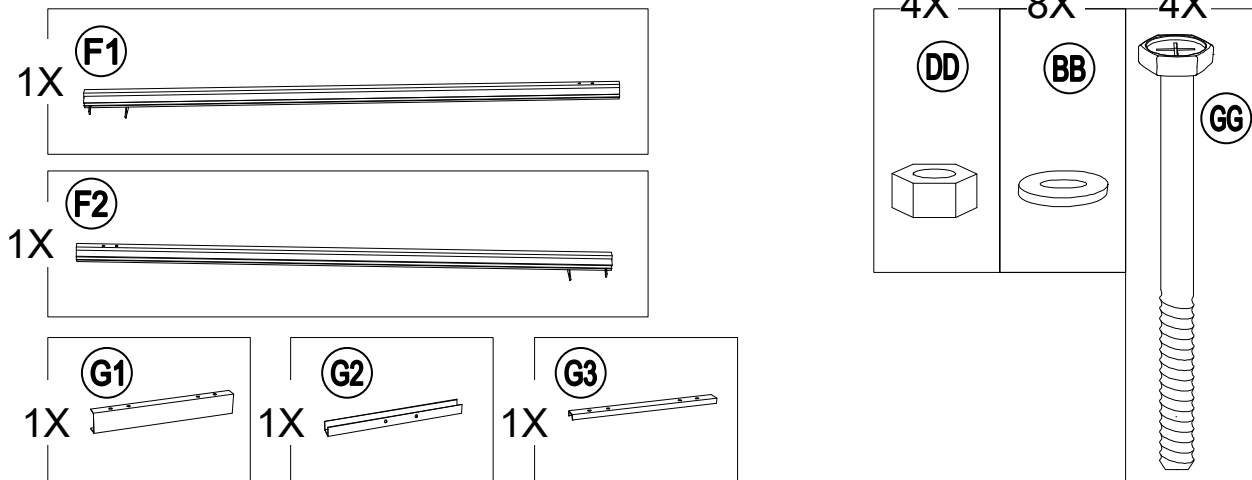
10



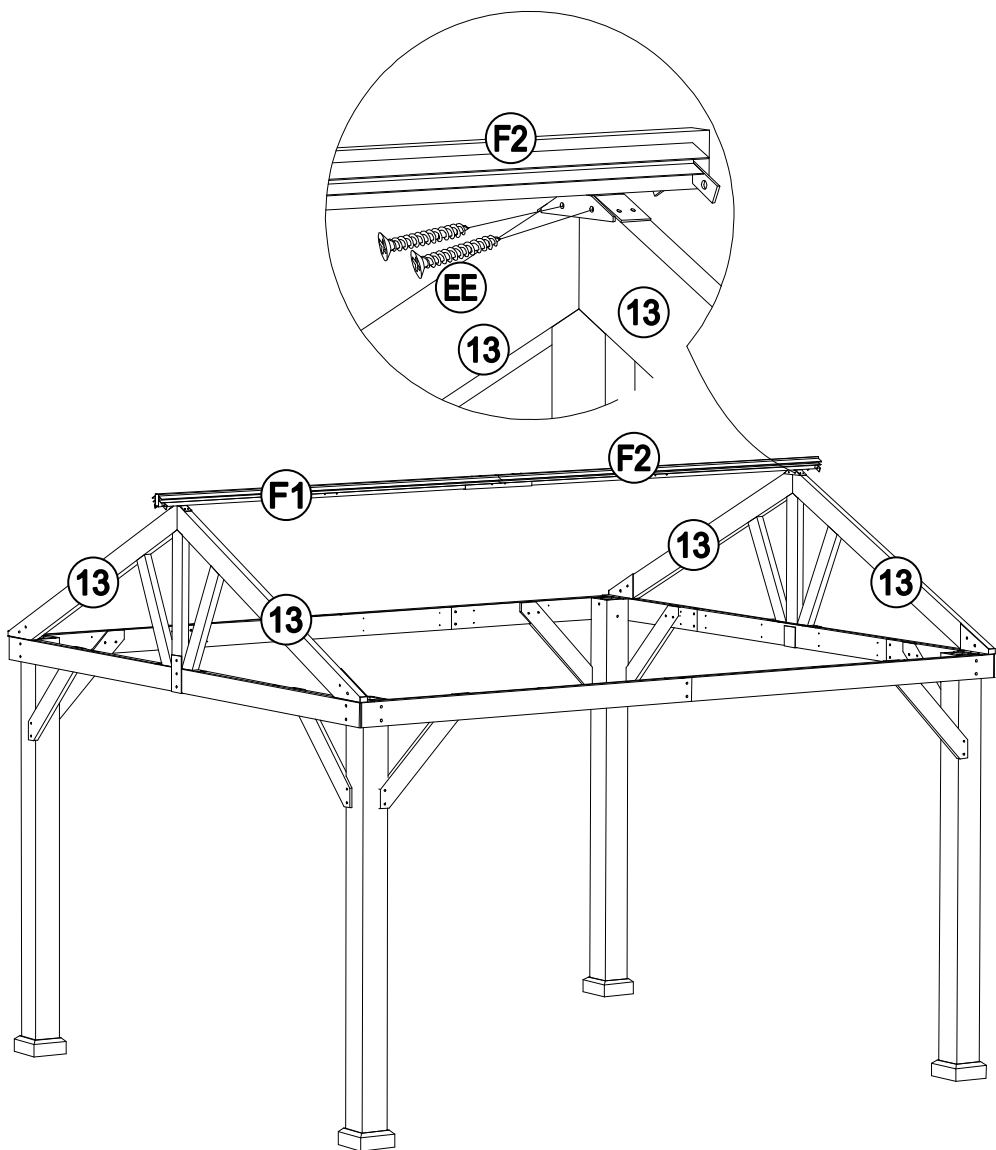
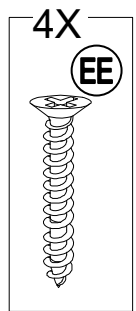
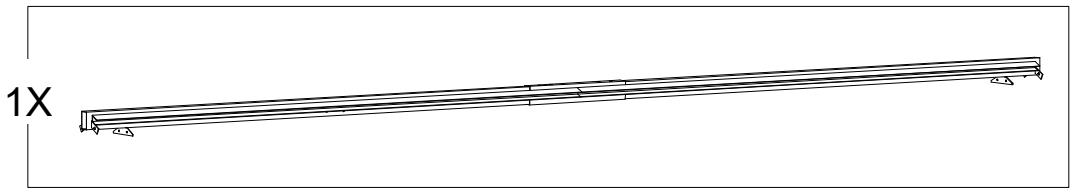
11



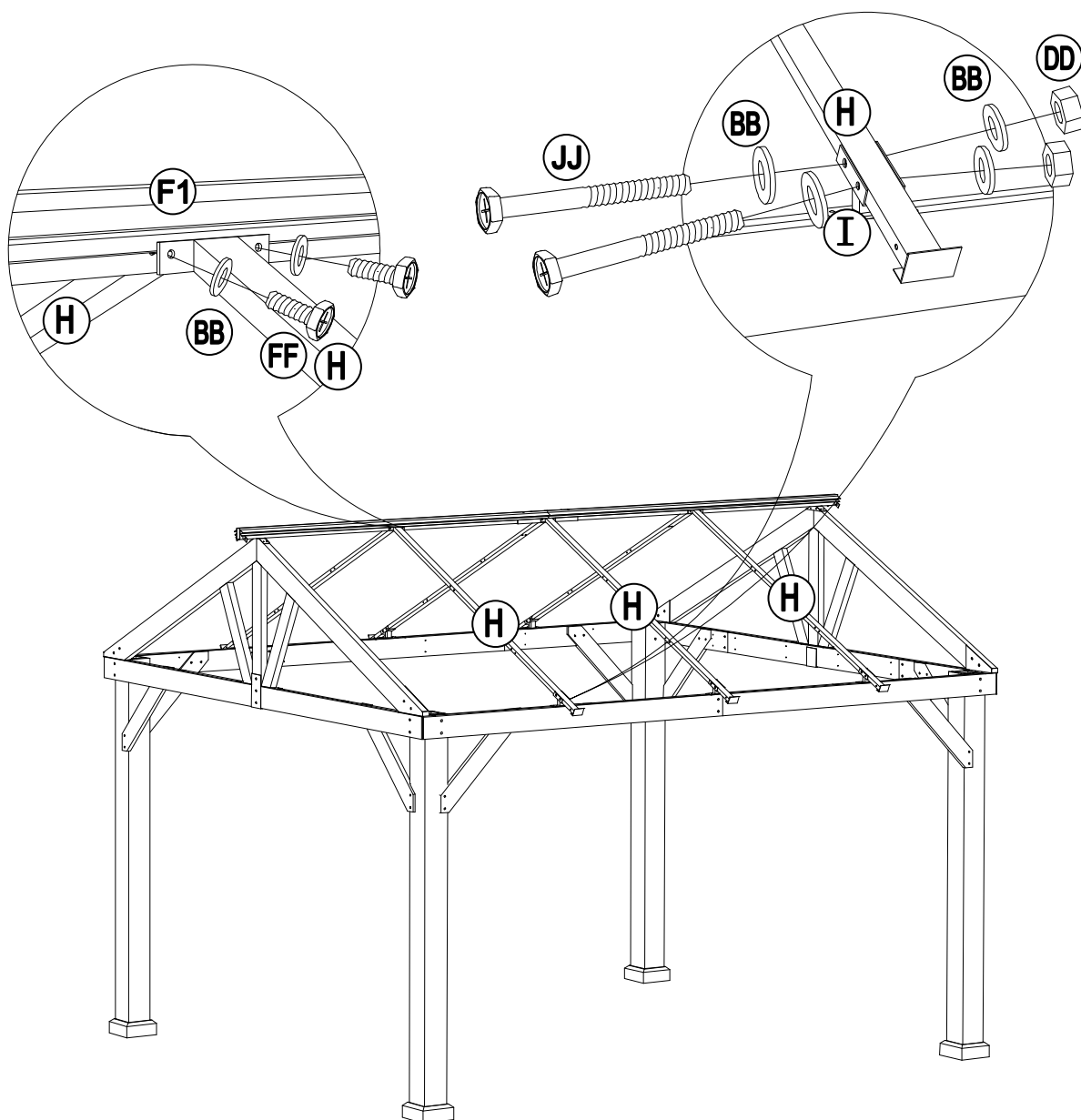
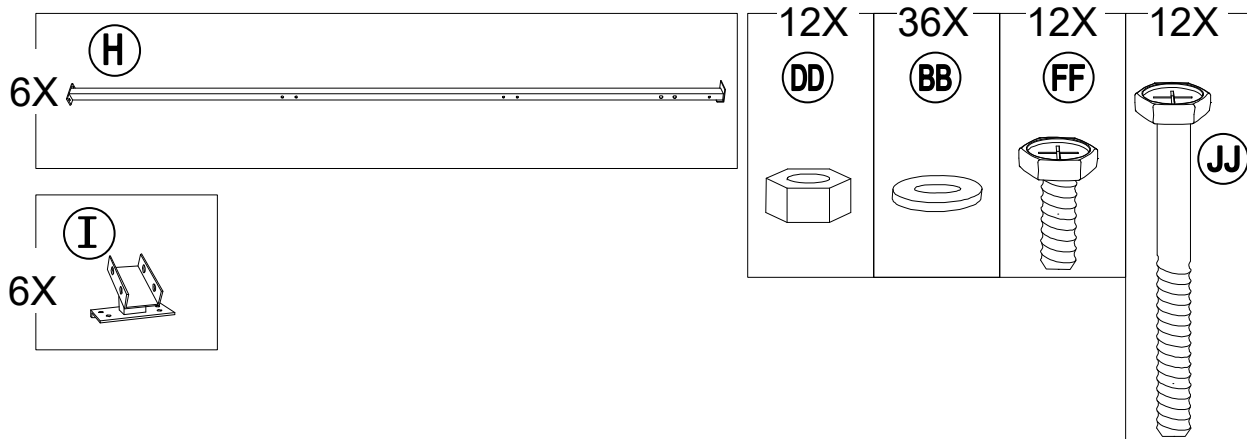
12



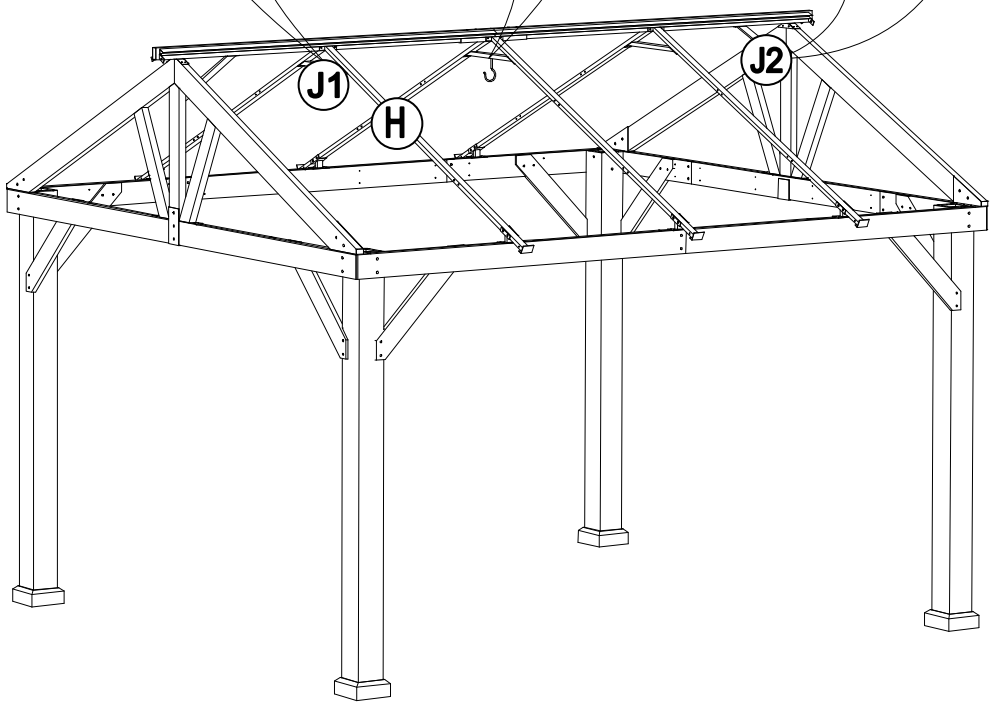
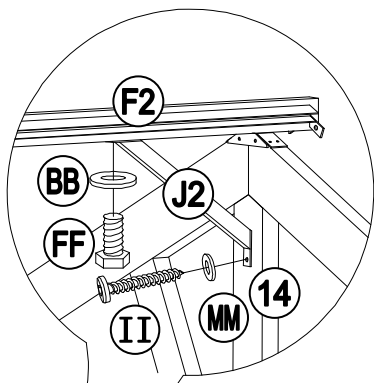
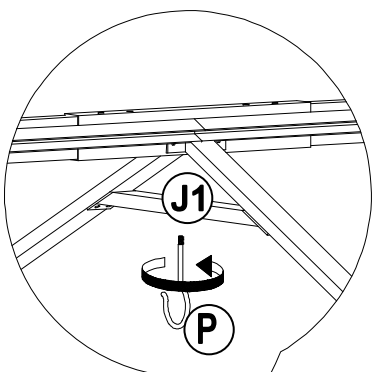
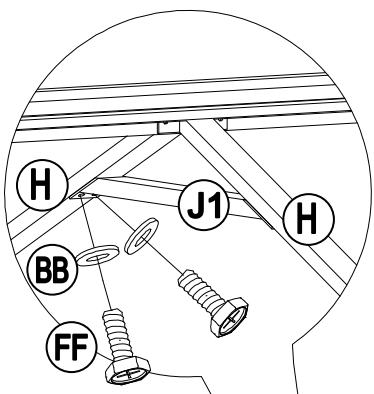
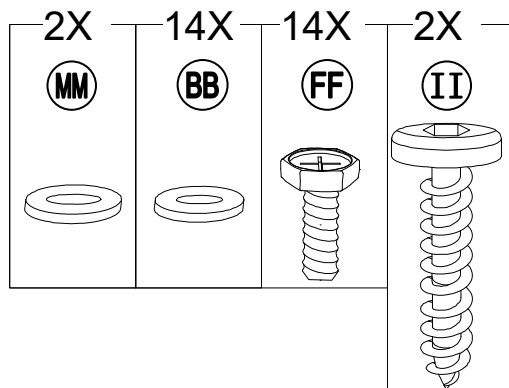
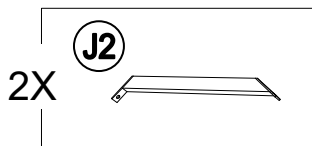
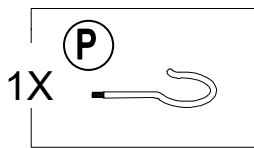
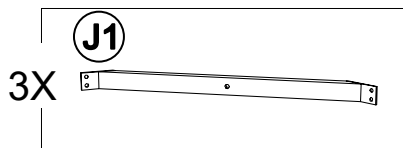
13



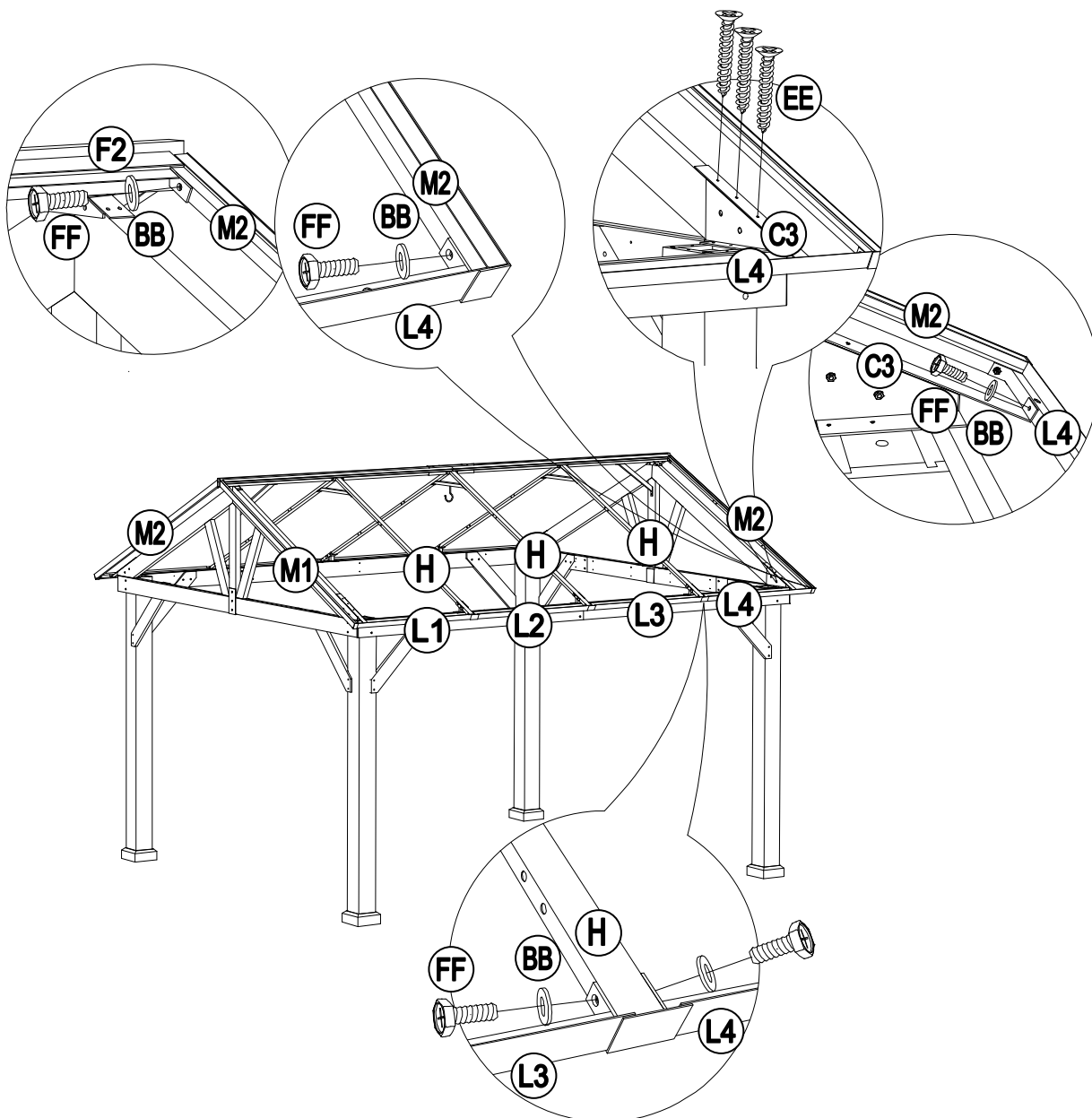
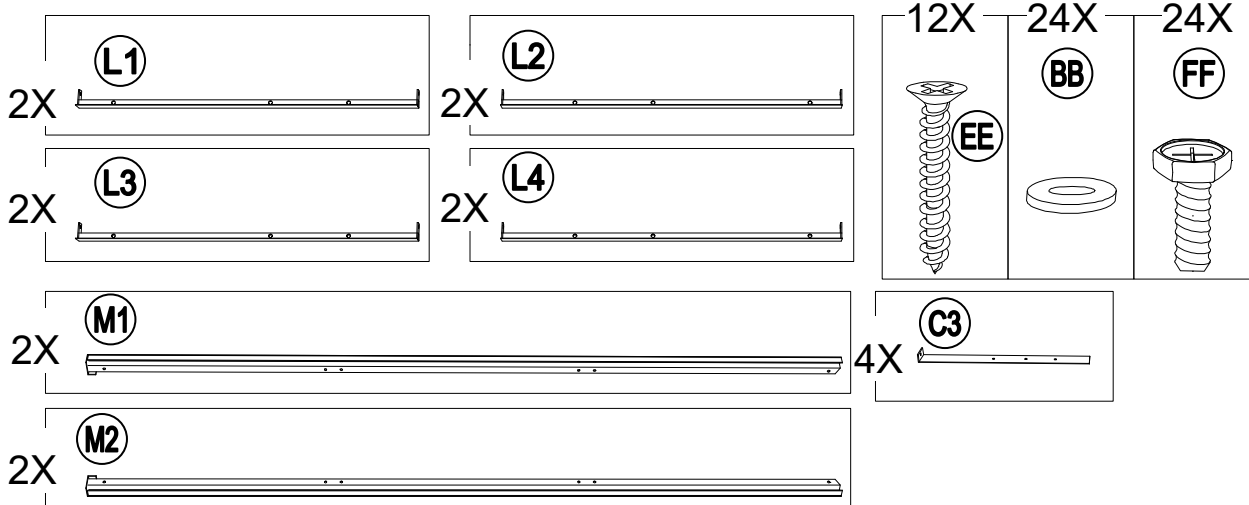
14



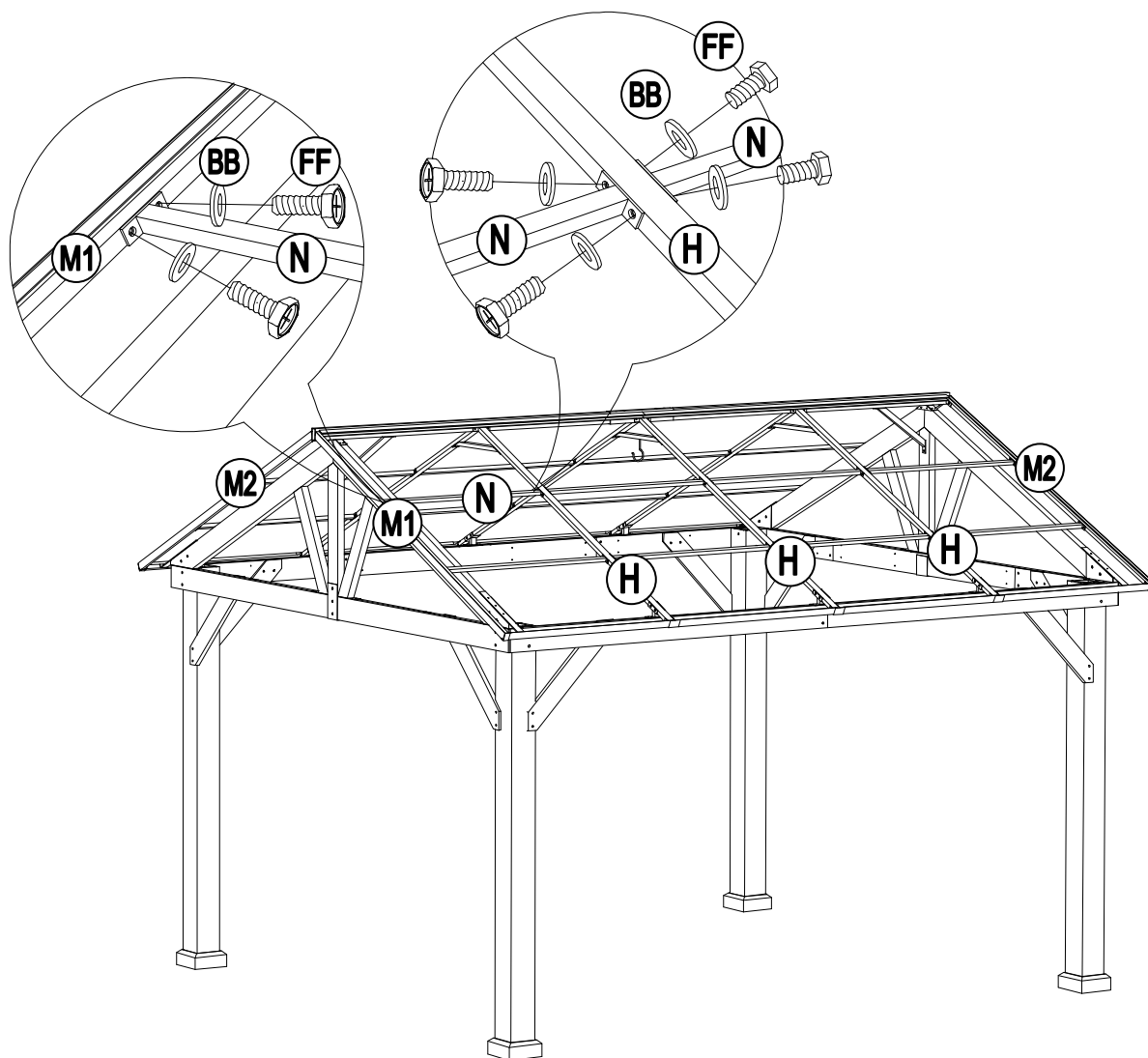
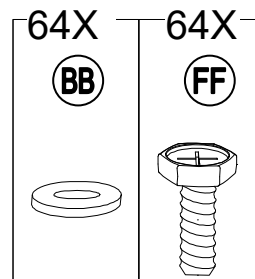
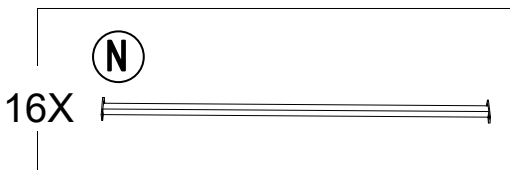
15



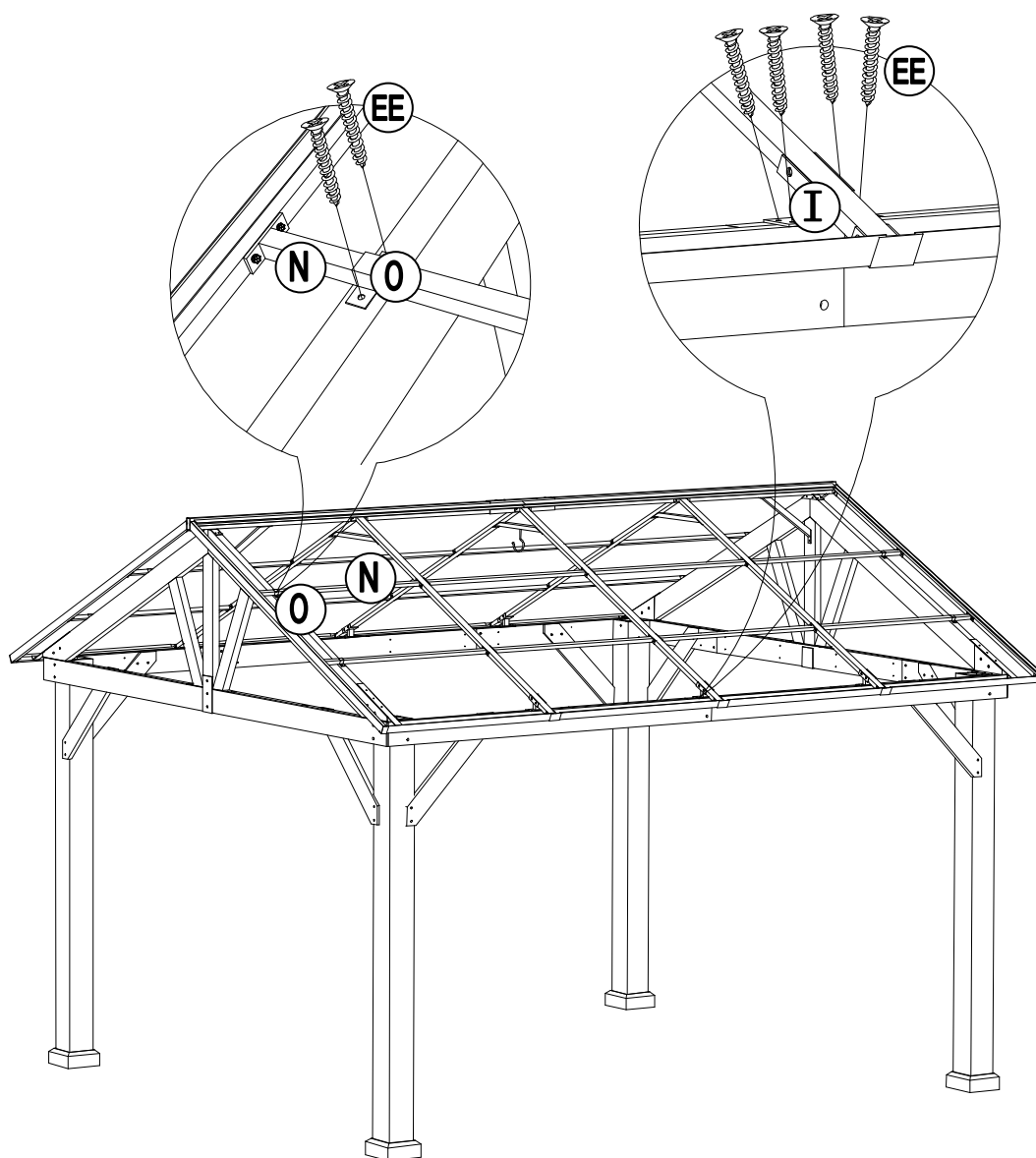
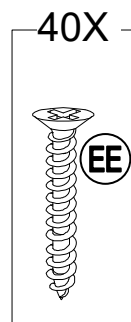
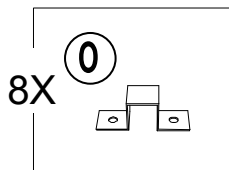
16



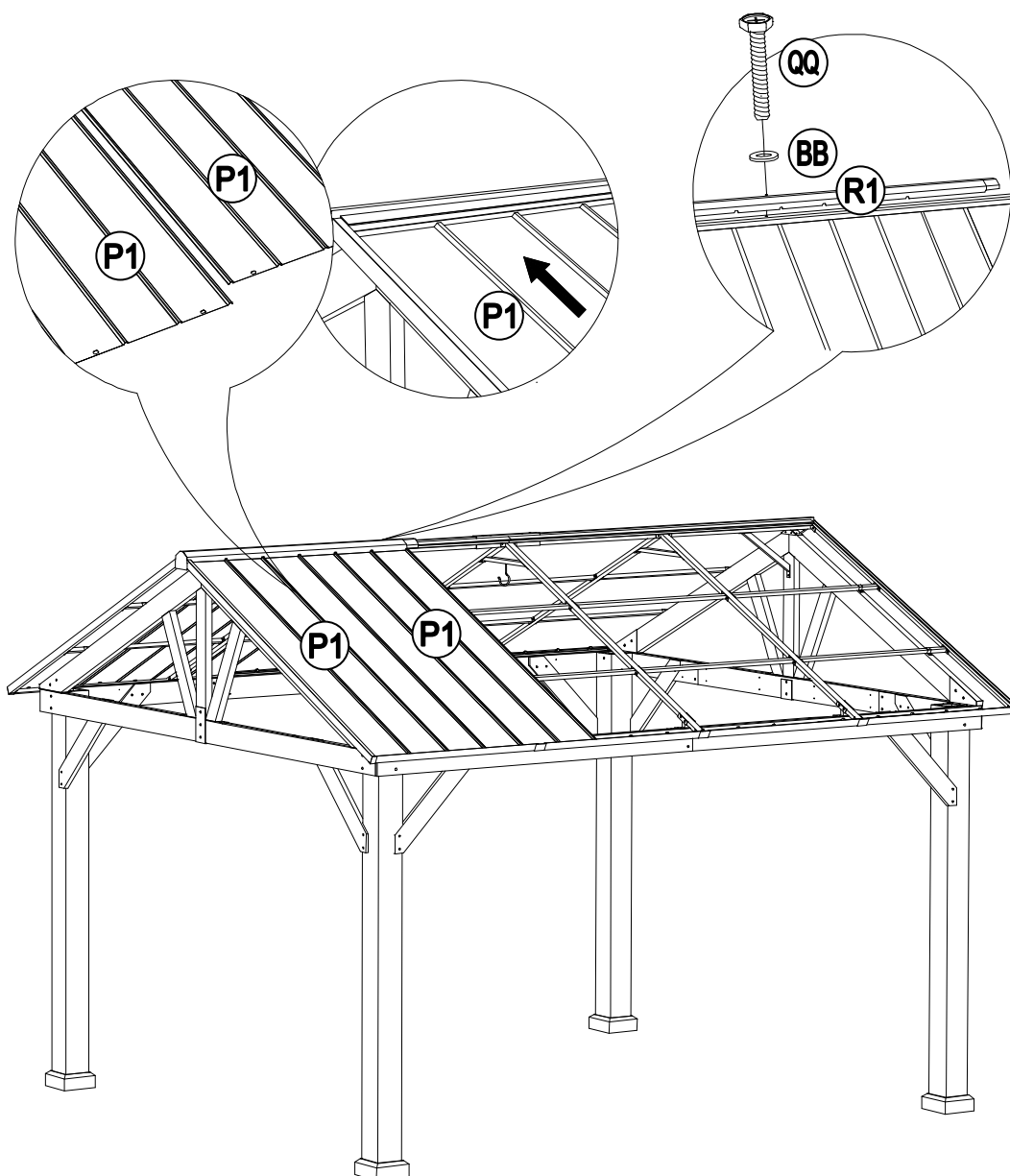
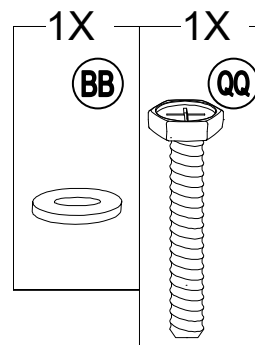
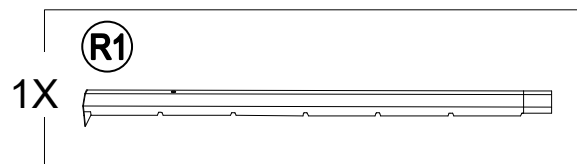
17



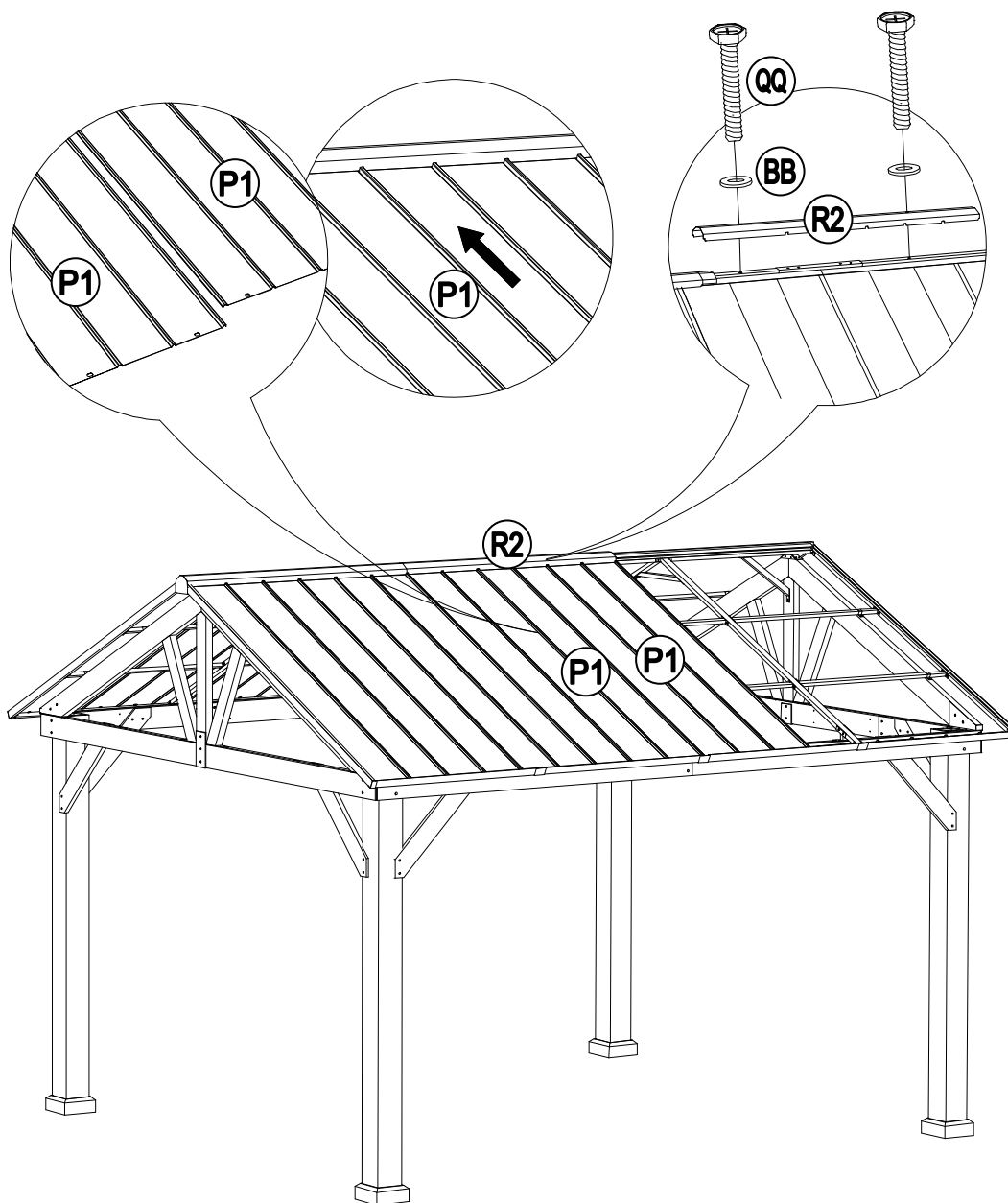
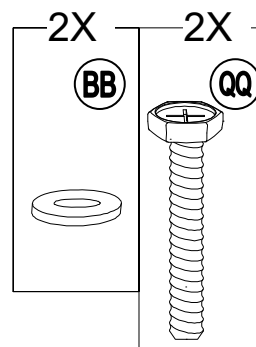
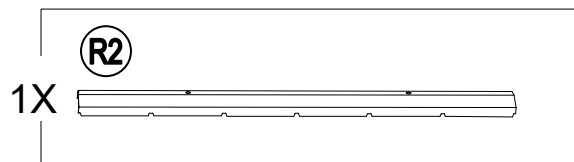
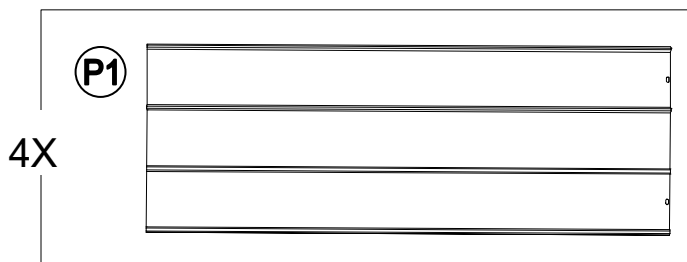
18



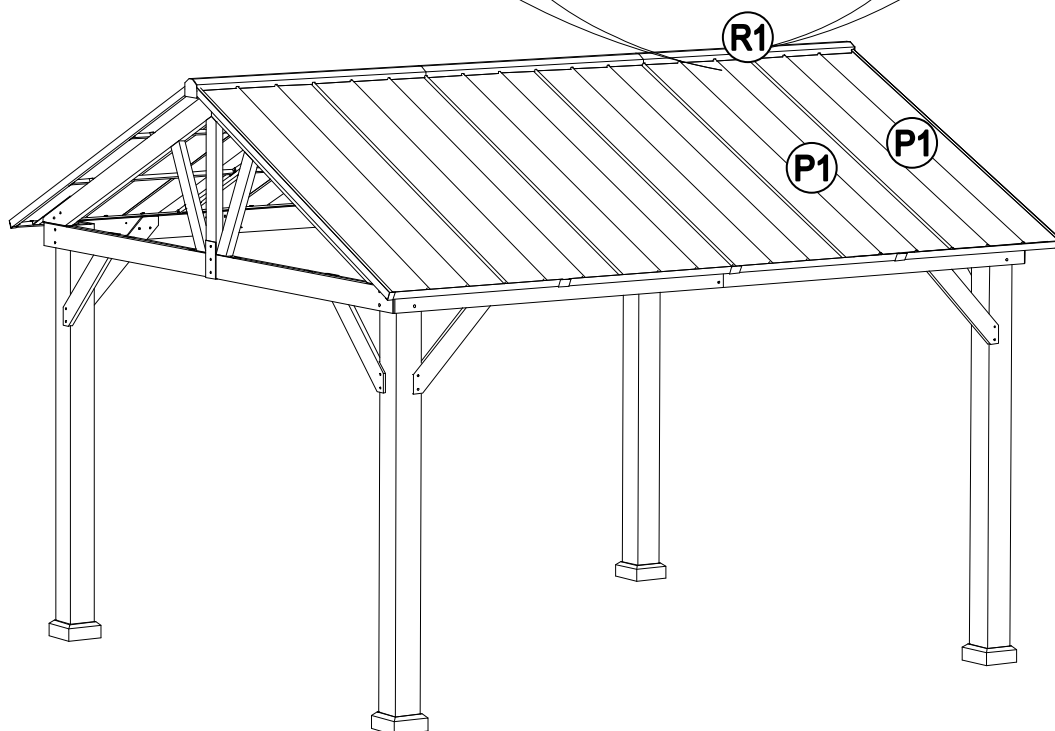
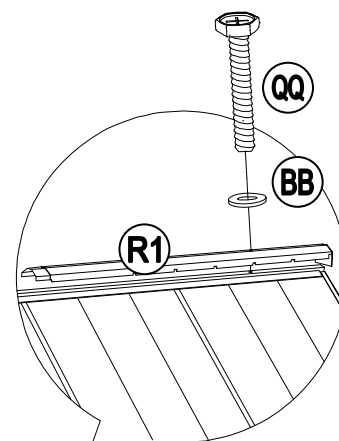
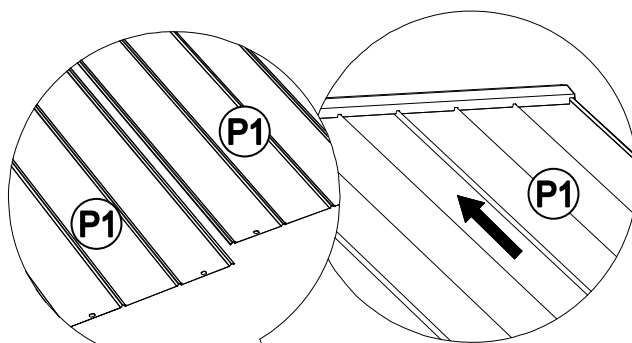
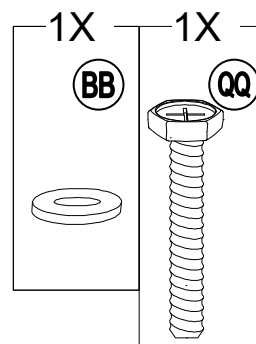
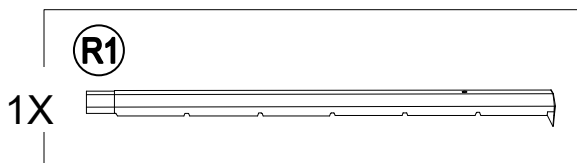
19



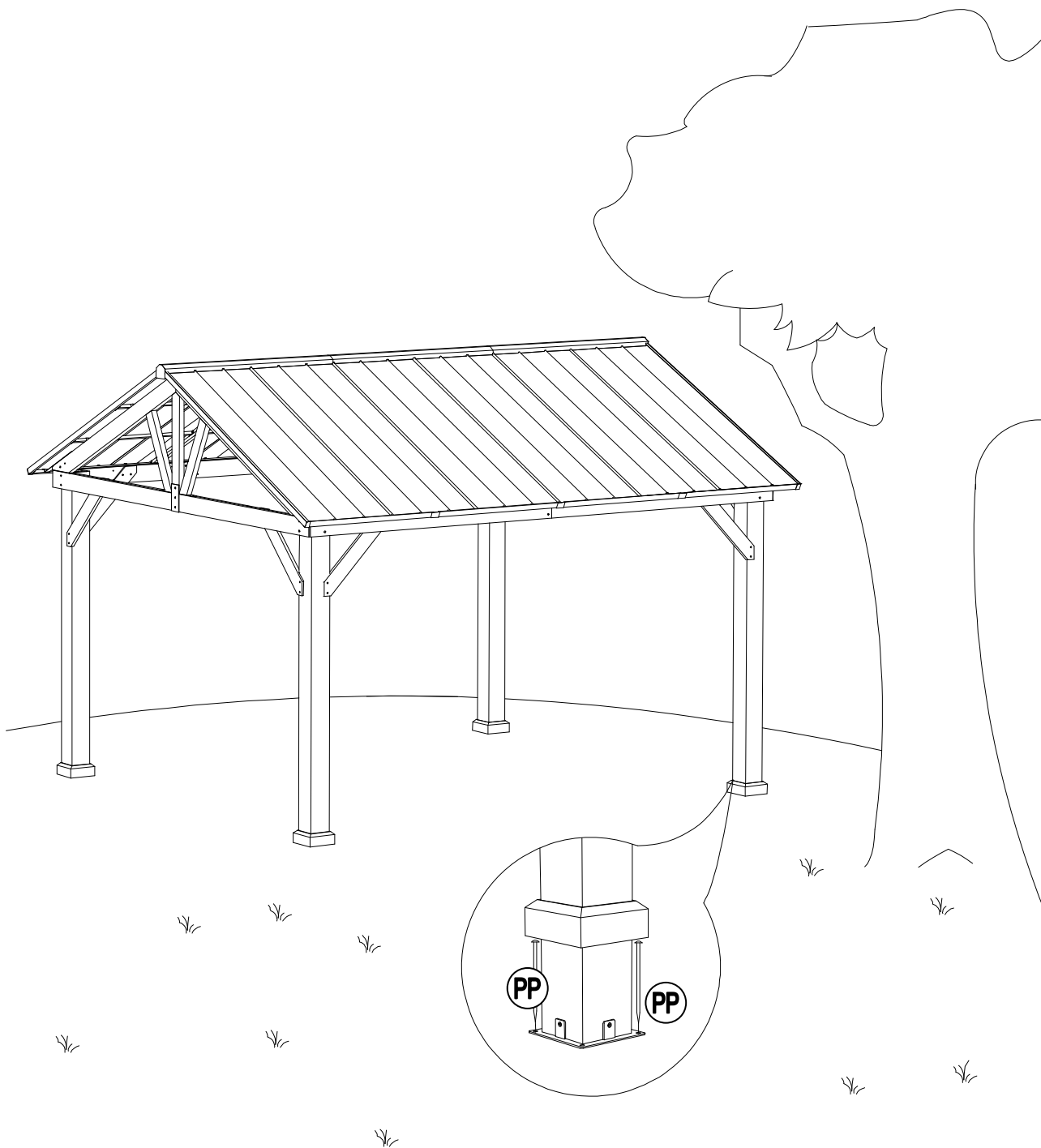
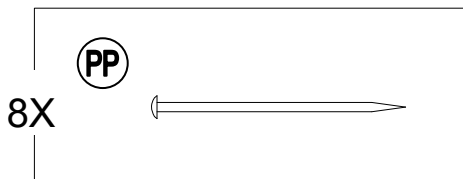
20



21



23



Care and Maintenance

- Our steel components for garden accessories and furniture are treated with rust inhibiting paint that protects it from rusting. However, due to the nature of steel, surface oxidation (rusting) will occur once these protective coatings are scratched. This is not a defect and thus not covered by the warranty.
- To minimize this condition, we recommend care when assembling & handling the product to prevent scratching the paint. Should any scratching or damage occur, we recommend immediate touch-up with rust inhibiting paint.
- Surface rust can also be easily removed with a very light application of common cooking oil. If surface oxidation (rusting) occurs and if no measure is taken to prevent this, the oxidation may start dripping on to deck or patio and caused damaging stains, which may be difficult to remove. This can be prevented if the above-mentioned measures are taken to keep the product from oxidizing.
- Use damp cloth to wipe off the stains as quickly as possible.
- If necessary, wash with a mild solution of soap and water; rinse thoroughly and dry completely.
- Periodically check and ensure that all bolts are well-tighten during use

Limited Manufacturer's Warranty

Sunjoy Group warrants to the original purchaser that this item is free from defects in workmanship and materials for a period of **1 year** from the date of purchase, provided the item was factory-sealed at the time of purchase and is maintained with care and used only for personal, residential purposes. Should any manufacturing defect arise within this warranty period, Sunjoy Group will replace (at our option) any defective merchandise or parts upon proof of purchase; however, transportation and delivery costs, as well as payments to a third party for assembly or disassembly of the item, remain the responsibility of the purchaser. A purchaser of an "open box," previously-returned, or "clearance" item, as well as original purchasers outside of the warranty period, may obtain replacement parts from Sunjoy Group for products in current production, at nominal cost.

Exclusions:

Items used for commercial, contract, or other non-residential purposes, or items damaged due to acts of nature, vandalism, misuse, or improper assembly are not covered. Corrosion or rusting of hardware is not covered. Proof of purchase (dated register receipt) is required for warranty claims. Warranty is to the original purchaser and is non-transferable. Any replacement of warranted items will be in the original style and color, or a similar style and color if the original is unavailable or has been discontinued. As some states do not allow exclusions or limitations on an implied warranty, the above exclusions and limitations may not apply. This warranty gives you specific rights, and you may also have other rights, which vary from state to state.