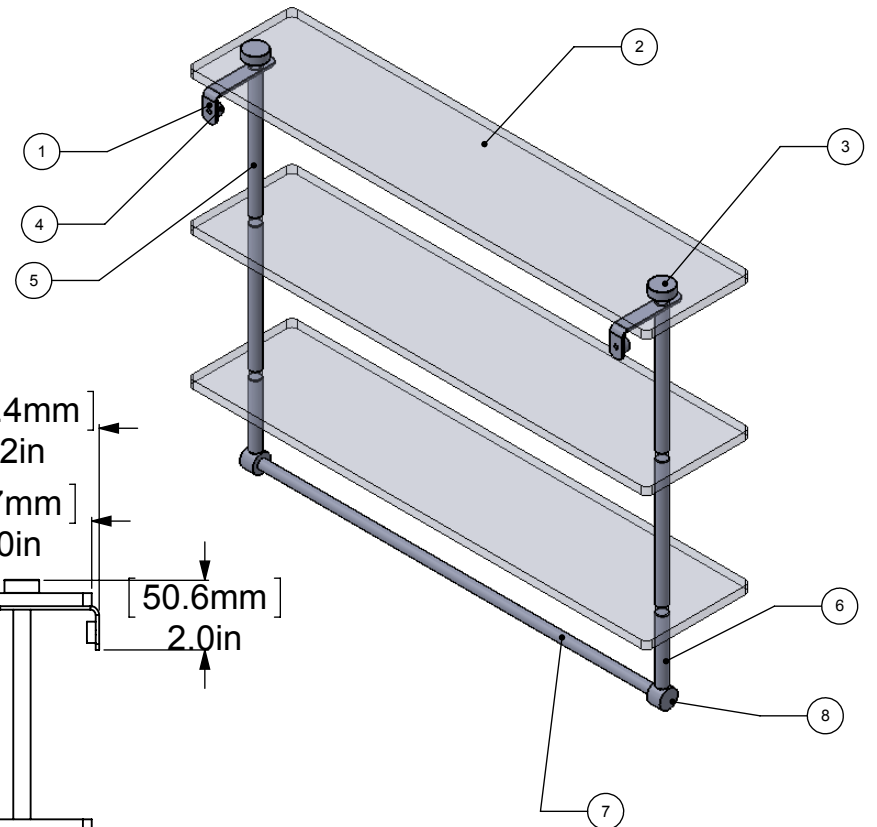
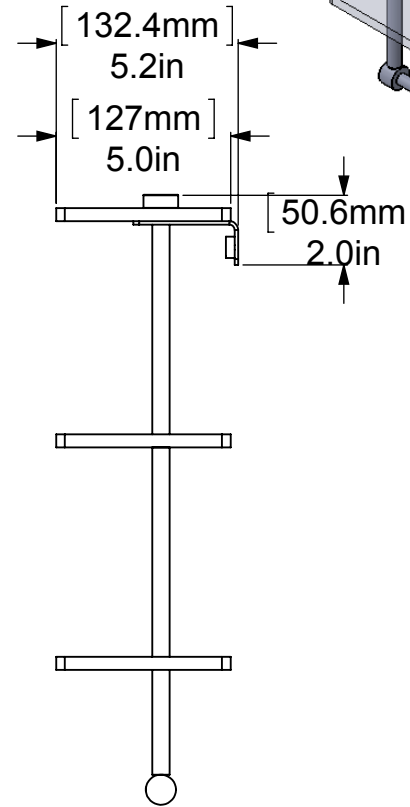
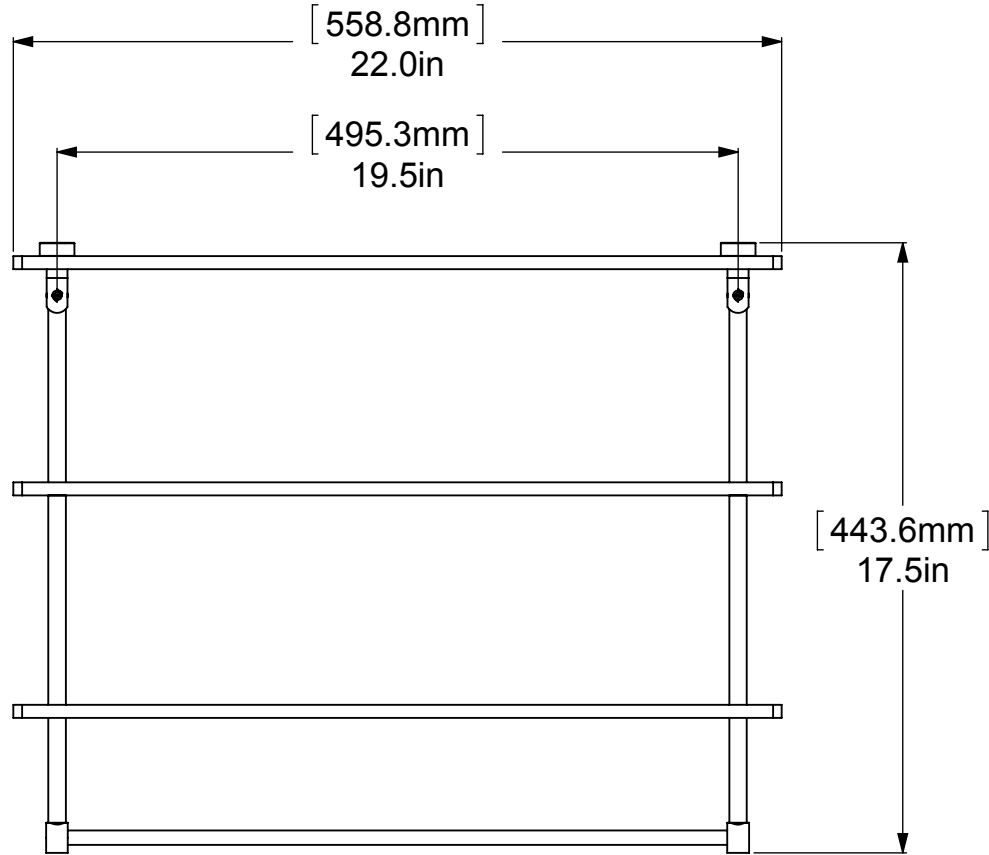


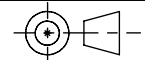
ITEM NO.	P/N	Description	QTY.
1	BKSH-2AD	BRACKET	2
2	GLRT-22	GLASS	3
3	CARD-1	END CAP	2
4	CARD-58	LOCK	2
5	TU12-6	TUBE	4
6	TU12-3	TUBE	2
7	TU38-18.5	TUBE	1
8	HBBTT-78	HUB	2



UNLESS OTHERWISE STATED

.X	±.3mm
.XX	±.15mm
.XXX	±.008mm

COPYRIGHT © Allied Brass 2016



THIRD ANGLE PROJECTION

DRAWN	7/03/2016	I.M
CHECKED	7/03/2016	P.D
APPROVED	7/03/2016	R.A

MATERIAL:	BRASS
DESCRIPTION:	SHELF

FINISH	TBD
QUANTITY	TBD
DRAWING No.	REV
NS-5-22TB	0
SCALE	1:5.5 SHEET: 01 A4