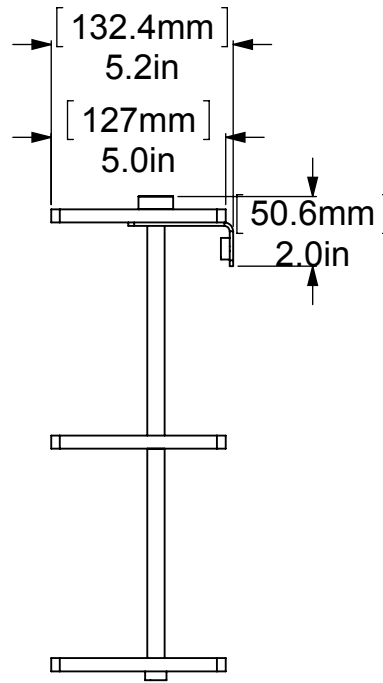
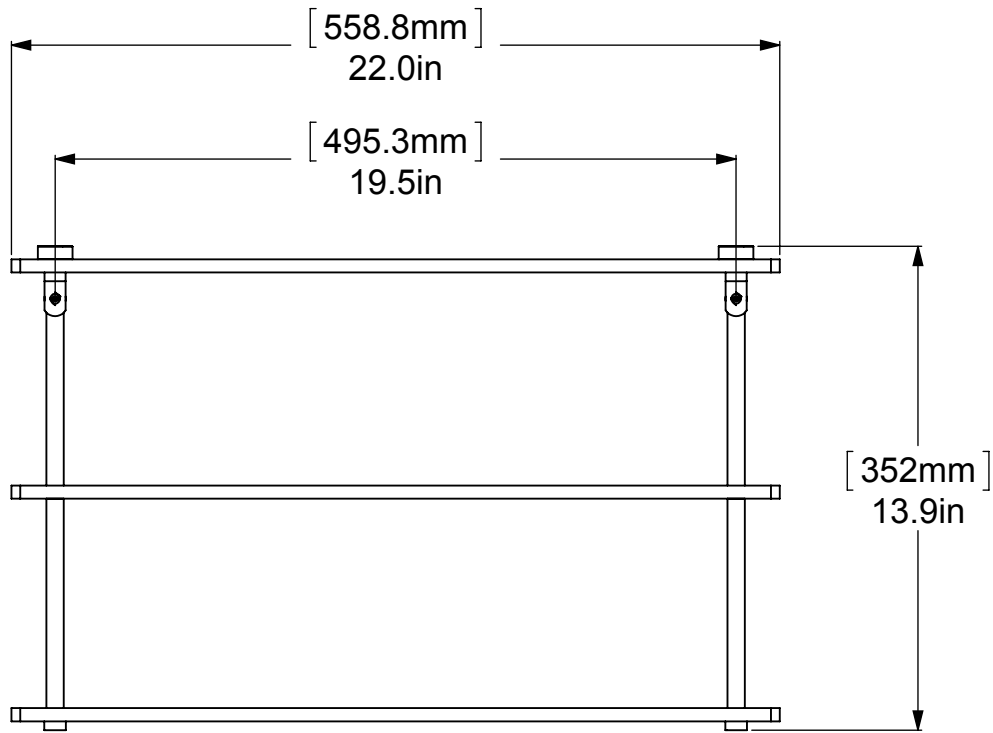
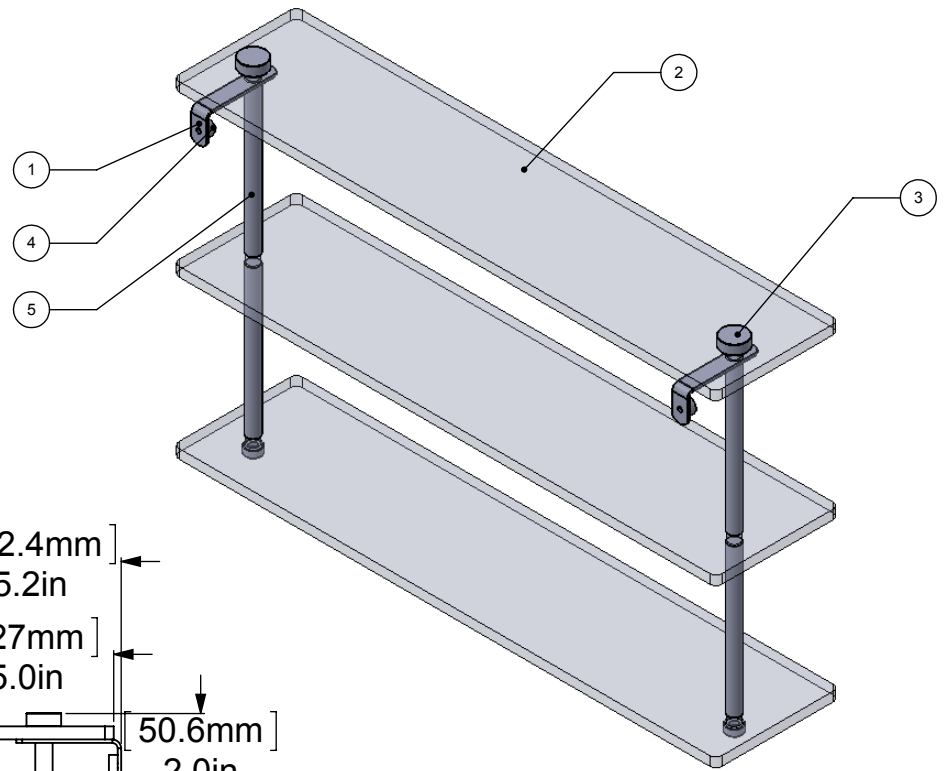


ITEM NO.	P/N	Description	QTY.
1	BKSH-2AD	BRACKET	2
2	GLRT-22	GLASS	3
3	CARD-1	END CAP	2
4	CARD-58	LOCK	4
5	TU12-6	TUBE	4



UNLESS OTHERWISE STATED

.X	±.3mm
.XX	±.15mm
.XXX	±.008mm

COPYRIGHT © Allied Brass 2016



THIRD ANGLE PROJECTION

DRAWN	6/29/2016	I.M	MATERIAL:	BRASS	FINISH	TBD
CHECKED	6/29/2016	P.D	DESCRIPTION:	SHELF	QUANTITY	TBD
APPROVED	6/29/2016	R.A	DRAWING No.		REV	
				NS-5-22		0
				SCALE	1:5.5	SHEET: 01