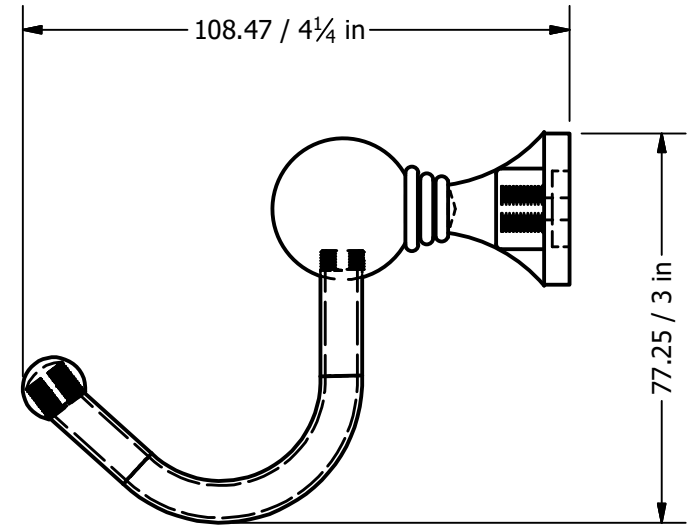
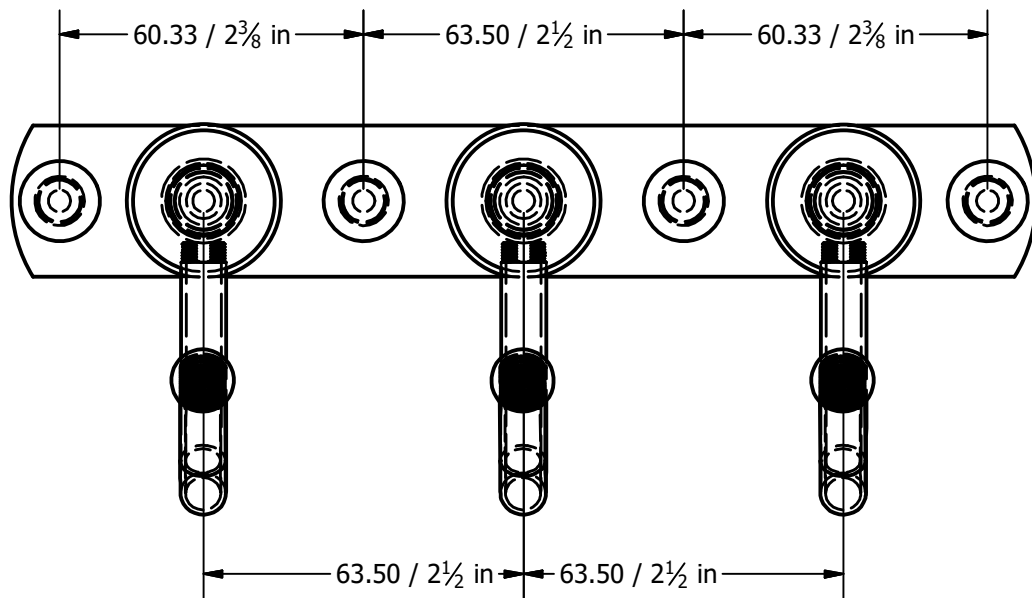
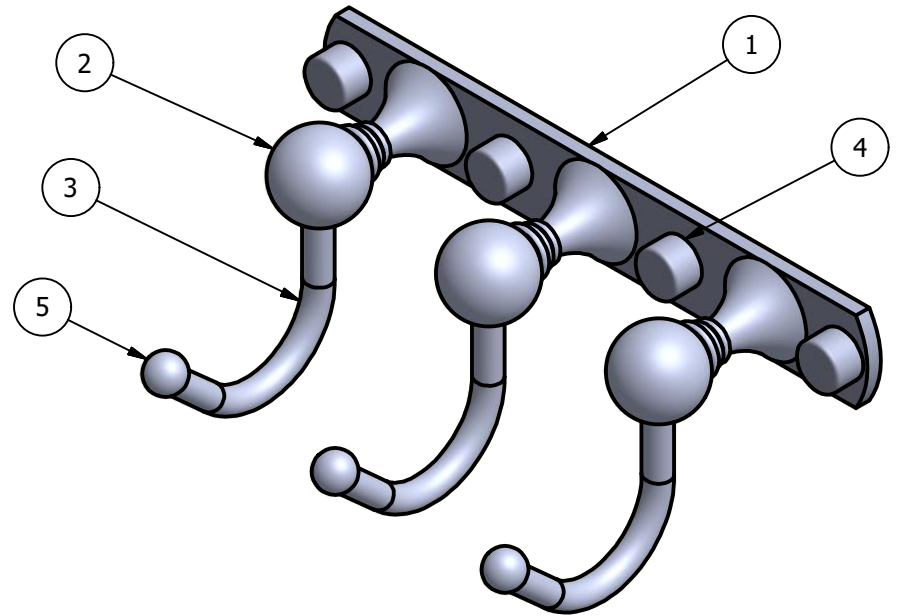


SL-20-3			
ITEM	QTY	PART NUMBER	DESCRIPTION
1	1	BPHK-8	TRIPLE HOOK PLATE
2	3	SGRHPOST	POST
3	3	HKHK	BENT TUBE
4	4	CARD-58	CAP
5	3	BL1T-34	3/4 Inch Ball Single Tap



UNLESS OTHERWISE SPECIFIED	
.X	± .3mm
.XX	± .15mm
.XXX	± .008mm



THIRD ANGLE PROJECTION

DRAWN	2-28-18	IM
CHECKED	2-28-18	P.D.
APPROVED	2-28-18	R.A.

MATERIAL:	BRASS
DESCRIPTION:	Shadwell Collection 3 Position Multi Hook



APPROVED FOR PRODUCTION
By: RICHARD PAUL
Date: 2-28-18

FINISH	TBD
QTY	TBD
DRAWING NO.	SL-20-3
SCALE	1:1
SHEET: 1 OF 1	REV 0