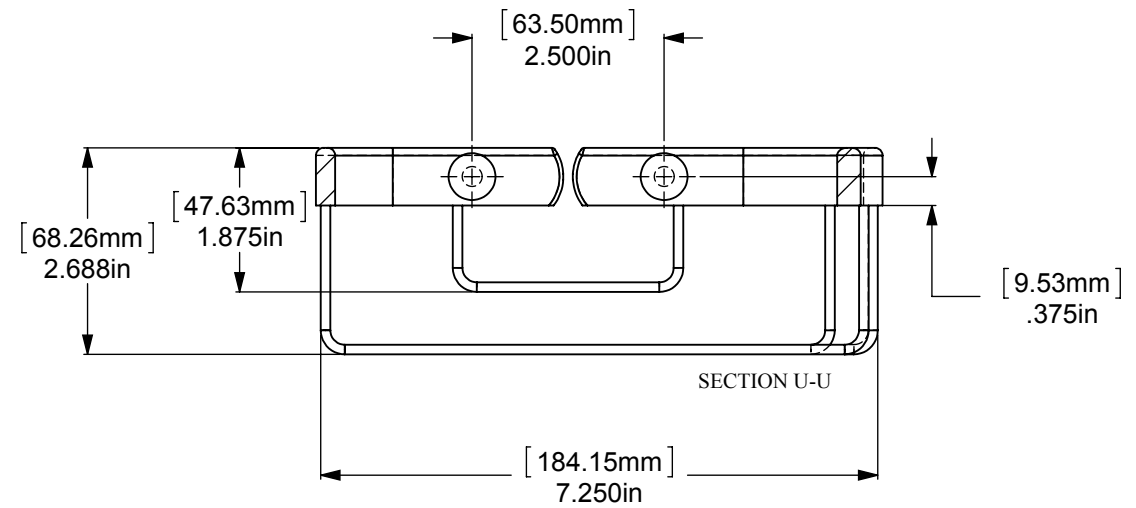
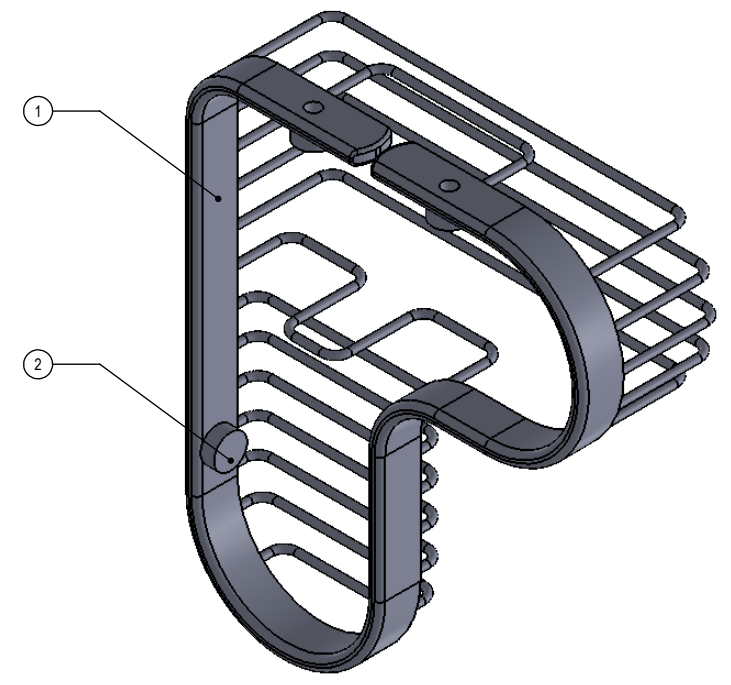
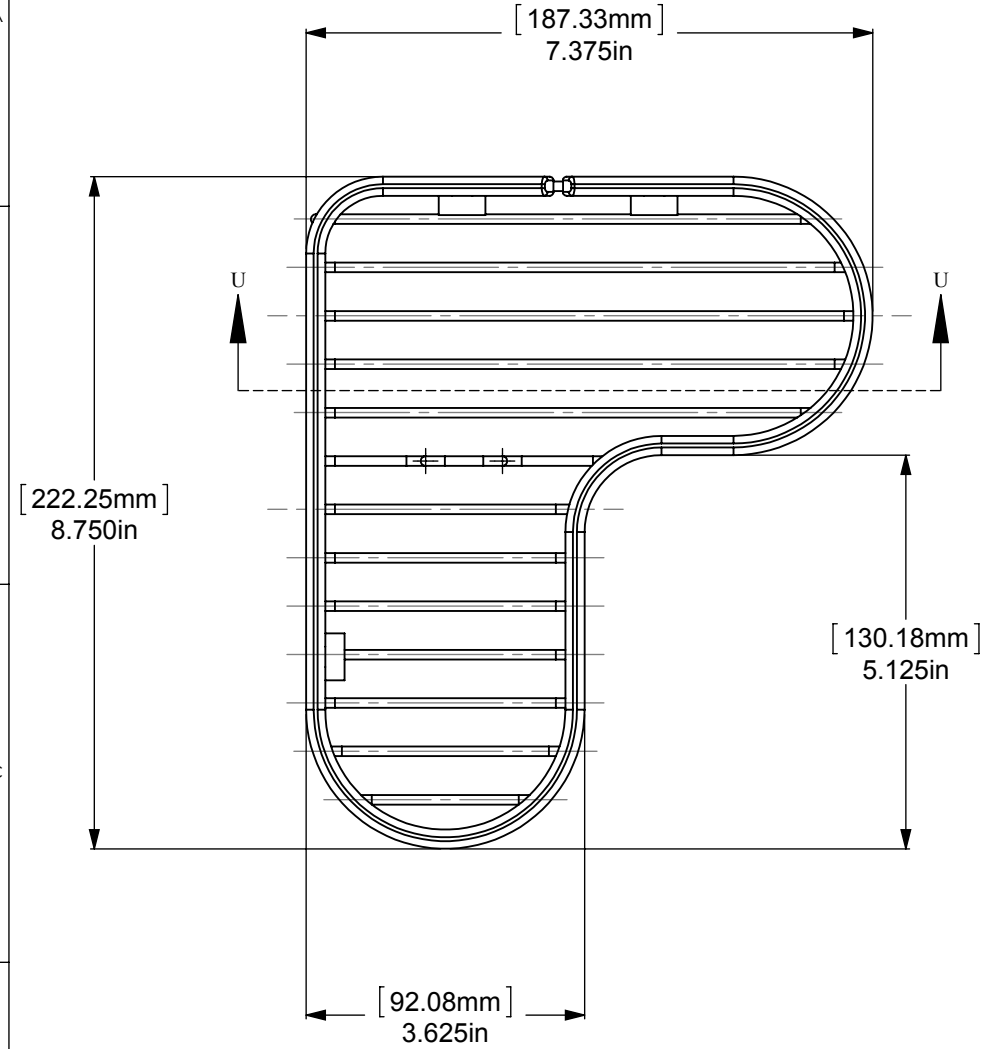


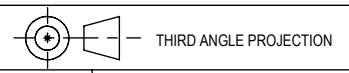
ITEM NO.	PART NUMBER	DESCRIPTION	QTY.
1	BSK-250LA-COMP	BASKET	1
2	CARD-58	CAP	3



UNLESS OTHERWISE STATED


.X	±.3mm
.XX	±.15mm
.XXX	±.008mm

COPYRIGHT © Allied Brass 2016



DRAWN	2-11-2016	I.M
CHECKED	2-11-2016	P.D
APPROVED	2-11-2016	R.A

MATERIAL: BRASS
 DESCRIPTION: SHOWER BASKET



FINISH	TBD
QUANTITY	TBD
DRAWING No.	REV
BSK-225LA	0
SCALE	1:2.5
SHEET: 01	A4