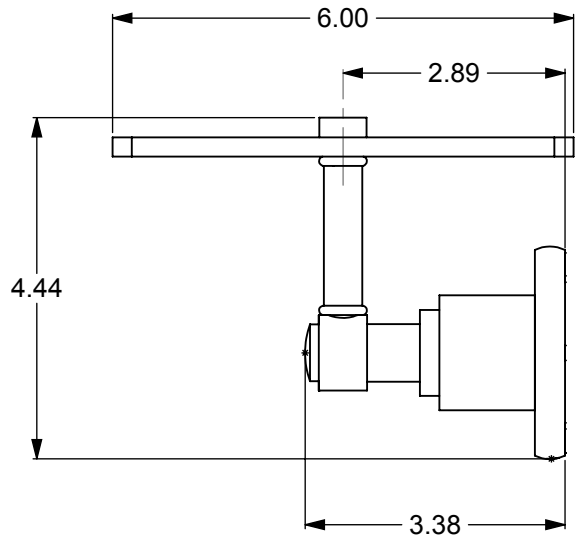
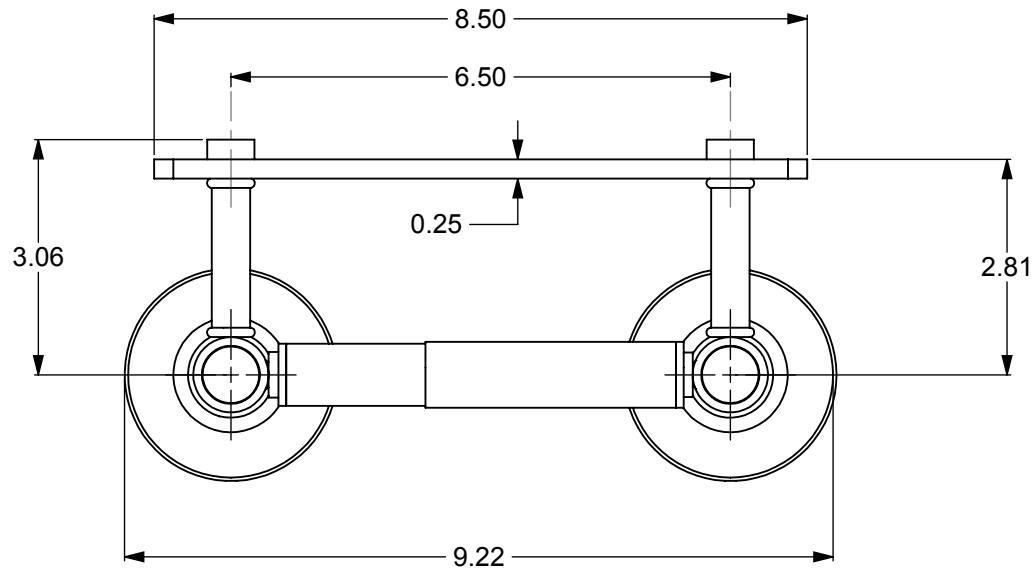
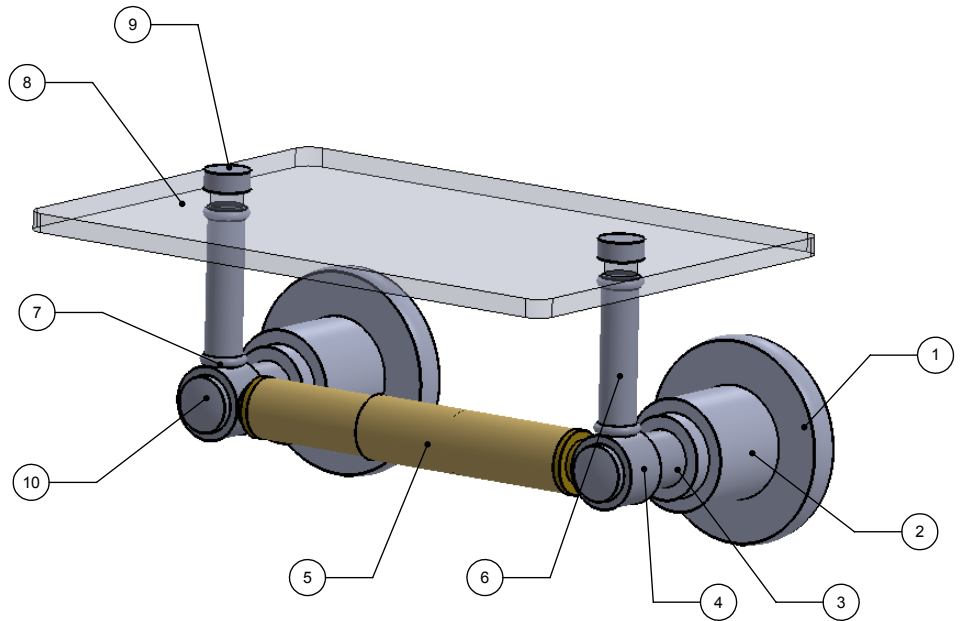


ITEM NO.	P/N	DESCRIPTION	QTY.
1	BPRD	BACKPLATE	2
2	WSAP	NECK	2
3	TU34-0.75	TUBE-0.75	2
4	HB1T-1	Hub	2
5	RLB-SET	ROLLER SET	1
6	TU12-2	TUBE-2	2
7	CRRD-12	CHECK RING 0.5	4
8	GL-24	GLASS	1
9	CARD-58	TOP CAP	2
10	CARD-34	CAP-0.75	2

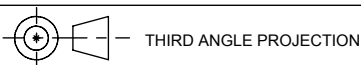


NOTE:
1. UNIT IS IN INCHES.

UNLESS OTHERWISE STATED

.X	±.3mm
.XX	±.15mm
.XXX	±.008mm

COPYRIGHT © Allied Brass 2015



DRAWN	1-13-15	I.M
CHECKED	1-13-15	P.D
APPROVED	1-13-15	R.A

MATERIAL:	BRASS
DESCRIPTION:	Toilet Paper Holder

FINISH	TBD
QUANTITY	TBD
DRAWING No.	REV
WS-GLT-24	0
SCALE	SHEET: 01
1:2.5	A4