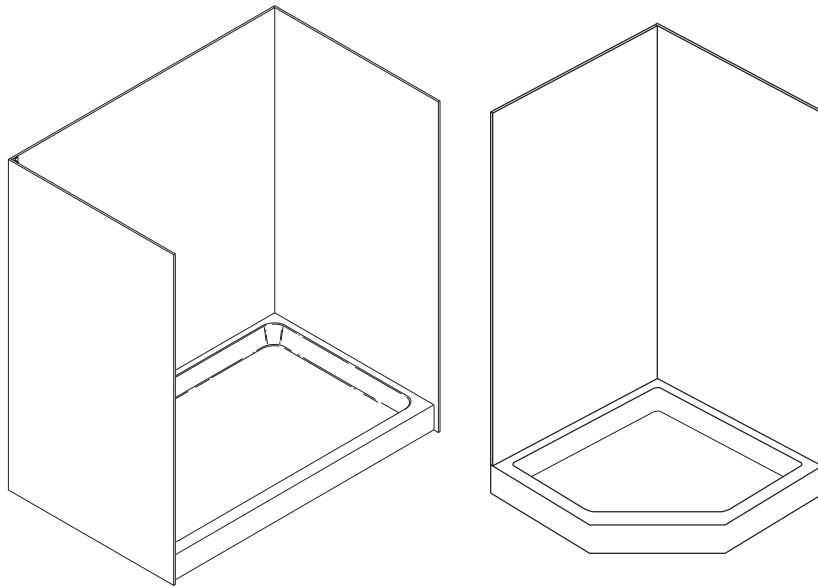


MODEL

107223 • 107224 • 107225 • 107226 • 107227 • 107228 • 107229 • 107230



○ Safety Guidelines	P.2
○ Required Tools	P.4
○ Kit Contents	P.4
○ Preparation Hints & Tips	P.5
○ Installation Procedure	P.5
○ Maintenance & Surface Repair	P.15
○ Warranty Information	P.16

Version française à partir de la page 17
Versión en español a partir de la pagina 33



A two person installation is recommended.

Read all instructions carefully before proceeding.

SAVE THIS GUIDE FOR FUTURE REFERENCE.

IMPORTANT • Record the serial number

Serial number

The MAAX Assurance — if our product is properly installed and maintained, as stated in these instructions, it will not leak.

Remember —

Safety First

IMPORTANT NOTICE

MAAX, cannot anticipate every possible circumstance that might involve a potential hazard during the installation of our product(s). The warnings and instructions in this installation guide are, therefore, not all-inclusive. If a tool, installation procedure, or work method that is not specifically recommended by MAAX is used, you must satisfy yourself that it is safe. You should also make sure that the MAAX product(s) will not be damaged by the methods you choose. MAAX will not be held responsible for water damage of any kind in connection with the installation of one of our MAAX bath / shower / panel kits.

WARNING

To avoid product damage, personal injury, or even possible death, carefully read, understand, and follow all the instructions in this installation guide before installing this product(s). Do not use cleaning fluids or operate power tools unless you read and understand the instructions and warnings. Proper use of tools and the products described in this guide is your responsibility.

WARRANTY

Refer to the Warranty section in this manual for complete details.

Save this manual for future reference.

Important information on cleaning, maintenance, and repair is contained within.

IMPORTANT NOTICE

IMPORTANT NOTICE: Indicates that equipment or property damage can result if instructions are not followed.



Read and Understand the Manual

It is the responsibility of any individual who installs or maintains this product to fully understand and follow proper installation and maintenance procedures. Be aware of the inherent dangers in the use of power tools when installing this product. Read and understand all Warnings, Cautions, and Important Notices in this manual.



Work Safely

DO NOT proceed if any doubt arises about the method of performing anything found in this or other MAAX manuals. The installation of this product can require using power tools. Do not use power tools without adequate training. If necessary, hire or consult a trained professional for expert assistance before continuing.



Use Proper Tools

Always use proper tools during the installation of the products. Using tools other than those listed could adversely affect the integrity of floors, pipes, walls, or this product and could result in water damage or other damage to floors, pipes, walls, or other portions of your building or home.



Do Not Use Nails

The panels mount to walls with 100% clear silicone sealant only. It is NOT recommended to use GE brand of 100% silicone. Never use hammers, nails, or screws. They adversely affect the integrity of this product. Nails and screws could puncture the walls, resulting in water or other damage to floors, pipes, walls, or other portions of your building or home.



Inspect Before Cutting

Make sure no electrical wiring or plumbing is present before cutting into a wall to install any accessories.



Wall Conditions

Inspect the walls before installing the wall panels. Never install panels over damp walls or an existing mold condition.

CAUTION

CAUTION: Indicates a potentially hazardous situation which, if not avoided, may result in injury.



Use Proper Installation Methods

Follow all instructions related to wall surface preparation. Failure to follow such instructions could cause the panels to detach from the wall surface after installation, resulting in personal injury. Failure to follow these instructions could result in water damage.



Lifting Hazard

To avoid personal injury, use two people to move cartons weighing more than 51 lbs. **The box**

containing the wall panels can weigh up to 120 pounds. Use the appropriate lifting devices to move the load. Always use two people when lifting heavy or bulky cartons. DO NOT attempt to lift objects that are too heavy.

WHEN CARRYING A HEAVY LOAD—GET HELP!



Slipping Hazard

Do not install this product in the presence of water. Installing this product without drying all surfaces, or in the presence of water, could cause you to slip and fall due to wet floors or spilled fluids. Personal injury can result from slips or falls. Before installation, dry all surfaces, including the floor, with a cloth or paper towel. Clean up all spilled fluids immediately.



Tripping Hazard

Personal injury can result from tripping over power cords, tools, or other items. DO NOT leave items laying around the work area.



Personal Protection

Be sure to use all personal protective equipment, such as sturdy work boots, preferably with steel toes, gloves, and hard hat, if necessary, to ensure your own safety. To prevent possible damage to your hearing, always wear ear protection, such as earmuffs or earplugs, when working around power tools.



Cutting Hazard

The installation of the walls may require using power tools. Keep hands away from the cutting edge of any tool used in the installation of our product. Placing fingers in or around the cutting blades could result in serious personal injury.



Sharp Edge Hazard

After cutting the edge of a panel, it can be sharp. Wear protective gloves to prevent personal injury.



Room Temperature

Allow the panels to adjust to room temperature for at least six hours before installation, and consult the 100% silicone sealant manufacturer's instructions for storage and surface preparation. The panels should be installed at temperatures not less than 18°C. Panels should not be installed in areas where the temperature may drop below freezing. Failure to follow this recommendation could adversely affect the silicone sealants which holds the panels to the wall. If the panels are not correctly adhered to the walls, they may fall off, causing possible injury to someone in or around the shower.



Grab Bars

We recommend that shower compartments be equipped with support grab bars that comply with the most recent edition of ANSI-A117.1 requirements.

Grab bars must be anchored to structural support (wall studs) behind the panels. Do not rely on the panels only for grab bar support!

! WARNING

WARNING: Damage and injury can be incurred if the instructions are not followed.



Eye Protection

Be sure to use all personal protective equipment to ensure your own safety. To avoid eye injury, always wear protective glasses with side shields when using power tools. Also, make sure no one else can be injured by flying particles when using power tools.



Fire Hazard

Personal injury or death can result from a fire caused by flammable liquids or silicone sealants. Cleaners or solvents can be highly explosive, resulting in personal injury or even death, when not used properly. Clean up any flammable substance immediately. Sparks or open flames can cause flammable substances to ignite. DO NOT smoke while working on or near any flammable substance.



Solvents Hazard

Follow all manufacturer's safety instructions for silicone sealants and denatured alcohol. Alcohol vapors are both flammable and hazardous to breathe. Silicone vapors may irritate eyes and nose. Personal injury can result from improperly handling or use of products, such as denatured alcohol. Always follow the manufacturer's recommendations for the safe use of these products. Ventilate any work area before beginning to apply silicone sealants, cleaning agents, or solvents.



Fumes Hazard

The fumes from the silicone and solvents used by the installer can be harmful if used in an unventilated room. Always work in a well-ventilated area. To keep the area well-ventilated, open windows and use exhaust fans. If adequate ventilation is not achievable or practical, use respiratory protective equipment.



Dust Hazard

When cutting or drilling the product, use a dust collection method which prevents dust particles from going into the air. Always work in a well-ventilated area. Always use government health and safety agency approved dust mask when cutting, drilling, or sanding MAAX products.



Power Tool Hazard

To prevent personal injury or possible death, always follow the electrical safety recommendations of the power tool's manufacturer. Do not use power tools in an unsafe manner. Power tools should only be connected to a circuit protected by a ground-fault circuit interrupter (GFI).



Shock Hazard

Never use electric power tools around water, condensation, or other liquids. Electric shock can cause severe burns, significant injuries, and even death. If an extension cord is required, always use government health and safety agency approved extension cord. Power cords should only be connected to a circuit protected by a ground-fault circuit interrupter (GFI).



Electrical Shock Hazard

Contacting live electrical wiring with power tools or hand tools can cause serious injury or death.

Make sure all related circuit breakers are turned OFF. Test for live circuits or wiring inside any wall where installation of the MAAX product requires cutting into a wall.



Electrocution Hazard

Water and other liquids conduct electric current and can create a short circuit, resulting in injury

or death. Keep all liquids away from electrical cords and power tools. DO NOT create a short circuit between a source of electricity and a liquid by being in contact with both simultaneously.

General Information

Required Tools

- 100% clear silicone sealant
- Circular saw with 60 to 80 tooth carbide blade
- Saber saw (straight up and down travel) with bi-metal blade (14 teeth per inch)
- Drill with 3/8" drill bit
- Hole saw for shower faucet/shower head
- Tape measure
- Masking tape (2" wide)
- Level
- Caulking gun
- Clean paper towels or shop towels
- 2 x 4 lumber, as required for bracing (see Bracing Instructions)
- Industrial grade, hot glue gun and glue sticks (optional)
- Denatured alcohol

Kit Contents

Confirm that all parts of this kit have been included before beginning installation.

These products include 2 panels and 1 corner trim:

107223/107227 : 36 in. side wall kit

107224/107228: 42 in. side wall kit

These products include 1 panel an 1 corner trim (combine with a 2 panel kit for an alcove installation):

107225/107229: 62 in. back wall

107226/107230: 50 in. back wall

For best results, use 100% clear silicone sealant for bonding this product to a properly constructed and prepared sub wall. You will need one tube of 100% clear silicone sealant (tube sized to fit a standard caulking gun) for every 1440 square inches or 10 square feet, or, 4 to 10 tubes for an average shower. Follow the application recommendation located in the Panel Installation section of this manual.

It is NOT recommended to use GE brand of 100% silicone.

Unpackaging

- Use care when opening the box so that you do not damage the panels.
- This product is shipped to you or your retail center after careful inspection. After purchasing the kit, carefully unbox and inspect the product for any shipping damage that may have occurred. If damage is found, report it immediately to the store of purchase. After inspection and during installation, protect the products from construction damage by moving them to another room or area until ready to install.
- Store panels in a flat area to avoid warpage until the time of installation. Do not store the panels outside of the original packaging in a vertical position.
- Please use the model number located on the side of the box or the front of this manual when contacting us with questions concerning the installation of this unit.
- Make sure the walls are the correct size and are in good condition. Installation of damaged product will void the warranty.

Helpful Hints

- Read these instructions carefully and familiarize yourself with the various parts of the kit.
- The variety of installations possible for this kit may require procedures other than those shown. Ensure construction is correctly sized, plumb, and square.
- Save the large cardboard box for protection of the shower floor during the installation process and to use as a template for cutting the back shower wall panel.
- Allow sufficient time for the parts in this kit to adjust to room temperature. We do not recommend installation of this product at temperatures below 65 degrees (18.3 °C).
- Sawhorses with 2 x 4 cross-members or a worktable are helpful during the installation process.
- Always transport the panels vertically. Use care when laying the panels flat to prevent flexing, especially when panels have a cutout in them.
- Store unused materials away from the work area to prevent accidental damage.
- If the shower is placed over a garage or on an outside wall, care must be taken to ensure that the shower is properly insulated from cold temperatures.

Preparation Tips

- Measure the width of the back wall (with green board) installed. This measurement cannot exceed the width of back panel. If the wall opening is too large, other methods or two panels will be required to cover the wall.
- Turn off the hot and cold water supply.
- Remove faucet handles, escutcheons, filler spouts, and/or anything mounted to the wall (i.e. towel bars, soap dishes, etc.).
- Always measure the location of the plumbing cutouts from the back wall forward and from the ledge of the shower base upward.
- Ensure all plumbing or electrical work inside the walls is finished prior to installation of the wall panels.
- Prepare the area with 1/2" (13 mm) moisture-resistant drywall or concrete board. Never install our products directly on any structure that is, or may become, wet or damp.
- Trial fit the side panels before you begin. The panels have a finished side and a nonfinished backer side.
- Walls must be solid and square within 1/8" of true. Shim or trim the opening, as required. This kit has been designed with some adjustability for minor alignment problems.
- The wall surface must be free of dirt, film, waxes, or any other residues.
- If you are installing a recessed accessory, cut the hole after the panel is installed and fully supported by the wall. Remember to position the accessory between the wall studs.

Caulking Tips

- When job is complete, inspect all caulked areas for gaps and fill as needed.
- Clean up any excess silicone that was missed using denatured alcohol and a clean cloth.
- Be very careful not to disturb caulk joints.

Installation Procedure

Wall panels can be installed over a variety of products. If you intend to apply the panels to any surface other than those described, consult with a professional contractor. Use the following sections when installing this product over:

- DRY WALL
- PLASTER
- CEMENT/CONCRETE
- TILE
- WALLPAPER
- MASONITE

Dry Wall

- Surface must be dry, smooth, and free of any dust, soap scum, or any other contaminants.
- To ensure proper adhesion of the wall panels, the wall surface must be sealed with a water or oil-based primer/sealer.
- After the primer/sealer is completely dry, complete the installation following the instructions in this manual.

Plaster

Depending on the condition of the existing wall surface, additional silicone may be required to ensure contact between the substrate and the wall panel.

- Sand textured or swirled finishes smooth.
- Clean the wall surface with a damp cloth to remove any dust, soap scum, or any other contaminants. The wall surface must be dry and smooth.
- To ensure proper adhesion of the wall panels, the wall surface must be sealed with a water or oil-based primer/sealer.
- After the primer/sealer is completely dry, complete the installation following the instructions in this manual.

Cement/Concrete

Depending on the condition (flatness) of the existing wall surface, additional silicone may be required to ensure contact between the substrate and the wall panel.

- To ensure proper adhesion of the wall panels, the complete area must be sealed with two coats of water or oil-based primer/sealer.
- After the primer/sealer is completely dry, complete the installation following the instructions in this manual.

Tile

Depending on the condition of the existing wall surface, additional silicone may be required to ensure contact between the substrate and the wall panel.

IMPORTANT NOTICE

Old ceramic tiles, if solidly adhered, do not need to be removed. All plastic tiles must be removed.

Installation Procedure

- Remove or reattach any loose ceramic tiles. Old tiles and front edge ceramic tiles should be reset for appearance only.
- Remove any tile accessories attached to the walls.
- Remove the bottom row of tile and cut a ventilation gap in the substrate.
- Surface must be dry, smooth, and free of any dust, soap scum, or any other contaminants.
- Complete the installation following the instructions in this manual.

Wallpaper

- All wallpaper must be removed from the area being covered. Clean the wall surface to remove any dust, soap scum, or any other contaminants. The wall surface must be dry and smooth.
- To ensure proper adhesion of the wall panels, the complete wall surface must be sealed with two coats of water or oil-based primer/sealer.
- After the primer/sealer is completely dry, complete the installation following the instructions in this manual.

Masonite

- Clean the wall surface to remove any dust, soap scum, or any other contaminants. The wall surface must be dry and smooth.
- To ensure proper adhesion of the wall panels, the wall surface must be sealed with a water or oil-based primer/sealer.
- After the primer/sealer is completely dry, complete the installation following the instructions in this manual.

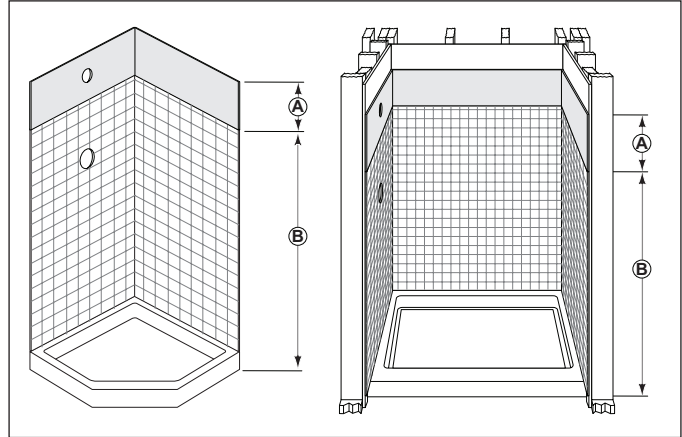
Followed carefully, these installation instructions will result in an easy, trouble-free installation of your product. Any deviations, additions, and/or deletions from the prescribed installation, without prior written approval, will void the warranty covering this product.

Disclaimer

- The information contained in this Installation Manual is given free of charge. It is based upon technical data which we believe to be reliable and is intended for use, by persons having knowledge of this technical area, at their own discretion and risk. MAAX assumes no responsibility for results obtained or damage incurred from the use of this material either in whole or in part by the buyer.
- This manual will give you basic instructions for the installation of the product in a step-by-step sequence that will work in most types of installations. If you have an installation application that is not covered in this manual, please call your MAAX directly for additional information about your application.
- Follow all installation instructions. Failure to follow these instructions could result in personal injuries, water damage, or other damage to floors, pipes, walls, or other portions of your building or home.

Filler Boards

If an existing wall covering (i.e. tile) does not extend to a height equal to the height of the panel, it will be necessary to install a filler board to that height. The filler board must equal the thickness of the existing wall covering (tile). Usually, 1/4" masonite or similar material is adequate. If desired, the filler board can extend from the top edge of the tile to the ceiling.



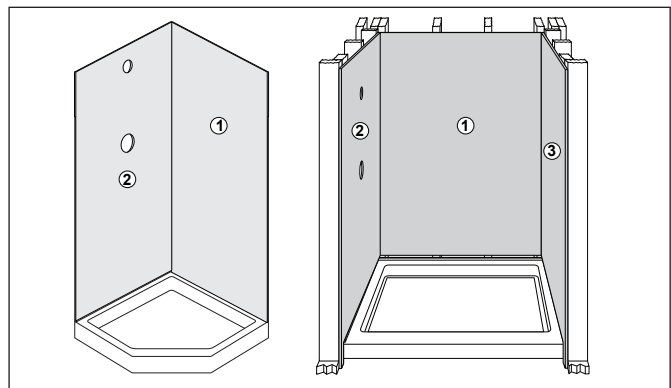
Note: Failure to use a filler board to properly install the panels could result in water damage or other damage to floors, walls, or other portions of your building or home.

Wallboard Installation

Note: If the wall panels will be installed over an existing shower wall surface, proceed to the next section.

Install 1/2" moisture-resistant cementboard or greenboard over back (1), front (2), and rear (3) wall surfaces of the rough opening.

1. Measure and cut openings for the shower faucet(s) and shower head before installation.
2. Install the wall board with a 1/2" gap above the shower base side lip to prevent possible water (wicking affect) damage.

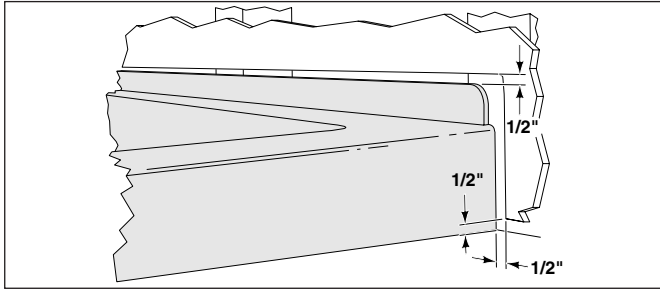


3. The cementboard or greenboard **MUST** be cut to fit up against the front edge of the shower base.

IMPORTANT NOTICE

For a finished appearance, install greenboard up to the front edge of the shower base, leave a 1/2" gap between the shower base and the greenboard.

In addition, if baseboard trim (not included) will later be installed along the floor next to the shower base, a 1/2" gap between the floor and bottom of the greenboard is recommended (see illustration below).



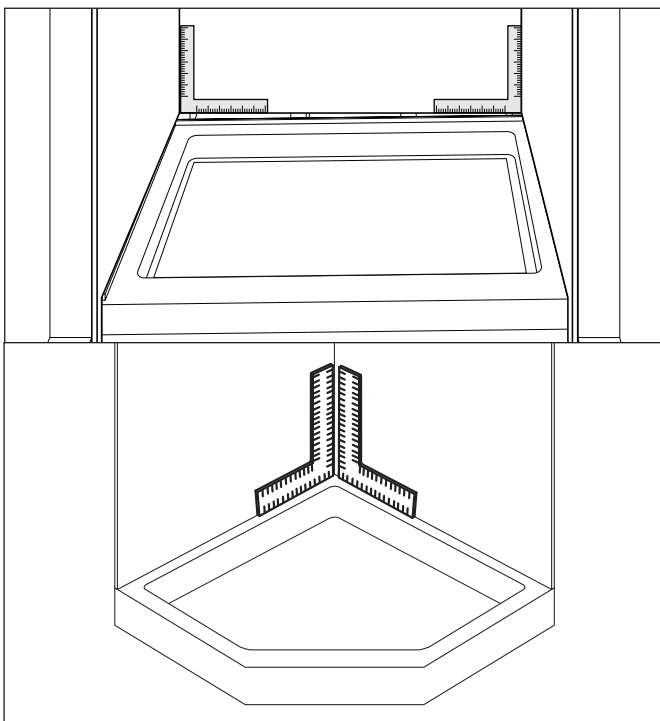
4. Apply a coat of water or oil-based primer/sealer to all the surfaces of the cementboard or greenboard (follow the manufacturer's instructions). Allow the primer to dry thoroughly before installing the wall panels.

Panel Installation

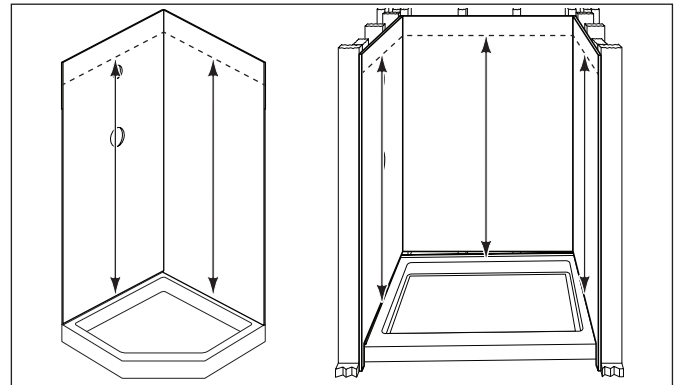
Back Panel

If the back wall measures less than the width of the panel, cut the panel to fit the opening (for alcove installation only).

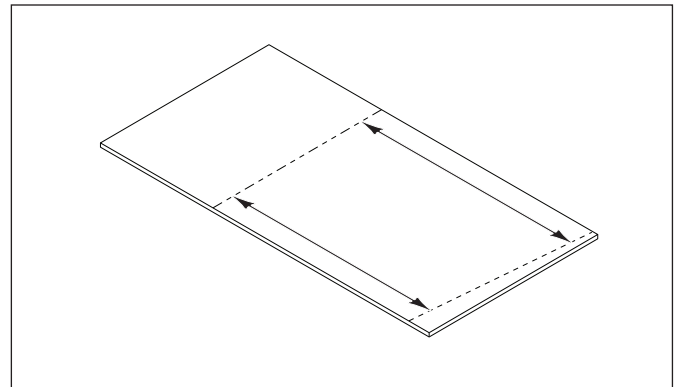
1. Using a builder's square, make sure the shower base is perpendicular to the side walls. If the walls are out of square, the bottom of all the panels may need to be cut to follow the contour of the shower base.



2. If the shower base is not perpendicular to the wall, use a level and draw a line around the alcove on all three walls. Measure the distance from the line to the top of the shower base.

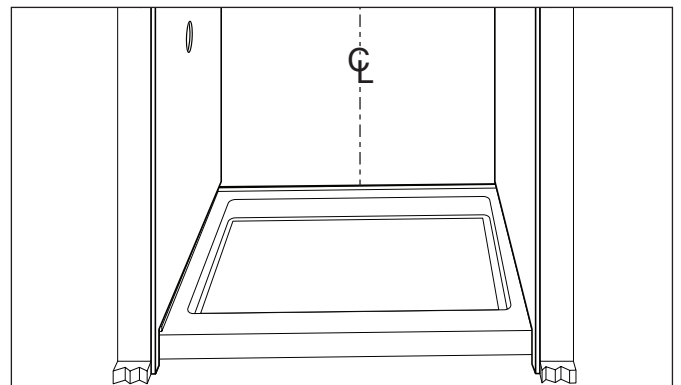


3. Transfer these measurements to both side panels and the back panel. Cut the bottoms of the panels.



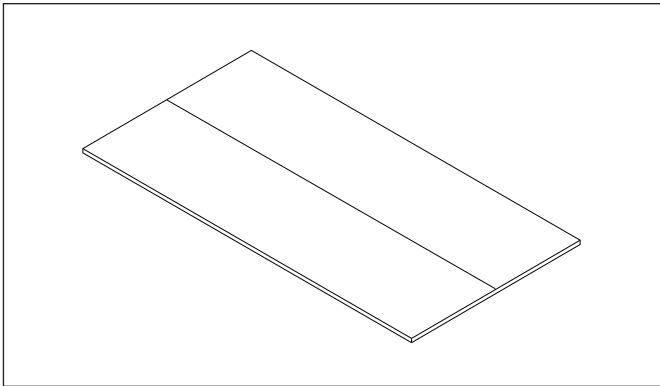
Note: For any panels with tile patterns, this process will keep the faux grout lines running level, although the bottom tiles may not be evenly sized from the shower base to the first faux grout line. Since every installation is slightly different, it is up to the installer to create a pattern match that is visually pleasing.

4. **For alcove installation only:** If the back panel must be cut (side-to-side) to fit the opening, find and mark the center of the back wall in the alcove opening. Use a level to draw a line from the shower base to a point above the height of the wall panel.

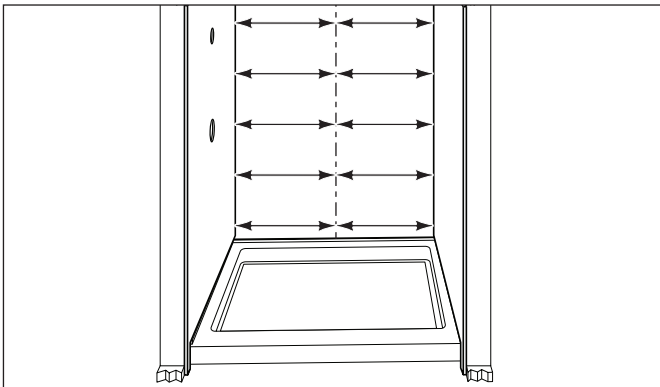


Installation Procedure

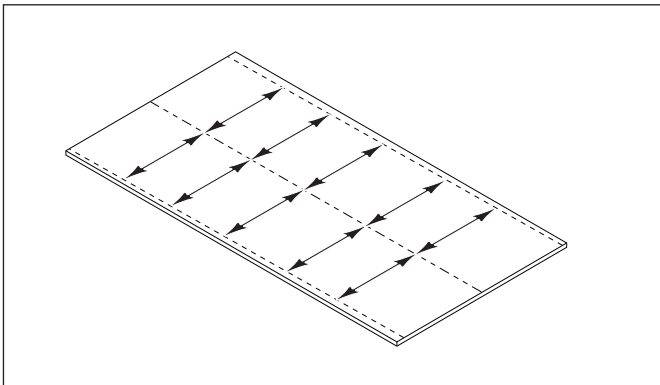
5. **For alcove installation only:** Place the panel, finished side facing up, on a flat surface. Using a pencil, lightly mark the center of the back panel.



6. **For alcove installation only:** Take several measurements, bottom-to-top, from the center line to each wall surface. These measurements will ensure the back panel fits the exact contour of the two.



7. **For alcove installation only:** Transfer the measurements onto the front surface of the back panel.



Note: The back panel can be cut **slightly** smaller than the opening because the side panels will cover any small gap (less than 1/4 inch).

Cutting the side panel to precisely fit the back wall is not necessary if a corner molding, supplied in some kits, is used. This corner molding can cover some gaps.

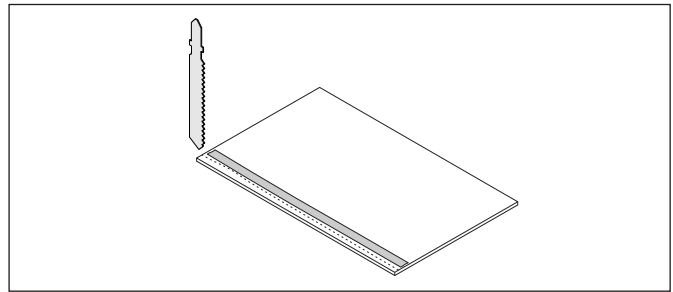
! WARNING



Dust Hazard

When cutting or drilling the wall products, use a dust collection method which prevents dust particles from going into the air. Always work in a well-ventilated area. To keep the area well-ventilated, open windows and use exhaust fans. Always use government health and safety agency approved dusk mask when cutting, drilling, or sanding wall products.

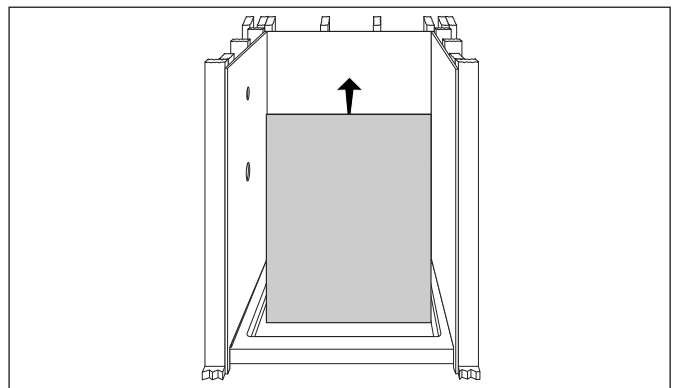
8. Place pieces of masking tape over the area where the saw contacts the finished surface of the panel.
9. Cut the panel using a circular saw with a 60-80 tooth carbide blade or a saber saw with a bi-metal blade (14 teeth per inch).



IMPORTANT NOTICE

Any cutout for accessories should have rounded corners (sharp corners can promote stress cracks).

10. **For alcove installation only:** Dry fit the back panel, and make any necessary adjustments. Temporarily secure the back panel to the wall in order to properly fit the front and rear panels.



IMPORTANT NOTICE

DO NOT force a panel to fit a bowed or curved wall as it may break; furthermore, the resiliency of the panel can break the silicone bond to the wall surface.

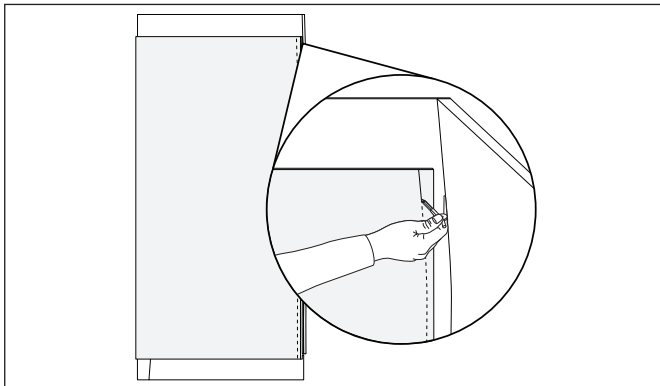
Side Panel (with shower controls)

If the side panels do not require cutting to size, proceed to Step 5.

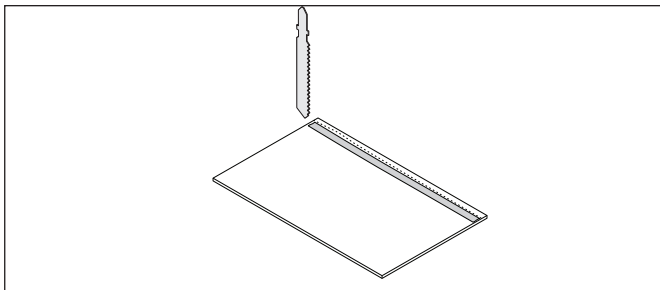
Note: Cutting the side panel to precisely fit the back wall is not necessary if a corner molding, supplied in some kits, is used. This corner molding can cover some gaps.

1. Place the panel on top of the shower base and slide it against the back wall panel. If the side panel has only one finished edge, make sure that the finished edge is facing out.
2. Scribe (mark) the panel, as shown. If the panel is wider than the wall, take this width into consideration when scribing the panel.

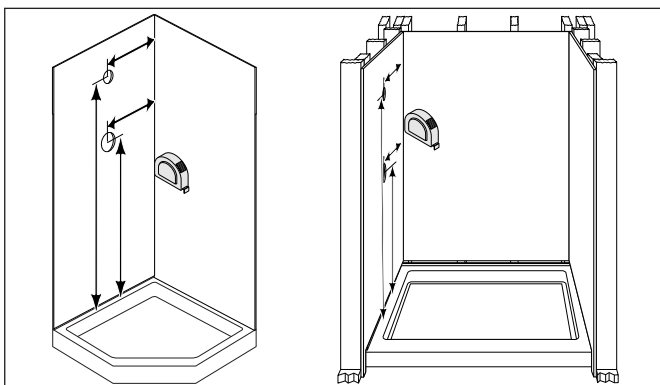
Note: Precisely scribing and cutting the panel will provide a clean 90 degree corner with no need for corner molding.



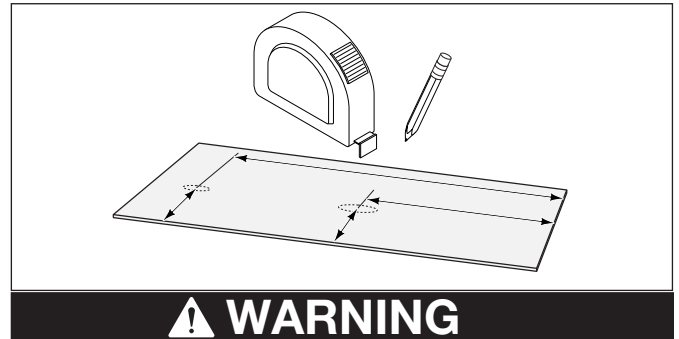
3. Place the wall panel, finished side facing up, on a flat surface. Place pieces of masking tape over the area where the saw contacts the wall panel.
4. Cut the panel using a circular saw with a 60-80 tooth carbide blade or a saber saw with a bi-metal blade (14 teeth per inch).



5. Measure the openings for the shower controls and shower head.



6. Place the wall panel, finished side facing up, on a flat surface. Transfer the measurements to the panel.

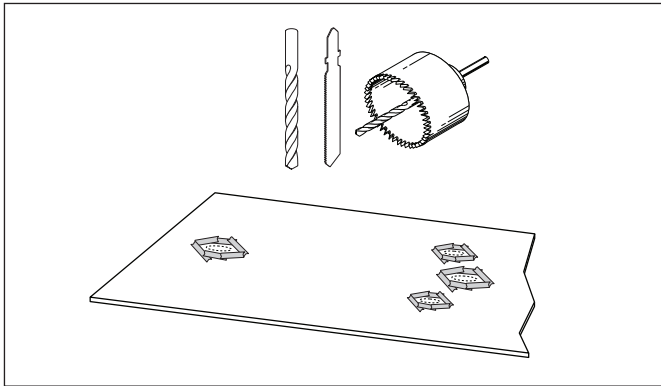


Dust Hazard

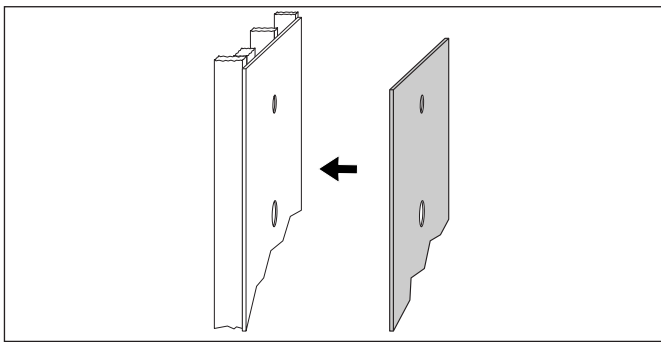
When cutting or drilling the wall product, use a dust collection method which prevents dust particles from going into the air. Always work in a well-ventilated area. To keep the area well-ventilated, open windows and use exhaust fans. Always use government health and safety agency approved dust mask when cutting, drilling, or sanding wall products.

Installation Procedure

7. Cut clearance holes using a router, saber saw, or hole saw. Drill or cut from the finished side of the panel. For best results, when drilling, place a scrap of wood beneath the hole to ensure a clean cut.



8. Dry fit the panel, and make any necessary adjustments.

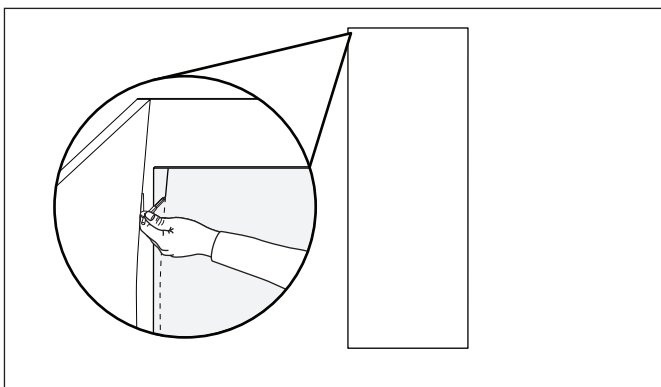


Side Panel (without shower controls)

If the panel does not require cutting to size, proceed to the next section.

1. Place the panel on top of the shower base and slide it against the back wall panel.
2. Scribe (mark) the panel, as shown. If the panel is wider than the wall, take this width into consideration when scribing the panel.

Note: Precisely scribing and cutting the panel will provide a clean 90 degree corner with no need for corner molding.



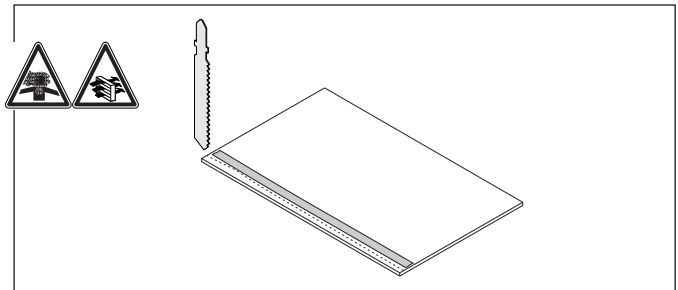
3. Place the wall panel, finished side facing up, on a flat surface. Place pieces of masking tape over the area where the saw contacts the wall panel.

! WARNING

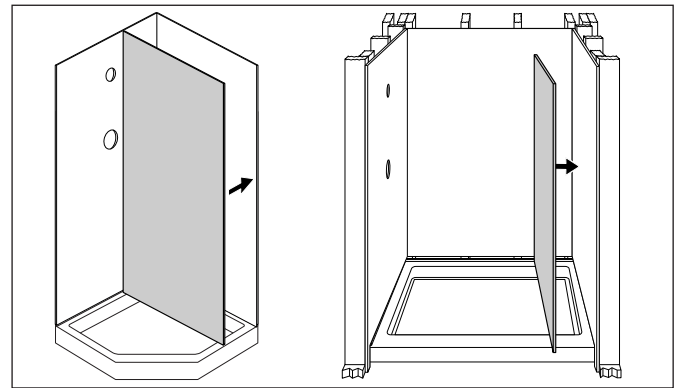
Dust Hazard

When cutting or drilling the wall product, use a dust collection method which prevents dust particles from going into the air. Always work in a well-ventilated area. To keep the area well-ventilated, open windows and use exhaust fans. Always use government health and safety agency approved dust mask when cutting, drilling, or sanding wall products.

4. Cut the panel using a circular saw with a 60-80 tooth carbide blade or a saber saw with a bi-metal blade (14 teeth per inch).



5. Dry fit the panel, and make any necessary adjustments.



Panel Installation

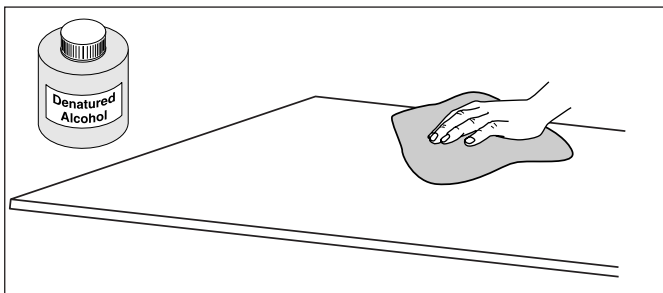
⚠ WARNING



Fumes Hazard

The fumes from the silicone and solvents used by the installer can be harmful if used in an unventilated room. Always work in a well-ventilated area. To keep the area well-ventilated, open windows and use exhaust fans. If adequate ventilation is not achievable or practical, use respiratory protective equipment.

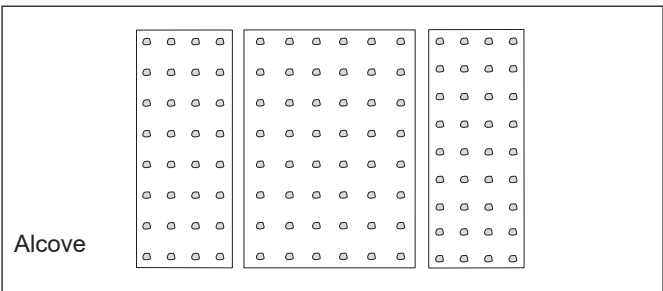
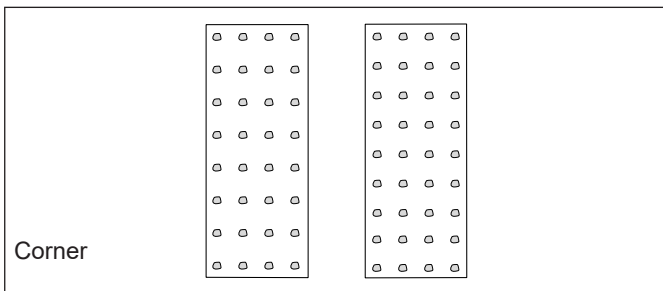
1. Clean the backs of each panel with denatured alcohol or another non oil-based cleaning solvent.



IMPORTANT NOTICE

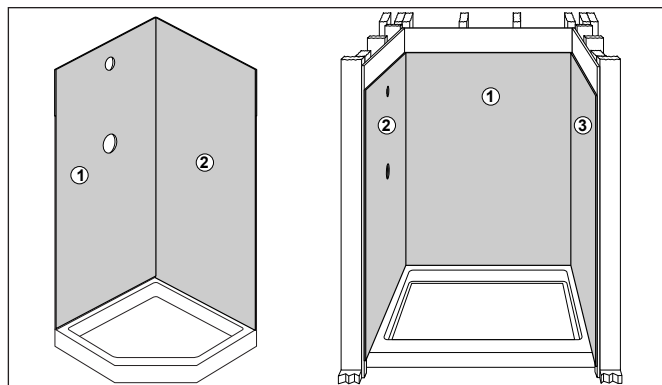
Do not use oil-based cleaners, such as mineral spirits, to clean the panels. The oil in the cleaner will prevent the panel from adhering properly to the wall.

2. Apply the silicone in 1-1/4" diameter dots every 8 to 10 inches apart over the surface of the panel. Follow the silicone manufacturer's instructions and note all ventilation and installation precautions.



3. Corner: Install left-hand panel (1) first. Then, install right-hand panel (2).

Alcove: Install back panel (1) first. Then, install left-hand panel (2). Finally, install right-hand panel (3).



4. Firmly press the surface of each panel against the wall. It is important to apply hand pressure to the entire surface of the panel to bond it to the wall surface.

Installation Procedure

Temporary Bracing

Install temporary bracing to hold the three panels in place until the silicone holds the panels completely in place (typically 24 hours).

IMPORTANT NOTICE

To ensure contact between the panels and walls until the silicone sets, install temporary bracing after completing installation. The bracing should be constructed from lengths of 2 x 4's. Failure to brace in the manner described could keep the panels from adhering, resulting in personal injury, as well as water damage or other damage to floors, walls, or other portions of your building or home.

IMPORTANT NOTICE

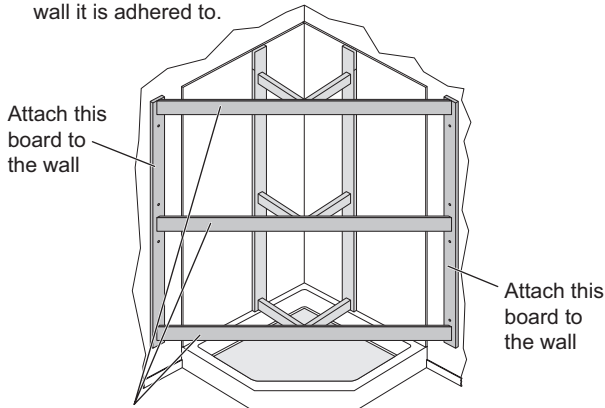
To prevent scratches or other damage, make sure there are no nails or other foreign objects in the surface of the bracing that is placed against the panel.

If the horizontal braces are fastened to the vertical braces using nails or screws, make sure the fasteners do not penetrate the surface of the panel. Also, to prevent possible damage to the walls, do not apply excessive pressure to the braces.

Corner Installation:

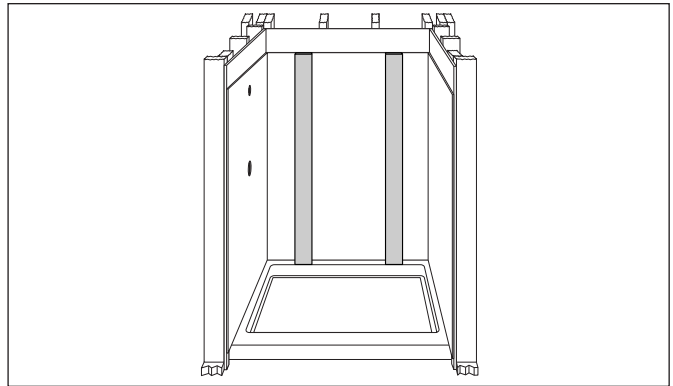
For corner shower wall installation use the following illustrated bracing design.

ATTENTION: Additional bracing may be required if the wall panel does not make full contact to the wall it is adhered to.

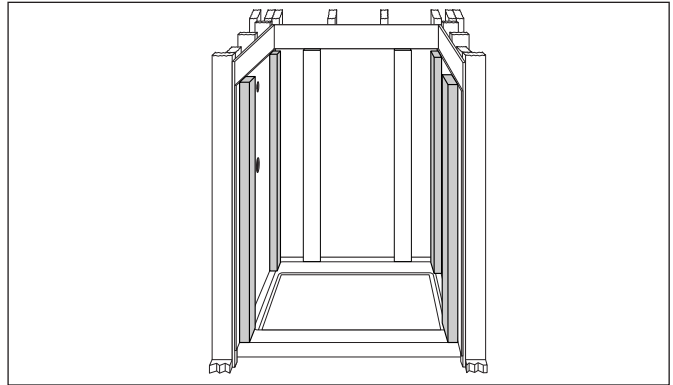


Alcove Installation:

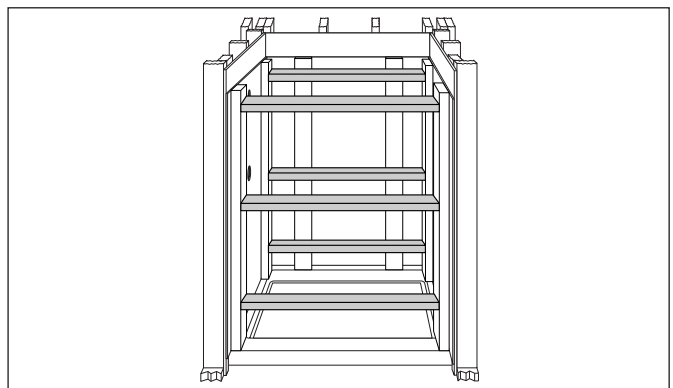
1. Place two or three braces against the back wall. Place two braces on panels that are 48" or less and three braces on panels greater than 48" wide.



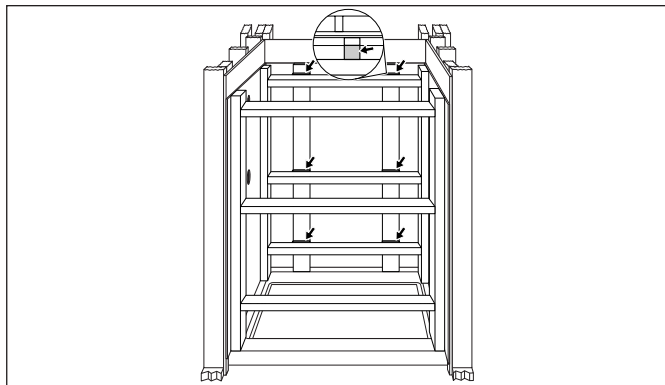
2. Place two braces against each left and right wall.



3. Install (wedge) three horizontal braces (six total) against the left and right wall braces.



4. Insert small blocks between the front-to-rear panel braces and the back panel braces. These will apply pressure to the back panel to hold it in place.



5. Remove the braces after 24 hours.

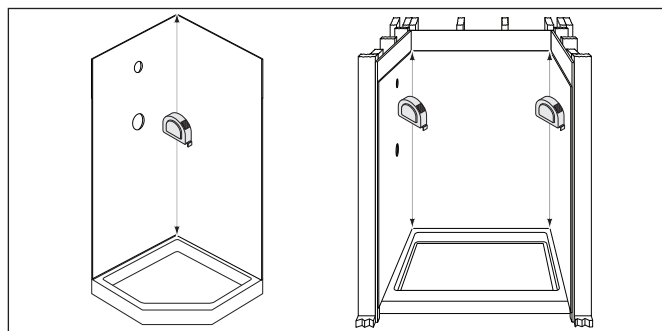
Corner Molding (if applicable)

Installing the corner molding is optional. If the panels were scribed and cut to create a tight-fitting corner, then the corner molding can be eliminated. If, however, there are gaps between the front/rear panel, the corner molding should be installed. Either option, if done properly, is acceptable.

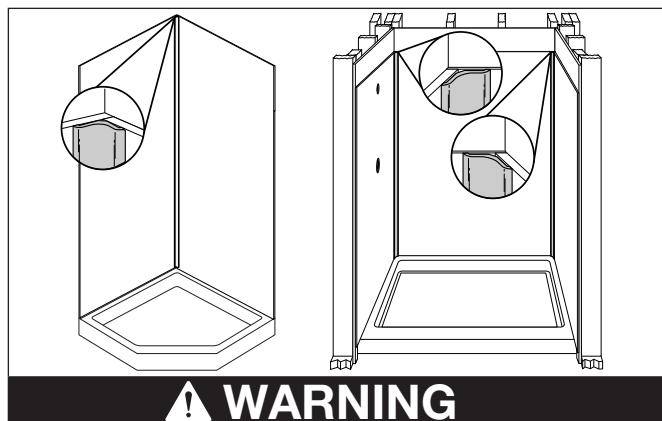
If the optional soap dish was installed, cut one piece of molding to fit above the soap dish and one for below the soap dish.

Note: Either clear or color matched silicone can be used to install corner molding strips.

1. Measure and cut the corner moldings to length.



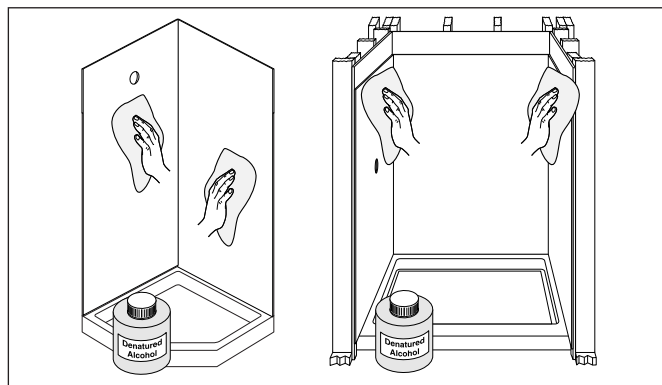
2. Dry fit the corner molding.



! WARNING

Fumes Hazard
 The fumes from the silicone and solvents used by the installer can be harmful if used in an unventilated room. Always work in a well-ventilated area. To keep the area well-ventilated, open windows and use exhaust fans. If adequate ventilation is not achievable or practical, use respiratory protective equipment.

3. Clean the surface of the panels and the back of the molding with denatured alcohol or another non-oil based solvent.

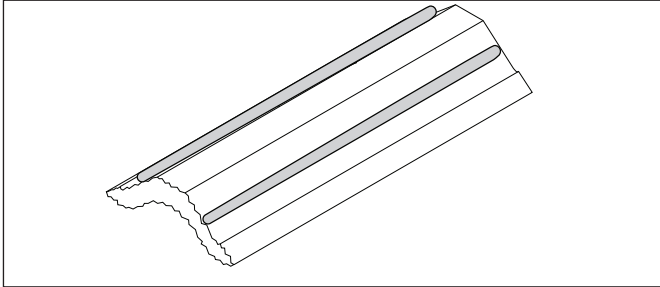


Installation Procedure

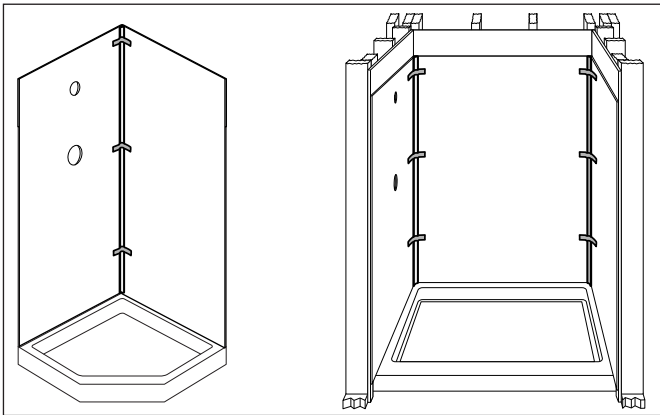
IMPORTANT NOTICE

Do not use oil-based cleaners, such as mineral spirits, to clean the panels. The oil in the cleaner will prevent the panel from adhering properly to the wall.

4. Apply two 1/8 to 1/4" beads of silicone to the back of the corner molding, as shown.



5. Press the corner moldings into place. Remove any excess silicone.
6. Place at least three pieces of masking tape on each corner molding to hold it in place until the silicone adheres to the wall panel.



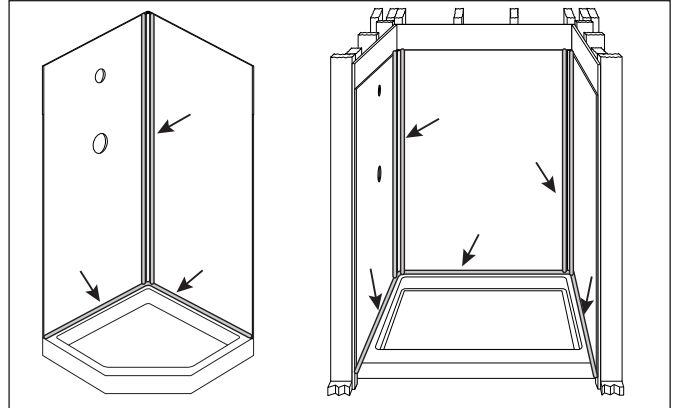
Final Caulking

Apply a bead of the 100% silicone sealant.

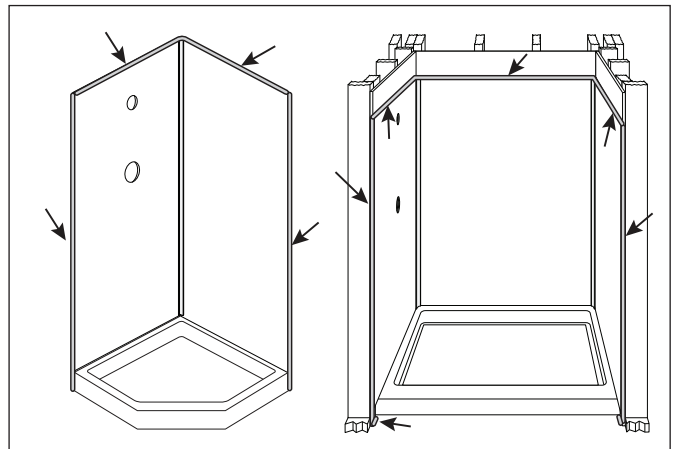
IMPORTANT NOTICE

Follow the manufacturer's instructions on the tube for proper application. Allow at least 24 hours for silicone to set before using the shower enclosure.

1. Apply 100% silicone sealant to all of the inside seams, as shown.



2. Also, apply 100% silicone sealant to the exterior edges, as shown. This silicone sealant is nonpaintable.



The installation is now complete. **DO NOT** discard these installation instructions. **PLEASE LEAVE THEM WITH THE HOMEOWNER.**

Attaching Shower Doors and Accessories

For other accessories, such as shower door, shelf, please consult the detailed installation guides of these products

Care and Cleaning

The wall products are stain and abrasion resistant; however, the finish requires reasonable care.

IMPORTANT NOTICE

Because cleaning products change over time, always check the manufacturer's instructions to make sure it is compatible with solid surface acrylic or with fiberglass reinforced polyester. DO NOT use a cleaner if the label indicates it should not be used on solid surface acrylics or fiberglass reinforced polyester. DO NOT use spray-on cleaners that require daily use without immediately rinsing with water to stop the chemical cleaning reaction because damage will result and void the warranty.

Day-To-Day Cleanup

Simply wipe the surfaces with a clean towel to remove watermarks and residues. All wall products can be cleaned with warm water, a soft cloth, and normal household detergents or cleansers, such as Fantastic, Formula 409, Clorox Clean-up, Handy Andy, Mr. Clean, Dow Scrubbing Bubbles, Lysol Foaming Tub and Tile Cleaner, Top Job, or Lestoil. Always rinse off cleaners within five minutes of application.

Occasional scrubbing with household abrasive cleaners ensures that the original luster is maintained.

Caulking Joints

Inspect caulking joints monthly for damage or any signs of separation from the mating surface. Cracks in the caulking will allow water to leak into the surrounding surfaces. **Reapply caulking to any joint showing signs of wear or cracking.** Failure to inspect and repair caulking joints will void the warranty.

LIMITED WARRANTY — UNITED STATES

MAAX Bath Inc. offers express limited warranty on each of its products. This warranty extends only to the original owner/end-user for personal household use. For commercial uses, additional limitations apply.

For accessing product Limited warranty please visit:

www.maax.com/us-warranty

LIMITED WARRANTY — CANADA

MAAX Bath Inc. offers express limited warranty on each of its products. This warranty extends only to the original owner/end-user for personal household use. For commercial uses, additional limitations apply.

For accessing product Limited warranty please visit:

www.maax.com/ca-warranty

GARANTIE LIMITÉE — CANADA

MAAX Bath Inc. offre une garantie limitée expresse sur chacun de ses produits. Cette garantie s'adresse uniquement au propriétaire/utilisateur original pour un usage personnel domestique. Des restrictions additionnelles s'appliquent aux utilisations commerciales

Pour accéder à la garantie limitée de votre produit, veuillez consulter le site :

www.maax.com/garantie

MAAX[®]

www.maax.com

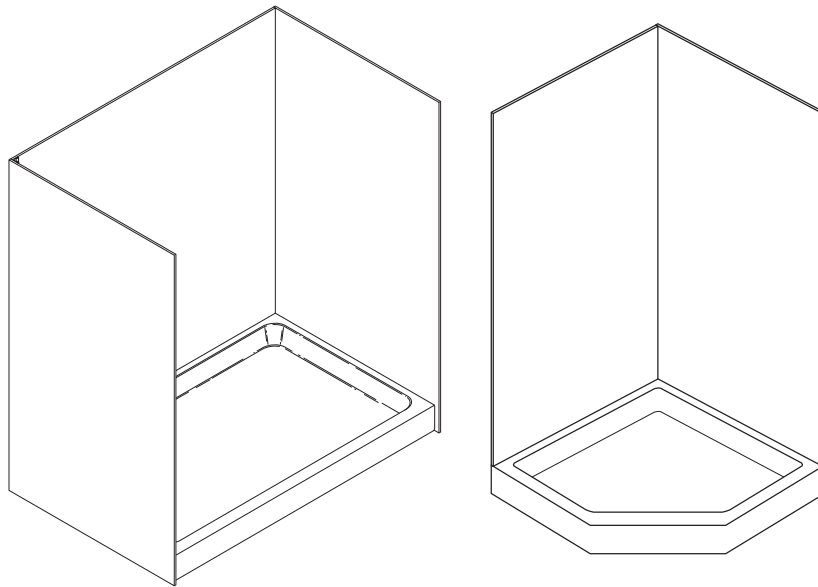
Technical Services / Service technique / Servicio técnico

T. 1 877 GET-MAAX (1 877 438-6229)

F. 1 888 361-2045

MODÈLE

107223 • 107224 • 107225 • 107226 • 107227 • 107228 • 107229 • 107230



- | | |
|--|-------------|
| ○ Consignes de sécurité | P.18 |
| ○ Outils requis | P.20 |
| ○ Contenu de l'ensemble | P.20 |
| ○ Astuces utiles et conseils de préparation | P.21 |
| ○ Procédure d'installation | P.22 |
| ○ Entretien et réparation de la surface | P.31 |
| ○ Informations sur la garantie | P.32 |

Versión en español a partir de la pagina 33



Une installation par deux personnes est recommandée.

Lire toutes les instructions attentivement avant de commencer l'installation.

CONSERVER POUR UN USAGE ULTÉRIEUR.

IMPORTANT • Noter le numéro de série

Numéro de série

MAAX assure que si le produit est installé et entretenu correctement, comme décrit dans ces instructions, il n'y aura pas de fuite.

N'oubliez pas: la
sécurité avant tout

AVIS IMPORTANT

MAAX, ne peut pas anticiper toutes les circonstances possibles qui pourraient impliquer un danger potentiel lors de l'installation de nos produits. Les avertissements et les instructions de ce guide d'installation ne sont donc pas exhaustifs. Si un outil, une procédure d'installation ou une méthode de travail qui n'est pas spécifiquement recommandée par MAAX est utilisé, vous devez vous assurer qu'il est validé. Vous devez également vous assurer que le ou les produits MAAX ne seront pas endommagés par les méthodes que vous choisissez. MAAX ne sera pas tenu responsable des dégâts d'eau de toute nature liés à l'installation de l'un de nos ensembles bain / douche / panneau MAAX.

! ATTENTION

Pour éviter d'endommager le produit, de se blesser ou même de provoquer la mort, lisez attentivement, comprenez et suivez toutes les instructions de ce guide d'installation avant d'installer ce (s) produit (s). N'utilisez pas de liquides de nettoyage ou n'utilisez pas d'outils électriques à moins d'avoir lu et compris les instructions et les avertissements. Il est de votre responsabilité d'utiliser correctement les outils et les produits décrits dans ce guide.

GARANTIE

Reportez-vous à la section Garantie de ce manuel pour plus de détails.

Conservez ce manuel pour référence future.

Des informations importantes sur le nettoyage, l'entretien et la réparation y sont contenues.

AVIS IMPORTANT

AVIS IMPORTANT: Des dommages et blessures peuvent être encourus si les instructions ne sont pas suivies.



Lire et comprendre le guide d'installation

Il incombe à toute personne qui installe ou entretient ce produit de bien comprendre et de suivre les procédures d'installation et d'entretien appropriées. Soyez conscient des dangers inhérents à l'utilisation d'outils électriques lors de l'installation de ce produit. Lisez et comprenez tous les avertissements, mises en garde et avis importants de ce manuel.



Travaillez en toute sécurité

NE PAS continuer en cas de doute sur la méthode pour exécuter quoi que ce soit dans ce manuel ou dans d'autres manuels MAAX. L'installation de ce produit peut nécessiter l'utilisation d'outils électriques. N'utilisez pas d'outils électriques sans une formation adéquate. Si nécessaire, engagez ou consultez un professionnel qualifié pour une assistance spécialisée avant de continuer.



Utilisez des outils appropriés

Utilisez toujours des outils appropriés et en bon état lors de l'installation des produits. L'utilisation d'outils autres que ceux énumérés pourrait nuire à l'intégrité des planchers, des tuyaux, des murs ou de ce produit et pourrait entraîner des dégâts d'eau ou d'autres dommages aux planchers, tuyaux, murs ou autres parties de votre bâtiment ou de votre maison.



N'utilisez pas de clous

Les panneaux se montent aux murs uniquement avec un mastic silicone 100% transparent. Il n'est PAS recommandé d'utiliser d'utiliser le silicone 100% de la marque GE. N'utilisez jamais de marteaux, de clous ou de vis. Ils peuvent nuire à l'intégrité de ce produit. Les clous et les vis pourraient perforer, entraînant des dégâts d'eau ou d'autres dommages aux planchers, tuyaux, murs ou autres parties de votre bâtiment ou de votre maison.



Inspecter avant de couper

Assurez-vous qu'aucun câblage électrique ou plomberie n'est présent avant de couper dans un mur pour installer des accessoires.



Conditions du mur

Inspectez les murs avant d'installer les panneaux. N'installez jamais de panneaux sur des murs humides ou sur une condition de moisissure existante.

! ATTENTION

ATTENTION: indique une situation potentiellement dangereuse qui, si elle n'est pas évitée, peut entraîner des blessures.



Utilisez des méthodes d'installation appropriées

Suivez toutes les instructions relatives à la préparation de la surface du mur. Le non-respect de ces instructions pourrait entraîner le détachement des panneaux de la surface du mur après l'installation, entraînant des blessures corporelles. Le non-respect de ces instructions peut entraîner des dégâts d'eau.

Risque de manipulation



Pour éviter les blessures, utilisez deux personnes pour déplacer les boîtes pesant plus de 51 livres. La boîte contenant les panneaux muraux peut peser jusqu'à 120 livres. Utilisez les dispositifs de manipulation appropriés pour déplacer la charge. Utilisez toujours deux personnes pour soulever des boîtes lourdes ou volumineuses. N'essayez PAS de soulever des objets trop lourds.

LORSQUE VOUS TRANSPORTEZ UNE CHARGE LOURDE - OBTENEZ DE L'AIDE!



Risque de glissade

N'installez pas ce produit en présence d'eau. L'installation de ce produit sans sécher toutes les surfaces, ou en présence d'eau, peut vous faire glisser et tomber en raison de sols humides ou de liquides renversés. Des blessures corporelles peuvent résulter de glissades ou de chutes. Avant l'installation, séchez toutes les surfaces, y compris le sol, avec un chiffon ou une serviette en papier. Nettoyez immédiatement tout liquide renversé.



Risque de trébuchement

Des blessures peuvent résulter d'un trébuchement sur des cordons d'alimentation, des outils ou d'autres objets. NE laissez PAS d'objets sur la zone de travail.



Protection personnelle

Veillez à utiliser tous les équipements de protection individuelle, tels que des bottes de travail robustes, de préférence avec des embouts en acier, des gants et un casque, si nécessaire, pour assurer votre propre sécurité. Pour éviter d'éventuels dommages à votre audition, portez toujours des protections auditives, tels que des casques antibruit ou des bouchons d'oreille, lorsque vous travaillez à proximité d'outils électriques.



Risque de coupure

L'installation des murs peut nécessiter l'utilisation d'outils électriques. Gardez vos mains éloignées du tranchant de tout outil utilisé dans l'installation de notre produit. Le fait de placer les doigts dans ou autour des lames de coupe peut entraîner des blessures graves.



Risque de bord tranchant

Après avoir coupé le bord d'un panneau, il peut être coupant. Portez des gants de protection pour éviter les blessures.



Température ambiante

Laissez les panneaux s'ajuster à la température ambiante pendant au moins six heures avant l'installation, et consultez les instructions du fabricant du mastic 100% silicone pour le stockage et la préparation de la surface. Les panneaux doivent être installés à des températures d'au moins 18 ° C. Les panneaux ne doivent pas être installés dans des zones où la température peut descendre sous le point de congélation. Le non-respect de cette recommandation pourrait nuire aux mastics de silicone qui maintiennent les panneaux au mur. Si les panneaux ne sont pas correctement collés aux murs, ils peuvent tomber et blesser quelqu'un dans ou autour de la douche.



Barres d'appui

Nous recommandons que les compartiments de douche soient équipés de barres d'appui conformes à la dernière édition des exigences ANSI-A117.1. Les barres d'appui doivent être ancrées au support structurel (poteaux muraux) derrière les panneaux. Ne comptez pas uniquement sur les panneaux pour le support de la barre d'appui!

ATTENTION

AVERTISSEMENT: Des dommages et blessures peuvent être encourus si les instructions ne sont pas suivies.



Protection des yeux

Assurez-vous d'utiliser tous les équipements de protection individuelle pour assurer votre propre sécurité. Pour éviter les blessures aux yeux, portez toujours des lunettes de protection avec écrans latéraux lorsque vous utilisez des outils électriques. Assurez-vous également que personne d'autre ne peut être blessé par des particules volantes lors de l'utilisation d'outils électriques.



Risque d'incendie

Des blessures corporelles ou la mort peuvent résulter d'un incendie causé par des liquides inflammables ou des mastics silicone. Les nettoyeurs ou les solvants peuvent être hautement explosifs, entraînant des blessures corporelles ou même la mort, lorsqu'ils ne sont pas utilisés correctement. Nettoyez immédiatement toute substance inflammable. Des étincelles ou des flammes peuvent provoquer l'inflammation de substances inflammables. NE FUMEZ PAS lorsque vous travaillez à proximité d'une substance inflammable.



Risque de solvants

Suivez toutes les instructions de sécurité du fabricant pour les mastics en silicone et l'alcool dénaturé. Les vapeurs d'alcool sont à la fois inflammables et dangereuses à respirer. Les émanations de silicone peuvent irriter les yeux et le nez. Des blessures peuvent résulter d'une mauvaise manipulation ou utilisation de produits, tels que l'alcool dénaturé. Suivez toujours les recommandations du fabricant pour une utilisation sûre de ces produits. Aérez toute zone de travail avant de commencer à appliquer des mastics silicones, des agents nettoyeurs ou des solvants.



Risque d'émanation

Les émanations du silicone et des solvants utilisés par l'installateur peuvent être nocifs s'ils sont utilisés dans une pièce non ventilée. Travaillez toujours dans un endroit bien ventilé. Pour garder la zone bien ventilée, ouvrez les fenêtres et utilisez des ventilateurs d'extraction. Si une ventilation adéquate n'est pas possible ou pratique, utiliser un équipement de protection respiratoire.



Risque de poussière

Lorsque vous coupez ou percez le produit, utilisez une méthode de dépoussiérage qui empêche les particules de poussière de pénétrer dans l'air. Travaillez toujours dans un endroit bien ventilé. Utilisez toujours un masque antipoussière approuvé par l'agence gouvernementale de santé et de sécurité lors de la coupe, du perçage ou du ponçage des produits MAAX.



Risque lié aux outils électriques

Pour éviter des blessures corporelles ou la mort possible, suivez toujours les recommandations de sécurité électrique du fabricant de l'outil électrique. N'utilisez pas d'outils électriques d'une manière dangereuse. Les outils électriques ne doivent être connectés qu'à un circuit protégé par un disjoncteur de fuite à la terre (GFI).



Risque de choc

N'utilisez jamais d'outils électriques à proximité d'eau, de condensation ou d'autres liquides. Les chocs électriques peuvent provoquer de graves brûlures, des blessures graves et même la mort. Si une rallonge est nécessaire, utilisez toujours une rallonge approuvée par l'agence gouvernementale de santé et de sécurité. Les cordons d'alimentation ne doivent être connectés qu'à un circuit protégé par un disjoncteur de fuite à la terre (GFI).



Risque d'électrocution

Le contact avec des câbles électriques sous tension avec des outils électriques ou des outils à main peut entraîner des blessures graves ou la mort. Assurez-vous que tous les disjoncteurs associés sont désactivés. Testez les circuits sous tension ou le câblage à l'intérieur de tout mur où l'installation du produit MAAX nécessite une découpe dans un mur.



Risque d'électrocution

L'eau et d'autres liquides conduisent le courant électrique et peuvent créer un court-circuit, entraînant des blessures ou la mort. Gardez tous les liquides à l'écart des cordons électriques et des outils électriques. NE PAS créer de court-circuit entre une source d'électricité et un liquide en étant en contact avec les deux simultanément.

Informations générales

Outils requis

- Mastic silicone transparent à 100%
- Scie circulaire avec lame en carbure de 60 à 80 dents
- Scie sabre (course droite de haut en bas) avec lame bimétallique (14 dents par pouce)
- Percer avec un foret de 3/8 po
- Scie cloche pour robinet de douche / pomme de douche
- Ruban à mesurer
- Ruban de masquage (2 po de large)
- Niveau
- Pistolet à calfeutrer
- Des serviettes en papier ou des serviettes propres
- 2 x 4 bois, au besoin pour le contreventement (voir les instructions de contreventement)
- Pistolet à colle chaude de qualité industrielle et bâtons de colle (facultatif)
- Alcool dénaturé

Contenu de l'ensemble

Vérifiez que toutes les pièces de cet ensemble ont été incluses avant de commencer l'installation.

Ces produits comprennent 2 panneaux et 1 moulure de coin:

107223/107227: Ensemble de murs de côté 36 po.

107224/107228: Ensemble de murs de côté 42 po

Ces produits comprennent 1 panneau et 1 moulure de coin (à combiner avec un ensemble de 2 panneaux pour une installation en alcôve):

107225/107229: Mur arrière 62 po

107226/107230: Mur arrière 50 po

Pour de meilleurs résultats, utilisez un mastic silicone transparent à 100% pour coller ce produit à un sous-mur correctement construit et préparé. Vous aurez besoin d'un tube de mastic silicone transparent à 100% (tube dimensionné pour s'adapter à un pistolet à calfeutrer standard) pour chaque 1440 pouces carrés ou 10 pieds carrés, ou de 4 à 10 tubes pour une douche moyenne. Suivez la recommandation d'application située dans la section Installation du panneau de ce manuel.

Il n'est PAS recommandé d'utiliser le silicone 100% de la marque GE.

Déballage

- Soyez prudent lors de l'ouverture de la boîte afin de ne pas endommager les panneaux.
- Ce produit est expédié à vous ou au magasin après une inspection minutieuse. Suite à votre achat, déballez soigneusement et inspectez le produit pour tout dommage de transport qui aurait pu survenir. En cas de dommage, signalez-le immédiatement au magasin. Après l'inspection et pendant l'installation, protégez les produits des dommages de construction en les déplaçant dans une autre pièce ou zone jusqu'à ce qu'ils soient prêts à installer.
- Placer les panneaux dans un endroit plat pour éviter toute déformation jusqu'au moment de l'installation. Ne placer pas les panneaux en dehors de l'emballage d'origine en position verticale.
- Veuillez utiliser le numéro de modèle situé sur le côté de la boîte ou à l'avant de ce manuel lorsque vous nous contactez pour des questions concernant l'installation de ce produit.
- Assurez-vous que les murs sont de la bonne taille et en bon état. L'installation d'un produit endommagé annulera la garantie.

Astuces utiles

- Lisez attentivement ces instructions et familiarisez-vous avec les différentes parties de l'ensemble.
- La variété des installations possibles pour cet ensemble peut nécessiter des procédures autres que celles illustrées. Assurez-vous que la construction est correctement dimensionnée, d'équerre.
- Conservez la grande boîte en carton pour protéger le sol de la douche pendant le processus d'installation et l'utiliser comme modèle pour couper le panneau arrière de la douche.
- Laissez suffisamment de temps aux pièces de cet ensemble pour s'adapter à la température ambiante. Nous ne recommandons pas l'installation de ce produit à des températures inférieures à 65 degrés (18.3 °C).
- Des chevalets avec des traverses 2 x 4 ou une table de travail sont utiles pendant le processus d'installation.
- Transportez toujours les panneaux verticalement. Soyez prudent lorsque vous posez les panneaux à plat pour éviter toute flexion, en particulier lorsque les panneaux comportent une découpe.
- Entreposer les matériaux inutilisés loin de la zone de travail pour éviter tout dommage accidentel.
- Si la douche est placée au-dessus d'un garage ou sur un mur extérieur, il faut veiller à ce que la douche soit correctement isolée des températures froides.

Conseils de préparation

- Mesurez la largeur du mur arrière (avec le panneau de cloison sèche résistant à l'humidité) installé. Cette mesure ne peut pas dépasser la largeur du panneau arrière. Si l'ouverture du mur est trop grande, d'autres méthodes ou deux panneaux seront nécessaires pour couvrir le mur.
- Coupez l'alimentation d'eau chaude et froide.
- Retirez les poignées de robinet, les rosaces, les becs de remplissage et / ou tout ce qui est fixé au mur (p. Ex. barres de serviettes, porte-savons, etc.).
- Mesurez toujours l'emplacement des découpes de plomberie à partir du mur arrière vers l'avant et du rebord de la base de douche vers le haut.
- Assurez-vous que tous les travaux de plomberie ou d'électricité à l'intérieur des murs sont terminés avant l'installation des panneaux muraux.
- Préparez la zone avec une cloison sèche de 1/2 po (13 mm) résistant à l'humidité ou un panneau en ciment. N'installez jamais nos produits directement sur une structure qui est ou pourrait devenir mouillée ou humide.
- Essayez de monter les panneaux latéraux avant de commencer. Les panneaux ont un côté fini et un côté arrière non fini.
- Les murs doivent être pleins, d'équerre à moins de 1/8 po du vrai. Calez ou coupez l'ouverture, au besoin. Cet ensemble a été conçu avec une certaine adaptabilité pour les problèmes d'alignement mineurs.
- La surface murale doit être exempte de saleté, de film, de cire ou de tout autre résidu.
- Si vous installez un accessoire encastré, coupez le trou une fois le panneau installé et entièrement supporté par le mur. N'oubliez pas de positionner l'accessoire entre les montants muraux.

Conseils de calfeutrage

- Lorsque le travail est terminé, inspectez toutes les zones calfeutrées pour déceler les espaces et remplissez au besoin.
- Nettoyez tout excès de silicone oublié à l'aide d'alcool dénaturé et d'un chiffon propre.
- Faites très attention à ne pas perturber les joints de calfeutrage.

Procédure d'installation

Les panneaux peuvent être installés sur une variété de produits. Si vous avez l'intention d'appliquer les panneaux sur une surface autre que celles décrites, consultez un professionnel. Utilisez les sections suivantes lors de l'installation de ce produit sur:

- PANNEAUX DE CLOISON SÈCHE RÉSISTANT À L'HUMIDITÉ/PANNEAUX EN CIMENT
- PLÂTRE
- CIMENT / BÉTON
- TUILE
- PAPIER PEINT
- MASONITE

Panneaux de cloison sèche résistant à l'humidité ou panneaux en ciment

- La surface doit être sèche, lisse et exempte de poussière, d'écume de savon ou de tout autre contaminant.
- Pour assurer une bonne adhérence du produit, la surface du mur doit être scellée avec un apprêt / scellant à base d'eau ou d'huile.
- Une fois l'apprêt / scellant complètement sec, terminer l'installation en suivant les instructions de ce manuel.

Plâtre

Selon l'état de la surface murale existante, du silicone supplémentaire peut être nécessaire pour assurer le contact entre le substrat et le panneau mural.

- Texture sable ou finitions tourbillonnées lisses.
- Nettoyez la surface du mur avec un chiffon humide pour enlever toute poussière, écume de savon ou tout autre contaminant. La surface du mur doit être sèche et lisse.
- Pour assurer une bonne adhérence des murs, la surface du mur doit être scellée avec un apprêt / scellant à base d'eau ou d'huile.
- Une fois l'apprêt / scellant complètement sec, terminer l'installation en suivant les instructions de ce manuel.

Ciment / Béton

En fonction de l'état (planéité) de la surface murale existante, du silicone supplémentaire peut être nécessaire pour assurer le contact entre le substrat et le panneau mural.

- Pour assurer une bonne adhérence des panneaux, toute la zone doit être scellée avec deux couches d'eau ou d'apprêt / scellant à base d'huile.
- Une fois l'apprêt / scellant complètement sec, terminer l'installation en suivant les instructions de ce manuel.

Tuile

Selon l'état de la surface murale existante, du silicone supplémentaire peut être nécessaire pour assurer le contact entre le substrat et le panneau mural.

AVIS IMPORTANT

Les vieilles tuiles de céramique, s'ils adhèrent solidement, n'ont pas besoin d'être enlevées. Toutes les tuiles en plastique doivent être enlevées.

Procédure d'installation

- Retirez ou rattachez les tuiles de céramique détachées. Les vieilles tuiles à l'avant peuvent être remises pour l'apparence seulement
- Retirez tous les accessoires de carrelage fixés aux murs.
- Retirez la rangée inférieure de carreaux et coupez un espace de ventilation dans le substrat.
- La surface doit être sèche, lisse et exempte de poussière, d'écume de savon ou de tout autre contaminant.
- Terminez l'installation en suivant les instructions de ce manuel.

Papier peint

- Tout le papier peint doit être retiré de la zone couverte. Nettoyez la surface du mur pour enlever toute poussière, écume de savon ou tout autre contaminant. La surface du mur doit être sèche et lisse.
- Pour assurer une bonne adhérence du produit, toute la surface du mur doit être scellée avec deux couches d'eau ou d'apprêt / scellant à base d'huile.
- Une fois l'apprêt / scellant complètement sec, terminer l'installation en suivant les instructions de ce manuel.

Masonite

- Nettoyez la surface du mur pour enlever toute poussière, écume de savon ou tout autre contaminant. La surface du mur doit être sèche et lisse.
- Pour assurer une bonne adhérence du panneau, la surface du mur doit être scellée avec un apprêt / scellant à base d'eau ou d'huile.
- Une fois l'apprêt / scellant complètement sec, terminer l'installation en suivant les instructions de ce manuel.

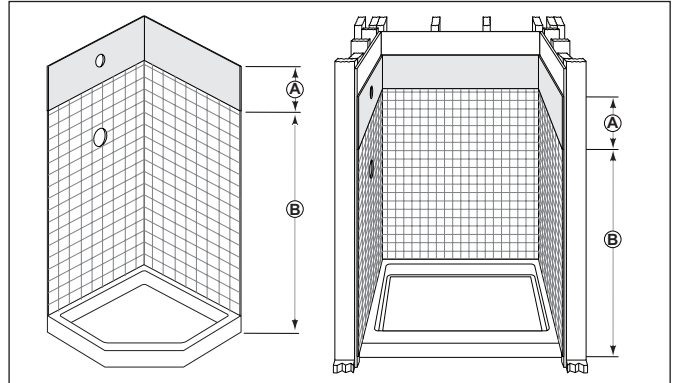
Bien suivies, ces instructions d'installation permettront une installation facile et sans problème de votre produit. Tout écart, ajout et / ou suppression de l'installation prescrite, sans approbation écrite préalable, annulera la garantie couvrant ce produit.

Avertissement

- Les informations contenues dans ce manuel d'installation sont fournies gratuitement. Il est basé sur des données techniques que nous croyons fiables et est destiné à être utilisé par des personnes ayant une connaissance de ce domaine technique, à leur propre discrétion et à leurs propres risques. MAAX n'assume aucune responsabilité pour les résultats obtenus ou les dommages causés par l'utilisation de ce matériel, en tout ou en partie, par l'acheteur.
- Ce manuel vous donnera des instructions de base pour l'installation du produit dans une séquence étape par étape qui fonctionnera dans la plupart des types d'installations. Si vous avez un type d'installation qui n'est pas couvert dans ce manuel, veuillez appeler MAAX directement pour obtenir des informations supplémentaires sur votre installation.
- Suivez toutes les instructions d'installation. Le non-respect de ces instructions peut entraîner des blessures, des dégâts d'eau ou d'autres dommages aux planchers, tuyaux, murs ou autres parties de votre bâtiment ou de votre maison.

Panneaux de remplissage

Si un revêtement mural existant (ex: de la tuile) ne s'étend pas à une hauteur égale à la hauteur du panneau, il sera nécessaire d'installer un panneau de remplissage à cette hauteur. Le panneau de remplissage doit être égal à l'épaisseur du revêtement mural existant (la tuile). Habituellement, un panneau de masonite de 1/4 po ou un matériau similaire est adéquate. Si vous le souhaitez, le panneau de remplissage peut s'étendre du bord supérieur de la tuile jusqu'au plafond.



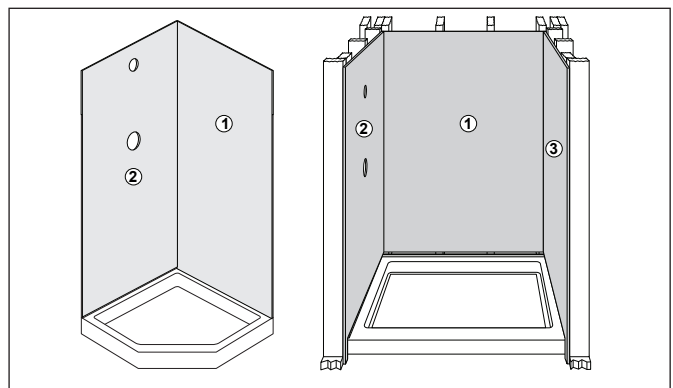
Remarque: le fait de ne pas utiliser de panneau de remplissage pour installer correctement les panneaux pourrait entraîner des dégâts d'eau ou d'autres dommages aux planchers, aux murs ou à d'autres parties de votre bâtiment ou de votre maison.

Installation du panneau mural

Remarque: si les panneaux muraux doivent être installés sur une surface de mur de douche existante, passez à la section suivante.

Installez un panneau de cloison sèche résistant à l'humidité ou un panneau en ciment de 1/2 po sur les surfaces murales arrières (1), et de côté (2, 3).

1. Mesurez et coupez les ouvertures pour le (s) robinet (s) de douche et la pomme de douche avant l'installation.
2. Installez le panneau mural avec un espace de 1/2 po au-dessus de la lèvres latérale de la base de douche pour éviter les dommages possibles par l'eau (effet de mèche).

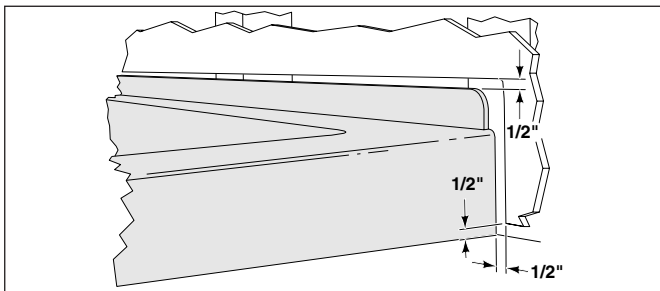


3. Le panneau en ciment ou les cloisons sèches DOIVENT être coupés pour s'ajuster contre le bord avant de la base de douche.

AVIS IMPORTANT

Pour un aspect fini, installez les panneaux de cloisons sèches résistant à l'humidité jusqu'au bord avant de la base de douche laissez un espace de 1/2 " entre la base de douche et le les panneaux de cloisons sèches résistant à l'humidité.

De plus, si la garniture de plinthe (non incluse) sera installée plus tard le long du plancher à côté de la base de douche, un espace de 1/2 po entre le plancher et le bas du panneau de cloison sèche est recommandé (voir l'illustration ci-dessous).



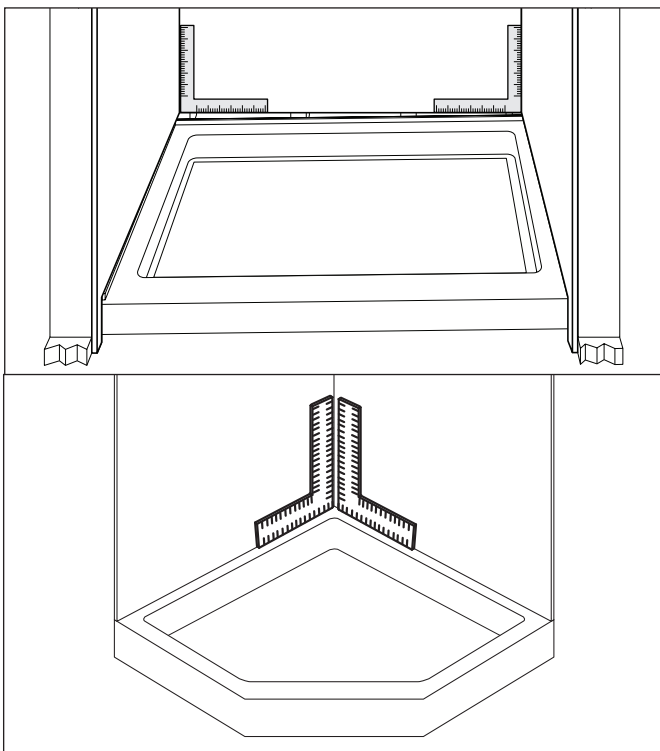
- Appliquez une couche d'apprêt / scellant à base d'eau ou d'huile sur toutes les surfaces du panneau en ciment ou du panneau de cloison sèche (suivre les instructions du fabricant). Laissez l'apprêt sécher complètement avant d'installer les panneaux.

Installation du panneau

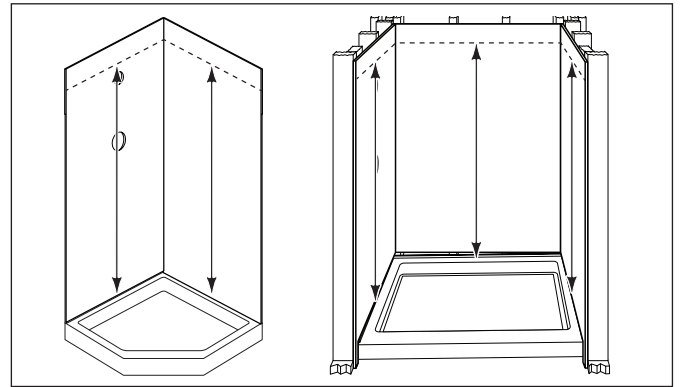
Panneau arrière

Si le mur du fond mesure moins que la largeur du panneau, coupez le panneau pour l'adapter à l'ouverture (pour installation en alcôve uniquement).

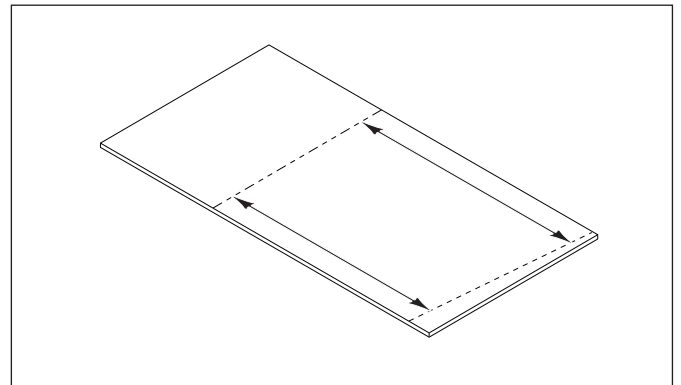
- En utilisant un carré de constructeur, assurez-vous que la base de douche est perpendiculaire aux parois latérales. Si les murs ne sont pas carrés, le bas de tous les panneaux devra peut-être être coupé pour suivre le contour de la base de douche.



- Si la base de douche n'est pas perpendiculaire au mur, utilisez un niveau et tracez une ligne autour de l'alcôve sur les trois murs. Mesurez la distance entre la ligne et le haut de la base de douche.

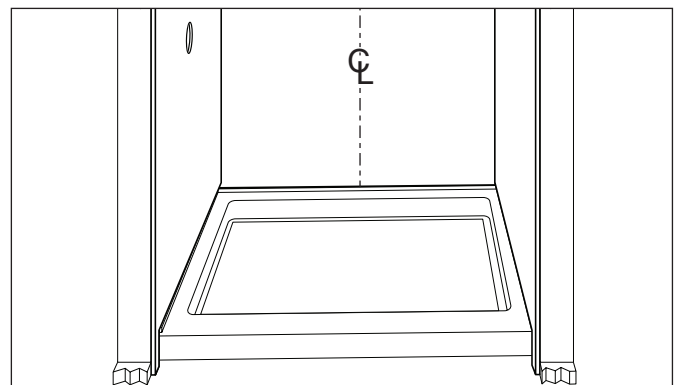


- Transférez ces mesures sur les deux panneaux latéraux et le panneau arrière. Découpez le bas des panneaux.



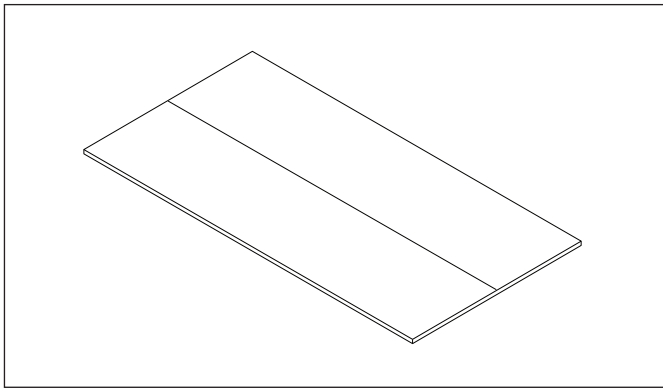
Remarque: ce processus maintiendra les lignes de faux coulis à niveau, même si les tuiles du bas ne sont pas de taille uniforme de la base de douche à la première ligne de faux coulis. Étant donné que chaque installation est légèrement différente, il appartient à l'installateur de créer une correspondance de modèle qui soit visuellement agréable.

- Si le panneau arrière doit être coupé (d'un côté à l'autre) pour s'adapter à l'ouverture, trouvez et marquez le centre de la paroi arrière dans l'ouverture de l'alcôve. Utilisez un niveau pour tracer une ligne entre la base de douche et un point au-dessus de la hauteur du panneau mural.

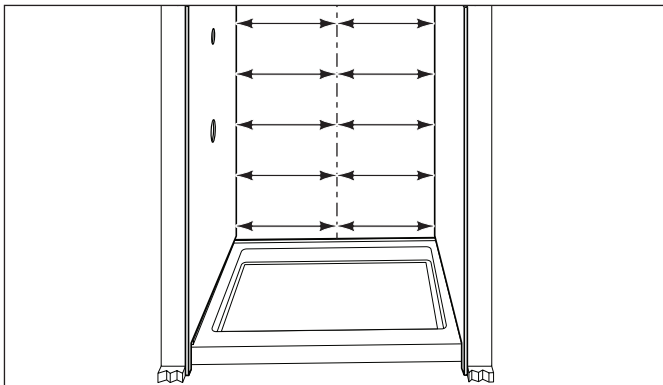


Procédure d'installation

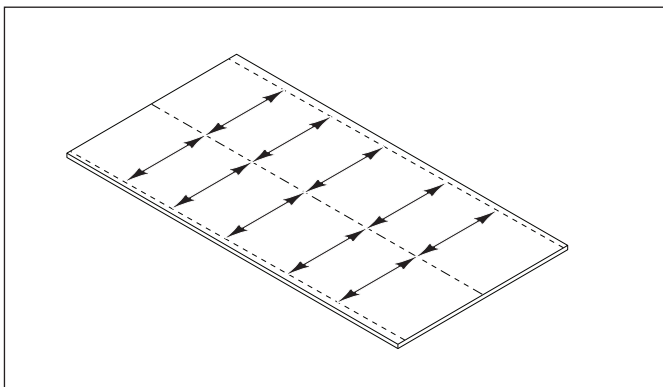
5. **Pour installation en alcôve uniquement:** Placez le panneau, face finie vers le haut, sur une surface plane. À l'aide d'un crayon, marquez légèrement le centre du panneau arrière.



6. **Pour installation en alcôve uniquement:** Prenez plusieurs mesures, de bas en haut, de la ligne médiane à chaque extrémité du mur. Ces mesures garantiront que le panneau arrière épouse le contour exact des deux murs de côté.



7. **Pour installation en alcôve uniquement:** Transférez les mesures sur la surface avant du panneau arrière.



Remarque: Le panneau arrière peut être coupé légèrement plus petit que l'ouverture car les panneaux latéraux couvriront tout petit espace (moins de 1/4 de pouce).

Il n'est pas nécessaire de couper le panneau latéral pour s'adapter précisément à la paroi arrière si une moulure de coin, fournie dans certains ensembles, est utilisée. Cette moulure de coin peut couvrir certains espaces.

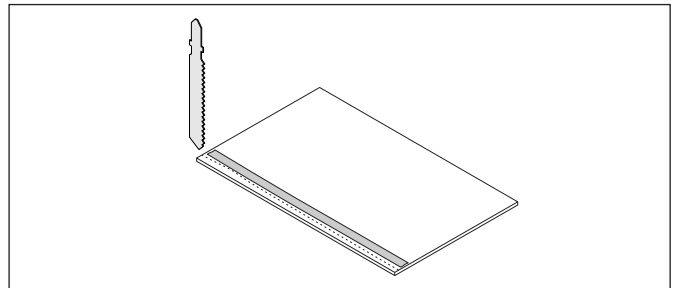
ATTENTION



Risque de poussière

Lorsque vous coupez ou percez le produit, utilisez une méthode de dépoussiérage qui empêche les particules de poussière de pénétrer dans l'air. Travaillez toujours dans un endroit bien ventilé. Pour garder la zone bien ventilée, ouvrez les fenêtres et utilisez des ventilateurs d'extraction. Utilisez toujours un masque antipoussière approuvé par l'agence gouvernementale de santé et de sécurité lors de la coupe, du perçage ou du ponçage des produits.

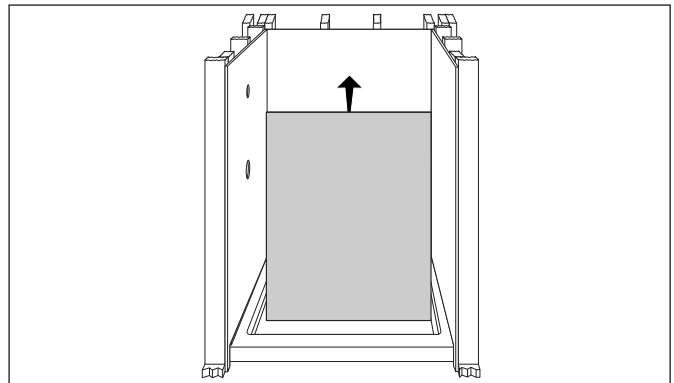
8. Placez des morceaux de ruban adhésif sur la zone où la scie entre en contact avec la surface finie du panneau.
9. Coupez le panneau à l'aide d'une scie circulaire avec une lame en carbure de 60 à 80 dents ou une scie sabre avec une lame bimétallique (14 dents par pouce).



AVIS IMPORTANT

Toute découpe pour les accessoires doit avoir des coins arrondis (les coins pointus peuvent favoriser la création de fissures).

10. **Pour installation en alcôve uniquement:** Ajustez à sec le panneau arrière et effectuez les ajustements nécessaires. Fixez temporairement le panneau arrière au mur afin d'ajuster correctement les panneaux avant et arrière.



AVIS IMPORTANT

NE PAS forcer un panneau à s'adapter à un mur courbé car il pourrait se casser; en outre, l'élasticité du panneau peut rompre la liaison du silicone avec la surface du mur.

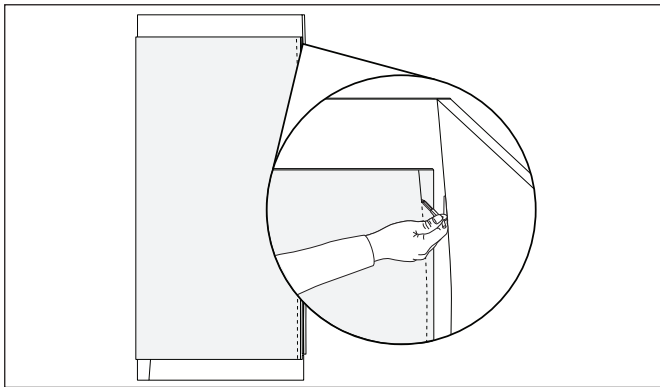
Panneau latéral (avec commandes de douche)

Si les panneaux latéraux ne nécessitent pas de découpe à la bonne taille, passez à l'étape 5.

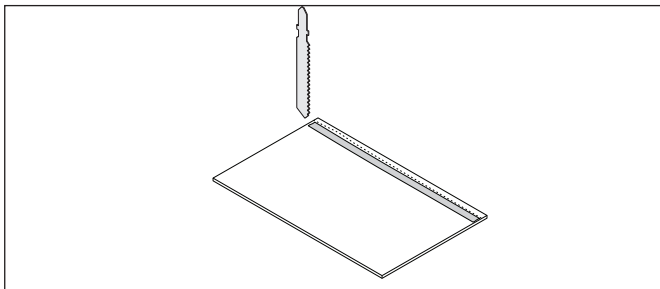
Remarque: Il n'est pas nécessaire de couper le panneau latéral pour s'adapter précisément à la paroi arrière si une moulure de coin, fournie dans certains ensembles, est utilisée. Cette moulure de coin peut couvrir certaines espaces.

1. Placez le panneau sur le dessus de la base de douche et faites-le glisser contre le panneau mural arrière. Si le panneau latéral n'a qu'un seul bord fini, assurez-vous que le bord fini est orienté vers l'extérieur.
2. Tracez (marquez) le panneau, comme illustré. Si le panneau est plus large que le mur, tenez compte de cette largeur lorsque vous tracez le panneau.

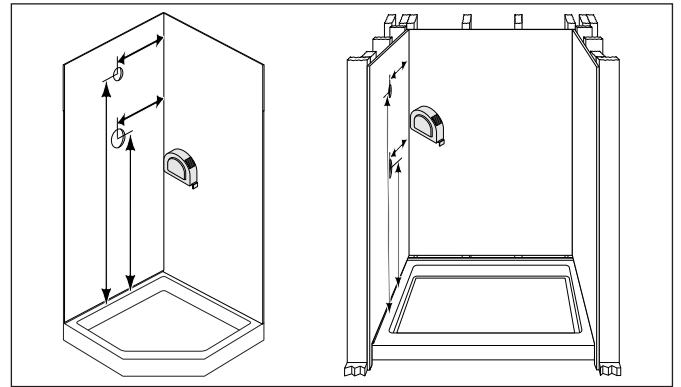
Remarque: Le traçage et la découpe précis du panneau fourniront un coin propre à 90 degrés sans avoir besoin de moulure de coin.



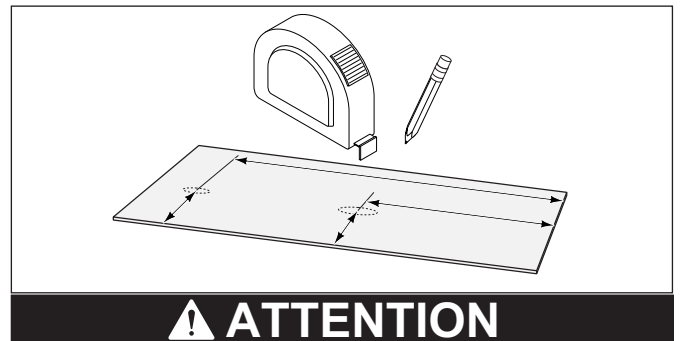
3. Placez le panneau mural, côté fini vers le haut, sur une surface plane. Placez des morceaux de ruban adhésif sur la zone où la scie entre en contact avec le panneau mural.
4. Coupez le panneau à l'aide d'une scie circulaire avec une lame en carbure de 60 à 80 dents ou une scie sabre avec une lame bimétallique (14 dents par pouce).



5. Mesurez les ouvertures pour les commandes de douche et la pomme de douche.



6. Placez le panneau mural, côté fini vers le haut, sur une surface plane. Transférez les mesures sur le panneau.

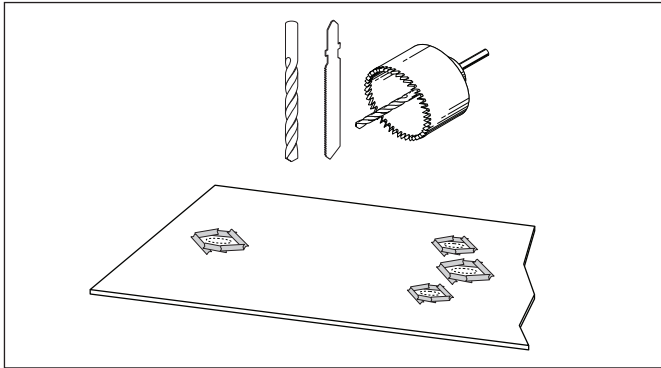


Risque de poussière

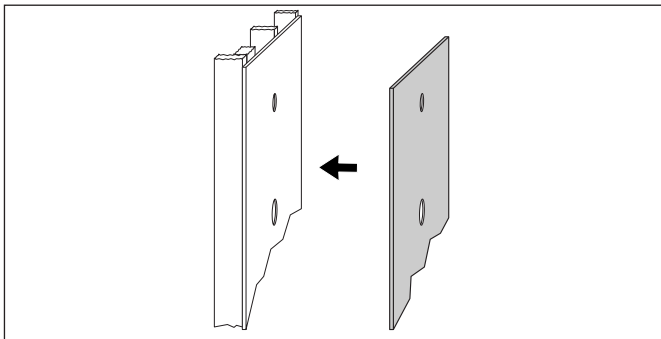
Lorsque vous coupez ou percez le produit, utilisez une méthode de dépoussiérage qui empêche les particules de poussière de pénétrer dans l'air. Travaillez toujours dans un endroit bien ventilé. Pour garder la zone bien ventilée, ouvrez les fenêtres et utilisez des ventilateurs d'extraction. Utilisez toujours un masque antipoussière approuvé par l'agence gouvernementale de santé et de sécurité lors de la coupe, du perçage ou du ponçage des produits.

Procédure d'installation

7. Découpez des trous de dégagement à l'aide d'une toupie, d'une scie sabre ou d'une scie cloche. Percez ou coupez du côté fini du panneau. Pour de meilleurs résultats, lors du perçage, placez un morceau de bois sous le trou pour assurer une coupe nette.



8. Installez le panneau à sec et effectuez les ajustements nécessaires.



Panneau latéral (sans commandes de douche)

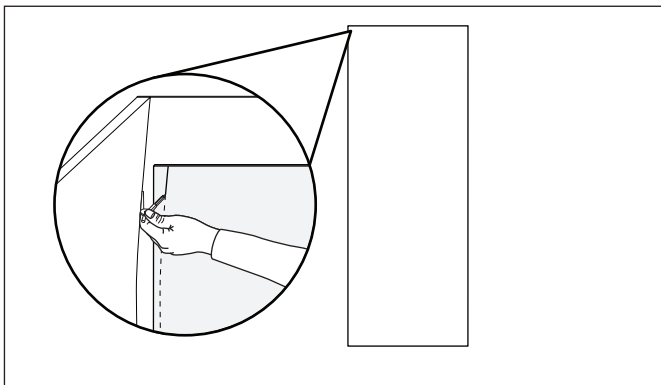
Si le panneau n'a pas besoin d'être découpé à la bonne taille, passez à la section suivante.

Remarque:

1. Placez le panneau sur le dessus de la base de douche et faites-le glisser contre le panneau mural arrière.
2. Tracez (marquez) le panneau, comme illustré. Si le panneau est plus large que le mur, tenez compte de cette largeur lorsque vous tracez le panneau.

Remarque:

Le traçage et la découpe précis du panneau fourniront un coin propre à 90 degrés sans avoir besoin de moulure de coin.



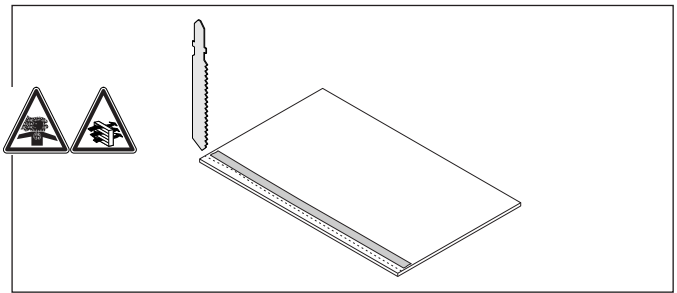
3. Placez le panneau mural, côté fini vers le haut, sur une surface plane. Placez des morceaux de ruban adhésif sur la zone où la scie entre en contact avec le panneau.

! ATTENTION

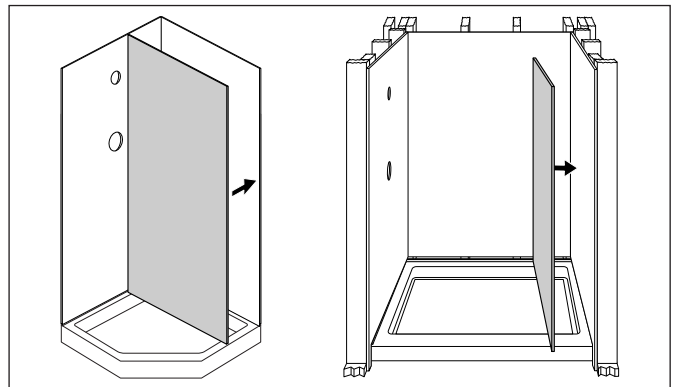
Risque de poussière

Lorsque vous coupez ou percez le produit, utilisez une méthode de dépoussiérage qui empêche les particules de poussière de pénétrer dans l'air. Travaillez toujours dans un endroit bien ventilé. Pour garder la zone bien ventilée, ouvrez les fenêtres et utilisez des ventilateurs d'extraction. Utilisez toujours un masque antipoussière approuvé par l'agence gouvernementale de santé et de sécurité lors de la coupe, du perçage ou du ponçage des produits.

4. Coupez le panneau à l'aide d'une scie circulaire avec une lame en carbure de 60 à 80 dents ou une scie sabre avec une lame bimétallique (14 dents par pouce).



5. Installez le panneau à sec et effectuez les ajustements nécessaires.



Installation du panneau

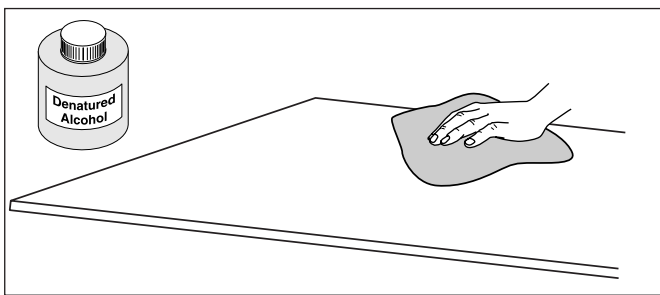
ATTENTION



Risque d'émanation

Les émanations du silicone et des solvants utilisés par l'installateur peuvent être nocifs s'ils sont utilisés dans une pièce non ventilée. Travaillez toujours dans un endroit bien ventilé. Pour garder la zone bien ventilée, ouvrez les fenêtres et utilisez des ventilateurs d'extraction. Si une ventilation adéquate n'est pas possible ou pratique, utiliser un équipement de protection respiratoire.

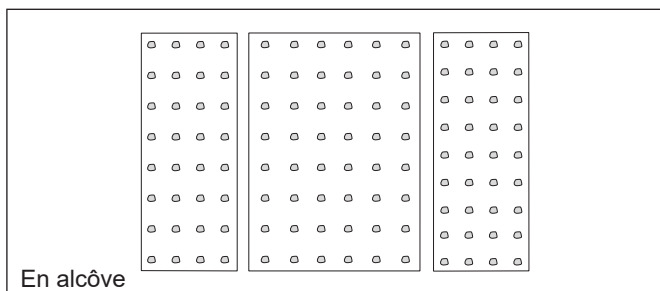
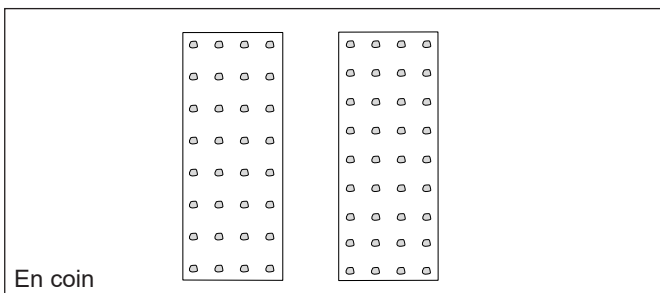
1. Nettoyez le dos de chaque panneau avec de l'alcool dénaturé ou un autre solvant de nettoyage sans huile.



AVIS IMPORTANT

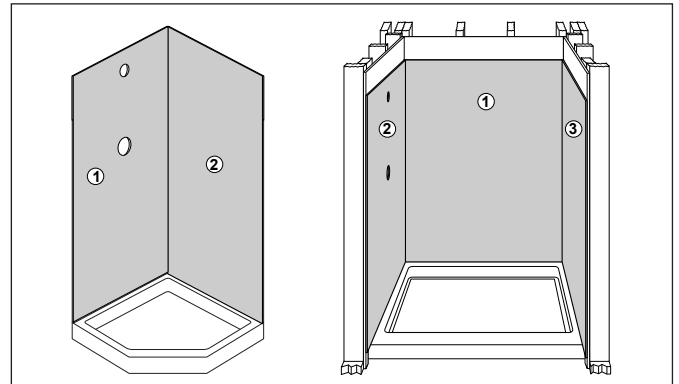
N'utilisez pas de nettoyeurs à base d'huile, tels que l'essence minérale, pour nettoyer les panneaux. L'huile contenue dans le nettoyeur empêchera le panneau d'adhérer correctement au mur.

2. Appliquez le silicone en points de 1 - 1/4" de diamètre tous les 8 à 10 pouces sur la surface du panneau. Suivez les instructions du fabricant de silicone et notez toutes les précautions de ventilation et d'installation.



3. **En coin:** Installez le panneau gauche (1). Ensuite, installez le panneau de droite (2).

En alcôve: Installez d'abord le panneau arrière (1). Ensuite, installez le panneau gauche (2). Enfin, installez le panneau de droite (3).



4. Appuyez fermement la surface de chaque panneau contre le mur. Il est important d'appliquer une pression manuelle sur toute la surface du panneau pour le coller à la surface du mur.

Procédure d'installation

Contreventement temporaire

Installez des contreventements temporaires pour maintenir les panneaux en place jusqu'à ce que le silicone tienne les panneaux complètement en place (généralement 24 heures).

AVIS IMPORTANT

Pour assurer le contact entre les panneaux et les murs jusqu'à ce que le silicone sèche, installez des contreventements temporaires une fois l'installation terminée. Le contreventement doit être construit à partir de longueurs de 2 x 4. Le non-respect des contreventements de la manière décrite peut empêcher les panneaux d'adhérer, entraînant des blessures corporelles, ainsi que des dégâts d'eau ou d'autres dommages aux planchers, aux murs ou à d'autres parties de votre bâtiment ou maison.

AVIS IMPORTANT

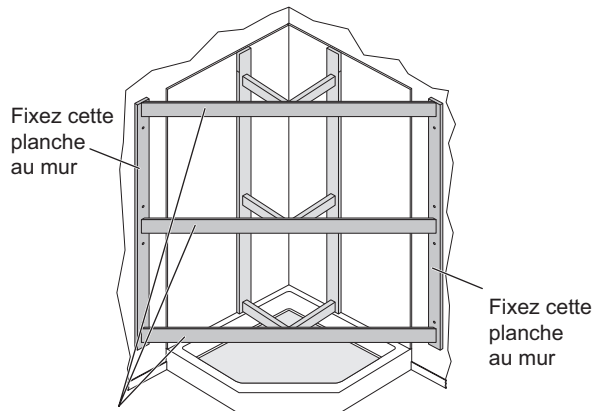
Pour éviter les rayures ou autres dommages, assurez-vous qu'il n'y a pas de clous ou d'autres corps étrangers sur la surface du 2x4 de bois placé contre le panneau.

Si les entretoises horizontales sont fixées aux entretoises verticales à l'aide de clous ou de vis, assurez-vous que les fixations ne pénètrent pas dans la surface du panneau. De plus, pour éviter d'endommager les murs, n'appliquez pas de pression excessive sur les entretoises.

Installation en coin:

Pour l'installation d'un mur de douche en coin, utilisez le contreventement illustré ci-dessous.

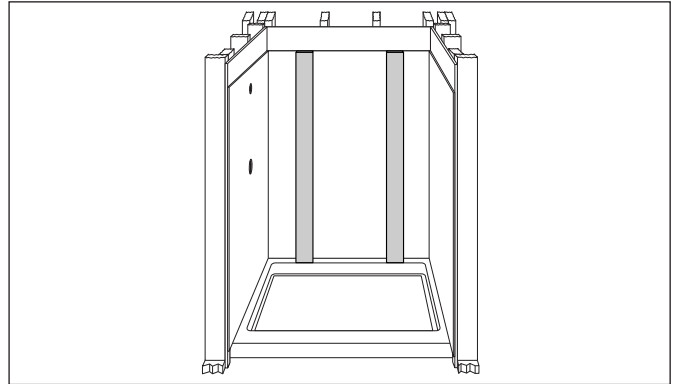
ATTENTION: des contreventements supplémentaires peuvent être nécessaires si le panneau n'effectue pas un contact complet avec le mur auquel il adhère.



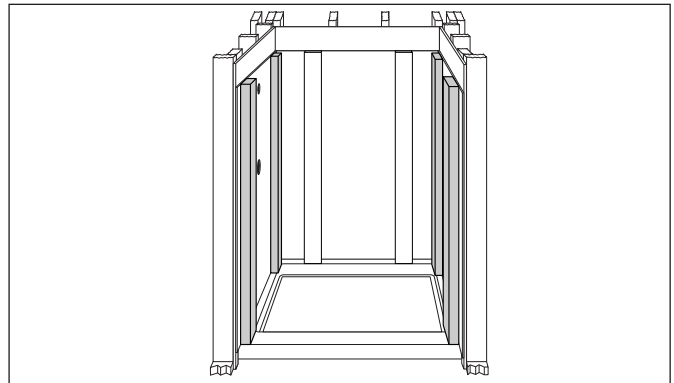
Ces planches doivent être attachées aux deux planches périphériques

Installation en alcôve:

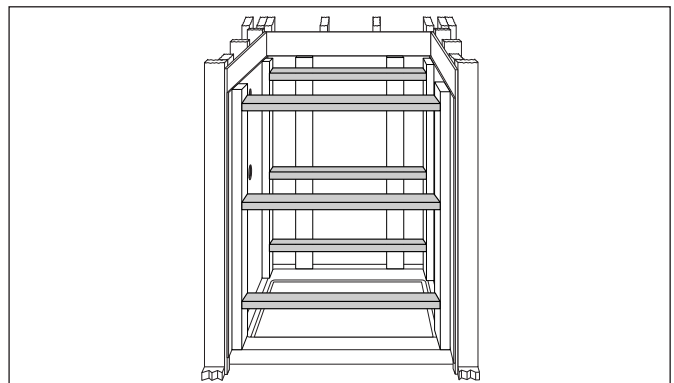
1. Placez deux ou trois entretoises contre le mur du fond. Placez deux contreventements sur des panneaux de 48 po ou moins et trois contreventements sur des panneaux de plus de 48 po de largeur.



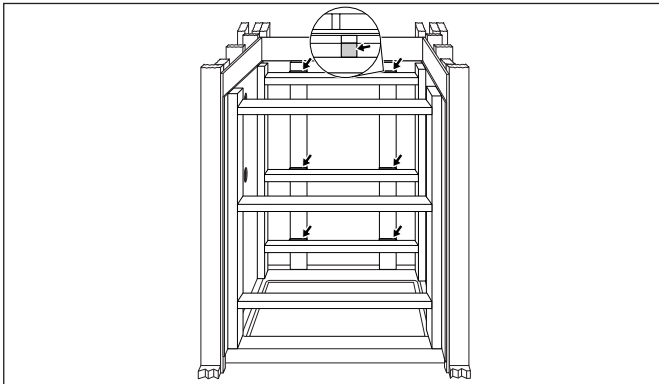
2. Placez deux entretoises contre chaque mur gauche et droit.



3. Installez (calez) trois entretoises horizontales (six au total) contre les entretoises murales gauche et droite.



4. Insérez de petits blocs entre les accolades du panneau avant-arrière et les accolades du panneau arrière. Ceux-ci appliqueront une pression sur le panneau arrière pour le maintenir en place.



5. Retirez les accolades après 24 heures.

Procédure d'installation

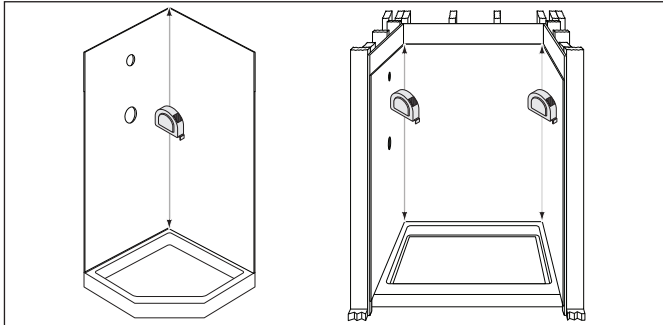
Moulure de coin (le cas échéant)

L'installation de la moulure de coin est facultative. Si les panneaux ont été tracés et coupés pour créer un coin bien ajusté, la moulure de coin peut être éliminée. Si, cependant, il y a des espaces entre le panneau avant / arrière, la moulure de coin doit être installée. L'une ou l'autre option, si elle est effectuée correctement, est acceptable.

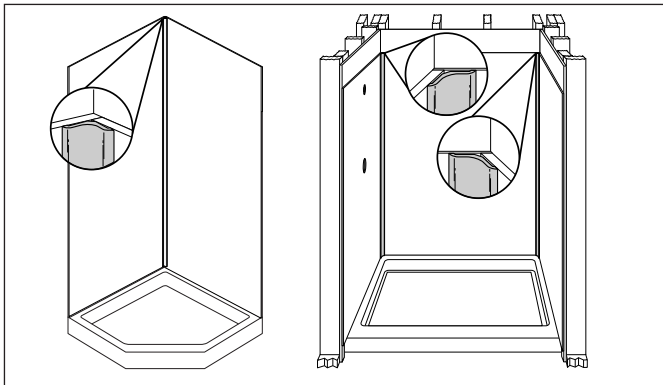
Si le porte-savon en option a été installé, coupez un morceau de moulure pour s'adapter au-dessus du porte-savon et un pour le dessous du porte-savon.

Remarque: Du silicone transparent ou de couleur assortie peut être utilisé pour installer les moulures de coin.

1. Mesurez et coupez les moulures de coin à la longueur.



2. Ajustez à sec la moulure de coin.



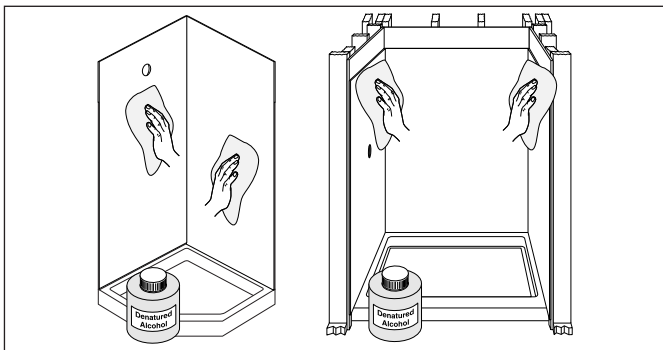
⚠ ATTENTION



Risque d'émanation

Les émanations du silicone et des solvants utilisés par l'installateur peuvent être nocifs s'ils sont utilisés dans une pièce non ventilée. Travaillez toujours dans un endroit bien ventilé. Pour garder la zone bien ventilée, ouvrez les fenêtres et utilisez des ventilateurs d'extraction. Si une ventilation adéquate n'est pas possible ou pratique, utiliser un équipement de protection respiratoire.

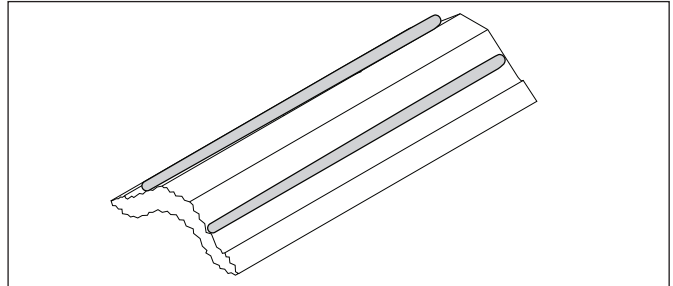
3. Nettoyez la surface des panneaux et le dos de la moulure avec de l'alcool dénaturé ou un autre solvant sans huile.



AVIS IMPORTANT

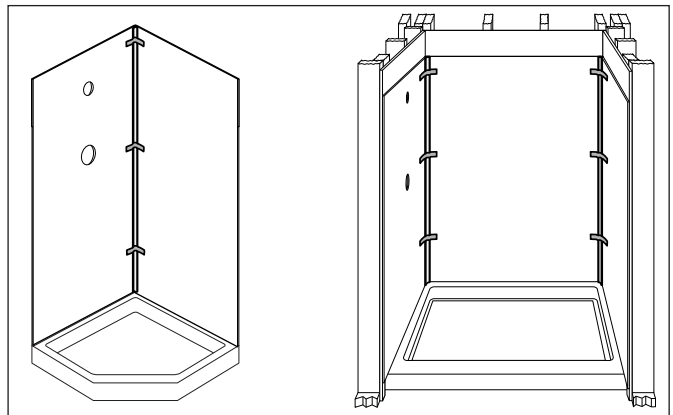
N'utilisez pas de nettoyants à base d'huile, tels que l'essence minérale, pour nettoyer les panneaux. L'huile contenue dans le nettoyant empêchera le panneau d'adhérer correctement au mur.

4. Appliquez deux perles de silicone de 1/8 à 1/4 po à l'arrière de la moulure de coin, comme illustré.



5. Appuyez sur les moulures de coin en place. Retirez tout excès de silicone.

6. Placez au moins trois morceaux de ruban adhésif sur chaque moulure d'angle pour le maintenir en place jusqu'à ce que le silicone adhère au panneau mural.



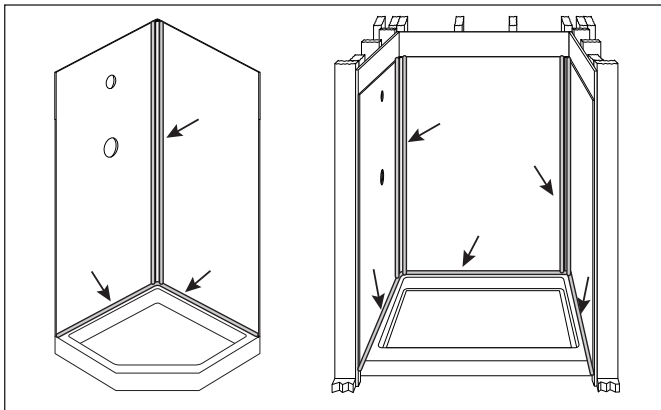
Calfeutrage final

Appliquez un cordon de mastic 100% silicone de couleur assortie.

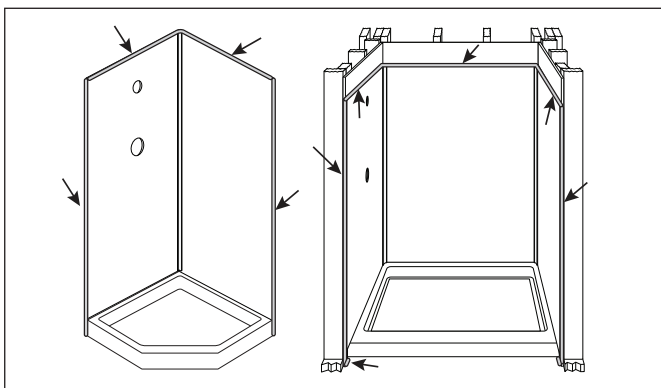
AVIS IMPORTANT

Suivez les instructions du fabricant sur le tube pour une application adéquate. Attendez au moins 24 heures pour que le silicone sèche avant d'utiliser la douche.

1. Appliquez un mastic 100% silicone de couleur assortie sur toutes les coutures intérieures, comme illustré.



2. Appliquez également un mastic 100% silicone de couleur assortie sur les bords extérieurs, comme illustré. Ce mastic silicone ne peut pas être peint.



L'installation est maintenant terminée. **NE jetez PAS ces instructions d'installation. VEUILLEZ LES LAISSER AU PROPRIÉTAIRE.**

Fixation des portes de douche et des accessoires

Pour les autres accessoires, tels que porte de douche, étagère, veuillez consulter les guides d'installation détaillés de ces produits.

Entretien et nettoyage

Les produits sont résistants aux taches et à l'abrasion; cependant, le produit nécessite un soin raisonnable.

AVIS IMPORTANT

Étant donné que les produits de nettoyage changent avec le temps, vérifiez toujours les instructions du fabricant pour vous assurer qu'il est compatible avec l'acrylique à surface solide ou avec le polyester renforcé de fibre de verre. **N'UTILISEZ PAS** de nettoyant si l'étiquette indique qu'il ne doit pas être utilisé sur des acryliques à surface solide ou du polyester renforcé de fibre de verre. **N'UTILISEZ PAS** de nettoyants en aérosol qui nécessitent une utilisation quotidienne sans rinçage immédiat à l'eau pour arrêter la réaction de nettoyage chimique car des dommages en résulteront et annuleront la garantie.

Nettoyage quotidien

Essayez simplement les surfaces avec une serviette propre pour éliminer les filigranes et les résidus. Tous les produits peuvent être nettoyés avec de l'eau tiède, un chiffon doux et des détergents ou nettoyants ménagers normaux, tels que Fantastic, Formula 409, Clorox Clean-up, Handy Andy, Mr.Clean, Dow Scrubbing Bubbles, Lysol Foaming Tub and Tile Cleaner, Top Job ou Lestoil. Toujours rincer les nettoyants dans les cinq minutes suivant l'application.

Un frottement occasionnel avec des nettoyants abrasifs ménagers garantit le maintien du lustre d'origine.

Joint de calfeutrage

Inspectez les joints de calfeutrage tous les mois pour déceler tout dommage ou tout signe de séparation de la surface de contact. Des fissures dans le calfeutrage permettront à l'eau de s'infiltrer dans les surfaces environnantes. **Réappliquez du calfeutrage sur tout joint présentant des signes d'usure ou de fissure.** Le défaut d'inspecter et de réparer les joints de calfeutrage annulera la garantie.

LIMITED WARRANTY — UNITED STATES

MAAX Bath Inc. offers express limited warranty on each of its products. This warranty extends only to the original owner/end-user for personal household use. For commercial uses, additional limitations apply.

For accessing product Limited warranty please visit:

www.maax.com/us-warranty

LIMITED WARRANTY — CANADA

MAAX Bath Inc. offers express limited warranty on each of its products. This warranty extends only to the original owner/end-user for personal household use. For commercial uses, additional limitations apply.

For accessing product Limited warranty please visit:

www.maax.com/ca-warranty

GARANTIE LIMITÉE — CANADA

MAAX Bath Inc. offre une garantie limitée expresse sur chacun de ses produits. Cette garantie s'adresse uniquement au propriétaire/utilisateur original pour un usage personnel domestique. Des restrictions additionnelles s'appliquent aux utilisations commerciales

Pour accéder à la garantie limitée de votre produit, veuillez consulter le site :

www.maax.com/garantie

MAAX[®]

www.maax.com

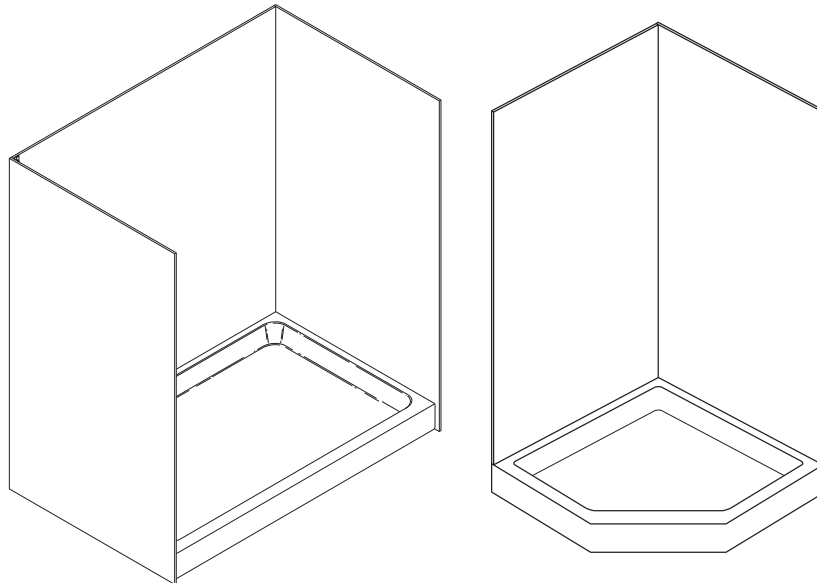
Technical Services / Service technique / Servicio técnico

T. 1 877 GET-MAAX (1 877 438-6229)

F. 1 888 361-2045

MODELO

107223 • 107224 • 107225 • 107226 • 107227 • 107228 • 107229 • 107230



○ Instrucciones de seguridad	P.34
○ Herramientas necesarias	P.36
○ Contenido del kit	P.36
○ Consejos útiles y de preparación	P.37
○ Procedimiento de instalación	P.38
○ Mantenimiento & reparación de superficies	P.47
○ Información de garantía	P.48



Se recomienda realizar la instalación entre dos personas.

Leer detenidamente todas las instrucciones antes de comenzar la instalación.

CONSERVE ESTE MANUAL COMO REFERENCIA.

IMPORTANTE • Registre el número de serie

Número de Serie

La garantía MAAX: si nuestro producto se instala y mantiene correctamente, como se indica en estas instrucciones, no tendrá fugas.

Recuerde: la seguridad es lo primero

AVISO IMPORTANTE

MAAX, no puede anticipar todas las posibles circunstancias que pudieran suponer un peligro potencial durante la instalación de nuestros productos. Por tanto, las advertencias e instrucciones de esta guía de instalación no son exhaustivas. Si se utiliza alguna herramienta, procedimiento de instalación o método de trabajo no recomendado específicamente por MAAX, debe asegurarse de que sea seguro. También debe asegurarse de que los productos MAAX no se dañen con los métodos que elija. MAAX no se hace responsable de los daños por agua de ningún tipo relacionados con la instalación de cualquiera de nuestros kits de baño / ducha / panel MAAX.

⚠ ATENCIÓN

Para evitar daños al producto, lesiones personales o incluso la muerte, lea atentamente, comprenda y siga todas las instrucciones de esta guía de instalación antes de instalar este producto. No utilice líquidos de limpieza ni herramientas eléctricas a menos que haya leído y comprendido las instrucciones y advertencias. Es su responsabilidad utilizar correctamente las herramientas y productos descritos en esta guía.

GARANTÍA

Consulte la sección Garantía de este manual para obtener más detalles.

Conserve este manual para consultarlo en el futuro.

En él se incluye información importante sobre limpieza, mantenimiento y reparación.

AVISO IMPORTANTE

AVISO IMPORTANTE: Indica que pueden ocurrir daños a la propiedad o daños a la propiedad si no se siguen las instrucciones.



Lea y comprenda la guía de instalación

Es responsabilidad de cualquier persona que instale o repare este producto comprender y seguir completamente los procedimientos de instalación y mantenimiento adecuados. Tenga en cuenta los peligros inherentes al uso de herramientas eléctricas al instalar este producto. Lea y comprenda todas las advertencias, precauciones y avisos importantes de este manual.



Trabajar de forma segura

NO proceda si tiene dudas sobre el método de realizar algo en este u otros manuales de Maax. La instalación de este producto puede requerir el uso de herramientas eléctricas. No utilice herramientas eléctricas sin la formación adecuada. Si es necesario, contrate o consulte a un profesional calificado para obtener asistencia especializada antes de continuar.



Utilice las herramientas adecuadas

Utilice siempre herramientas adecuadas cuando instale productos. El uso de herramientas distintas a las enumeradas podría afectar negativamente la integridad de los pisos, tuberías, paredes o este producto y podría resultar en daños por agua u otros daños a pisos, tuberías, paredes u otras partes de su edificio o su hogar.



No uses clavos

Los paneles se montan en las paredes únicamente con sellador de silicona 100% transparente. . NO se recomienda utilizar silicona 100% marca GE. No utilice nunca martillos, clavos o tornillos. Pueden afectar la integridad de este producto. Pueden perforar los sistemas de paredes y paneles, causando daños por agua u otros daños a pisos, tuberías, paredes u otras partes de su edificio o casa.



Inspeccione antes de cortar

Asegúrese de que no haya cableado eléctrico o plomería antes de cortar una pared para instalar accesorios.



Condiciones de la pared

Inspeccione las paredes antes de instalar los paneles. Nunca instale paneles sobre paredes húmedas o sobre una condición de moho existente.

⚠ ATENCIÓN

PRECAUCIÓN: Indica una situación potencialmente peligrosa que, si no se evita, podría resultar en lesiones personales.



Utilice métodos de instalación adecuados

Siga todas las instrucciones para preparar la superficie de la pared. Si no sigue estas instrucciones, los paneles podrían desprenderse de la superficie de la pared después de la instalación, lo que podría provocar lesiones personales. El no seguir estas instrucciones puede resultar en daños por agua.

Riesgo de levantamiento



Para evitar lesiones, use dos personas para mover cajas que pesen más de 51 libras. **La caja que contiene los paneles de pared puede pesar hasta 120 libras.** Utilice los dispositivos de elevación adecuados para mover la carga. Utilice siempre dos personas para levantar cajas pesadas o voluminosas. NO intente levantar cosas que sean demasiado pesadas.

CUANDO LLEVA UNA CARGA PESADA - ¡OBTENGA AYUDA!



Riesgo de resbalar

No instale este producto en presencia de agua. Si instala este producto sin secar todas las superficies o en presencia de agua, puede resbalar y caer debido a pisos mojados o líquidos derramados. Las lesiones personales pueden resultar de resbalones o caídas. Antes de la instalación, seque todas las superficies, incluido el piso, con un trapo o una toalla de papel. Limpie el agua o el líquido derramado inmediatamente.



Riesgo de tropezar

Pueden producirse lesiones por tropezar con cables de alimentación, herramientas u otros objetos. NO deje ningún objeto en el área de trabajo.



Protección personal

Asegúrese de utilizar todo el equipo de protección personal, como botas de trabajo resistentes, preferiblemente con puntas de acero, guantes y un casco, si es necesario, para garantizar su propia seguridad. Para evitar posibles daños en la audición, utilice siempre protección auditiva, como orejeras o tapones para los oídos, cuando trabaje cerca de herramientas eléctricas.



Riesgo de corte

La instalación del producto puede requerir el uso de herramientas eléctricas. Mantenga sus manos alejadas del filo de cualquier herramienta utilizada en la instalación de nuestro producto. Poner los dedos dentro o alrededor de las hojas de corte puede causar lesiones graves.



Riesgo de borde afilado

Después de cortar el borde de un panel, puede quedar afilado. Use guantes protectores para evitar lesiones.



Temperatura ambiente

Deje que los paneles se ajusten a la temperatura ambiente durante al menos seis horas antes de la instalación y consulte las instrucciones del fabricante del sellador de silicona 100% para el almacenamiento y la preparación de la superficie. Los paneles deben instalarse a temperaturas de al menos 18.3 °C. Los paneles no deben instalarse en áreas donde la temperatura puede descender por debajo del punto de congelación. No seguir esta recomendación podría afectar negativamente a los selladores de silicona que sujetan los paneles a la pared. Si los paneles no están pegados correctamente a las paredes, pueden caerse y lastimar a alguien dentro o alrededor de la ducha.



Barras de apoyo

Recomendamos que los compartimentos de ducha estén equipados con barras de apoyo que cumplan con la última edición de ANSI-A117.1. Las barras de apoyo deben anclarse al soporte estructural (montantes de la pared) detrás de los paneles. ¡No confíe solo en los paneles para el soporte de la barra de apoyo!

! ATENCIÓN

ADVERTENCIA: Indica una situación potencialmente peligrosa que, si no se evita, podría provocar lesiones graves o la muerte.



Protección para los ojos

Asegúrese de utilizar todo el equipo de protección personal para garantizar su propia seguridad. Para evitar lesiones en los ojos, utilice siempre protección ocular con protectores laterales cuando utilice herramientas eléctricas. Además, asegúrese de que nadie más pueda resultar herido por partículas voladoras cuando utilice herramientas eléctricas.



Peligro de incendio

Las lesiones personales o la muerte pueden resultar de un incendio causado por líquidos inflamables o selladores de silicona. Los limpiadores o disolventes pueden ser muy explosivos y causar lesiones personales o incluso la muerte si no se utilizan correctamente. Limpiar cualquier sustancia inflamable inmediatamente. Las chispas o las llamas abiertas pueden encender sustancias inflamables. NO FUME cuando trabaje sobre o cerca de una sustancia inflamable.



Riesgo de disolventes

Siga todas las instrucciones de seguridad del fabricante para los selladores de silicona y el alcohol desnaturalizado. Los vapores de alcohol son inflamables y peligrosos para respirar. Los vapores de silicona pueden irritar los ojos y la nariz. Las lesiones pueden resultar de la manipulación o el uso inadecuado de productos, como el alcohol desnaturalizado. Siga siempre las recomendaciones del fabricante para el uso seguro de estos productos. Ventile cualquier área de trabajo antes de comenzar a aplicar selladores de silicona, agentes limpiadores o solventes.



Riesgo de humo

Los vapores de silicona y solventes usados por el instalador pueden ser dañinos si se usan en una habitación sin ventilación. Trabaje siempre en un área bien ventilada. Para mantener el área bien ventilada, abra las ventanas y use extractores de aire. Si la ventilación adecuada no es posible o práctica, use equipo de protección respiratoria.



Riesgo de polvo

Al cortar o perforar el producto, use un método de eliminación de polvo que evite que las partículas de polvo ingresen al aire. Trabaje siempre en un área bien ventilada. Utilice siempre una máscara antipolvo aprobada por la agencia gubernamental de salud y seguridad al cortar, taladrar o lijar productos MAAX.



Riesgo asociado con herramientas eléctricas

Para evitar lesiones personales o la posible muerte, siga siempre las recomendaciones de seguridad eléctrica del fabricante de la herramienta eléctrica. No utilice herramientas eléctricas de forma insegura. Las herramientas eléctricas solo deben conectarse a un circuito protegido por un interruptor de circuito de falla a tierra (GFI).



Riesgo de shock

Nunca use herramientas eléctricas cerca de agua, condensación u otros líquidos. Las descargas eléctricas pueden provocar quemaduras graves, lesiones graves e incluso la muerte. Si se requiere un cable de extensión, utilice siempre un cable de extensión aprobado por la agencia gubernamental de salud y seguridad. Los cables de alimentación solo deben conectarse a un circuito protegido por un interruptor de circuito por falla a tierra (GFI).



Riesgo de electrocución

Tocar cables eléctricos energizados con herramientas eléctricas o manuales puede provocar lesiones graves o la muerte. Asegúrese de que todos los disyuntores asociados estén apagados. Pruebe circuitos vivos o cableado dentro de cualquier pared donde la instalación del producto MAAX requiera un corte en la pared.



Riesgo de electrocución

El agua y otros líquidos conducen la corriente eléctrica y pueden crear un cortocircuito, provocando lesiones o la muerte. Mantenga todos los líquidos alejados de cables eléctricos y herramientas eléctricas. NO cree un cortocircuito entre una fuente de electricidad y un líquido al estar en contacto con ambos simultáneamente.

Información general

Herramientas necesarias

- Sellador de silicona 100% transparente
- Sierra circular con hoja de carburo de 60 a 80 dientes
- Sierra recíproca (carrera recta de arriba a abajo) con hoja bimetálica (14 dientes por pulgada)
- Taladrar con una broca de 3/8"
- Sierra de perforación para grifo de ducha / cabezal de ducha
- Cinta métrica
- Cinta adhesiva (2" de ancho)
- Nivel
- Pistola de calafateo
- Toallas de papel o toallas limpias
- Madera de 2 x 4, según sea necesario para el refuerzo (consulte las instrucciones de refuerzo)
- Pistola de pegamento caliente de grado industrial y barras de pegamento (opcional)
- Alcohol desnaturalizado

Contenido del kit

Compruebe que se hayan incluido todas las piezas de este kit antes de comenzar la instalación.

Estos productos incluyen 2 paneles y 1 moldura de esquina:

107223/107227: Kit de pared lateral de 36 pulg.

107224/107228: Kit de pared lateral de 42 pulg.

Estos productos incluyen 1 panel y 1 moldura de esquina (combínelos con un kit de 2 paneles para una instalación en nicho):

107225/107229: Pared posterior de 62 pulg.

107226/107230: Pared posterior de 50 pulg.

Para obtener los mejores resultados, use un sellador de silicona transparente al 100% para adherir este producto a una subpared correctamente construida y preparada. Necesitará un tubo de sellador de silicona 100% transparente (del tamaño de un tubo para adaptarse a una pistola de calafateo estándar) por cada 1440 pulgadas cuadradas o 10 pies cuadrados, o de 4 a 10 tubos para una ducha promedio. Siga la recomendación de aplicación que se encuentra en la sección Instalación del panel de este manual.

NO se recomienda utilizar silicona 100% marca GE.

Desembalaje

- Tenga cuidado al abrir la caja para no dañar los paneles.
- Este producto se le envía a usted o a su centro de ventas después de una inspección cuidadosa. Después de comprar el kit, desempaque con cuidado e inspeccione el producto para detectar cualquier daño de envío que pueda haber ocurrido. Si hay algún daño, infórmelo inmediatamente a la tienda de compras. Después de la inspección y durante la instalación, proteja los productos de daños de construcción moviéndolos a otra habitación o área hasta que estén listos para instalar.
- Coloque los paneles en un área plana para evitar deformaciones hasta la instalación. No coloque los paneles fuera del embalaje original en posición vertical.
- Utilice el número de modelo que se encuentra en el costado de la caja o en el frente de este manual cuando se comunique con nosotros con preguntas sobre la instalación de este aparato.
- Asegúrese de que las paredes sean del tamaño correcto y estén en buen estado. La instalación de un producto dañado anulará la garantía.

Consejos útiles

- Lea atentamente estas instrucciones y familiarícese con las diferentes partes del kit.
- La variedad de instalaciones posibles para este kit puede requerir procedimientos distintos a los que se muestran. Asegúrese de que la construcción sea del tamaño adecuado y en escuadra.
- Guarde la caja de cartón grande para proteger el piso de la ducha durante el proceso de instalación y úsela como plantilla para cortar el panel posterior de la mampara de ducha.
- Deje que las piezas de este kit tengan tiempo suficiente para adaptarse a la temperatura ambiente. No recomendamos instalar este producto en temperaturas inferiores a 65 grados (18,3 ° C).
- Los caballetes con rieles de 2x4 o una mesa de trabajo son útiles durante el proceso de instalación.
- Transporte los paneles siempre verticalmente. Tenga cuidado al colocar los paneles planos para evitar que se doblen, especialmente cuando los paneles tienen un corte.
- Almacene los materiales no utilizados lejos del área de trabajo para evitar daños accidentales.
- Si la ducha se coloca sobre un garaje o en una pared exterior, se debe tener cuidado para asegurarse de que la ducha esté debidamente aislada de las bajas temperaturas.

Consejos de preparación

- Mida el ancho de la pared trasera (con el panel verde) instalado. Esta medida no puede exceder el ancho del panel trasero. Si la abertura de la pared es demasiado grande, se necesitarán otros métodos o dos paneles para cubrir la pared.
- Cierre el suministro de agua fría y caliente.
- Quite las manijas de los grifos, los rosetones, las boquillas de llenado y / o cualquier cosa adherida a la pared (por ejemplo, barras de toalla, jaboneras, etc.).
- Mida siempre la ubicación de los cortes de plomería desde la pared trasera hacia el frente y el borde de la base de la ducha hacia la parte superior.
- Asegúrese de que todo el trabajo eléctrico o de plomería dentro de las paredes se haya completado antes de instalar los paneles de pared.
- Prepare el área con paneles de yeso resistentes a la humedad de 1/2 pulgada (13 mm) o tablero de concreto. Nunca instale nuestros productos directamente sobre una estructura que esté o pueda estar mojada o húmeda.
- Intente ensamblar los paneles laterales antes de comenzar. Los paneles tienen un lado terminado y un lado trasero sin terminar.
- Las paredes deben ser sólidas y a escuadra dentro de 1/8" de lo real. Cuña o corta la abertura según sea necesario. Este kit ha sido diseñado con cierta adaptabilidad para problemas menores de alineación.
- La superficie de los muros debe estar libre de suciedad, películas, cera o cualquier otro residuo.
- Si está instalando un accesorio empotrado, corte el orificio después de que el panel esté instalado y completamente apoyado por la pared. Recuerde colocar el accesorio entre los montantes de la pared.

Consejos para calafatear

- Siga las instrucciones del tubo de sellador de silicona del mismo color.
- Cuando termine el trabajo, inspeccione todas las áreas enmasilladas en busca de huecos y rellene según sea necesario.
- Limpie cualquier exceso de silicona sobrante con alcohol desnaturalizado y un paño limpio.
- Tenga mucho cuidado de no alterar las juntas de masilla.

Procedimiento de instalación

Los paneles se pueden instalar en una variedad de productos. Si tiene la intención de aplicar los paneles a una superficie diferente a las descritas, consulte a un profesional. Utilice las siguientes secciones al instalar este producto en:

- Paneles de yeso o paneles de cemento resistentes a la humedad
- YESO
- CEMENTO / HORMIGÓN
- AZULEJO
- PAPEL PINTADO
- MASONITE

Paneles de yeso o paneles de cemento resistentes a la humedad

- La superficie debe estar seca, lisa y libre de polvo, residuos de jabón o cualquier otro contaminante.
- Para asegurar la adhesión adecuada del producto, la superficie de la pared debe sellarse con un sellador / imprimador a base de agua o aceite.
- Una vez que el imprimador / sellador esté completamente seco, complete la instalación siguiendo las instrucciones de este manual.

Yeso

Dependiendo de la condición de la superficie de la pared existente, es posible que se requiera silicona adicional para asegurar el contacto entre el sustrato y el panel de la pared.

- Textura de arena o acabados suaves con remolinos.
- Limpie la superficie de la pared con un paño húmedo para eliminar el polvo, los residuos de jabón u otros contaminantes. La superficie de la pared debe estar seca y lisa.
- Para asegurar la adhesión adecuada del producto, la superficie de la pared debe sellarse con un sellador / imprimador a base de agua o aceite.
- Una vez que el imprimador / sellador esté completamente seco, complete la instalación siguiendo las instrucciones de este manual.

Cemento / Concreto

Dependiendo de la condición (planitud) de la superficie de la pared existente, es posible que se requiera silicona adicional para asegurar el contacto entre el sustrato y el panel de la pared.

- Para asegurar la adhesión adecuada del producto, toda el área debe sellarse con dos capas de agua o un sellador / imprimador a base de aceite.
- Una vez que el imprimador / sellador esté completamente seco, complete la instalación siguiendo las instrucciones de este manual.

Azulejo

Dependiendo de la condición de la superficie de la pared existente, es posible que se requiera silicona adicional para asegurar el contacto entre el sustrato y el panel de la pared.

AVISO IMPORTANTE

Las baldosas de cerámica viejas, si se adhieren firmemente, no necesitan ser removidas. Se deben quitar todas las baldosas de plástico.

Procedimiento de instalación

- Quite o vuelva a colocar las baldosas cerámicas sueltas. Las baldosas viejas y las baldosas de cerámica del borde frontal deben renovarse solo por su apariencia.
- Retire todos los accesorios de baldosas adheridos a las paredes.
- Retire la fila inferior de baldosas y corte un espacio de ventilación en el sustrato.
- La superficie debe estar seca, lisa y libre de polvo, residuos de jabón o cualquier otro contaminante.
- Complete la instalación siguiendo las instrucciones de este manual.

Nota: Si está utilizando un juego de molduras, es posible que deba quitar las baldosas viejas para permitir un ajuste adecuado.

Papel pintado

- Se debe quitar todo el papel tapiz del área cubierta. Limpie la superficie de la pared para eliminar el polvo, la espuma de jabón u otros contaminantes. La superficie de la pared debe estar seca y lisa.
- Para asegurar la adhesión adecuada del producto, toda la superficie de la pared debe sellarse con dos capas de agua o un sellador / imprimador a base de aceite.
- Una vez que el imprimador / sellador esté completamente seco, complete la instalación siguiendo las instrucciones de este manual.

Masonite

- Limpie la superficie de la pared para eliminar el polvo, la espuma de jabón u otros contaminantes. La superficie de la pared debe estar seca y lisa.
- Para asegurar la adhesión adecuada del producto, la superficie de la pared debe sellarse con un sellador / imprimador a base de agua o aceite.
- Una vez que el imprimador / sellador esté completamente seco, complete la instalación siguiendo las instrucciones de este manual.

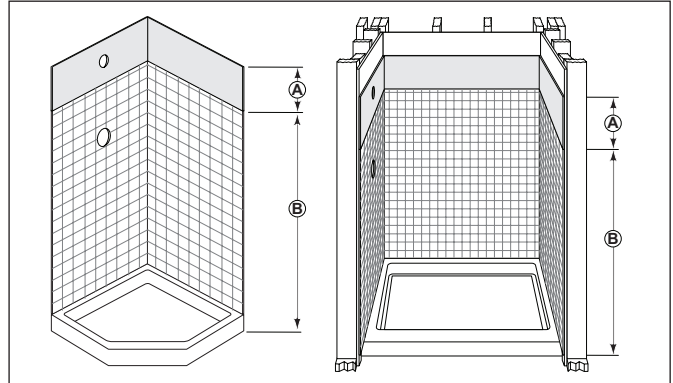
Si se siguen correctamente, estas instrucciones de instalación permitirán una instalación fácil y sin problemas de su producto. Cualquier desviación, adición y / o eliminación de la instalación prescrita, sin la aprobación previa por escrito, anulará la garantía que cubre este producto.

Advertencia

- La información de este manual de instalación se proporciona de forma gratuita. Se basa en datos técnicos que creemos que son fiables y está destinado a ser utilizado por personas con conocimiento de esta área técnica a su propia discreción y bajo su propio riesgo. MAAX no asume ninguna responsabilidad por los resultados obtenidos o los daños causados por el uso de este material, en su totalidad o en parte, por parte del comprador.
- Este manual le dará instrucciones básicas para instalar el producto en una secuencia paso a paso que funcionará en la mayoría de los tipos de instalaciones. Si tiene una aplicación de instalación que no está incluida en este manual, llame a su MAAX directamente para obtener información adicional sobre su aplicación.
- Siga todas las instrucciones de instalación. El incumplimiento de estas instrucciones puede resultar en lesiones personales, daños por agua u otros daños a pisos, tuberías, paredes u otras partes de su edificio u hogar.

Paneles de relleno

Si un revestimiento de pared existente (es decir, loseta) no se extiende a una altura igual a la altura del panel, será necesario instalar un panel de relleno a esa altura. El panel de relleno debe ser igual al espesor del revestimiento de pared existente (mosaico). Por lo general, la masonita de 1/4" o material similar es suficiente. Si lo desea, el panel de relleno puede extenderse desde el borde superior de la loseta hasta el techo.



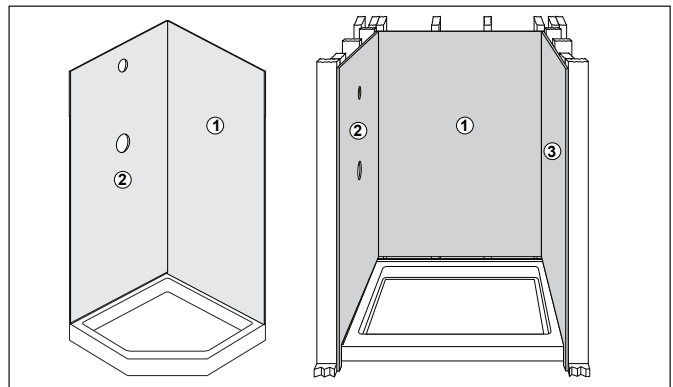
Nota: Si no utiliza un panel de relleno para instalar correctamente los paneles, podría provocar daños por agua u otros daños en los pisos, paredes u otras partes de su edificio o casa.

Instalación del panel de pared

Nota: Si los paneles de pared se van a instalar sobre una superficie de pared de ducha existente, continúe con la siguiente sección.

Instale una tabla de cemento resistente a la humedad de 1/2" o una tabla verde en las superficies de la pared trasera (1), delantera (2) y trasera (3) de la abertura sin terminar.

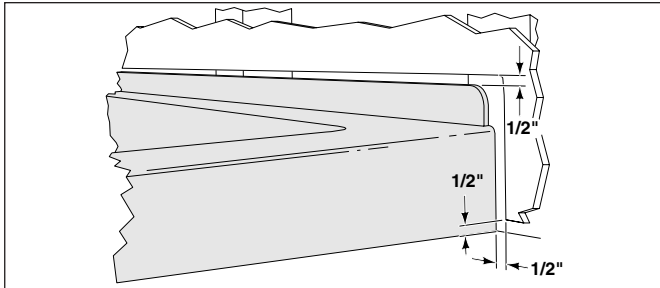
1. Mida y corte las aberturas para los grifos de la ducha y el cabezal de la ducha antes de la instalación.
2. Instale el panel de pared con un espacio de 1/2" por encima del borde lateral de la base de la ducha para evitar posibles daños por agua (absorción).



3. La tabla de cemento o la tabla verde DEBE cortarse para que encaje contra el borde frontal de la base de la ducha.

AVISO IMPORTANTE

Para una apariencia terminada, instale la pizarra verde en el borde delantero de la base de la ducha y se instalen junto al borde frontal de la base de la ducha. En este caso, deje un espacio de 1/2" entre el plato de ducha y la pizarra verde. Además, si la moldura del zócalo (no incluida) se instalará posteriormente a lo largo del piso junto a la base de la ducha, se recomienda un espacio de 1/2" entre el piso y la parte inferior del panel verde (vea la ilustración a continuación).



4. Aplique una capa de imprimador / sellador a base de agua o aceite a todas las superficies de la placa de cemento o la placa verde (siga las instrucciones del fabricante). Deje que la imprimación se seque por completo antes de instalar los paneles.

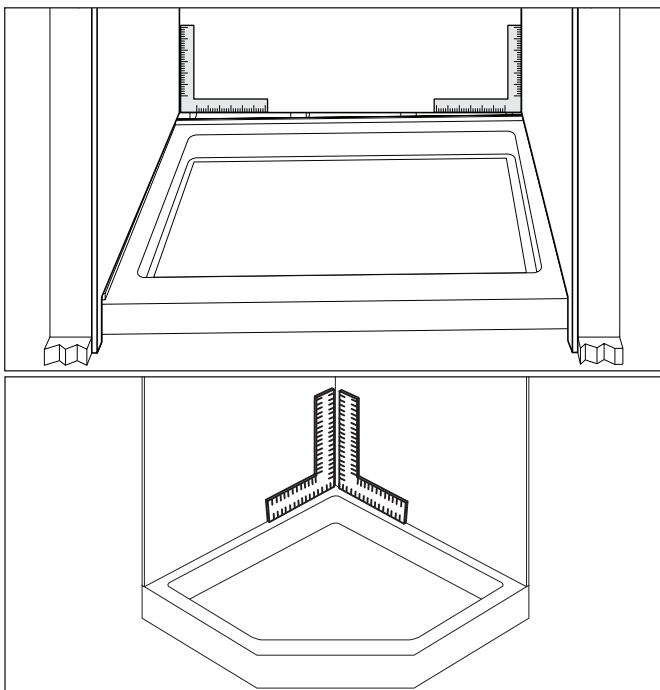
Instalación de panel

El proceso de instalación es el mismo para paneles planos o de mosaico. Siga los pasos de esta sección para obtener instrucciones de instalación.

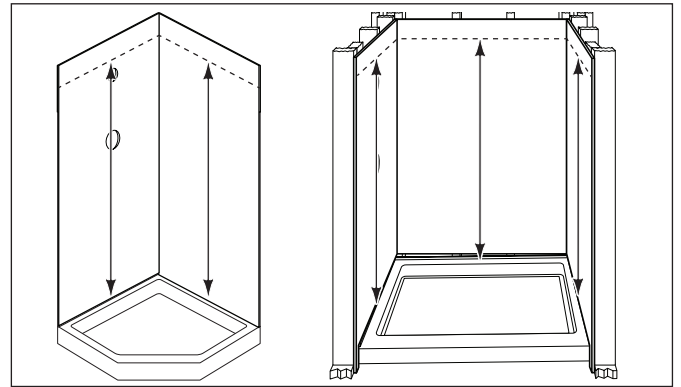
Panel posterior

Si la pared trasera es menor que el ancho del panel, corte el panel para que encaje en la abertura (solo para instalación en nicho).

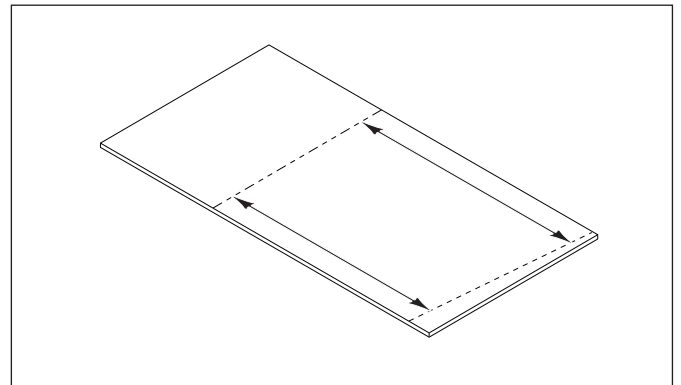
1. Con una escuadra de construcción, asegúrese de que la base de la ducha esté perpendicular a las paredes laterales. Si las paredes no son cuadradas, es posible que sea necesario recortar la parte inferior de todos los paneles para seguir el contorno de la base de la ducha.



2. Si la base de la ducha no está perpendicular a la pared, use un nivel y dibuje una línea alrededor de la alcoba en las tres paredes. Mide la distancia desde la línea hasta la parte superior de la base de la ducha.

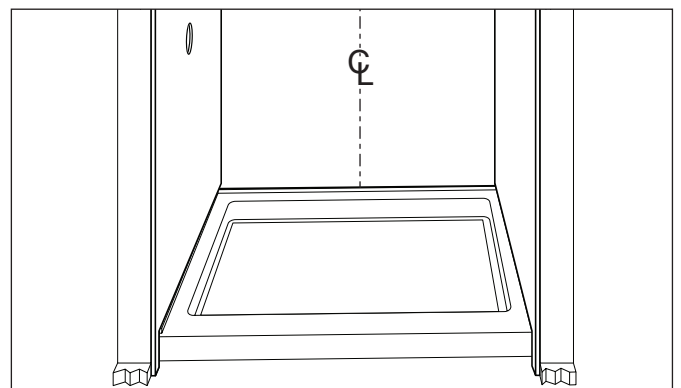


3. Transfiera estas medidas a los dos paneles laterales y al panel trasero. Recorta la parte inferior de los paneles.



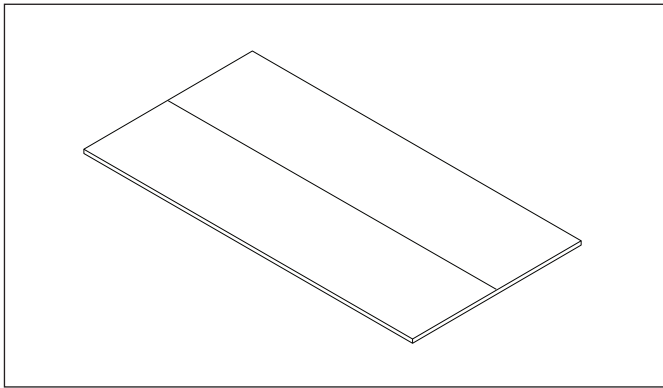
Nota: Este proceso mantendrá niveladas las líneas de lechada falsa, aunque es posible que las baldosas inferiores no sean del mismo tamaño desde la base de la ducha hasta la primera línea de lechada falsa. Dado que cada instalación es ligeramente diferente, depende del instalador crear una coincidencia de patrón que sea visualmente agradable.

4. **Solo para instalación en nicho:** Si es necesario cortar el panel trasero (de lado a lado) para que encaje en la abertura, busque y marque el centro de la pared trasera en la abertura de la alcoba. Use un nivel para dibujar una línea desde la base de la ducha hasta un punto por encima de la altura del panel de la pared.

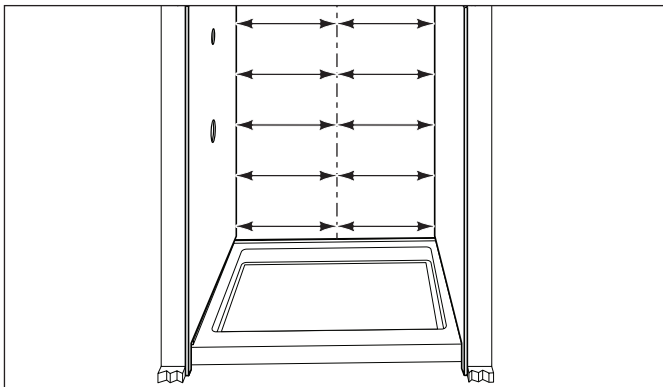


Procedimiento de instalación

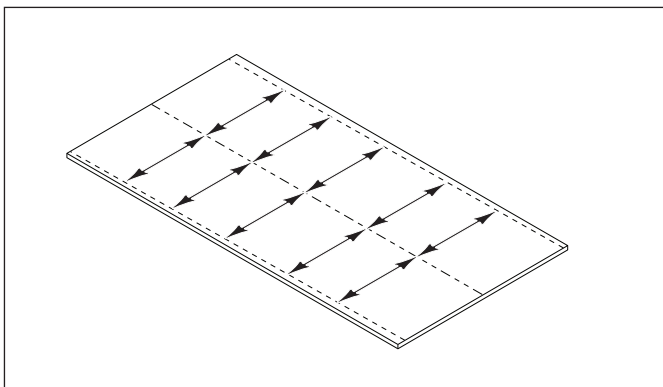
5. **Solo para instalación en nicho:** Coloque el panel, acabado boca arriba, sobre una superficie plana. Con un lápiz, marque ligeramente el centro del panel posterior.



6. **Solo para instalación en nicho:** Tome varias medidas, de abajo hacia arriba, desde la línea central hasta la superficie de cada pared. Estas medidas asegurarán que el panel trasero se ajuste al contorno exacto de ambos.



7. **Solo para instalación en nicho:** Transfiera las medidas a la superficie frontal del panel posterior.



Nota: El panel posterior se puede cortar un poco más pequeño que la abertura, ya que los paneles laterales cubrirán cualquier espacio pequeño (menos de 1/4 de pulgada).

No es necesario cortar el panel lateral para que encaje con precisión en la pared trasera si se utiliza una moldura de esquina, que se proporciona en algunos kits. Esta moldura de esquina puede cubrir algunos huecos.

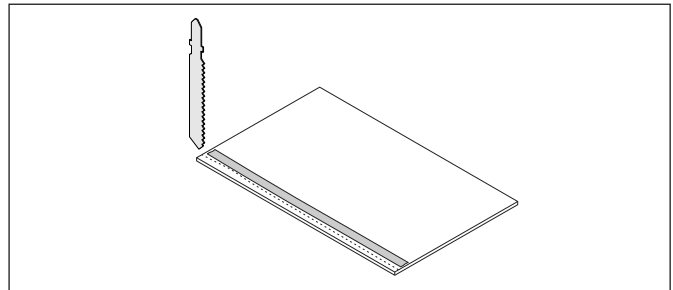
ATENCIÓN



Riesgo de polvo

Al cortar o perforar el producto, use un método de eliminación de polvo que evite que las partículas de polvo ingresen al aire. Trabaje siempre en un área bien ventilada. Para mantener el área bien ventilada, abra las ventanas y use extractores de aire. Utilice siempre una máscara antipolvo aprobada por la agencia gubernamental de salud y seguridad al cortar, taladrar o lijar los productos.

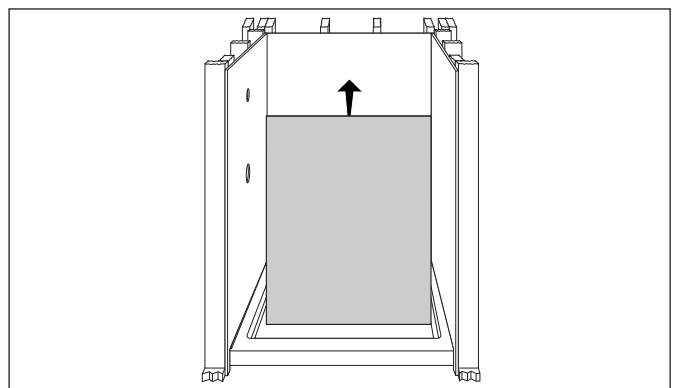
8. Coloque trozos de cinta adhesiva sobre el área donde la sierra hace contacto con la superficie terminada del panel.
9. Corte el panel con una sierra circular con una hoja de carburo de 60 a 80 dientes o una sierra de sable con una hoja bimetálica (14 dientes por pulgada).



AVISO IMPORTANTE

Cualquier recorte para accesorios debe tener esquinas redondeadas (las esquinas afiladas pueden provocar grietas por tensión).

10. **Solo para instalación en nicho:** Coloque en seco el panel posterior y realice los ajustes necesarios. Asegure temporalmente el panel posterior a la pared para que encaje correctamente en los paneles frontal y posterior.



AVISO IMPORTANTE

NO fuerce un panel para que encaje en una pared curva o curvada, ya que podría romperse; Además, la elasticidad del panel puede romper la unión de silicona con la superficie de la pared.

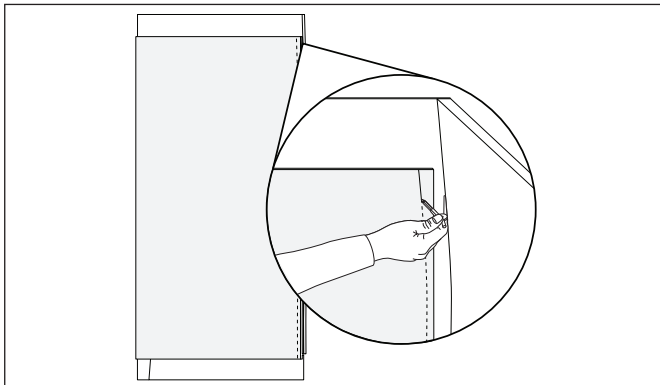
Panel lateral (con controles de ducha)

Si no es necesario cortar los paneles laterales al tamaño correcto, vaya al paso 5.

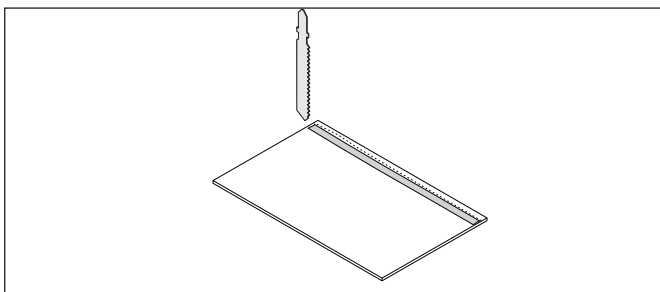
Nota: No es necesario cortar el panel lateral para que encaje con precisión en la pared trasera si se utiliza una moldura de esquina, incluida en algunos kits. Esta moldura de esquina puede cubrir algunos huecos.

1. Coloque el panel en la parte superior de la base de la ducha y deslícelo contra el panel de la pared posterior. Si el panel lateral tiene solo un borde terminado, asegúrese de que el borde terminado esté hacia afuera.
2. Delinee (marque) el panel como se muestra. Si el panel es más ancho que la pared, tenga en cuenta este ancho al dibujar el panel.

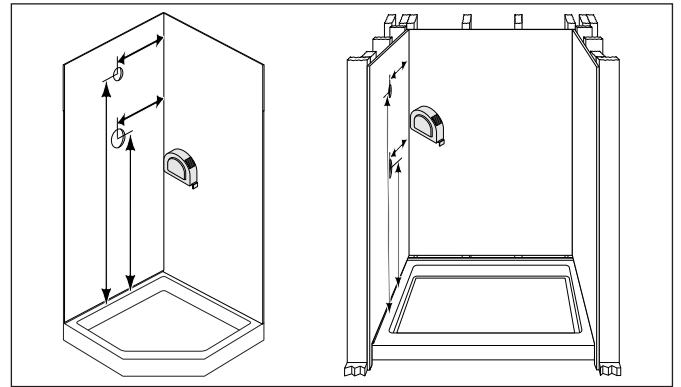
Nota: El trazado y corte precisos del panel proporcionará una esquina limpia de 90 grados sin la necesidad de molduras de esquina.



3. Coloque el panel de pared, con el lado terminado hacia arriba, sobre una superficie plana. Coloque trozos de cinta adhesiva sobre el área donde la sierra hace contacto con el panel.
4. Corte el panel con una sierra circular con una hoja de carburo de 60 a 80 dientes o una sierra de sable con una hoja bimetálica (14 dientes por pulgada).



5. Mide las aberturas para los controles de la ducha y el cabezal de la ducha.



6. Coloque el panel de pared, con el lado terminado hacia arriba, sobre una superficie plana. Transfiera las medidas al panel.

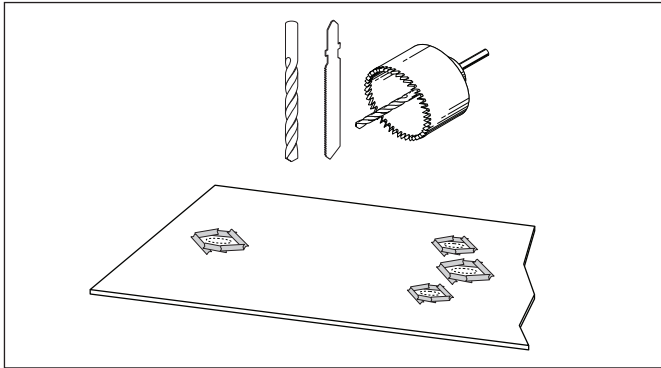


Peligro de polvo

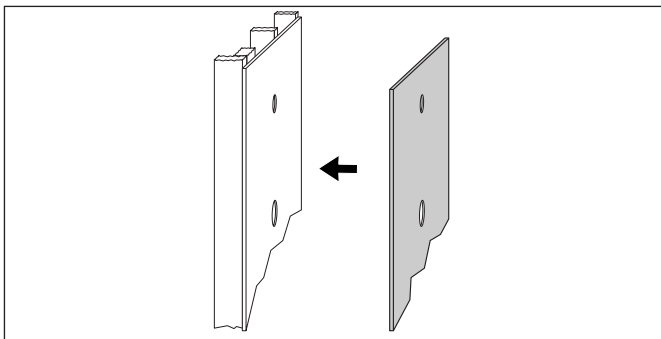
Al cortar o perforar el producto, use un método de eliminación de polvo que evite que las partículas de polvo ingresen al aire. Trabaje siempre en un área bien ventilada. Para mantener el área bien ventilada, abra las ventanas y use extractores de aire. Utilice siempre una máscara antipolvo aprobada por la agencia gubernamental de salud y seguridad al cortar, taladrar o lijar productos.

Procedimiento de instalación

7. Corte los orificios de paso con una rebajadora, una sierra de sable o una sierra de corona. Taladre o corte desde el lado terminado del panel. Para obtener mejores resultados, al perforar, coloque un trozo de madera debajo del orificio para garantizar un corte limpio.



8. Instalar en seco el panel y realice los ajustes necesarios.



Panel lateral (sin controles de ducha)

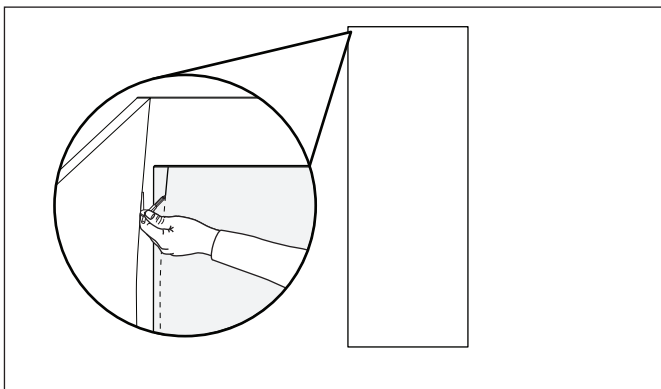
Si no es necesario cortar el panel a la medida, continúe con la siguiente sección.

Nota:

1. Coloque el panel en la parte superior de la base de la ducha y deslícelo contra el panel de la pared posterior.
2. Delinee (marque) el panel como se muestra. Si el panel es más ancho que la pared, tenga en cuenta este ancho al dibujar el panel.

Nota:

El trazado y corte precisos del panel proporcionará una esquina limpia de 90 grados sin la necesidad de molduras de esquina.



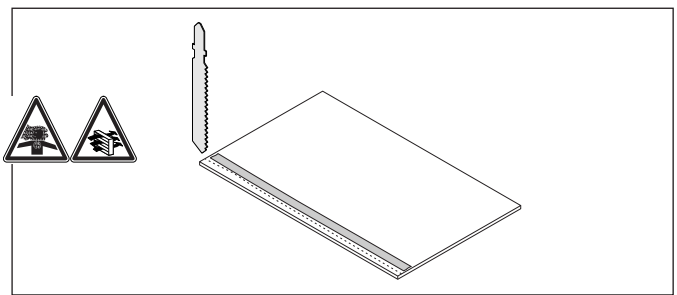
3. Coloque el panel de pared, con el lado terminado hacia arriba, sobre una superficie plana. Coloque trozos de cinta adhesiva sobre el área donde la sierra hace contacto con el panel.

! ATENCIÓN

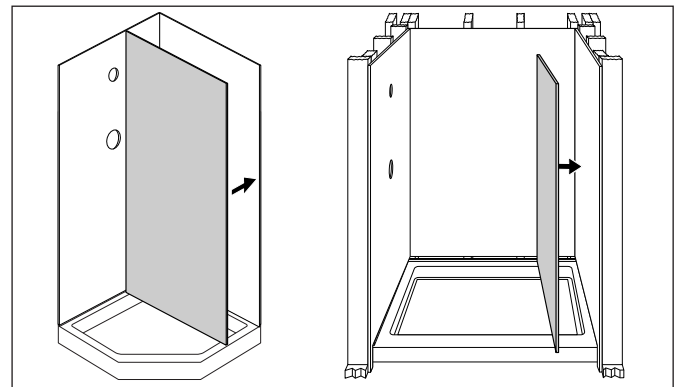
Riesgo de polvo

Al cortar o perforar el producto, use un método de eliminación de polvo que evite que las partículas de polvo ingresen al aire. Trabaje siempre en un área bien ventilada. Para mantener el área bien ventilada, abra las ventanas y use extractores de aire. Utilice siempre una máscara antipolvo aprobada por la agencia gubernamental de salud y seguridad al cortar, taladrar o lijar productos.

4. Corte el panel con una sierra circular con una hoja de carburo de 60 a 80 dientes o una sierra de sable con una hoja bimetálica (14 dientes por pulgada).



5. Instalar en seco el panel y realice los ajustes necesarios.



Instalación del panel

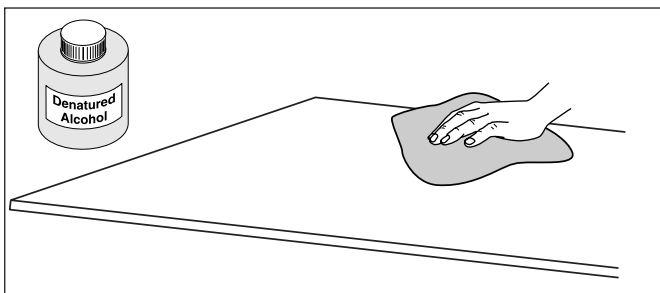
⚠ ATENCIÓN



Riesgo de humo

Los vapores de silicona y solventes usados por el instalador pueden ser dañinos si se usan en una habitación sin ventilación. Trabaje siempre en un área bien ventilada. Para mantener el área bien ventilada, abra las ventanas y use extractores de aire. Si la ventilación adecuada no es posible o práctica, use equipo de protección respiratoria.

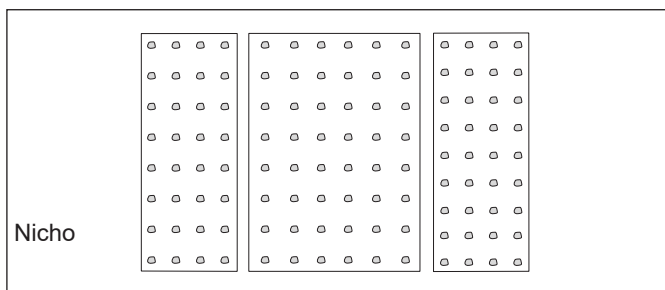
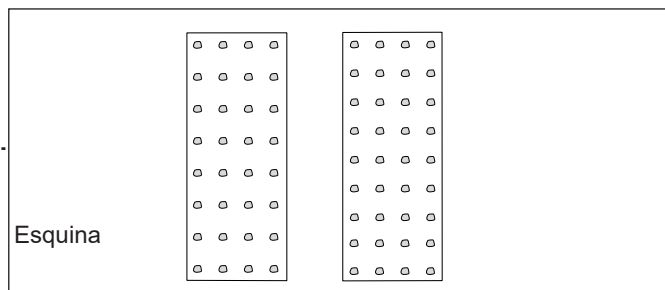
1. Limpie la parte posterior de cada panel con alcohol desnaturalizado u otro solvente de limpieza que no sea aceite.



AVISO IMPORTANTE

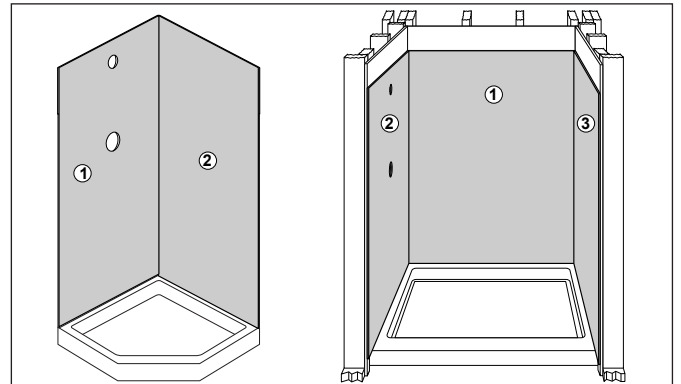
No utilice limpiadores a base de aceite, como alcoholes minerales, para limpiar los paneles. El aceite en el limpiador evitará que el panel se adhiera correctamente a la pared.

2. Aplique la silicona en puntos de 1 - 1 / 4" de diámetro cada 8 a 10 pulgadas en la superficie del panel. Siga las instrucciones del fabricante de la silicona y observe todas las precauciones de instalación y ventilación.



3. Esquina: Primero instale el panel izquierdo (1). Luego instale el panel derecho (2).

Nicho: Primero instale el panel trasero (1). Luego instale el panel izquierdo (2). Finalmente, instale el panel derecho (3).



4. Presione la superficie de cada panel firmemente contra la pared. Es importante aplicar presión manual sobre toda la superficie del panel para adherirlo a la superficie de la pared.

Procedimiento de instalación

Refuerzo temporal

Instale refuerzos temporales para mantener los tres paneles en su lugar hasta que la silicona mantenga los paneles completamente en su lugar (típicamente 24 horas).

AVISO IMPORTANTE

Para asegurar el contacto entre los paneles y las paredes hasta que la silicona se endurezca, instale refuerzos temporales después de completar la instalación. Los arriostramientos deben construirse con longitudes de 2 x 4. Si no se adhieren a los arriostramientos de la manera descrita, se pueden evitar que los paneles se adhieran y provocar lesiones personales, así como daños por agua u otros daños a los paneles, pisos, paredes u otras partes de su edificio u hogar.

AVISO IMPORTANTE

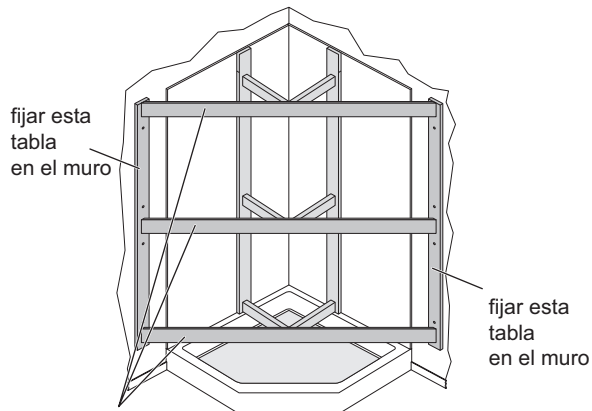
Para evitar rayones u otros daños, asegúrese de que no haya clavos u otros objetos extraños en la superficie del refuerzo colocado contra el panel.

Si los espaciadores horizontales están unidos a los espaciadores verticales con clavos o tornillos, asegúrese de que los sujetadores no penetren en la superficie del panel. Además, para evitar dañar las paredes, no aplique una presión excesiva a los espaciadores.

Instalación en esquina:

Para instalar una pared de ducha de esquina, use los refuerzos que se muestran a continuación.

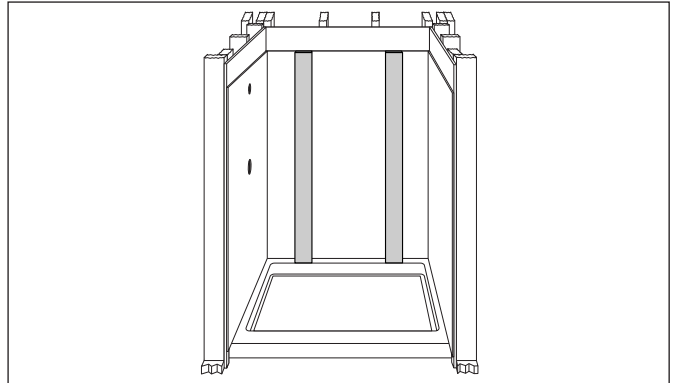
ATENCIÓN: refuerzos adicionales puede ser necesario si el panel no hace pleno contacto con el pared a la que se adhiere.



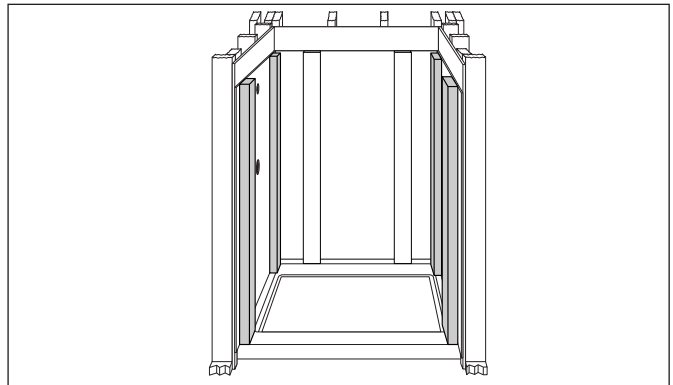
Estos tableros deben estar sujetos a dos placas periféricas

Instalación en nicho:

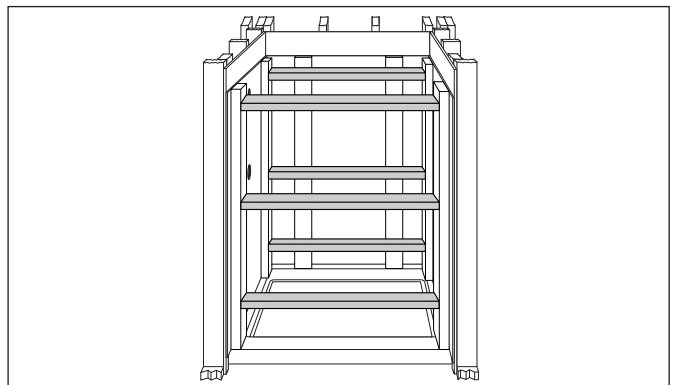
1. Coloque dos o tres espaciadores contra la pared trasera. Coloque dos tirantes en paneles de 48" o menos y tres tirantes en paneles de más de 48" de ancho.



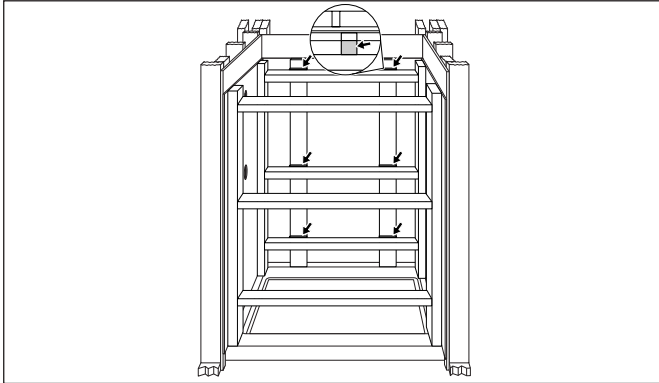
2. Coloque dos espaciadores contra cada pared izquierda y derecha.



3. Instale (cuña) tres espaciadores horizontales (seis en total) contra los espaciadores de pared izquierdo y derecho.



4. Inserte bloques pequeños entre los tirantes del panel de adelante hacia atrás y los tirantes del panel trasero. Estos aplicarán presión al panel posterior para mantenerlo en su lugar.



5. Quítense los frenillos después de 24 horas.

Procedimiento de instalación

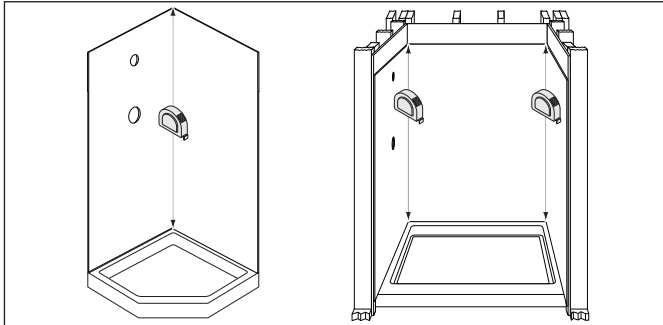
Moldura de esquina (si corresponde)

La instalación de la moldura de esquina es opcional. Si los paneles se han trazado y cortado para crear una esquina ajustada, se puede quitar la moldura de la esquina. Sin embargo, si hay espacios entre el panel frontal / posterior, se debe instalar la moldura de esquina. Cualquiera de las dos opciones, si se hace correctamente, es aceptable.

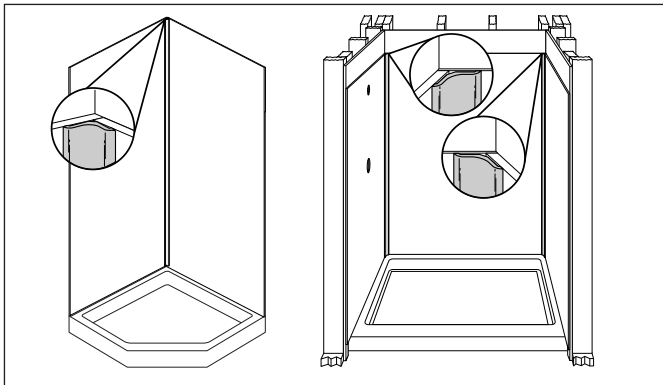
Si se instaló la jabonera opcional, corte una pieza de moldura para que quepa sobre la parte superior de la jabonera y otra para la parte inferior de la jabonera.

Nota: Se puede usar silicona transparente o del mismo color para instalar tiras de moldura de esquina.

1. Mida y corte las molduras de las esquinas al largo.



2. Coloque en seco la moldura de esquina.



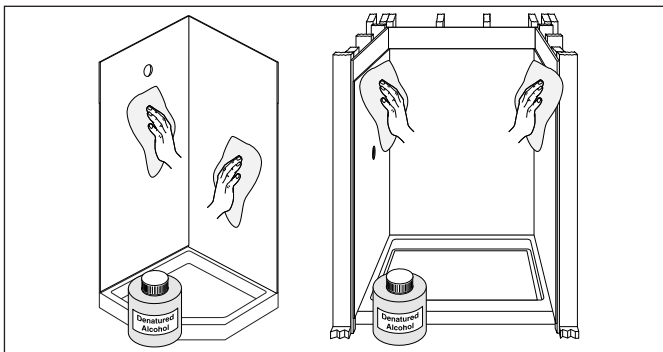
⚠ ATENCIÓN



Riesgo de humo

Los vapores de silicona y solventes usados por el instalador pueden ser dañinos si se usan en una habitación sin ventilación. Trabaje siempre en un área bien ventilada. Para mantener el área bien ventilada, abra las ventanas y use extractores de aire. Si la ventilación adecuada no es posible o práctica, use equipo de protección respiratoria.

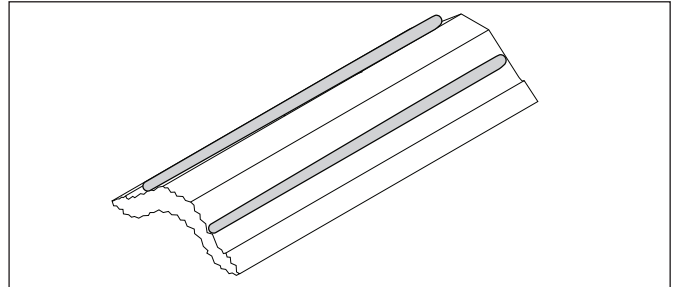
3. Limpiar la superficie de los paneles y la parte posterior de la moldura con alcohol desnaturalizado u otro solvente sin aceite.



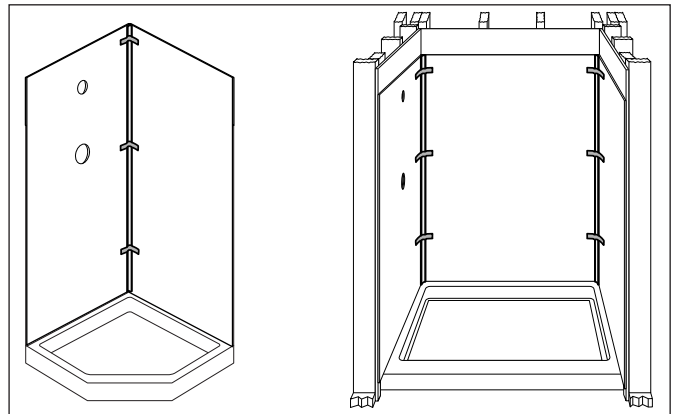
AVISO IMPORTANTE

No utilice limpiadores a base de aceite, como alcoholes minerales, para limpiar los paneles. El aceite en el limpiador evitará que el panel se adhiera correctamente a la pared.

4. Aplique dos perlas de silicona de 1/8 a 1/4" en la parte posterior de la moldura de esquina como se muestra.



5. Presione las molduras de las esquinas en su lugar. Retire cualquier exceso de silicona.
6. Coloque al menos tres pedazos de cinta adhesiva sobre cada moldura de esquina para mantenerla en su lugar hasta que la silicona se adhiera al panel de la pared.



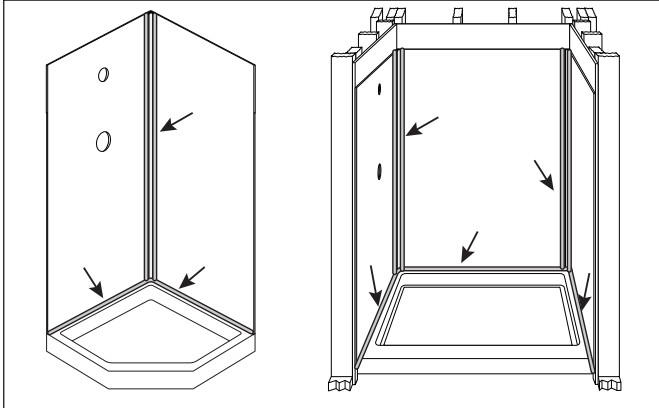
Calafateo final

Aplique una gota de sellador de silicona 100%.

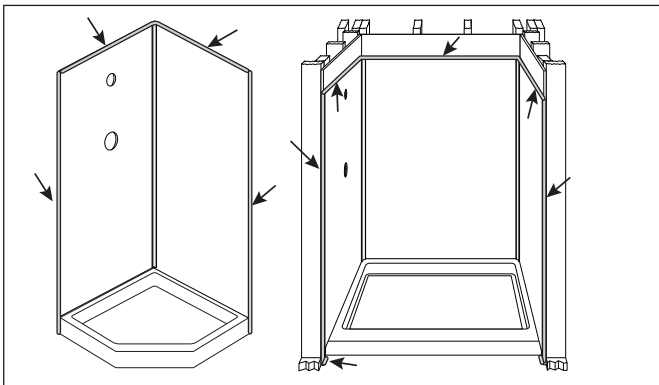
AVISO IMPORTANTE

Siga las instrucciones del fabricante en el tubo para una aplicación adecuada. Espere al menos 24 horas para que la silicona se endurezca antes de usar la cabina de ducha.

1. Aplique sellador de silicona 100% a todas las juntas interiores como se muestra.



2. También aplique un sellador de silicona 100% en los bordes exteriores como se muestra. Este sellador de silicona no se puede pintar.



La instalación está completa. **NO** tire estas instrucciones de instalación. **POR FAVOR DEJARLOS AL DUEÑO.**

Fijación de puertas y accesorios de ducha

Para otros accesorios, como puerta de ducha, estante, consulte las guías de instalación detalladas de estos productos.

Mantenimiento y limpieza

Los productos son resistentes a las manchas y la abrasión; sin embargo, el acabado requiere un cuidado razonable.

AVISO IMPORTANTE

Dado que los productos de limpieza cambian con el tiempo, siempre verifique las instrucciones del fabricante para asegurarse de que sean compatibles con el acrílico de superficie sólida o el poliéster reforzado con vidrio. **NO** use un limpiador si la etiqueta dice que no debe usarse en acrílicos de superficie sólida o poliéster reforzado con vidrio. **NO** use limpiadores en aerosol que requieran un uso diario sin un enjuague inmediato con agua para detener la reacción de limpieza química ya que se producirán daños y se anulará la garantía.

Limpieza diaria

Simplemente limpie las superficies con una toalla limpia para eliminar las marcas de agua y los residuos. Todos los productos se pueden limpiar con agua tibia, un paño suave y detergentes o limpiadores domésticos normales, como Fantastic, Formula 409, Clorox Clean-up, Handy Andy, Mr. Clean, Dow Scrubbing Bubbles, Lysol Foaming Tub and Tile Cleaner, Top Job o Lestoil. Siempre enjuague los limpiadores dentro de los cinco minutos posteriores a la aplicación.

Frotar ocasionalmente con limpiadores domésticos abrasivos asegura que se mantenga el brillo original.

Calafateo de juntas

Inspeccione las juntas de masilla mensualmente en busca de daños o signos de separación de la superficie de contacto. Las grietas en la masilla permitirán que el agua se filtre en las superficies circundantes. **Vuelva a aplicar masilla a cualquier junta que muestre signos de desgaste o agrietamiento.** No inspeccionar y reparar las juntas de masilla anulará la garantía.

LIMITED WARRANTY — UNITED STATES

MAAX Bath Inc. offers express limited warranty on each of its products. This warranty extends only to the original owner/end-user for personal household use. For commercial uses, additional limitations apply.

For accessing product Limited warranty please visit:

www.maax.com/us-warranty

LIMITED WARRANTY — CANADA

MAAX Bath Inc. offers express limited warranty on each of its products. This warranty extends only to the original owner/end-user for personal household use. For commercial uses, additional limitations apply.

For accessing product Limited warranty please visit:

www.maax.com/ca-warranty

GARANTIE LIMITÉE — CANADA

MAAX Bath Inc. offre une garantie limitée expresse sur chacun de ses produits. Cette garantie s'adresse uniquement au propriétaire/utilisateur original pour un usage personnel domestique. Des restrictions additionnelles s'appliquent aux utilisations commerciales

Pour accéder à la garantie limitée de votre produit, veuillez consulter le site :

www.maax.com/garantie

MAAX[®]

www.maax.com

Technical Services / Service technique / Servicio técnico

T. 1 877 GET-MAAX (1 877 438-6229)

F. 1 888 361-2045