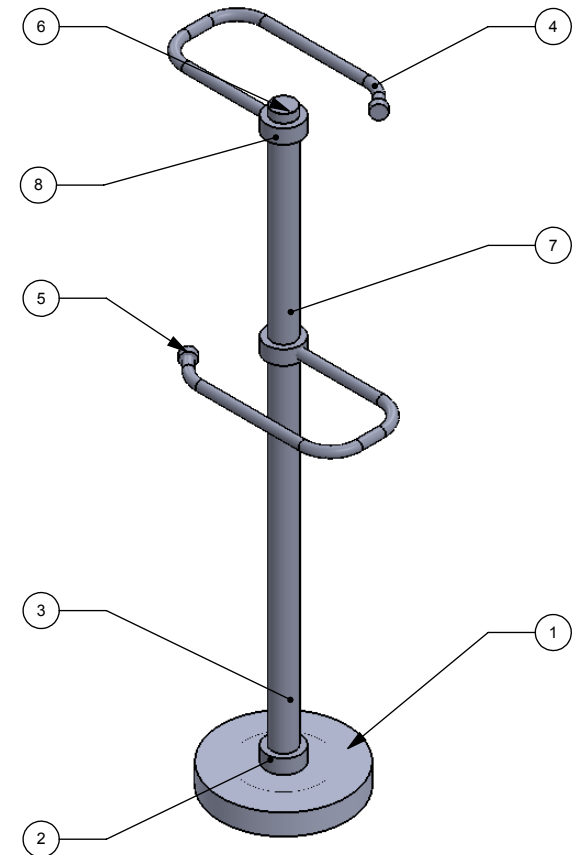


ITEM NO.	P/N	DESCRIPTION	QTY.
1	BSRD-6.5	BASE	1
2	RGSM	HUB	1
3	TU1-15	BASE TUBE	1
4	HKETS-38	Tube	4
5	CARD-58	CAP	4
6	CARD-1	END LOCK	1
7	TU1-8	TOP TUBE	1
8	RGSMT	HUB-2	2

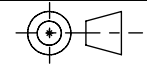


NOTE:
1. UNIT IS IN INCHES.

UNLESS OTHERWISE STATED

.X	±.3mm
.XX	±.15mm
.XXX	±.008mm

COPYRIGHT © Allied Brass 2019



THIRD ANGLE PROJECTION

DRAWN	1-8-19	I.M
CHECKED	1-8-19	P.D
APPROVED	1-8-19	R.A

MATERIAL:	BRASS	
DESCRIPTION:	Free Standing Two Roll Toilet Tissue Stand	
FINISH	TBD	
QUANTITY	TBD	
DRAWING No.	TS-26	
SCALE	1:5	SHEET: 01



REV	0
A4	