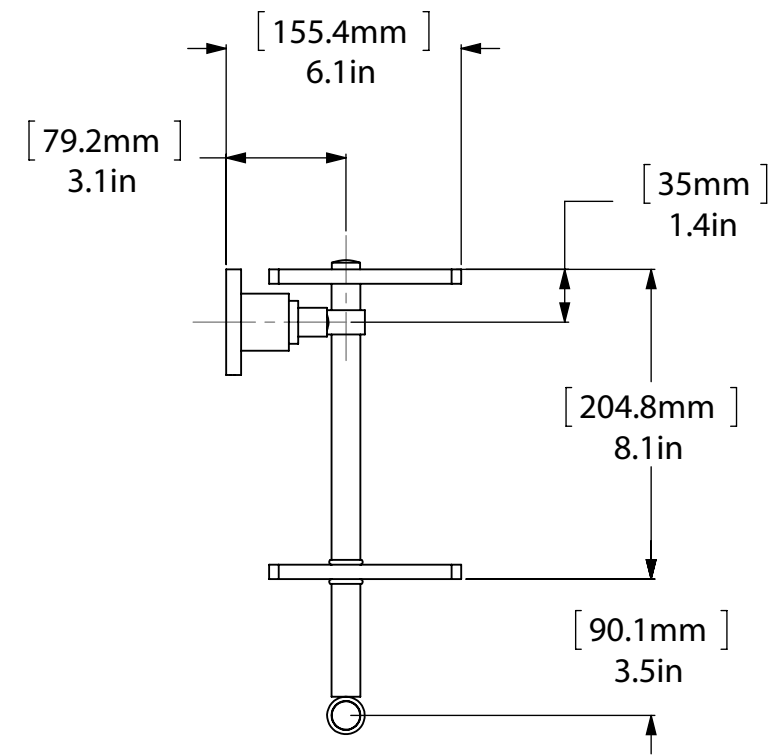
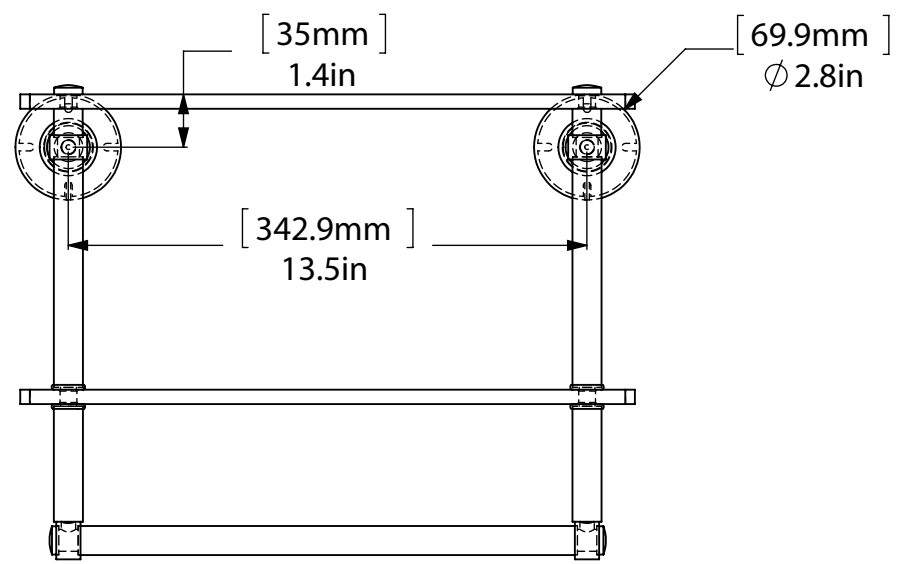
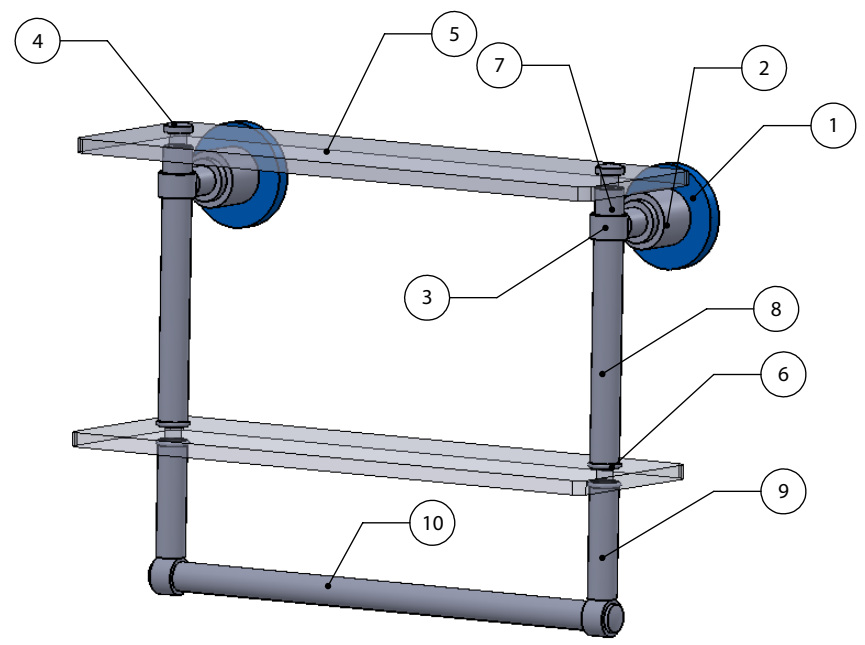


ITEM NO.	PART NUMBER	DESCRIPTION	QTY.
1	BPRD	Base	2
2	WASP	NECK	2
3	HB1T-1	Hub	4
4	CARD-34	END CAP	4
5	GLRT-16	GLASS	2
6	CRRD-34	RING	4
7	TU34-.75	SMALL TUBE	4
8	TU34-6	LEG	2
9	TU34-3	END TUBE	2
10	TU34-13	LONG TUBE	1



UNLESS OTHERWISE STATED	
.X	±.3mm
.XX	±.15mm
.XXX	±.008mm

COPYRIGHT © Allied Brass 2016

THIRD ANGLE PROJECTION

DRAWN	1-17-17	I.M	MATERIAL:	BRASS		FINISH	TBD
CHECKED	1-17-17	P.D	DESCRIPTION:		QUANTITY	TBD	
APPROVED	1-17-17	R.A	DOUBLE GLASS SHELF w/ TOWEL BAR		DRAWING No.	REV	
					WS-2TB-16		0
					SCALE	1:4	SHEET: 01
							A4