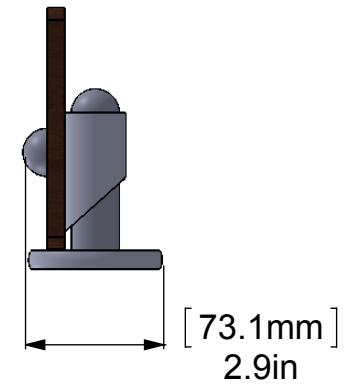
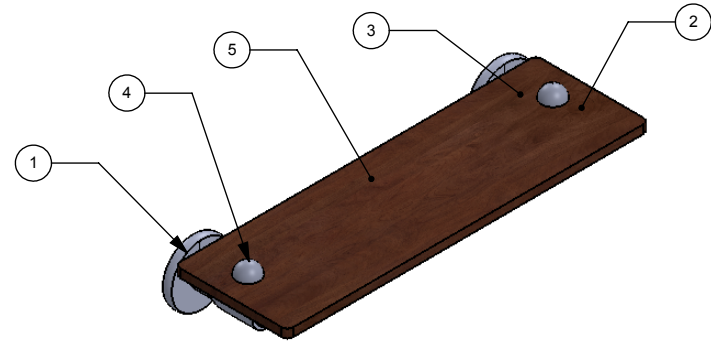


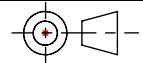
ITEM NO.	P/N	Description	QTY.
1	BPRD	BACKPLATE	2
2	BKSVT	SUPPORT POST	2
3	TU12-2	TUBE	2
4	CAHR-1	END CAP	4
5	IRWRT-16	WOOD SHELF	1



UNLESS OTHERWISE STATED

.X	±.3mm
.XX	±.15mm
.XXX	±.008mm

COPYRIGHT © Allied Brass 2016



THIRD ANGLE PROJECTION

DRAWN	1/22/2017	I.M
CHECKED	1/22/2017	P.D
APPROVED	1/22/2017	R.A

MATERIAL:	BRASS		FINISH	TBD
DESCRIPTION:	Soho Collection Solid IPE Ironwood Shelf 		QUANTITY	TBD
			DRAWING No.	REV
			SH-1-16-IRW	0
SCALE	1:4	SHEET: 01	A4	