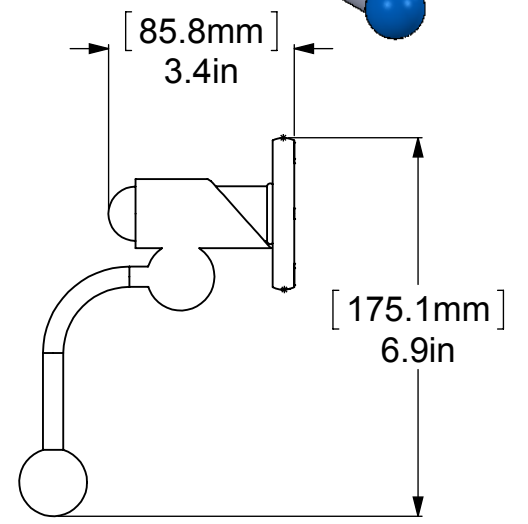
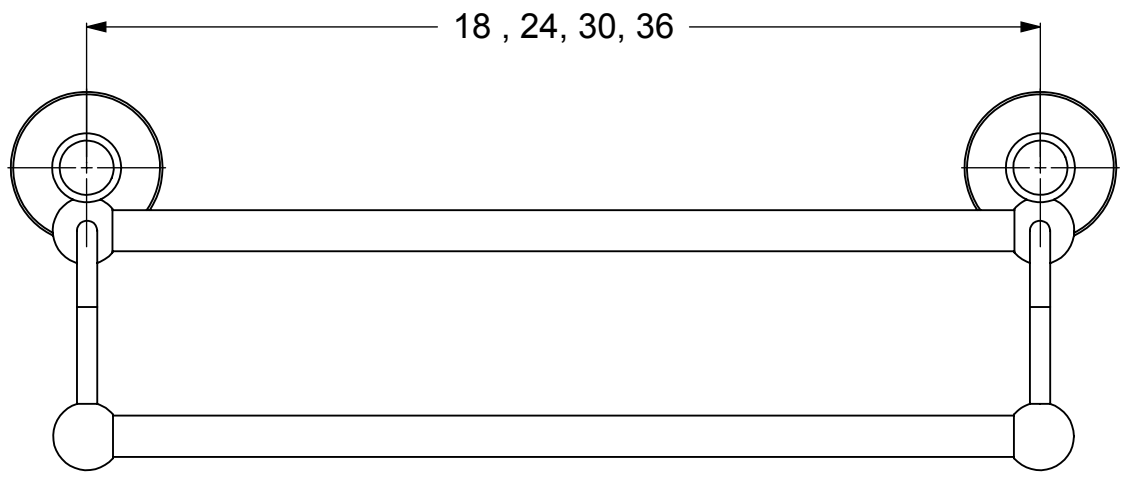
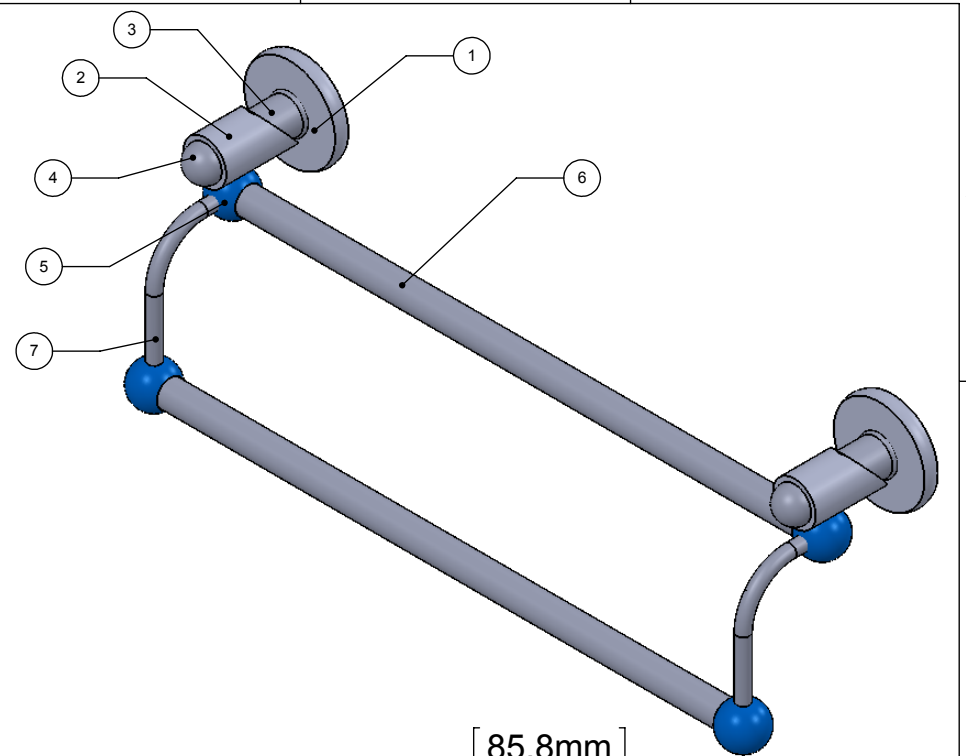


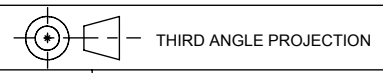
ITEM NO.	P/N	Description	QTY.
1	BPRD	BACKPLATE	2
2	BKSVT	SUPPORT	2
3	TU12-2	TUBE	2
4	CAHR-1	CAP	2
5	BL34ST-1.25	BALL HUB	2
6	TU34	BAR	2
7	HKHK	CONNECTOR	2



UNLESS OTHERWISE STATED

.X	±.3mm
.XX	±.15mm
.XXX	±.008mm

COPYRIGHT © Allied Brass 2016



DRAWN	8/4/2016	I.M
CHECKED	8/4/2016	P.D
APPROVED	8/4/2016	R.A

MATERIAL:	BRASS
DESCRIPTION:	TOWEL BAR



FINISH	TBD
QUANTITY	TBD
DRAWING No.	SH-72
REV	0
SCALE	1:3.5
SHEET: 01	A4