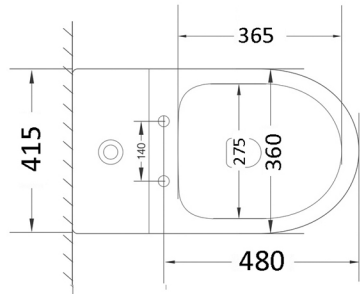
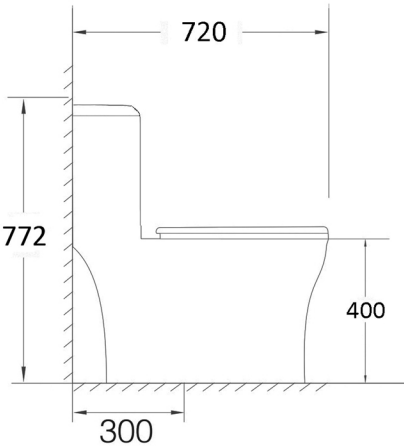


## Product Features

- Vitreous china
- 0.8/1.6gpf, High-efficiency Toilet
- High performance 2" flush valve
- Elongated bowl
- Bowl height 15.75"
- Siphon jet flush action
- Full glazed trapway
- Standard 12" Rough-in
- Bolts, bolts cap & wax ring included
- Toilet Seat included
- 100% factory flush tested

## Codes and Standards

- IAPMO/cUPC
- ASME A112.19.2-2013
- EPA WaterSense certified



\* All sizes are in mm

