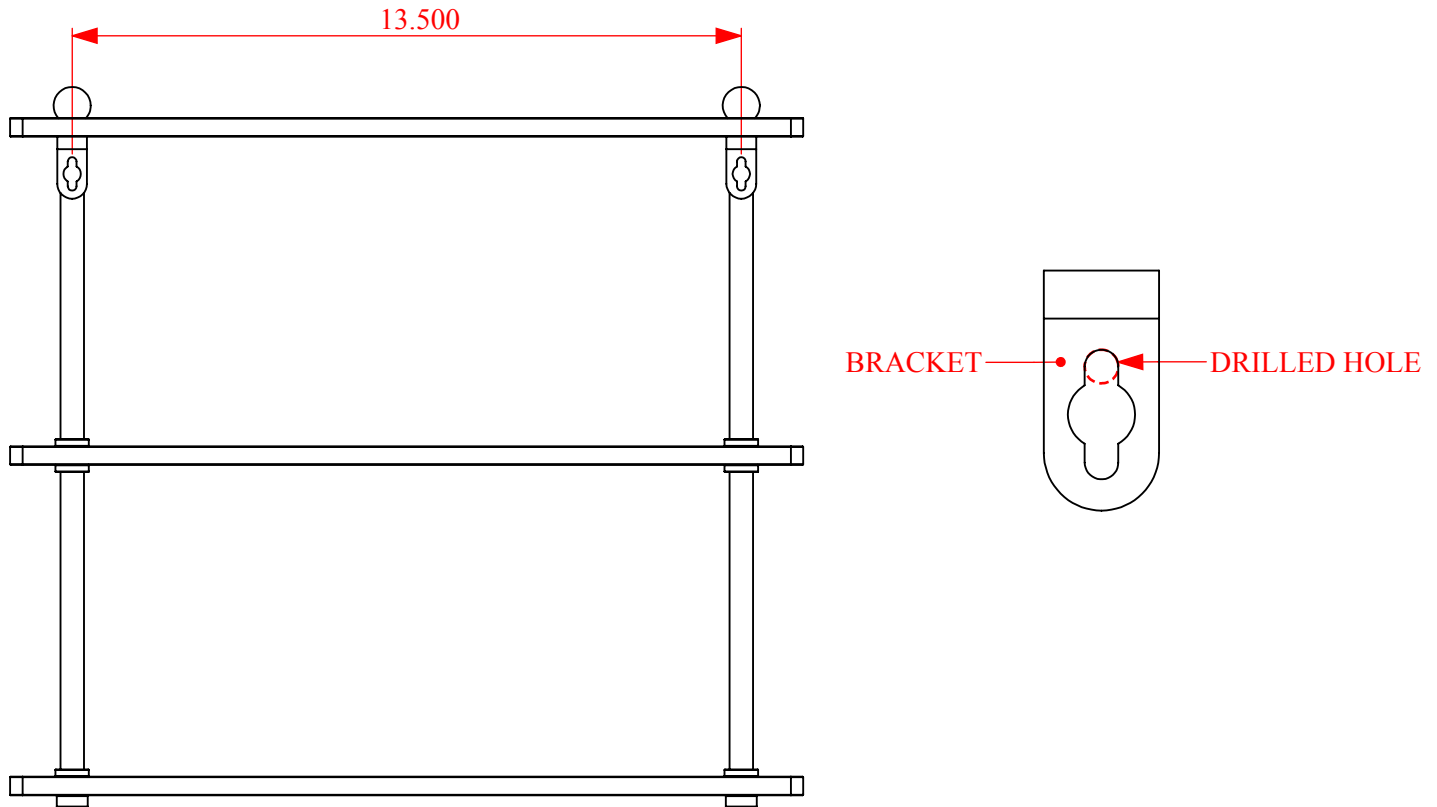


INSTALLATION INSTRUCTIONS

Step 1: Drill holes in Wall for screw anchors

Determine your desired location for installation and make a mark for the location of the mounting bracket. Make 2 marks where mounting screws will be placed as shown below. Make sure shelf is level when marking location for installation. Drill hole at each of the marks.



Step 2: Attach Shelf to Mounting Surface

Place anchors to the holes made in step 1. Fasten and Secure the shelf to mounting surface using screws as shown below.

