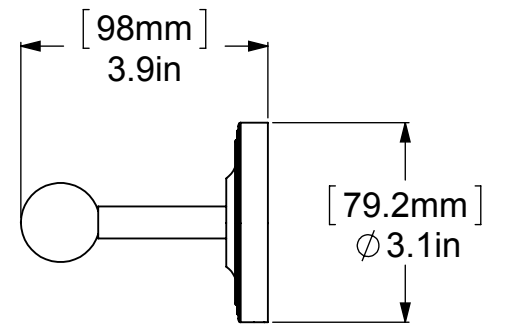
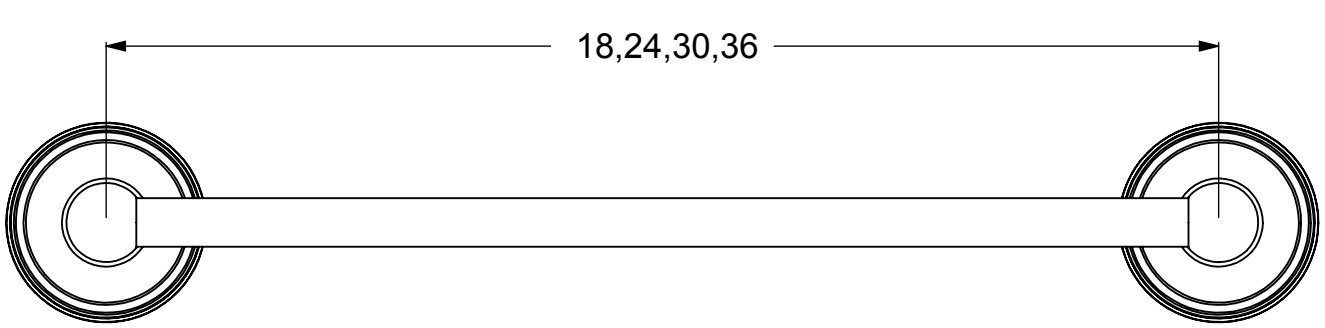
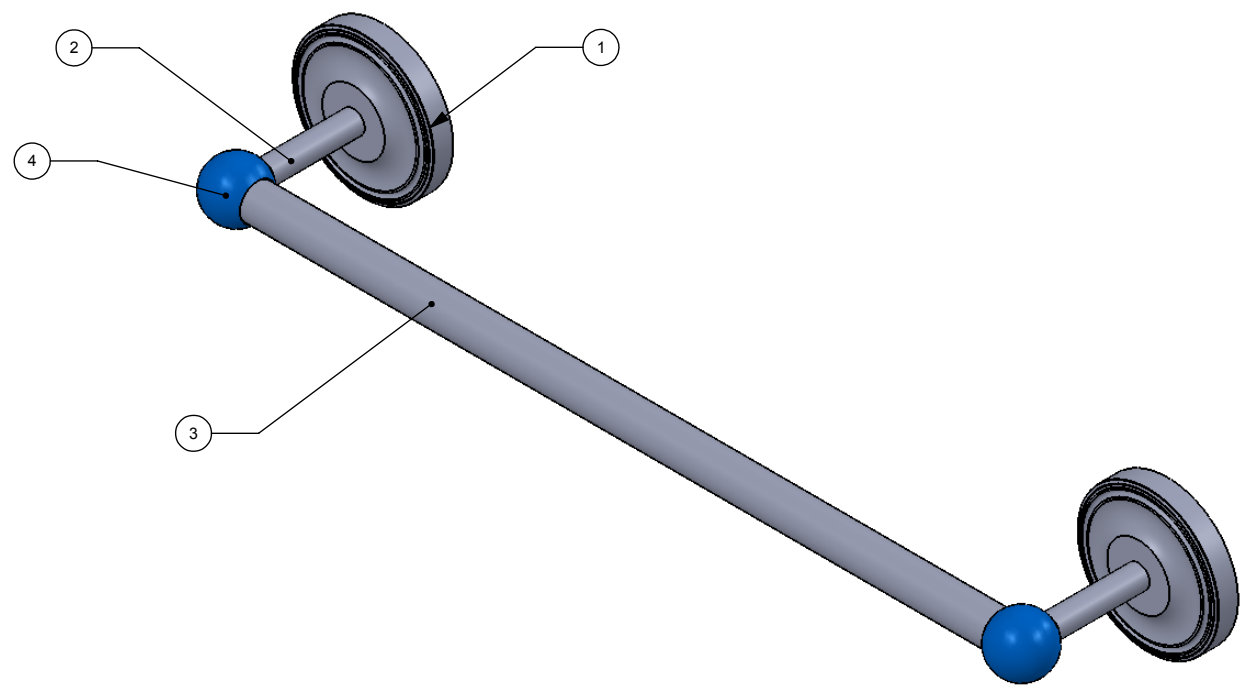


ITEM NO.	P/N	Description	QTY.
1	BPPR	BACKPLATE	2
2	TU12-2	POST	2
3	TU12-18,24,30,36	TUBE	1
4	BL34ST-1.25	TUBE HUB	2



UNLESS OTHERWISE STATED

.X	$\pm .3\text{mm}$
.XX	$\pm .15\text{mm}$
.XXX	$\pm .008\text{mm}$

COPYRIGHT © Allied Brass 2019



DRAWN	1-6-19	I.M
CHECKED	1-6-19	P.D
APPROVED	1-6-19	R.A

MATERIAL:	BRASS
DESCRIPTION:	TOWEL BAR

FINISH	TBD
QUANTITY	TBD
DRAWING No.	PR-41
REV	0
SCALE	1:3
SHEET: 01	A4