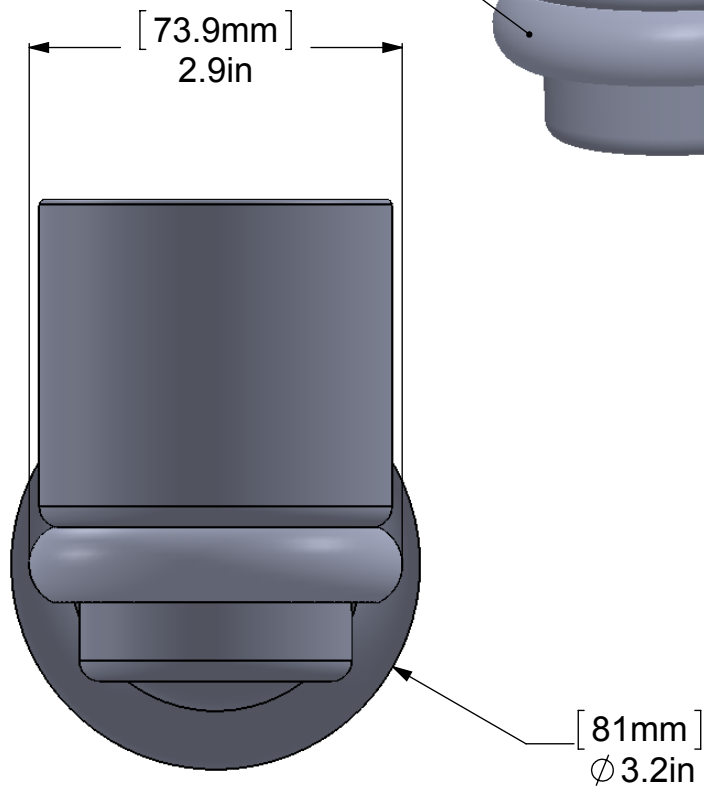
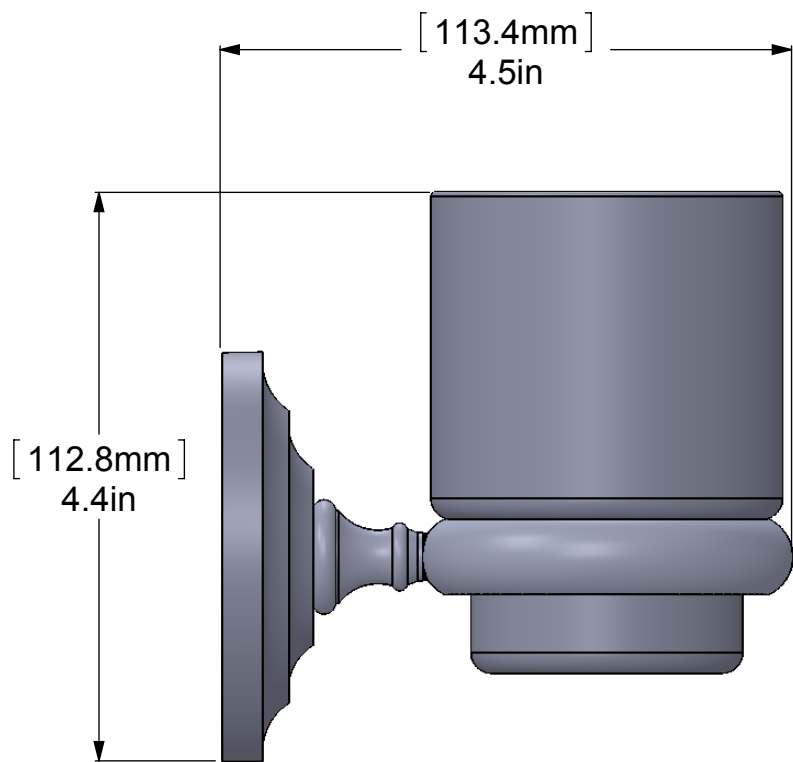
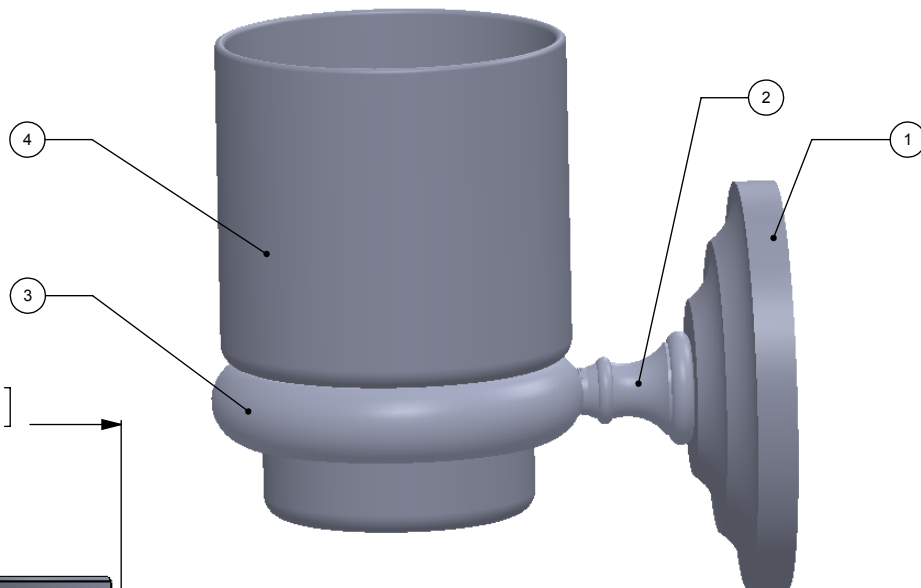


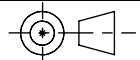
ITEM NO.	P/N	Description	QTY.
1	BPQN	BACKPLATE	1
2	HRSD	Neck	1
3	HRRD	RING	1
4	GLCU	GLASS_HLD	1



UNLESS OTHERWISE STATED

.X	±.3mm
.XX	±.15mm
.XXX	±.008mm

COPYRIGHT © Allied Brass 2016



THIRD ANGLE PROJECTION

DRAWN	4/1/2016	I.M
CHECKED	4/1/2016	P.D
APPROVED	4/1/2016	R.A

MATERIAL:	BRASS
DESCRIPTION:	Wall Mounted Tumbler Holder

FINISH	TBD
QUANTITY	TBD
DRAWING No.	PQN-66
REV	0
SCALE	1:1.5
SHEET: 01	A4