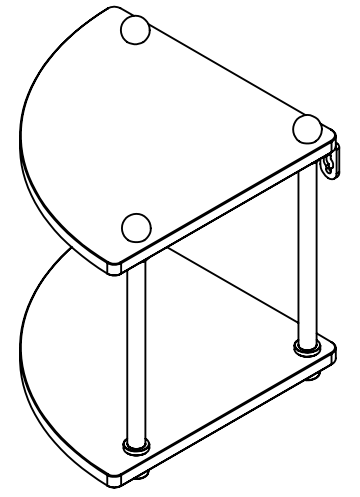
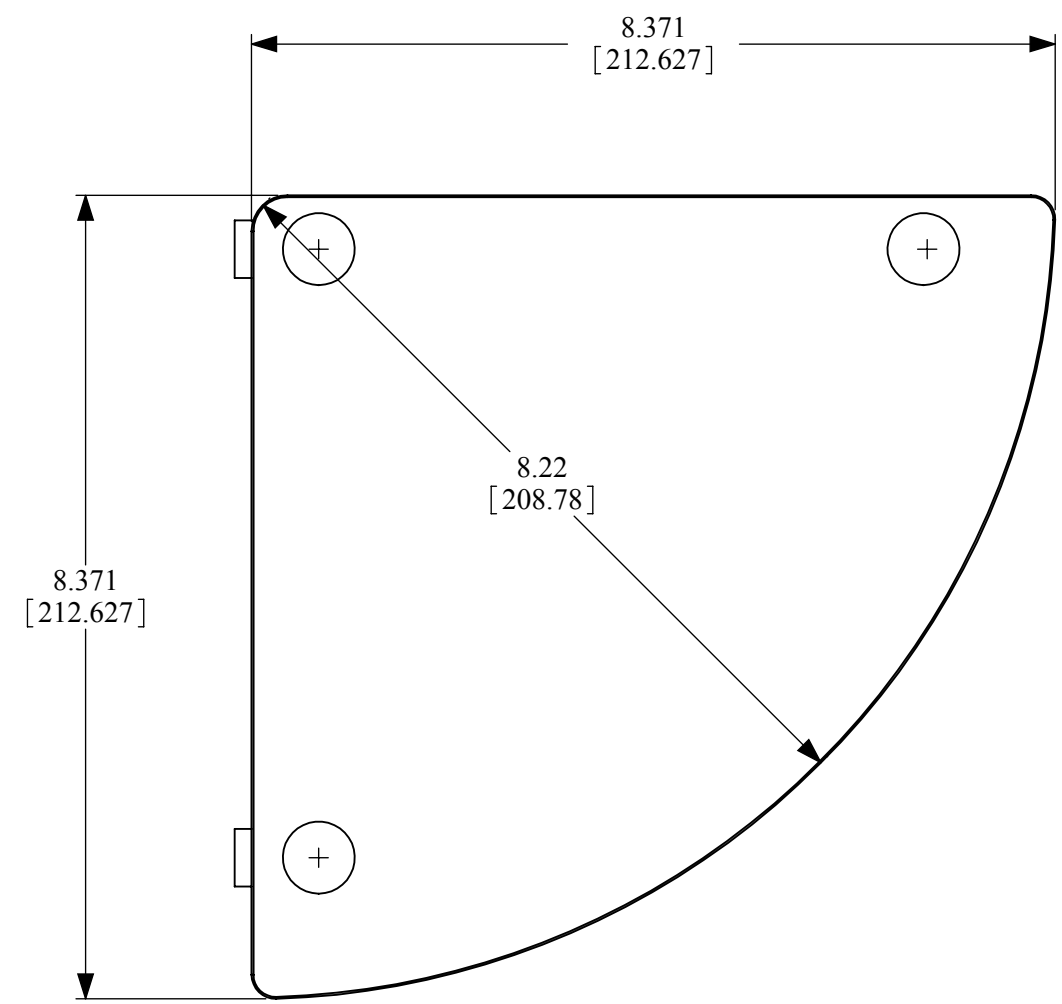
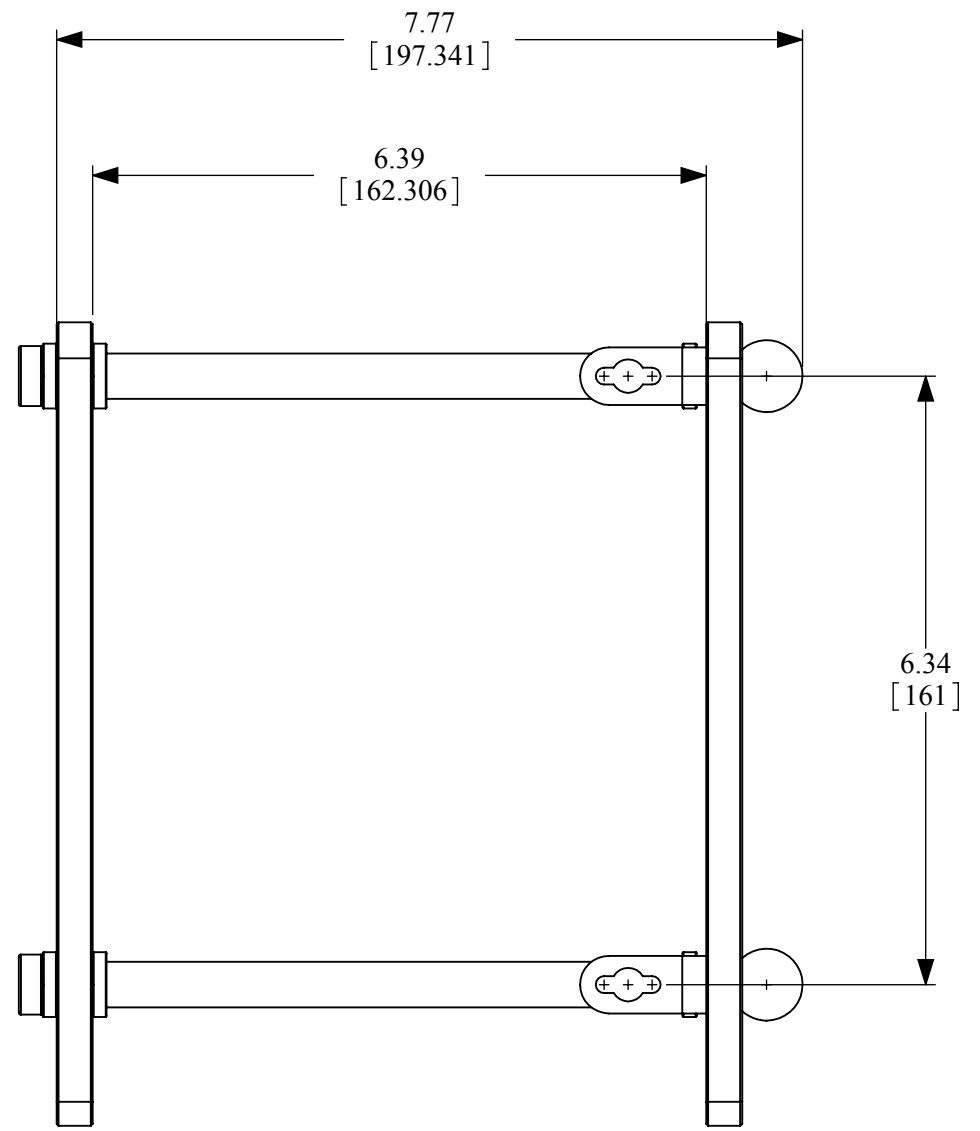



REV	CHANGES	LOC	BY	DATE
A				
B				

E
D
C
B
A

8 7 6 5 4 3 2 1



UNIT: INCH	MATERIAL: TBD		
<u>TOLERANCES</u> UNLESS OTHERWISE SPECIFIED	FINISH: TBD		
ANGULAR ±1.0°	SCALE: 1:2	<small>THIS PRINT AND THE INFORMATION CONTAINED THEREIN ARE PROPERTY OF ALLIED BRASS, INC. ARE FURNISHED TO THE HOLDER IN CONFIDENCE AND ARE NOT TO BE REPRODUCED, USED, OR DISCLOSED TO OTHERS WITHOUT THE EXPRESS WRITTEN PERMISSION OF ALLIED BRASS INCORPORATED.</small>	
DECIMAL .X ±.01	SHEET: 1 OF 1		
DECIMAL .XX ±.001	DRAWN BY: MAYORGA, IVAN	DATE: 10-29-10	PART NAME: PR-3 ASSEMBLY
DECIMAL .XXX ±.0001	APPROVED BY: ANDRES, ROBERT	DATE: 10-29-10	PART NUMBER: 0000
COMMERCIAL TOLERANCES SHALL APPLY ON BAR ROD, WIRE, SHEET, ETC.			REV