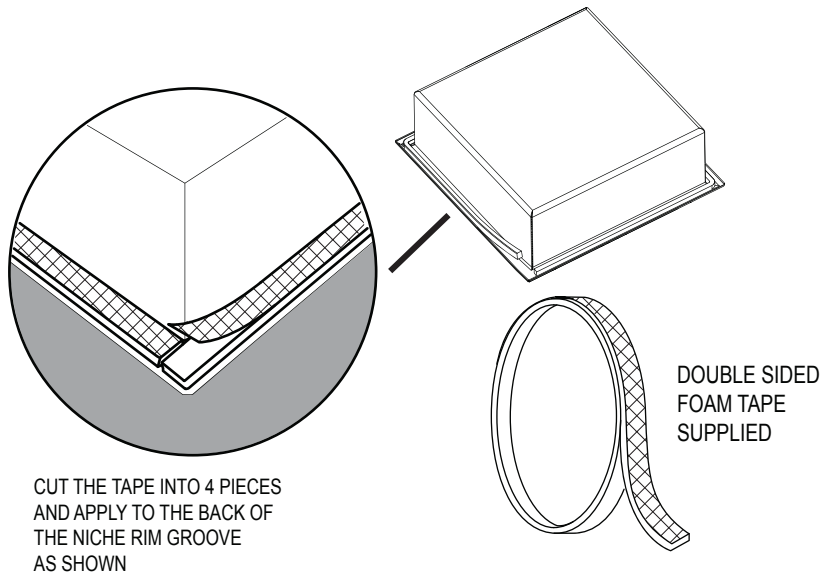
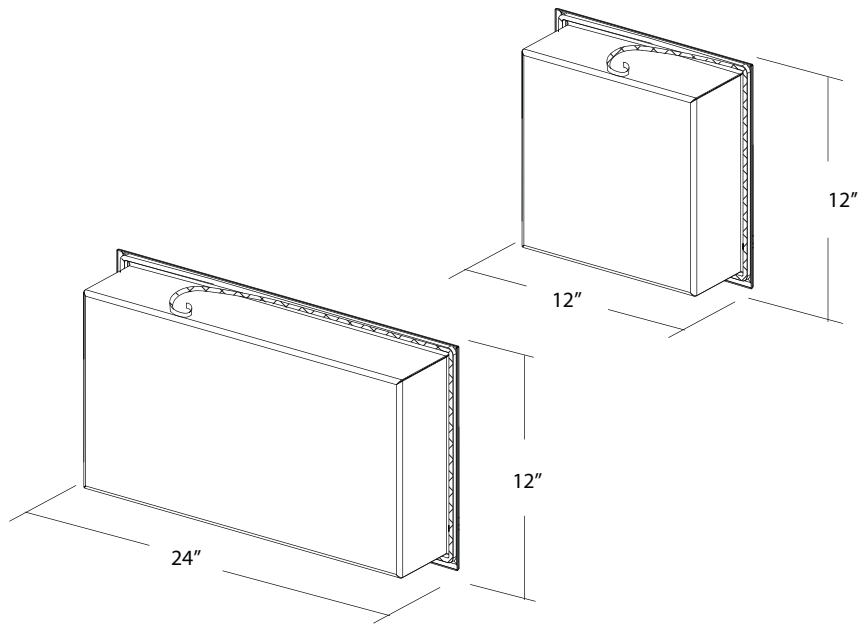


STEP 1

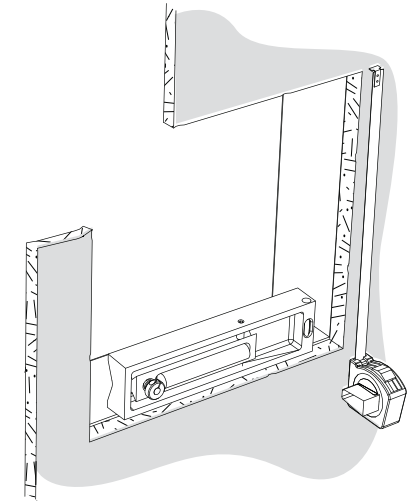
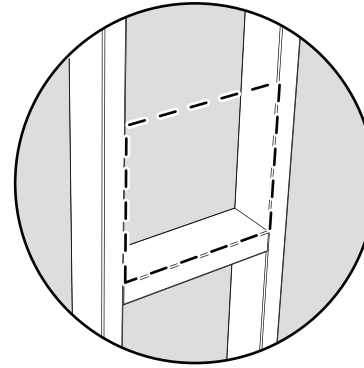


STEP 2



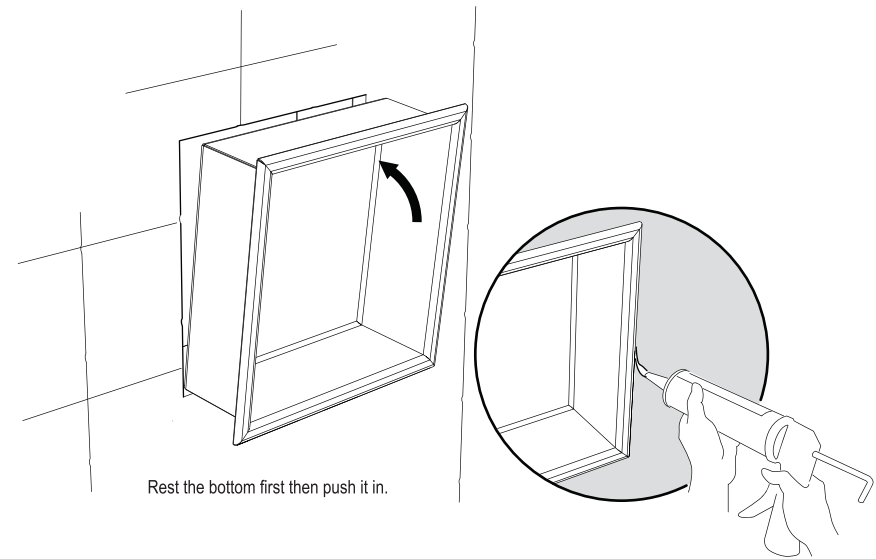
STEP 3

* Boxing the hole with stud recommended
for maximum support as shown below



* MUST refer to the specification when cutting the hole.

STEP 4



Apply silicone caulking all around the edge