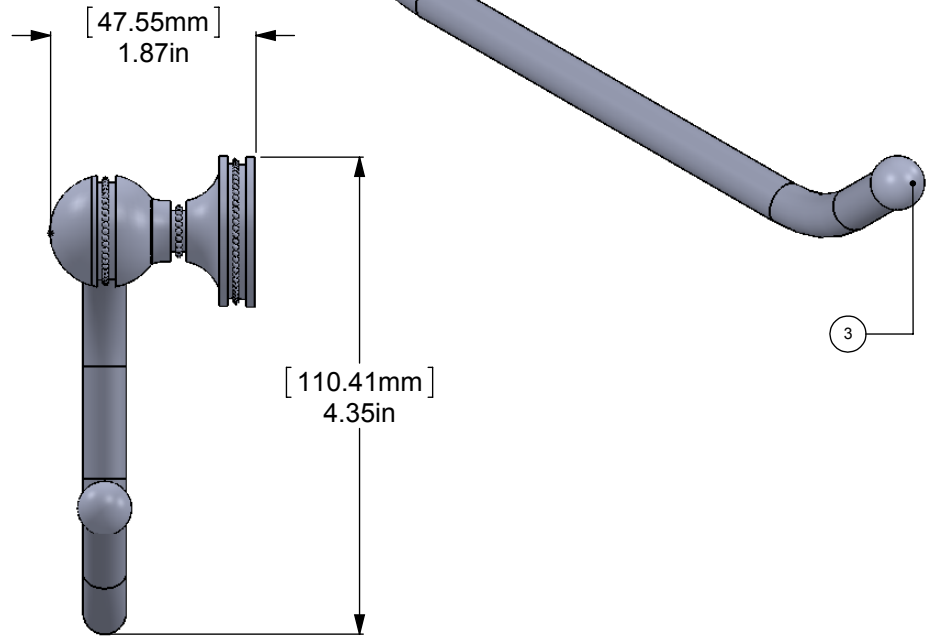
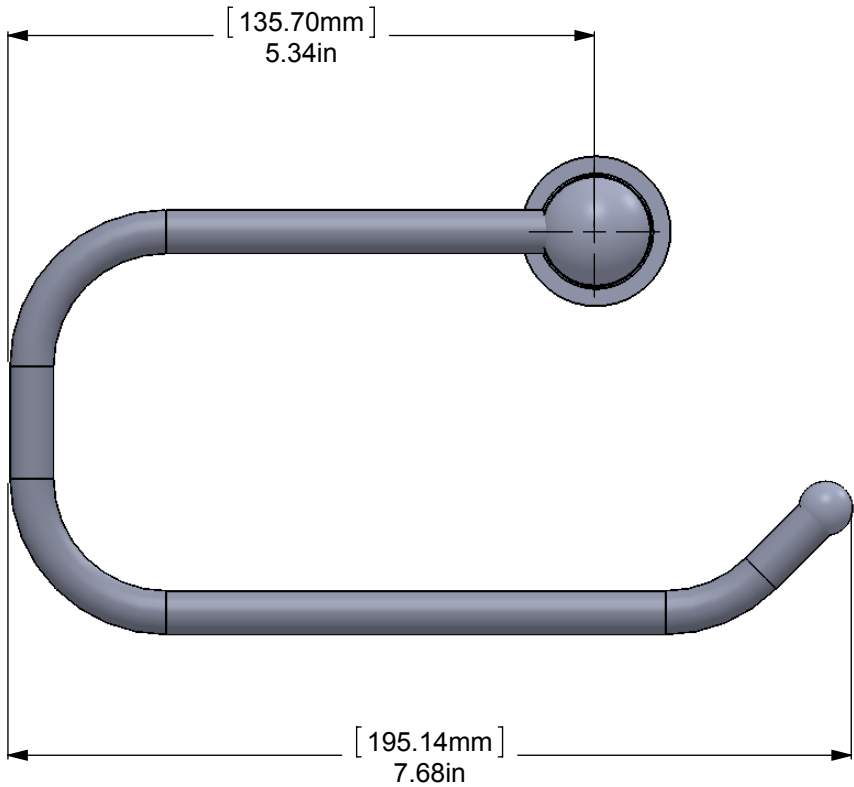


ITEM NO.	P/N	DESCRIPTION	QTY.
1	PSMAR	BASE	1
2	HKETS-38	Tube	1
3	BL1T-12	BALL	1



UNLESS OTHERWISE STATED	
.X	±.3mm
.XX	±.15mm
.XXX	±.008mm

COPYRIGHT © Allied Brass 2016

THIRD ANGLE PROJECTION

DRAWN	2-10-2016	I.M	MATERIAL:	BRASS		FINISH	TBD
CHECKED	2-10-2016	P.D	DESCRIPTION:		QUANTITY	TBD	
APPROVED	2-10-2016	R.A	TISSUE HOLDER		DRAWING No.	REV	
					MA-24E	0	
				SCALE	1:2	SHEET: 01	A4