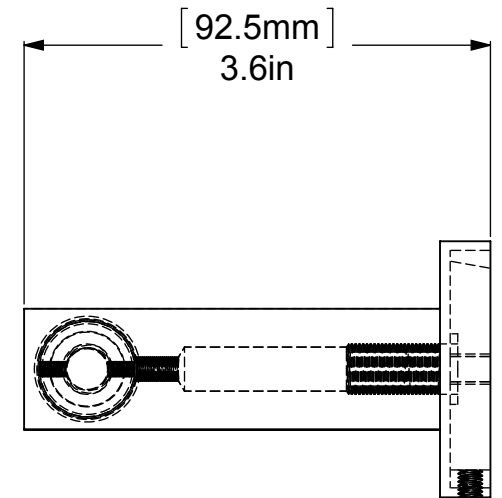
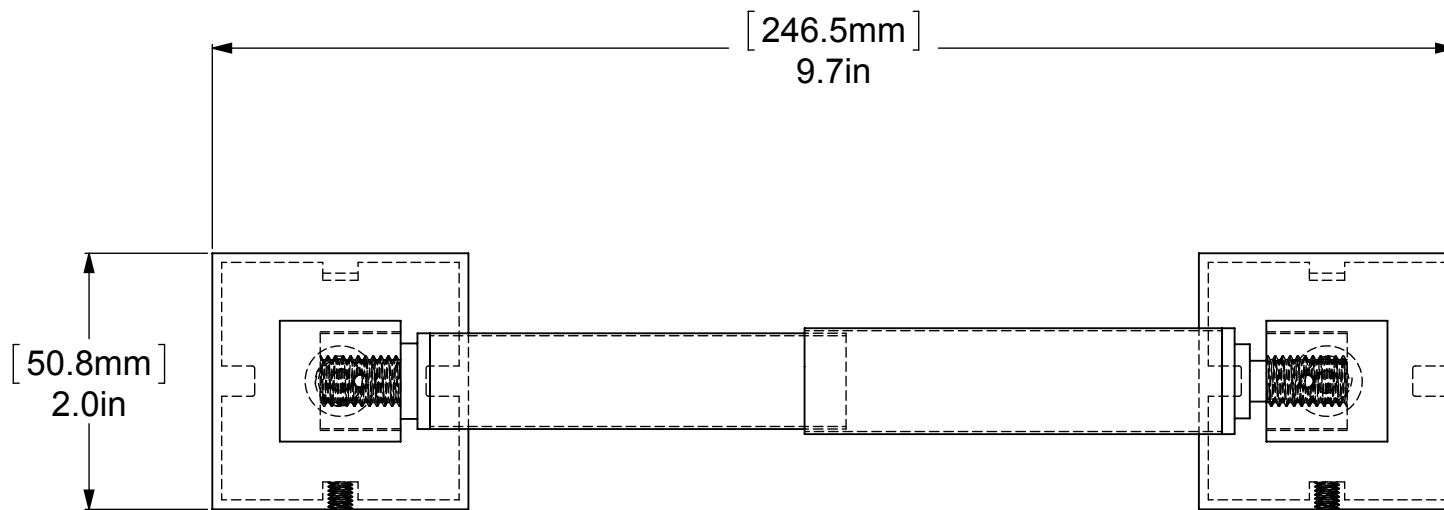
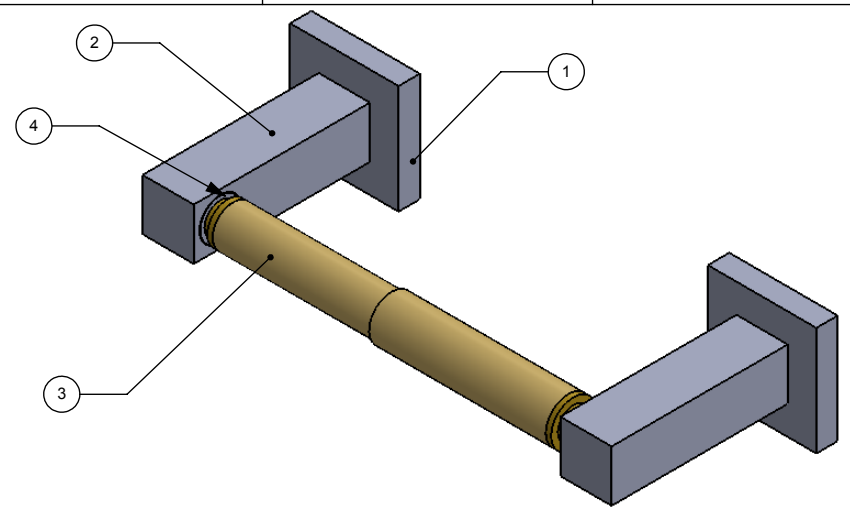


ITEM NO.	P/N	Description	QTY.
1	BPSQ	BACKPLATE	2
2	TBSQ-3.25	Neck	2
3	RLB-SET	PEG	1
4	LNMR-8	HUB	2



UNLESS OTHERWISE STATED

.X	$\pm .3\text{mm}$
.XX	$\pm .15\text{mm}$
.XXX	$\pm .008\text{mm}$

COPYRIGHT © Allied Brass 2016



THIRD ANGLE PROJECTION

DRAWN	4/28/2016	I.M
CHECKED	4/28/2016	P.D
APPROVED	4/28/2016	R.A

MATERIAL:	BRASS
DESCRIPTION:	TISSUE HOLDER

FINISH	TBD
QUANTITY	TBD
DRAWING No.	REV
MT-24	0
SCALE	1:1.5
SHEET: 01	A4