

# LED UFO High Bay Light

## INSTRUCTION MANUAL

Thank you for purchasing our UFO high bay. Please read below items carefully for using this product safely. Warning and attention contents related to products use, please be sure to follow them.

### ⚠ Warning

This UFO high bay within the input voltage range: AC100-277V,50-60HZ.

If input voltage exceeds this range, it may cause tube failure. Please be sure to operate under correct input voltage.

Ensure ambient operating temperature of -30 to 45°C

Using this UFO high bay in temperatures outside of this range will reduce the UFO high bay lifespan.

**Make sure to turn off power before starting the installation of this product. Please remove or bypass the ballast when you replace the traditional light, and ensure our led light connect with Input Voltage AC100-277V directly.**

### ⚠ Attention

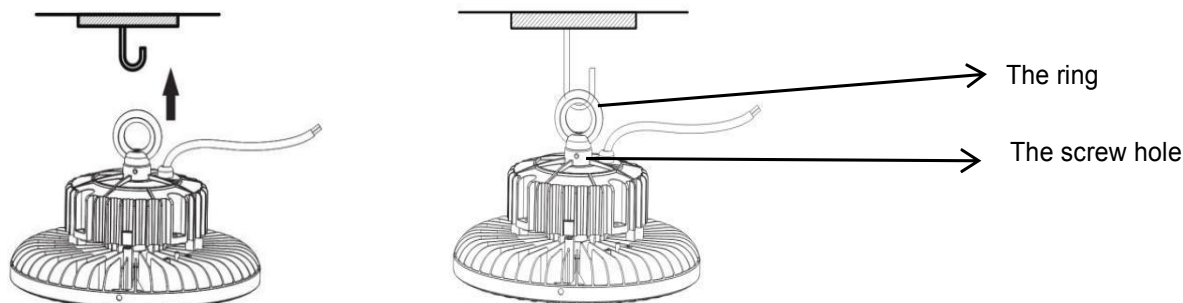
IP rating IP65, can work under wet location.

Please keep the UFO high bay from any corrosive substance. Please use damp or dry cloth when you clean it.

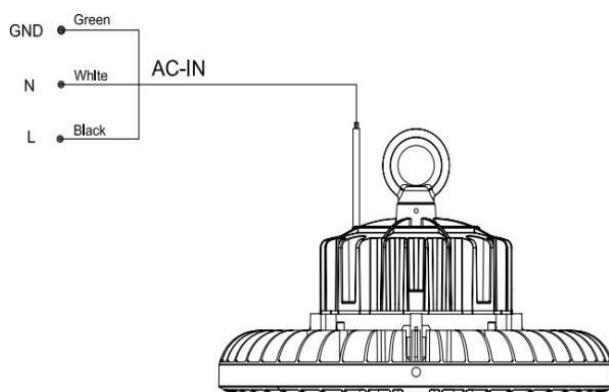
Power	100W	150W	200W	240W
Input Current	0.91A	1.36A	1.81A	2.18A
Input Voltage	AC100-277V			
Frequency	50-60Hz			

## Installation Instruction

Hang up the light (The ring has been locked on the light, and the screw tighten already, Please hang up the light directly.)



## Wiring Connection



Turn off the power connect black wire to L, white wire to N, and green wire to G (details as below), then turn on the power.