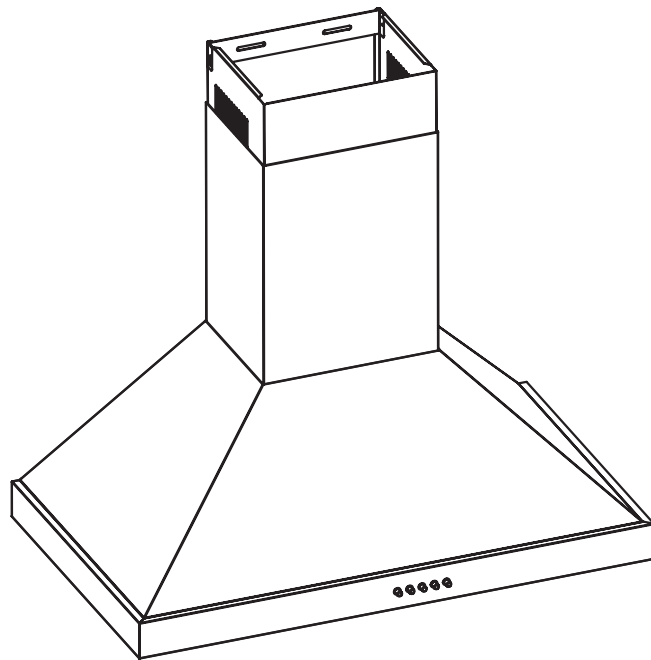


HAUSLANE

chef^{SERIES}

INSTRUCTION, USE & CARE MANUAL



WM-590BSS-30

Table of Contents	2
Safety Information	2
Warranty	4
Pre-installation	5
Installation	8
Operation	11
Maintenance	12
Care and Cleaning	14
Troubleshooting	15
Wiring Diagram	16

READ AND SAVE THESE INSTRUCTIONS FOR DOMESTIC COOKING ONLY

INSTALLER: Leave this manual with the homeowner.

HOMEOWNER: Use and Care information on Page

If hood is to be installed Non-Ducted (Recirculation), then purchase a set of (2) non-ducted charcoal filters from your local distributor or retailer and attach them to the motor.

WARNING

SUITABLE FOR USE IN HOUSEHOLD COOKING AREA.

TO REDUCE THE RISK OF FIRE, ELECTRICAL SHOCK, OR INJURY TO PERSONS, OBSERVE THE FOLLOWING:

1. Use this unit only in the manner intended by the manufacturer. If you have the questions, contact the manufacturer at the email address or telephone number listed in the warranty.
2. Before servicing or cleaning unit, switching power off at service panel and lock service panel to prevent power from being switched on accidentally. When the service disconnecting means cannot be locked, securely fasten a prominent warning device, such as a tag, to the service panel.
3. Installation work and electrical wiring must be done by a qualified personnel in accordance with all applicable codes and standards, including fire-rated construction codes and standards.
4. Sufficient air is needed for proper combustion and exhausting of gases through the flue (chimney) of fuel burning equipment to prevent back drafting. Follow the heating equipment manufacturer's guidelines and safety standards such as those published by the National Fire Protection Association (NFPA), and the American Society for Heating, Refrigeration and Air Conditioning Engineers (ASHRAE), and the local code authorities.
5. When cutting or drilling into wall or ceiling, do not damage electrical wiring and other hidden utilities.
6. Ducted fans must always be vented to the outdoors.
7. Do not use this unit with any solid-state speed control device.
8. To reduce the risk of fire, use only steel ductwork.
9. This unit must be grounded.

TO REDUCE THE RISK OF A RANGE TOP GREASE FIRE:

- A. Never leave surface units unattended at high settings. Boil overs cause smoking and greasy spillovers that may ignite. Heat oils slowly on low or medium settings.
- B. Always turn hood ON when cooking at high heat or when cooking flaming foods.
- C. Clean ventilating fans frequently. Grease should not be allowed to accumulate on fan or filter.
- D. Use proper pan size. Always use cookware appropriate for the size of the surface element.

WARNING

TO REDUCE THE RISK OF INJURY TO PERSONS IN THE EVENT OF A RANGE TOP GREASE FIRE, OBSERVE THE FOLLOWING*:

1. SMOTHER FLAMES with a close-fitting lid, cookie sheet or metal tray, then turn off the burner. BE CAREFUL TO PREVENT BURNS. IF THE FLAMES DO NOT GO OUT IMMEDIATELY, EVACUATE AND CALL THE FIRE DEPARTMENT.
2. NEVER PICK UP A FLAMING PAN – You may be burned.
3. DO NOT USE WATER, including wet dishcloths or towels – This could cause a violent steam explosion.
4. Use an extinguisher ONLY if:
 - A. You own a Class ABC extinguisher and you know how to operate it.
 - B. The fire is small and contained in the area where it started.
 - C. The fire department has been called.
 - D. You can fight the fire with your back to an exit.

*Based on "Kitchen Fire Safety Tips" published by NFPA.

CAUTION

1. For general ventilating use only. Do not use to exhaust hazardous or explosive materials and vapors.
2. To avoid motor bearing damage and noisy and/or unbalanced impellers, keep drywall spray, construction dust, etc. off power unit.
3. For the best capture of cooking impurities, your range hood should be mounted so that the top of the hood is 26"-30" above the cooking surface (min 26" for electric cooktop, 28" for gas cooktop). The minimum hood distance above cooktop must not be less than 26"; any installation less than 26" may cause over heat and cause damage to the range hood, HAUSLANE does not warrant this improper installation.
4. Two installers are recommended because of the larger size and weight of this hood.
5. To reduce the risk of fire and to properly exhaust air, be sure to duct air outside – Do not exhaust air into spaces within walls and ceiling or into attics, crawl space or garages.
6. Because of the high exhausting capacity of this hood, you should make sure enough air is entering the house to replace exhausted air by opening a window close to or in the kitchen.
7. Use with approved cord-connection kit only.
8. Please read specification label in product for further information and requirements.

This range hood is warranted to the original purchaser to be free of defects in material and workmanship for two(2) year from the date of purchase.

Our obligation shall be limited to the repair or replacement of a unit (at our discretion) that may prove, by our sole examination, to be defective under normal use and service during the warranty period. We may issue credit in the amount of the invoice value of the defective product (or a percentage of it according to use) in lieu of repair or replacement. Any failure of this product that is not traceable to a defect in material or workmanship is not covered by this warranty. These non-warrantable items include, but are not limited to:

- Any defects or damage to light bulbs
- Change in color or finish due to chemical usage
- Improper installation not in accordance with the instructions
- Dents, bumps, and scratches incurred during shipping, handling, or installation
- Damage caused by failure to follow care and cleaning guidelines, including damage caused by the use of abrasive cleaners
- Alterations made to the unit by the purchaser or installer
- Damage caused by accidental impact, fire, flood, freezing, and normal wear
- Bends and warping caused by forced connections, over-tightened fittings, and inadequate support during installation

A thorough inspection must be made before installation and any damage must be promptly reported. We will not be liable for failures or damage that could have been discovered or avoided by proper inspection and testing prior to installation.

Incidental repairs that would involve a minimum of time and effort on behalf of the purchaser will not be considered warranty work and no compensation will be deemed forth coming.

This warranty is non-transferable and shall be voided if the unit is removed from its initial installation or if it is not installed following the instructions.

Under no circumstance shall we be held liable for personal injury or property damage resulting from improper installation or use of this product. We will not be held liable for inconvenience caused by loss of use of this product, costs incurred for labor or materials, removal and installation of replacement units, or any other incidental or consequential damages. Costs relating to obtaining access for repair or replacement are the responsibility of the user.

This warranty does not extend to commercial and institutional installation or use.

WARRANTY CLAIM PRODEDURE

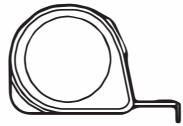
If a claimable defect occurs, please contact our customer service team .

Before you make your claim call, please ensure that you have:

- Description of the range hood
- Proof of sale
- Details regarding the defect
- Name(s) and address(es) of the owner and installer

Claims must be filled out in writing and returned within six (6) months of the appearance of a defect. Failure to comply with this stipulation will make this warranty null and void. We reserve the right to a thirty-day (30) delay following the receipt of a claim in which to inspect the product. We assume no responsibility for labor costs, removing or replacing a previously installed product, transportation, or the return of a product.

TOOLS REQUIRED



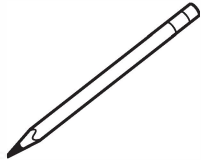
Measuring tape



Level



Utility knife



Pencil



Tape



Adjustable wrench



Phillips screwdriver



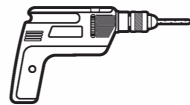
Flathead screwdriver



Needle nose pliers



Hammer



Electric drill



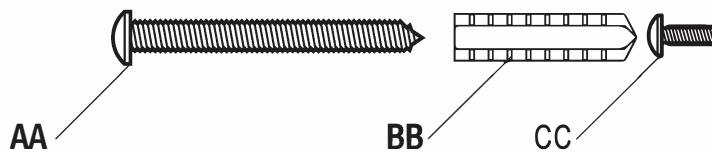
Safety goggles



Safety gloves

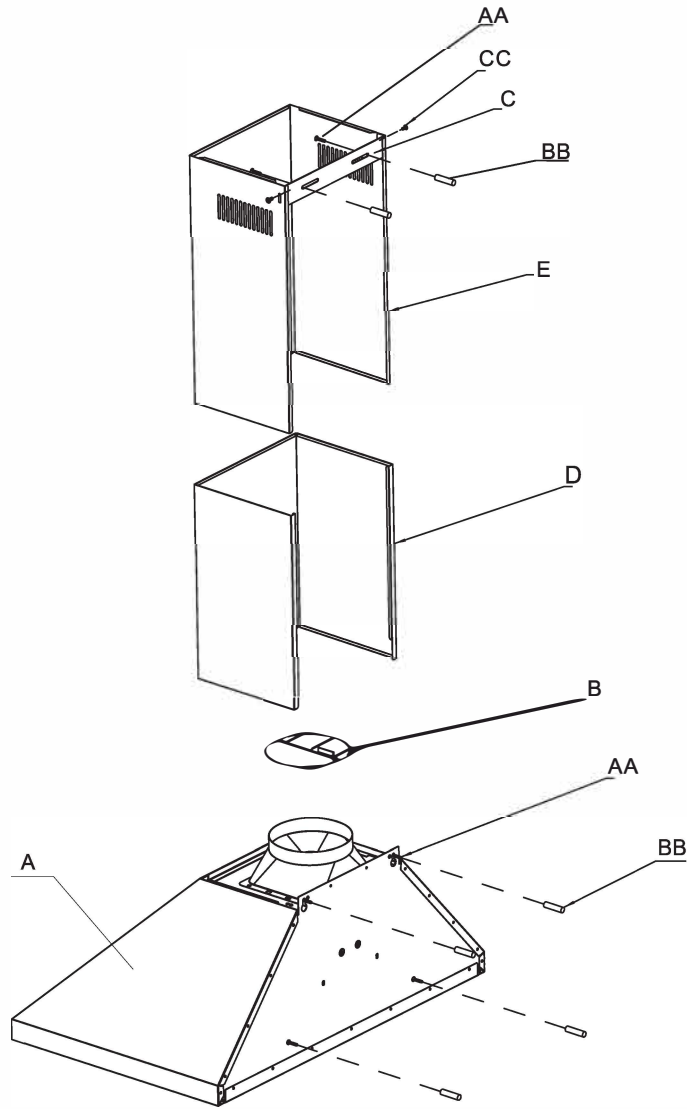
HARDWARE INCLUDED

 **NOTE:** Hardware not shown to actual size.



Part	Description	Quantity
AA	Hood body mounting screws	6
BB	Drywall anchor	6
CC	Chimney mounting bracket screws	2

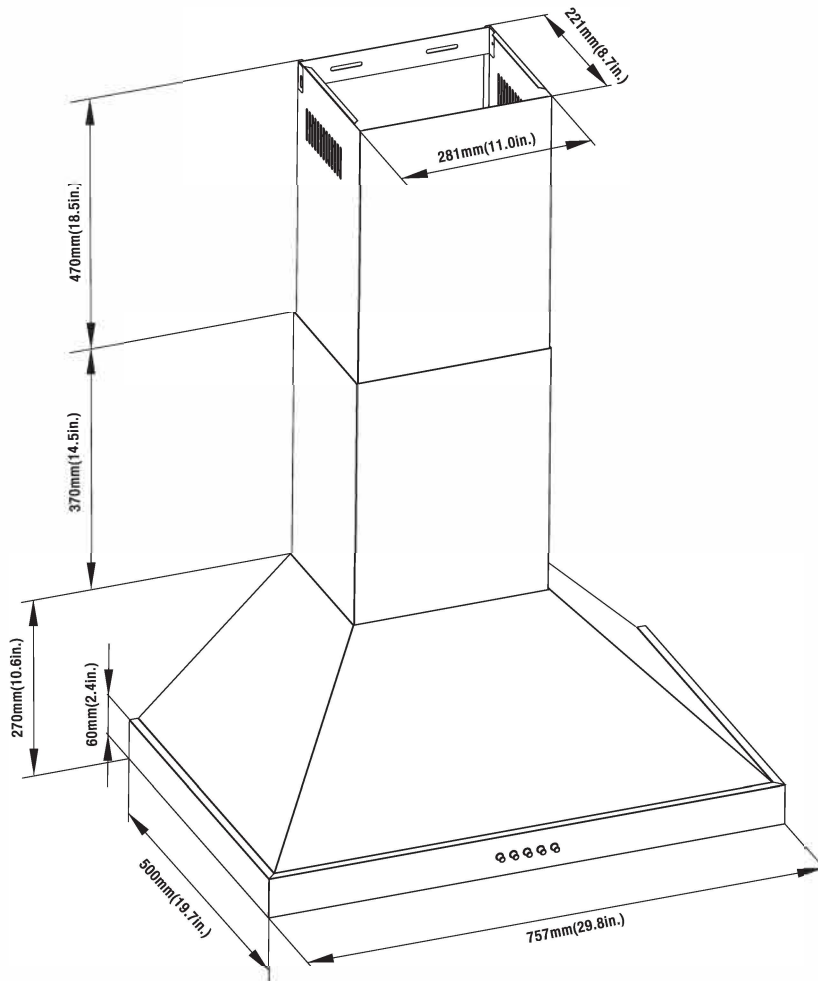
PACKAGE CONTENTS



Part	Description	Quantity
A	Range hood (including filters and lamps)	1
B	Damper (located with the outlet adapter)	1
C	Chimney mounting bracket	1
D	Bottom chimney	1
E	Top chimney	1

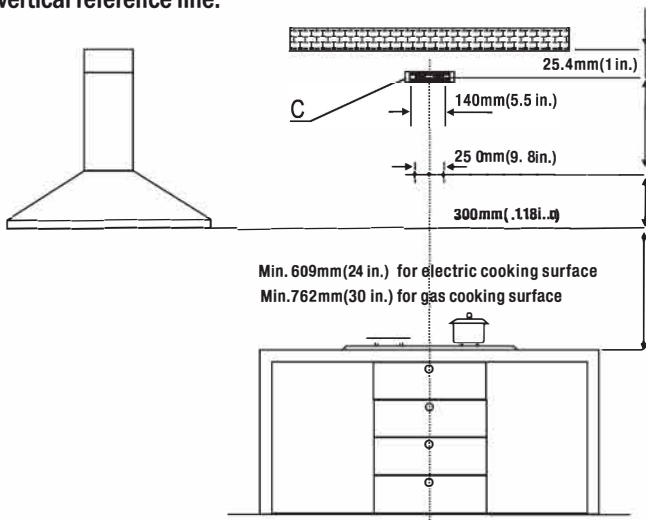
SPECIFICATIONS

Dimensions	Volts	Hertz	Fan CFM	Speeds	Light Wattage	Stainless Steel Grade
WM-590BSS-30: 760mm(29.4 in)W	120	60	860	High	1 x 5W	
480 mm (18.9 in.) D				Medium		
675-1150mm(26.5-45.2 in.)H				Low		



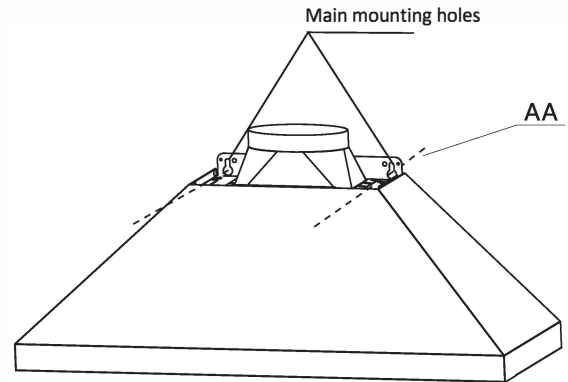
1 INSTALLATION DRILLING AND LINING

1. Draw a vertical line on the supporting wall up to the ceiling, or as high as practical, at the center of the area in which the hood will be installed.
2. Draw a horizontal line at minimum 24 in and maximum 30 in above the cooking surface.
3. Place chimney mounting bracket (C) on the wall as shown about 1 in. from the ceiling or upper limit aligning the center (notch) with the vertical reference line.

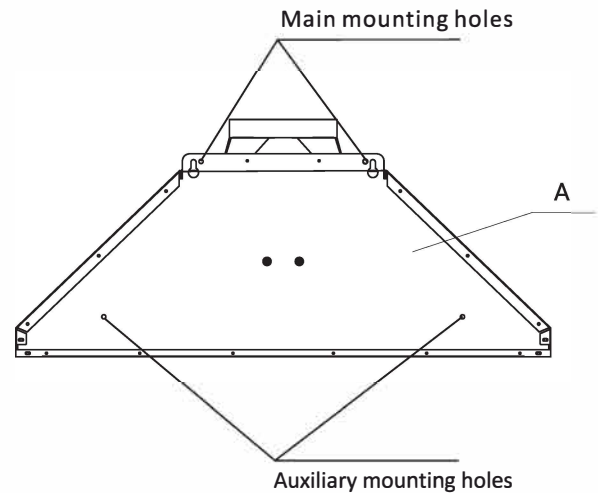


2 MOUNTING THE HOOD

1. Mount the two hood body mounting screws (AA) with drywall anchors (BB) into the wall along the line that is 11 - 4/5 in. above the horizontal line. Ensure the screws and anchors (AA and BB) are parallel with the horizontal line.



2. Hang the hood body (A) onto the screws (AA) mounted onto the wall and securely tighten the screws (AA) to secure the hood body (A) on the wall.
3. Install two additional hood body mounting screws (AA) into the auxiliary mounting holes to secure the hood body (A) in place.



3 DUCT FIXING

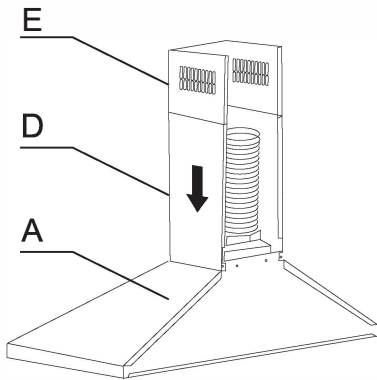


CAUTION: To reduce the risk of fire, metal ductwork is preferred. (Metal duct should be sourced locally.)

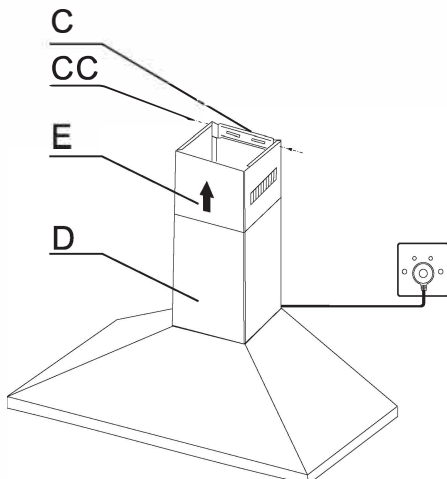
- Attach an adequate length of \varnothing 6 in. round duct (not included) on the top the outlet adapter.
- Check and properly tape all joints on duct work to ensure proper connections.

1. TELESCOPIC CHIMNEY ASSEMBLY

- **Chimney Bottom:** Carefully slide the chimney bottom (D) down outside the chimney top (E) partly, and then carefully place the chimney bottom (D) into the recessed area of the hood body (A) top.



- **Chimney Top:** Ensure the chimney mounting bracket (C) is securely attached to the wall. Raise the chimney top (E) up inside the chimney bottom (D). Secure the chimney top (E) to the chimney mounting bracket (C) with chimney mounting bracket screws (CC) from two sides.



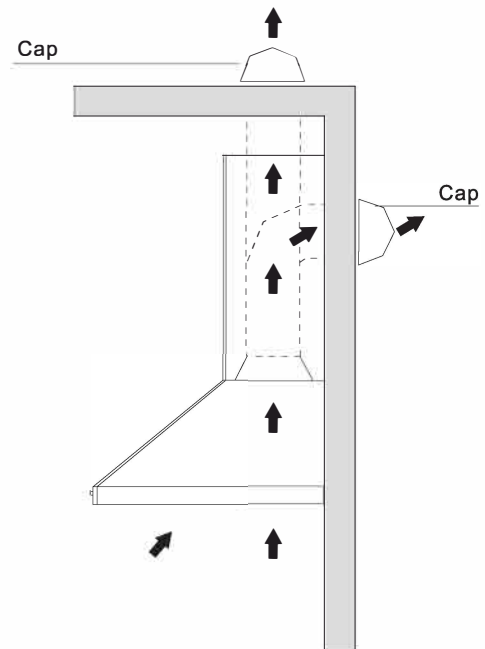
4 CONNECTIONS

DUCTED MODE



CAUTION: To reduce the risk of fire, metal ductwork is preferred. (Metal duct should be sourced locally.)

1. Decide where the ductwork (not included) will run between the hood and the outside.
2. Please be noted that a straight, short duct will allow the hood to perform more efficiently.
3. Long duct runs, elbows, and transitions will reduce the performance of the hood. Larger ducting may be required for better performance with longer duct runs.
4. The air must not be discharge into a flue that is used for exhausting fumes from appliances burning gas or other fuels. Regulations concerning the discharge of air have to be fulfilled.
5. Install a roof/wall cap. Connect metal ductwork to cap and work back towards hood location. Check and properly tape all joints on ductwork to ensure proper connections. (The roof/wall cap should be sourced locally).

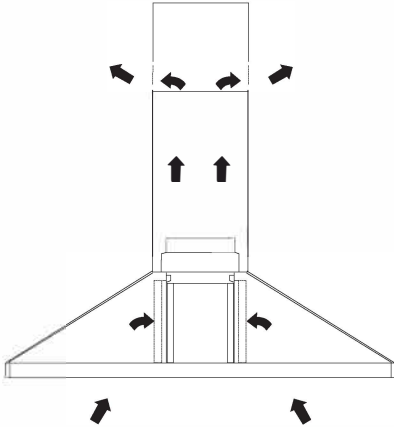


NON-DUCTED MODE



CAUTION: Do not use plastic or rigid metal ducting.

1. Install the charcoal filter (not included).
2. Please note that the air will flow out from the two grids on the two sides of the chimney top.



ELECTRICAL CONNECTION



WARNING: Electrical wiring must be done by a qualified person(s) in accordance with all applicable codes and standards. Turn off electrical power at service entrance before wiring.



WARNING: If the supply cord is damaged, it must be replaced by the service agent or similarly qualified persons in order to avoid a hazard.



WARNING: Do not use the plug and an extension cord other than the ones initially supplied with the hood.

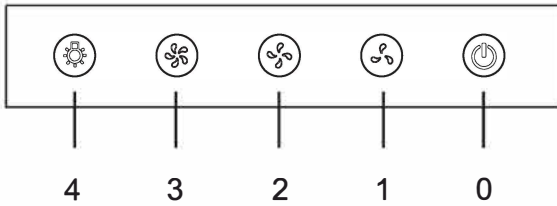


WARNING: The ground connection of this hood is compulsory. Do not remove ground prong of the plug.

1 OPERATION OF CONTROLS

Settings:

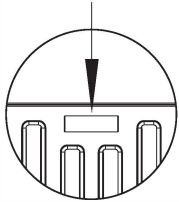
- 0 - ON/OFF
- 1 - LOW SPEED
- 2 - MEDIUM SPEED
- 3 - HIGH SPEED
- 4 - LIGHT



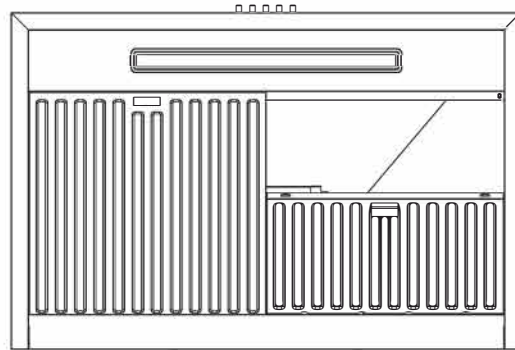
BAFFLE GREASE FILTER

- The grease filters should be cleaned frequently (every two months of operation, or more frequently for heavy use). Use a warm detergent solution.
- Grease filters are washable.

(1) PUSH DOWN



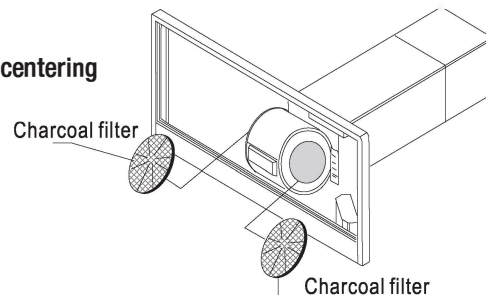
(2) LIFT OUT



1. Remove the grease filters one by one by pushing down each latch. This will disengage the filter from the hood. Tilt the filter downward and remove.
2. Wash the filters, taking care not to bend them. Allow them to be dry before refitting.
3. When refitting the filters, make sure that the latch is visible from the outside.
4. To install the grease filter, align rear filter tabs with slots in the hood. Push down the latch, push filter into position and release. Make sure the filter is securely engaged after assembly.

NON-DUCTED RECIRCULATION CHARCOAL FILTER (NOT INCLUDED)

- This charcoal filter (not included) is not washable, cannot be regenerated, and should be replaced approximately every 3 months of operation, or more frequently in the case of heavy usage.
1. Remove the outer filters.
 2. The charcoal filters (not included) must be applied to the suction unit in side the hood, centering them inside of it and turning them 90° until they snap into place.
 3. Put the outer filters back in place.



LIGHTING

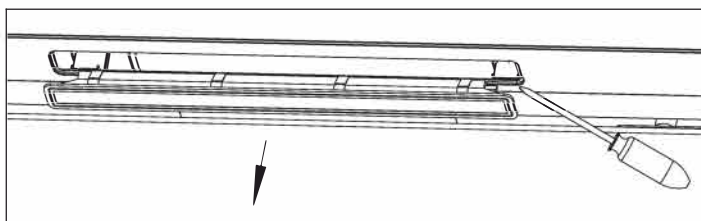


WARNING: Always switch off the electrical supply before carrying out any operation on the appliance.



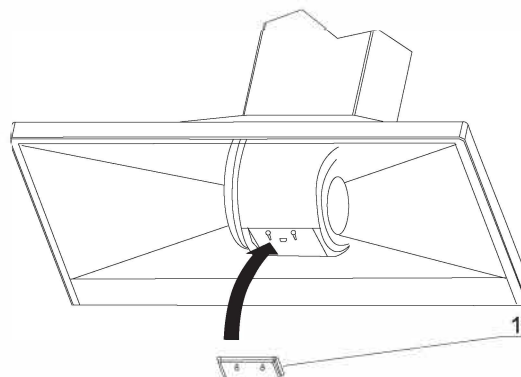
CAUTION: The surface of the LED lamps may be hot. Take care when doing the replacement.

- This range hood requires one LED strip (model #WA0876 with 120V,5W).
 - To change LED strip:
1. Switch off power and wait for 5 minute until the bulbs cool down.
 2. Wear gloves and remove the bulb by pulling sideways.



OIL CUP

1. The oil cup (1) is located on the motor blower.
2. The oil cup should be cleaned frequently. The oil accumulated inside the oil cup cannot be more than half. Use a warm detergent solution.
3. Allow it to be dry before refitting.





WARNING: Failure to maintain basic standards of care and cleaning of the range hood will increase the risk of fire .

The range hood should be cleaned regularly internally and externally to preserve its appearance and performance.

Do

- Clean the range hood periodically with hot, soapy water and a clean cotton cloth.
- Always clean in the direction of original polish lines.
- Always rinse well with clean water two or three times after cleaning. Wipe completely dry with a soft, non-abrasive cloth.
- After cleaning, you may polish with a non-abrasive stainless steel polish or cleaner. Always rub lightly and with the grain.
- Ensure that the venting system is free of debris, if you have one.

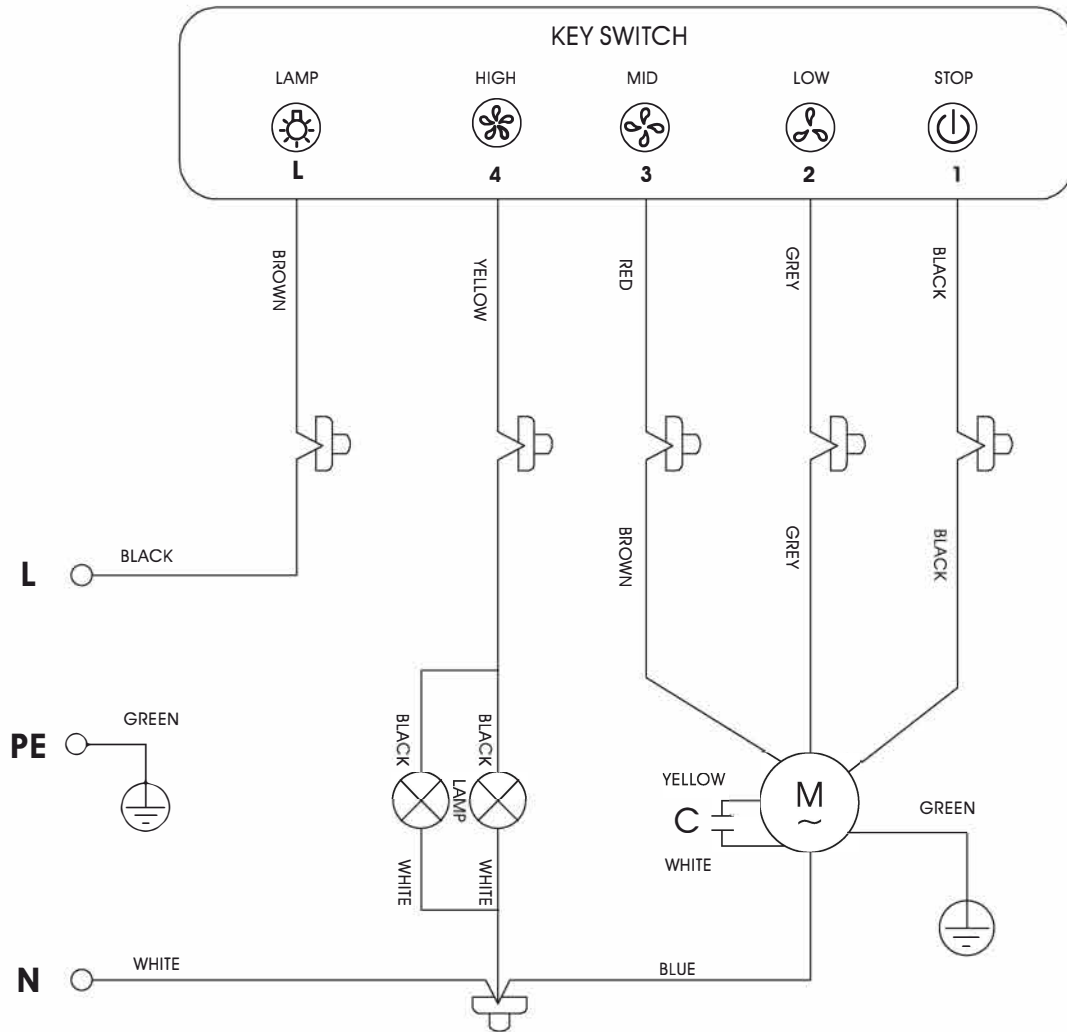
Do Not

- Do not use corrosive or abrasive detergents, or any products containing chloride, fluoride, iodide, or bromide on this product, as they will deteriorate the surface rapidly.
- Do not allow cleaning compounds, salt solutions, disinfectants, or bleaches to remain in contact with the product for extended periods of time.
- Do not allow deposits to remain for long periods of time on the range hood. Rinse with water immediately and wipe dry with a clean cloth.
- Do not leave the range hood dirty for long periods of time or allow dirt to accumulate.
- Do not let plaster dust or any other construction residue enter the hood. During construction or renovation, cover the hood.
- Combustible products used for cleaning, such as acetone, alcohol, ether, or benzyl, are highly explosive and should never be used close to a range or stove .



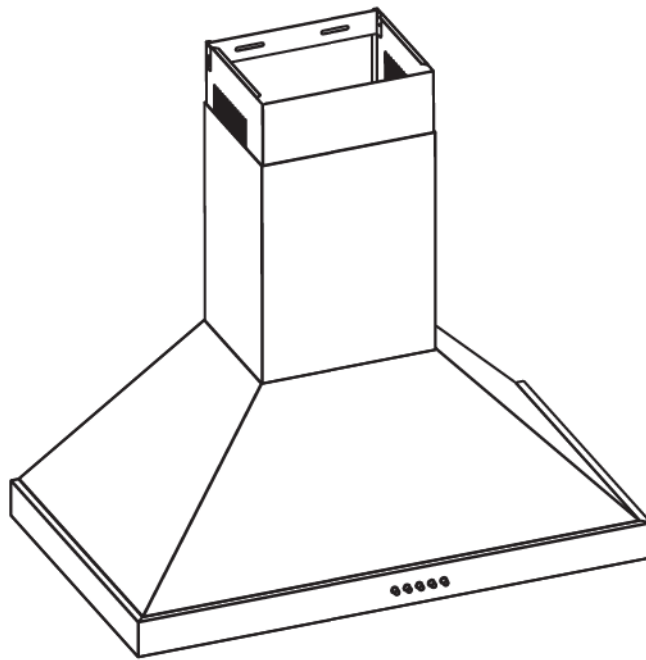
DANGER: Turn off the power circuit breaker or the power switch on the junction box before installing or servicing this unit. Touching circuitry inside the range hood while it is energized will result in death or serious injury.

Problem	Solution
The range hood will not operate.	<ul style="list-style-type: none"> <input type="checkbox"/> Check that the power supply cable and all electrical wiring are properly connected. <input type="checkbox"/> Check that the power is turned on at the junction box or circuit breaker. <input type="checkbox"/> Check that the wiring between the switch board and the control board are connected properly.
The range hood vibrates when the fan is operating.	<ul style="list-style-type: none"> <input type="checkbox"/> Check that the range hood has been secured properly to the wall or cabinet. Tighten it into position, if necessary. <input type="checkbox"/> Check that the motor is secured in place. If not, then tighten the motor in place. <input type="checkbox"/> Check that the fan is not damaged. If so, replace the fan.
The fans seem weak.	<ul style="list-style-type: none"> <input type="checkbox"/> Check that the duct size used is at least 152 mm (6 in.). The range hood will not function efficiently with insufficient duct size. <input type="checkbox"/> Check that the duct is not clogged with debris and the tight mesh on the wall cap, if applicable, isn't restricting air flow. <input type="checkbox"/> Check that the damper unit is opening properly, if applicable.
The lights work, but the fan is not spinning, is stuck, or is rattling.	<ul style="list-style-type: none"> <input type="checkbox"/> The lights work, but the fan is not spinning, is stuck, or is rattling. <input type="checkbox"/> Check that the fan isn't jammed or scraping the bottom. <input type="checkbox"/> If nothing else works, the motor may be defective or seized. If so, replace the motor.
The range hood is not venting properly.	<ul style="list-style-type: none"> <input type="checkbox"/> Check that the distance between the cook top and the bottom of the range hood is min. at 24 in. <input type="checkbox"/> Check that duct work follows all requirements. Use metal duct work with a uniform diameter of 150 mm (6 in.). Reduce the length of duct work and the number of elbows if necessary. Ensure that all joints are properly connected, sealed, and taped. <input type="checkbox"/> Check that the duct does not open against the wind. <input type="checkbox"/> Ensure that the power is on high speed for heavy cooking. <input type="checkbox"/> Wind from opened windows or doors may affect the performance of the range hood. Close windows and doors to eliminate outside air flow.
A light does not work.	<ul style="list-style-type: none"> <input type="checkbox"/> Check the light bulb to see if it is loose. If so, tighten. <input type="checkbox"/> Remove the problem bulb and insert one you know is working. If the properly functioning light does not come on, the problem may be the light assembly. Have the light assembly serviced or replaced.



HAUSLANE | chef^{SERIES}

MANUEL D'INSTRUCTION, D'UTILISATION ET D'ENTRETIEN



WM-590BSS-30

CONTENU	2
CONSIGNES DE SÉCURITÉ	2
GARANTIE	4
PRÉ-INSTALLATION	5
INSTALLATION	8
OPÉRATION	11
MAINTENANCE	12
NETTOYAGE ET ENTRETIEN	14
DÉPANNAGE	15
SCHÉMA DE CÂBLAGE	16

Consigne de sécurité et mises en garde

LIRE ET CONSERVER CES INSTRUCTIONS POUR LA CUISINE DOMESTIQUE UNIQUEMENT

INSTALLATEUR: Laissez ce manuel au propriétaire de la maison

PROPRIÉTAIRE: Informations sur l'utilisation et l'entretien à la Page

Si la hotte doit être installée sans conduit (recirculation), achetez un jeu de (2) filtres à charbon sans conduit auprès de votre distributeur ou revendeur local et fixez-les au moteur.

AVERTISSEMENT

A UTILISER DANS LA ZONE DE CUISSON DOMESTIQUE.

POUR RÉDUIRE LE RISQUE D'INCENDIE, DE CHOC ÉLECTRIQUE OU DE BLESSURE AUX PERSONNES, OBSERVER LES CONSIGNES SUIVANTES:

1. Utilisez cet appareil uniquement de la manière prévue par le fabricant. Si vous avez des questions, contactez le fabricant à l'adresse électronique ou au numéro de téléphone indiqués dans la garantie.
2. Avant de procéder à l'entretien ou au nettoyage de l'appareil, coupez l'alimentation électrique au niveau du panneau de service et verrouillez le panneau de service pour éviter toute mise sous tension accidentelle. Lorsque la déconnexion du service ne peut pas être verrouillée, fixez solidement un dispositif d'avertissement bien visible, tel qu'une étiquette, au panneau de service.
3. Les travaux d'installation et le câblage électrique doivent être effectués par un personnel qualifié conformément à tous les codes et normes applicables, y compris les codes et normes de construction à indice de risque d'incendie.
4. Une quantité suffisante d'air est nécessaire pour une bonne combustion et l'évacuation des gaz par le conduit (cheminée) des équipements de combustion pour éviter un refoulement. Suivez les directives du fabricant de l'équipement de chauffage et les normes de sécurité telles que celles publiées par L'Association Nationale de Protection contre l'Incendie (NFPA), et la Société Américaine des Ingénieurs en Chauffage, Réfrigération et Climatisation (ASHRAE), et les autorités locales.
5. Lorsque vous coupez ou percez un mur ou un plafond, n'endommagez pas de câbles électriques ou d'autres installations cachées.
6. Les ventilateurs canalisés doivent toujours être ventilés vers l'extérieur
7. N'utilisez pas cet appareil avec un dispositif de contrôle de vitesse à semi-conducteurs.
8. Pour réduire le risque d'incendie, n'utilisez que des conduits en acier.
9. Cet appareil doit être mis à la terre.

POUR RÉDUIRE LE RISQUE D'UN FEU DE GRAISSE SUR LA CUISINIÈRE :

- A. Ne jamais laisser l'appareil sans surveillance à des températures élevées. Les débordements d'ébullition provoquent de la fumée et des déversements de graisse qui peuvent s'enflammer. Faites chauffer les huiles lentement à feu doux ou moyen.
- B. Allumez toujours la hotte lorsque vous cuisinez à feu vif ou lorsque vous cuisinez des aliments qui flambent.
- C. Nettoyez fréquemment les ventilateurs. Ne laissez pas la graisse s'accumuler sur le ventilateur ou le filtre.
- D. Utilisez des casseroles de taille appropriée. Utilisez toujours des ustensiles de cuisine adaptés à la taille de l'élément de surface.

AVERTISSEMENT

POUR RÉDUIRE LE RISQUE DE BLESSURE EN CAS DE FEU DE GRAISSE SUR LE DESSUS DE LA CUISINIÈRE, RESPECTEZ LES CONSIGNES SUIVANTES* :

1. ÉTOUFFEZ LES FLAMMES avec un couvercle bien ajusté, une plaque à pâtisserie ou un plateau métallique, puis éteignez le brûleur. FAITES ATTENTION DE NE PAS VOUS BRÛLER. SI LES FLAMMES NE S'ÉTEIGNENT PAS IMMÉDIATEMENT, ÉVACUEZ LES LIEUX ET APPELEZ LES POMPIERS.
2. NE JAMAIS RAMASSER UNE CASSEROLE ENFLAMMÉE – Vous pourriez vous brûler.
3. N'UTILISEZ PAS D'EAU, y compris des torchons ou des serviettes mouillés - Cela pourrait provoquer une violente explosion de vapeur.
4. Utilisez un extincteur UNIQUEMENT si:
 - A. Vous possédez un extincteur de classe ABC et vous savez comment l'utiliser.
 - B. Le feu est petit et contenu dans la zone où il a pris naissance.
 - C. Le service d'incendie a été appelé.
 - D. Vous pouvez combattre l'incendie le dos à la sortie.

*Tiré de "Kitchen Fire Safety Tips" publié par la NFPA

ATTENTION

1. Usage exclusif à des fins de ventilation générale. Ne pas utiliser pour évacuer des matières et des vapeurs dangereuses ou explosives.
2. Pour éviter d'endommager les roulements de moteur et les roues bruyantes et/ou déséquilibrées, tenir les pulvérisateurs de cloisons sèches, les conduits de construction, etc. à l'écart du groupe moteur.
3. Pour une meilleure capture des impuretés de cuisson, votre hotte de cuisine doit être montée de manière que le dessus de la hotte se trouve entre 26" et 30" au-dessus de la surface de cuisson (min 26" pour la table de cuisson électrique, 28" pour la table de cuisson à gaz). La distance minimale de la hotte au-dessus de la table de cuisson ne doit pas être inférieure à 26"; toute installation inférieure à 26" peut provoquer une surchauffe et endommager la hotte, CHEF RANGE HOODS ne garantit pas cette mauvaise installation.
4. Il est recommandé de faire appel à deux installateurs en raison de la taille et du poids plus importants de cette hotte.
5. Pour réduire le risque d'incendie et pour évacuer correctement l'air, veillez à diriger l'air vers l'extérieur - N'évacuez pas l'air dans des espaces à l'intérieur des murs et du plafond, ni dans les greniers, les vides sanitaires ou les garages.
6. En raison de la grande capacité d'évacuation de cette hotte, vous devez vous assurer que suffisamment d'air entre dans la maison pour remplacer l'air évacué en ouvrant une fenêtre à proximité ou dans la cuisine.
7. N'utiliser qu'avec le kit de raccordement de cordon approuvé.
8. Veuillez lire l'étiquette de spécification dans le produit pour plus d'informations et exigences.

Garantie

Cette hotte de cuisine est garantie à l'acheteur d'origine contre tout défaut de matériau et de fabrication pendant deux (2) ans à compter de la date d'achat.

Notre obligation se limite à la réparation ou au remplacement de l'appareil (à notre discrétion) qui peut s'avérer, par notre seul contrôle, défectueux dans des conditions normales d'utilisation et d'entretien pendant la période de garantie. Nous pouvons émettre un crédit d'un montant égal à la valeur de la facture du produit défectueux (ou un pourcentage de celui-ci selon l'utilisation) en lieu et place de la réparation ou du remplacement. Toute défaillance de ce produit qui ne peut être attribuée à un défaut de matériau ou de fabrication n'est pas couverte par la présente garantie. Ces éléments non garantis comprennent, sans s'y limiter à:

- Tout défaut ou dommage aux ampoules électriques
- Changement de couleur ou de finition dû à l'utilisation de produits chimiques
- Installation incorrecte non conforme aux instructions
- Les creux, bosses et éraflures subis lors du transport, de la manutention ou de l'installation
- Dommages causés par le non-respect des consignes d'entretien et de nettoyage, y compris les dommages causés par l'utilisation de nettoyeurs abrasifs
- Les modifications apportées à l'appareil par l'acheteur ou l'installateur
- Dommages causés par un impact accidentel, incendie, inondation, gel et usure normale
- Courbures et déformations causées par un raccordement forcé, des raccords trop serrés et un support inadéquat lors de l'installation

Une inspection approfondie doit être effectuée avant l'installation et tout dommage doit être rapidement signalé. Nous ne sommes pas responsables des défaillances ou des dommages qui auraient pu être découverts ou évités par une inspection et des tests appropriés avant l'installation.

Les réparations accessoires qui impliquent un minimum de temps et d'efforts de la part de l'acheteur ne seront pas considérées comme des travaux sous garantie et aucune compensation ne sera accordée.

Cette garantie n'est pas transférable et sera annulée si l'appareil est retiré de son installation initiale ou s'il n'est pas installé conformément aux instructions.

En aucun cas, nous ne serons tenus responsables des blessures corporelles ou des dommages matériels résultant d'une installation ou d'une utilisation incorrecte de ce produit. Nous ne serons pas tenus responsables des inconvénients causés par la perte d'utilisation de ce produit, des coûts de main-d'œuvre ou de matériaux, de l'enlèvement et de l'installation d'unités de remplacement, ou de tout autre dommage accessoire ou indirect. Les coûts liés à l'obtention d'un accès pour la réparation ou le remplacement sont à la charge de l'utilisateur.

Cette garantie ne s'applique pas aux installations ou utilisations commerciales et institutionnelles.

PROCÉDURE DE DEMANDE DE GARANTIE

En cas de défaut faisant l'objet d'une réclamation, veuillez contacter notre service clientèle au 1-800-929-0168 (de 8 h à 17 h, HNP, du lundi au vendredi).

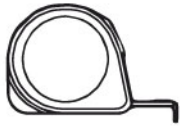
Avant de faire votre appel de réclamation, assurez-vous que vous avez :

- Description de la hotte de cuisine
- Preuve de la vente
- Détails concernant le défaut
- Noms et adresses du propriétaire et de l'installateur

Les réclamations doivent être remplies par écrit et renvoyées dans les six (6) mois suivant l'apparition d'un défaut. Le non-respect de cette stipulation rendra la présente garantie invalide. Nous nous réservons le droit d'un délai de trente (30) jours suivant la réception d'une réclamation pour inspecter le produit. Nous n'assumons aucune responsabilité pour les frais de main-d'œuvre, l'enlèvement ou le remplacement d'un produit déjà installé, le transport ou le renvoi d'un produit.

Pré-installation

OUTILS NÉCESSAIRES



Mètre ruban



Niveau d'eau



Couteau utilitaire



Crayon



Ruban



Clé à molette



Tournevis Phillips



Tournevis à tête plate



Pinces à bec effilé



Marteau



Perceuse électrique



Lunettes de sécurité



Gants de sécurité

MATÉRIEL INCLUS



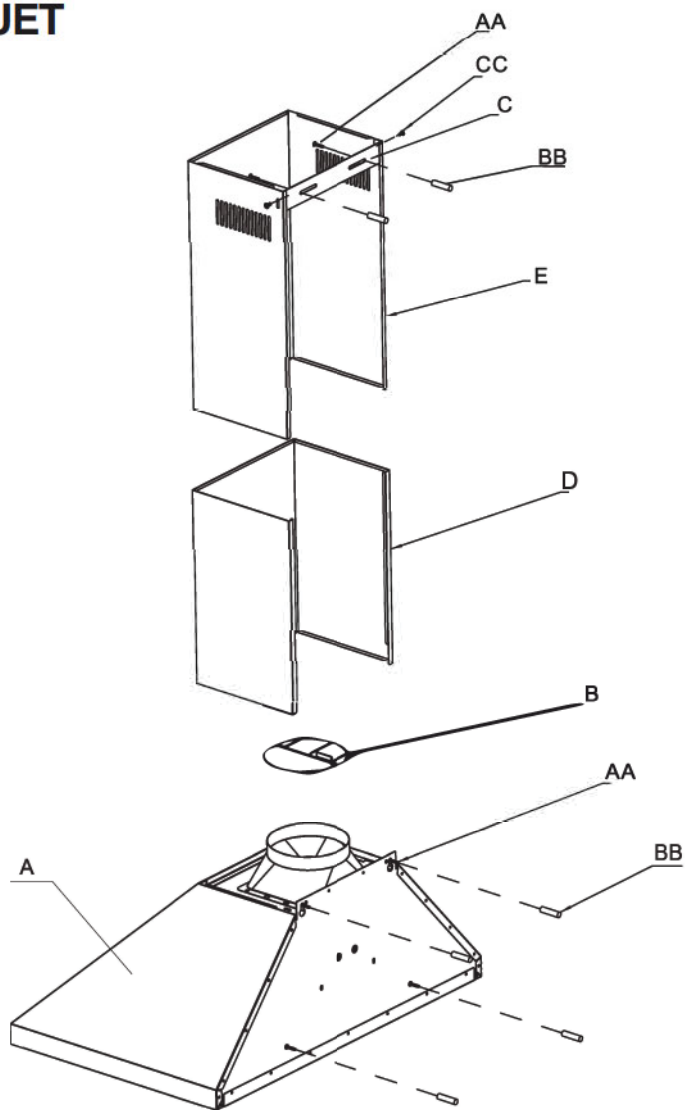
REMARQUE: le matériel n'est pas présenté à sa taille réelle



Pièce	Description	Quantité
AA	Vis de fixation du corps de la hotte	6
BB	Ancrage de cloison sèche	6
CC	Vis du support de montage de la cheminée	2

Pré-installation (suite)

CONTENU DU PAQUET

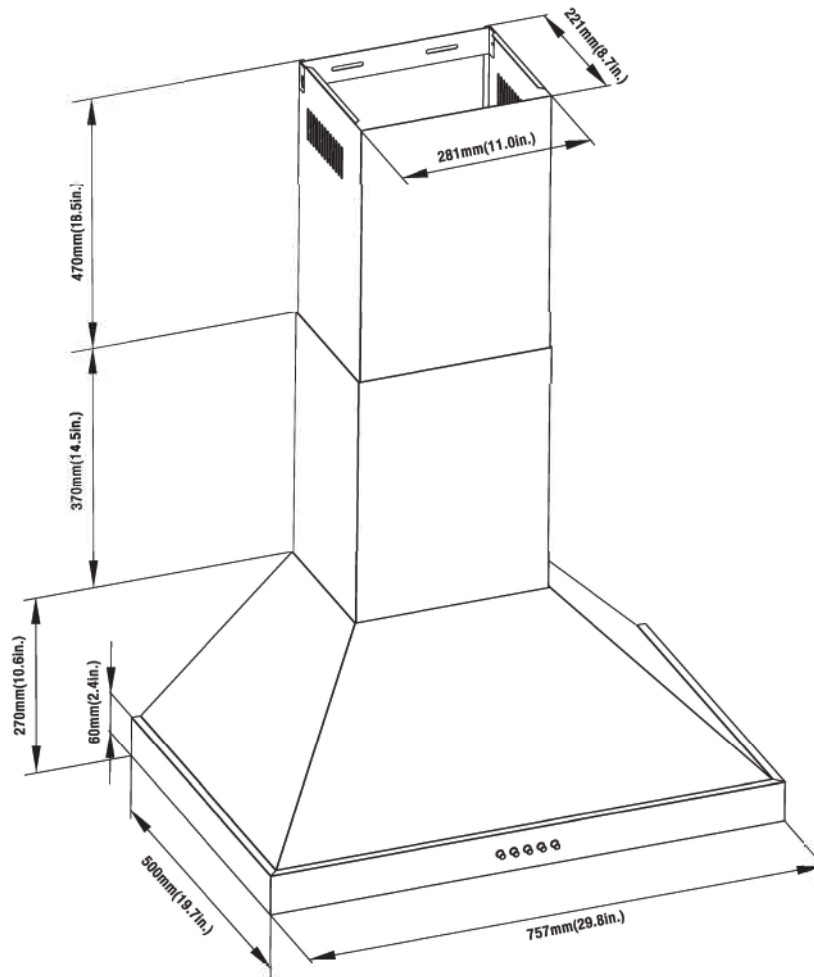


Pièce	Description	Quantité
A	Hotte de cuisine (y compris les filtres et les lampes)	1
B	Clapet (situé avec l'adaptateur de sortie d'air)	1
C	Support de montage pour cheminée	1
D	Bas de la cheminée	1
E	Haut de la cheminée	1

Pré-installation (suite)

SPÉCIFICATIONS

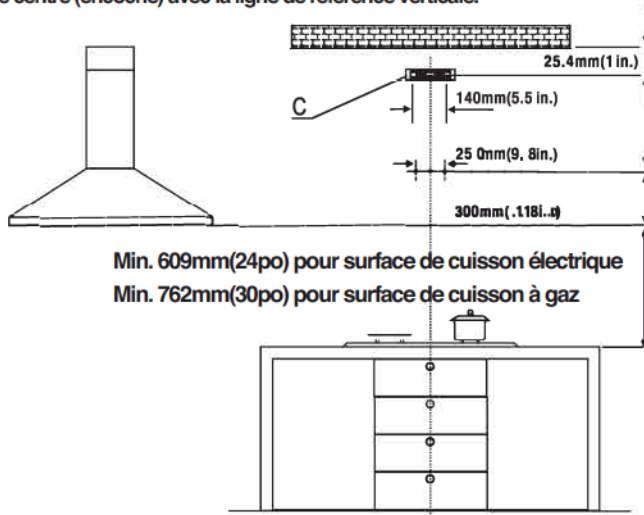
Dimensions	Volts	Hertz	Ventilateur CFM	Vitesses	Puissance de lampe	Grade d'acier inoxydable
WM-590BSS-30: 760mm (29.4 po) W	120	60	860	Élevée	1 x 5W	
480 mm (18.9 po.) D				Moyenne		
675-1150mm (26.5-45.2 po.) H				Faible		



Installation

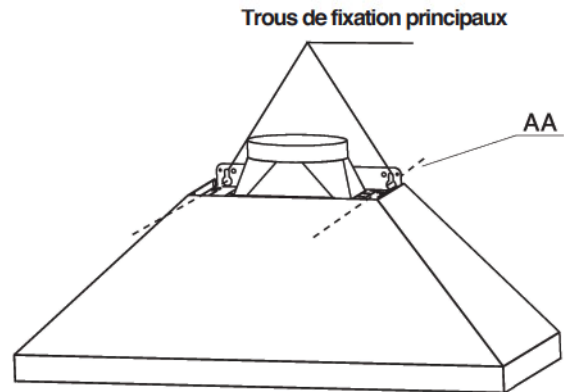
1 INSTALLATION FORAGE ET REVÊTEMENT

1. Tracez une ligne verticale sur le mur porteur jusqu'au plafond, ou aussi haut que possible, au centre de la zone dans laquelle la hotte sera installée.
2. Tracez une ligne horizontale à une hauteur minimale de 24 po et maximale de 30 pouces au-dessus de la surface de cuisson.
3. Placez le support de montage de la cheminée (c) sur le mur comme indiqué à environ 1 pouce du plafond ou de la limite supérieure en alignant le centre (encoche) avec la ligne de référence verticale.

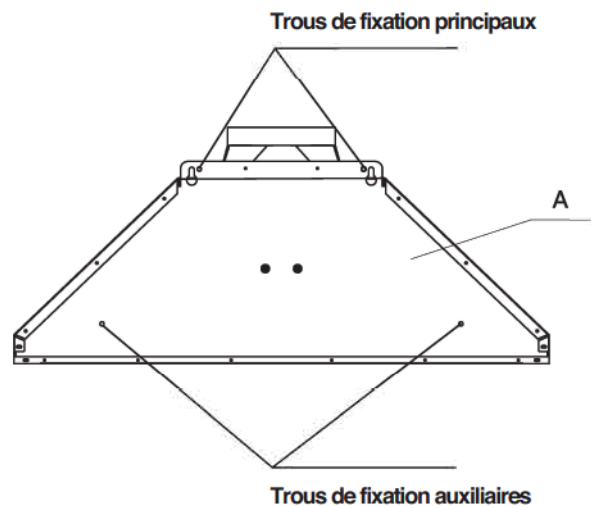


2 MONTAGE DE LA HOTTE

1. Montez les deux vis de fixation du corps de la hotte (AA) avec des ancrages pour cloisons sèches (BB) dans le mur le long de la ligne qui se trouve à 11 - 4/5 pouces au-dessus de la ligne horizontale. Assurez-vous que les vis et les ancrages (AA et BB) sont parallèles à la ligne horizontale.



2. Accrochez le corps de la hotte (A) aux vis (AA) montées sur le mur et serrez bien les vis (AA) pour fixer la hotte (A) au mur.
3. Installez deux vis supplémentaires (AA) de fixation de la hotte dans les trous de fixation auxiliaires pour maintenir la hotte (A) en place.



Installation (suite)

3 FIXATION DES CONDUITS

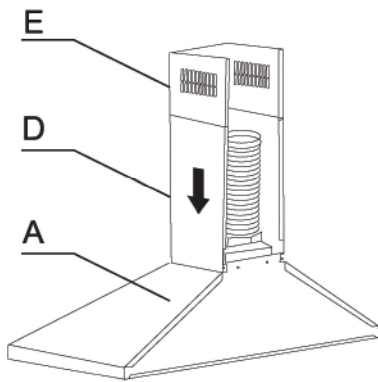


ATTENTION: Pour réduire le risque d'incendie, il est préférable d'utiliser des conduits métalliques. (Les conduits métalliques doivent être d'origine locale).

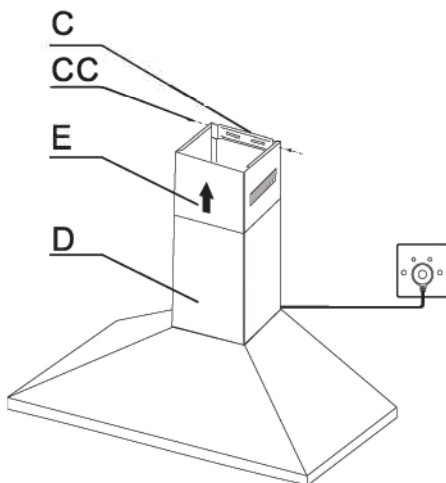
- Fixez une longueur adéquate de ϕ Conduit rond de 6 pouces (non inclus) sur le dessus de l'adaptateur de sortie.
- Vérifiez et appliquez correctement le ruban adhésif sur tous les joints des conduits pour assurer de bons raccordements.

1. ASSEMBLAGE TÉLESCOPIQUE DE LA CHEMINÉE

- Bas de la cheminée : Faites glisser avec précaution le bas de la cheminée (D) en partie vers le bas à l'extérieur du haut de la cheminée (E), puis placez avec précaution le bas de la cheminée (D) dans la zone en retrait du corps de la hotte (A).



- Haut de la cheminée: Assurez-vous que le support de montage de la cheminée (C) est bien fixé au mur. Soulevez le haut de la cheminée (E) à l'intérieur du bas de la cheminée (D). Fixez le haut de la cheminée (E) au support de montage de la cheminée (C) à l'aide des vis du support de montage de la cheminée (CC) sur deux côtés.



4 CONNEXIONS

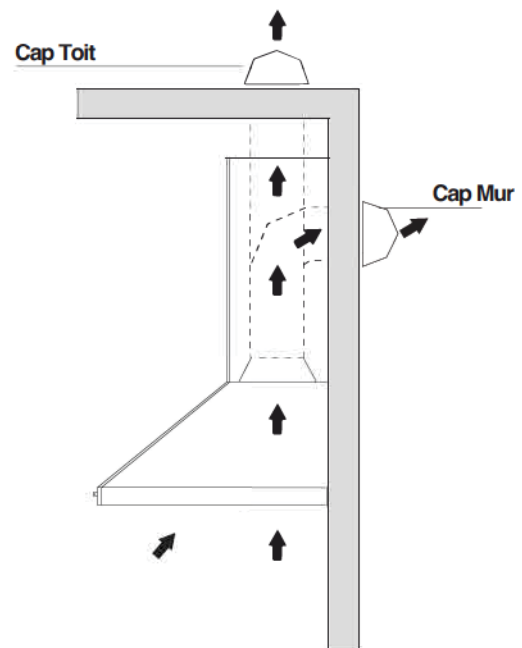
MODE CONDUIT



ATTENTION: Pour réduire le risque d'incendie, il est préférable d'utiliser des conduits métalliques. (Les conduits métalliques doivent être d'origine locale).

1. Décidez de l'endroit où les conduits (non inclus) passeront entre la hotte et l'extérieur.
2. Veuillez noter qu'un conduit droit et court permettra à la hotte de fonctionner plus efficacement.
3. Des longs conduits, coudés et transitions réduiront la performance de la hotte. Des conduits plus larges peuvent être nécessaires pour améliorer les performances en cas d'utilisation de conduits plus longs.
4. L'air ne doit pas être rejeté dans un conduit utilisé pour évacuer les fumées d'appareils brûlant du gaz ou d'autres combustibles. Les réglementations concernant l'évacuation de l'air doivent être respectées.
5. Installez un capuchon de toit/mur. Raccordez les conduits métalliques au capuchon et remonter vers l'emplacement de la hotte. Vérifiez tous les joints des conduits et appliquez du ruban adhésif pour assurer des raccordements adéquats.

(Le capuchon de toit/mur doit provenir d'une source locale)



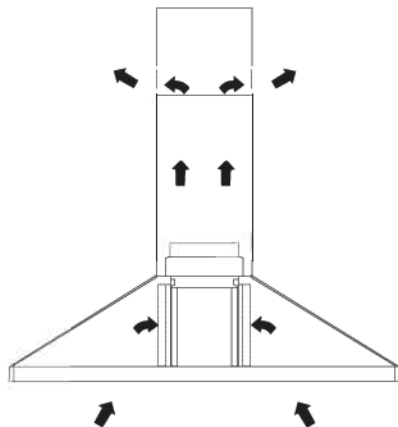
Installation (suite)

MODE NON-CONDUIT



ATTENTION: Ne pas utiliser de conduits en plastique ou en métal rigide.

1. Installez le filtre à charbon (non inclus).
2. Veuillez noter que l'air sortira par les deux grilles situées sur les deux côtés du haut de la cheminée.



CONNEXION ÉLECTRIQUE



AVERTISSEMENT: Le câblage électrique doit être effectué par une ou plusieurs personnes qualifiées conformément à tous les codes de normes applicables. Coupez l'alimentation électrique à l'entrée du service avant de procéder au câblage.



AVERTISSEMENT: Si le cordon d'alimentation est endommagé, il doit être remplacé par l'agent de service ou par une personne qualifiée afin d'éviter tout danger.



AVERTISSEMENT: Ne pas utiliser la fiche et une rallonge autres que celles fournies initialement avec la hotte.



AVERTISSEMENT: La mise à la terre de cette hotte est obligatoire. Ne pas retirer la broche de terre de la fiche.

OPÉRATION

1 FONCTIONNEMENT DES COMMANDES

RÉGLAGES:

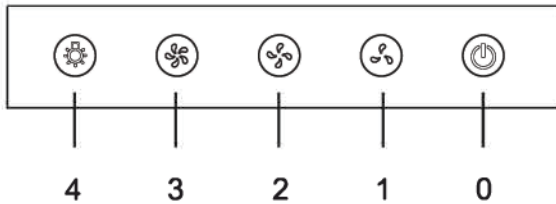
0 - MARCHÉ/ARRÊT

1 - VITESSE BASSE

2 - VITESSE MOYENNE

3 - VITESSE ÉLEVÉE

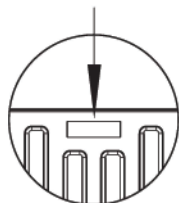
4 - LUMIÈRE



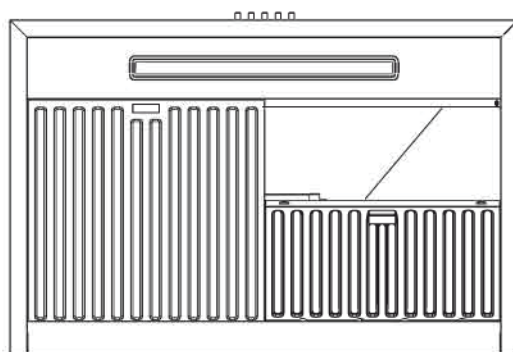
FILTRE ANTI-GRAISSE (CHICANES)

- Les filtres à graisse doivent être nettoyés fréquemment (tous les deux mois de fonctionnement, ou plus fréquemment en cas d'utilisation intensive). Utilisez une solution détergente chaude.
- Les filtres à graisse sont lavables.

(1) Pousser vers le bas



(2) Retirer



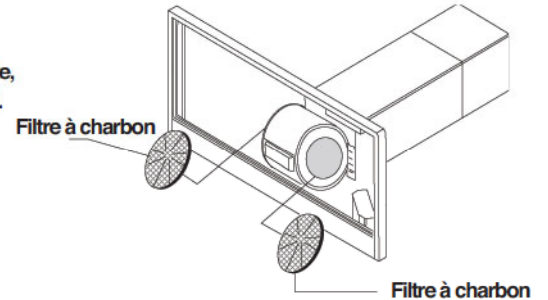
1. Retirez les filtres à graisse un à un en poussant vers le bas chaque loquet. Cela permettra de dégager les filtres de la hotte. Inclinez le filtre vers le bas et retirez-le.
2. Lavez les filtres en prenant soin de ne pas les plier. Laissez-les sécher avant de les remettre en place.
3. Lorsque vous remontez les filtres, veillez à ce que le loquet soit visible de l'extérieur.
4. Pour installer le filtre à graisse, alignez les languettes arrière du filtre avec les encoches de la hotte. Appuyez sur le loquet, poussez le filtre en position et lâchez. Assurez-vous que le filtre est bien enclenché après le montage.

MAINTENANCE (SUITE)

FILTRE À CHARBON À RECIRCULATION SANS CONDUIT (NON INCLUS)

- Ce filtre à charbon (non inclus) n'est pas lavable, ne peut pas être régénéré et doit être remplacé environ tous les trois mois de fonctionnement, ou plus fréquemment en cas d'utilisation intensive.

1. Retirez l'écran.
2. Les filtres à charbon (non inclus) doivent être appliqués sur l'unité d'aspiration à l'intérieur de la hotte, en les centrant à l'intérieur de celle-ci et en les tournant de 90 degrés jusqu'à ce qu'ils s'enclenchent.
3. Remettez l'écran en place.



ÉCLAIRAGE

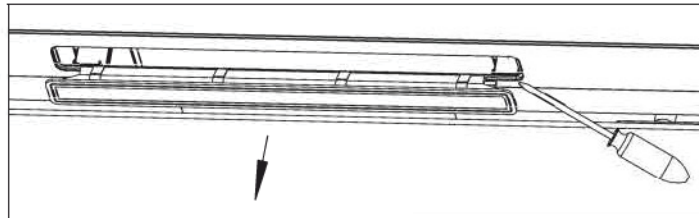


AVERTISSEMENT: Coupez toujours l'alimentation électrique avant d'effectuer toute opération sur l'appareil.



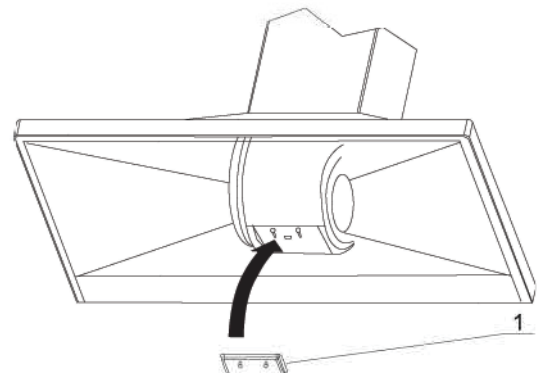
ATTENTION: La surface des lampes LED peut être chaude. Faites attention lorsque vous effectuez le remplacement.

- Cette hotte de cuisine nécessite une lampe LED (modèle #WA0876 avec 120V, 5W).
 - Pour remplacer la lampe LED :
1. Coupez l'alimentation et attendez 5 minutes jusqu'à ce que les ampoules refroidissent.
 2. Portez des gants et retirez l'ampoule en la tirant sur le côté.



CARTER D'HUILE

1. Le carter d'huile (1) est situé sur le ventilateur du moteur.
2. Le carter d'huile doit être nettoyé fréquemment. L'huile accumulée dans le carter d'huile ne peut pas être supérieure à la moitié. Utilisez une solution détergente chaude.
3. Laisser sécher avant de procéder au remontage.



ENTRETIEN ET NETTOYAGE



AVERTISSEMENT: Le non-respect des normes de base en matière d'entretien et de nettoyage de la hotte de cuisine augmente le risque d'incendie.

La hotte doit être nettoyée régulièrement à l'intérieur et à l'extérieur pour préserver son apparence et ses performances.

FAIRE

- Nettoyez périodiquement la hotte à l'eau chaude et savonneuse, ainsi qu'avec un chiffon en coton propre.
- Nettoyez toujours dans le sens des lignes de polissage d'origine.
- Toujours bien rincer à l'eau claire deux ou trois fois après le nettoyage. Essuyez complètement avec un chiffon doux et non abrasif.
- Après le nettoyage, vous pouvez polir avec un produit de polissage ou de nettoyage en acier inoxydable non abrasif. Frottez toujours légèrement et dans le sens du grain.
- Assurez-vous que le système de ventilation est exempt de débris, si vous en avez un.

NE PAS FAIRE

- Ne pas utiliser de détergents corrosifs ou abrasifs, ni de produits contenant du chlorure, du fluorure, de l'iodure ou du bromure sur ce produit, car ils détérioreront rapidement la surface.
- Ne pas laisser les produits de nettoyage, les solutions salines, les désinfectants ou les agents de blanchiment en contact avec le produit pendant de longues périodes.
- Ne pas laisser les dépôts rester pendant de longues périodes sur la hotte. Rincez immédiatement à l'eau et essuyez avec un chiffon propre.
- Ne pas laisser la hotte de cuisine sale pendant de longues périodes ou laisser la saleté s'accumuler.
- Ne pas laisser la poussière de plâtre ou tout autre résidu de construction pénétrer dans la hotte. Pendant la construction ou la rénovation, couvrez la hotte.
- Les produits combustibles utilisés pour le nettoyage, tels que l'acétone, l'alcool, l'éther ou le benzyle sont hautement explosifs et ne doivent jamais être utilisés à proximité d'une hotte de cuisine ou d'une cuisinière.

Dépannage



DANGER: Couper le disjoncteur ou l'interrupteur de la boîte de jonction avant d'installer ou de réparer cet appareil. Le contact avec les circuits à l'intérieur de la hotte de cuisine pendant qu'elle est sous tension peut entraîner la mort ou des blessures graves.

Problème	Solution
La hotte de cuisine ne fonctionne pas	<ul style="list-style-type: none"><input type="checkbox"/> Vérifiez que le câble d'alimentation électrique et tous les câbles électriques sont correctement connectés.<input type="checkbox"/> Vérifiez que le courant est bien branché au niveau de la boîte de jonction ou du disjoncteur.<input type="checkbox"/> Vérifiez que le câblage entre le tableau de distribution et le tableau de commande est correctement connecté.
La hotte de cuisine vibre lorsque le ventilateur fonctionne	<ul style="list-style-type: none"><input type="checkbox"/> Vérifiez que la hotte a été correctement fixée au mur ou à l'armoire. Resserrez-la en position, si nécessaire.<input type="checkbox"/> Vérifiez que le moteur est bien fixé en place. Si ce n'est pas le cas, serrez le moteur en place.<input type="checkbox"/> Vérifiez que le ventilateur n'est pas endommagé. Si c'est le cas, remplacez le ventilateur.
Le ventilateur semble être faible	<ul style="list-style-type: none"><input type="checkbox"/> Vérifiez que la taille du conduit utilisé est d'au moins 152 mm (6 pouces). La hotte de cuisine ne fonctionnera pas efficacement si la taille du conduit est insuffisante.<input type="checkbox"/> Vérifiez que le conduit n'est pas obstrué par des débris et que les mailles serrées du capuchon mural, le cas échéant, ne limitent pas le débit d'air.<input type="checkbox"/> Vérifiez que le clapet s'ouvre correctement, le cas échéant.
Les lumières fonctionnent, mais le ventilateur ne tourne pas, est bloqué ou fait des bruits de claquement.	<ul style="list-style-type: none"><input type="checkbox"/> Les lumières fonctionnent mais le ventilateur ne tourne pas, est bloqué ou fait des bruits de claquement.<input type="checkbox"/> Vérifiez que le ventilateur n'est pas coincé ou ne racle pas le fond.<input type="checkbox"/> Si rien d'autre ne fonctionne, le moteur peut être défectueux ou grippé. Si c'est le cas, remplacez le moteur.
La hotte de cuisine ne ventile pas correctement	<ul style="list-style-type: none"><input type="checkbox"/> Vérifiez que la distance entre la table de cuisson et le bas de la hotte est au minimum de 24 pouces.<input type="checkbox"/> Vérifiez que les conduits sont conformes à toutes les exigences. Utilisez des conduits métalliques d'un diamètre uniforme de 150 mm (6 po). Réduisez la longueur des conduits et le nombre de coudes si nécessaire. Assurez-vous que tous les joints sont correctement raccordés, scellés et recouverts de ruban adhésif.<input type="checkbox"/> Vérifiez que le conduit ne s'ouvre pas contre le vent.<input type="checkbox"/> Assurez-vous que la puissance est sur la haute vitesse pour les cuissons lourdes.<input type="checkbox"/> Le vent provenant de fenêtres ou de portes ouvertes peut affecter les performances de la hotte de cuisine. Fermez les fenêtres et les portes pour éliminer la circulation de l'air extérieur.
Une lumière ne fonctionne pas	<ul style="list-style-type: none"><input type="checkbox"/> Vérifiez si l'ampoule est desserrée. Si c'est le cas, serrez-la.<input type="checkbox"/> Retirez l'ampoule qui pose problèmes et insérez-en une dont vous savez qu'elle fonctionne. Si la lampe qui fonctionne correctement ne s'allume pas, le problème peut venir de l'assemblage de la lampe. Faites réviser ou remplacer l'ensemble de la lampe.

Schéma de câblage

Pour modèles : WM-590BSS-30

