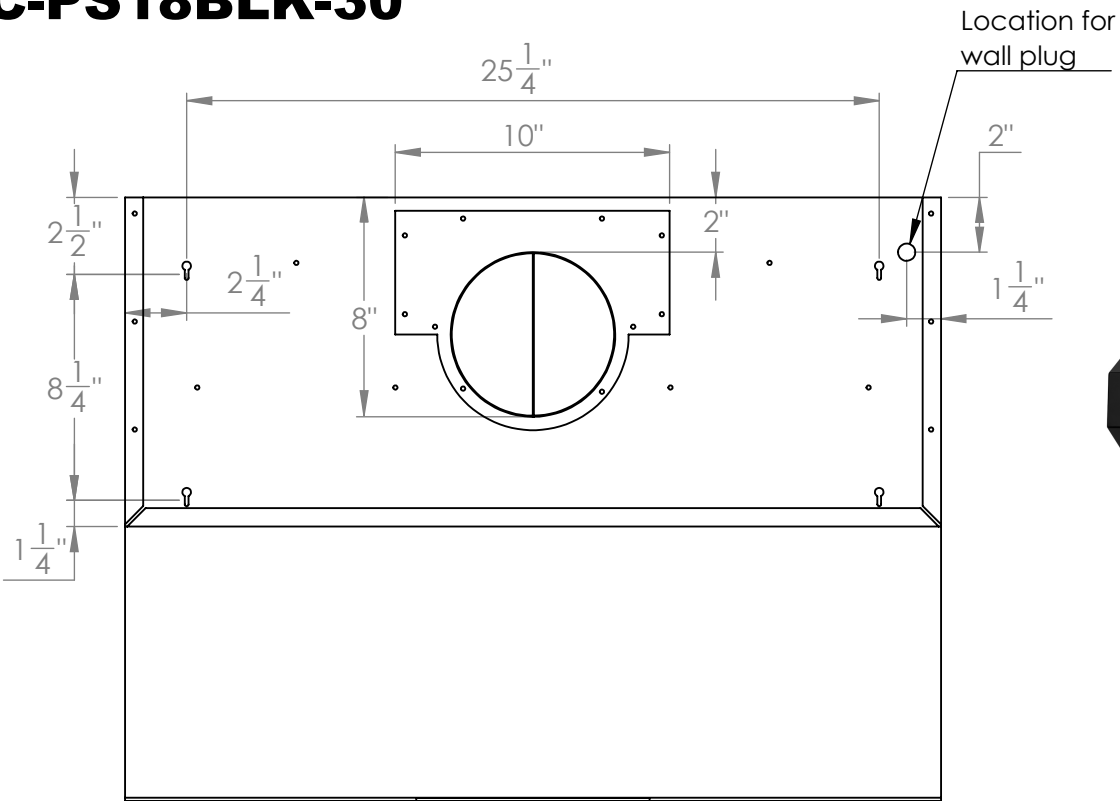
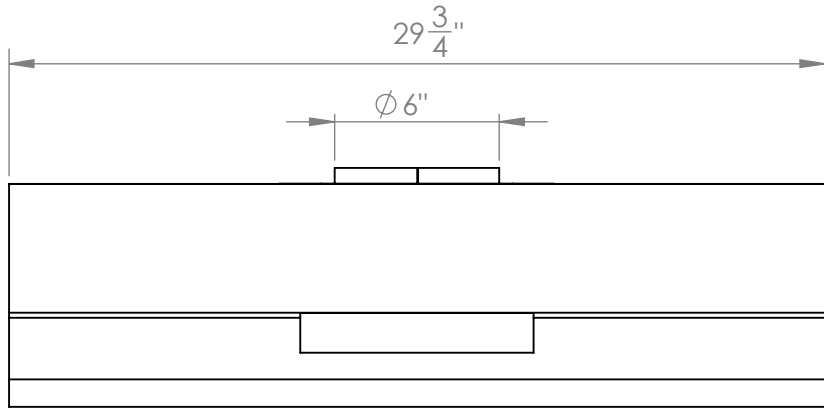


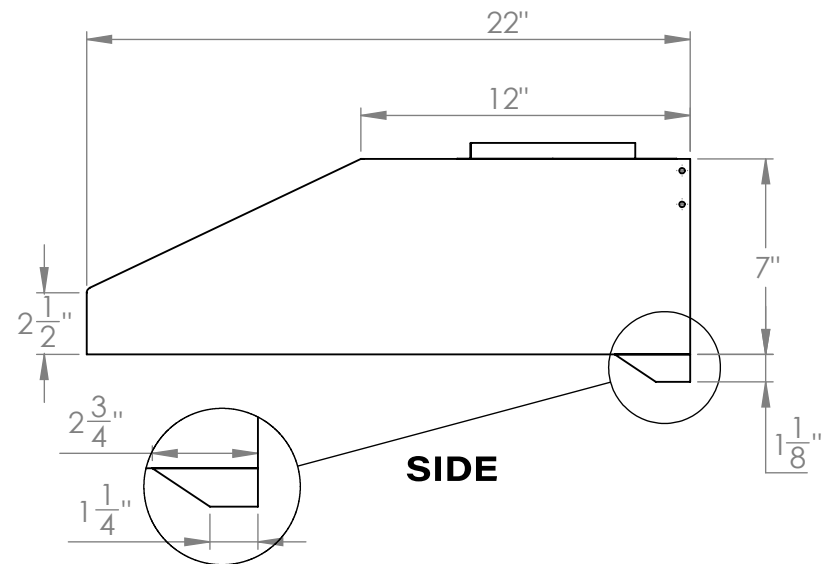
# UC-PS18BLK-30



**TOP**



**FRONT**

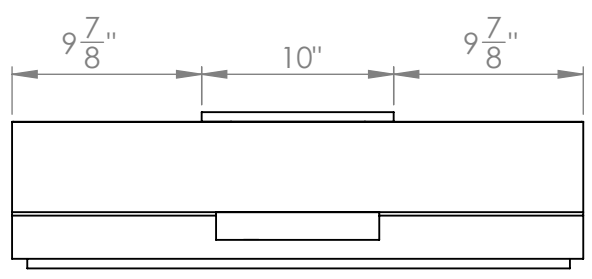


**SIDE**

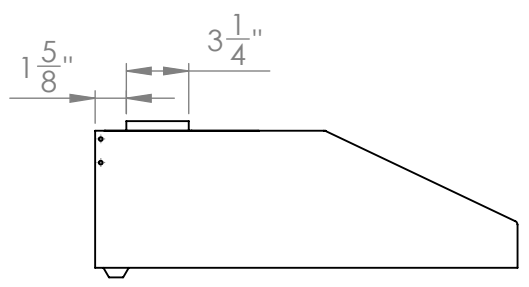
All measurements are in inches

# UC-PS18BLK-30

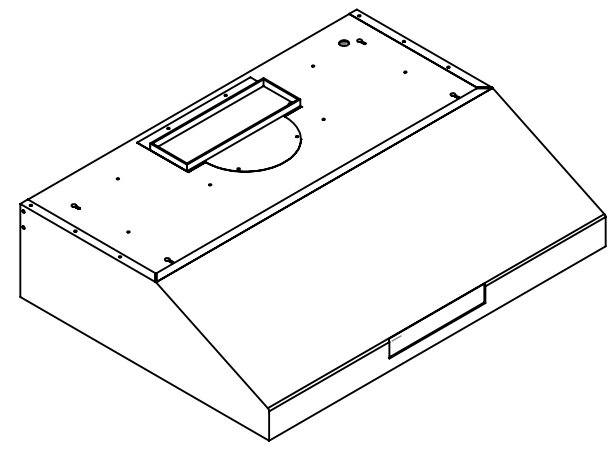
## Vertical Adapter



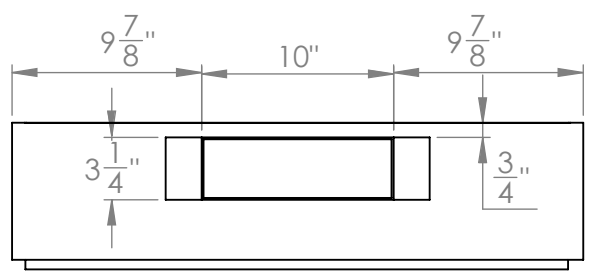
FRONT



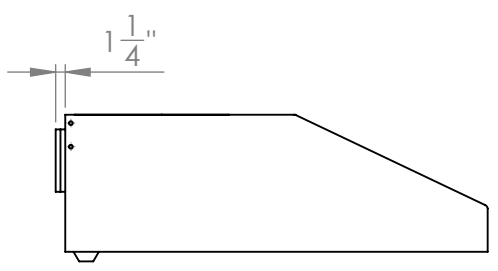
SIDE



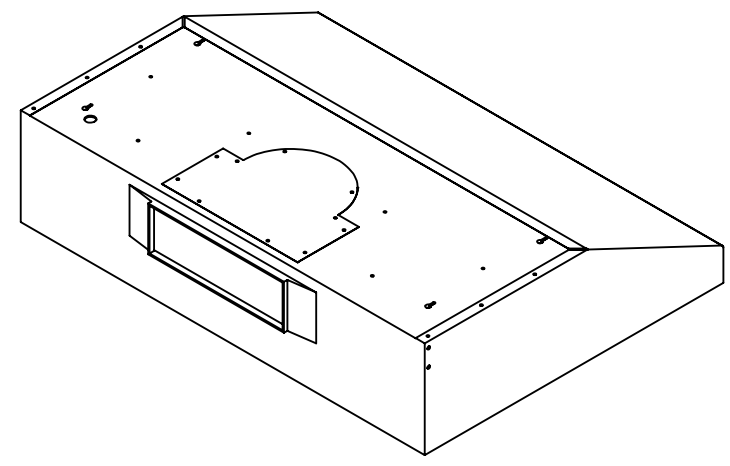
## Horizontal Adapter



BACK



SIDE



All measurements are in inches