



# HYDRAULIC LOG SPLITTER

## 10-TON SPLITTING FORCE | RAM FORCE

### OPERATOR'S MANUAL

A Division of Snow Joe®, LLC

**Model LJ10M**

Form No. SJ-LJ10M-880E-MR7

## IMPORTANT! Safety Instructions

### All Operators Must Read These Instructions Before Use

The operator must read and understand all safety and warning information, operating instructions, maintenance, and storage instructions before operating this equipment. Failure to properly operate and maintain the log splitter could result in serious injury to the operator or bystanders.

**⚠ DANGER!** This symbol indicates a hazardous situation, which, if not followed, will result in serious injury or death.

**⚠ WARNING!** This symbol indicates a hazardous situation, which, if not avoided, could result in serious injury or death.

**⚠ CAUTION!** This symbol indicates a hazardous situation, which, if not avoided, could result in minor or moderate injury.

### General Safety Warnings!

Anyone who intends to operate this tool must read and understand all the safety and other information contained in this manual before first use. Save this manual and review it frequently prior to using this tool and when instructing others on the proper operating procedures.

- 1. Keep work area clean and well-lit** – Set up the equipment and use it only on a flat and level surface in an outdoor, well-ventilated area.
- 2. Replacement parts** – When servicing this unit, use only identical replacement parts.
- 3. Keep children, bystanders, and pets away** – All spectators, including pets, should be kept a safe distance away from the work area.
- 4. Dress properly** – Do not wear loose clothing or jewelry as such articles can become caught in moving parts. Wear a protective covering to contain long hair. Wearing rubber gloves and substantial non-slip footwear is recommended when working outdoors.
- 5. Wear personal protective equipment** – When using this tool, wear safety glasses with side shields or goggles to provide necessary eye protection. Wear ear defenders to prevent hearing damage when necessary. Use a face or dust mask if the work environment is dusty.


- 6. Store idle tool indoors** – When not in use, the log splitter should be stored indoors in a dry and high or locked-up place out of the reach of children.
- 7. Maintain the log splitter with care** – Keep the log splitter clean for optimal performance and to reduce the risk of injury. Follow the additional recommendations described in the maintenance section of this manual.
- 8. Use the right tool** – Do not use the tool for any job except that for which it is intended.
- 9. Stay alert** – Watch what you are doing. Use common sense. Do not operate the log splitter when you are tired or under the influence of drugs, alcohol, or other medication.

### Operation Warnings

- Do not at any time carry passengers, sit, or stand on the log splitter.
- Do not allow children to play on, stand upon, or climb on the log splitter.
- Always inspect the log splitter before using to ensure it is in proper working order.
- Replace or repair damaged or worn parts immediately.
- Always use the splitter on a flat and level surface.
- Always check and tighten hardware and assembled parts before operation.
- Only use the log splitter for its intended purpose: splitting logs.
- Do not exceed the maximum permitted log length of 18 inch (46 cm) or the maximum permitted log diameter of 8 inch (20.3 cm).
- Always split wood in the direction of the grain. Do not split wood against the grain.
- Do not exceed the equipment's maximum load capacity of 10 tons.
- Never leave the log splitter unattended while operating the equipment.
- Keep area around the log splitter clear of debris to prevent injury.
- Always clear away wood pieces from the work area before splitting another log.
- Do not tow the log splitter with any motorized vehicles, such as lawn and garden tractors or ATVs.

## Crush + Cut Hazards

- Always keep hands and feet clear from moving and cutting parts while operating the equipment.
- Always clear the work area and keep it clean and free of debris when operating the log splitter.
- Always wear safety gear, including eye protection, heavy-duty gloves, and steel-toed boots, when operating the log splitter.










 **WARNING!** The warnings, cautions, and instructions outlined in this instruction manual cannot cover all possible conditions or situations that may occur. It must be understood by the operator that common sense and caution are factors that cannot be built into this product and must be supplied by the operator.

## Wood Condition

- This log splitter is designed to split standard size logs [max log diameter: 8 inch (20.3 cm); max log length 18 inch (46 cm); min log length: 13.5 inch (34.3cm)]. Do not split oversized logs.
- Do not attempt to split “hard” wood that requires more than 5 seconds to split.
- Check the log prior to splitting to ensure it is free from foreign objects that may be projected or cause damage to the machine (ie.: nails, wire, etc.).
- Ensure that the end of the log is cut square and all branches have been cut flush.

# Safety Symbols

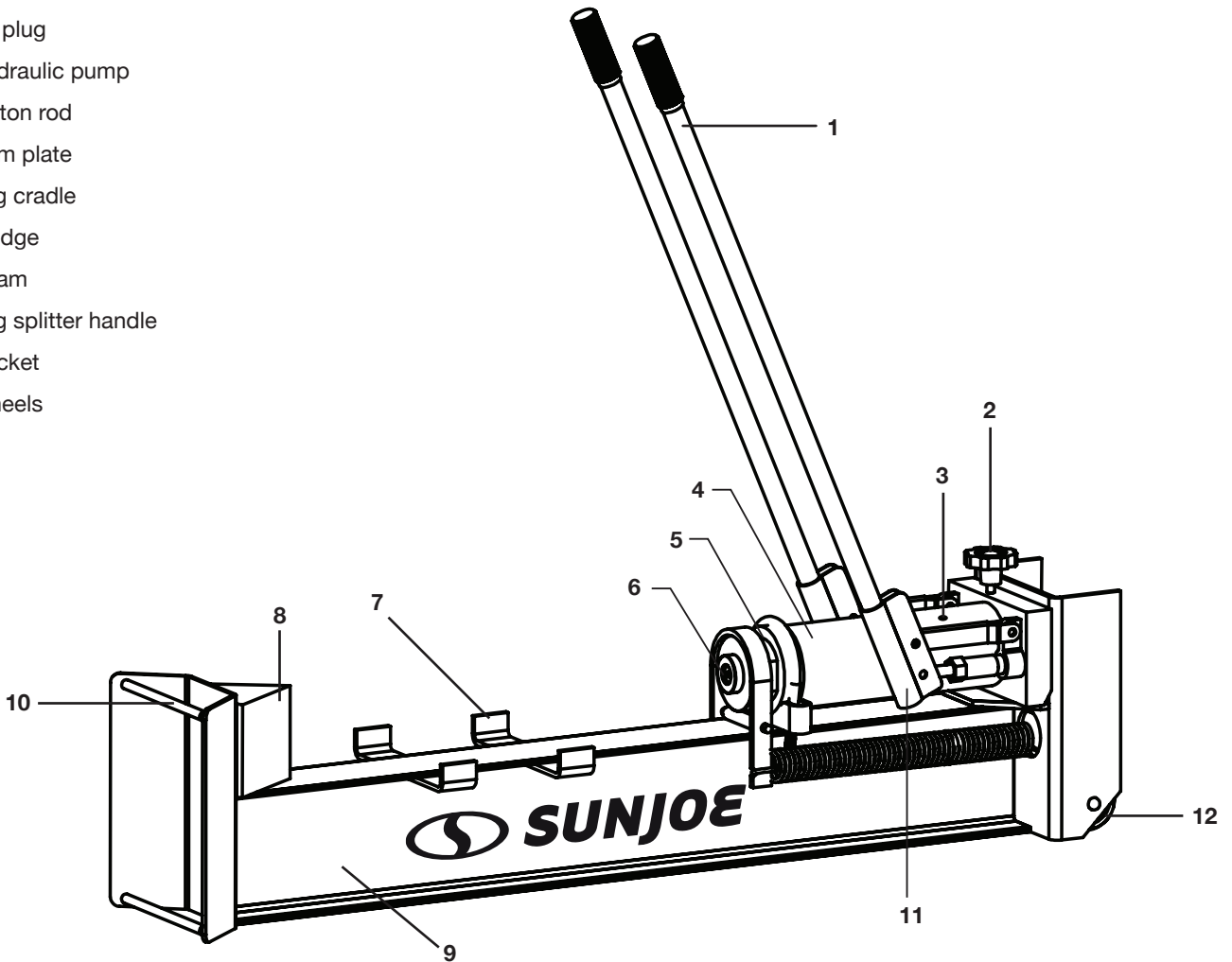
The following table depicts and describes safety symbols that may appear on this product. Read, understand, and follow all instructions on the machine before attempting to assemble and operate.

Symbols	Descriptions	Symbols	Descriptions
	<b>READ THE OPERATOR'S MANUAL(S)</b> – Read, understand, and follow all instructions in the user manual(s) before attempting to assemble and operate.		Keep bystanders and children a safe distance away.
	<b>SAFETY ALERT</b> – Indicates a precaution, a warning, or a danger.		<b>WARNING!</b> Do not expose the unit to rain or wet conditions.
	<b>WARNING!</b> Always be aware of the movement of the log splitter.		<b>WEAR EYE AND HEARING PROTECTION</b> – For protection against injury, wear ear defenders and safety goggles.
	Moving parts can crush and cut hands and fingers. Keep hands clear of the ram plate, wedge, and logs while splitting.	 	Wear heavy-duty gloves and steel-toed boots when using the machine and handling debris.

# Know Your Log Splitter

Read the owner's manual and safety instructions carefully before operating the log splitter. Compare the illustration below to the log splitter in order to familiarize yourself with the location of the various controls and adjustments. Save this manual for future reference.

1. Operating handles
2. Hand wheel
3. Oil plug
4. Hydraulic pump
5. Piston rod
6. Ram plate
7. Log cradle
8. Wedge
9. Beam
10. Log splitter handle
11. Socket
12. Wheels



## Technical Data

Splitting Force Max .....	10 ton	Hydraulic Cylinder Size .....	9.9 in. x 2.1 in.
Ram Force/Continuous Force .....	10 ton	(Length x Diameter)	(25.2 cm x 5.2 cm)
Material.....	Steel	Hydraulic Rod Size.....	11.6 in. x 1.7 in.
Log Length Max .....	18 in. (46 cm)	(Length x Diameter)	(29.3 cm x 4.3 cm)
Log Length Min .....	13.5 in. (34.3 cm)	Hydraulic Capacity .....	22 fl. oz. (0.65 l)
Log Diameter Max.....	8 in. (20.3 cm)	Wheel Size.....	2.48 in. (6.3 cm)
Wedge Height.....	3.9 in. (10 cm)	Net Weight.....	87 lbs (39.5 kg)
Beam Height.....	5.5 in. (14 cm)		

# Unpacking

## Carton Contents

- Log splitter
- Operating handles (2)
- Manuals with registration card

1. Carefully remove the log splitter and check to see that all of the above items are supplied.
2. Inspect the product carefully to make sure no breakage or damage occurred during shipping. If you find damaged or missing parts, DO NOT return the unit to the store. Please call the Snow Joe® + Sun Joe® customer service center at 1-866-SNOWJOE (1-866-766-9563).

**NOTE:** Do not discard the shipping carton and packaging material until you are ready to use the log splitter. The packaging is made of recyclable materials. Properly dispose of these materials in accordance with local regulations.

**IMPORTANT!** The equipment and packaging material are not toys. Do not let children play with plastic bags, foils, or small parts. These items can be swallowed and pose a suffocation risk!

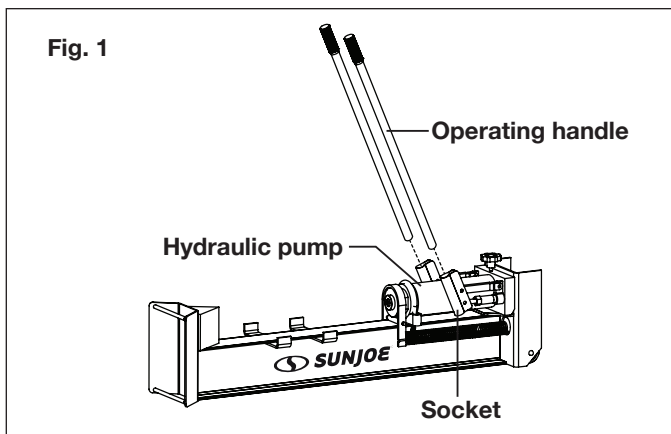
## Assembly

**IMPORTANT!** This product requires some assembly before use. Due to the weight and/or size of the log splitter, it is recommended that another adult be present to assist with the assembly.

**⚠ CAUTION!** Read and follow all instructions for assembly and operation. Failure to properly assemble this log splitter could result in serious injury to the user or bystanders, or cause equipment damage.

## Attaching the Handles

1. Insert the operating handles into the sockets on the hydraulic pump (Fig. 1).



# Operation

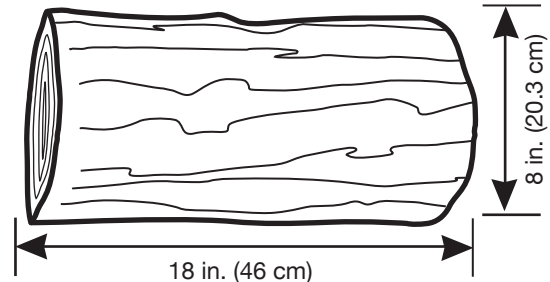
**⚠ WARNING!** Before using the log splitter, review the instructions below and all safety information. Failure to follow these instructions may result in property damage or injury to the operator or bystanders.

## Splitting Operation + Additional Safety Instructions

Follow these instructions to operate the log splitter:

1. Ensure all logs meet the proper size requirements [(max log diameter: 8 inch (20.3 cm); max log length: 18 inch (46 cm); min log length: 13.5 inch (34.3 cm)].

**IMPORTANT!** Logs vary in hardness and structure. Small logs with knots or harder wood may be more difficult to split. Larger logs with less hardness may not be difficult to split. Do not force the log splitter if the log fails to split on the first attempt.



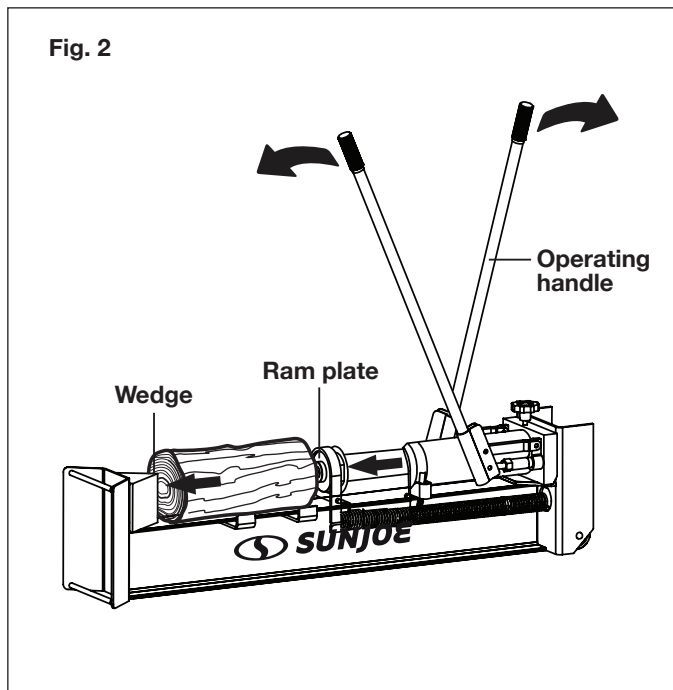
2. When loading or positioning a log, always handle the bark side; never handle the ends. Never place your hands or body parts between the log and the splitter.
3. Never load or unload logs while the ram is moving.
4. Do not pile logs to be split in a place where you need to reach across the splitter in order to load them.
5. Log ends need to be cut square (at a 90° angle) so that they do not slide out when splitting and cause a safety hazard, and so that they do not exert excessive force on the log splitter components. Use a chain saw (not included), like the Sun Joe® electric chain saws (models SWJ698E, SWJ699E, SWJ700E, SWJ701E; visit sunjoe.com to purchase online), to cut the logs ends square before attempting to split them.
6. Never attempt to split more than one log at a time. A piece of a log can unexpectedly be thrown from the machine, which can result in severe personal injury.
7. Do not use if there is any indication of damage to the hydraulic cylinder.
8. Do not use the splitter to split logs across the grain or against the bark. Doing so will damage the log splitter and could cause log pieces to be thrown, injuring the operator or bystanders.

**⚠️ WARNING!** Accidents occur when there is more than one person involved in loading and operating the log splitter; only one person should operate the splitter. If a second person is assisting in loading the splitter, NEVER allow an assistant to hold the log in place while the operator is using the unit.

## Using the 10-Ton Log Splitter

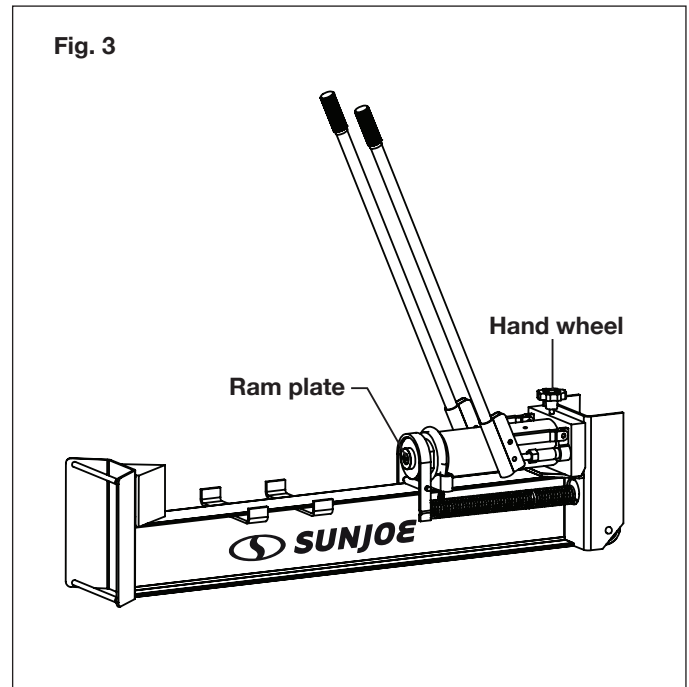
1. Load the log lengthwise into the unit between the wedge and the ram plate. Be sure that the split will be along the grain.
2. Grip one handle in each hand and pump the handles back and forth in opposite directions. This contrary motion will force the log against the wedge (Fig. 2).

**⚠️ DANGER!** Always operate the unit from the side of the operation handles, furthest from the wedge and the splitting log.



3. Remove the split pieces.
4. Turn the hand wheel counterclockwise no more than one full turn to relieve the pressure and retract the ram (Fig. 3).

5. Turn the hand wheel clockwise until it is snug (Fig. 3). You are now ready to split the next log.

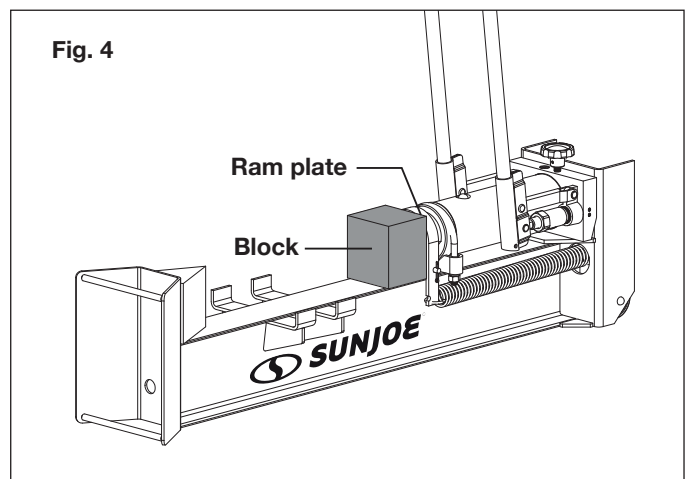


**⚠️ WARNING!** NEVER attempt to remove a stuck log from the splitter by forcing the use of the hydraulic ram to split the log.

**⚠️ WARNING!** NEVER modify the log splitter.

## Splitting a Short Log

This log splitter is designed to split logs between 13.5 inch (34.3 cm) and 18 inch (46 cm) in length. When the log is shorter than 13.5 inch, the ram plate may not be able to reach the log. In this case, place a wood block with flat surfaces in front of the ram plate before operating (Fig. 4). Very short logs may require an additional block.



**NOTE:** The block(s) used for extending the piston rod must be flat on all surfaces.

## Removing a Jammed Log

If the log gets stuck on the wedge base, or the wedge becomes embedded in the log and will not completely split or separate from the log, follow the directions below to remove the log:

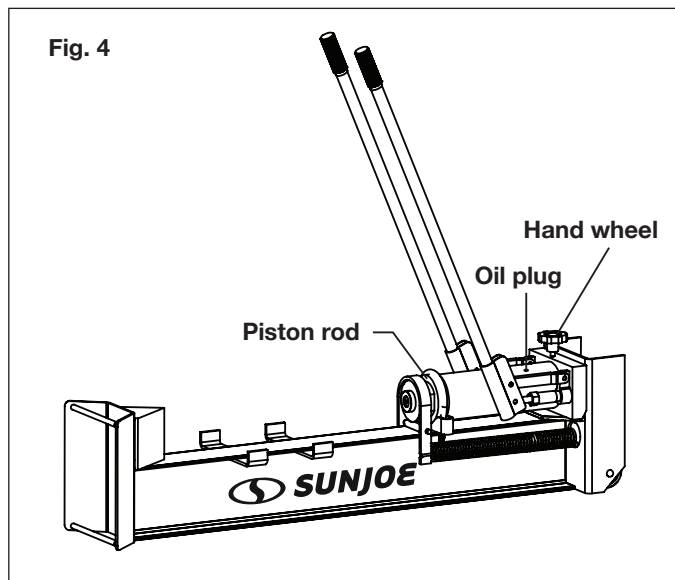
1. Fully retract the ram.
2. Remove the jammed log from the wedge manually with a pry bar.

**CAUTION!** Be extremely careful as log pieces may fly off as they separate from the wedge.

3. Do not attempt to re-split a jammed log once it has been removed from the wedge.
4. Manually split the log with a maul or cut it with a chain saw.

## Bleeding the Log Splitter

1. Extend the ram to its maximum length.
2. Remove the oil plug and make sure the oil level is full. If needed, add more hydraulic oil to the hydraulic pump (Fig. 4).



3. Turn the hand wheel counterclockwise as fast as possible. The piston rod will retract into the hydraulic pump and push the air out of the cylinder via the oil plug hole.
4. Check the oil level again, and if needed, add more hydraulic oil.
5. Replace the oil plug and repeat steps 1-3 as needed.
6. To add oil, remove the oil plug and add oil to just below the fill plug.
7. Replace the oil plug completely.

## Maintenance

**WARNING!** Periodically apply a light coat of rust-resistant oil, such as 3-in-1 oil or WD-40, to the springs to keep them in proper working order.

- Periodically check all fasteners for tightness.
- Annually clean and lightly lubricate parts.
- Use a glossy enamel spray paint to touch up scratched or worn painted metal surfaces.
- Never exceed the load capacity rating of 10 tons; doing so will damage the log splitter and void the manufacturer's warranty.

**IMPORTANT!** If a part needs replacement, only use parts that are specifically recommended by the manufacturer. Replacement parts that do not meet these specifications may result in a safety hazard, may compromise the tool's performance, and will void the manufacturer's warranty.

## Storage

- Before storing, make sure the log splitter is clean and dry. Such upkeep is necessary to ensure years of trouble-free performance.
- Make sure the ram is completely retracted prior to storing the unit. Relieve any pressure by turning the hand wheel counterclockwise, then retighten by turning the hand wheel clockwise.
- Lightly lubricate all metal surfaces before storing.
- Store indoors or in a dry, protected area during severe weather and during the winter months.
- Examine the log splitter thoroughly for worn, loose, or damaged parts. Should you need to repair or replace a part, contact an authorized Snow Joe® + Sun Joe® dealer or call the Snow Joe® + Sun Joe® customer service center at 1-866-SNOWJOE (1-866-766-9563) for assistance.

## Service and Support

If your Sun Joe® LJ10M log splitter requires service or maintenance, please call the Snow Joe® + Sun Joe® customer service center at 1-866-SNOWJOE (1-866-766-9563).

## Model and Serial Numbers

When contacting the company, reordering parts, or arranging service from an authorized dealer, you will need to provide the model and serial numbers, which can be found on the decal located on the housing of the unit. Copy these numbers into the space provided below.

Record the following numbers from the housing or handle of your new product:	
Model #:	_____
L   J   1   0   M   _____	Serial #:
_____	_____

# Troubleshooting

Problem	Possible Cause	Solution
Ram will not move.	<ol style="list-style-type: none"> <li>1. Hand wheel is open.</li> <li>2. Wedged wood under ram.</li> <li>3. Blocked hydraulic lines.</li> <li>4. Blocked control valve.</li> <li>5. Damaged control valve.</li> <li>6. Damaged cylinder piston.</li> </ol>	<ol style="list-style-type: none"> <li>1. Turn hand wheel clockwise until snug.</li> <li>2. Remove any foreign objects from below the ram.</li> <li>3. Flush and clean the splitter's hydraulic system.</li> <li>4. Flush and clean the splitter's control valve.</li> <li>5. Contact an authorized Snow Joe® + Sun Joe® dealer or call the Snow Joe® + Sun Joe® customer service center at 1-866-SNOWJOE (1-866-766-9563).</li> <li>6. Contact an authorized Snow Joe® + Sun Joe® dealer or call the Snow Joe® + Sun Joe® customer service center at 1-866-SNOWJOE (1-866-766-9563).</li> </ol>
Slow ram speed when extending or retracting.	<ol style="list-style-type: none"> <li>1. Slow pumping of the operating handles.</li> <li>2. Air or air bubbles in oil reservoir.</li> <li>3. Damaged control valve.</li> <li>4. Internal control valve leak.</li> <li>5. Internally damaged cylinder.</li> </ol>	<ol style="list-style-type: none"> <li>1. Move operating handles at a faster pace.</li> <li>2. Purge air from the splitter's hydraulic system.</li> <li>3. Contact an authorized Snow Joe® + Sun Joe® dealer or call the Snow Joe® + Sun Joe® customer service center at 1-866-SNOWJOE (1-866-766-9563).</li> <li>4. Contact an authorized Snow Joe® + Sun Joe® dealer or call the Snow Joe® + Sun Joe® customer service center at 1-866-SNOWJOE (1-866-766-9563).</li> <li>5. Contact an authorized Snow Joe® + Sun Joe® dealer or call the Snow Joe® + Sun Joe® customer service center at 1-866-SNOWJOE (1-866-766-9563).</li> </ol>
Wood will not split, or splits extremely slowly.	<ol style="list-style-type: none"> <li>1. Air or air bubbles in oil reservoir.</li> <li>2. Excessive control valve inlet vacuum.</li> <li>3. Low control valve setting.</li> <li>4. Internal control valve leak.</li> <li>5. Internally damaged cylinder.</li> </ol>	<ol style="list-style-type: none"> <li>1. Check for excessive air in hydraulic reservoir.</li> <li>2. Check control valve inlet hose for blockage or kinks.</li> <li>3. Contact an authorized Snow Joe® + Sun Joe® dealer or call the Snow Joe® + Sun Joe® customer service center at 1-866-SNOWJOE (1-866-766-9563).</li> <li>4. Contact an authorized Snow Joe® + Sun Joe® dealer or call the Snow Joe® + Sun Joe® customer service center at 1-866-SNOWJOE (1-866-766-9563).</li> <li>5. Contact an authorized Snow Joe® + Sun Joe® dealer or call the Snow Joe® + Sun Joe® customer service center at 1-866-SNOWJOE (1-866-766-9563).</li> </ol>





## SNOW JOE® + SUN JOE® CUSTOMER PROMISE

**ABOVE ALL ELSE**, Snow Joe, LLC (“Snow Joe”) is dedicated to you, our customer. We strive to make your experience as pleasant as possible. Unfortunately, there are times when a Snow Joe®, Sun Joe®, or Aqua Joe® product (“Product”) does not work or breaks under normal operating conditions. We think it’s important that you know what you can expect from us. That’s why we have a Limited Warranty (“Warranty”) for our Products.

---

### **OUR WARRANTY:**

Snow Joe warrants new, genuine, powered and non-powered Products to be free from defects in material or workmanship when used for ordinary household use for a period of two years from the date of purchase by the original, end-user purchaser when purchased from Snow Joe or from one of Snow Joe’s authorized sellers with proof of purchase. Because Snow Joe is unable to control the quality of its Products sold by unauthorized sellers, unless otherwise prohibited by law, this Warranty does not cover Products purchased from unauthorized sellers. If your Product does not work or there’s an issue with a specific part that is covered by the terms of this Warranty, Snow Joe will elect to either (1) send you a free replacement part, (2) replace the Product with a new or comparable product at no charge, or (3) repair the Product. How cool is that!

**This Warranty gives you specific legal rights, and you may also have other rights which vary from State to State.**

### **PRODUCT REGISTRATION:**

Snow Joe strongly encourages you to register your Product. You can register online at [snowjoe.com/register](https://snowjoe.com/register), or by printing and mailing in a registration card available online from our website, or calling our Customer Service Department at **1-866-SNOWJOE (1-866-766-9563)**, or by e-mailing us at [help@snowjoe.com](mailto:help@snowjoe.com). Failure to register your Product will not diminish your warranty rights. However, registering your Product will allow Snow Joe to better serve you with any of your customer service needs.

### **WHO CAN SEEK LIMITED WARRANTY COVERAGE:**

This Warranty is extended by Snow Joe to the original purchaser and original owner of the Product.

### **WHAT IS NOT COVERED?**

This Warranty does not apply if the Product has been used commercially or for non-household or rental applications. This Warranty also does not apply if the Product was purchased from an unauthorized seller. This Warranty also does not cover cosmetic changes that do not affect performance. Wearing parts like belts, augers, chains and tines are not covered under this Warranty, and can be purchased at [snowjoe.com](https://snowjoe.com) or by calling **1-866-SNOWJOE (1-866-766-9563)**.





# PARTIDOR DE TRONCOS HIDRÁULICO

## 9 TONELADAS MÉTRICAS DE FUERZA DE PARTICIÓN | EMPUJE

### MANUAL DEL OPERADOR

Una división de Snow Joe®, LLC

Modelo LJ10M

Forma No. SJ-LJ10M-880S-MR7

## ¡IMPORTANTE!

### Instrucciones de seguridad

### Todos los operadores deberán leer estas instrucciones antes del uso

El operador debe leer y entender toda la información y advertencias de seguridad, instrucciones de operación, mantenimiento e instrucciones de almacenamiento antes de operar este equipo. No operar ni mantener de forma apropiada este partidor de troncos puede resultar en lesiones severas al operador o a los espectadores.

**⚠ ¡PELIGRO!** Este símbolo indica una situación peligrosa que puede resultar en lesiones severas o la muerte.

**⚠ ¡ADVERTENCIA!** Este símbolo indica una situación peligrosa, la cual, de no evitarse, puede resultar en lesiones severas o la muerte.

**⚠ ¡PRECAUCIÓN!** Este símbolo indica una situación peligrosa, la cual, de no ser evitada, puede resultar en lesiones menores o moderadas.

### ¡Advertencias generales de seguridad!

Cualquier persona que vaya a operar esta herramienta debe leer y entender toda la información adicional y de otro tipo contenida en este manual antes del uso del partidor. Guarde este manual y revíselo con frecuencia antes de usar este partidor y al instruir a otras personas sobre cómo operarlo apropiadamente.

- 1. Mantenga el área de trabajo limpia y bien iluminada:** prepare el equipo y úselo solo sobre una superficie plana y nivelada, en un área de exteriores también nivelada apropiadamente.
- 2. Piezas de repuesto:** al reparar esta unidad, use solo piezas de repuesto idénticas.
- 3. Mantenga alejados a los transeúntes, niños y mascotas:** todos los espectadores, incluidas las mascotas, deberán estar a una distancia segura del área de trabajo.
- 4. Vístase adecuadamente:** no use ropa suelta o joyería, ya que dichos objetos pueden engancharse en las piezas

móviles. Utilice una cubierta protectora para contener cabellos largos. Al trabajar en exteriores, se recomienda usar guantes de hule y calzado protector anti-deslizante.

- 5. Use equipos de protección personal:** al usar esta herramienta, use gafas protectoras con cubiertas laterales o gafas de seguridad para entregar una protección ocular adecuada. De ser necesario, use protección auditiva con el fin de evitar daños a sus oídos. Use una máscara antipolvo o para el rostro si el entorno de trabajo es polvoriento.
- 6. Guarde la herramienta inactiva en interiores:** cuando no esté en uso, el partidor de troncos debe almacenarse bajo techo, en un lugar seco, alto o bajo llave, lejos del alcance de los niños.
- 7. Cuide el partidor de troncos:** manténgalo limpio para un óptimo rendimiento y reducir el riesgo de lesiones. Siga las recomendaciones adicionales descritas en la sección de mantenimiento de este manual.
- 8. Utilice la herramienta correcta:** no utilice la herramienta para ningún otro trabajo excepto para el cual está destinada.
- 9. Manténgase alerta:** vea lo que está haciendo. Utilice su sentido común. No opere el partidor de troncos cuando usted esté cansado o bajo la influencia de drogas o alcohol.

### Advertencias de operación

- No se pare, siente, ni transporte pasajeros sobre el partidor de troncos en ningún momento.
- No permita que los niños jueguen sobre, se paren encima de, o trepen al partidor de troncos.
- Inspeccione siempre el partidor de troncos antes de usarlo para asegurarse de que funcione correctamente.
- Reemplace o repare inmediatamente las partes dañadas o gastadas.
- Use siempre el partidor en una superficie plana y nivelada.
- Verifique y ajuste siempre los accesorios de montaje y partes ensambladas antes de la operación.
- Use el partidor de troncos únicamente para el propósito al que está destinado: partir troncos.
- No exceda la máxima longitud permitida de 18 plg (46 cm) o el máximo diámetro permitido de 8 plg (20.3 cm) del tronco.
- Siempre parta la madera siguiendo la dirección de la fibra. No parta la madera en contra de la dirección de la fibra.

- No exceda la máxima capacidad de fuerza de 9 toneladas métricas del partidor de troncos.
- Durante la operación del partidor de troncos, nunca lo deje sin atender.
- Mantenga el área alrededor del partidor de troncos sin ningún escombros para evitar lesiones.
- Retire siempre del área de trabajo pedazos de madera antes de partir otro tronco.
- No remolque el partidor de troncos con vehículos motorizados tales como tractores de jardín o vehículos todo-terreno.

### **Peligros de trituración y corte**

- Mantenga siempre las manos y pies alejados de las partes móviles y cortantes durante la operación del equipo.
- Limpie siempre el área de trabajo y manténgala libre de residuos al operar el partidor de troncos.
- Al operar el partidor de troncos, use siempre equipos protectores tales como protección ocular, guantes resistentes y botas con punta de acero.



**¡ADVERTENCIA!** Las advertencias, precauciones e instrucciones descritas en este manual de seguridad no pueden cubrir todas las posibles condiciones o situaciones que puedan darse. El operador debe entender que el sentido común y la precaución son factores que no pueden ser incorporados en este producto, y deben ser suministrados por el operador.

### **Condición de la madera**

- Este partidor de troncos está diseñado para partir troncos de tamaño estándar (diámetro máximo de tronco: 8 plg [20.3 cm]; longitud máxima de tronco: 18 plg [46 cm]; longitud mínima de tronco: 13.5 plg [34.3 cm]). No parta troncos demasiado grandes.
- No intente partir madera “dura” que requiera más de cinco segundos para ser partida.
- Verifique el tronco antes de partirlo para asegurarse de que esté libre de objetos extraños que puedan ser disparados o dañar la máquina (es decir, clavos, alambres, etc.).
- Asegúrese de que el extremo del tronco esté cortado de forma recta (en un ángulo de 90°) y todas las ramas hayan sido cortadas al ras.

# Símbolos de seguridad

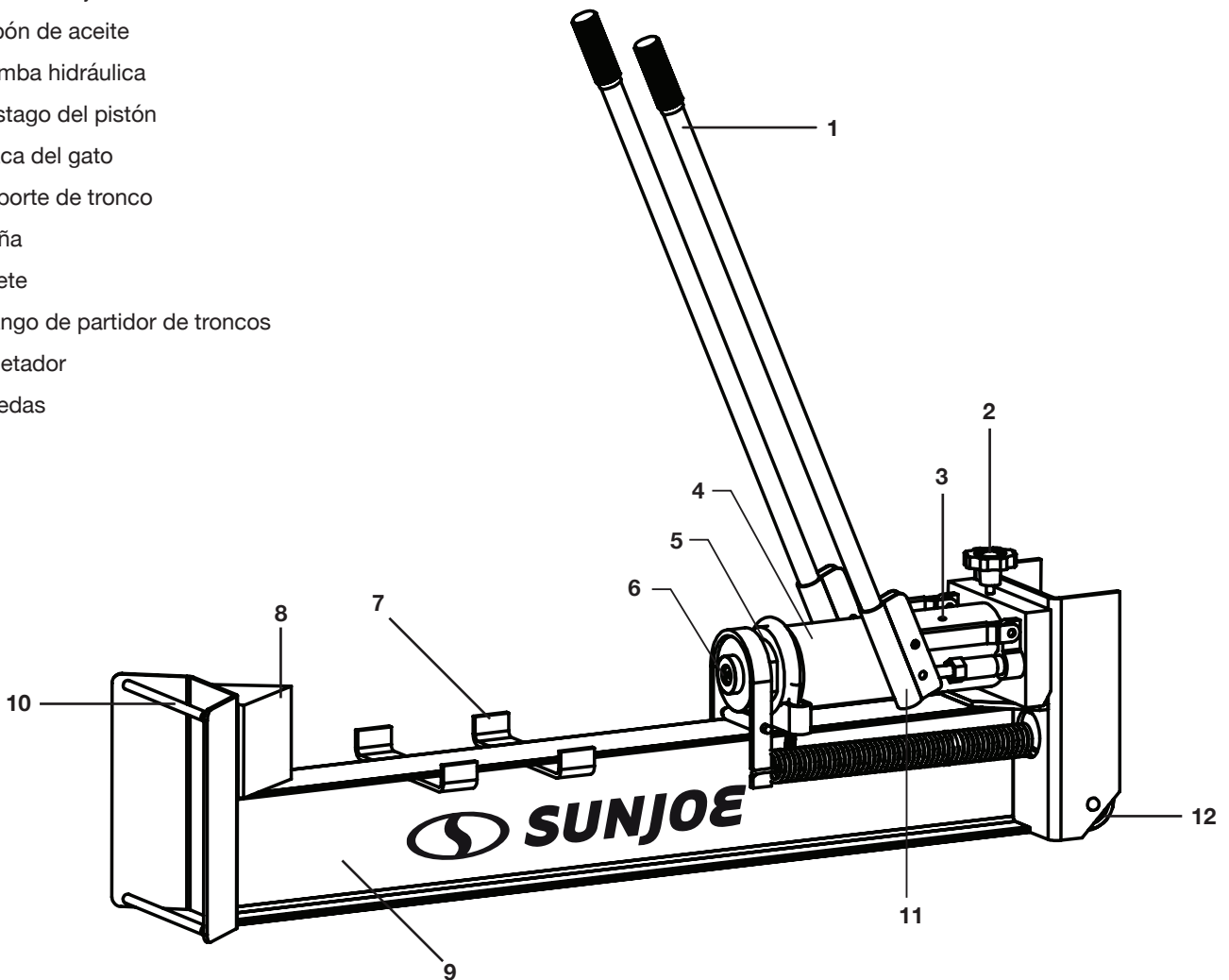
La siguiente tabla muestra y describe los símbolos de seguridad que pueden aparecer en este producto. Lea, comprenda y siga todas las instrucciones relacionadas a la unidad antes de intentar ensamblarla y operarla.

Símbolo	Descripción	Símbolo	Descripción
	<b>LEA EL(LOS) MANUAL(ES) DEL OPERADOR:</b> lea, comprenda y siga todas las instrucciones en el(los) manual(es) antes de intentar ensamblar y operar la unidad.		Mantenga a los transeúntes y niños alejados a una distancia segura.
	<b>ALERTA DE SEGURIDAD:</b> indica una precaución, advertencia o peligro.		<b>¡ADVERTENCIA!</b> No exponga la unidad a la lluvia o a condiciones húmedas.
	<b>¡ADVERTENCIA!</b> Esté siempre atento al movimiento del partidor de troncos.		<b>USE PROTECCIÓN OCULAR Y AUDITIVA:</b> para protegerse contra lesiones, use protectores auditivos y gafas protectoras.
	Las partes móviles pueden triturar y cortar manos y dedos. Mantenga las manos alejadas de la placa del gato, cuña y troncos durante la partición.		Use guantes de alta resistencia y botas con punta de acero al usar la máquina y manipular escombros.

# Conozca su partidor de troncos

Lea detenidamente el manual del propietario y las instrucciones de seguridad antes de operar el partidor de troncos. Compare la siguiente ilustración con el partidor de troncos para familiarizarse con la ubicación de los diversos controles y ajustes. Guarde este manual para futuras referencias.

1. Palancas de operación
2. Rueda de ajuste manual
3. Tapón de aceite
4. Bomba hidráulica
5. Vástago del pistón
6. Placa del gato
7. Soporte de tronco
8. Cuña
9. Ariete
10. Mango de partidor de troncos
11. Sujetador
12. Ruedas



## Datos técnicos

Fuerza de partición máxima.....	9 toneladas métricas	Altura de ariete .....	5.5 plg (14 cm)
Fuerza de empuje/continua.....	9 toneladas métricas	Tamaño de cilindro hidráulico.....	9.9 plg x 2.1 plg (25.2 cm x 5.2 cm)
Material.....	Acero	Tamaño de pistón hidráulico .....	11.6 plg x 1.7 plg (29.3 cm x 4.3 cm)
Longitud de tronco máxima .....	18 plg (46 cm)	Capacidad hidráulica .....	22 fl oz (0.65 L)
Longitud de tronco mínima .....	13.5 plg (34.3 cm)	Tamaño de rueda.....	2.48 plg (6.3 cm)
Diámetro de tronco máximo.....	8 plg (20.3 cm)	Peso neto .....	87 lbs (39.5 kg)
Altura de cuña .....	3.9 plg (10 cm)		

# Desembalaje

## Contenido del paquete

- Partidor de troncos
- Palancas de operación (2)
- Manuales con tarjeta de registro

1. Retire cuidadosamente el partidor de troncos y compruebe que todos los artículos anteriores estén incluidos.
2. Inspeccione cuidadosamente el producto para asegurarse de que no haya ocurrido ningún daño o ruptura durante el transporte. Si alguna parte está dañada o extraviada, NO DEVUELVA la unidad a la tienda. Comuníquese con la central de servicio al cliente Snow Joe® + Sun Joe® llamando al 1-866-SNOWJOE (1-866-766-9563).

**NOTA:** no se deshaga de la caja de transporte ni de las partes de embalaje hasta que usted esté listo para usar su partidor de troncos. La caja y el embalaje están hechos de materiales reciclables. Deseche estos materiales en conformidad a los reglamentos locales.

**¡IMPORTANTE!** El equipo y los materiales de embalaje no son juguetes. No deje que los niños jueguen con bolsas plásticas, láminas o piezas pequeñas. ¡Estos objetos pueden ser tragados y representan un riesgo de asfixia!

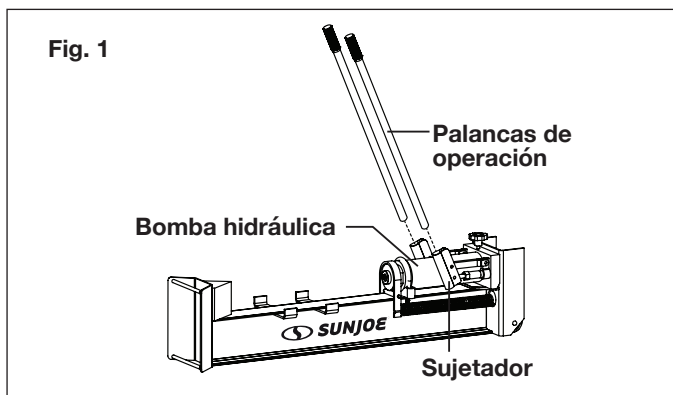
## Ensamblado

**¡IMPORTANTE!** Este producto requiere ser ensamblado antes de su uso. Debido al peso y/o tamaño del partidor de tronco, se recomienda que otro adulto esté presente para ayudar con el ensamblado.

**⚠ ¡PRECAUCIÓN!** Lea y siga todas las instrucciones para el ensamblado y operación. No ensamblar adecuadamente este partidor de troncos puede resultar en lesiones severas al usuario o a los transeúntes, o causar daños al equipo.

## Conexión de las palancas

1. Inserte las palancas de operación en los encajes de la bomba hidráulica (Fig. 1).



# Operación

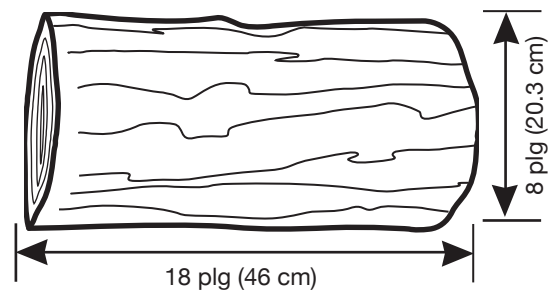
**⚠ ¡ADVERTENCIA!** Antes de usar el partidor de troncos, revise las siguientes instrucciones y toda la información de seguridad. No seguir estas instrucciones puede resultar en daños a la propiedad o lesiones al operador o a los espectadores.

## Operación de partición e instrucciones adicionales de seguridad

Siga estas instrucciones para la operación del partidor de troncos:

1. Asegúrese de que todos los troncos tengan las medidas apropiadas (diámetro máximo: 8 plg [20.3 cm]; longitud máxima: 18 plg [46 cm]; longitud mínima: 13.5 plg [34.3 cm]).

**¡IMPORTANTE!** Los troncos varían en dureza y estructura. Los troncos pequeños con nudos o de madera más dura pueden ser más difíciles de partir. Los troncos más grandes, menos duros, pueden no ser difíciles de partir. No fuerce el partidor de troncos si el tronco no se parte al primer intento.



2. Al cargar o colocar un tronco, manipule siempre el lado de la corteza, nunca los extremos. Nunca coloque sus manos o partes del cuerpo entre el tronco y el partidor.
3. Nunca cargue o descargue troncos mientras el gato esté en movimiento.
4. No acumule troncos a ser partidos en un lugar donde usted tenga que alcanzar troncos por encima del partidor para cargarlos.
5. Los extremos del tronco tienen que ser cortados de forma recta (en un ángulo de 90°), de manera que no se resbalen hacia afuera durante el proceso de partición y causen un peligro de seguridad, y de manera que no ejerzan una fuerza excesiva en los componentes del partidor de troncos. Use una motosierra (no incluida), tal como una de las motosierras eléctricas de Sun Joe® (modelos SWJ698E, SWJ699E, SWJ700E, SWJ701E; visite sunjoe.com para comprarlas) para cortar de forma recta los extremos del tronco antes de intentar partirlo.
6. Nunca intente partir más de un tronco a la vez. Un pedazo de tronco puede ser lanzado de forma inesperada desde la máquina, resultando en lesiones personales severas.

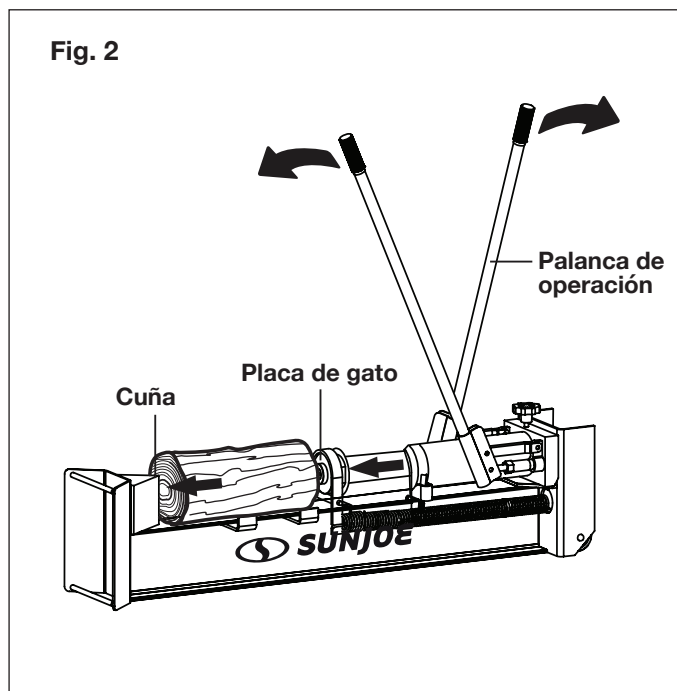
- No use el partidor si hay algún indicio de daños al cilindro hidráulico.
- No use el partidor para partir troncos a través de la fibra o contra la corteza. El hacerlo dañará el partidor de troncos y puede causar que los pedazos de tronco sean lanzados violentamente, lesionando al operador o a los espectadores.

**⚠ ¡ADVERTENCIA!** Los accidentes ocurren cuando hay más de una persona involucrada en la carga y operación del partidor de troncos. El partidor debe ser operado solo por una persona. Si una segunda persona ayuda a cargar troncos al partidor, NUNCA permita que un asistente sujete el tronco en su lugar mientras que el operador use la unidad.

## Uso del partidor de troncos de 9 toneladas métricas de fuerza

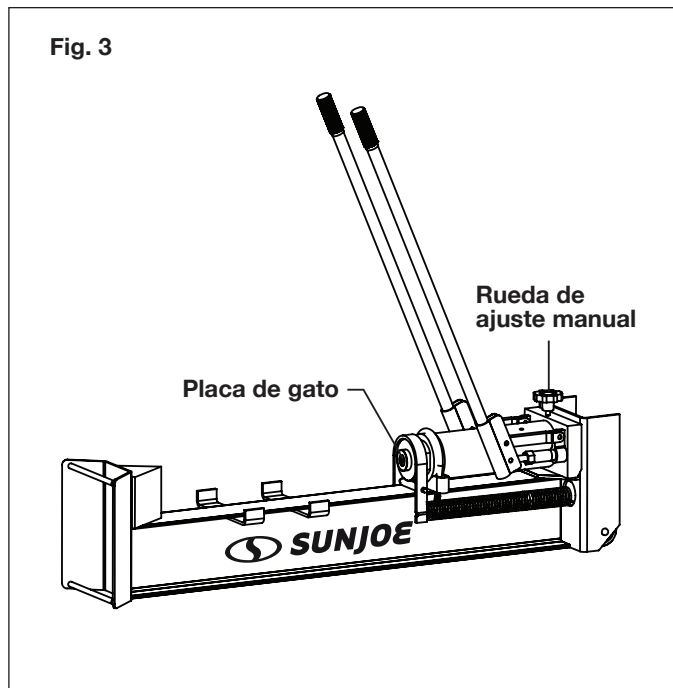
- Cargue el tronco de forma longitudinal en la unidad, entre la cuña y la placa del gato. Asegúrese de que la partición se haga a lo largo de la fibra.
- Agarre las dos palancas, una con cada mano, y bombee las palancas hacia atrás y hacia adelante, en direcciones opuestas. Este movimiento contrario empujará el tronco contra la cuña (Fig. 2).

**⚠ ¡ADVERTENCIA!** Opere siempre la unidad desde el lado de las palancas de operación, lo más alejado de la cuña y del tronco a ser partido.



- Retire los pedazos de tronco partidos.
- Gire la rueda de ajuste manual en sentido antihorario, no más de una vuelta completa, para liberar la presión y retraer el gato (Fig. 3).

- Gire la rueda de ajuste manual en sentido horario hasta que esté bien ceñida (Fig. 3). Usted está ahora listo para partir el siguiente tronco.

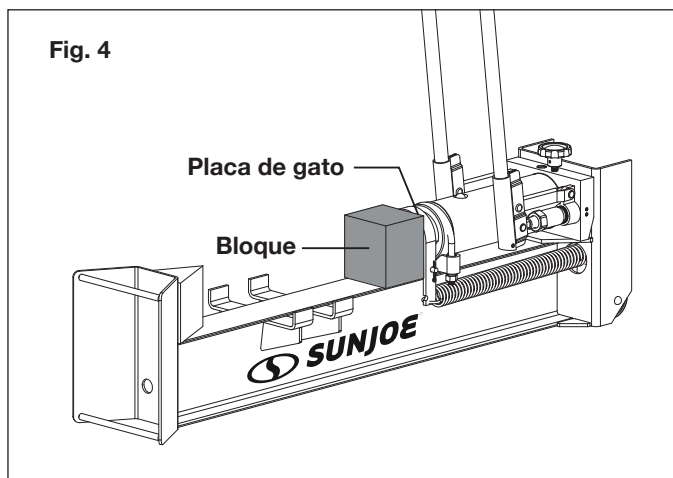


**⚠ ¡ADVERTENCIA!** NUNCA intente retirar un tronco atascado en el partidor forzando el uso del gato hidráulico para partir el tronco.

**⚠ ¡ADVERTENCIA!** NUNCA modifique el partidor de troncos.

## Partir un tronco corto

Este partidor de troncos está diseñado para partir troncos entre 13.5 plg (34.3 cm) y 18 plg (46 cm) de largo. Cuando el tronco es más corto que 13.5 plg (34.3 cm), la placa de gato puede no alcanzar el tronco. Si esto ocurre, coloque un bloque de madera con superficies planas frente a la placa de gato antes de operar la unidad (Fig. 4). Los troncos muy cortos pueden requerir un bloque adicional.





## Retiro de un tronco atascado.

Si el tronco se atasca en la base de la cuña, o si la cuña se entierra en el tronco y no parte por completo el tronco, ni se separa de éste, siga las siguientes instrucciones para retirar el tronco:

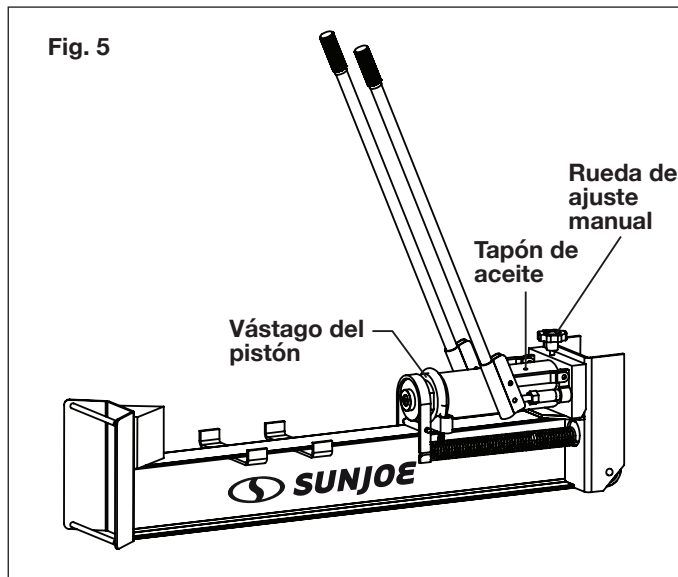
1. Retraiga por completo el gato.
2. Retire de forma manual el tronco atascado de la cuña, usando una barra de apalancamiento.

**⚠ ¡PRECAUCIÓN!** Tenga mucho cuidado: las piezas del tronco pueden salir disparadas violentamente al ser separadas de la cuña.

3. No intente volver a partir un tronco atascado una vez que ha sido retirado de la cuña.
4. Parta el tronco de forma manual con un mazo, o córtelo con una motosierra.

## Purgado del partidor de troncos

1. Extienda el gato a su máxima longitud.
2. Retire el tapón de aceite y asegúrese de que el nivel de aceite esté al máximo. De ser necesario, agregue más aceite hidráulico a la bomba hidráulica (Fig. 5).



3. Gire la rueda de ajuste manual en sentido antihorario y tan rápido como sea posible. El vástago del pistón se retraerá hacia dentro de la bomba hidráulica y empujará el aire hacia fuera del cilindro, a través del orificio del tapón de aceite.
4. Vuelva a revisar el nivel de aceite. De ser necesario, agregue más aceite hidráulico.
5. Vuelva a colocar el tapón de aceite y repita los pasos 1, 2 y 3 de ser necesario.
6. Para añadir aceite, retire el tapón de aceite y eche aceite hasta casi llegar al tope de llenado.
7. Vuelva a colocar el tapón de aceite de forma segura.

## Mantenimiento

**⚠ ¡ADVERTENCIA!** Aplique de forma periódica a los resortes una capa ligera de aceite contra el óxido, tal como 3-in-1 o WD-40, con el fin de mantenerlos en buenas condiciones de operación.

- Compruebe periódicamente que todos los sujetadores estén bien ajustados.
- Una vez al año, limpie y lubrique ligeramente las partes.
- Use pintura en aerosol de esmalte brillante para retocar las superficies de metal rasguñadas o con la pintura gastada.
- Nunca exceda la capacidad nominal estándar de 9 toneladas métricas. Hacerlo dañará al partidor de troncos e invalidará la garantía del fabricante.

**¡IMPORTANTE!** Si una parte necesita ser reemplazada, use solo partes específicamente recomendadas por el fabricante. Las partes de repuesto que no cumplan con estas especificaciones pueden resultar en un peligro de seguridad y comprometer el rendimiento de la herramienta, además de invalidar la garantía del fabricante.

## Almacenamiento

- Antes de almacenar el partidor de troncos, asegúrese de que éste se encuentre limpio y seco. Dicha mantenimiento es necesaria para garantizar años de funcionamiento sin problemas.
- Antes de guardar la unidad, asegúrese de que el gato esté completamente retraído. Libere cualquier presión girando la rueda de ajuste manual en sentido antihorario, y luego reajústela girándola en sentido horario.
- Lubrique ligeramente todas las superficies de metal antes de almacenar el partidor.
- Guarde la unidad en interiores o en un área seca y protegida contra condiciones climáticas severas y durante el invierno.
- Examine cuidadosamente el partidor de troncos en búsqueda de partes gastadas, perdidas o dañadas. En caso de necesitar una reparación o reemplazar una de las partes, contacte a un concesionario autorizado Snow Joe® + Sun Joe®, o comuníquese con la central de servicio al cliente Snow Joe® + Sun Joe® llamando al 1-866-SNOWJOE (1-866-766-9563) para obtener asistencia.

# Asistencia y servicio

Si su partidor de troncos LJ10M de Sun Joe® requiere servicio o mantenimiento, comuníquese con la central de servicio al cliente Snow Joe® + Sun Joe® llamando al 1-866-SNOWJOE (1-866-766-9563).

## Modelo y número de serie

Al contactar a la empresa, ordenar piezas de repuesto o programar una reparación en un centro autorizado, usted necesitará proporcionar el modelo y número de serie del producto, los cuales se encuentran en la etiqueta ubicada en la carcasa de la unidad. Copie estos números en el espacio proporcionado a continuación.

<b>Registre los siguientes números que se encuentran en la carcasa o mango de su nuevo producto:</b>											
N° de modelo:											
L	J	1	0	M							
N° de serie:											

## Solución de problemas

Problema	Causa posible	Solución
El gato no se mueve.	<ol style="list-style-type: none"> <li>1. La rueda de ajuste manual está abierta.</li> <li>2. Madera atascada debajo del gato.</li> <li>3. Líneas hidráulicas bloqueadas.</li> <li>4. Válvula de control bloqueada.</li> <li>5. Válvula de control dañada.</li> <li>6. Pistón de cilindro dañado.</li> </ol>	<ol style="list-style-type: none"> <li>1. Gire la rueda de ajuste manual en sentido horario hasta que esté bien ceñida.</li> <li>2. Retire cualquier objeto extraño que se encuentre debajo del gato.</li> <li>3. Enjuague y limpie el sistema hidráulico del partidor.</li> <li>4. Enjuague y limpie la válvula de control del partidor.</li> <li>5. Contacte a un concesionario autorizado Snow Joe® + Sun Joe®, o comuníquese con la central de servicio al cliente Snow Joe® + Sun Joe® llamando al 1-866-SNOWJOE (1-866-766-9563).</li> <li>6. Contacte a un concesionario autorizado Snow Joe® + Sun Joe®, o comuníquese con la central de servicio al cliente Snow Joe® + Sun Joe® llamando al 1-866-SNOWJOE (1-866-766-9563).</li> </ol>
Baja velocidad del gato al extenderse o retraerse.	<ol style="list-style-type: none"> <li>1. Bombeo lento de las palancas de operación.</li> <li>2. Aire o burbujas de aire en tanque de aceite.</li> <li>3. Daños en la válvula de control.</li> <li>4. Fuga interna en válvula de control.</li> <li>5. Daño interno del cilindro.</li> </ol>	<ol style="list-style-type: none"> <li>1. Mueva las palancas de operación de forma más rápida.</li> <li>2. Purgue el aire del sistema hidráulico del partidor.</li> <li>3. Contacte a un concesionario autorizado Snow Joe® + Sun Joe®, o comuníquese con la central de servicio al cliente Snow Joe® + Sun Joe® llamando al 1-866-SNOWJOE (1-866-766-9563).</li> <li>4. Contacte a un concesionario autorizado Snow Joe® + Sun Joe®, o comuníquese con la central de servicio al cliente Snow Joe® + Sun Joe® llamando al 1-866-SNOWJOE (1-866-766-9563).</li> <li>5. Contacte a un concesionario autorizado Snow Joe® + Sun Joe®, o comuníquese con la central de servicio al cliente Snow Joe® + Sun Joe® llamando al 1-866-SNOWJOE (1-866-766-9563).</li> </ol>
La madera no se parte, o se parte de forma extremadamente lenta.	<ol style="list-style-type: none"> <li>1. Aire o burbujas de aire en el tanque de aceite.</li> <li>2. Vacío excesivo en la entrada de la válvula de control.</li> <li>3. Ajuste bajo para la válvula de control.</li> <li>4. Fuga interna en válvula de control.</li> <li>5. Daño interno del cilindro.</li> </ol>	<ol style="list-style-type: none"> <li>1. Ve a si hay exceso de aire en el depósito hidráulico.</li> <li>2. Busque obstrucciones o torceduras en la manguera de entrada de la válvula de control.</li> <li>3. Contacte a un concesionario autorizado Snow Joe® + Sun Joe®, o comuníquese con la central de servicio al cliente Snow Joe® + Sun Joe® llamando al 1-866-SNOWJOE (1-866-766-9563).</li> <li>4. Contacte a un concesionario autorizado Snow Joe® + Sun Joe®, o comuníquese con la central de servicio al cliente Snow Joe® + Sun Joe® llamando al 1-866-SNOWJOE (1-866-766-9563).</li> <li>5. Contacte a un concesionario autorizado Snow Joe® + Sun Joe®, o comuníquese con la central de servicio al cliente Snow Joe® + Sun Joe® llamando al 1-866-SNOWJOE (1-866-766-9563).</li> </ol>



## LA PROMESA DE SNOW JOE® + SUN JOE® AL CLIENTE

**POR SOBRE TODO**, en Snow Joe, LLC (“Snow Joe”) estamos dedicados a usted, nuestro cliente. Nos esforzamos por hacer que su experiencia sea lo más placentera posible. Desafortunadamente, hay veces en que un producto Snow Joe®, Sun Joe®, o Aqua Joe® (el “Producto”) no funciona o sufre un desperfecto bajo condiciones normales de operación. Creemos que es importante que usted sepa que puede confiar en nosotros. Es por eso que tenemos esta Garantía Limitada (la “Garantía”) para nuestros Productos.

### NUESTRA GARANTÍA:

Snow Joe garantiza que sus Productos motorizados y no motorizados, nuevos y genuinos, están libres de defectos materiales o de mano de obra al ser usados en tareas domésticas normales durante un periodo de dos (2) años a partir de la fecha de compra por parte del comprador original y usuario final, cuando este último los compra a través de Snow Joe o un vendedor autorizado por Snow Joe y ha obtenido un comprobante de compra. Ya que Snow Joe no puede controlar la calidad de sus Productos vendidos por vendedores no autorizados, a menos que la ley lo prohíba esta Garantía no cubre Productos adquiridos a través de vendedores no autorizados. Si su Producto no funciona, o hay un problema con una parte específica que está cubierta por los términos de esta Garantía, Snow Joe elegirá entre: (1) enviarle una parte de repuesto gratuita; (2) reemplazar el Producto con uno nuevo o similar sin costo alguno; o (3) reparar el Producto. ¡Un excelente soporte!

**Esta Garantía le da derechos legales específicos, y usted puede también tener otros derechos según el Estado.**

### REGISTRO DEL PRODUCTO:

Snow Joe le recomienda enfáticamente registrar su Producto. Usted puede registrar su Producto en línea visitando [snowjoe.com/register](http://snowjoe.com/register), imprimiendo y enviando por correo una tarjeta de registro disponible en línea en nuestro sitio Web, llamando a nuestra central de servicio al cliente al **1-866-SNOWJOE (1-866-766-9563)**, o enviándonos un e-mail a [help@snowjoe.com](mailto:help@snowjoe.com). Si usted no registra su Producto sus derechos de garantía no disminuirán; sin embargo, registrar su Producto permitirá que Snow Joe le pueda atender mejor si usted tiene alguna necesidad como cliente.

### ¿QUIÉN PUEDE SOLICITAR COBERTURA DE GARANTÍA LIMITADA?

Esta Garantía es otorgada por Snow Joe al comprador original y propietario original del Producto.

### ¿QUÉ NO ESTÁ CUBIERTO?

Esta Garantía no se aplica si el Producto ha sido usado de forma comercial o en aplicaciones no domésticas o de alquiler. Esta Garantía tampoco se aplica si el Producto fue adquirido desde un vendedor no autorizado. Esta garantía tampoco cubre cambios cosméticos que no afecten el funcionamiento del Producto. Las partes desgastables como correas, brocas y cuchillas no están cubiertas por esta Garantía, y pueden ser compradas visitando [snowjoe.com](http://snowjoe.com) o llamando al **1-866-SNOWJOE (1-866-766-9563)**.



A series of horizontal lines for writing, consisting of 20 evenly spaced lines across the page.



## IMPORTANT!

### Consignes de sécurité

### Tous les utilisateurs doivent lire ces instructions avant d'utiliser la machine

Avant d'utiliser cet outil, toute personne doit lire et comprendre toutes les informations concernant la sécurité et les avertissements, les consignes d'utilisation, d'entretien et de remisage. Le non-respect des consignes d'utilisation et de remisage fournies pour la fendeuse de bûches pourrait entraîner de graves blessures pour l'utilisateur ou les spectateurs.

**⚠ DANGER!** Ce symbole indique une situation dangereuse qui, en l'absence de précautions, entraînera des blessures graves ou même fatales.

**⚠ AVERTISSEMENT!** Ce symbole indique une situation dangereuse qui, si elle n'est pas évitée, pourrait entraîner des blessures graves ou même fatales.

**⚠ MISE EN GARDE!** Ce symbole indique une situation dangereuse qui, si elle n'est pas évitée, pourrait entraîner des blessures mineures ou un peu plus graves.

### Avertissements d'ordre général en matière de sécurité!

Toute personne ayant l'intention d'utiliser cet outil doit lire et comprendre toutes les informations concernant la sécurité ou autre contenues dans ce manuel avant la première utilisation. Conservez ce manuel et consultez-le fréquemment avant d'utiliser cet outil et quand vous apprenez à d'autres personnes les procédures d'utilisation appropriées.

- 1. Maintenir la zone de travail propre et bien éclairée –** Placez l'outil et utilisez-le uniquement sur une surface plate et horizontale, à l'extérieur dans un endroit bien ventilé.
- 2. Pièces de rechange –** Pour les réparations, utilisez uniquement des pièces de rechange identiques.
- 3. Maintenir les spectateurs, les enfants et les animaux familiers à bonne distance –** Tous les spectateurs, notamment les animaux familiers, doivent être maintenus à une distance de sécurité de la zone de travail.

- 4. S'habiller en conséquence –** Ne portez ni vêtements amples ni bijoux, ceux-ci pouvant se prendre dans les pièces mobiles. Les cheveux longs doivent être ramassés sous un couvre-chef. Il est recommandé de porter des gants en caoutchouc et des chaussures suffisamment montantes et antidérapantes pour tout travail à l'extérieur.
- 5. Porter un équipement de protection individuel –** Lors de l'utilisation de cet outil, portez des lunettes de sécurité ou des lunettes de protection munies d'écrans latéraux pour vous protéger efficacement les yeux. Portez au besoin des protecteurs d'oreilles pour éviter une diminution de l'acuité auditive. Utilisez un protecteur facial ou un masque protecteur contre la poussière si l'environnement de travail est poussiéreux.
- 6. Quand elle n'est pas utilisée, remiser la fendeuse de bûches à l'intérieur –** Elle doit être remise à l'intérieur dans un endroit sec, surélevé ou sous clé, hors de portée des enfants.
- 7. Entretien la fendeuse de bûches avec soin –** Pour que son rendement soit optimal et pour réduire le risque de se blesser, la fendeuse de bûches doit être toujours propre. Suivez les recommandations complémentaires décrites dans la section Entretien de ce manuel.
- 8. Utiliser le bon outil –** N'utilisez pas l'outil pour des travaux différents de ceux pour lesquels il est destiné.
- 9. Rester vigilant –** Surveillez ce que vous faites. Faites preuve de bon sens. N'utilisez pas la fendeuse de bûches si vous êtes fatigué, si vous avez consommé de l'alcool ou de la drogue ou pris des médicaments.

### Avertissements concernant l'utilisation

- Ne jamais transporter de personnes sur la fendeuse de bûches et ne jamais s'asseoir ou se mettre debout dessus.
- Ne pas laisser les enfants jouer sur la fendeuse de bûches, se mettre debout ou grimper dessus.
- Pour s'assurer qu'elle est en bon ordre de marche, toujours inspecter la fendeuse de bûches avant de l'utiliser.
- Remplacer ou réparer immédiatement les pièces endommagées ou usées.
- Toujours utiliser la fendeuse sur une surface plate et horizontale.
- Avant toute utilisation, vérifier la visserie et les pièces assemblées et serrer au besoin.
- Utiliser uniquement la fendeuse de bûches pour les travaux auxquels elle est destinée : fendre des bûches.

- Ne pas fendre des bûches dont la longueur est supérieure au maximum autorisé (46 cm) ou dont le diamètre est supérieur au maximum autorisé (20,3 cm).
- Toujours fendre le bois dans le sens de la fibre. Ne pas fendre de bûches en travers de la fibre.
- Ne pas dépasser la capacité nominale maximale de 9 tonnes métriques de l'outil.
- Ne jamais laisser la fendeuse de bûches sans surveillance quand on l'utilise.
- Pour éviter de se blesser, maintenir la zone autour de la fendeuse de bûches exempte de débris.
- Avant de fendre une nouvelle bûche, toujours débarrasser la zone de travail des morceaux de bois pouvant s'y trouver.
- Ne pas remorquer la fendeuse de bûches à l'aide d'un véhicule motorisé, par exemple un tracteur de pelouse ou un VTT.

### **Dangers de lésion par écrasement ou coupure**

- Pendant l'utilisation de l'outil, toujours maintenir les mains et les pieds éloignés des pièces mobiles et tranchantes.
- Pendant l'utilisation de la fendeuse de bûches, toujours maintenir la zone de travail propre et débarrassée de tout débris.
- Pendant l'utilisation de la fendeuse de bûches, toujours porter un équipement de sécurité, notamment une protection oculaire, des gants résistants et des bottes à embouts d'acier.

**⚠ AVERTISSEMENT!** Les avertissements, mises en garde et consignes décrits dans ce manuel d'instructions ne peuvent pas couvrir toutes les conditions et situations possibles pouvant se matérialiser. L'utilisateur doit comprendre que le bon sens et la prudence sont des facteurs qui ne peuvent pas être intégrés à ce produit et dont l'utilisateur doit donc faire preuve.










### **Conditions à respecter pour le bois**

- Cette fendeuse de bûches a été conçue pour fendre des bûches de taille standard (c.-à-d., d'un diamètre max. de 20,3 cm, d'une longueur max. de 46 cm et d'une longueur min. de 34,3 cm). N'essayez pas de fendre des bûches de dimensions supérieures.
- N'essayez pas de fendre du bois « dur » qui nécessite plus de 5 secondes pour être fendu.
- Vérifiez la bûche avant de la fendre pour vous assurer qu'elle est exempte de corps étrangers qui pourraient être projetés ou endommager la machine (p. ex., des clous, du fil de fer, etc.).
- Assurez-vous que l'extrémité de la bûche est coupée à angles droits et que toutes les branches ont été élaguées.



# Symboles de sécurité

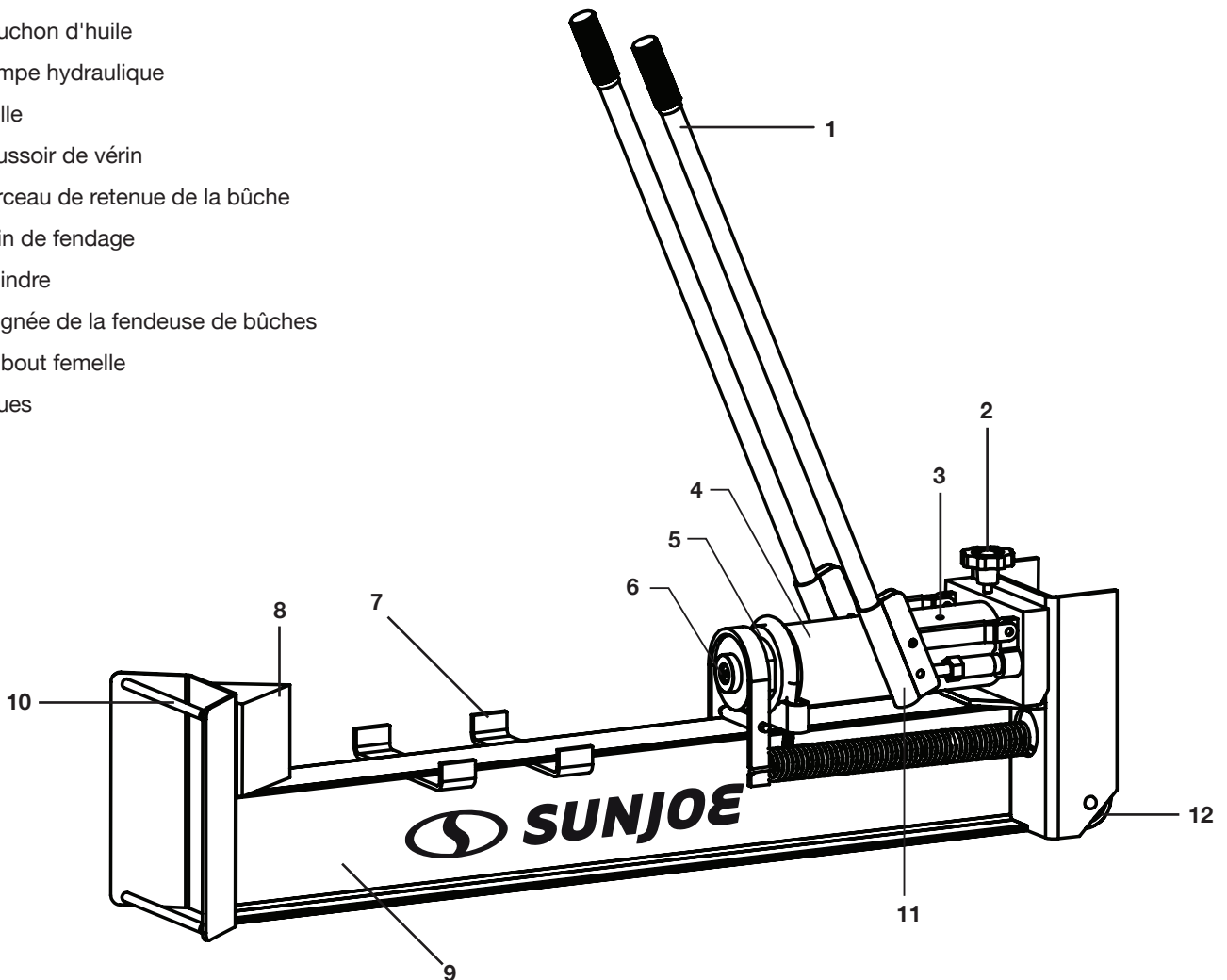
Le tableau suivant décrit et explique les symboles de sécurité pouvant être marqués sur cet outil. Lisez, comprenez et suivez toutes les instructions sur l'outil avant d'essayer de procéder à son assemblage et de l'utiliser.

Symboles	Descriptions	Symboles	Descriptions
	<b>LIRE LE OU LES MANUELS D'UTILISATION</b> – Lire, comprendre et suivre toutes les instructions du ou des manuels avant d'essayer d'assembler et d'utiliser la machine.		Maintenir les spectateurs et les enfants à une distance de sécurité suffisante.
	<b>ALERTE DE SÉCURITÉ</b> – Indique une précaution, un avertissement ou un danger.		<b>AVERTISSEMENT!</b> Ne pas utiliser l'outil sous la pluie ou par forte humidité.
	<b>AVERTISSEMENT!</b> Ne jamais perdre de vue le mouvement de la fendeuse de bûches.		<b>LUNETTES DE SÉCURITÉ ET SERRE-TÊTE ANTIBRUIT OBLIGATOIRES</b> – Pour éviter de se blesser, porter des protège-oreilles et des lunettes de sécurité.
	Les pièces mobiles peuvent écraser les mains et les doigts. Pendant le fendage, maintenir les mains éloignées du poussoir du vérin, du coin de fendage et des bûches.	 	Porter des gants résistants et des bottes à embouts d'acier pour utiliser la machine et manipuler les débris.

# Apprenez à mieux connaître votre fendeuse de bûches

Avant d'utiliser la fendeuse de bûches, lisez attentivement le manuel de l'utilisateur et les consignes de sécurité. Comparez l'illustration ci-dessous avec la fendeuse de bûches pour vous familiariser avec l'emplacement des différents réglages et commandes. Conservez ce manuel pour pouvoir vous y reporter dans le futur.

1. Manche-levier
2. Petit volant
3. Bouchon d'huile
4. Pompe hydraulique
5. Bielle
6. Poussoir de vérin
7. Berceau de retenue de la bûche
8. Coin de fendage
9. Cylindre
10. Poignée de la fendeuse de bûches
11. Embout femelle
12. Roues



## Données techniques

Force de fendage max. ....	9 tonnes métriques	Hauteur du cylindre .....	14 cm
Force de poussée/force .....	9 tonnes métriques continue du vérin	Dimensions du vérin hydraulique .....	25,2 cm x 5,2 cm (longueur x diamètre)
Matériau .....	Acier	Dimensions de la bielle.....	29,3 cm x 4,3 cm (longueur x diamètre)
Longueur max. de bûche .....	46 cm	Capacité hydraulique .....	0,65 l
Longueur min. de bûche .....	34,3 cm	Dimension des roues.....	6,3 cm
Diamètre max. de bûche .....	20,3 cm	Poids net .....	39,5 kg
Hauteur de coin de fendage.....	10 cm		

# Déballage

## Contenu de la caisse

- Fendeuse de bûches
- Manche-levier (2)
- Manuels et carte d'enregistrement

1. Retirez soigneusement la fendeuse de bûches de la caisse et inspectez-la pour vérifier que tous les éléments énumérés ci-dessus sont fournis.
2. Inspectez soigneusement le contenu pour vous assurer qu'aucun élément n'a été brisé ou endommagé pendant le transport. Si vous constatez que des pièces manquent ou sont endommagées, NE PAS retourner l'outil au magasin. Veuillez appeler le service clientèle Snow Joe® + Sun Joe® au 1-866-SNOWJOE (1-866-766-9563).

**REMARQUE :** ne jetez pas la caisse d'expédition et l'emballage tant que vous n'êtes pas prêt à utiliser la fendeuse de bûches. L'emballage est fabriqué dans des matériaux recyclables. Éliminez ces matériaux de façon appropriée et conformément à la réglementation locale.

**IMPORTANT!** Le matériel et l'emballage ne sont pas des jouets. Ne laissez pas les enfants jouer avec les sacs en plastique, les feuilles métalliques ou les petites pièces. Ces éléments peuvent être avalés et présentent un danger de suffocation!

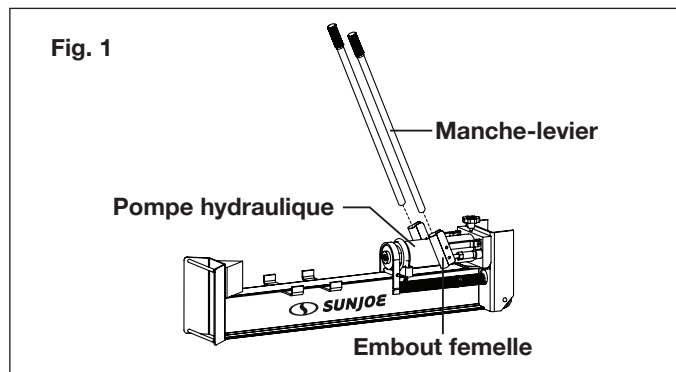
## Assemblage

**IMPORTANT!** Ce produit nécessite que certaines pièces soient assemblées avant son utilisation. En raison du poids et de la taille de la fendeuse de bûches, il est recommandé qu'un autre adulte soit présent au moment de l'assemblage.

**⚠ MISE EN GARDE!** Lire et suivre toutes les consignes d'assemblage et d'utilisation. Le non-respect des consignes d'assemblage de cette fendeuse de bûches pourrait entraîner de graves blessures pour l'utilisateur ou les spectateurs ou endommager le matériel.

## Attache des manches

1. Insérez les manches-leviers dans les embouts femelles sur la pompe hydraulique (Fig. 1).



## Utilisation

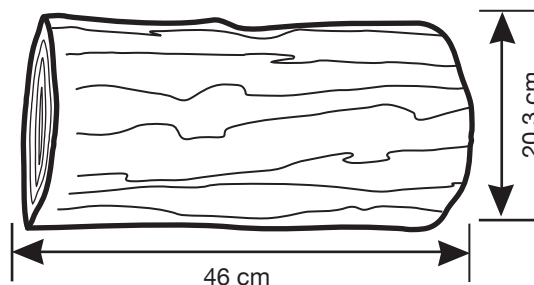
**⚠ AVERTISSEMENT!** Avant d'utiliser la fendeuse de bûches, passer en revue les instructions ci-dessous ainsi que toutes les informations sur la sécurité. Le non-respect de ces instructions pourrait entraîner des dommages matériels ou blesser l'utilisateur et les spectateurs.

## Opération de fendage et consignes de sécurité supplémentaires

Suivez ces consignes d'utilisation de la fendeuse de bûches :

1. Assurez-vous que toutes les bûches répondent aux exigences en matière de dimensions (diamètre max. de la bûche : 20,3 cm; longueur max. de la bûche : 46 cm; longueur min. de la bûche : 34,3 cm).

**IMPORTANT!** La dureté et la structure des bûches varient. Les petites bûches ayant des nœuds ou le bois dur peuvent être difficiles à fendre. Les grosses bûches qui sont moins dures peuvent ne pas être difficiles à fendre. Ne forcez pas la fendeuse de bûches si vous ne parvenez pas à fendre la bûche dès le premier essai.



2. Quand vous chargez ou positionnez une bûche, manipulez-la toujours là où il y a de l'écorce et jamais par les extrémités. Ne placez jamais les mains ou une partie quelconque du corps entre la bûche et la fendeuse.
3. Ne chargez ou déchargez jamais des bûches quand le vérin se déplace.
4. N'empilez pas de bûches à fendre dans un endroit vous obligeant à vous pencher au-dessus de la fendeuse pour les charger.
5. Les extrémités des bûches doivent être coupées à angles droits (90°) pour qu'elles ne glissent pas quand on les fend, qu'elles ne posent pas de risques pour la sécurité et pour qu'elles n'exercent pas une force excessive sur les composants de la fendeuse de bûches. Pour scier les extrémités des bûches avant d'essayer de les fendre, utilisez une scie à chaîne (non fournie), comme les scies à chaîne électriques Sun Joe® (modèles SWJ698E, SWJ699E, SWJ700E, SWJ701E; visitez le site [sunjoe.com](http://sunjoe.com) pour vos achats en ligne).
6. N'essayez jamais de fendre plus d'une bûche à la fois. Un morceau de bûche peut être projeté hors de la machine de façon inattendue, ce qui peut gravement blesser.

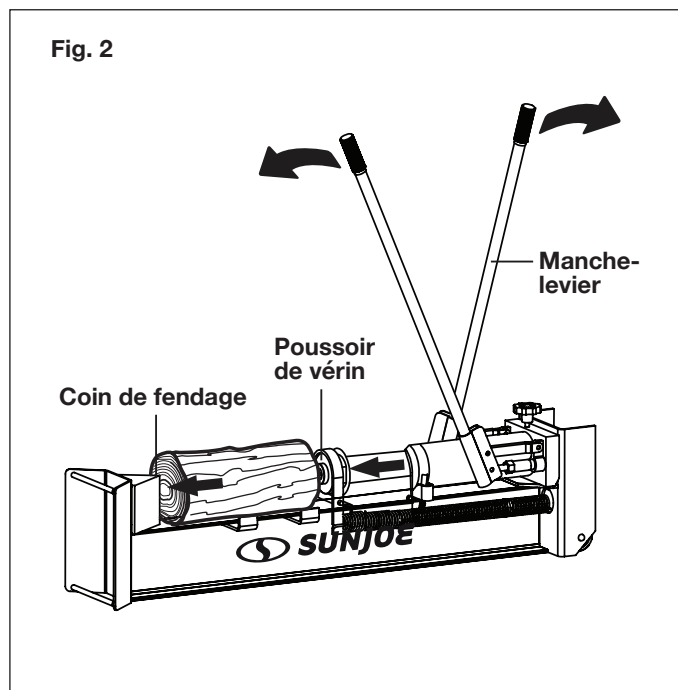
- N'utilisez pas la fendeuse s'il y a un signe quelconque que le vérin hydraulique est endommagé.
- N'utilisez pas la fendeuse pour fendre des bûches en travers de la fibre ou en travers de l'écorce. La fendeuse de bûches pourrait être endommagée et des morceaux de bûche pourraient voler en éclats en blessant au passage l'utilisateur ou les spectateurs.

**⚠️ AVERTISSEMENT!** Les accidents se produisent quand il y a plus d'une personne impliquée dans le chargement et l'utilisation de la fendeuse de bûches. Une seule personne devrait utiliser la fendeuse. Si une seconde personne aide à charger la bûche, ne JAMAIS laisser cette personne maintenir la bûche en place quand l'utilisateur utilise l'outil.

### Utilisation de la fendeuse de bûches de 9 tonnes métriques

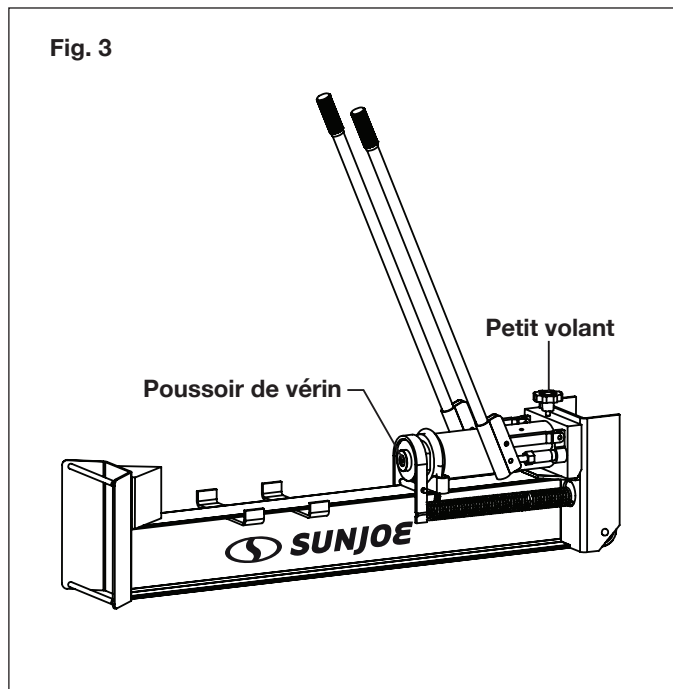
- Chargez la bûche dans le sens de la longueur en la plaçant entre le coin de fendage et le poussoir du vérin. Assurez-vous qu'elle sera fendue dans le sens de la fibre.
- Prenez un manche dans chaque main et actionnez les manches dans un mouvement de va-et-vient, chaque manche dans la direction opposée à l'autre. Ce mouvement de va-et-vient forcera la bûche à se placer contre le coin de fendage (Fig. 2).

**⚠️ DANGER!** Toujours actionner les manches en se plaçant du côté des manches, le plus loin possible du coin de fendage et de la bûche à fendre.



- Retirez les morceaux fendus.

- Pour relâcher la pression et pour que le vérin retourne à sa position initiale, tournez le petit volant dans le sens contraire des aiguilles d'une montre et de moins d'un tour complet (Fig. 3).
- Tournez le petit volant dans le sens des aiguilles d'une montre jusqu'à ce que vous ne puissiez plus le tourner (Fig. 3). Vous êtes maintenant prêt à fendre la bûche suivante.

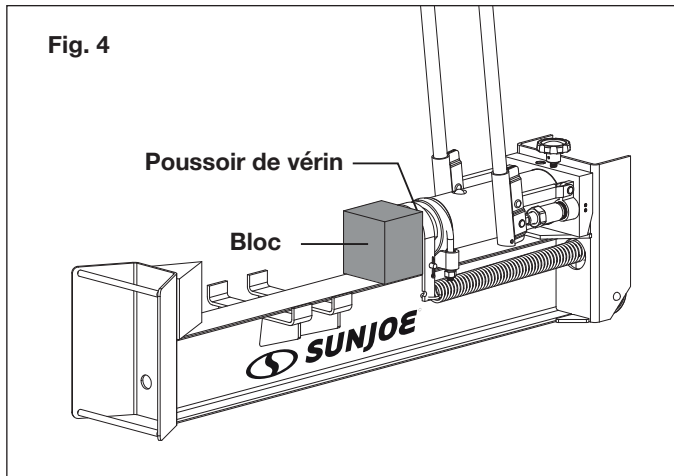


**⚠️ AVERTISSEMENT!** Ne JAMAIS essayer de retirer une bûche coincée dans la fendeuse en forçant le vérin hydraulique pour fendre la bûche.

**⚠️ AVERTISSEMENT!** Ne JAMAIS trafiquer la fendeuse de bûches.

### Comment fendre une bûche de petite longueur

Cette fendeuse de bûches est conçue pour fendre les bûches dont la longueur est comprise entre 34,3 cm et 46 cm. Lorsque la longueur de la bûche est inférieure à 34,3 cm, il se peut que le poussoir du vérin n'atteigne pas la bûche. Dans ce cas, avant d'utiliser la fendeuse, placez un bloc de bois ayant des surfaces plates devant le poussoir du vérin (Fig. 4). Les bûches de très petite longueur peuvent nécessiter un bloc de bois supplémentaire.



**REMARQUE :** les surfaces du ou des blocs utilisés pour rallonger la tige de piston doivent toutes être plates.

### Retrait d'une bûche coincée

Si la bûche se coince sur la base du coin de fendage ou, si le coin de fendage s'enfonce dans la bûche, reste coincé et ne veut pas fendre complètement la bûche ou s'en séparer, suivez les instructions ci-dessous pour retirer la bûche :

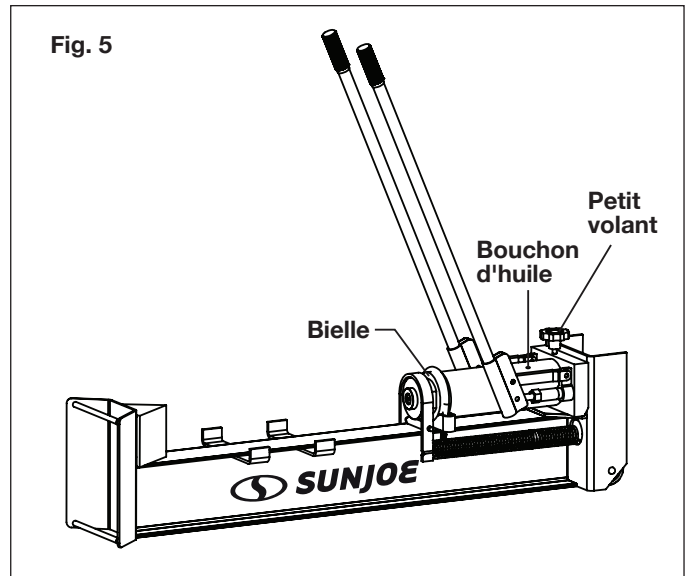
1. Remplacez le vérin dans sa position initiale.
2. Retirez la bûche coincée dans le coin de fendage en utilisant un levier.

**⚠ MISE EN GARDE!** Faire preuve d'une extrême prudence, car des morceaux de bûche peuvent voler en éclats en se détachant du coin de fendage.

3. N'essayez pas de fendre à nouveau une bûche coincée qui vient d'être séparée du coin de fendage.
4. Fendez manuellement la bûche à l'aide d'une massue ou sciez-la à l'aide d'une scie à chaîne.

### Purge de la fendeuse de bûches

1. Déployez le vérin sur sa longueur maximale.
2. Retirez le bouchon d'huile et assurez-vous que l'huile est au niveau plein. Au besoin, ajoutez un peu plus d'huile hydraulique à la pompe hydraulique (Fig. 5).



3. Tournez le petit volant aussi rapidement que possible dans le sens contraire des aiguilles d'une montre. La bielle rentrera dans la pompe hydraulique et expulsera l'air du vérin à travers le trou du bouchon d'huile.
4. Vérifiez à nouveau le niveau d'huile et ajoutez au besoin de l'huile hydraulique.
5. Remplacez le bouchon d'huile et répétez au besoin les étapes 1 à 3.
6. Pour ajouter de l'huile, retirez le bouchon d'huile et ajoutez de l'huile de telle sorte que le niveau soit juste en dessous du bouchon.
7. Remplacez le bouchon d'huile.

### Entretien

**⚠ AVERTISSEMENT!** Appliquer périodiquement une légère couche d'huile antirouille, par exemple de l'huile 3 en 1 ou WD-40, sur les ressorts pour les maintenir en bon ordre de marche.

- Vérifiez périodiquement le serrage de toutes les attaches.
- Tous les ans, nettoyez et lubrifiez légèrement les pièces.
- Pour retoucher les surfaces en métal peintes rayées ou usées, utilisez une peinture-émail brillante à pulvériser.
- Ne dépassez jamais la capacité nominale de 9 tonnes métriques, ce qui endommagerait la fendeuse de bûches et annulerait la garantie du fabricant.

**IMPORTANT!** Si une pièce doit être remplacée, utilisez uniquement des pièces spécifiquement recommandées par le fabricant. Les pièces de rechange qui ne répondent pas à ces spécifications peuvent présenter un risque pour la sécurité, peuvent compromettre le rendement de l'outil et annuleront la garantie du fabricant.

## Remisage

- Avant de la remiser, assurez-vous que la fendeuse de bûches est propre et sèche. Ce type d'entretien est nécessaire pour assurer des années d'utilisation sans problèmes de rendement.
- Avant de remiser l'outil, assurez-vous que le vérin est complètement rentré. Relâchez toute la pression en tournant le petit volant dans le sens contraire des aiguilles d'une montre, puis resserrez en tournant le petit volant dans le sens des aiguilles d'une montre.
- Avant remisage de l'outil, lubrifiez toutes les surfaces en métal.
- Quand le temps est mauvais ou pendant la saison d'hiver, remisez l'outil à l'intérieur dans un endroit sec et protégé.
- Examinez minutieusement la fendeuse de bûches pour vérifier qu'il n'y a pas de pièces usées, desserrées ou endommagées. Si vous devez faire réparer ou remplacer une pièce, communiquez avec votre revendeur Snow Joe® + Sun Joe® agréé ou appelez le service clientèle Snow Joe® + Sun Joe® au 1-866-SNOWJOE (1-866-766-9563) pour de l'aide.

## Service après-vente et assistance technique

Si votre fendeuse de bûches Sun Joe® LJ10M nécessite une réparation ou un entretien, veuillez appeler le service clientèle Snow Joe® + Sun Joe® au 1-866-SNOWJOE (1-866-766-9563).

## Numéros de modèle et de série

Lorsque vous communiquez avec l'entreprise pour commander des pièces ou prendre rendez-vous pour une intervention technique chez un revendeur agréé, vous devez fournir les numéros de modèle et de série qui se trouvent sur l'étiquette autocollante apposée sur le carter de la machine. Copiez ces numéros dans l'espace réservé ci-dessous.

<b>Veillez noter les numéros suivants sur le carter ou la poignée de votre nouvel outil :</b>	
N° de modèle :	
L   J   1   0   M	
N° de série :	

## Dépannage

Problème	Cause possible	Solution
Le vérin ne veut pas se déplacer.	<ol style="list-style-type: none"> <li>1. Le petit volant est ouvert.</li> <li>2. Bois coincé par le coin sous le vérin.</li> <li>3. Conduites hydrauliques bloquées.</li> <li>4. Soupape de commande bloquée.</li> <li>5. Soupape de commande endommagée.</li> <li>6. Piston de vérin endommagé.</li> </ol>	<ol style="list-style-type: none"> <li>1. Tournez le petit volant dans le sens des aiguilles d'une montre jusqu'à ce que vous ne puissiez plus le tourner.</li> <li>2. Retirez tous les débris et autres corps étrangers qui se trouvent sous le vérin.</li> <li>3. Purgez et nettoyez le système hydraulique de la fendeuse.</li> <li>4. Purgez et nettoyez la soupape de commande de la fendeuse.</li> <li>5. Communiquez avec votre revendeur Snow Joe® + Sun Joe® agréé ou appelez le service clientèle Snow Joe® + Sun Joe® au 1-866-SNOWJOE (1-866-766-9563).</li> <li>6. Communiquez avec votre revendeur Snow Joe® + Sun Joe® agréé ou appelez le service clientèle Snow Joe® + Sun Joe® au 1-866-SNOWJOE (1-866-766-9563).</li> </ol>
Le vérin se déploie ou se rétracte lentement	<ol style="list-style-type: none"> <li>1. Actionnement lent des manches-leviers.</li> <li>2. Air ou bulles d'air dans le réservoir d'huile.</li> <li>3. Soupape de commande endommagée.</li> <li>4. Fuite intérieure de la soupape de commande.</li> <li>5. Vérin endommagé à l'intérieur.</li> </ol>	<ol style="list-style-type: none"> <li>1. Manœuvrez plus rapidement les manches-leviers.</li> <li>2. Purgez l'air du système hydraulique de la fendeuse.</li> <li>3. Communiquez avec votre revendeur Snow Joe® + Sun Joe® agréé ou appelez le service clientèle Snow Joe® + Sun Joe® au 1-866-SNOWJOE (1-866-766-9563).</li> <li>4. Communiquez avec votre revendeur Snow Joe® + Sun Joe® agréé ou appelez le service clientèle Snow Joe® + Sun Joe® au 1-866-SNOWJOE (1-866-766-9563).</li> <li>5. Communiquez avec votre revendeur Snow Joe® + Sun Joe® agréé ou appelez le service clientèle Snow Joe® + Sun Joe® au 1-866-SNOWJOE (1-866-766-9563).</li> </ol>
Le bois ne se fend pas ou l'opération de fendage est extrêmement lente.	<ol style="list-style-type: none"> <li>1. Air ou bulles d'air dans le réservoir d'huile.</li> <li>2. Vide excessif à l'entrée de la soupape de commande.</li> <li>3. Réglage trop faible de la soupape de commande.</li> <li>4. Fuite intérieure de la soupape de commande.</li> <li>5. Vérin endommagé à l'intérieur.</li> </ol>	<ol style="list-style-type: none"> <li>1. Vérifiez qu'il n'y a pas trop d'air dans le réservoir hydraulique.</li> <li>2. Vérifiez que le boyau d'arrivée de la soupape de commande n'est ni coincé ni tordu.</li> <li>3. Communiquez avec votre revendeur Snow Joe® + Sun Joe® agréé ou appelez le service clientèle Snow Joe® + Sun Joe® au 1-866-SNOWJOE (1-866-766-9563).</li> <li>4. Communiquez avec votre revendeur Snow Joe® + Sun Joe® agréé ou appelez le service clientèle Snow Joe® + Sun Joe® au 1-866-SNOWJOE (1-866-766-9563).</li> <li>5. Communiquez avec votre revendeur Snow Joe® + Sun Joe® agréé ou appelez le service clientèle Snow Joe® + Sun Joe® au 1-866-SNOWJOE (1-866-766-9563).</li> </ol>



## LA PROMESSE DE SNOW JOE® + SUN JOE® À SES CLIENTS

Vous êtes notre client et Snow Joe, LLC (« Snow Joe ») **SE MET EN QUATRE** pour vous servir. Nous nous efforçons de vous rendre l'utilisation de nos produits aussi plaisante que possible. Malheureusement, il peut arriver qu'un produit Snow Joe®, Sun Joe® ou Aqua Joe (« Produit ») ne fonctionne pas ou se casse dans des conditions d'utilisation normales. Nous pensons qu'il est important que vous sachiez ce que vous pouvez attendre de nous. C'est pourquoi nous avons une garantie limitée (« Garantie ») pour nos Produits.

### NOTRE GARANTIE :

Snow Joe déclare et garantit que les Produits neufs, d'origine, électriques ou non électriques sont exempts de vices de matière ou de fabrication et, lorsqu'ils font l'objet d'une utilisation résidentielle et ménagère ordinaire, les garantit pendant une période de deux ans à compter de la date d'achat au détail par l'acheteur primitif auprès de Snow Joe ou d'un des revendeurs agréés de Snow Joe, preuve d'achat à l'appui. Étant donné que Snow Joe ne peut pas contrôler la qualité de ses Produits vendus par des revendeurs non agréés, sauf stipulation contraire de la loi, la présente Garantie ne couvre pas les Produits achetés auprès de vendeurs non agréés. Si votre Produit ne fonctionne pas ou si une pièce spécifique couverte par les modalités de la présente Garantie fait l'objet d'un problème quelconque, Snow Joe choisira (1) de vous envoyer une pièce de rechange gratuite, (2) de remplacer le Produit par un produit neuf ou comparable, gratuitement, ou (3) de réparer le Produit. Génial, n'est-ce pas?

**La présente Garantie vous donne des droits judiciaires spécifiques, et vous pouvez également avoir d'autres droits qui peuvent varier d'une province ou d'un territoire à l'autre.**

### ENREGISTREMENT DU PRODUIT :

Snow Joe vous recommande vivement d'enregistrer votre Produit. Vous pouvez l'enregistrer en ligne sur le site [snowjoe.com/register](http://snowjoe.com/register), ou en imprimant et en envoyant par courrier une carte d'enregistrement offerte en ligne sur notre site Web, ou par téléphone en appelant notre Service à la clientèle au **1-866-SNOWJOE (1-866-766-9563)**, ou encore en nous envoyant un courriel à l'adresse [help@snowjoe.com](mailto:help@snowjoe.com). Le fait de ne pas enregistrer l'achat de votre Produit n'a aucune conséquence sur vos droits concernant la garantie. Toutefois, l'enregistrement de votre Produit permettra à Snow Joe de mieux répondre au moindre besoin que vous pourriez avoir en matière de service à la clientèle.

### QUI PEUT REVENDIQUER LA COUVERTURE DE LA GARANTIE?

La présente Garantie est étendue par Snow Joe à l'acheteur et propriétaire primitif du Produit.

### QU'EST-CE QUI N'EST PAS COUVERT?

La présente Garantie ne s'applique pas si le Produit a été utilisé commercialement, pour des travaux non résidentiels ou s'il fait l'objet d'une location. La présente Garantie ne s'applique pas non plus si le Produit a été acheté auprès d'un revendeur non agréé. La présente garantie ne couvre pas non plus les changements cosmétiques qui n'affectent pas le rendement. Les pièces d'usure comme les courroies, les tarières, les chaînes et les dents ne sont pas couvertes au titre de la présente Garantie et peuvent être achetées en ligne sur le site [snowjoe.com](http://snowjoe.com) ou en appelant le **1-866-SNOWJOE (1-866-766-9563)**.





A series of 20 horizontal lines spaced evenly down the page, providing a writing area.



---

---

---

---

---

---

---

---

---

---

---

---

---

---

---

---

---

---

---

---

---

---

---

---

---





[sunjoe.com](http://sunjoe.com)