



CORDLESS POLE CHAIN SAW

24V MAX* | 2.0 Ah | 8" | MULTI-ANGLE

A Division of Snow Joe®, LLC

Model 24V-PS8-LTE

Form No. SJ-24V-PS8-LTE-880E-MR3

IMPORTANT! Safety Instructions

All Operators Must Read These Instructions Before Use

Always follow these safety guidelines. Failure to do so may result in serious bodily injury or death.

General Safety

⚠️ WARNING! This appliance is not intended for use by children or by unassisted, unsupervised persons whose physical, sensory or mental capabilities prevent them from using it safely. Children should be supervised to ensure that they do not play with the appliance.

Before starting up your machine, please check it carefully for any defects. If you find any, do not start up your machine. Contact your authorized Snow Joe® + Sun Joe® dealer or call the Snow Joe® + Sun Joe® customer service center at 1-866-SNOWJOE (1-866-766-9563).

⚠️ WARNING! When using the power tool, basic safety precautions should always be followed to reduce the risk of fire, electric shock, and personal injury. These include:

- 1. Keep work area clean and well-lit** – Cluttered, dark areas invite accidents.
- 2. Avoid dangerous environments** – Do not use the power tool in rain, in damp or wet locations, or in bad weather, especially when there is a risk of lightning. This decreases the risk of being struck by lightning. Do not operate the power tool in gaseous or explosive atmospheres or use the power tool near flammable or combustible liquids. Motors in these tools normally spark, and the sparks might ignite fumes.
- 3. Know your product** – Know how to start and stop the machine. Be thoroughly familiar with the controls.
- 4. Keep children, bystanders, and pets away** – All spectators, including pets, should be kept a safe distance away from the work area.
- 5. Dress properly** – Do not wear loose clothing or jewelry. They can get caught in moving parts. Protective rubber gloves and non-slip footwear are recommended when working outdoors.

- 6. ⚠️ CAUTION!** – Exercise caution to avoid slipping or falling. Wear protective footwear that will protect your feet and improve your footing on slippery surfaces.
- 7. Stay alert** – Watch what you are doing. Use common sense. Do not operate the power tool when you are tired, or under the influence of alcohol or drugs.
- 8. Do not overreach** – Keep proper footing and balance at all times.
- 9. Prevent unintentional starting** – Ensure the switch is in the off-position before connecting to battery pack, picking up or carrying the appliance. Carrying the appliance with your finger on the switch or energizing appliance that have the switch on invites accidents.

NOTE: This warning is not applicable for batteries that cannot be disconnected from the appliance in normal use.

- 10. Use the right appliance** – Do not use the power tool for any applications other than those for which it was intended.
- 11. Blades are sharp** – Don't grasp the exposed cutting blades or cutting edges when picking up or holding the power tool.
- 12. Use two hands** – Hold the telescoping pole and handle with both hands to avoid loss of control.
- 13. Remove the battery** – Remove the battery from the power tool when it is not in use, before servicing it, when changing accessories, and when performing any other maintenance task.
- 14. Use safety glasses** – Also use safety footwear, snug-fitting clothing, protective gloves, hearing and head protection.
- 15. Use head protection** – Always use head protection when operating the power tool overhead. Falling debris can result in serious personal injury.
- 16. Do not force the tool** – It will perform better with less likelihood of personal or mechanical injury if it is used at the rate for which it was designed.
- 17. Store indoors** – When not in use, the power tool should be stored indoors in a dry and high or locked-up place out of the reach of children.
- 18. Check for damaged parts** – Before further use of the appliance, all guards and parts should be carefully checked to determine that it will operate properly and perform its intended function. Check for alignment of moving parts, binding of moving parts, breakage of parts, mounting, and any other condition that may affect its operation. A guard or other part that is damaged should be properly repaired or replaced. Contact the Snow Joe® + Sun Joe® customer service center at 1-866-SNOWJOE (1-866-766-9563) for assistance.

19. **Maintain the power tool with care** – Keep the cutting edges sharp and clean for optimal performance and to reduce the risk of injury. Keep the handles dry, clean, and free from oil and grease. Follow the additional recommendations described in the maintenance section of this manual.
20. Do not use the power tool if the switch does not turn it on and off. Any power tool that cannot be controlled with the switch is dangerous and must be repaired.
21. Keep all parts of the body away from the cutting blades or chain. Do not remove cut material or hold material to be cut when blades are moving. Make sure the switch is off when clearing jammed material. The blades or chain will continue moving for a while after the tool is turned off. A moment of inattention while operating the power tool may result in serious personal injury.
22. Carry the power tool by the handle with the cutting blade or chain stopped. When transporting or storing the power tool, always keep the blades or chain bar covered. Proper handling of the pole chain saw will reduce possible personal injury from the cutting blades or chain.
23. Hold the product by insulated gripping surfaces only, because the cutting blade or chain may contact hidden wiring. Cutting blades or chain contacting a “live” wire may make exposed metal parts of the product “live” and could give the operator an electric shock.
24. The unit has not been designed to provide protection from electric shock in the event of contact with overhead electric lines. Never use the power tool near any electrical power lines. Contact with or use near power lines may cause serious injury or electric shock resulting in death. Maintain a minimum clearance of 50 ft (15 m) from all power lines.

⚠️ WARNING! Before inspecting, cleaning, or servicing the machine, remove the battery and wait for all moving parts to stop. Failure to follow these instructions can result in serious personal injury or property damage.

⚠️ WARNING! Do not use this appliance without reading this instruction manual.

⚠️ WARNING! Do not use the appliance within range of persons unless they are wearing protective clothing.

⚠️ WARNING! Do not operate the cordless power tool in a tree, on a ladder, or on a scaffold. Using the tool under such circumstances is extremely dangerous.

⚠️ WARNING! Do not let familiarity with this type of tool prevent you from taking all necessary precautions. Remember that a careless fraction of a second is sufficient to inflict serious injury.

⚠️ WARNING! The cordless pole chain saw must be fully assembled before operation! Do not use the tool that is only partly assembled or assembled with damaged parts!

⚠️ WARNING! Starting, stopping, and restarting an electric motor repeatedly within a few seconds can generate a great deal of heat and damage the motor. To protect the life of your cordless power tool, always wait at least five seconds after stopping before restarting the unit.

⚠️ WARNING! Electrical Shock Hazard – Before starting up your machine, please check it carefully for any defects. If you find any, do not start up your machine and contact your distributor.

NOTE: Take care of small parts that are removed during assembly or when making adjustments. Keep them secure to avoid loss.

Please contact an authorized Snow Joe® + Sun Joe® dealer or call the Snow Joe® + Sun Joe® customer service center at 1-866-SNOWJOE (1-866-766-9563) for all maintenance or operations not foreseen in this manual. Any operation performed in an unauthorized service center or by unqualified personnel will completely invalidate the warranty.

⚠️ WARNING! For your safety and that of others:

- Correct maintenance is essential to maintain the original efficiency and safety of the machine over time.
- Keep all nuts, bolts, and screws tight to be sure the equipment is in safe working condition.
- Never use the machine with worn or damaged parts. Damaged parts are to be replaced and never repaired.

⚠️ WARNING! Always wear protective gloves during maintenance operations.

⚠️ WARNING! Use only original manufacturer’s replacement parts, accessories and attachments. Failure to do so can cause possible injury and poor performance.

To order genuine replacement parts or accessories for the Sun Joe® iON+ cordless pole chain saw, please visit sunjoe.com or contact the Snow Joe® + Sun Joe® customer service center at 1-866-SNOWJOE (1-866-766-9563).

Cleaning the Tool

⚠️ WARNING! Never let any liquid get inside the motor housing and **NEVER** immerse any part of the housing in liquid.

1. Stop the motor and remove the battery.
2. Clean dirt and debris from the body of the tool, using a damp cloth with a mild detergent.

NOTE: Do not use any strong detergents on the plastic housing or the handle, as they can be damaged by certain aromatic oils such as pine and lemon, and by solvents such as kerosene.

Storage

⚠️ WARNING! Do not at any time let brake fluids, gasoline, petroleum-based products, penetrating oils, etc., come in contact with plastic parts. Chemicals can damage, weaken, or destroy plastic which may result in serious personal injury.

1. Stop the motor and remove the battery.
2. Clean the pole chain saw thoroughly before storing.
3. Always place the bar sheath on the chain bar before storing or transporting the pole chain saw. Use caution to avoid the sharp teeth of the blade and the chain.
4. Store the pole chain saw indoors, in a dry place that is inaccessible to children. Keep away from corrosive agents such as garden chemicals and de-icing salts.
5. We recommend using the original package for storage or covering the product with a suitable cloth or enclosure to protect it against dust.

Specific Safety Warnings for Pole Chain Saw

1. Only the pole chain saw operator should be in the work area.
2. Do not use the pole chain saw to cut down trees.
3. Always use two hands when operating the pole chain saw. Grip the pole chain saw securely with one hand on the trigger and the other hand on the pole.
4. Before starting the pole chain saw, make sure that the saw chain is not in contact with any object.
5. Do not allow the pole chain saw to make contact with grounded objects such as pipes, fences, and metal posts.
6. Do not force the pole chain saw while cutting. Apply light pressure. It will perform more effectively and safely if it is used at the rate for which it was designed.
7. Use extreme caution when cutting a limb that is under tension. When wood tension is released, the limb could spring back and strike the operator, causing severe injury or death.
8. During transport, hold the pole at its balance point, with the guide bar and chain facing to the rear.
9. Do not cut small brush and saplings with the pole chain saw. Small branches may catch in the chain and be whipped towards the operator, which could pull the operator off balance.
10. Never stand directly under the limb you are trimming. Always position yourself outside the path of falling debris.
11. Keep a firm, steady pressure on the pole chain saw while cutting. Do not try to cut limbs larger in diameter than the length of the guide bar.
12. Keep other people and pets away from the cutting end of the pole chain saw and at a safe distance away from the work area.

Kickback

⚠️ WARNING! Kickback may occur when the nose or tip of the guide bar touches an object, or when the wood closes in and pinches the saw chain in the cut.

AVOID CONTACTING THE GUIDE BAR TIP WITH ANY OBJECT. In some cases, when the tip makes contact with an object, it may cause a fast reverse reaction, kicking the guide bar up and back towards the operator. Pinching the saw chain along the top of the guide bar may also push the guide bar rapidly back towards the operator. Either of these reactions may cause you to lose control of the pole chain saw, which could result in serious personal injury.

- Kickback safety devices on this pole chain saw include a skip chain and a low kickback guide bar. These will reduce, but not entirely prevent, kickbacks. Follow the necessary precautions indicated in this operator's manual to avoid kickbacks.
- Always use two hands when operating the pole chain saw, one hand gripping the trigger and the other hand gripping the pole. Use a firm grip. Thumbs and fingers must wrap around the trigger and the pole.
- Keep all guards in place on the pole chain saw. Make sure they are in proper working order.
- Do not overreach or extend arms above shoulder height.
- Keep solid footing and balance at all times.
- Never try cutting through two branches at the same time. Only cut one at a time.
- Do not bury the guide bar nose or try to cut by boring the guide bar nose into the wood.
- Watch for shifting of wood or other forces that may pinch the chain.
- Use extreme caution when re-entering a previous cut.
- Use the low-kickback chain and guide bar supplied with this pole chain saw. Only use genuine Snow Joe® + Sun Joe® replacement parts designed specifically for use with this pole chain saw.
- Never use a dull or loose chain. Keep the chain sharp and properly tensioned.

Battery & Charger Safety Instructions

We pay a great deal of attention to the design of every battery pack to ensure that we supply you with batteries that are safe, durable and have a high energy density. The battery cells have a wide range of safety devices. Each individual cell is initially formatted and its electrical characteristic curves are recorded. This data is then used exclusively to be able to assemble the best possible battery packs.

Despite all the safety precautions, caution must always be exercised when handling batteries. The following points must be obeyed at all times to ensure safe use. Safe use can only be guaranteed if undamaged cells are used. Incorrect handling of the battery pack can cause cell damage.

IMPORTANT! Analyses confirm that incorrect use and poor care of high-performance batteries are the main factors responsible for personal and/or product damage.

⚠️ WARNING! Use only approved replacement batteries; other batteries may damage the power tool and cause it to malfunction, which can lead to serious personal injury.

⚠️ WARNING! Do not use a battery pack or appliance that is damaged or modified. Damaged or modified batteries may exhibit unpredictable behavior resulting in fire, explosion or risk of injury.

Do not modify or attempt to repair the appliance or the battery pack except as indicated in the instructions for use and care.

Have your battery pack serviced by a qualified repair person using only identical replacement parts. This will ensure that the safety of the battery pack is maintained.

⚠️ CAUTION! To reduce the risk of injury, charge the iON+ 24V lithium-ion battery pack only in its designated iON+ 24V lithium-ion charger. Other types of chargers present risk of fire, personal injury and damage. Do not wire a battery pack to a power supply plug or car cigarette lighter. Such misuse will permanently disable or damage the battery pack.

- **Avoid dangerous environments** – Do not charge the battery pack in rain, snow or in damp or wet locations. Do not use the battery pack or charger in the presence of explosive atmospheres (gaseous fumes, dust or flammable materials) because sparks may be generated when inserting or removing the battery pack, which could lead to a fire.
- **Charge in a well-ventilated area** – Do not block the charger vents. Keep them clear to allow for proper ventilation. Do not allow smoking or open flames near a charging battery pack. Vented gases may explode.

NOTE: The safe temperature range for the battery is 41°F – 105°F (5°C – 40.5°C). Do not charge the battery outside in freezing weather; charge it at room temperature.

- **Maintain charger cord** – When unplugging the charger, pull the plug, not the cord, from the receptacle to reduce the risk of damage to the electrical plug and cord. Never carry the charger by its cord or yank it by the cord to disconnect it from the receptacle. Keep the cord away from heat, oil and sharp edges. Make sure the cord will not be stepped on, tripped over or subjected to damage or stress when the charger is in use. Do not use the charger with a damaged cord or plug. Replace a damaged charger immediately.
- **Do not use an extension cord unless it is absolutely necessary** – Using the wrong, damaged or improperly wired extension cord poses a risk of fire and electric shock. If an extension cord must be used, plug the charger into a properly wired 16 gauge or larger extension cord with the female plug matching the male plug on the charger. Make sure that the extension cord is in good electrical condition.

- **Charger 24VCHRG-AC is rated for 100 – 240 volt AC only** – The charger must be plugged into an appropriate receptacle.
- **Use only recommended attachments** – Use of an attachment not recommended or sold by the battery charger or battery pack manufacturer may result in risk of fire, electric shock or personal injury.
- **Unplug charger when not in use** – Make sure to remove battery packs from unplugged chargers.

⚠️ WARNING! To reduce the risk of electric shock, always unplug the charger before performing any cleaning or maintenance. Do not allow water to flow into the charger. Use a Ground Fault Circuit Interrupter (GFCI) to reduce shock hazards.

- **Do not burn or incinerate battery packs** – Battery packs may explode, causing personal injury or damage. Toxic fumes and materials are created when battery packs are burned.
- **Do not crush, drop or damage battery packs** – Do not use the battery pack or charger if they have sustained a sharp blow, been dropped, run over or have been damaged in any way (i.e. pierced with a nail, hit with a hammer, stepped on, etc.).
- **Do not disassemble** – Incorrect reassembly may pose a serious risk of electric shock, fire or exposure to toxic battery chemicals. If the battery or charger are damaged, contact an authorized Snow Joe® + Sun Joe® dealer or call the Snow Joe® + Sun Joe® customer service center at 1-866-SNOWJOE (1-866-766-9563) for assistance.
- **Battery chemicals cause serious burns** – Never let a damaged battery pack contact the skin, eyes or mouth. If a damaged battery pack leaks battery chemicals, use rubber or neoprene gloves to safely dispose of it. If skin is exposed to battery fluids, wash the affected area with soap and water and rinse with vinegar. If eyes are exposed to battery chemicals, immediately flush with water for 20 minutes and seek medical attention. Remove and dispose of contaminated clothing.
- **Do not short circuit** – When battery pack is not in use, keep it away from other metal objects, like paper clips, coins, keys, nails, screws or other small metal objects, that can make a connection from one terminal to another. Shorting the battery terminals together may cause burns or a fire.
- **Store your battery pack and charger in a cool, dry place** – Do not store the battery pack or charger where temperatures may exceed 105°F (40.5°C), such as in direct sunlight or inside a vehicle or metal building during the summer.

Information about the battery

1. The battery pack supplied with your cordless power tool is only partially charged. The battery pack has to be charged completely before you use the tool for the first time.
2. For optimum battery performance, avoid low discharge cycles by charging the battery pack frequently.
3. Store the battery pack in a cool place, ideally at 77°F (25°C) and charged to at least 40%.
4. Lithium-ion batteries are subject to a natural aging process. The battery pack must be replaced at the latest when its capacity falls to just 80% of its capacity when new. Weakened cells in an aged battery pack are no longer capable of meeting the high power requirements needed for the proper operation of your cordless pole chain saw, and therefore pose a safety risk.
5. Do not throw battery packs into an open fire as this poses a risk of explosion.
6. Do not ignite the battery pack or expose it to fire.
7. Do not exhaustively discharge batteries. Exhaustive discharge will damage the battery cells. The most common cause of exhaustive discharge is lengthy storage or non-use of partially discharged batteries. Stop working as soon as the performance of the battery falls noticeably or the electronic protection system triggers. Place the battery pack in storage only after it has been fully charged.
8. Protect batteries and the tool from overloads. Overloads will quickly result in overheating and cell damage inside the battery housing even if this overheating is not apparent externally.
9. Avoid damage and shocks. Immediately replace batteries that have been dropped from a height of more than 3 feet (1 meter) or those that have been exposed to violent shocks, even if the housing of the battery pack appears to be undamaged. The battery cells inside the battery may have suffered serious damage. In such instances, please read the waste disposal information for proper battery disposal.
10. If the battery pack suffers overloading and overheating, the integrated protective cutoff will switch off the equipment for safety reasons.

IMPORTANT! Do not press the ON/OFF trigger switch any more if the protective cut-off has been activated. This may damage the battery pack.

11. Recharge only with the charger specified by the manufacturer. A charger that is suitable for one type of battery pack may create a risk of fire when used with another battery pack.
12. Use appliances only with specifically designated battery packs. Use of any other battery packs may create a risk of injury and fire.
13. Under abusive conditions, liquid may be ejected from the battery; avoid contact. If contact accidentally occurs, flush with water. If liquid contacts eyes, additionally seek medical help. Liquid ejected from the battery may cause irritation or burns.

14. Do not use a battery pack or appliance that is damaged or modified. Damaged or modified batteries may exhibit unpredictable behavior resulting in fire, explosion or risk of injury.
15. Do not expose a battery pack or appliance to fire or excessive temperature. Exposure to fire or temperature above 266°F (130°C) may cause explosion.
16. Follow all charging instructions and do not charge the battery pack or appliance outside of the temperature range specified in the instructions. Charging improperly or at temperatures outside of the specified range may damage the battery and increase the risk of fire.

Information about the charger and the charging process

1. Please check the data marked on the rating plate of the battery charger. Be sure to connect the battery charger to a power supply with the voltage marked on the rating plate. Never connect it to a different mains voltage.
2. Protect the battery charger and its cord from damage. Keep the charger and its cord away from heat, oil and sharp edges. Have damaged cords repaired without delay by a qualified technician at an authorized Snow Joe® + Sun Joe® dealer or call the Snow Joe® + Sun Joe® customer service center at 1-866-SNOWJOE (1-866-766-9563).
3. Electrical plugs must match the outlet. Never modify the plug in any way. Do not use any adapter plugs with grounded appliances. Unmodified plugs and matching outlets will reduce the risk of electric shock.
4. Keep the battery charger, battery pack(s) and the cordless tool out of the reach of children.
5. Do not use the supplied battery charger to charge other cordless tools.
6. During periods of heavy use, the battery pack will become warm. Allow the battery pack to cool to room temperature before inserting it into the charger to recharge.
7. Do not overcharge batteries. Do not exceed the maximum charging times. These charging times only apply to discharged batteries. Frequent insertion of a charged or partially charged battery pack will result in overcharging and cell damage. Do not leave batteries in the charger for days on end.
8. Never use or charge batteries if you suspect that it has been more than 12 months since the last time they were charged. There is a high probability that the battery pack has already suffered dangerous damage (exhaustive discharge).
9. Charging batteries at a temperature below 41°F (5°C) will cause chemical damage to the cells and may cause a fire.
10. Do not use batteries that have been exposed to heat during the charging process, as the battery cells may have suffered dangerous damage.
11. Do not use batteries that have suffered curvature or deformation during the charging process or those that exhibit other atypical symptoms (gassing, hissing, cracking, etc.).







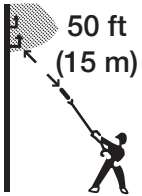



12. Never fully discharge the battery pack (maximum recommended depth of discharge is 80%). A complete discharge of the battery pack will lead to premature aging of the battery cells.

Protection from environmental influences

1. Wear suitable work clothes. Wear safety goggles.
2. Protect your cordless tool and the battery charger from moisture and rain. Moisture and rain can cause dangerous cell damage.
3. Do not use the cordless tool or the battery charger near vapors and flammable liquids.
4. Use the battery charger and cordless tools only in dry conditions and at an ambient temperature of 41°F – 105°F (5°C – 40.5°C).
5. Do not keep the battery charger in places where the temperature is liable to reach over 105°F (40.5°C). In particular, do not leave the battery charger in a car that is parked in the sunshine.
6. Protect batteries from overheating. Overloads, overcharging and exposure to direct sunlight will result in overheating and cell damage. Never charge or work with batteries that have been overheated – replace them immediately, if possible.
7. Store the charger and your cordless tool only in dry locations with an ambient temperature of 41°F – 105°F (5°C – 40.5°C). Store your lithium-ion battery pack in a cool, dry place at a temperature of 77°F (25°C). Protect the battery pack, charger and cordless tool from humidity and direct sunlight. Only place fully charged batteries in storage (charged to at least 40%).
8. Prevent the lithium-ion battery pack from freezing. Battery packs that were stored below 32°F (0°C) for more than 60 minutes must be discarded.
9. When handling batteries, be wary of electrostatic charge. Electrostatic discharges can damage the electronic protection system and the battery cells. Avoid electrostatic charging and never touch the battery poles.

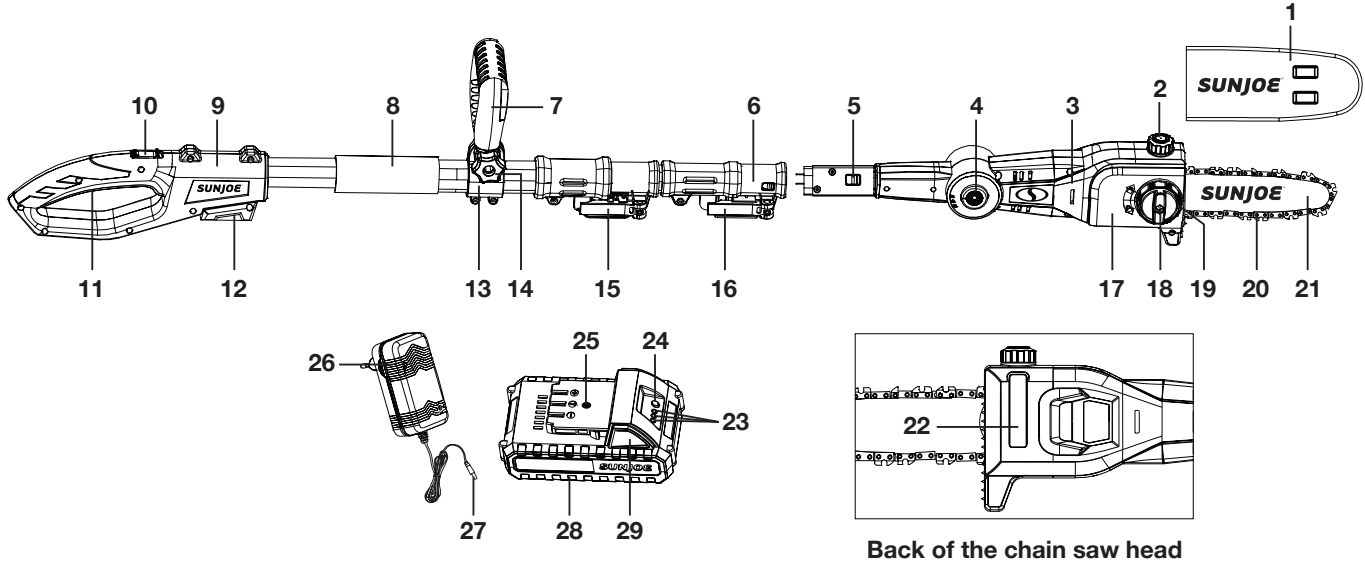
Safety Symbols

The following table depicts and describes safety symbols that may appear on this product. Read, understand, and follow all instructions on the machine before attempting to assemble and operate.

Symbols	Descriptions	Symbols	Descriptions
	READ THE OPERATOR'S MANUAL(S) – Read, understand, and follow all instructions in the user manual(s) before attempting to assemble and operate.		SAFETY ALERT – Indicates a precaution, a warning, or a danger.
	WARNING! Do not expose the unit to rain or wet conditions. Keep dry.		WEAR EYE AND HEARING PROTECTION – For protection against injury, wear ear defenders and safety goggles.
	Wear protective gloves and non-slip footwear when using the machine and handling debris.		Indoor use only. Only use battery charger indoors.
	WARNING! SHOCK HAZARD – Keep at least 50 ft (15 m) away from power lines. Do not overreach. Keep proper footing and balance at all times.		DANGER! ROTATING BLADES – Keep hands and feet away from openings while the saw is running.
	Thrown objects and rotating blade can cause severe injury.		Keep bystanders a minimum distance of 50 ft (15 m) away from the work area.

Know Your Cordless Pole Chain Saw

Read the owner's manual and safety instructions carefully before operating the cordless pole chain saw. Compare the illustration below to the cordless pole chain saw in order to familiarize yourself with the location of the various controls and adjustments. Save this manual for future reference.



- | | | |
|-------------------------------------|-----------------------------------|--|
| 1. Cutting bar sheath | 12. Battery compartment | 23. Battery indicators |
| 2. Oil tank cap | 13. Auxiliary handle loop | 24. Push button for battery indicator |
| 3. Chain saw head | 14. Auxiliary handle lock knob | 25. Charge socket |
| 4. Multi-angle head adjustment dial | 15. Telescoping lock | 26. iON+ 24V lithium-ion battery charger (24VCHRG-AC) |
| 5. Lock tab | 16. Assembly lock | 27. Charger plug |
| 6. Telescoping pole | 17. Chain/sprocket end cover | 28. iON+ 24V lithium-ion battery (24VBAT-LTE) featuring exclusive EcoSharp® technology |
| 7. Auxiliary handle | 18. Chain/sprocket end cover knob | 29. Push lock button |
| 8. Soft grip | 19. Chain tensioner ring | |
| 9. Rear handle | 20. 8 in. (20.3 cm) chain | |
| 10. Safety lock switch | 21. 8 in. (20.3 cm) guide bar | |
| 11. Trigger switch | 22. Oil level indicator window | |

Technical Data

Motor	350 W	Bar Chain Length	8 in. (20.3 cm)
Battery Voltage Max*	24V D.C.	Cutting Thickness Max	7.5 in. (19 cm)
Battery Capacity	2.0 Ah		<i>Recommended: 6.5 in. (16.5 cm)</i>
Battery Runtime Max	Up to 32 cuts of 4" x 4" pine	Multi-Angle Head	0° to 30°
Charger Input	100 – 240V AC, 50 – 60 Hz, 50 W	Telescopic Pole	3.7 ft to 7.2 ft (1.1 m to 2.2 m)
Charger Output	25.2 V DC, \equiv 1400 mA	Auxiliary Handle Angles.....	-45° 0° 45°
Charge Time Max	1 hr 20 min	Overhead Reach.....	Up to 14 ft (4.3 m)
No Load Speed	2800 rpm	Oil Tank Capacity	2.7 fl oz (80 ml)
		Net Weight	7.7 lbs (3.5 kg)

*Initial no-load voltage, when fully charged, peaks at 24 volts; nominal voltage under typical load is 21.6 volts.

Unpacking

Carton Contents

- Telescoping pole with auxiliary handle
- Chain saw head with chain and bar pre-mounted
- Chain saw bar sheath
- iON+ 24V lithium-ion battery
- iON+ 24V lithium-ion battery charger
- Hex key wrench
- Manual with registration card

1. Carefully remove the cordless pole chain saw and check to see that all of the above items are supplied.
2. Inspect the product carefully to make sure no breakage or damage occurred during shipping. If you find damaged or missing parts, DO NOT return the unit to the store. Please call the Snow Joe® + Sun Joe® customer service center at 1-866-SNOWJOE (1-866-766-9563).

NOTE: Do not discard the shipping carton and packaging material until you are ready to use your new cordless pole chain saw. The packaging is made of recyclable materials. Properly dispose of these materials in accordance with local regulations.

IMPORTANT! The equipment and packaging material are not toys. Do not let children play with plastic bags, foils, or small parts. These items can be swallowed and pose a suffocation risk!





Battery Pack Operation

The equipment is powered by a lithium-ion battery. The battery pack is completely sealed and maintenance free.

Battery Charge Level Indicator

The battery pack is equipped with a push button for checking the charge level. Simply press the push button to read off the battery charge level from the LEDs of the battery indicator:

- All 3 level monitoring LEDs are lit: Battery charge level is high.
- 2 level monitoring LEDs are lit: Battery charge level is decreasing. Stop work as soon as possible.
- 1 level monitoring LED is lit: Battery is flat. Stop work IMMEDIATELY and charge the battery. Otherwise the battery's service life will be greatly shortened.

Lights	Light Indicators
	Charge level button
	The battery is at 30% capacity and requires charging
	The battery is at 60% capacity and requires charging soon
	The battery is at full capacity

NOTE: If the charge level button does not appear to be working, insert the charger and charge as needed.

NOTE: Immediately after using the battery pack, the charge level button may display a lower charge than it will if checked a few minutes later. The battery cells "recover" some of their charge after resting.

Charger Operation

⚠ WARNING! Charge only iON+ 24V lithium-ion battery packs with its compatible iON+ 24V lithium-ion charger. Other types of batteries may cause personal injury and damage.

To reduce the risk of electric shock, do not allow water to flow into the charger's AC/DC plug.

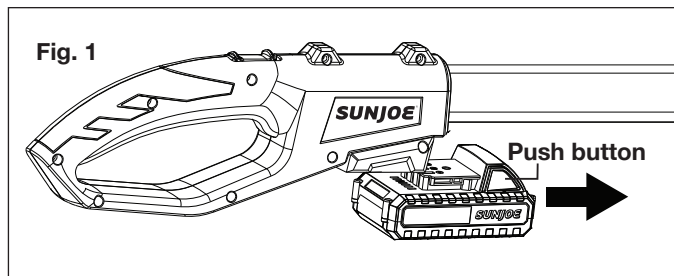
When to Charge the iON+ 24VBAT-LTE Lithium-iON Battery

NOTE: The iON+ 24VBAT-LTE lithium-ion battery packs do not develop a "memory" when charged after only a partial discharge. Therefore, it is not necessary to run down the battery pack before inserting the charger plug.

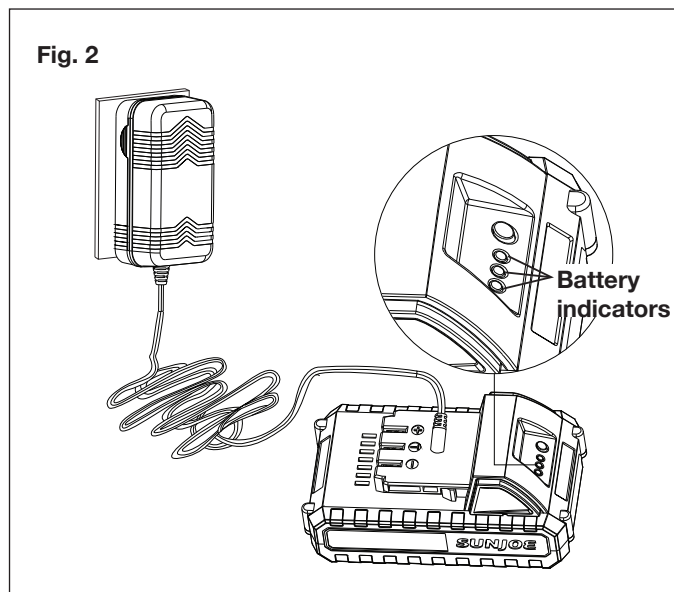
- Use the battery indicator lights to determine when to charge your iON+ 24VBAT-LTE lithium-ion battery pack.
- You can "top-off" your battery pack's charge before starting a big job or after a long day of use.

Charging the Battery

1. Push the push lock button on the battery to pull the battery pack out from the battery compartment (Fig. 1).



2. Check that the mains voltage is the same as that marked on the rating plate of the battery charger. Then, plug the charger adapter into an appropriate AC power outlet. Connect the charger plug into the charge socket of the battery to start charging (Fig. 2).



3. The battery will take approximately 1 hr 20 minutes to charge. The battery indicator LEDs will twinkle and illuminate one by one during the charging process. Unplug the charger immediately when the 3 LEDs are all illuminated.

⚠ CAUTION! FIRE HAZARD. When disconnecting the charger from the battery, be sure to unplug the charger from the outlet first, then disconnect the charger from the battery.

⚠ WARNING! This charger does not automatically turn off when the battery is fully charged. Please take care not to leave the battery plugged into the charger. Switch off or unplug the charger at the mains when charging is complete.

4. Timely recharging of the battery will help prolong the battery's life. You must recharge the battery pack when you notice a drop in the equipment's power.

IMPORTANT! Never allow the battery pack to become fully discharged as this will cause irreversible damage to the battery.

Assembly

⚠ DANGER! Never start the motor before installing the guide bar, chain, and chain/sprocket end cover. Without all these parts in place, the clutch can fly off or explode, exposing the user to potentially serious injuries.

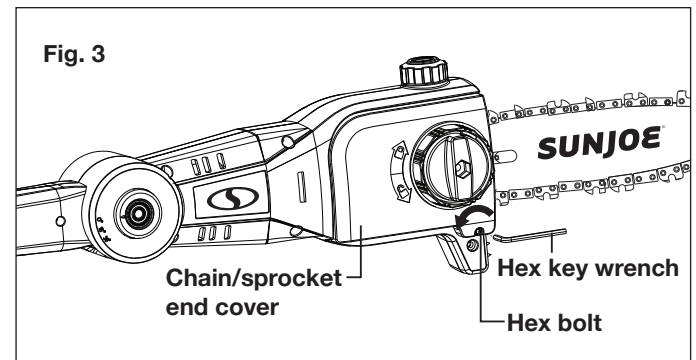
Installing/Replacing Guide Bar + Cutting Chain

Tools and supplies required:

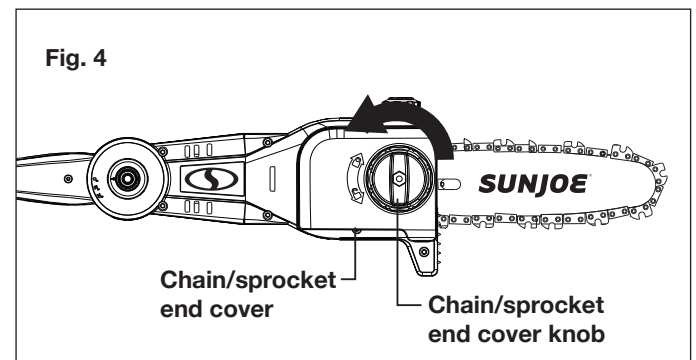
- Hex key wrench (provided)
- Heavy-duty work gloves

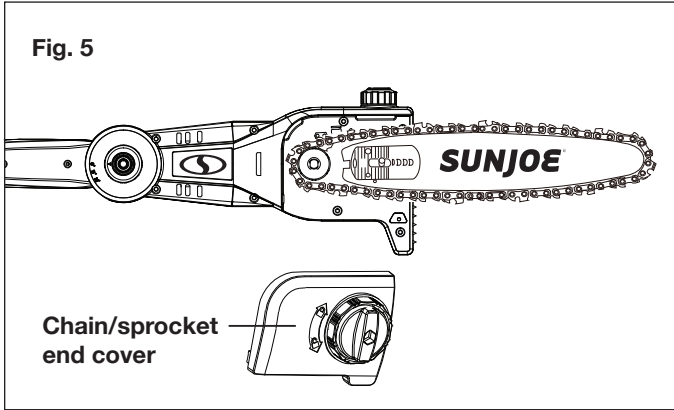
NOTE: When replacing the guide bar and chain, use only identical replacement parts. Make sure the pole chain saw is disconnected with the battery before proceeding with installation.

1. Remove the hex bolt by screwing it counterclockwise with the hex key wrench (Fig. 3).

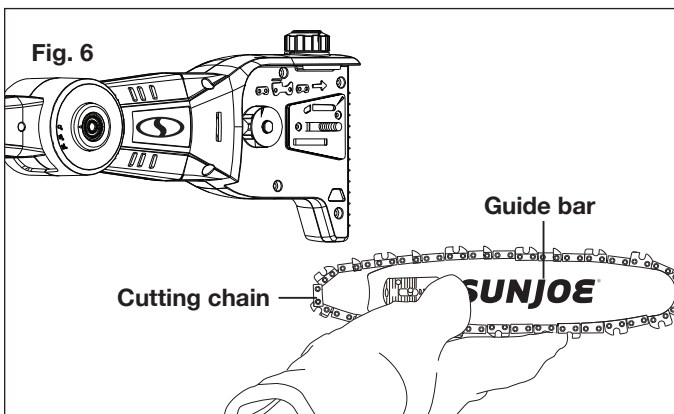



2. Screw the chain/sprocket end cover knob counterclockwise to release chain/sprocket end cover (Figs. 4 – 5).

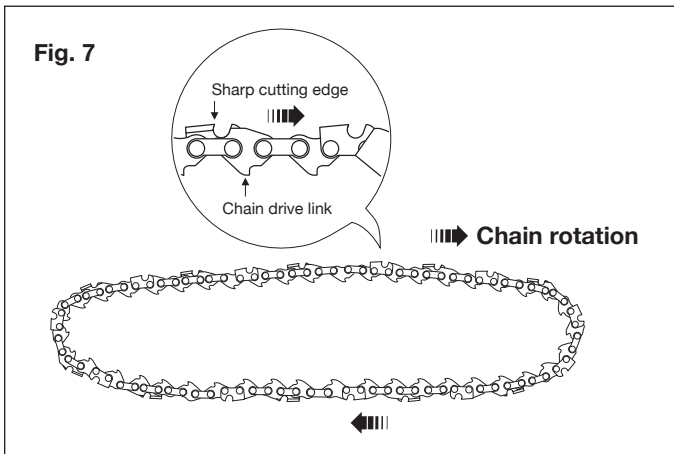





3. Remove the bar and chain from the mounting surface (Fig. 6).

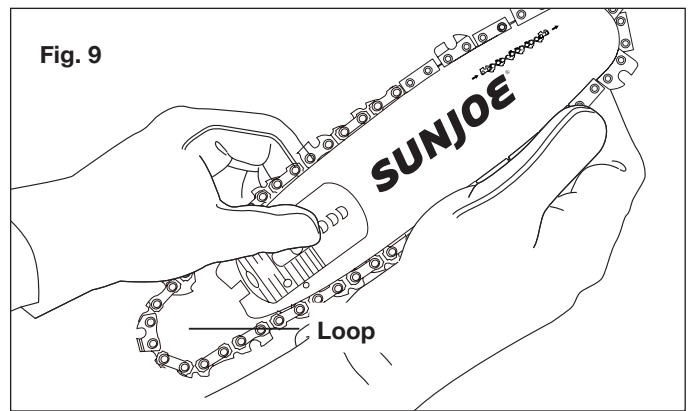
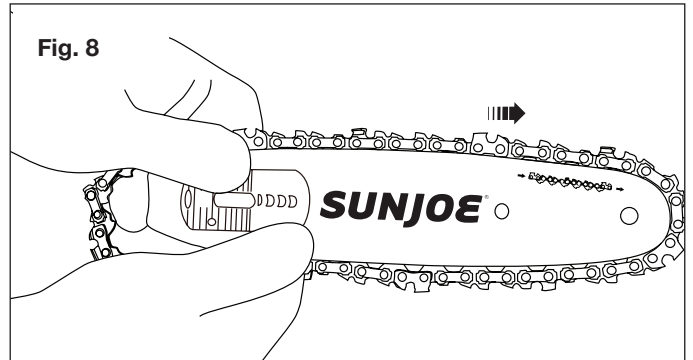


4. Remove the old chain from the bar.
 5. Lay out the new saw chain in a loop and straighten any kinks. **THE SHARP SIDE OF THE TEETH MUST FACE AWAY FROM YOU IN THE DIRECTION OF THE CHAIN ROTATION INDICATED ON THE GUIDE BAR** →  →. If the teeth face backwards, turn the loop over (Fig. 7).

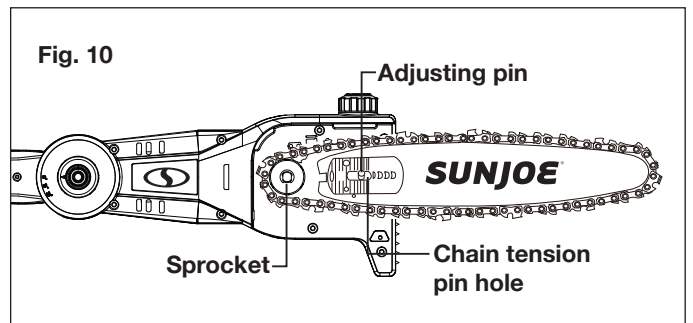


6. Starting at the tip, mount the chain drive links into the bar groove, leaving a loop at the back of the bar. The chain will loosely fit until it is placed on the sprocket (Figs. 8 – 9).

NOTE: Make certain of the direction of the chain →  →. If the chain is mounted backwards, the saw will vibrate abnormally and will not cut.



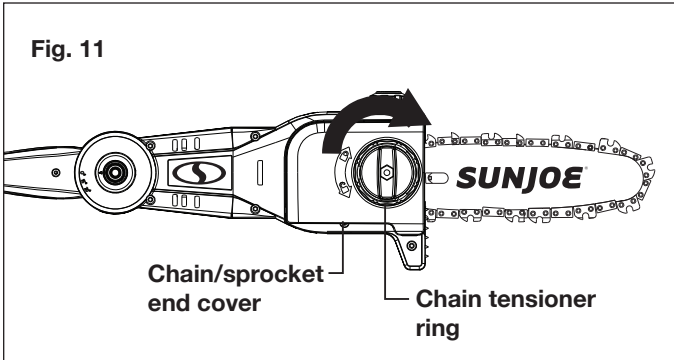
7. Hold the chain in position on the bar and place the loop around the sprocket. Fit the bar flush against the mounting surface so that the bar studs are in the long slot of the bar and the adjusting pin is in the chain tension pin hole (Fig. 10).



8. Replace the chain/sprocket end cover by positioning the cover onto the saw head. Tighten the end cover knob, but leave the bar free to move for tension adjustment. Put back the hex bolt by screwing it clockwise with the hex key wrench.

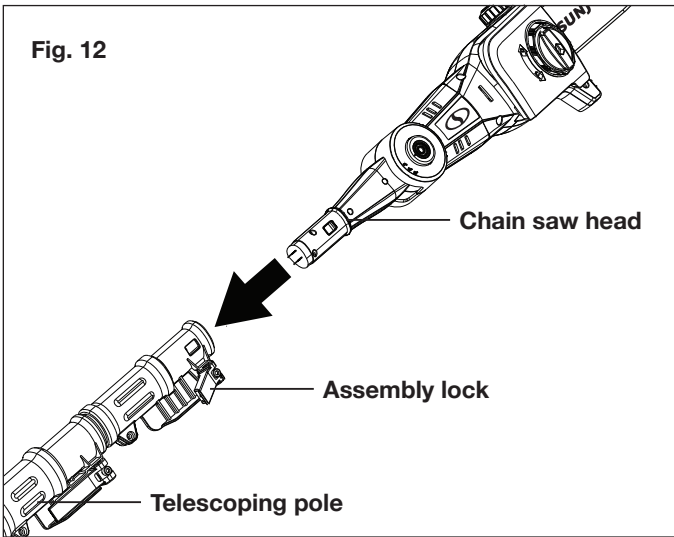
9. Remove all slack from the chain by turning the chain tensioner ring clockwise until the chain seats snugly against the bar with the drive links in the bar groove (Fig. 11).

NOTE: The chain is correctly tensioned when there is no sag on the underside of the guide bar; the chain is snug, but can be rotated by hand without binding. For more information on chain tensioning, see the maintenance section beginning on pg. 16.

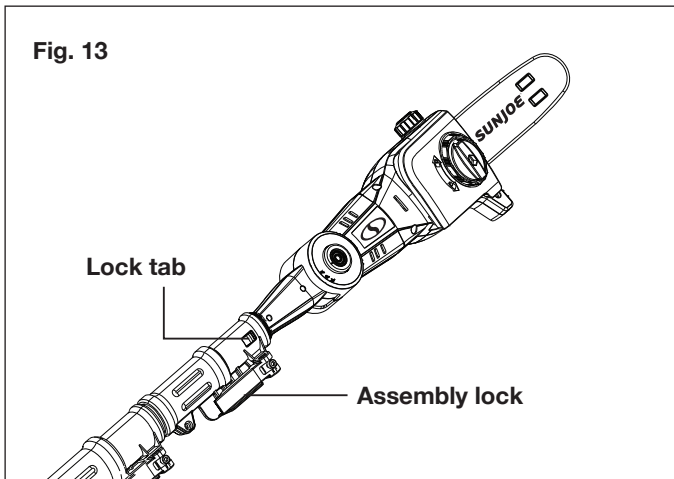


Connecting to the Telescoping Pole

1. Open the assembly lock on the telescoping pole, and push the chain saw head into the opening on the end of the pole (Fig. 12).



2. When the lock tabs snap in, lock back the assembly lock, the pole chain saw will be ready to use (Fig. 13).

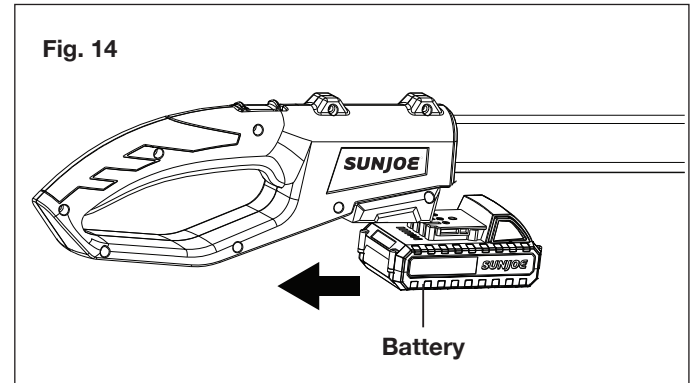


3. To remove the chain saw head, release the On/Off trigger switch and remove the battery. Unlock the assembly lock. Push the lock tabs on both sides, and pull the chain saw head out (Fig. 13).

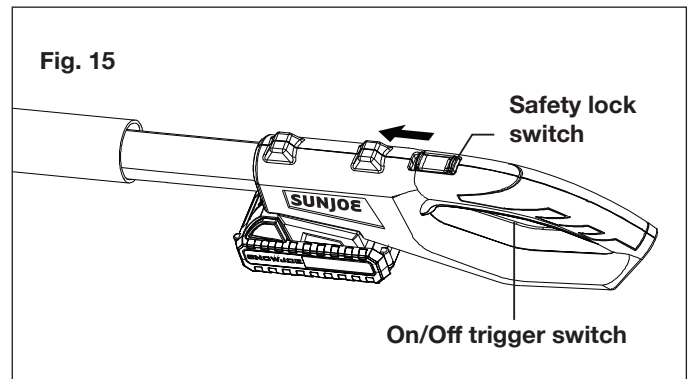
Operation

Starting and Stopping

1. Slide the battery into the battery compartment until it clicks to lock it into position (Fig. 14).



2. To turn the pole chain saw ON, push and hold the safety lock switch (located on the handle) forward with your thumb and then squeeze the On/Off trigger switch with your fingers. Once the tool is running, you can release the safety lock switch (Fig. 15).



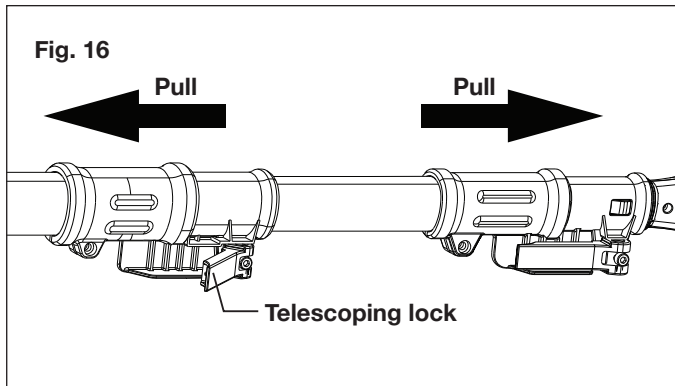
3. To turn the tool OFF, release the On/Off trigger switch (Fig. 15).

Adjusting the Telescoping Pole

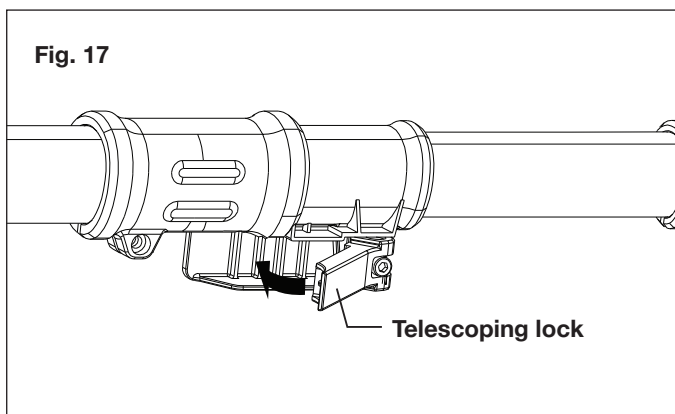
This machine is equipped with a telescoping pole which provides up to 14 ft (4.3 m) of overhead reach. To adjust the telescoping pole, follow the instructions below.

1. Disconnect the saw from the power supply by removing the battery from the compartment.
2. Unclip the telescoping lock to release the pole. Extend the pole to the desired length (Fig. 16).

NOTE: Push poles toward each other to shorten the pole or pull them away from each other to lengthen the pole. Only extend the pole to the minimum length required to reach the limb.



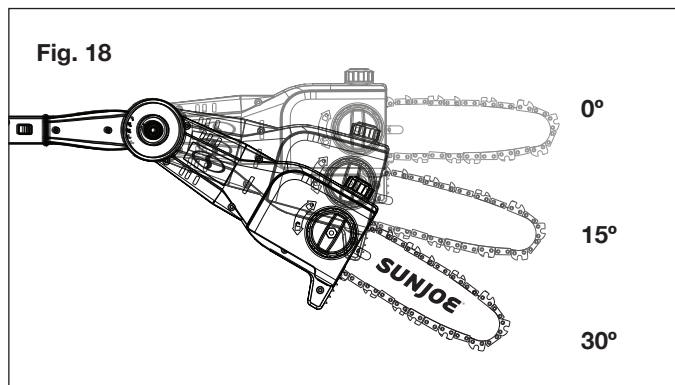
3. Lock the pole in position by closing the telescoping lock (Fig. 17), and ensure that the pole is secured.



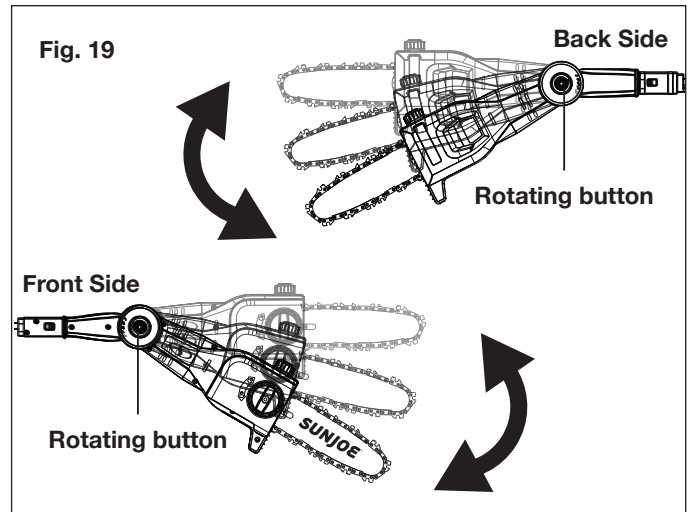
⚠ WARNING! Failure to lock the telescoping lock as directed could result in personal injury.

Adjusting the Multi-Angle Head

The pole chain saw head can be rotated for different cutting angles for 0°, 15°, and 30° (Fig. 18). Follow the below instructions to adjust angles.



1. Rotate the chain saw head to the desired cutting angle while pressing the rotating buttons located on both sides simultaneously (Fig. 19).



2. Release the buttons when the chain saw head is set to the desired angle.

NOTE: Failure to properly secure the chain saw head may result in personal injury and/or property damage.

⚠ WARNING! Always ensure the chain saw head is securely locked! Do not attempt to use the pole chain saw with the head in any other position or unlocked!

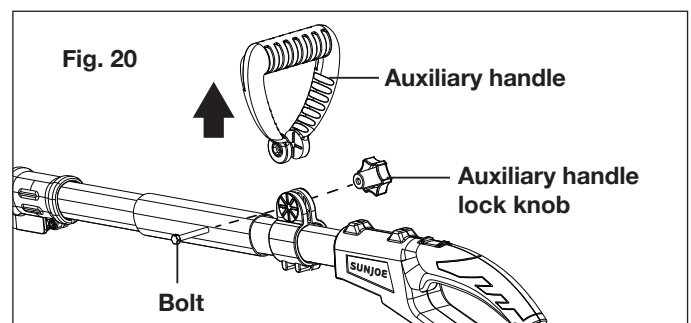
Adjusting the Auxiliary Handle

The chain saw is equipped with an auxiliary handle that can be adjusted and removed. Follow the instruction below to operate the auxiliary handle

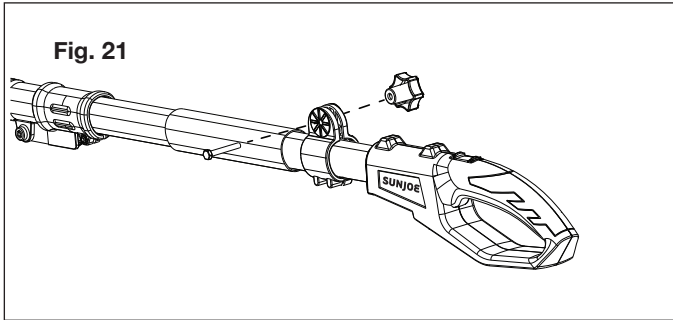
⚠ WARNING! Make sure the knob, bolt, and the screws are fixed into place. Failure to lock any of them as directed could result in personal injury or property damage.

To Remove the Auxiliary Handle

1. Disconnect the saw from the power supply by removing the battery from the compartment.
2. Unscrew the auxiliary handle lock knob and remove it and the bolt, then the auxiliary handle can be pulled out (Fig. 20).

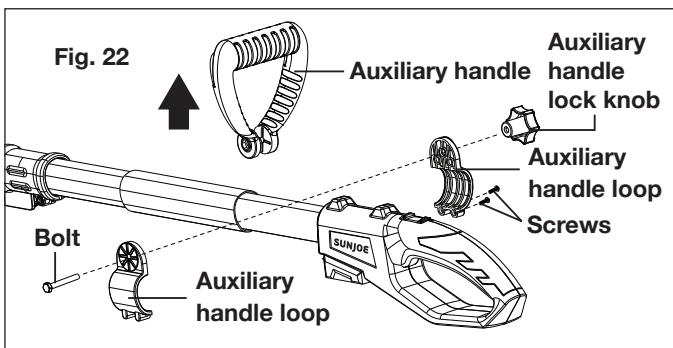


3. Re-assemble the auxiliary handle lock knob and the bolt on (Fig. 21).



To Adjust the Position of the Auxiliary Handle

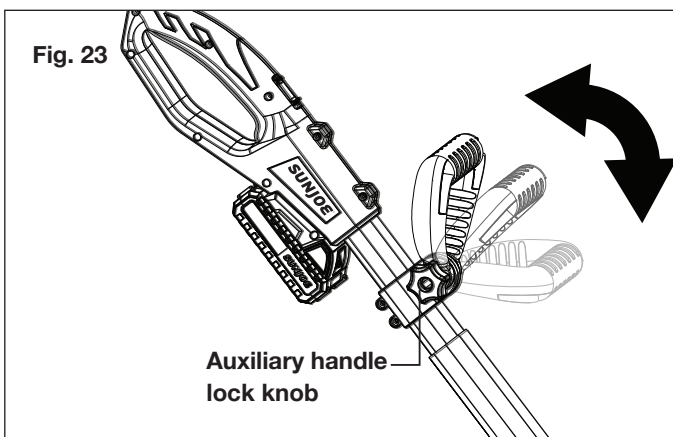
1. Disconnect the saw from the power supply by removing the battery from the compartment.
2. Remove the auxiliary handle lock knob, the bolt, and the auxiliary handle. Use a screw driver to remove the two screws that used to fix the auxiliary handle loops. Remove the loops from the pole (Fig. 22).



3. Re-assemble the auxiliary handle loop on the desired spot on the pole by using the two screws, and put back the auxiliary handle, the auxiliary handle lock knob and the bolt (Fig. 22).

To Adjust the Angle of the Auxiliary Handle

1. Stop the saw by releasing the On/Off switch.
2. The auxiliary handle can be adjusted in -45° , 0° , 45° . Rotate the auxiliary handle lock knob to unlock the handle, and then rotate the handle to the desired angle (Fig. 23).



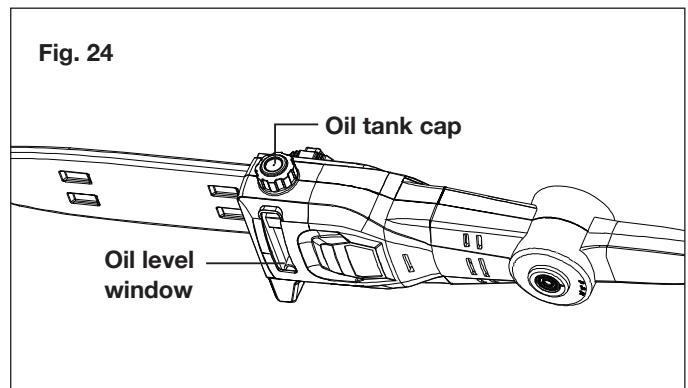
3. Rotate the auxiliary handle lock knob back to lock the handle in position.

Cutting Tips for Pole Chain Saw

⚠ CAUTION!

- Before starting the saw, remove the oil tank cap and add bar & chain oil to the top of the oil level window (Fig. 24). One minute of use will consume approximately 0.15 fl oz (4 ml) of oil. Refill when the oil level drops to 1/4 of a tank.

NOTE: Your pole chain saw head is equipped with an automatic oil pump for bar and chain oiling. You must add bar and chain oil or your pole chain saw will not function.



⚠ WARNING! Be sure that the chain is not in contact with any object when you start the motor.

⚠ WARNING! Keep hands away from chain. Keep hands on handles. Do not overreach.

A good, firm grip on the tool using both hands will help you maintain control. Place one hand on the soft grip or the telescoping pole, and the other hand on the handle with your thumbs and fingers encircling the pole and handle. A firm grip combined with proper positioning of the handle against your body will help you maintain control of the saw. Do not let go of the saw while it is in operation.

⚠ CAUTION! The chain will continue to run for several seconds after turning off the tool.

Do not use the pole chain saw under wet conditions. Use extreme caution when cutting small brush, saplings, or limbs under tension because slender and tense material may catch the saw and be whipped toward you, pull you off balance, or spring back.

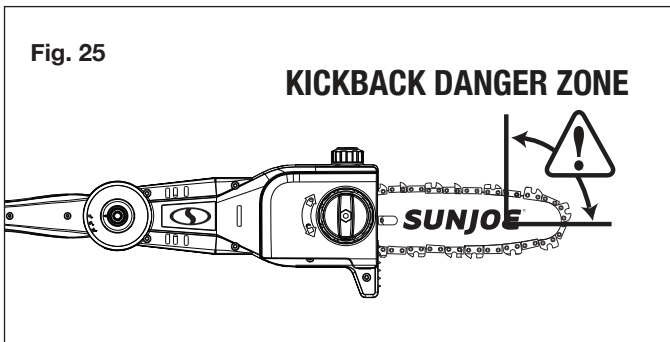
Do not use the pole chain saw to cut vines and/or small underbrush.

Prior to each cutting session, run through the daily checklist (see pg. 18).

⚠ WARNING! Do not cut trees near electrical wires.

⚠ WARNING! Failure to lubricate the chain will cause damage to the bar and chain. Use only a good quality bar and chain oil designed specifically for use with chain saws. One minute of use will consume approximately 0.15 fl oz. (4 ml) of oil.

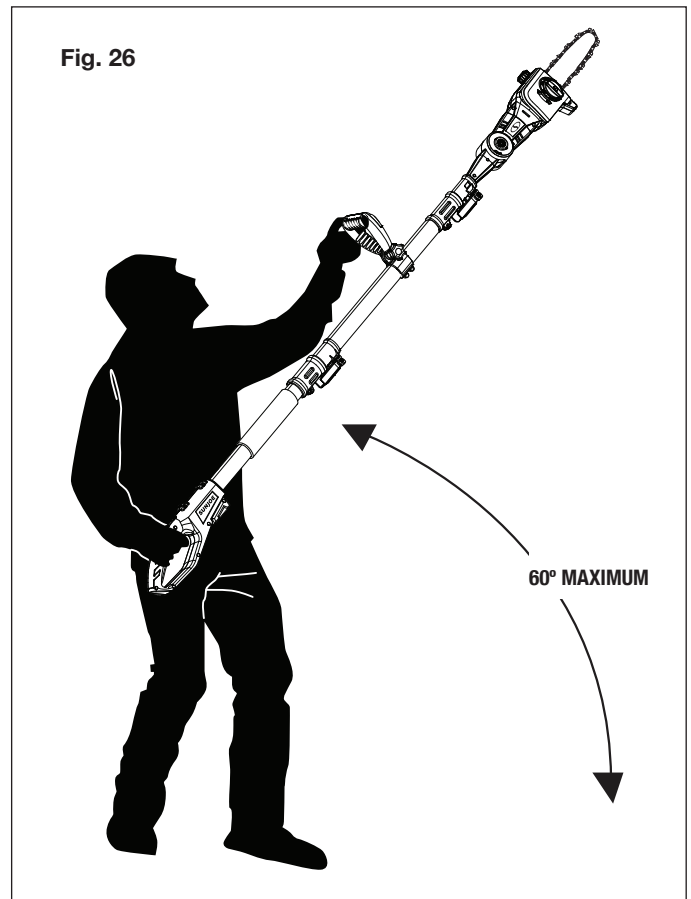
NOTE: It is normal for oil to seep from the saw when not in use. To prevent seepage, empty the oil tank after each use. When storing the unit for a long period of time (3 months or longer), be sure the chain is lightly lubricated; this will prevent rust on the chain and bar sprocket.



⚠ WARNING! Kickback may occur when the moving chain contacts an object at the upper portion of the tip of the guide bar or when the wood closes in and pinches the chain saw in the cut (Fig. 25). Contact at the upper portion of the tip of the guide bar can cause the chain to dig into the object and stop the chain for an instant. The result is a lightning-fast reverse reaction, which kicks the guide bar up and back toward the operator. If the chain saw is pinched along the top of the guide bar, the guide bar can be driven rapidly back toward the operator. Either of these reactions can cause loss of saw control, which can throw the operator off balance and result in serious injury. Do not rely exclusively upon the safety devices built into the saw. As a user, you should take several precautions to keep your cutting jobs free from accident or injury.

Proper Cutting Stance

- Balance your weight with both feet on solid ground.
- Your body should always be to the left of the chain line.
- The most typical cutting application is to position the unit at an angle of 60° or less depending on the specific situation (Fig. 26). As the angle of the pole chain saw shaft to the ground increases, the difficulty of making the first cut (from the underside of limb) increases.



Basic Cutting Procedure

This unit with the chain saw head is designed for trimming small branches and limbs up to recommended 6.5 in. (16.5 cm), not to exceed a Max. cut of 7.5 in. (19 cm) in diameter depending on type of wood. Practice cutting a few small limbs using the following technique to get the “feel” of using the saw before you begin a major sawing operation.

- Take the proper stance in front of the tree with the saw OFF (Fig. 26).
- Squeeze the On/Off trigger switch and let the chain accelerate to full speed before entering the cut.
- Keep the saw running the entire time you are cutting; maintain a steady speed.
- Allow the chain to cut for you; exert only light downward pressure. If you force the cut, damage to the bar, chain, or unit can result.
- **PUSH and PULL** – This reaction force is always opposite to the direction the chain is moving when it is in contact with the wood. Thus, the operator must be ready to control the **PULL** when cutting on the bottom edge of the bar, and **PUSH** when cutting along the top edge.
- Do not put pressure on the saw at the end of the cut.

Pruning

Pruning is the process of trimming limbs from a live tree.

- Remove long branches in several stages.
- Cut lower branches first to allow the top branches more room to fall.
- When pruning trees, it is important not to make the finishing cut next to the main limb or trunk until you have cut off the farthest lying limb. This will reduce the weight and prevent stripping the bark from the main member.
- Under cut the branch 1/3 through for your first cut. Your second cut should over cut to drop the branch off (Fig. 27). Be prepared to balance the weight of the pole chain saw when the limb falls.

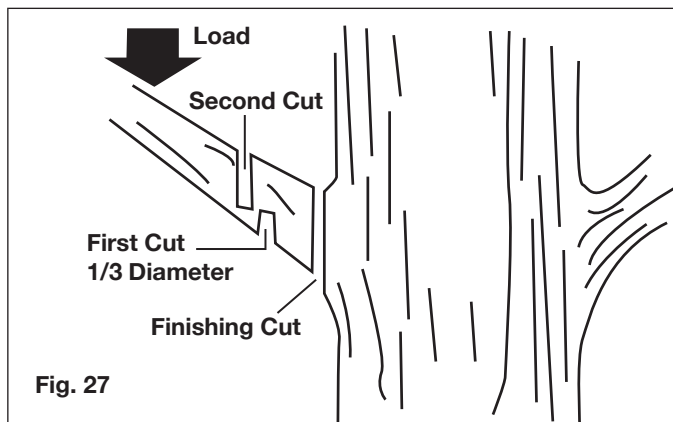


Fig. 27

- When re-starting the motor, always keep the ON/Off trigger switch pressed.
NOTE: The motor only runs when the ON/Off trigger switch is operated and shuts off when the ON/Off trigger switch is released.
- Now make your finishing cut from the topside of the branch smoothly and neatly against the main member so the bark will grow back to seal the wound.
- Release the On/Off trigger switch as soon as the cut is completed. Failure to follow proper cutting procedures will result in the bar and chain binding and becoming pinched or trapped in the limb.

Limbing

Limbing is the process of removing branches from a fallen tree.

- You should cut limbs one at a time. Remove the cut limbs from the work area often to help keep the work area clean and safe.
- Cut branches under tension from the bottom up to avoid binding the bar and chain.
- Keep the tree between you and the pole chain saw while limbing. Cut from the side of the tree opposite the branch you are cutting.

If the Saw Becomes Pinched or Trapped

1. Wait for the blade to stop, wait five minutes for the saw to cool, remove the battery, and wear gloves to protect your hands from the chain teeth.
2. If you can reach the limb from the ground, lift the limb while holding the saw. This should release the “pinch” and free the saw.
3. If the saw is still trapped, call a professional for assistance.

Maintenance + Care

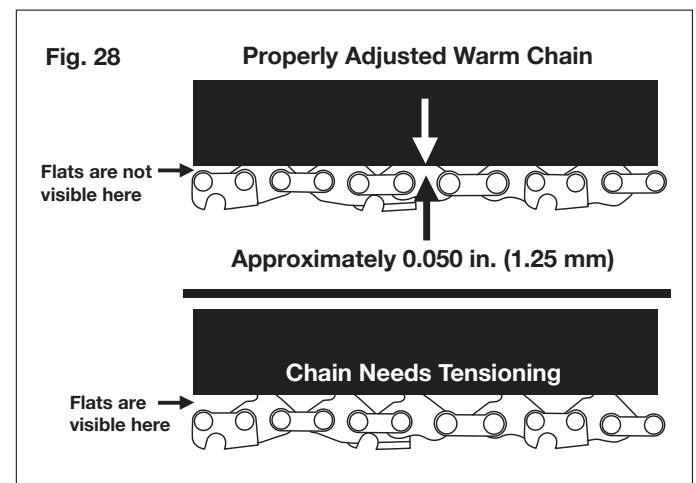
⚠ WARNING! Always remove the battery before performing any adjustments, maintenance, or repairs to your cordless pole chain saw.

- Use protective gloves when handling the bar and chain.
- Keep the bar encased in its sheath, except when working directly on the bar or the chain.
- Never dispose of oils or other polluting materials in unauthorized places.

Chain Tension

Check the chain tension before using the saw when the chain is cold. The correct tension of a cold chain is when there is no slack on the underside of the guide bar; the chain is snug, but you can rotate it by hand without binding.

During normal saw operation, the temperature of the chain will increase. The drive links of a correctly tensioned warm chain will hang approximately 0.050 in. (1.25 mm) out of the bar groove (Fig. 27). Be aware that a chain tensioned while warm, may be too tight upon cooling. Check the “cold tension” before next use. The chain must be re-tensioned whenever the flats on the drive links hang out of the bar groove (Fig. 28).



NOTE: A new chain tends to stretch. Check the chain tension frequently and re-tension as needed.

Nuts and Screws

Periodically check that all the nuts and screws are tightened securely. Check that the telescoping lock and assembly lock are intact and in proper working order.

Chain Sharpening

⚠️ WARNING! To ensure that the saw works safely and efficiently, it is essential that the cutting components are well-sharpened. **It is highly recommended to replace the chain once it loses its ability to cut cleanly and safely.** It is possible, however, to sharpen the existing chain if the sharpening is carefully performed. Any work on the chain and bar requires specific experience and special tools. For safety purposes, we recommend you contact an authorized Snow Joe® + Sun Joe® dealer or call the Snow Joe® + Sun Joe® customer service center at 1-866-SNOWJOE (1-866-766-9563).

Sharpening is necessary when:

- The sawdust looks like dust;
- Cutting becomes more difficult;
- The cut is not straight;
- Vibrations increase.

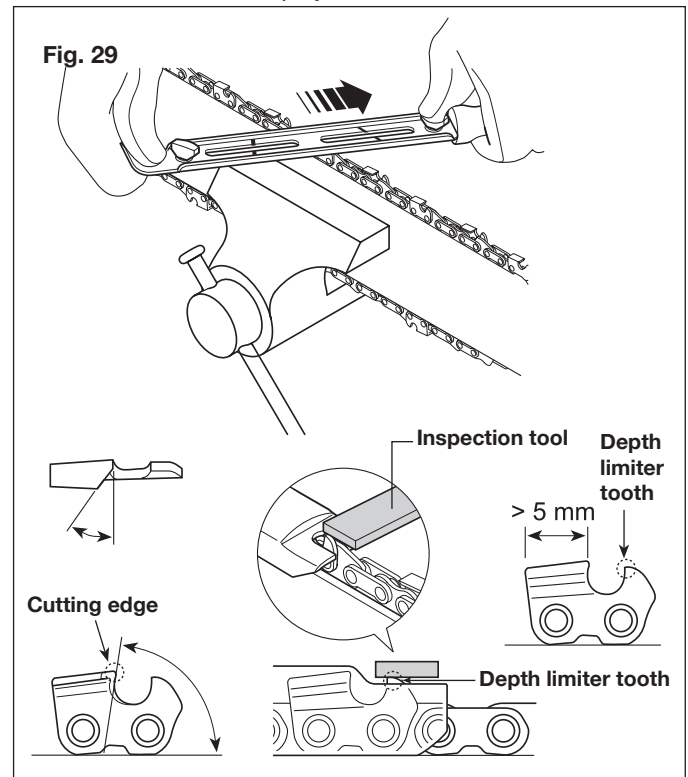
An authorized service center will sharpen the chain using the right tools to ensure minimum removal of material and even sharpness on all the cutting edges.

If you sharpen the chain yourself, use special round-section files with the right diameter depending on the type of chain (see "Chain Maintenance Table"). You need a certain amount of skill and experience to avoid damaging the cutting edges.

Sharpen the chain as follows (Fig. 29):

- Secure the bar firmly, with the chain mounted, in a suitable vise.
- Tighten the chain if it is loose.
- Mount the file in the guide and then insert it in the tooth at a constant angle from the cutting edge.
- Sharpen in a forward motion a few times and repeat this on all the cutting edges facing the same way (right or left).
- To move the chain forward, use a screwdriver.
- Turn the bar over in the vise and repeat on all the other cutting edges.
- Check that the depth limiter tooth does not stick out farther than the inspection tool and file any projecting parts with a flat file, rounding off the edges (Fig. 29).
- After sharpening, remove all traces of filing and dust and lubricate the chain in an oil bath. Replace the chain whenever:

- The length of the cutting edges decreases to 5 mm or less;
- There is too much play between the links and the rivets.



Guide Bar Maintenance

When the guide bar shows signs of wear, turn it over on the saw to distribute the wear for maximum bar life. Feathering or burring of the bar rails is a normal process of bar wear. You should smooth such faults with a file as soon as they occur.

Replace a bar with any of the following faults:

- wear inside the bar rails permitting the chain to lay over sideways
- bent guide bar
- cracked or broken rails
- spread rails

Turn the saw over, check the underside of the guide bar, and make sure that the lubrication holes and chain groove are free from impurities.

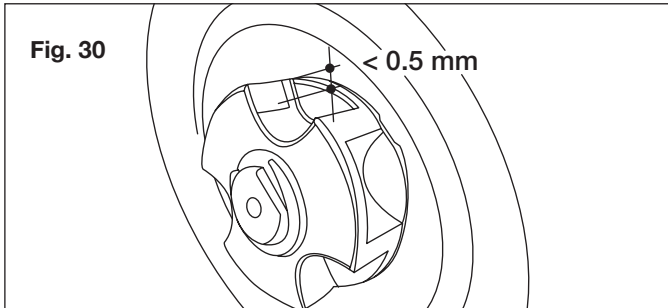
Chain Maintenance Table

Drive Links	Chain Pitch		Chain Gauge		File Diameter	
	inches	mm	inches	mm	inches	mm
33	3/8	9.5	0.050	1.3	5/32	4

Chain Sprocket

Regularly check the condition of the sprocket and replace it when wear exceeds 0.5 mm (Fig. 30).

Do not mount a new chain with a worn sprocket or vice-versa.



Troubleshooting

Troubleshooting Tips

Most difficulties are easy to fix. Consult the troubleshooting table for common problems and their solutions. If you continue to experience problems or need repairs beyond these minor adjustments, please call 1-866-SNOWJOE (1-866-766-9563) for assistance.

⚠ WARNING! Always remove the battery before performing any adjustments, maintenance, or repairs to your cordless chain saw.

Troubleshooting Table

Problems	Corrective Action
The saw motor fails to start	<ul style="list-style-type: none"> • Check that you have inserted the battery properly and the battery has enough power to work. • Make sure that you fully depress, push forward and hold the safety lock switch before squeezing the ON/OFF trigger switch.
The saw runs, but the chain speed is low	<ul style="list-style-type: none"> • The chain is too tight; re-tension.
Bar and chain running hot and smoking	<ul style="list-style-type: none"> • The chain tension is too tight; re-tension. • The chain oil tank is empty; refill. • The lubrication holes are plugged; clean them out.
The saw motor runs, but the chain is not turning	<ul style="list-style-type: none"> • The chain tension is too tight; re-tension. • The guide bar or chain is damaged; inspect and replace the damaged part.

Daily Checklist, Cleaning and Storage

Daily Checklist

To help maintain your pole chain saw for optimum performance, we recommend you complete this checklist prior to each work session.

⚠ WARNING! Do not insert the battery until you have completed all of the daily checks.

- Inspect for any visible damage to the chain, guide bar, or motor housing.
- Inspect the oil port and guide bar rails and clean them to remove any debris.
- Check the chain tension.
- Check the chain teeth for sharpness.
- Check the bar and chain oil level; fill with only new chain oil specifically formulated for chain saws.

NOTE: If you notice anything unusual, such as a vibration or an odd sound, shut the saw OFF immediately. Remove the battery and check the saw for any damage.

If you cannot find the cause of the problem or are uncertain what to do, then have the saw inspected by an authorized Snow Joe® + Sun Joe® dealer or call the Snow Joe® + Sun Joe® customer service center at 1-866-SNOWJOE (1-866-766-9563) before using it.

⚠ CAUTION!

- Remove the battery and wait at least five minutes for the saw to cool before servicing or storing your unit.
- If you drop the saw, carefully inspect it for damage. If the guide bar is bent, the housing is cracked, the handle is broken, or if you see any other condition that may affect the saw's operation, **DO NOT USE** the tool. Instead, have it serviced at an authorized Snow Joe® + Sun Joe® dealer or call the Snow Joe® + Sun Joe® customer service center at 1-866-SNOWJOE (1-866-766-9563).

Disposal

Recycling the tool

- Do not dispose of electrical appliances as unsorted municipal waste. Use separate collection facilities.
- Contact your local government agency for information regarding the collection systems available.
- If electrical appliances are disposed of in landfills or dumps, hazardous substances can leak into the groundwater and get into the food chain, damaging your health and well-being.
- When replacing old appliances with new ones, the retailer is legally obligated to take back your old appliance for disposal at least free of charge.

Recycling + Disposal

The product comes in a package that protects it against damage during shipping. Keep the package until you are sure that all parts have been delivered and the product is functioning properly. Recycle the package afterwards or keep it for long-term storage.



WEEE symbol. Waste electrical products should not be disposed of with household waste. Please recycle where facilities exist. Check with your local authority or local store for recycling regulations.

Battery Caution + Disposal

Always dispose of your battery pack according to federal, state, and local regulations. Contact a recycling agency in your area for recycling locations.



CAUTION! Even discharged battery packs contain

some energy. Before disposing, use electrical tape to cover

the terminals to prevent the battery pack from shorting, which could cause a fire or explosion.



WARNING! To reduce the risk of injury or explosion,

never burn or incinerate a battery pack even if it is damaged,

dead or completely discharged. When burned, toxic fumes and materials are emitted into the surrounding atmosphere.

1. Batteries vary according to device. Consult your manual for specific information.
2. Install only new batteries of the same type in your product (where applicable).
3. Failure to insert batteries in the correct polarity, as indicated in the battery compartment or manual, may shorten the life of the batteries or cause batteries to leak.
4. Do not mix old and new batteries.
5. Do not mix Alkaline, Standard (Carbon-Zinc) or Rechargeable (Nickel Cadmium, Nickel Metal Hydride, or Lithium-Ion) batteries.
6. Do not dispose of batteries in fire.
7. Batteries should be recycled or disposed of as per state and local guidelines.

Support

If your Sun Joe® iON+ 24V-PS8-LTE cordless pole chain saw requires service or maintenance, please call 1-866-SNOWJOE (1-866-766-9563) for assistance.

Model + Serial Number

When contacting the company, reordering parts, or arranging service from an authorized dealer, you will need to provide the model and serial numbers, which can be found on the decal located on the housing of the unit. Copy these numbers into the space provided below.

Record the following numbers from the housing or handle of your new product:	
Model #:	
2 4 V - P S 8 - L T E	
Serial #:	

24VCHRG-AC

Federal Communications Commission (FCC)



WARNING! Any changes or modifications to this unit not expressly approved by the party responsible for compliance could void the user's authority to operate the equipment.

Class B device:

NOTE: This equipment has been tested and found to comply with the limits for a Class B digital device, pursuant to part 15 of the FCC Rules.

These limits are designed to provide reasonable protection against harmful interference in a residential installation.

This equipment generates, uses and can radiate radio frequency energy and, if not installed and used in accordance with the instructions, may cause harmful interference to radio communications.

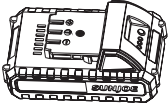
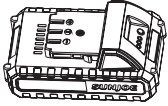







However, there is no guarantee that interference will not occur in a particular installation.

If this equipment does cause harmful interference to radio or television reception, which can be determined by turning the equipment off and on, the user is encouraged to try to correct the interference by one or more of the following measures:

- Reorient or relocate the receiving antenna.
- Increase the separation between the equipment and receiver.
- Connect the equipment into an outlet on a circuit different from that to which the receiver is connected.
- Consult the dealer or an experienced radio/TV technician for help.

Optional Accessories

⚠️ WARNING! ALWAYS use only authorized Snow Joe® + Sun Joe® replacement parts and accessories. NEVER use replacement parts or accessories that are not intended for use with this cordless pole chain saw. Contact Snow Joe® + Sun Joe® if you are unsure whether it is safe to use a particular replacement part or accessory with your cordless pole chain saw. The use of any other attachment or accessory can be dangerous and could cause injury or mechanical damage.

Accessories	Item	Model
	iON+ 24V 2.0 Ah Lithium-Ion Battery <i>Battery Runtime Max: Up to 32 cuts of 4" x 4" pine</i>	24VBAT-LTE
	iON+ 24V 2.5 Ah Lithium-Ion Battery <i>Battery Runtime Max: Up to 40 cuts 4" x 4" pine</i>	24VBAT-LT
	iON+ 24V 4.0 Ah Lithium-Ion Battery <i>Battery Runtime Max: Up to 64 cuts 4" x 4" pine</i>	24VBAT
	iON+ 24V 5.0 Ah Lithium-Ion Battery <i>Battery Runtime Max: Up to 80 cuts 4" x 4" pine</i>	24VBAT-XR
	iON+ 24V lithium-ion Battery Quick Charger	24VCHRG-QC
	iON+ 24V lithium-ion Dual Port Battery Charger	24VCHRG-DPC
	8 in. (20.3 cm) chain	SWJ-8CHAIN
	8 in. (20.3 cm) bar	GTS-8CBAR
	Universal Wall Bracket with Mounting Hardware	SJWB

NOTE: Accessories are subject to change without any obligation on the part of Snow Joe® + Sun Joe® to provide notice of such changes. Accessories can be ordered online at sunjoe.com or via phone by contacting the Snow Joe® + Sun Joe® customer service center at 1-866-SNOWJOE (1-866-766-9563).



SNOW JOE® + SUN JOE® CUSTOMER PROMISE

ABOVE ALL ELSE, Snow Joe, LLC (“Snow Joe”) is dedicated to you, our customer. We strive to make your experience as pleasant as possible. Unfortunately, there are times when a Snow Joe®, Sun Joe®, or Aqua Joe® product (“Product”) does not work or breaks under normal operating conditions. We think it’s important that you know what you can expect from us. That’s why we have a Limited Warranty (“Warranty”) for our Products.

OUR WARRANTY:

Snow Joe warrants new, genuine, powered and non-powered Products to be free from defects in material or workmanship when used for ordinary household use for a period of two years from the date of purchase by the original, end-user purchaser when purchased from Snow Joe or from one of Snow Joe’s authorized sellers with proof of purchase. Because Snow Joe is unable to control the quality of its Products sold by unauthorized sellers, unless otherwise prohibited by law, this Warranty does not cover Products purchased from unauthorized sellers. If your Product does not work or there’s an issue with a specific part that is covered by the terms of this Warranty, Snow Joe will elect to either (1) send you a free replacement part, (2) replace the Product with a new or comparable product at no charge, or (3) repair the Product. How cool is that!

This Warranty gives you specific legal rights, and you may also have other rights which vary from State to State.

PRODUCT REGISTRATION:

Snow Joe strongly encourages you to register your Product. You can register online at snowjoe.com/register, or by printing and mailing in a registration card available online from our website, or calling our Customer Service Department at **1-866-SNOWJOE (1-866-766-9563)**, or by e-mailing us at help@snowjoe.com. Failure to register your Product will not diminish your warranty rights. However, registering your Product will allow Snow Joe to better serve you with any of your customer service needs.

WHO CAN SEEK LIMITED WARRANTY COVERAGE:

This Warranty is extended by Snow Joe to the original purchaser and original owner of the Product.

WHAT IS NOT COVERED?

This Warranty does not apply if the Product has been used commercially or for non-household or rental applications. This Warranty also does not apply if the Product was purchased from an unauthorized seller. This Warranty also does not cover cosmetic changes that do not affect performance. Wearing parts like belts, augers, chains and tines are not covered under this Warranty, and can be purchased at snowjoe.com or by calling **1-866-SNOWJOE (1-866-766-9563)**.



MOTOSIERRA INALÁMBRICA DE ALTURA

24 V MÁX* | 2.0 Ah | 20.3 CM | MULTI-ÁNGULO

MANUAL DEL OPERADOR

Una división de Snow Joe®, LLC

Modelo 24V-PS8-LTE

Forma N° SJ-24V-PS8-LTE-880S-MR3

¡IMPORTANTE!

Instrucciones de seguridad

Todos los operadores deberán leer estas instrucciones antes del uso

Siga siempre estas normas de seguridad. No hacerlo podría resultar en lesiones corporales severas o incluso la muerte.

Seguridad general

⚠ ¡ADVERTENCIA! Este artefacto no ha sido diseñado para su uso por niños ni por otras personas sin asistencia o supervisión cuyas habilidades físicas, sensoriales o mentales les impidan usarlo de forma segura. Los niños deben estar bajo supervisión para garantizar que no jueguen con el artefacto.

Antes de encender su motosierra inalámbrica, inspecciónela cuidadosamente para cerciorarse de que no tenga defectos. Si encuentra algún defecto, no la encienda. Contacte a un concesionario autorizado Snow Joe® + Sun Joe® o comuníquese con la central de servicio al cliente Snow Joe® + Sun Joe® llamando al 1-866-SNOWJOE (1-866-766-9563).

⚠ ¡ADVERTENCIA! Siempre que use este artefacto, usted deberá tomar precauciones básicas de seguridad para reducir riesgos de incendio, choque eléctrico y lesiones personales. Estas precauciones incluyen:

- 1. Mantenga el área de trabajo limpia y bien iluminada:** las áreas de trabajo abarrotadas y las áreas oscuras provocan accidentes.
- 2. Evite entornos peligrosos:** no use la motosierra inalámbrica bajo la lluvia, en lugares húmedos o mojados, o en mal tiempo, especialmente cuando haya un riesgo de tormenta eléctrica. Esto reduce el riesgo de ser fulminado por un rayo. No opere la motosierra inalámbrica en atmósferas gaseosas o explosivas, ni la use cerca de líquidos inflamables o combustibles. Los motores de máquinas como ésta normalmente echan chispas que pueden encender los gases.
- 3. Conozca su producto:** sepa cómo arrancar y detener la motosierra. Familiarícese bien con los controles.
- 4. Mantenga alejados a espectadores, niños y mascotas:** todos los espectadores y mascotas deberán estar a una distancia segura del área de trabajo.

- 5. Vístase apropiadamente:** no utilice prendas holgadas ni joyas. Pueden llegar a engancharse en las partes móviles. Al trabajar en exteriores, se recomienda el uso de guantes de goma y calzado antideslizante.
- 6. ⚠ ¡PRECAUCIÓN!** Tenga cuidado y evite resbalar o caer. Use calzado protector que proteja sus pies y mejore su posición de pie en superficies resbaladizas.
- 7. Manténgase alerta:** vea lo que está haciendo. Utilice su sentido común. No opere la motosierra inalámbrica si está cansado o bajo la influencia de drogas o alcohol.
- 8. No se extralimite:** mantenga con sus pies un balance y posición adecuados durante todo el tiempo.
- 9. Evite encendidos accidentales:** asegúrese de que el interruptor esté en la posición de apagado antes de insertar la batería, levantar el artefacto, o transportarlo. Llevar un artefacto con su dedo sobre el interruptor, o un artefacto con el interruptor en la posición de encendido, provoca accidentes.

NOTA: esta advertencia no es aplicable a baterías que no puedan ser desconectadas del artefacto durante un uso normal.

- 10. Use el artefacto correcto:** no use la motosierra inalámbrica para cualquier otra aplicación que no sea una de aquellas para las cuales fue diseñada.
- 11. Las cuchillas son afiladas:** no sujete la motosierra inalámbrica por las cuchillas de corte o bordes afilados expuestos al momento de levantarla o sostenerla.
- 12. Use ambas manos:** sujete el tubo telescópico y mango con ambas manos para evitar la pérdida de control.
- 13. Retire la batería:** retire la batería de su motosierra inalámbrica cuando no esté siendo usada, antes de repararla, al cambiarle accesorios o al realizar cualquier otra tarea de mantenimiento en ésta.
- 14. Use gafas protectoras:** use también calzado protector, ropa que se ajuste a su cuerpo, guantes protectores y protección auditiva y para la cabeza.
- 15. Use protección para la cabeza:** use siempre protección para la cabeza al operar la motosierra inalámbrica en alturas. Los desechos que caigan pueden causar lesiones personales graves.
- 16. No fuerce la herramienta:** tendrá un mejor funcionamiento con menos probabilidades de lesiones personales o fallas mecánicas si es usada con el nivel de actividad para el cual fue diseñada.
- 17. Guarde la herramienta en interiores:** cuando no esté en uso, esta motosierra inalámbrica debe ser almacenada bajo techo, en un lugar seco, alto o bajo llave, fuera del alcance de los niños.

- 18. Inspeccione la unidad en busca de partes dañadas:** antes de seguir utilizando el artefacto, todos los protectores y partes deben ser cuidadosamente inspeccionados para determinar si funcionarán correctamente o no. Verifique el alineamiento de las partes móviles, las juntas de las partes móviles, roturas de las partes, monturas y cualquier otra condición que pueda afectar su funcionamiento. Una guarda o cualquier otra parte dañada deberá ser correctamente reparada o reemplazada. Comuníquese con la central de servicio al cliente Snow Joe® + Sun Joe® llamando al 1-866-SNOWJOE (1-866-766-9563) para recibir asistencia.
- 19. Cuide su motosierra inalámbrica:** mantenga los bordes de corte afilados y limpios para un óptimo rendimiento y para reducir el riesgo de lesiones. Mantenga los mangos secos, limpios y sin aceite ni grasa. Siga las recomendaciones adicionales descritas en la sección de mantenimiento de este manual.
- 20.** No use la motosierra inalámbrica si el interruptor no la enciende y apaga. Cualquier herramienta inalámbrica que no pueda ser controlada por el interruptor es considerada peligrosa y debe ser reparada inmediatamente.
- 21.** Mantenga todas las partes del cuerpo alejadas de las cuchillas de corte o la cadena. No retire material cortado ni sujete el material a ser cortado cuando las cuchillas estén moviéndose. Asegúrese de que el interruptor esté apagado al retirar material atascado. Las cuchillas o cadena continuarán moviéndose por un rato luego de que la herramienta sea apagada. Un momento de distracción durante el uso de esta motosierra inalámbrica podría ocasionar lesiones personales severas.
- 22.** Lleve la motosierra inalámbrica por el mango, con las cuchillas o cadena detenidas. Al transportar o guardar la motosierra inalámbrica, siempre mantenga las cuchillas o barra de cadena cubiertas. Una manipulación apropiada de la motosierra de altura reducirá el riesgo de lesiones personales causadas por las cuchillas de corte o cadena.
- 23.** Sujete la herramienta solamente por superficies de agarre aisladas, debido a que la cuchilla de corte o cadena pueden hacer contacto con alambres ocultos. Las cuchillas de corte o cadena que hagan contacto con un alambre con corriente eléctrica pueden exponer las partes de la herramienta a la electricidad y causar un choque eléctrico al operador.
- 24.** Esta unidad no ha sido diseñada para brindar una protección contra un choque eléctrico en caso de hacer contacto con cableados de alto voltaje. Nunca use la motosierra inalámbrica cerca de ninguna línea de alto voltaje. El contacto con, o uso cerca de, líneas de alto voltaje, puede causar lesiones personales severas o un choque eléctrico mortal. Manténgase a una distancia mínima de 50 pies (15 m) pies de todas las líneas de alta tensión.

⚠ ¡ADVERTENCIA! Antes de inspeccionar, limpiar o reparar la máquina, retire la batería y espere a que todas las partes móviles se detengan. No seguir estas instrucciones puede resultar en lesiones personales severas o daños materiales.

⚠ ¡ADVERTENCIA! No use este artefacto sin antes leer este manual de instrucciones.

⚠ ¡ADVERTENCIA! No use el artefacto cerca de personas, a menos que estén usando ropa protectora.

⚠ ¡ADVERTENCIA! No opere esta motosierra inalámbrica trepado en un árbol, sobre una escalera o en un andamio. Usar la motosierra en dichas circunstancias es extremadamente peligroso.

⚠ ¡ADVERTENCIA! No permita que la familiaridad con este tipo de herramientas le impida tomar todas las precauciones necesarias. Recuerde que una fracción de segundo de descuido es suficiente para causar lesiones personales severas.

⚠ ¡ADVERTENCIA! ¡La motosierra inalámbrica de altura debe estar totalmente ensamblada antes de su operación! ¡No use una herramienta que haya sido ensamblada solo parcialmente o ensamblada con partes dañadas!

⚠ ¡ADVERTENCIA! El inicio, parada y reinicio de un motor eléctrico de forma repetida en intervalos de pocos segundos puede generar una gran cantidad de calor y dañar el motor. Para proteger el ciclo de vida útil de su motosierra inalámbrica, espere al menos cinco segundos luego de detenerla para volverla a encender.

⚠ ¡ADVERTENCIA! Peligro de choque eléctrico: antes de encender su máquina, inspecciónela cuidadosamente para comprobar que no tenga defectos. Si encuentra algún defecto, no la encienda y comuníquese con su distribuidor.

NOTA: conserve y cuide las partes pequeñas retiradas durante el ensamblado o al hacer ajustes. Manténgalas en un lugar seguro para evitar que se pierdan.

Comuníquese con un concesionario autorizado Snow Joe® + Sun Joe® o llame a la central de servicio al cliente Snow Joe® + Sun Joe® al 1-866-SNOWJOE (1-866-766-9563) para cualquier operación o tarea de mantenimiento no descrita en este manual. Cualquier operación llevada a cabo en un centro no autorizado o por personal no calificado invalidará por completo la garantía.

⚠ ¡ADVERTENCIA! Para su seguridad y la de los demás:

- Un mantenimiento correcto es esencial para conservar la eficiencia y seguridad originales de la máquina con el tiempo.
- Mantenga todos los pernos, tuercas y tornillos ajustados para garantizar que el equipo esté en una condición segura de funcionamiento.
- Nunca use la máquina con partes gastadas o dañadas. Las partes dañadas deben ser reemplazadas, nunca reparadas.

⚠ ¡ADVERTENCIA! Use siempre guantes protectores durante las operaciones de mantenimiento.

⚠ ¡ADVERTENCIA! Use solo partes de repuesto y accesorios originales del fabricante. No hacerlo puede causar lesiones personales y un bajo rendimiento de la unidad.

Para ordenar partes de repuesto o accesorios genuinos de su motosierra inalámbrica de altura iON+ de Sun Joe®, visite sunjoe.com o comuníquese con la central de servicio al cliente Snow Joe® + Sun Joe® llamando al 1-866-SNOWJOE (1-866-766-9563).

Limpieza de la herramienta

⚠ ¡ADVERTENCIA! No permita que ningún líquido se meta dentro de la carcasa del motor y **NUNCA** sumerja ninguna parte de la carcasa en ningún líquido.

1. Detenga el motor y retire la batería.
2. Limpie el cuerpo de la herramienta, y retire suciedad y residuos usando un paño mojado con un detergente suave.

NOTA: no use detergentes fuertes en la carcasa de plástico o mango, ya que pueden ser dañados por ciertos aceites aromáticos tales como de pino o limón, o por solventes como kerosene.

Almacenamiento


⚠ ¡ADVERTENCIA! En ningún momento permita que líquido de frenos, gasolina, productos a base de petróleo, aceites penetrantes, etc. hagan contacto con las partes de plástico. Los agentes químicos pueden dañar, debilitar o destruir el plástico, causando lesiones personales severas.

1. Detenga el motor y retire la batería.
2. Limpie a fondo la motosierra de altura antes de guardarla.
3. Siempre coloque la funda sobre la barra-guía de cadena antes de guardar o transportar la motosierra de altura. Tenga cuidado y evite tocar las cuchillas afiladas y los dientes de la cadena.
4. Guarde la motosierra de altura en interiores, en un lugar seco a donde no puedan ingresar los niños. Manténgala alejada de agentes corrosivos tales como químicos de jardín y sales descongelantes.
5. Recomendamos usar el empaquetado para guardar el producto, o cubrirlo con una tela o funda adecuada para protegerlo contra el polvo.

Reglas de seguridad específicas para esta motosierra inalámbrica de altura

1. Solo el operador de la motosierra de altura deberá estar presente en el área de trabajo.
2. No utilice la motosierra inalámbrica de altura para talar árboles.
3. Utilice siempre las dos manos al operar la motosierra de altura. Sujete la motosierra de altura de forma segura con una mano en el gatillo interruptor, y la otra mano en el tubo.
4. Antes de encender la motosierra inalámbrica de altura, asegúrese de que la cadena no esté haciendo contacto con ningún objeto.
5. No permita que la motosierra de altura haga contacto con objetos puestos a tierra tales como tuberías, cercas de alambre y postes de metal.
6. No fuerce la motosierra de altura durante el corte. Aplique una presión leve. Funcionará de una forma más segura y efectiva si es usada con el nivel de actividad para el cual fue diseñada.
7. Tenga mucho cuidado al cortar una rama que esté bajo tensión. Cuando la tensión de la madera es liberada, la rama puede recuperar su elasticidad y golpear violentamente al operador, causándole lesiones personales severas o la muerte.
8. Durante el transporte, sostenga el tubo en su centro de equilibrio, con la barra-guía y cadena apuntando hacia atrás.
9. No corte arbustos ni árboles jóvenes pequeños con esta motosierra de altura. Las ramas pequeñas pueden engancharse en la cadena y ser azotadas contra el operador, haciéndole perder el equilibrio.
10. Nunca se pare directamente debajo de la rama que está cortando. Colóquese siempre lejos de la ruta de caída de las ramas y demás vegetación.
11. Durante el corte, mantenga una presión firme y constante sobre la motosierra de altura. No trate de cortar ramas de diámetros mayores a la longitud de la barra-guía.
12. Mantenga a las demás personas y mascotas alejadas del extremo de corte de la motosierra de altura y a una distancia segura del área de trabajo.

Contragolpe

 **¡ADVERTENCIA!** El contragolpe puede ocurrir cuando la nariz o la punta de la barra-guía tocan un objeto, o cuando la abertura de corte de la madera se cierra apretando la motosierra durante el corte.

EVITE QUE LA NARIZ O PUNTA DE LA BARRA-GUÍA HAGA CONTACTO CON CUALQUIER OBJETO. En algunos casos, cuando la punta hace contacto con un objeto, puede causar una reacción en reversa extremadamente rápida que lanza la barra-guía hacia arriba y hacia atrás, en dirección del operador. Apretar la cadena de la motosierra a lo largo de la parte superior de la barra-guía puede también empujar la barra-guía rápidamente hacia el operador. Cualquiera de estas reacciones puede hacer que usted pierda el control de la motosierra de altura, lesionándose severamente.


- Los dispositivos de seguridad contra contragolpes en esta motosierra de altura incluyen una cadena saltadora y una barra-guía de contragolpe controlado. Estos dispositivos reducirán, pero no prevendrán por completo, los contragolpes. Siga las precauciones necesarias indicadas en este manual del operador para evitar los contragolpes.
- Use siempre ambas manos al operar la motosierra de altura: una mano sujetando el gatillo y la otra mano sujetando el tubo. Sujétela firmemente. Los pulgares y los dedos deben rodear el gatillo y el tubo.
- La motosierra de altura debe tener todos sus protectores instalados. Asegúrese de que funcionen correctamente.
- No se extralimite ni extienda sus brazos por encima de la altura de sus hombros.
- Asegúrese de estar de pie apropiadamente, manteniendo un equilibrio adecuado en todo momento.
- Nunca intente cortar dos ramas al mismo tiempo. Corte solo una por vez.
- No entierre la nariz de la barra-guía, ni trate de cortar empujando la nariz de la barra-guía dentro de la madera.
- Esté pendiente del desplazamiento de la madera u otras fuerzas que puedan aprisionar la cadena.
- Tenga muchísimo cuidado al re-entrar en un corte previo.
- Use la cadena y barra-guía de contragolpe controlado suministradas con la motosierra de altura. Use solo partes de repuesto originales Snow Joe® + Sun Joe®, diseñadas específicamente para su uso con esta motosierra de altura.
- Nunca use una cadena gastada o suelta. Mantenga la cadena afilada, con una tensión adecuada.


Instrucciones de seguridad para la batería y el cargador

Prestamos mucha atención al diseño de cada batería para garantizar la producción de baterías seguras y durables, con una alta densidad de energía. Las celdas de la batería tienen una amplia gama de dispositivos de seguridad. Cada celda individual es inicialmente formateada y se registran sus curvas eléctricas características. Estos datos son luego usados exclusivamente para poder ensamblar las mejores baterías posibles.

Independientemente de todas las precauciones de seguridad, se debe tener mucho cuidado al manipular las baterías. Las siguientes instrucciones deben ser obedecidas en todo momento para garantizar un uso seguro. Un uso seguro solo puede ser garantizado si se usan celdas libres de daños. Una manipulación incorrecta de la batería puede causar daños en las celdas.


¡IMPORTANTE! Los análisis han confirmado que el uso incorrecto y el cuidado deficiente de baterías de alto rendimiento son las causas principales de lesiones personales y/o daños al producto.

 **¡ADVERTENCIA!** Use solo baterías de repuesto aprobadas. Otras baterías pueden dañar la motosierra inalámbrica y provocar un desperfecto que pueda causar lesiones personales severas.

 **¡ADVERTENCIA!** No use una batería o artefacto que hayan sido dañados o modificados. Las baterías dañadas o modificadas pueden reaccionar impredeciblemente, causando un incendio, explosión, o riesgo de lesiones.

No modifique ni intente reparar el artefacto o su batería, a menos que lo haga según lo indicado en las instrucciones de uso y cuidado.


Su batería deberá ser reparada por una persona calificada usando únicamente partes de repuesto originales. Esto mantendrá la seguridad de la batería.

 **¡PRECAUCIÓN!** Para reducir el riesgo de lesiones, cargue la batería de iones de litio iON+ de 24 V solo con su cargador de baterías de iones de litio designado, el iON+ de 24 V. Otros tipos de cargadores presentan riesgos de incendio, lesiones personales y daños. No conecte una batería a un tomacorriente doméstico ni encendedor de cigarrillos en su vehículo. Dicho uso indebido dañará o deshabilitará permanentemente la batería.

- **Evite entornos peligrosos:** no cargue la batería bajo la lluvia o nieve, ni en entornos húmedos o mojados. No use la batería ni el cargador en atmósferas explosivas (gases, polvo o materiales inflamables) ya que se pueden generar chispas al insertar o retirar la batería, las cuales pueden causar un incendio.
- **Cárguela en un área bien ventilada:** no bloquee los conductos de ventilación del cargador. Manténgalos despejados para permitir una ventilación adecuada. No permita que se fume o haya llamas abiertas cerca de una batería siendo cargada. Los gases presentes pueden explotar.

NOTA: el rango seguro de temperaturas para la batería es de 41°F (5°C) a 105°F (45°C). No cargue la batería en exteriores con temperaturas congelantes. Cárguela a temperatura ambiente en interiores.

- **Cuide el cable del cargador:** al desenchufar el cargador tire del enchufe, no del cable, para desconectarlo del tomacorriente y así evitar el riesgo de daños al enchufe y cable de alimentación. Nunca transporte el cargador colgado de su cable, ni tire del cable para desconectarlo del receptáculo. Mantenga el cable alejado del calor, aceites y bordes afilados. Asegúrese de que el cable no sea pisado, que la gente no se tropiece con éste, ni que esté sujeto a daños o tensiones mientras el cargador esté siendo usado. No use el cargador con un cable o enchufe dañado. Reemplace un cargador dañado inmediatamente.
- **No use un cable de extensión a menos que sea absolutamente necesario:** usar un cable de extensión incorrecto, dañado o conectado de forma inapropiada puede causar un incendio o choque eléctrico. Si se debe usar un cable de extensión, enchufe el cargador a un cable de extensión de calibre 16 o mayor con el enchufe hembra encajando perfectamente en el enchufe macho del cargador. Verifique que el cable de extensión esté en buenas condiciones.
- **El cargador 24VCHRG-AC está clasificado solo para voltajes entre 100 V y 240 V CA:** el cargador debe estar enchufado a un receptáculo apropiado.
- **Use solo accesorios recomendados:** el uso de un accesorio que no sea recomendado ni vendido por el fabricante de la batería o cargador de batería puede resultar en un riesgo de un choque eléctrico, incendio o lesiones personales.
- **Desenchufe el cargador cuando no esté siendo usado:** asegúrese de retirar las baterías de los cargadores desenchufados.

 **¡ADVERTENCIA!** Para reducir el riesgo de un choque eléctrico, desenchufe siempre el cargador antes de llevar a cabo cualquier tarea de limpieza o mantenimiento. No permita que el agua fluya dentro del cargador. Use un interruptor de circuito por falla a tierra (GFCI) para reducir el riesgo de un choque eléctrico.

- **No quemé ni incinere baterías:** las baterías pueden explotar, causando lesiones personales o daños. Cuando las baterías son quemadas se generan sustancias y humos tóxicos.
- **No triture, deje caer ni dañe las baterías:** no use la batería ni el cargador si han sido severamente golpeados, se han dejado caer, se han aplastado, o han sido dañados de cualquier forma (como por ejemplo perforados con un clavo, golpeados con un martillo, pisados, etc.).
- **No desarme la batería ni el cargador:** el reensamblado incorrecto puede representar un riesgo severo de choque eléctrico, fuego o exposición a químicos tóxicos de la batería. Si la batería o el cargador están dañados, contacte a un concesionario autorizado Snow Joe® + Sun Joe® o llame a la central de servicio al cliente Snow Joe® + Sun Joe® al 1-866-SNOWJOE (1-866-766-9563) para obtener ayuda.

- **Los químicos de la batería causan quemaduras severas:** nunca deje que una batería dañada haga contacto con su piel, ojos o boca. Si una batería dañada deja escapar químicos, use guantes de hule o neopreno para deshacerse de ella de forma segura. Si la piel es expuesta a los fluidos de la batería, lave el área afectada con jabón y agua, y enjuague con vinagre. Si los ojos son expuestos a los químicos, enjuáguelos inmediatamente con agua durante 20 minutos y busque atención médica. Quitese y deshágase de las vestimentas contaminadas.
- **No cortocircuite los terminales:** cuando la batería no esté en uso, manténgala alejada de monedas, sujetapapeles, clavos, tornillos, alfileres u otros objetos metálicos pequeños que puedan causar la conexión de un terminal a otro. Cortocircuitar los terminales de la batería puede causar quemaduras o un incendio.
- **Guarde su batería y cargador en un lugar fresco y seco:** no guarde la batería o cargador en lugares donde las temperaturas puedan exceder los 105°F (40.5°C), tales como bajo la luz directa del sol o dentro de un vehículo o construcción metálica durante el verano.

Información sobre la batería

1. La batería suministrada con su motosierra inalámbrica está cargada solo parcialmente. La batería tiene que ser cargada por completo antes de que usted use la herramienta por primera vez.
2. Para un óptimo rendimiento de la batería, evite ciclos de descarga baja cargando frecuentemente la batería.
3. Guarde la batería en un lugar fresco, de preferencia a 77°F (25°C) y cargada al menos a un 40%.
4. Las baterías de iones de litio están sujetas a un proceso natural de desgaste. La batería debe ser reemplazada a más tardar cuando su capacidad caiga a un 80% de su capacidad inicial, cuando estaba nueva. Las celdas debilitadas en una batería gastada no son capaces de cumplir con los requisitos de alta potencia necesarios para la operación adecuada de su motosierra inalámbrica de altura, y por tanto representan un riesgo de seguridad.
5. No arroje las baterías al fuego abierto ya que pueden explotar.
6. No incendie la batería ni la esponja al fuego.
7. No descargue las baterías exhaustivamente. Una descarga exhaustiva dañará las celdas de la batería. La causa más común de descarga exhaustiva es el almacenamiento prolongado o la falta de uso de baterías parcialmente descargadas. Deje de trabajar tan pronto como el rendimiento de la batería caiga considerablemente o se active el sistema de protección electrónico. Almacene la batería únicamente luego de haberla cargado por completo.
8. Proteja las baterías y la motosierra inalámbrica contra sobrecargas. Las sobrecargas causarán rápidamente un sobrecalentamiento y daños a las celdas en el interior de la batería, incluso si este sobrecalentamiento no es aparente por fuera.

9. Evite daños y golpes. Reemplace inmediatamente las baterías que se hayan caído desde una altura de más de 3 pies (1 m) o aquellas que hayan sido expuestas a golpes violentos, incluso si la carcasa de la batería aparenta no tener daños. Las celdas dentro de la batería pueden haber sufrido daños severos. En dichos casos, lea la información de eliminación para deshacerse apropiadamente de la batería.
10. Si la batería sufre una sobrecarga y sobrecalentamiento, el sistema interruptor de protección integrado apagará el equipo por motivos de seguridad.
¡IMPORTANTE! No presione más el gatillo interruptor de encendido/apagado si el interruptor de protección se ha activado. Esto puede dañar la batería.
11. Recargue solo con el cargador especificado por el fabricante. Un cargador adecuado para un tipo de batería puede causar un riesgo de incendio al ser usado con otro tipo de batería.
12. Use artefactos a batería solo con baterías específicamente diseñadas para éstos. El uso de cualquier otra batería puede causar un incendio o lesiones personales.
13. Bajo condiciones extremas, la batería puede expulsar un líquido. Evite el contacto con este líquido. Si usted accidentalmente hace contacto con este líquido, enjuáguese con agua. Si el líquido hace contacto con los ojos, adicionalmente busque atención médica. El líquido expulsado de la batería puede causar irritación o quemaduras.
14. No use una batería o artefacto que hayan sido dañados o modificados. Las baterías dañadas o modificadas pueden reaccionar impredeciblemente, causando un incendio, explosión o lesiones personales.
15. No exponga una batería o artefacto al fuego o temperaturas extremas. Una exposición al fuego o a temperaturas por encima de los 266°F (130°C) puede causar una explosión.
16. Siga todas las instrucciones de carga, y no cargue la batería o artefacto fuera del rango de temperaturas especificado en las instrucciones. Cargar de forma incorrecta o a temperaturas fuera del rango especificado puede dañar la batería e incrementar el riesgo de incendio.

Información sobre el cargador y el proceso de carga







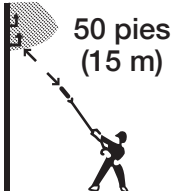



1. Verifique los datos registrados en la placa de especificaciones del cargador de batería. Asegúrese de conectar el cargador de batería a una fuente de alimentación que tenga el voltaje indicado en la placa de especificaciones. Nunca lo conecte a una fuente de alimentación con voltaje diferente.
2. Proteja el cargador de batería y su cable contra daños. Mantenga el cargador y su cable alejados del calor, grasa, aceite y bordes afilados. Haga reparar sin demora los cables dañados por un técnico calificado en un concesionario autorizado Snow Joe® + Sun Joe®, o comuníquese con el centro de servicio al cliente Snow Joe® + Sun Joe® llamando al 1-866-SNOWJOE (1-866-766-9563).
3. Los enchufes deben encajar en los tomacorrientes. Nunca modifique el enchufe de ninguna manera. No use ningún enchufe adaptador con artefactos que tengan conexión a tierra. El uso de enchufes no modificados y tomacorrientes equivalentes reducirá el riesgo de un choque eléctrico.
4. Mantenga el cargador de batería, la(s) batería(s) y la motosierra inalámbrica fuera del alcance de los niños.
5. No use el cargador de batería suministrado para cargar baterías de otras herramientas inalámbricas.
6. Durante periodos de trabajo pesado, la batería se calentará. Permita que la batería se enfríe a temperatura ambiente antes de insertarla en el cargador para su recarga.
7. No sobrecargue las baterías. No exceda los tiempos máximos de carga. Estos tiempos de carga solo se aplican a baterías descargadas. La inserción frecuente de una batería cargada o parcialmente cargada resultará en una sobrecarga y daños a las celdas. No deje las baterías en el cargador por días enteros.
8. Nunca use o cargue la batería si sospecha que han pasado más de doce (12) meses desde la última vez que fue cargada. Existe una alta probabilidad de que la batería ya haya sufrido un daño severo (descarga exhaustiva).
9. Cargar baterías a temperaturas menores que 41°F (5°C) causará daños químicos a las celdas y puede provocar un incendio.
10. No use baterías que hayan sido expuestas al calor durante el proceso de carga, ya que las celdas de la batería pueden haber sufrido daños severos.
11. No use baterías que se hayan curvado o deformado durante el proceso de carga, ni aquellas que muestren otros síntomas atípicos como liberación de gases, zumbidos, resquebrajaduras, etc.
12. Nunca descargue por completo la batería (se recomienda una profundidad de descarga de un 80%). Una descarga completa de la batería causará un envejecimiento prematuro de las celdas de la batería.

Protección contra influencias del entorno

1. Use ropa de trabajo adecuada. Use gafas protectoras.
2. Proteja su motosierra inalámbrica y cargador de batería contra la humedad y la lluvia. La humedad y la lluvia pueden causar daños severos a las celdas.
3. No use la motosierra inalámbrica o el cargador de batería cerca de vapores y líquidos inflamables.
4. Use el cargador de batería y la motosierra inalámbrica solo en entornos secos y a una temperatura ambiente de entre 41°F (5°C) y 105°F (40.5°C)
5. No coloque la batería en lugares donde la temperatura pueda alcanzar más de 105°F (40.5°C). En particular, no deje el cargador de batería en un auto estacionado bajo la luz directa del sol.
6. Proteja las baterías contra el sobrecalentamiento. Las sobrecargas, exceso de carga y exposición a la luz directa del sol darán como resultado un sobrecalentamiento y daños a las celdas. Nunca cargue ni trabaje con baterías que hayan estado sobrecalentadas. De ser posible, reemplácelas inmediatamente.
7. Guarde el cargador de batería y su motosierra inalámbrica solo en entornos secos y a una temperatura ambiente de entre 41°F (10°C) y 105°F (40.5°C). Guarde su batería de iones de litio en un lugar fresco y seco, a una temperatura ambiente de 77°F (25°C). Proteja la batería, el cargador y la motosierra inalámbrica contra la humedad y la luz directa del sol. Solo almacene baterías cargadas por completo (cargadas hasta al menos un 40%).
8. Evite que la batería de iones de litio se congele. Las baterías almacenadas a una temperatura menor de 32°F (0°C) por más de 60 minutos deben ser desechadas.
9. Al manipular baterías, tenga cuidado con las descargas electrostáticas ya que pueden dañar el sistema electrónico de protección y las celdas de la batería. Evite las descargas electrostáticas y nunca toque los polos de la batería.

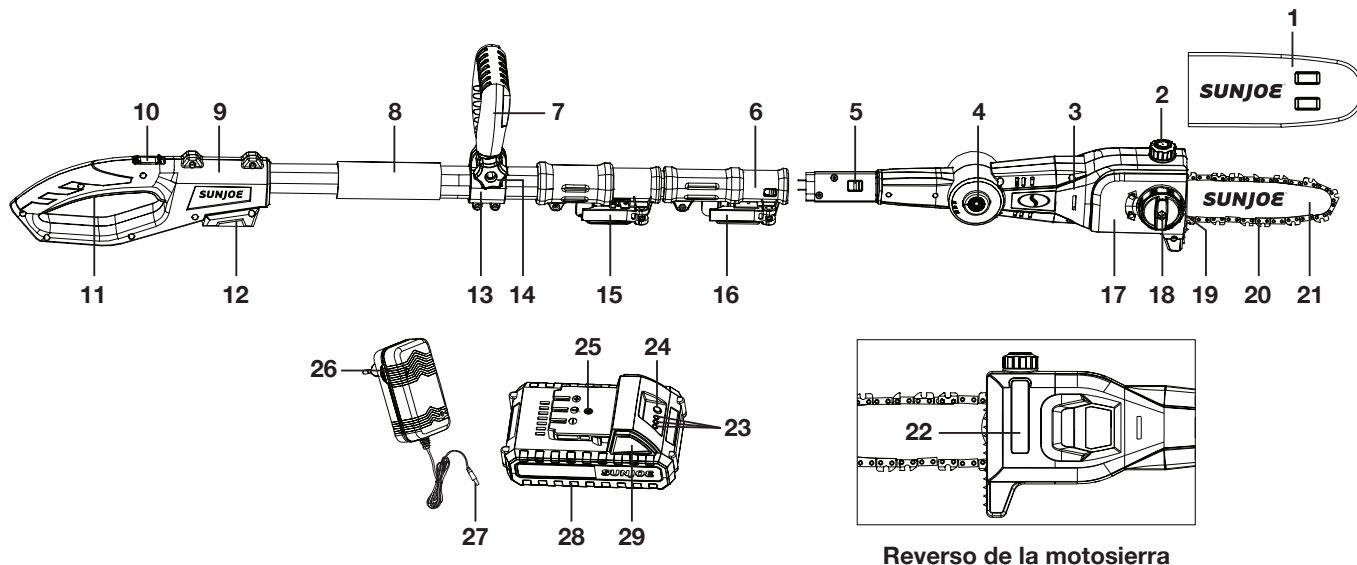
Símbolos de seguridad

La siguiente tabla muestra y describe los símbolos de seguridad que pueden aparecer en este producto. Lea, comprenda y siga todas las instrucciones relacionadas con esta máquina antes de intentar ensamblarla y operarla.

Símbolo	Descripción	Símbolo	Descripción
	LEA EL(LOS) MANUAL(ES) DEL OPERADOR: lea, comprenda y siga todas las instrucciones en el(los) manual(es) antes de intentar ensamblar y operar esta unidad.		ALERTA DE SEGURIDAD: indica una precaución, advertencia o peligro.
	¡ADVERTENCIA! No exponga la unidad a la lluvia ni a entornos mojados. Manténgala seca.		USE PROTECCIÓN OCULAR Y AUDITIVA: para evitar lesiones, use protección auditiva y gafas protectoras.
	Use guantes protectores y calzado no deslizante al operar esta máquina y al manipular desechos.		Solo para uso en interiores. Utilice el cargador de batería solamente en interiores.
	¡ADVERTENCIA! PELIGRO DE CHOQUE ELÉCTRICO: manténgase a una distancia mínima de 50 pies (15 m) de las líneas de alto voltaje. No se extralimite. Mantenga con sus pies un balance y posición adecuados todo el tiempo.		¡PELIGRO! CUCHILLAS GIRATORIAS: mantenga las manos y pies lejos de las aberturas cuando la motosierra esté funcionando.
	Los objetos arrojados y la cuchilla giratoria pueden causar lesiones personales severas.		Mantenga a los espectadores a una distancia mínima de 50 pies (15 m) del área de trabajo.

Conozca su motosierra inalámbrica de altura

Lea detenidamente este manual del operador y las instrucciones de seguridad antes de operar su motosierra inalámbrica de altura. Compare la ilustración debajo con la motosierra inalámbrica de altura para familiarizarse con las ubicaciones de sus diversos controles y ajustes. Conserve este manual para futuras referencias.



- | | | |
|---|--|---|
| 1. Funda para barra-guía y cadena | 12. Compartimiento de batería | 22. Ventana indicadora de nivel de aceite |
| 2. Tapón de tanque de aceite | 13. Bucle de mango auxiliar | 23. Indicadores de batería |
| 3. Cabezal de motosierra | 14. Perilla de trabado de mango auxiliar | 24. Botón pulsador para indicador de batería |
| 4. Dial de ajuste de cabezal multi-ángulo | 15. Trabado telescópico | 25. Receptáculo de carga |
| 5. Lengüeta de trabado | 16. Trabado de ensamblado | 26. Cargador de batería de iones de litio iON+ de 24 V (24VCHRG-AC) |
| 6. Tubo telescópico | 17. Cubierta de extremo de cadena/piñón | 27. Conector de cargador |
| 7. Mango auxiliar | 18. Perilla de cubierta de extremo de cadena/piñón | 28. Batería de iones de litio iON+ de 24V (24VBAT-LTE) con exclusiva tecnología EcoSharp® |
| 8. Empuñadura suave | 19. Aro tensionador de cadena | 29. Botón pulsador de trabado |
| 9. Mango posterior | 20. Cadena de 8 plg (20.3 cm) | |
| 10. Interruptor de trabado de seguridad | 21. Barra-guía de 8 plg (20.3 cm) | |
| 11. Gatillo interruptor | | |

Datos técnicos

Motor.....	350 W	Longitud de barra de cadena.....	8 plg (20.3 cm)
Voltaje de batería máx.*.....	24 V CC	Grosor de corte máx.	7.5 plg (19 cm)
Capacidad de la batería.....	2.0 Ah		<i>Recomendado: 6.5 plg (16.5 cm)</i>
Tiempo máx. de duración de batería.....	Corta hasta 32 piezas de Pino 10 cm x 10 cm)	Cabezal multi-ángulo.....	0° a 30°
Entrada de cargador.....	100 – 240 V AC, 50 – 60 Hz, 50 W	Tubo telescópico.....	3.7 pies a 7.2 pies (1.1 m a 2.2 m)
Salida de cargador.....	25.2 V DC, $\overline{=}$ 1400 mA	Ángulos de mango auxiliar.....	-45°, 0° y 45°
Tiempo máx. de carga de batería.....	1 hr 20 min	Altura máx. de alcance.....	14 pies (4.3 m)
Velocidad sin carga.....	2,800 RPM	Capacidad del tanque de aceite.....	2.7 fl Oz (80 ml)
		Peso neto.....	7.7 lb (3.5 kg)

*Voltaje inicial sin carga, al ser cargada por completo alcanza un pico de 24 V; un voltaje nominal bajo carga típica es 21.6 V.

Desembalaje

Contenido del paquete

- Tubo telescópico con mango auxiliar
- Cabezal de motosierra con cadena y barra pre-instaladas
- Funda para barra de motosierra
- Batería de iones de litio iON+ de 24 V
- Cargador de batería de iones de litio iON+ de 24V
- Llave hexagonal
- Manual con tarjeta de registro

1. Retire cuidadosamente la motosierra de altura y compruebe que todos los artículos anteriores estén incluidos.
2. Inspeccione cuidadosamente el producto para asegurarse de que no haya ocurrido ningún daño o ruptura durante su transporte. Si alguna parte está dañada o extraviada, NO DEVUELVA la unidad a la tienda. Comuníquese con la central de servicio al cliente Snow Joe® + Sun Joe® llamando al 1-866-SNOWJOE (1-866-766-9563).

NOTA: no se deshaga de la caja de transporte ni de los materiales de embalaje hasta que usted esté listo para usar su motosierra inalámbrica de altura. El empaquetado está hecho de materiales reciclables. Deseche estos materiales de acuerdo con los reglamentos de su localidad.

¡IMPORTANTE! El equipo y los materiales de embalaje no son juguetes. No permita que los niños jueguen con bolsas plásticas, láminas o partes pequeñas. ¡Estos objetos pueden ser tragados y representan un riesgo de asfixia!





Operación de la batería

La unidad es alimentada con una batería de iones de litio. La batería está completamente sellada y no requiere de mantenimiento.

Indicador de nivel de carga de la batería

La batería tiene un botón para comprobar su nivel de carga. Simplemente presione el botón para leer el nivel de carga de la batería en los LED indicadores de la batería:

- Los tres LED indicadores de nivel están encendidos: el nivel de carga de la batería es elevado.
- Dos LED indicadores de nivel están encendidos: el nivel de carga de la batería está disminuyendo. Deje de trabajar tan pronto como sea posible.
- Un LED indicador de nivel está encendido: la batería está baja. Deje de trabajar INMEDIATAMENTE y cargue la batería. De otro modo, la vida útil de la batería se reducirá en gran medida.

Luz	Significado
	Botón de nivel de carga
	La batería está cargada a un 30% y requiere ser cargada de inmediato
	La batería está cargada a un 60% y requiere ser cargada pronto
	La batería está cargada por completo

NOTA: si el botón de nivel de carga no parece funcionar, inserte el conector del cargador y cargue según se requiera.

NOTA: inmediatamente luego del uso de la batería, el botón de nivel de carga puede mostrar una carga más baja que la que se mostrará algunos minutos después. Las celdas de la batería “recuperan” parte de su carga luego de permanecer inactivas.

Operación del cargador

⚠ ¡ADVERTENCIA! Cargue baterías de iones de litio de iON+ 24 V solo con su cargador de baterías de iones de litio de iON+ 24 V compatible. Otros tipos de baterías pueden causar lesiones personales y daños materiales.

Para reducir el riesgo de choque eléctrico, no permita que entre agua a la conexión CA/CC del cargador.

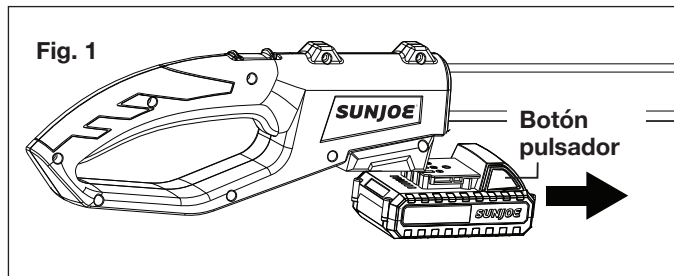
Cuándo cargar la batería de iones de litio iON+ 24VBAT-LTE

NOTA: las baterías de iones de litio iON+ 24VBAT-LTE no crean una “memoria” al ser cargadas luego de una descarga parcial. Por tanto, no hay necesidad de agotar la batería antes de insertar el conector del cargador.

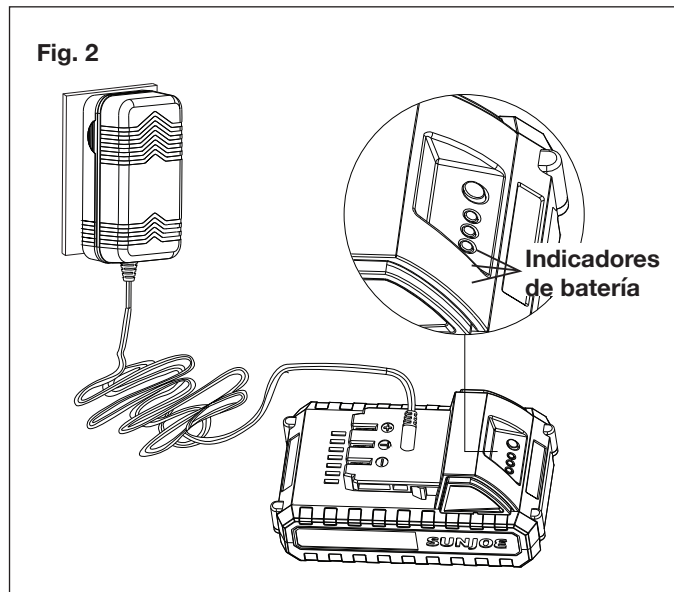
- Use las luces indicadoras de carga de batería para determinar cuándo cargar su batería de iones de litio iON+ 24VBAT-LTE.
- Usted puede cargar por completo su batería antes de empezar un trabajo grande, o luego de un uso prolongado.

Carga de la batería

1. Presione el botón pulsador de trabado en la batería para poder extraer la batería fuera del compartimiento (Fig. 1).



2. Compruebe que el voltaje de la red sea el mismo que el indicado en la placa de especificaciones del cargador de la batería. Luego, enchufe el adaptador del cargador en un tomacorriente CA apropiado. Conecte el conector del cargador en el receptáculo de carga de la batería para empezar a cargarla (Fig. 2).



3. La batería tomará aproximadamente 1 hr 20 minutos en cargarse. Las luces LED indicadoras de la batería parpadearán y se iluminarán una a una durante el proceso de carga. Desconecte el cargador inmediatamente cuando las tres luces LED estén iluminadas.

⚠ ¡PRECAUCIÓN! PELIGRO DE INCENDIO. Al desconectar el cargador de la batería, asegúrese de desenchufar primero el cargador del tomacorriente, y luego desconecte el cargador de la batería.

⚠ ¡ADVERTENCIA! Este cargador no se apaga de forma automática cuando la batería está completamente cargada. Tenga cuidado de no dejar la batería conectada al cargador. Apague o desenchufe el cargador del tomacorriente cuando la carga haya sido completada.

4. Una recarga oportuna de la batería ayudará a prolongar su vida útil. Usted debe recargar la batería cuando note una caída en la potencia del equipo.

¡IMPORTANTE! Nunca permita que la batería se descargue por completo ya que esto causará un daño irreversible a la batería.

Ensamblado

⚠ ¡PELIGRO! Nunca arranque el motor antes de instalar la barra-guía, cadena y cubierta de extremo de cadena/piñón. Sin todas estas partes en su lugar, el embrague puede explotar o salir volando, causando severas lesiones al usuario.

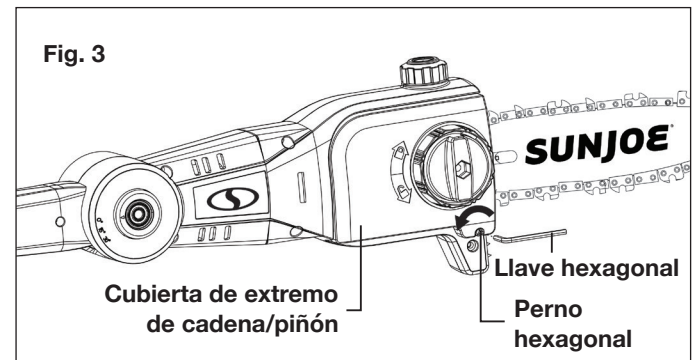
Instalación y reemplazo de la barra-guía y cadena de corte

Herramientas y accesorios requeridos:

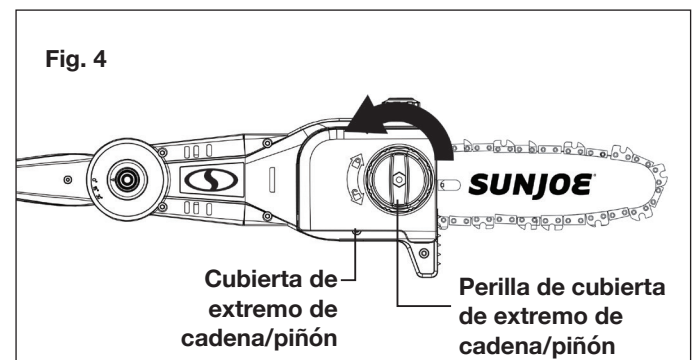
- Llave hexagonal (incluida)
- Guantes resistentes para trabajo

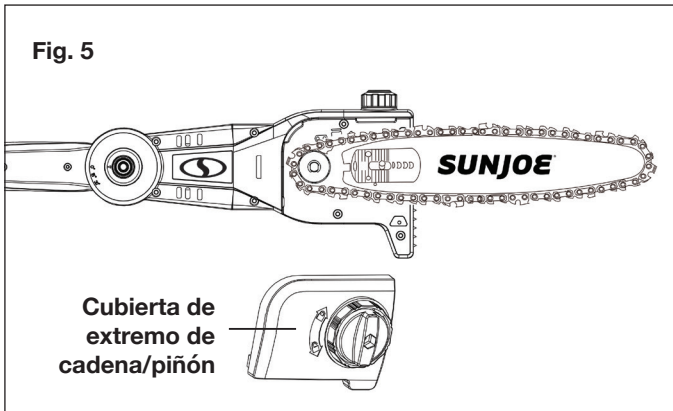
NOTA: al reemplazar la barra-guía y la cadena, use solo partes de repuesto idénticas. Asegúrese de que la motosierra de altura esté desconectada de la batería antes de proceder con la instalación.

1. Retire el perno hexagonal desenroscándolo en sentido antihorario con la llave hexagonal (Fig. 3).

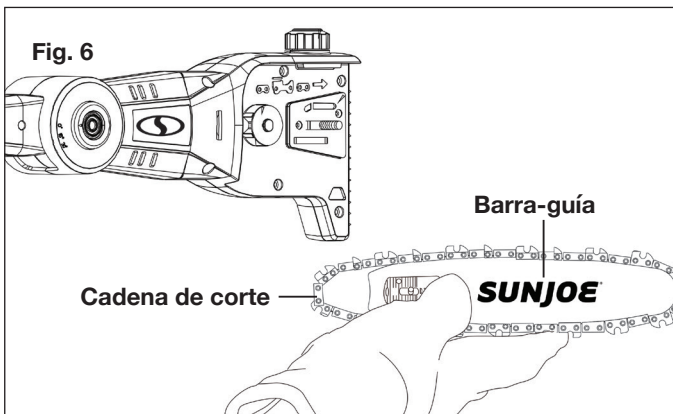


2. Desenrosque la perilla de cubierta de extremo de cadena/piñón para liberar la cubierta de extremo de cadena/piñón (Figs. 4 y 5).

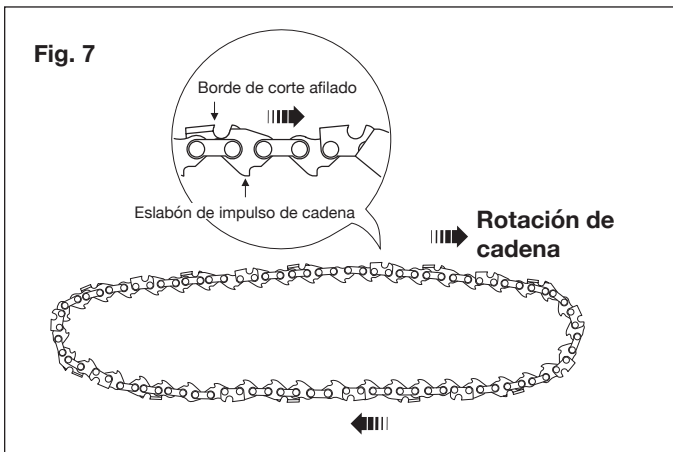




3. Retire la barra-guía y cadena de la superficie de montaje (Fig. 6).

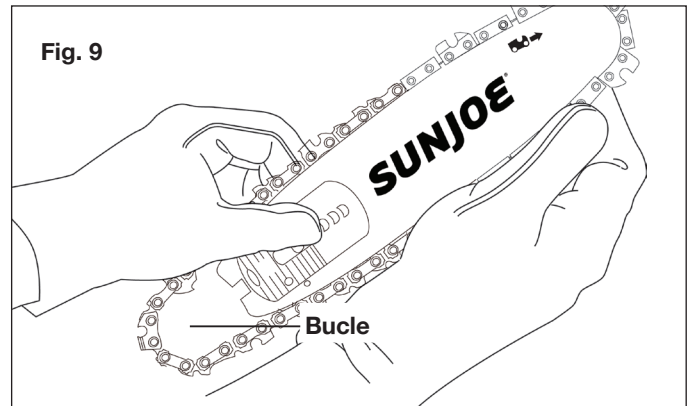
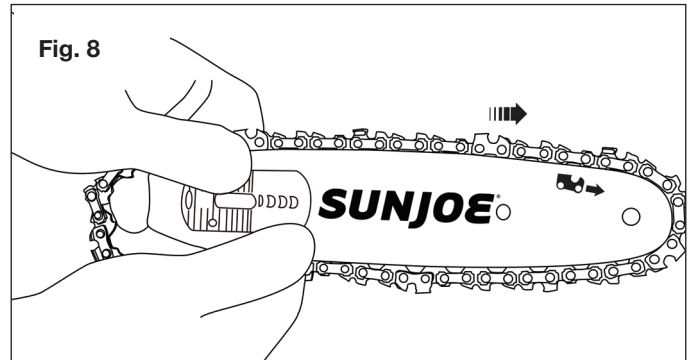


4. Retire la cadena antigua de la barra-guía.
5. Coloque la nueva cadena de motosierra en un bucle, enderezando cualquier posible pliegue. **EL LADO AFILADO DE LAS CUCHILLAS DEBE ESTAR ORIENTADO EN LA DIRECCIÓN OPUESTA A USTED, EN LA DIRECCIÓN DE LA ROTACIÓN DE CADENA INDICADA EN LA BARRA-GUÍA** → →. Si las cuchillas están en sentido opuesto, dé vuelta al bucle (Fig. 7).

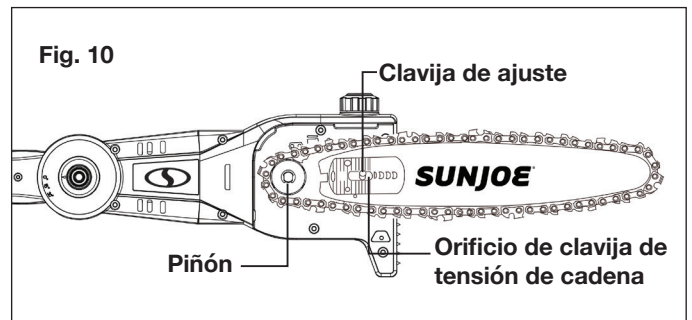


6. Empezando en la punta, monte los eslabones de impulso de la cadena en la ranura de la barra-guía, dejando un bucle en la parte posterior de la barra-guía. La cadena encajará suelta hasta que sea colocada en el piñón (Figs. 8 y 9).

NOTA: compruebe la dirección correcta de la cadena → →. Si la cadena es montada al revés, la motosierra vibrará de forma anormal y no cortará.



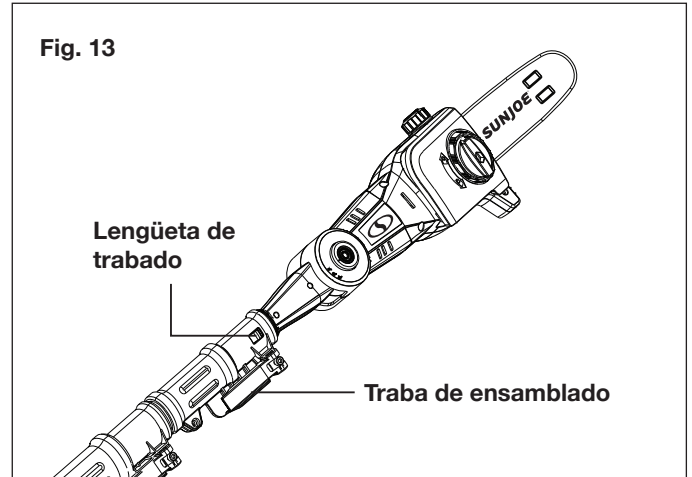
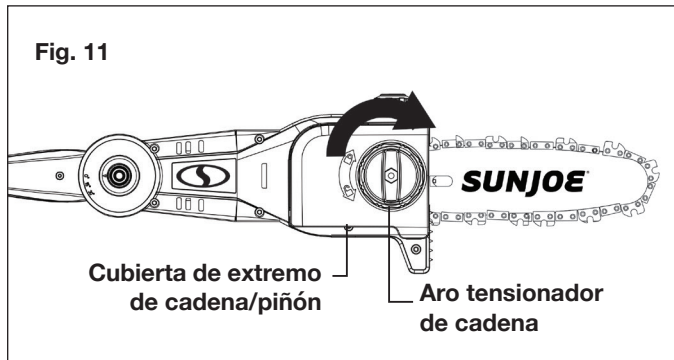
7. Sostenga la cadena en su lugar sobre la barra y coloque el bucle alrededor del piñón. Coloque la barra nivelada contra la superficie de montaje de manera que los pernos de barra estén en la ranura larga de la barra, y la clavija de ajuste esté en el orificio de clavija de tensión de cadena (Fig. 10).



8. Vuelva a colocar la cubierta de extremo de cadena/piñón sobre el cabezal de la motosierra. Apriete la perilla de cubierta de extremo, pero deje la barra con libre movimiento para el ajuste de tensión. Reinstale el perno hexagonal enroscándolo en sentido horario con la llave hexagonal.

9. Retire todo el exceso de la cadena girando el aro tensionador de la cadena en sentido horario hasta que la cadena encaje perfectamente contra los eslabones de impulso en la ranura de la barra-guía (Fig. 11).

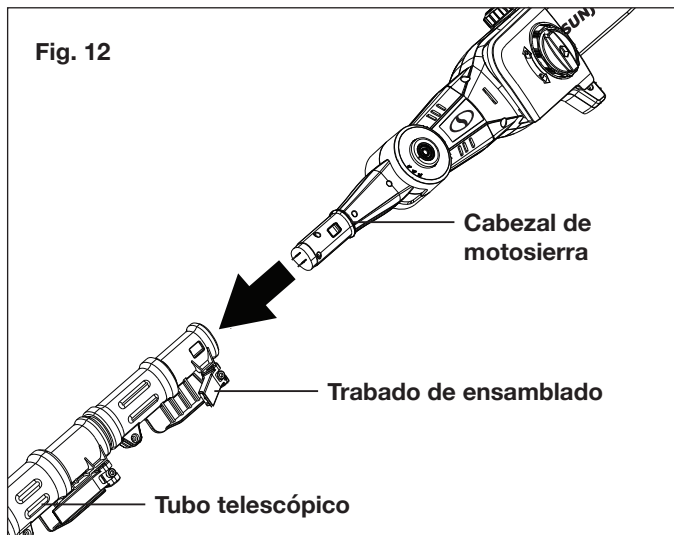
NOTA: la cadena está tensionada correctamente cuando no hay una holgura en el lado inferior de la barra-guía y la cadena está ajustada pero puede ser rotada a mano sin forzarla. Para más información sobre el tensionamiento de la cadena, vea la sección de mantenimiento empezando en la página 40.



3. Para retirar el cabezal de motosierra, suelte el gatillo interruptor de encendido/apagado y retire la batería. Destrabe la traba de ensamblado. Empuje las lengüetas de trabado en ambos lados y jale hacia afuera el cabezal de la motosierra (Fig. 13).

Conexión del tubo telescópico

1. Abra el trabado de ensamblado en el tubo telescópico, y empuje el cabezal de motosierra dentro de la abertura en el extremo del tubo (Fig. 12).

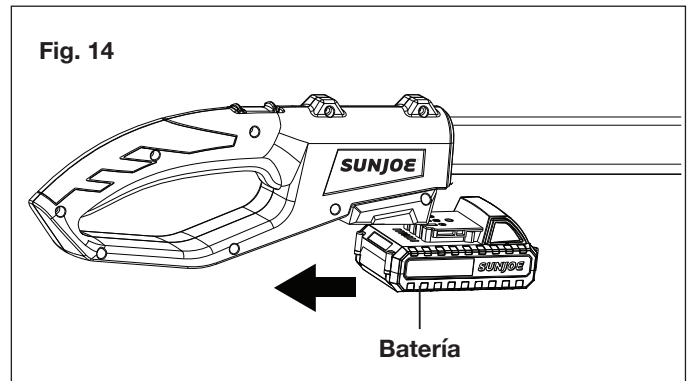


2. Cuando la lengüeta de trabado encaje, trabe de vuelta el trabado de ensamblado, y la motosierra de altura estará lista para ser usada (Fig. 13).

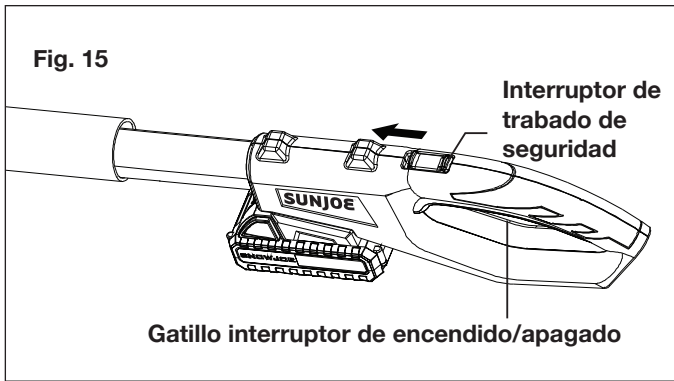
Operación

Puesta en marcha y parada

1. Deslice la batería dentro del compartimiento de batería hasta que haga "clic" para trazarla en su posición (Fig. 14).



2. Para encender la motosierra de altura, empuje y mantenga empujando hacia adelante el interruptor de trabado de seguridad (ubicado en el mango) con su pulgar y luego apriete el gatillo interruptor de encendido/apagado con sus dedos. Una vez que la herramienta esté funcionando, usted puede soltar el interruptor de trabado de seguridad (Fig. 15).



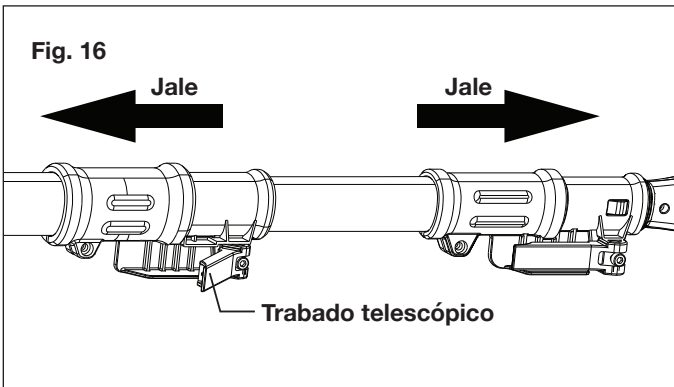
3. Para apagar la herramienta, suelte el gatillo interruptor de encendido/apagado (Fig. 15).

Ajuste del tubo telescópico

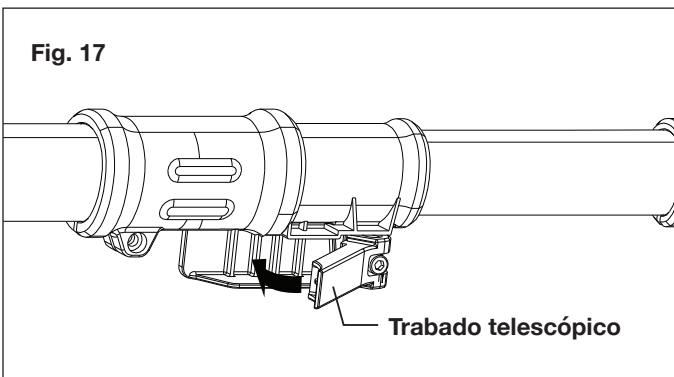
Esta máquina está equipada con un tubo telescópico que proporciona un alcance de altura de hasta 7.2 pies (4.3 m). Para ajustar el tubo telescópico, siga las instrucciones a continuación.

1. Retire la batería del compartimiento para desconectar la alimentación a la motosierra.
2. Desenganche el trabado telescópico para soltar el tubo. Extienda el tubo a la longitud deseada (Fig. 16).

NOTA: empuje los tubos uno hacia el otro para reducir la longitud del tubo telescópico, o jálelos hacia fuera para extenderla. Solo extienda el tubo a la longitud mínima requerida para alcanzar la rama.



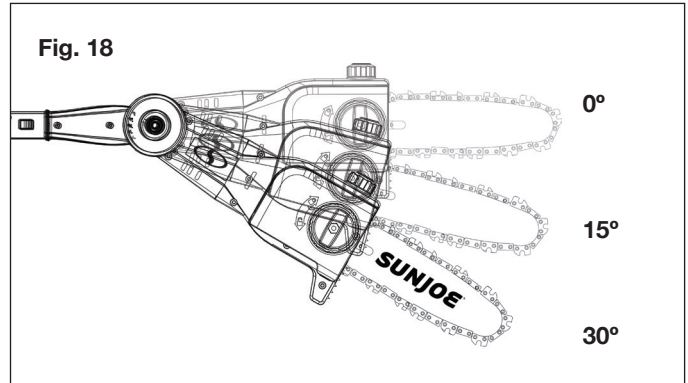
3. Trabe el tubo telescópico en su posición cerrando el trabado telescópico (Fig. 17), y compruebe que el tubo esté firmemente asegurado.



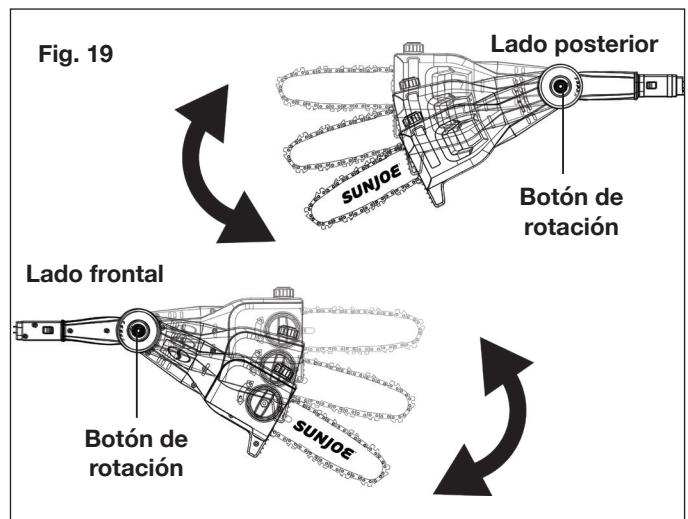
⚠ ¡ADVERTENCIA! No asegurar el trabado telescópico tal como se indica puede resultar en lesiones personales.

Ajuste del cabezal multi-ángulo

El cabezal de la motosierra de altura puede ser rotado para diferentes ángulos de corte: 0°, 15° y 30° (Fig. 18). Siga las instrucciones a continuación para ajustar el ángulo.



1. Gire el cabezal de motosierra al ángulo de corte deseado mientras presiona simultáneamente los botones de rotación en ambos lados (Fig. 19).



2. Suelte los botones cuando el cabezal de la motosierra esté en el ángulo correcto.

NOTA: no asegurar correctamente el cabezal de la motosierra puede resultar en lesiones personales severas y/o daños materiales.

⚠ ¡ADVERTENCIA! ¡Asegúrese siempre de que el cabezal de la motosierra esté trabado de forma segura! ¡No intente usar la motosierra de altura con el cabezal destrabado o en cualquier otra posición!

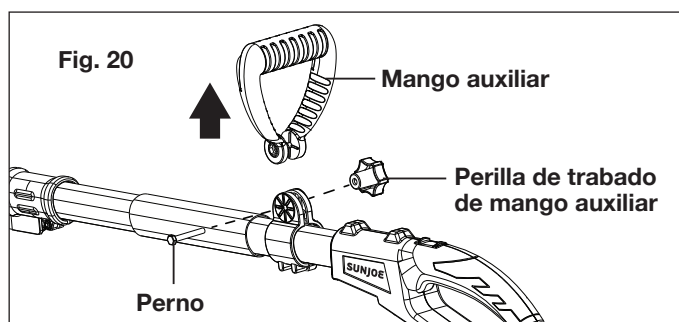
Ajuste del mango auxiliar

La motosierra está equipada con un mango auxiliar que puede ser ajustado o retirado. Siga las instrucciones a continuación para operar el mango auxiliar.

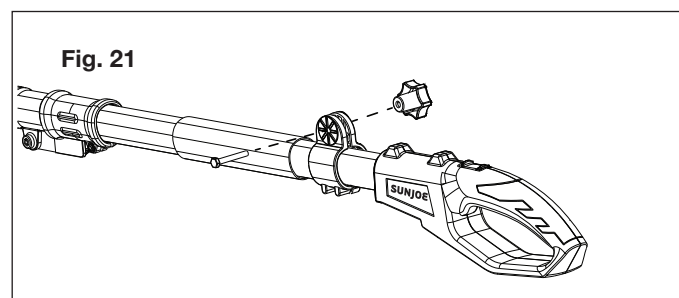
⚠ ¡ADVERTENCIA! Asegúrese de que la perilla, perno y tornillos estén fijos en su lugar. No asegurar cualquiera de éstos tal como se indica puede resultar en lesiones personales o daños materiales.

Para retirar el mango auxiliar

1. Retire la batería del compartimiento para desconectar la alimentación a la motosierra.
2. Desenrosque la perilla de trabado de mango auxiliar, retire el perno, y luego jale hacia arriba el mango auxiliar (Fig. 20).

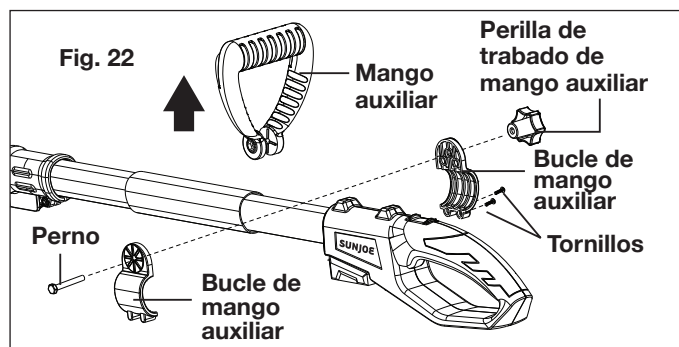


3. Reensamble la perilla de trabado de mango auxiliar y el perno (Fig. 21).



Para ajustar la posición del mango auxiliar

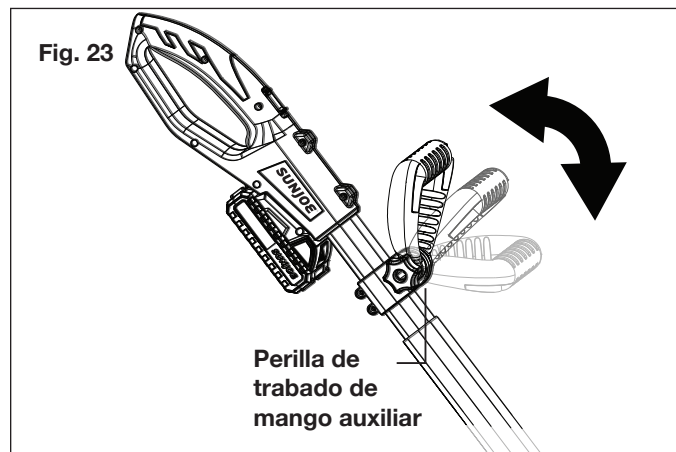
1. Retire la batería del compartimiento para desconectar la alimentación a la motosierra.
2. Retire la perilla de trabado de mango auxiliar, el perno, y el mango auxiliar. Use un destornillador para retirar los dos tornillos que sujetan los bucles de mango auxiliar. Retire los bucles del tubo (Fig. 22).



3. Reensamble los bucles de mango auxiliar en la posición deseada del tubo usando los dos tornillos, y vuelva a colocar el mango auxiliar, la perilla de trabado de mango auxiliar y el perno (Fig. 22).

Para ajustar el ángulo del mango auxiliar

1. Detenga la motosierra soltando el gatillo interruptor de encendido/apagado.
2. El mango auxiliar puede ser ajustado en -45° , 0° y 45° . Rote la perilla de trabado de mango auxiliar para destrabar el mango, y luego rote el mango al ángulo deseado (Fig. 23).



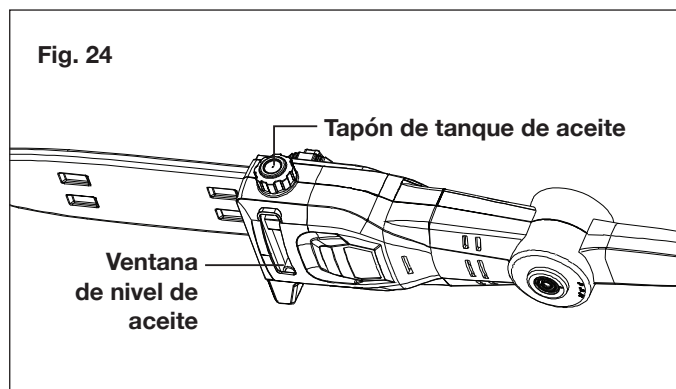
3. Rote la perilla de trabado de mango de vuelta para trabar el mango en su posición.

Consejos de operación para la motosierra de altura

⚠ ¡PRECAUCIÓN!

- Antes de encender la motosierra, quite el tapón del tanque de aceite y agregue aceite para barra y cadena hasta la parte superior de la ventana de nivel de aceite (Fig. 24). Un minuto de uso consumirá aproximadamente 0.15 fl Oz (4 ml) de aceite. Agregue aceite cuando el nivel caiga a menos de $\frac{1}{4}$ de tanque.

NOTA: el cabezal de su motosierra de altura está equipado con una bomba automática de aceite para la lubricación de la barra y cadena. Usted debe agregar aceite de barra y cadena o su motosierra de altura no funcionará.



⚠ ¡ADVERTENCIA! Asegúrese de que la cadena no esté en contacto con ningún objeto cuando usted arranque el motor.

⚠ ¡ADVERTENCIA! Mantenga las manos alejadas de la cadena. Mantenga las manos en los mangos. No se extralimite.

Una sujeción buena y firme de la herramienta, usando ambas manos, le ayudará a mantenerla controlada. Coloque una mano en la empuñadura suave del tubo telescópico y la otra mano en el mango con su pulgar y demás dedos rodeando el tubo y el mango. Una sujeción firme, combinada con la colocación apropiada del mango contra su cuerpo, le ayudará a mantener el control de la motosierra. No suelte la motosierra mientras esté funcionando.

⚠ ¡PRECAUCIÓN! La cadena continuará girando por varios segundos luego de haber apagado la herramienta.

No utilice la motosierra de altura en entornos mojados. Tenga extremo cuidado al cortar arbustos pequeños, brinzales o ramas bajo tensión ya que el material tenso y angosto puede ser atrapado por la motosierra y, al recuperarse elásticamente, ser azotado contra usted, haciéndole perder el equilibrio.

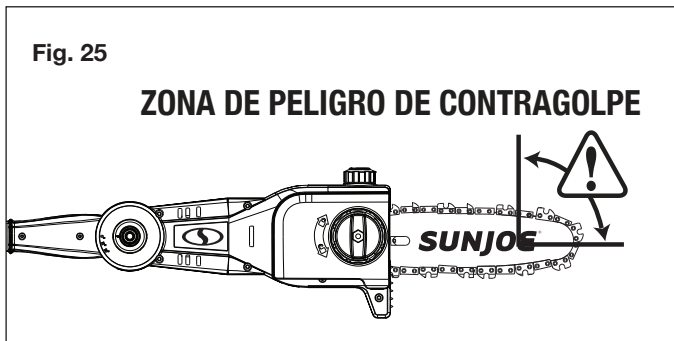
No use la motosierra de altura para cortar plantas trepadoras y/o maleza.

Antes de cada sesión de corte, revise minuciosamente la lista de inspección diaria (ver página 41).

⚠ ¡ADVERTENCIA! No corte árboles cerca de cables eléctricos.

⚠ ¡ADVERTENCIA! No lubricar la cadena causará daños a la barra-guía y a la cadena. Use solo aceite para barra y cadena de buena calidad y formulado específicamente para su uso con motosierras. Un minuto de uso consumirá aproximadamente 0.15 fl Oz (4 ml) de aceite.

NOTA: es normal que el aceite se derrame de la motosierra cuando esta no esté siendo usada. Para prevenir derrames, vacíe el tanque de aceite luego de cada uso. Al guardar la unidad por un periodo prolongado (como de tres meses o más), asegúrese de que la cadena esté ligeramente lubricada para evitar óxido en ésta y en el piñón de barra-guía.

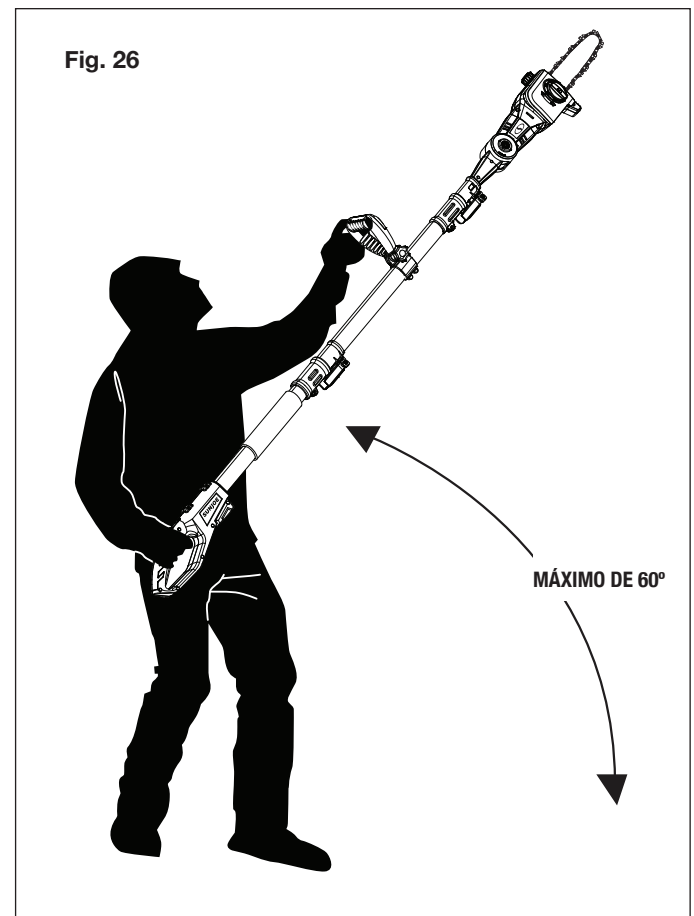


⚠ ¡ADVERTENCIA! Un contragolpe puede ocurrir cuando la cadena en movimiento hace contacto con un objeto en la parte superior de la punta de la barra-guía, o cuando la madera se cierra apretando la motosierra durante el corte (Fig. 25). El contacto en la parte superior de la punta de la

barra-guía puede causar que la cadena se entierre en el objeto y detenga la cadena por un instante. El resultado es una reacción en reversa extremadamente rápida que lanza la barra-guía hacia arriba y hacia atrás, en dirección del operador. Si la motosierra está atrapada a lo largo del extremo superior de la barra-guía, la barra-guía puede ser empujada rápidamente hacia el operador. Cualquiera de estas reacciones puede causar una pérdida de control de la motosierra, que puede hacer que el operador pierda el equilibrio y se lesione severamente. No se fie exclusivamente en los dispositivos de seguridad incorporados a la motosierra. Como usuario, usted deberá tomar varias precauciones para que sus trabajos de corte estén libres de accidentes o lesiones.

Postura apropiada para el corte

- Balancee su peso con ambos pies, en terreno sólido.
- Su cuerpo deberá estar siempre a la izquierda de la línea de cadena.
- La aplicación más común de corte es colocar la unidad en un ángulo de 60° o menos, dependiendo de la situación específica (Fig. 26). A medida que el ángulo del tubo de la motosierra de altura con el suelo va en aumento, aumenta también la dificultad de hacer el primer corte (desde el lado inferior de la rama).



Procedimiento básico de corte

Esta unidad con el cabezal de motosierra está diseñada para podar tallos y ramas pequeñas de hasta 6.5 plg (16.5 cm) de diámetro, sin exceder un diámetro máximo de 7.5 plg (19 cm) según el tipo de madera. Practique cortando algunas ramas pequeñas empleando la siguiente técnica para tener una idea de cómo usar la motosierra antes de empezar una operación de aserrado más grande.

- Mantenga una postura apropiada frente al árbol con la motosierra apagada (Fig. 26).
- Apriete el gatillo interruptor de encendido/apagado y deje que la cadena acelere a su máxima velocidad antes de proceder a cortar.
- Mantenga la motosierra funcionando durante todo el tiempo de corte, a una velocidad constante.
- Permita que la cadena corte por usted; aplique solo una ligera presión hacia abajo. Si fuerza el corte puede dañar la barra-guía, la cadena o la unidad.
- **EMPUJE y TRACCIÓN:** estas fuerzas de reacción son siempre opuestas a la dirección del movimiento de la cadena cuando hace contacto con la madera. Por tanto, el operador debe estar listo para controlar la **TRACCIÓN** al cortar con el borde inferior de la barra-guía, y el **EMPUJE** al cortar con el borde superior.
- No aplique presión en la motosierra, en el extremo del corte.

Podado

Podado es el proceso de cortar ramas de un árbol vivo.

- Retire las ramas largas en varias etapas.
- Corte las ramas inferiores primero, para darles a las ramas altas espacio para su caída.
- Al podar árboles, es importante no hacer el corte final cerca de la rama principal o tronco hasta que usted haya cortado la rama más alejada. Esto reducirá el peso y evitará arrancar la corteza del tronco principal.
- Corte la rama por debajo, a $\frac{1}{3}$ de su diámetro. Este será su primer corte. Su segundo corte deberá ser por encima para que la rama se desprenda (Fig. 27). Esté listo para balancear el peso de la motosierra de altura cuando la rama caiga.

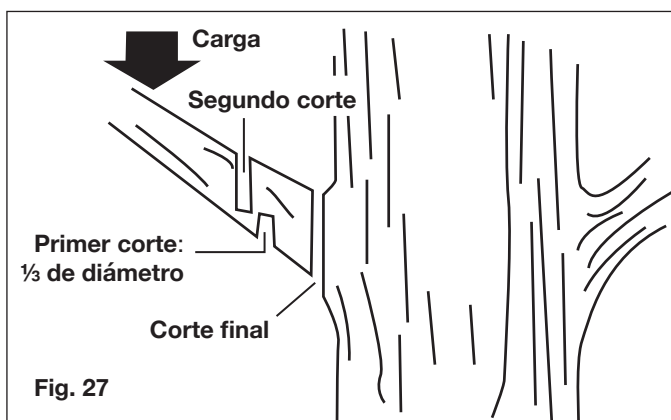


Fig. 27

- Al volver a encender el motor, mantenga siempre presionado el gatillo interruptor de encendido/apagado.

NOTA: el motor solo funciona cuando el gatillo interruptor de encendido/apagado es apretado, y se apaga cuando el interruptor de encendido/apagado es soltado.

- Ahora, haga su corte final, suave y prolijamente, desde la parte superior de la rama, contra la rama principal, de manera que la corteza crezca y selle la “herida”.
- Suelte el gatillo interruptor de encendido/apagado tan pronto como haya finalizado el corte. No seguir los procedimientos adecuados de corte resultará en un doblado de la barra-guía y cadena al quedar atrapadas en la rama.

Desramado

Desramado es el proceso de retirar las ramas de un árbol caído.

- Usted debe cortar las ramas solo una por vez. Retire del área de trabajo las ramas cortadas para mantenerla limpia y segura.
- Corte las ramas bajo tensión de abajo hacia arriba para evitar aprisionar la barra y cadena.
- Mantenga el árbol entre usted y la motosierra de altura durante el desramado. Corte desde el lado del árbol opuesto a la rama que esté cortando.

Si la motosierra queda atrapada o aprisionada

1. Espere a que la cadena se detenga. Espere cinco minutos a que la motosierra se enfríe, retire la batería, y utilice guantes para proteger sus manos contra las cuchillas de la cadena.
2. Si puede alcanzar la rama desde el suelo, levante la rama sosteniendo la motosierra al mismo tiempo. Esto deberá liberar la “trampa”, y usted podrá retirar la motosierra.
3. Si la motosierra aún sigue atrapada, llame a un profesional para recibir ayuda.

Cuidado y mantenimiento

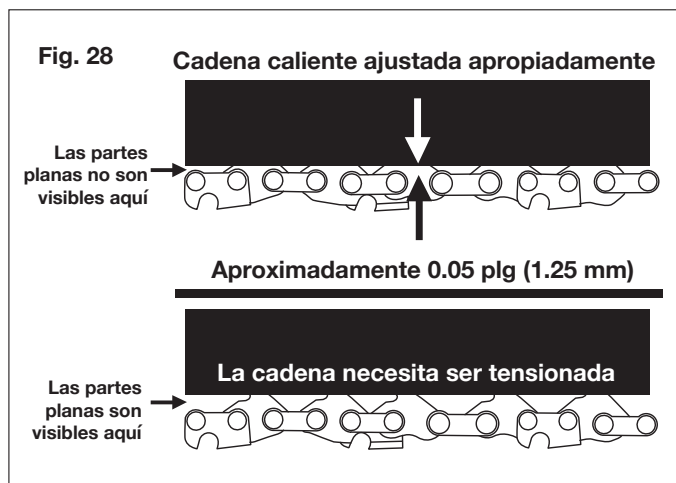
⚠ ¡ADVERTENCIA! Siempre retire la batería antes de llevar a cabo cualquier ajuste, trabajo de mantenimiento o reparación en su motosierra inalámbrica de altura.

- Use guantes protectores al manipular la barra-guía y la cadena.
- Mantenga la barra-guía insertada en su funda, excepto al intervenir directamente en la barra-guía o la cadena.
- Nunca se deshaga de aceites u otros materiales contaminantes en lugares no autorizados.

Tensión de la cadena

Verifique la tensión de la cadena antes de usar la motosierra, cuando la cadena esté fría. Una cadena fría está tensionada correctamente cuando no hay una holgura en el lado inferior de la barra-guía: la cadena está ajustada pero usted puede rotarla a mano sin esfuerzo.

Durante la operación normal de la motosierra, la temperatura de la cadena se incrementará. Los eslabones de impulso de una cadena caliente tensionada correctamente colgarán aproximadamente a 0.05 plg (1.25 mm) de la ranura de la barra-guía (Fig. 27). Tenga en cuenta que una cadena tensionada cuando está caliente puede terminar demasiado ajustada al enfriarse. Verifique la “tensión en frío” antes del próximo uso. La cadena deberá ser re-tensionada cuando las partes planas en los eslabones de impulso cuelguen de la ranura de la barra (Fig. 28).



NOTA: una cadena nueva tiende a estirarse. Compruebe la tensión de cadena y re-tensione según se necesite.

Tuercas y tornillos

Compruebe periódicamente que todas las tuercas y tornillos estén ajustados de forma segura. Verifique que el trabado telescópico y traba de ensamblado estén en perfecto estado y funcionando correctamente.

Afilamiento de la cadena

⚠ ¡ADVERTENCIA! Para asegurarse de que la motosierra funcione de forma segura y eficiente, es esencial que los componentes de corte estén bien afilados. **Se recomienda enfáticamente reemplazar la cadena una vez que pierda su habilidad de cortar de forma limpia y segura.** Es posible, sin embargo, afilar la cadena existente si se hace cuidadosamente. Cualquier trabajo en la cadena y barra requiere de una experiencia específica y herramientas especiales. Por motivos de seguridad le recomendamos contactar a un concesionario autorizado Snow Joe® + Sun Joe® o llamar a la central de servicio al cliente Snow Joe® + Sun Joe® al 1-866-SNOWJOE (1-866-766-9563).

El afilamiento es necesario cuando:

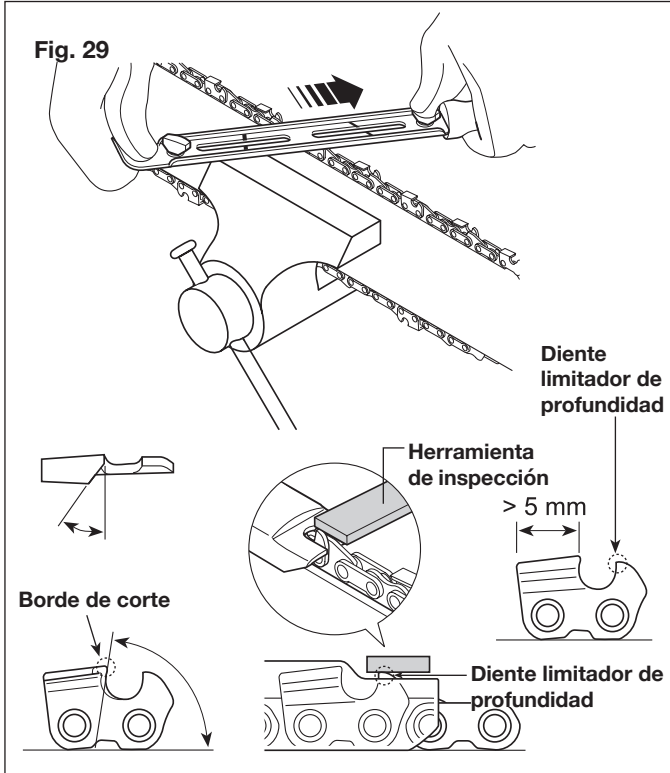
- El aserrín parece polvo;
- El corte se vuelve más difícil;
- El corte no es recto; o
- Las vibraciones aumentan.

Un centro de servicio autorizado afilará la cadena usando las herramientas correctas para asegurar un mínimo retiro de material y un afilado parejo en todos los bordes de corte.

Si afila la cadena usted mismo, use limas especiales de secciones redondeadas con el diámetro correcto, dependiendo del tipo de cadena (ver “Tabla de mantenimiento de cadena” en la página 41). Usted necesita un cierto nivel de destreza y experiencia para evitar dañar los bordes de corte.

Afile la cadena como se indica (Fig. 29):

- Asegure la barra-guía firmemente, con la cadena montada, en un tornillo de banco adecuado.
- Ajuste la cadena si está suelta.
- Monte la lima en la guía y luego insértela en el diente, a un ángulo constante del borde de corte.
- Afile en un movimiento hacia adelante unas cuantas veces, y repita en todos los bordes de corte en la misma dirección (izquierda o derecha).
- Para hacer avanzar la cadena, use un destornillador.
- Voltee la barra-guía en el tornillo de banco y repita en los demás bordes de corte.
- Compruebe que el diente limitador no sobresalga más que el instrumento de inspección, y lime cualquier parte saliente con una lima plana, redondeando los bordes (Fig. 29).
- Luego del afilado, retire todos los residuos de afilado y polvo, y proceda a lubricar la cadena en un baño de aceite. Reemplace la cadena cuando:
 - La longitud de los bordes de corte se reduzca a 5 mm o menos; o
 - Haya demasiada holgura entre los eslabones y los remaches.



Mantenimiento de la barra-guía

Cuando la barra-guía muestre señales de desgaste, voltéela en la motosierra para distribuir el desgaste y lograr un máximo ciclo de vida útil. El desflecado y desbarbado de los rieles de la barra-guía son fenómenos normales del desgaste de la barra-guía. Usted debe corregir dichas fallas con un afilador tan pronto como aparezcan.

Reemplace una barra-guía con cualquiera de las siguientes fallas:

- Desgaste dentro de los rieles de la barra, dejando que la cadena yazca de costado;
- Barra-guía doblada;
- Rieles resquebrajados o rotos; o
- Rieles partidos.

Voltee la motosierra, inspeccione el lado inferior de la barra-guía, y asegúrese de que los orificios de lubricación y la ranura de la cadena estén libres de impurezas.

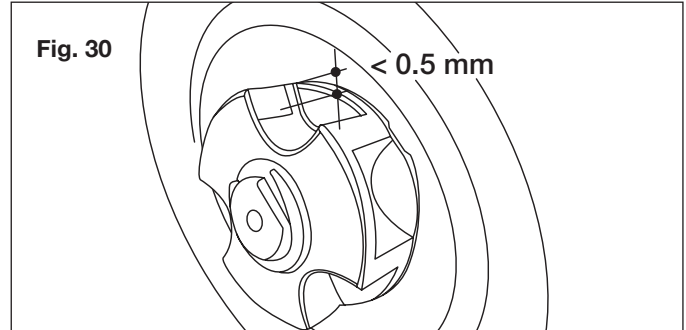
Tabla de mantenimiento de cadena

Eslabones de impulso	Paso de cadena		Calibre de cadena		Diámetro de lima	
	Pulgadas	Milímetros	Pulgadas	Milímetros	Pulgadas	Milímetros
33	3/8	9.5	0.050	1.3	5/32	4

Piñón de cadena

Compruebe regularmente la condición del piñón y reemplácelo cuando el desgaste exceda los 0.5 mm (Fig. 30).

No instale una cadena nueva con un piñón gastado o viceversa.



Solución de problemas

Consejos para la solución de problemas

La mayoría de problemas son fáciles de resolver. Consulte la tabla de solución de problemas para problemas comunes y sus soluciones. Si usted continúa teniendo problemas o necesita reparaciones más allá de estos ajustes menores, llame al 1-866-SNOWJOE (1-866-766-9563) para recibir asistencia.

⚠ ¡ADVERTENCIA! Siempre retire la batería antes de llevar a cabo cualquier ajuste, tarea de mantenimiento o reparación en su motosierra inalámbrica de altura.


Tabla de solución de problemas

Problema	Acción correctiva
El motor de la motosierra no enciende	<ul style="list-style-type: none"> • Compruebe que la batería se ha insertado correctamente y tiene energía suficiente como para trabajar. • Asegúrese de que usted haya presionado por completo, empujado hacia adelante y sujetado el interruptor de trabado de seguridad antes de apretar el gatillo interruptor de encendido/apagado.
La motosierra funciona, pero la velocidad de la cadena es baja	<ul style="list-style-type: none"> • La cadena está demasiado ajustada; vuélvala a tensionar.
La barra-guía y la cadena funcionan muy calientes y echan humo	<ul style="list-style-type: none"> • La cadena está demasiado ajustada; vuélvala a tensionar. • El tanque de aceite de la cadena está vacío; vuélvalo a llenar con aceite. • Los orificios de lubricación están obstruidos; límpielos.
El motor de la motosierra funciona, pero la cadena no está girando	<ul style="list-style-type: none"> • La cadena está demasiado ajustada; vuélvala a tensionar. • La barra-guía o la cadena están dañadas; inspeccione y reemplace la parte dañada.

Lista de inspección diaria, limpieza y almacenamiento

Lista de inspección diaria

Para mantener su motosierra de altura funcionando de forma óptima, le recomendamos completar esta lista de inspección antes de cada sesión de trabajo.

 **¡ADVERTENCIA!** No inserte la batería hasta que usted haya realizado todas las inspecciones diarias.

- Inspeccione en busca de cualquier daño a la cadena, barra-guía o carcasa de motor.
- Inspeccione el puerto de aceite y los rieles de la barra-guía; y límpielos para retirar cualquier suciedad.
- Inspeccione la tensión de la cadena.
- Verifique que las cuchillas de la cadena estén afiladas.
- Verifique el nivel de aceite para barra y cadena; llene solo con aceite de cadena nuevo, formulado especialmente para motosierras.

NOTA: si se percata de algo inusual, tal como una vibración o sonido extraño, apague la motosierra inmediatamente. Retire la batería y revise la motosierra, buscando el daño.

Si no puede encontrar la causa del problema o no sabe qué hacer, haga que un concesionario autorizado Snow Joe® + Sun Joe® inspeccione la motosierra, o comuníquese con la central de servicio al cliente Snow Joe® + Sun Joe® llamando al 1-866-SNOWJOE (1-866-766-9563) antes de usarla.

¡PRECAUCIÓN!

- Retire la batería y espere por lo menos cinco minutos para que la motosierra se enfríe antes de guardarla o repararla.
- Si usted deja caer la sierra, inspecciónela cuidadosamente para ver que no hayan daños. Si la barra-guía está doblada, la carcasa está quebrada, el mango está roto, o si usted nota cualquier otra condición que pueda afectar la operación de la motosierra, **NO USE LA HERRAMIENTA**. Más bien, hágala reparar en un concesionario Snow Joe® + Sun Joe® autorizado o comuníquese con la central de servicio al cliente Snow Joe® + Sun Joe® llamando al 1-866-SNOWJOE (1-866-766-9563).

Eliminación

Reciclado de la herramienta

- No se deshaga de artefactos eléctricos como si fueran residuos urbanos sin clasificar. Use instalaciones de recolección aparte.
- Contacte a su agencia gubernamental local para obtener información sobre los sistemas de recolección disponibles.
- Si los artefactos eléctricos son desechados en rellenos sanitarios o basureros, las sustancias peligrosas pueden contaminar el agua subterránea y entrar en la cadena alimentaria, dañando su salud y bienestar.
- Al reemplazar artefactos viejos con nuevos, el vendedor está obligado legalmente a aceptar su artefacto antiguo para su eliminación, sin costo alguno por parte de usted.

Reciclaje y eliminación


El producto viene en un empaquetado que lo protege contra daños durante el transporte. Conserve el empaquetado hasta que usted esté seguro de que todas las partes hayan venido en este y que el producto esté funcionando adecuadamente. Luego, recicle el empaquetado o consérvelo para un almacenamiento a largo plazo.



Símbolo WEEE. Los productos eléctricos no deben ser desechados en la basura doméstica. Recíclelos donde hayan instalaciones adecuadas. Consulte con las autoridades locales o tienda local para saber sobre las normas de reciclaje.

Precaución y eliminación de la batería

Deshágase de su batería de acuerdo con los reglamentos federales, estatales y locales. Para encontrar lugares de reciclaje, comuníquese con un servicio de reciclaje en su localidad.

 **¡PRECAUCIÓN!** Incluso las baterías descargadas contienen algo de energía. Antes de deshacerse de éstas, use cinta aislante para cubrir los terminales y evitar que la batería haga cortocircuito, lo cual puede causar una explosión o incendio.

⚠ ¡ADVERTENCIA! Para reducir el riesgo de lesiones personales o explosión, nunca queme ni incinere una batería incluso si está dañada, inservible o completamente descargada. Al ser quemada, los humos y materiales tóxicos son emitidos a la atmósfera circundante.

1. Las baterías varían de acuerdo a la herramienta inalámbrica. Consulte su manual para obtener la información específica.
2. Instale solo nuevas baterías del mismo tipo en su producto (donde corresponda).
3. No insertar las baterías con la polaridad correcta, tal como se indica en el compartimiento de la batería o en el manual, puede reducir el ciclo de vida útil de las baterías o causar fugas en las baterías.
4. No combine baterías nuevas con antiguas.
5. No combine baterías alcalinas, estándar (de zinc-carbono) o recargables (de níquel-cadmio, de níquel-hidruro metálico o de iones de litio).
6. No arroje baterías al fuego.
7. Las baterías deben ser recicladas o desechadas según los reglamentos locales y estatales.

Soporte

Si su motosierra inalámbrica de altura iON+ 24V-PS8-LTE de Sun Joe® requiere servicio o mantenimiento, comuníquese con nuestra central de servicio al cliente llamando al 1-866-SNOWJOE (1-866-766-9563) para recibir asistencia.

Modelo y número de serie

Al contactar a la empresa, ordenar partes de repuesto o programar una reparación en un centro autorizado, usted necesitará proporcionar el modelo y número de serie, los cuales se encuentran en la etiqueta ubicada en la carcasa de la unidad. Copie estos números en el espacio proporcionado a continuación.

Registre los siguientes números que se encuentran en la carcasa o mango de su nuevo producto:	
Modelo:	
2 4 V - P S 8 - L T E	
Nº de serie:	

24VCHRG-AC

Federal Communications Commission (Comisión Federal de Comunicaciones o FCC):

⚠ ¡ADVERTENCIA! Cualquier cambio o modificación a esta unidad no aprobados expresamente por la parte responsable del cumplimiento pueden hacer que el usuario pierda el derecho de utilizar el equipo.

Dispositivo Clase B:

NOTA: este equipo ha sido probado y cumple con los límites de la Clase B de dispositivos digitales, de acuerdo con la Parte 15 de las normas de la FCC.

Estos límites están diseñados para proporcionar protección razonable contra interferencias dañinas en una instalación residencial.

Este equipo genera, usa y puede irradiar energía de radiofrecuencia y, si no se instala y utiliza de acuerdo con las instrucciones, puede provocar interferencias perjudiciales en las comunicaciones radiofónicas.

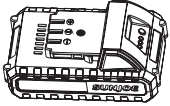
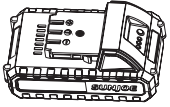
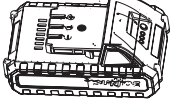



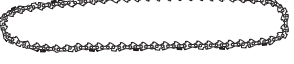

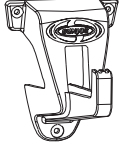
No obstante, no hay garantía alguna de que no se produzcan interferencias en una instalación concreta.

Si este equipo llegara a causar una interferencia perjudicial para la recepción de radio o televisión (la cual se puede determinar apagando y encendiendo el equipo), se recomienda que el usuario trate de corregir la interferencia tomando una o más de las siguientes medidas:

- Reorientar o reubicar la antena receptora.
- Aumentar la distancia entre el equipo y el receptor.
- Conectar el equipo a un tomacorriente correspondiente a un circuito diferente de aquel al que está conectado el receptor.
- Consultar a un comerciante o a un técnico experimentado de radio y televisión.

Accesorios opcionales

⚠ ¡ADVERTENCIA! USE SIEMPRE solo partes de repuesto y accesorios Snow Joe® + Sun Joe®. NUNCA use partes de repuesto o accesorios que no estén destinados para su uso con esta motosierra inalámbrica de altura. Comuníquese con Snow Joe® + Sun Joe® si tiene dudas sobre si es seguro usar una parte de repuesto o accesorio en particular con su motosierra inalámbrica de altura. El uso de cualquier otro accesorio o parte puede ser peligroso y causar lesiones personales o daños mecánicos.

Accesorio	Descripción	Modelo
<p>1</p> 	<p>Batería de iones de litio iON+ de 24V y 2.0 Ah <i>Tiempo máximo de duración de batería: Corta hasta 32 piezas de pino 10 cm x 10 cm)</i></p>	24VBAT-LTE
<p>2</p> 	<p>Batería de iones de litio iON+ de 24V y 2.5 Ah <i>Tiempo máximo de duración de batería: Corta hasta 40 piezas de pino 10 cm x 10 cm)</i></p>	24VBAT-LT
<p>3</p> 	<p>Batería de iones de litio iON+ de 24V y 4.0 Ah <i>Tiempo máximo de duración de batería: Corta hasta 64 piezas de pino 10 cm x 10 cm)</i></p>	24VBAT
<p>4</p> 	<p>Batería de iones de litio iON+ de 24V y 5.0 Ah <i>Tiempo máximo de duración de batería: Corta hasta 80 piezas de pino 10 cm x 10 cm)</i></p>	24VBAT-XR
<p>5</p> 	<p>Cargador rápido de batería de iones de litio iON+ de 24V</p>	24VCHRG-QC
<p>6</p> 	<p>Cargador de doble puerto para baterías de iones de litio iON+ de 24V</p>	24VCHRG-DPC
<p>7</p> 	<p>Cadena de 8 plg (20.3 cm)</p>	SWJ-8CHAIN
<p>8</p> 	<p>Barra-guía de 8 plg (20.3 cm)</p>	GTS-8CBAR
<p>9</p> 	<p>Soporte universal de pared con hardware de montura</p>	SJWB

NOTA: los accesorios están sujetos a cambios sin obligación alguna por parte de Snow Joe® + Sun Joe® de notificar sobre dichos cambios. Los accesorios pueden ser pedidos en línea en sunjoe.com o vía telefónica llamando a la central de servicio al cliente Snow Joe® + Sun Joe® al 1-866-SNOWJOE (1-866-766-9563).



LA PROMESA DE SNOW JOE® + SUN JOE® AL CLIENTE

POR SOBRE TODO, en Snow Joe, LLC (“Snow Joe”) estamos dedicados a usted, nuestro cliente. Nos esforzamos por hacer que su experiencia sea lo más placentera posible. Desafortunadamente, hay veces en que un producto Snow Joe®, Sun Joe®, o Aqua Joe® (el “Producto”) no funciona o sufre un desperfecto bajo condiciones normales de operación. Creemos que es importante que usted sepa que puede confiar en nosotros. Es por eso que tenemos esta Garantía Limitada (la “Garantía”) para nuestros Productos.

NUESTRA GARANTÍA:

Snow Joe garantiza que sus Productos motorizados y no motorizados, nuevos y genuinos, están libres de defectos materiales o de mano de obra al ser usados en tareas domésticas normales durante un periodo de dos (2) años a partir de la fecha de compra por parte del comprador original y usuario final, cuando este último los compra a través de Snow Joe o un vendedor autorizado por Snow Joe y ha obtenido un comprobante de compra. Ya que Snow Joe no puede controlar la calidad de sus Productos vendidos por vendedores no autorizados, a menos que la ley lo prohíba esta Garantía no cubre Productos adquiridos a través de vendedores no autorizados. Si su Producto no funciona, o hay un problema con una parte específica que está cubierta por los términos de esta Garantía, Snow Joe elegirá entre: (1) enviarle una parte de repuesto gratuita; (2) reemplazar el Producto con uno nuevo o similar sin costo alguno; o (3) reparar el Producto. ¡Un excelente soporte!

Esta Garantía le da derechos legales específicos, y usted puede también tener otros derechos según el Estado.

REGISTRO DEL PRODUCTO:

Snow Joe le recomienda enfáticamente registrar su Producto. Usted puede registrar su Producto en línea visitando snowjoe.com/register, imprimiendo y enviando por correo una tarjeta de registro disponible en línea en nuestro sitio Web, llamando a nuestra central de servicio al cliente al **1-866-SNOWJOE (1-866-766-9563)**, o enviándonos un e-mail a help@snowjoe.com. Si usted no registra su Producto sus derechos de garantía no disminuirán; sin embargo, registrar su Producto permitirá que Snow Joe le pueda atender mejor si usted tiene alguna necesidad como cliente.

¿QUIÉN PUEDE SOLICITAR COBERTURA DE GARANTÍA LIMITADA?

Esta Garantía es otorgada por Snow Joe al comprador original y propietario original del Producto.

¿QUÉ NO ESTÁ CUBIERTO?

Esta Garantía no se aplica si el Producto ha sido usado de forma comercial o en aplicaciones no domésticas o de alquiler. Esta Garantía tampoco se aplica si el Producto fue adquirido desde un vendedor no autorizado. Esta garantía tampoco cubre cambios cosméticos que no afecten el funcionamiento del Producto. Las partes desgastables como correas, brocas y cuchillas no están cubiertas por esta Garantía, y pueden ser compradas visitando snowjoe.com o llamando al **1-866-SNOWJOE (1-866-766-9563)**.

SCIE À CHAÎNE À MANCHE TÉLESCOPIQUE SANS CORDON

24 V MAX.* | 2,0 Ah | 20,3 cm | TÊTE MULTIANGLES

MANUEL D'UTILISATION

Une division de Snow Joe®, LLC

MODÈLE 24V-PS8-LTE

Formulaire n° SJ-24V-PS8-LTE-880F-MR3

IMPORTANT!

Consignes de sécurité

Tous les utilisateurs doivent lire ces consignes avant d'utiliser l'outil

Suivez toujours ces consignes de sécurité. Ne pas s'y conformer peut entraîner de graves blessures pouvant même être fatales.

Sécurité générale

⚠️ AVERTISSEMENT! Cet outil n'est pas destiné à être utilisé par des enfants ou par des personnes qui ne sont ni assistées ni supervisées et dont les capacités physiques, sensorielles ou mentales les empêchent de l'utiliser sans danger. Les enfants doivent toujours être supervisés pour s'assurer qu'ils ne jouent pas avec l'outil.

Avant de démarrer votre outil, veuillez l'inspecter soigneusement pour vérifier s'il présente d'éventuels défauts. En cas de constatation d'un défaut, ne démarrez pas l'outil. Communiquez avec un revendeur Snow Joe® + Sun Joe® agréé ou appelez le service clientèle Snow Joe® + Sun Joe® au 1-866-SNOWJOE (1-866-766-9563).

⚠️ AVERTISSEMENT! Lors de l'utilisation de cet outil électrique, les précautions de sécurité élémentaires doivent toujours être suivies afin de réduire le risque d'incendie, d'électrocution ou de dommages corporels. Il s'agit des précautions suivantes :

- 1. Maintenir la zone de travail propre et bien éclairée –**
Les endroits encombrés et sombres sont propices aux accidents.
- 2. Éviter les endroits dangereux –** N'utilisez pas cet outil électrique sous la pluie, dans des endroits humides ou mouillés ou par mauvais temps, surtout quand la foudre risque de tomber. Cette précaution réduit le risque d'être frappé par la foudre. Ne l'utilisez pas quand il y a du gaz dans l'air, quand l'atmosphère est explosive ou près de liquides inflammables ou combustibles. Le moteur de ce type d'outil produit des étincelles qui peuvent enflammer des vapeurs.

- 3. Apprendre à bien connaître l'outil –** Sachez comment démarrer et arrêter l'outil. Familiarisez-vous complètement avec les commandes.
- 4. Maintenir à l'écart les enfants, les spectateurs et les animaux familiers –** Tous les spectateurs, notamment les animaux familiers, doivent être maintenus à une distance de sécurité de la zone de travail.
- 5. S'habiller en conséquence –** Ne portez ni vêtements amples ni bijoux. Ils peuvent être happés par les pièces mobiles. Il est recommandé de porter des gants de protection en caoutchouc et des chaussures antidérapantes pour tout travail à l'extérieur.
- 6. ⚠️ MISE EN GARDE! –** Faire très attention pour éviter de glisser ou de tomber. Porter des chaussures de protection pour se protéger les pieds et avoir une meilleure prise sur les surfaces glissantes.
- 7. Rester vigilant –** Surveillez ce que vous faites. Faites preuve de bon sens. N'utilisez pas cet outil électrique si vous êtes fatigué ou si vous avez consommé de l'alcool ou de la drogue.
- 8. Ne pas s'arc-bouter –** Restez en permanence sur les deux pieds pour ne pas perdre l'équilibre.
- 9. Prévenir les démarrages accidentels –** Avant de brancher le bloc-piles, de saisir l'outil ou de le transporter, assurez-vous que l'interrupteur est à la position d'arrêt. Le transport de l'outil en maintenant le doigt sur l'interrupteur ou sa mise en marche alors que l'interrupteur est ouvert augmente le risque d'accident.

REMARQUE : cet avertissement ne s'applique pas aux outils dont les batteries ne peuvent pas être retirées lors de leur utilisation normale.

- 10. Utiliser le bon outil –** N'utilisez pas cet outil électrique pour un travail autre que celui pour lequel il est destiné.
- 11. Les lames sont affûtées –** Ne saisissez pas la lame de sciage ou son tranchant pour soulever l'outil électrique ou le transporter.
- 12. Utiliser les deux mains –** Tenez le manche télescopique et la poignée des deux mains pour éviter de perdre le contrôle de l'outil.
- 13. Retirer la batterie –** Retirez la batterie de l'outil électrique quand vous ne l'utilisez pas, avant d'intervenir dessus, quand vous changez d'accessoire ou quand vous effectuez toute autre tâche d'entretien.
- 14. Porter des lunettes de sécurité –** Portez également des chaussures de protection, des vêtements serrés près du corps, des gants de protection, des protecteurs d'oreilles et une protection de la tête.

- 15. Porter un casque de protection** – Protégez-vous toujours la tête quand vous utilisez cet outil électrique au-dessus de votre tête. Les chutes de débris peuvent être à l'origine de graves blessures.
- 16. Ne pas forcer l'outil** – Il fonctionnera mieux, sera moins dangereux et moins susceptible de tomber en panne s'il est utilisé à la vitesse pour laquelle il a été conçu.
- 17. Remiser l'outil à l'intérieur** – Si vous n'utilisez pas cet outil électrique, rangez-le à l'intérieur dans un endroit sec et surélevé ou sous clé, hors de portée des enfants.
- 18. Vérifier s'il y a des pièces endommagées** – Avant d'utiliser l'outil, inspectez-le soigneusement pour vérifier que tous les dispositifs de protection et autres pièces ne sont pas endommagés et pour vous assurer qu'il fonctionne correctement pour l'utilisation à laquelle il est destiné. Vérifiez l'alignement des pièces en mouvement, l'absence de grippage des pièces en mouvement, de rupture de pièce, le montage et tout autre problème susceptible d'entraver le bon fonctionnement de l'outil. Tout dispositif de protection ou toute autre pièce endommagés doivent être réparés ou remplacés de façon appropriée. Communiquez avec le service clientèle Snow Joe® + Sun Joe® en appelant le 1-866-SNOWJOE (1-866-766-9563) pour de l'aide.
- 19. Entretenir l'outil électrique avec soin** – Pour un rendement optimal et pour réduire le risque de blessures, maintenez les tranchants bien affutés et propres. Maintenez les poignées sèches, propres et exemptes d'huile et de graisse. Suivez les recommandations complémentaires décrites dans la section Entretien de ce manuel.
- 20.** N'utilisez pas cet outil électrique si la gâchette marche-arrêt ne réussit pas à le mettre en marche ou à l'arrêter. Un outil électrique qui ne répond pas aux commandes de la gâchette est dangereux et doit être réparé.
- 21.** Maintenez toutes les parties du corps éloignées de la lame de sciage ou de la chaîne. Quand les lames sont en mouvement, rien ne doit être retiré ou tenu à la main pour être coupé ou taillé. Si vous essayez de décoincer la lame, assurez-vous que l'interrupteur est fermé. Une fois le moteur coupé, les lames ou la chaîne continueront leur mouvement pendant quelques instants. Quand vous utilisez un outil électrique, un moment d'inattention peut se traduire par de graves blessures.
- 22.** Transportez l'outil électrique par le manche, la lame de sciage ou la chaîne étant à l'arrêt complet. Quand vous transportez ou rangez l'outil électrique, remplacez toujours le couvre-lame ou la coiffe du guide-chaîne. En maniant cette scie à chaîne à manche télescopique de façon appropriée, vous réduirez le risque que la lame de sciage ou la chaîne vous blesse.
- 23.** Saisissez l'outil électrique en plaçant les mains uniquement sur les surfaces isolées prévues à cet effet, car la lame de sciage ou la chaîne peut entrer en contact avec un câble ou un fil dissimulé. Quand la lame de sciage ou la chaîne touche un fil ou un câble « sous tension », les pièces métalliques non isolées de l'outil électrique peuvent elles aussi être « sous tension » et électrocuter l'utilisateur.
- 24.** Cet outil n'a pas été conçu pour fournir une protection contre une électrocution s'il vient en contact avec des lignes aériennes d'électricité. N'utilisez jamais cet outil électrique à proximité de lignes d'électricité. Tout contact de cet outil avec des lignes d'électricité ou toute utilisation à proximité de lignes d'électricité peut être à l'origine d'une électrocution ou de blessures graves, voire même fatales. Maintenez un dégagement minimal de 15 m entre l'outil et les lignes d'électricité.
- ⚠️ AVERTISSEMENT!** Avant d'inspecter, de nettoyer ou de réparer l'outil, retirez la batterie et attendez que toutes les pièces mobiles se soient arrêtées. Le non-respect de ces instructions pourrait entraîner de graves dommages matériels ou corporels.
- ⚠️ AVERTISSEMENT!** Ne pas utiliser l'outil sans lire les instructions de ce manuel.
- ⚠️ AVERTISSEMENT!** Ne pas utiliser l'outil près de personnes se trouvant dans son rayon d'action, à moins qu'elles portent des vêtements de protection.
- ⚠️ AVERTISSEMENT!** Ne pas utiliser l'outil électrique sans cordon dans un arbre, sur une échelle ou sur un échafaudage. L'utilisation de l'outil dans de telles conditions est extrêmement dangereuse.
- ⚠️ AVERTISSEMENT!** Ne pas laisser votre familiarité avec l'utilisation de ce type d'outil vous empêcher de prendre toutes les précautions nécessaires. Ne pas oublier qu'une fraction de seconde d'inattention suffit pour se blesser gravement.
- ⚠️ AVERTISSEMENT!** L'outil doit être complètement assemblé avant de pouvoir l'utiliser. Ne pas utiliser l'outil s'il n'est que partiellement assemblé ou assemblé avec des pièces endommagées.
- ⚠️ AVERTISSEMENT!** Le démarrage, l'arrêt et le redémarrage à répétition d'un moteur électrique et à quelques secondes d'intervalle peuvent dégager énormément de chaleur et endommager le moteur. Pour protéger la durée de vie de votre outil électrique sans cordon, attendez toujours au moins cinq secondes pour redémarrer l'outil après l'avoir arrêté.
- ⚠️ AVERTISSEMENT! Risque d'électrocution** – Avant de démarrer votre outil, veuillez l'inspecter soigneusement pour vérifier s'il présente d'éventuels défauts. En cas de constatation d'un défaut, ne pas démarrer l'outil et communiquer avec le revendeur.
- REMARQUE :** veillez à ne pas perdre les petites pièces qui sont retirées pendant l'assemblage ou quand vous faites des réglages. Placez-les dans un endroit précis pour éviter de les perdre.

Pour toutes les opérations d'entretien non prévues dans ce manuel, veuillez communiquer avec un revendeur Snow Joe® + Sun Joe® agréé ou appeler le service clientèle Snow Joe® + Sun Joe® au 1-866-SNOWJOE (1-866-766-9563). Toute intervention effectuée par un centre d'entretien et de réparation non agréé ou par du personnel non qualifié annulera complètement la garantie.

⚠️ AVERTISSEMENT! Pour votre sécurité et celle des autres :

- Il est essentiel d'entretenir correctement l'outil pour qu'il conserve son efficacité et sa sécurité d'origine au fil du temps.
- Maintenir serrés les écrous, les boulons et les vis pour s'assurer que le matériel est en bon état de marche et peut être utilisé sans danger.
- Ne jamais utiliser l'outil si des pièces sont usées ou endommagées. Les pièces endommagées doivent être remplacées et jamais réparées.

⚠️ AVERTISSEMENT! Toujours porter des gants de protection pendant l'entretien de l'outil.

⚠️ AVERTISSEMENT! Utiliser uniquement des pièces de rechange ou des accessoires du fabricant d'origine. Ne pas se conformer à cet avertissement peut entraîner des blessures et réduire le rendement de l'outil.

Pour commander des pièces de rechange ou des accessoires d'origine pour la scie à chaîne à manche télescopique sans cordon Sun Joe® iON+, veuillez vous rendre sur le site www.sunjoe.com ou communiquer avec le service clientèle Snow Joe® + Sun Joe® au 1-866-SNOWJOE (1-866-766-9563).

Nettoyage de l'outil

⚠️ AVERTISSEMENT! Ne jamais laisser pénétrer de liquide à l'intérieur du caisson moteur et ne **JAMAIS** plonger une partie quelconque du caisson dans un liquide.

1. Arrêtez le moteur et retirez la batterie.
2. Nettoyez la saleté et les débris sur la carcasse de l'outil en utilisant un chiffon humide et un détergent doux.

REMARQUE : n'utilisez pas de détergents forts sur la carcasse en plastique ou sur la poignée, car elles peuvent être endommagées par certaines huiles aromatiques comme celles du pin ou du citron et par des solvants comme le kérosène.

Remisage

⚠️ AVERTISSEMENT! Ne pas laisser de liquides de frein, d'essence, de produits à base de pétrole, d'huiles dégriffantes, etc., entrer en contact avec les pièces en plastique. Les produits chimiques peuvent endommager, affaiblir ou détruire le plastique, ce qui peut se traduire par de graves blessures.

1. Arrêtez le moteur et retirez la batterie.
2. Avant de la remisage, nettoyez soigneusement la scie à chaîne à manche télescopique.
3. Avant de remisage ou de transporter la scie à chaîne à manche télescopique, insérez toujours le guide-chaîne dans sa coiffe protectrice. Veillez à ce que les dents affûtées de la lame et de la chaîne ne vous blessent pas.
4. Remisagez toujours la scie à chaîne à manche télescopique à l'intérieur, dans un endroit sec auquel les enfants n'ont pas accès. Maintenez à l'écart les agents corrosifs, par exemple les produits chimiques de jardin et les sels de déglaceage.
5. Afin de le protéger contre la poussière, nous recommandons d'utiliser l'emballage d'origine pour remisage l'outil ou de le recouvrir d'une couverture en tissu appropriée ou encore de l'enfermer.

Avertissements de sécurité spécifiques aux scies à chaîne à manche télescopique

1. Seul l'utilisateur de la scie à chaîne à manche télescopique doit être dans la zone de travail.
2. N'utilisez pas la scie à chaîne à manche télescopique pour abattre des arbres.
3. Les deux mains sont toujours nécessaires pour utiliser la scie à chaîne à manche télescopique. Saisissez fermement la scie à chaîne à manche télescopique, une main sur la gâchette et l'autre sur le manche.
4. Avant de démarrer la scie à chaîne à manche télescopique, assurez-vous que rien n'est à son contact.
5. Ne laissez pas la scie à chaîne à manche télescopique venir en contact avec ce qui est mis à la terre, par exemple les tuyaux, les clôtures ou les poteaux métalliques.
6. Ne forcez pas sur la scie à chaîne à manche télescopique pendant que vous sciez. Appliquez une légère pression. Elle exécutera le travail efficacement et sans danger si elle est utilisée au régime pour lequel elle a été conçue.
7. Quand vous sciez une branche qui est sous tension, faites preuve d'une extrême prudence. Quand la tension d'une branche se libère, elle peut se rabattre brutalement et frapper l'utilisateur en causant des blessures graves, voire même fatales.

8. Pendant son transport, tenez le manche au niveau de son point d'équilibre, le guide-chaîne et la chaîne tournés vers l'arrière.
9. N'utilisez pas la scie à chaîne à manche télescopique pour tailler de petits buissons ou des arbustes. Les petites branches peuvent s'attraper dans la chaîne et frapper en coup de fouet l'utilisateur, ce qui pourrait le déséquilibrer.
10. Ne vous tenez jamais debout directement sous la branche que vous élaguez. Positionnez-vous toujours à l'écart des endroits où les débris retombent.
11. Quand vous sciez, maintenez une pression ferme et régulière sur la scie à chaîne à manche télescopique. N'essayez pas de scier des branches dont le diamètre est supérieur à la longueur du guide-chaîne.
12. Maintenez les autres personnes et les animaux familiers à l'écart de l'embout coupant du guide-chaîne de la scie à chaîne à manche télescopique et à bonne distance de la zone de travail.

Effet de rebond

⚠️ AVERTISSEMENT! Un effet de rebond peut se produire lorsque le pignon de renvoi ou l'embout du guide-chaîne touche quelque chose ou quand le bois se rapproche trop près de la chaîne de la scie et la pince dans l'entaille en la retenant.

ÉVITER QUE L'EMBOU DU GUIDE-CHAÎNE ENTRE EN CONTACT AVEC QUOI QUE CE SOIT. Dans certains cas, quand l'embout entre en contact avec quelque chose, il peut se produire une brusque réaction inverse faisant rebondir le guide-chaîne vers le haut et vers l'arrière en direction de l'utilisateur. Le pincement de la chaîne de la scie le long de la partie supérieure du guide-chaîne peut également le pousser et le faire reculer rapidement en direction de l'utilisateur. L'une ou l'autre de ces réactions peut vous faire perdre le contrôle de la scie à chaîne à manche télescopique et vous blesser gravement.

- Parmi les dispositifs de protection contre les rebonds équipant cette scie à chaîne à manche télescopique figurent une chaîne à maillons anti-rebond et un guide-chaîne à faible rebond. Ces dispositifs réduiront les effets de rebond, sans toutefois les supprimer entièrement. Pour empêcher les effets de rebond, prenez les précautions nécessaires indiquées dans ce manuel d'utilisation.
- Tenez toujours des deux mains la scie à chaîne à manche télescopique quand vous l'utilisez, une main pressant la gâchette et l'autre main saisissant le manche. Tenez fermement l'outil. Les deux pouces et les doigts doivent s'enrouler autour de la gâchette et du manche.
- Maintenez en place tous les dispositifs de protection sur la scie à chaîne à manche télescopique. Assurez-vous qu'ils sont en bon ordre de marche.
- Ne vous arc-boutez pas et ne déployez pas les bras plus haut que l'épaule.
- Restez en permanence sur vos deux pieds pour ne pas perdre l'équilibre.

- N'essayez jamais de scier deux branches à la fois. Sciez une seule branche à la fois.
- N'enterrez pas le nez du guide-chaîne ou n'essayez pas de scier en enfonçant le nez du guide-chaîne dans le bois.
- Surveillez les mouvements du bois ou d'autres forces pouvant pincer la chaîne.
- Faites preuve d'extrême prudence quand vous entrez à nouveau dans une ancienne entaille.
- Utilisez la chaîne et le guide-chaîne à faible rebond fournis avec cette scie à chaîne à manche télescopique. Utilisez uniquement les pièces de rechange d'origine Snow Joe® + Sun Joe® conçues spécialement pour être utilisées avec cette scie à chaîne à manche télescopique.
- N'utilisez jamais une chaîne émoussée ou lâche. Maintenez la chaîne affûtée et correctement tendue.

Consignes de sécurité concernant la batterie et le chargeur

Nous avons consacré beaucoup de temps à la conception de chaque bloc-piles afin de nous assurer de vous fournir des batteries qui peuvent être utilisées sans danger, sont robustes et ont une énergie volumique élevée. Les cellules de la batterie sont dotées d'un large éventail de dispositifs de sécurité. Chaque cellule individuelle est initialement formatée et ses courbes électriques caractéristiques sont enregistrées. Ces données sont ensuite utilisées exclusivement pour pouvoir assembler les meilleurs blocs-piles possible.

Malgré toutes ces mesures de précaution, il faut toujours faire preuve de prudence lors de la manipulation de batteries. Pour utiliser sans danger les batteries, les points suivants doivent être observés en permanence. L'utilisation sans danger peut uniquement être garantie si les cellules sont intactes. Toute manipulation inappropriée d'un bloc-piles peut endommager les cellules.

IMPORTANT! Les analyses confirment que la mauvaise utilisation de batteries à haut rendement et un entretien laissant à désirer sont les principaux facteurs responsables de dommages corporels et/ou matériels.

⚠️ AVERTISSEMENT! Utiliser uniquement des batteries de rechange homologuées. D'autres types de batteries peuvent endommager l'outil électrique et empêcher son bon fonctionnement, ce qui peut entraîner de graves dommages corporels.

⚠️ AVERTISSEMENT! Ne pas utiliser un outil ou un bloc-piles endommagé ou modifié. Les batteries endommagées ou modifiées peuvent se comporter de manière imprévisible et provoquer un incendie ou une explosion ou présenter un risque de blessure.

Ne modifiez pas l'outil ou le bloc-piles ou n'essayez pas de les réparer, sauf précisions contraires concernant leur utilisation ou leur entretien.

Faites réparer ou entretenir votre bloc-piles par un réparateur qualifié utilisant uniquement des pièces de rechange identiques. C'est à ce prix que la sécurité du bloc-piles sera préservée.

⚠ MISE EN GARDE! Para reducir el riesgo de lesiones, cargue la batería de iones de litio iON+ de 24 V solo con su cargador de baterías de iones de litio designado, el iON+ de 24 V. Otros tipos de cargadores presentan riesgos de incendio, lesiones personales y daños. No conecte una batería a un tomacorriente doméstico ni encendedor de cigarrillos en su vehículo. Dicho uso indebido dañará o deshabilitará permanentemente la batería.

- **Éviter les endroits dangereux** – Ne chargez pas le bloc-piles sous la pluie, sous la neige ou dans les endroits humides. N'utilisez pas le bloc-piles ou le chargeur quand l'atmosphère est explosive (effluents gazeux, poussière ou matières inflammables), des étincelles pouvant se produire lors de l'insertion ou la dépose du bloc-piles, ce qui pourrait provoquer un incendie.
- **Charger dans un endroit bien ventilé** – N'obstruez pas les fentes d'aération du chargeur. Dégagez le voisinage immédiat du chargeur pour qu'il soit bien ventilé. Interdisez de fumer et n'autorisez la présence d'aucune flamme nue à proximité d'un bloc-piles se chargeant. Le gaz dispersé dans l'atmosphère peut exploser.

REMARQUE : la plage de sécurité de températures pour la batterie se situe entre 5 °C et 40,5 °C. Ne chargez pas la batterie à l'extérieur quand il gèle, chargez-la à température ambiante.

- **Prendre soin du cordon du chargeur** – Lorsque vous débranchez le chargeur, afin d'éviter d'endommager la fiche électrique et le cordon, tirez sur la fiche dans la prise et non sur le cordon. Ne tirez jamais le chargeur par le cordon et ne tirez pas brusquement sur le cordon pour le retirer de la prise. Maintenez le cordon éloigné de la chaleur, de l'huile et des arêtes tranchantes. Pendant l'utilisation du chargeur, assurez-vous que personne ne marche sur le cordon, ne trébuche dessus et qu'il ne peut être ni endommagé ni soumis à des tensions ou des pressions. N'utilisez pas le chargeur si sa fiche ou son cordon est endommagé. Remplacez immédiatement tout chargeur endommagé.
- **Ne pas utiliser de rallonge électrique, sauf nécessité absolue** – L'utilisation d'une rallonge électrique mal adaptée, endommagée ou mal branchée présente des risques d'incendie et d'électrocution. S'il s'avère nécessaire d'utiliser une rallonge électrique, branchez le chargeur dans une rallonge électrique de calibre 16 ou plus gros, la fiche femelle correspondant à la fiche mâle sur le chargeur. Vérifiez que la rallonge électrique est en bon état.

- **Le chargeur 24VCHRG-AC est prévu uniquement pour 100 - 240 VCA** – Il doit être branché dans une prise appropriée.
- **Utiliser uniquement les accessoires recommandés** – L'utilisation d'un accessoire non recommandé ou vendu par le fabricant du chargeur de batterie ou du bloc-piles présente des risques d'incendie, d'électrocution ou de blessures.
- **Débrancher le chargeur quand il n'est pas utilisé** – Assurez-vous de retirer le bloc-piles lorsque le chargeur est débranché.

⚠ AVERTISSEMENT! Pour réduire le risque d'électrocution, toujours débrancher le chargeur avant d'effectuer un nettoyage ou un entretien. Ne pas laisser d'eau couler dans le chargeur. Pour réduire le risque d'électrocution, utiliser un disjoncteur différentiel de fuite de terre (DDFT).

- **Ne pas brûler ou incinérer les blocs-piles** – Les blocs-piles peuvent exploser et entraîner des dommages corporels ou matériels. Des vapeurs et des particules toxiques se dégagent des blocs-piles qui brûlent.
- **Ne pas écraser, faire tomber ou endommager les blocs-piles** – N'utilisez pas le bloc-piles ou le chargeur s'il a reçu un coup brutal, s'il est tombé, s'il a été écrasé ou endommagé d'une façon ou d'une autre (c.-à-d., percé par un clou, frappé d'un coup de marteau, foulé au pied, etc.).
- **Ne pas démonter** – Un remontage mal effectué peut poser un risque important d'électrocution, d'incendie ou d'exposition aux produits chimiques toxiques de la batterie. Si la batterie ou le chargeur est endommagé, veuillez communiquer avec un revendeur Snow Joe® + Sun Joe® agréé ou appeler le service clientèle Snow Joe® + Sun Joe® au 1-866-SNOWJOE (1-866-766-9563) pour de l'aide.
- **Les produits chimiques de la batterie peuvent occasionner de graves brûlures** – Ne laissez jamais un bloc-piles endommagé entrer en contact avec la peau, les yeux ou la bouche. Si un bloc-piles endommagé laisse fuir des produits chimiques, utilisez des gants en caoutchouc ou en néoprène pour les éliminer sans danger. Si la peau est entrée en contact avec des fluides de batterie, lavez la zone affectée à l'eau et au savon et rincez au vinaigre. Si les yeux sont entrés en contact avec des produits chimiques de batterie, rincez immédiatement à grande eau pendant 20 minutes et consultez un médecin. Retirez les vêtements contaminés et jetez-les.
- **Ne pas provoquer de court-circuit** – Lorsque vous n'utilisez pas le bloc-piles, rangez-le à l'écart d'autres objets métalliques, par exemple de trombones, de pièces de monnaie, de clés, de clous, de vis ou d'autres petits objets métalliques qui peuvent établir un contact entre les deux bornes. Le court-circuit des bornes d'une batterie peut être à l'origine de brûlures ou d'un incendie.
- **Ranger le bloc-piles et son chargeur dans un endroit frais et sec** – Ne rangez pas le bloc-piles ou le chargeur quand la température peut être supérieure à 40,5 °C, par exemple directement sous les rayons du soleil, à l'intérieur d'un véhicule ou dans un cabanon en métal pendant l'été.

Renseignements sur la batterie

1. Le bloc-piles fourni avec votre outil électrique sans cordon n'est que partiellement chargé. Le bloc-piles doit être complètement chargé avant d'utiliser l'outil pour la première fois.
2. Pour que la batterie fonctionne de manière optimale, évitez d'attendre que le bloc-piles soit presque déchargé et chargez-le fréquemment.
3. Rangez le bloc-piles dans un endroit frais, idéalement à 25 °C et chargez au moins à 40 %.
4. Les batteries au lithium-ion s'usent naturellement avec le temps. Le bloc-piles doit être remplacé au plus tard quand sa capacité chute à 80 % de sa capacité d'origine, neuf. Les cellules affaiblies dans un bloc-batterie usé ne peuvent plus produire la forte intensité exigée pour que la scie à chaîne à manche télescopique sans cordon fonctionne normalement, ce qui présente un risque pour la sécurité.
5. Ne jetez pas les blocs-piles dans un feu nu, ils pourraient exploser.
6. Ne mettez pas le feu aux blocs-piles et ne les exposez pas à une flamme.
7. Ne déchargez pas les batteries jusqu'à leur épuisement. Toute décharge jusqu'à épuisement de la batterie endommagera ses cellules. Le rangement prolongé et la non-utilisation de batteries partiellement déchargées sont les causes les plus communes de décharge de batterie jusqu'à épuisement. Arrêtez votre travail dès que vous remarquez que la puissance de la batterie chute ou dès que le système de protection électronique se déclenche. Rangez le bloc-piles uniquement s'il est à charge complète.
8. Protégez les batteries et l'outil contre les surcharges. Les surcharges donneront rapidement lieu à une surchauffe et endommageront les cellules à l'intérieur du compartiment de batterie, même si cette surchauffe n'est pas visible de l'extérieur.
9. Évitez d'endommager la batterie et de la soumettre à des chocs. Remplacez immédiatement les batteries qui sont tombées d'une hauteur supérieure à 1 m ou celles qui ont été soumises à des chocs violents, même si le boîtier du bloc-piles ne semble pas endommagé. Les cellules à l'intérieur de la batterie peuvent avoir été gravement endommagées. Dans ce cas, veuillez lire les renseignements sur l'élimination des déchets en ce qui concerne les batteries.
10. Si un bloc-piles souffre d'une surcharge ou d'une surchauffe, le coupe-circuit de protection intégré coupe le moteur de l'outil pour des raisons de sécurité.
IMPORTANT! N'appuyez plus sur la gâchette marche-arrêt si le coupe-circuit de protection a été activé. Ceci pourrait endommager le bloc-piles.
11. Rechargez uniquement à l'aide du chargeur spécifié par le fabricant. Un chargeur qui est adapté pour un type de blocs-piles peut présenter un risque d'incendie quand il est utilisé avec un autre type de blocs-piles.
12. Utilisez les outils ou machines électriques uniquement avec les blocs-piles spécifiquement indiqués. L'utilisation de tout autre bloc-piles peut présenter un risque de blessure et d'incendie.
13. Si le bloc-piles n'est pas adapté, du liquide peut s'en échapper; évitez tout contact. En cas de contact accidentel, rincez abondamment à l'eau. En cas de contact du liquide avec les yeux, consultez un médecin. Le liquide qui s'échappe de la batterie peut causer une irritation ou des brûlures.
14. N'utilisez pas un bloc-piles, une machine ou un outil endommagé ou modifié. Les batteries endommagées ou modifiées peuvent se comporter de manière imprévisible et provoquer un incendie ou une explosion ou présenter un risque de blessure.
15. N'exposez ni bloc-piles ni outil ou machine au feu ou à une température excessive. Une exposition à un feu ou à une température supérieure à 130 °C peut déclencher une explosion.
16. Suivez toutes les instructions de charge du bloc-piles, de l'outil ou de la machine en veillant à ne jamais procéder à cette opération à une température en dehors de la plage spécifiée dans ces instructions. Charger une batterie de façon inappropriée ou à une température en dehors de la plage spécifiée peut l'endommager et augmenter le risque d'incendie.

Renseignements sur le chargeur et le processus de charge

1. Veuillez vérifier les données marquées sur la plaque signalétique du chargeur de batterie. Veillez à brancher le chargeur de batterie sur une source d'alimentation correspondant à la tension indiquée sur la plaque signalétique. Ne le branchez jamais sur une tension de secteur différente.
2. Protégez le chargeur de batterie et son cordon pour éviter de les endommager. Maintenez le chargeur et son cordon éloignés de la chaleur, de l'huile et des arêtes tranchantes. Faites réparer sans délai les cordons endommagés par un technicien qualifié chez un revendeur Snow Joe® + Sun Joe® agréé ou appelez le service à la clientèle Snow Joe® + Sun Joe® au 1-866-SNOWJOE (1-866-766-9563).
3. Les fiches électriques doivent correspondre à la prise. N'apportez aucune modification, quelle qu'elle soit, à la fiche. N'utilisez pas de fiche d'adaptation avec les outils ou machines mis à la terre. Des fiches non modifiées et des prises correspondantes réduiront le risque d'électrocution.
4. Maintenez hors de portée des enfants le chargeur de batterie, le ou les blocs-piles et l'outil ou la machine sans cordon.
5. N'utilisez pas le chargeur de batterie qui est fourni pour charger d'autres outils ou machines sans cordon.







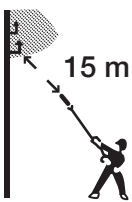



6. Le bloc-piles devient chaud après une utilisation prolongée. Laissez le bloc-piles se refroidir à la température ambiante avant de l'insérer dans le chargeur pour le recharger.
7. Ne chargez pas trop la batterie. Ne dépassez pas le temps maximal de charge. Ces temps de charge ne s'appliquent qu'aux batteries déchargées. L'insertion fréquente d'un bloc-piles chargé ou partiellement chargé provoquera une surcharge et endommagera les cellules. Ne laissez pas la batterie dans le chargeur pendant plusieurs jours consécutifs.
8. N'utilisez ou ne chargez jamais une batterie si vous soupçonnez qu'il y a plus de 12 mois qu'elle a été chargée pour la dernière fois. Il est extrêmement probable que le bloc-piles soit déjà dangereusement endommagé (décharge jusqu'à épuisement complet).
9. Si vous chargez une batterie à une température inférieure à 5 °C, vous endommagez les produits chimiques des cellules, ce qui peut provoquer un incendie.
10. N'utilisez pas les batteries qui ont été exposées à la chaleur pendant leur charge, car les cellules de batterie peuvent avoir été dangereusement endommagées.
11. N'utilisez pas les batteries qui se sont bombées ou ont subi des déformations pendant le processus de charge, ni celles présentant d'autres symptômes atypiques (échappement de gaz, sifflement, fissures, etc.).
12. Ne déchargez jamais complètement un bloc-piles (le niveau maximal de décharge est de 80 %). La décharge totale du bloc-piles entraînera le vieillissement prématuré des cellules de la batterie.
7. Rangez le chargeur et votre outil sans cordon uniquement dans un endroit sec où la température ambiante est comprise entre 5 °C et 40,5 °C. Rangez votre bloc-piles au lithium-ion dans un endroit frais et sec à une température de 25 °C. Protégez le bloc-piles, le chargeur et l'outil sans cordon contre l'humidité et les rayons du soleil. Rangez uniquement les batteries à charge complète (chargées au minimum à 40 %).
8. Empêchez le bloc-piles au lithium-ion de geler. Les blocs-piles qui ont été stockés à des températures inférieures à 0 °C pendant plus de 60 minutes doivent être éliminés.
9. Quand vous manipulez une batterie, prenez garde aux décharges électrostatiques, elles peuvent endommager le système de protection électronique et les cellules de batterie. Évitez de produire des charges électrostatiques et ne touchez jamais les pôles de batterie.

Protection contre les influences environnementales

1. Portez des vêtements de travail adaptés. Portez des lunettes de sécurité.
2. Protégez votre outil sans cordon et le chargeur de batterie contre l'humidité et la pluie. L'humidité et la pluie peuvent endommager dangereusement les cellules.
3. N'utilisez pas l'outil sans cordon ou le chargeur de batterie près de vapeurs ou de liquides inflammables.
4. Utilisez le chargeur de batterie et les outils ou machines sans cordon uniquement en milieu sec et à une température ambiante comprise entre 5 °C et 40,5 °C.
5. Ne conservez pas le chargeur de batterie dans les endroits où la température est susceptible d'être supérieure à 40,5 °C. Ne laissez surtout pas le chargeur de batterie dans une voiture qui stationne au soleil.
6. Protégez les batteries contre les surcharges. Les surcharges et l'exposition directe aux rayons du soleil entraînent une surchauffe des cellules et les endommagent. Ne chargez ou n'utilisez jamais de batteries qui ont surchauffé : au besoin, remplacez-les immédiatement.

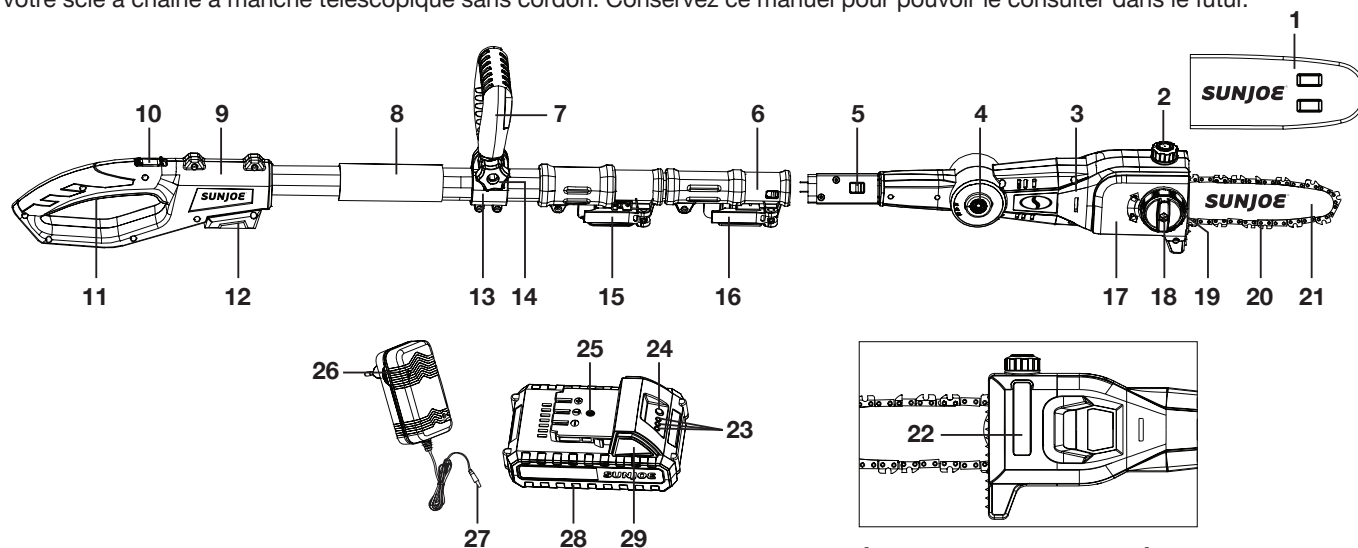
Symboles de sécurité

Le tableau suivant décrit et explique les symboles de sécurité pouvant être marqués sur cet outil. Avant d'essayer de procéder à son assemblage et de l'utiliser, lisez, comprenez et suivez toutes les instructions sur cet outil.

Symboles	Descriptions	Symboles	Descriptions
	LIRE LE OU LES MANUELS D'UTILISATION – Lire, comprendre et suivre toutes les instructions du ou des manuels avant d'essayer d'assembler et d'utiliser l'outil.		ALERTE DE SÉCURITÉ – Indique une précaution, un avertissement ou un danger.
	AVERTISSEMENT! Ne pas utiliser l'outil sous la pluie où par forte humidité. Garder l'outil au sec.		PORT OBLIGATOIRE DE LUNETTES DE SÉCURITÉ ET DE SERRE-TÊTE ANTIBRUIT – Pour éviter de se blesser, porter des protecteurs d'oreilles et des lunettes de sécurité.
	Porter des gants de protection et des chaussures antidérapantes pour utiliser l'outil et manipuler les débris.		Utilisation uniquement à l'intérieur. Utiliser uniquement le chargeur de batterie à l'intérieur.
	AVERTISSEMENT! DANGER D'ÉLECTROCUTION – Maintenir une distance d'au moins 15 m avec les lignes d'électricité. Ne pas s'arc-bouter. Rester en permanence sur les deux pieds pour ne pas perdre l'équilibre.		DANGER! LAMES ROTATIVES – Tenir les mains et les pieds éloignés des ouvertures quand la scie est en marche.
	La projection d'objets et la lame rotative peuvent provoquer de graves blessures.		Maintenir les spectateurs à une distance minimale de 15 m de la zone de travail.

Apprenez à mieux connaître votre scie à chaîne à manche télescopique sans cordon

Lisez attentivement le manuel d'utilisation et les consignes de sécurité avant d'utiliser la scie à chaîne à manche télescopique sans cordon. Pour vous familiariser avec l'emplacement des différents réglages et commandes, comparez l'illustration ci-dessous avec votre scie à chaîne à manche télescopique sans cordon. Conservez ce manuel pour pouvoir le consulter dans le futur.



Arrière de la tête porte-scie à chaîne

- | | | |
|--|---|--|
| 1. Coiffe protectrice de guide-chaîne | 12. Compartiment à batterie | 21. Guide-chaîne 20,3 cm |
| 2. Bouchon de réservoir d'huile | 13. Demi-attache de poignée auxiliaire | 22. Hublot indicateur de niveau d'huile |
| 3. Tête porte-scie à chaîne | 14. Bouton de verrouillage de poignée auxiliaire | 23. Témoins de charge de batterie |
| 4. Cadran de réglage de tête multiangles | 15. Dispositif de verrouillage du manche télescopique | 24. Bouton-poussoir pour témoin de charge de batterie |
| 5. Ergot de verrouillage | 16. Verrou d'assemblage | 25. Prise pour le chargeur |
| 6. Manche télescopique | 17. Coiffe arrière de chaîne/pignon | 26. Chargeur de batterie au lithium-ion iON+ 24 V (24VCHRG-AC) |
| 7. Poignée auxiliaire | 18. Bouton de coiffe arrière de chaîne/pignon | 27. Fiche de chargeur |
| 8. Poignée rembourrée | 19. Bague de tendeur de chaîne | 28. Batterie au lithium-ion iON+ 24 V (24VBAT-LTE) présentant la technologie exclusive EcoSharp® |
| 9. Poignée arrière | 20. Chaîne 20,3 cm | 29. Bouton-poussoir de verrouillage |
| 10. Bouton-poussoir de sécurité | | |
| 11. Gâchette | | |

Données techniques

Moteur	350 W	Longueur du guide-chaîne	20,3 cm
Tension de la batterie max.*	24 VCC	Épaisseur max. de sciage	19 cm
Capacité de la batterie	2,0 Ah		<i>Recommandée : 16,5 cm</i>
Autonomie max. de la batterie	coupe jusqu'à 32 morceaux de pin de 10 cm x 10 cm	Tête multiangles	De 0° à 30°
Entrée du chargeur	100 – 240 V AC, 50 – 60 Hz, 50 W	Manche télescopique	De 1,1 m à 2,2 m
Sortie du chargeur	25.2 VCC \equiv 1400 mA	Angles de la poignée auxiliaire	-45° 0° 45°
Temps max. de charge	1 h 20 min	Portée en hauteur	Jusqu'à 4,3 m
Régime à vide	2 800 tr/min	Capacité du réservoir d'huile	80 ml
		Poids net	3,5 kg

*Tension initiale à vide; grimpe à 24 volts une fois à charge complète; la tension nominale sous charge typique est de 21,6 volts.

Déballage

Contenu de la caisse

- Manche télescopique avec poignée auxiliaire
- Tête porte-scie à chaîne (chaîne et guide-chaîne déjà montés)
- Coiffe protectrice de guide-chaîne
- Batterie au lithium-ion iON+ 24 V
- Chargeur de batterie au lithium-ion iON+ 24 V
- Clé hexagonale
- Manuel et carte d'enregistrement

1. Retirez soigneusement la scie à chaîne à manche télescopique sans cordon de la caisse et inspectez-la pour vérifier que tous les éléments énumérés ci-dessus sont fournis.
2. Inspectez soigneusement le contenu pour vous assurer qu'aucun élément ne s'est cassé ou n'a été endommagé pendant le transport. Si vous constatez que des pièces manquent ou sont endommagées, NE PAS retourner la caisse au magasin. Veuillez appeler le service clientèle Snow Joe® + Sun Joe® au 1-866-SNOWJOE (1-866-766-9563).

REMARQUE : ne jetez pas la caisse d'expédition et l'emballage tant que vous n'êtes pas prêt à utiliser votre nouvelle scie à chaîne à manche télescopique sans cordon. L'emballage est fabriqué dans des matériaux recyclables. Éliminez ces matériaux de façon appropriée et conformément aux réglementations locales.

IMPORTANT! Le produit et son emballage ne sont pas des jouets. Ne laissez pas les enfants jouer avec les sacs en plastique, les feuilles métalliques ou les petites pièces. Ces éléments peuvent être avalés et risquent de provoquer une suffocation!






Utilisation du bloc-piles

L'outil est alimenté par une batterie au lithium-ion. Le bloc-piles est entièrement scellé et sans entretien.

Témoins de charge de batterie

Le bloc-piles est équipé d'un bouton-poussoir pour vérifier le niveau de charge. Appuyez simplement sur le bouton-poussoir pour lire le niveau de charge de la batterie à l'aide des témoins de charge :

- Les témoins de charge sont tous les trois allumés : le niveau de charge de batterie est élevé.
- Deux témoins indicateurs de niveau sont allumés : le niveau de charge de batterie diminue. Arrêtez votre travail dès que possible.
- Un témoin indicateur de niveau est allumé : la batterie est épuisée. Arrêtez IMMÉDIATEMENT votre travail et chargez la batterie. Sinon, la durée de vie de la batterie sera considérablement raccourcie.

	
Témoins	Indications de charge
	Bouton de niveau de charge
	La batterie est à 30 % de sa capacité et nécessite d'être chargée
	La batterie est à 60 % de sa capacité et nécessite d'être chargée bientôt
	La batterie est à charge complète

REMARQUE : si le bouton de niveau de charge ne semble pas fonctionner, insérez le chargeur et chargez au besoin.

REMARQUE : immédiatement après avoir utilisé le bloc-piles, le bouton de niveau de charge peut afficher une charge plus faible que si la vérification avait eu lieu quelques minutes plus tard. Les cellules de la batterie « récupèrent » une partie de leur charge après une période de repos.

Utilisation du chargeur

⚠️ AVERTISSEMENT! Charger uniquement les blocs-piles au lithium-ion iON+ 24 V dans les chargeurs au lithium-ion iON+ 24 V compatibles. Les autres types de batteries peuvent entraîner des dommages corporels et matériels.

Pour réduire le risque d'électrocution, ne laissez pas d'eau couler dans la fiche du chargeur CA/CC.

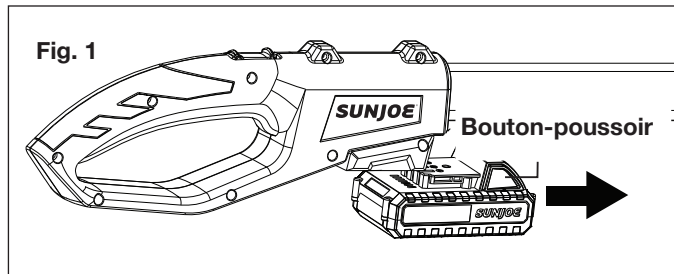
Quand charger la batterie au lithium-ion iON+ 24VBAT-LTE

REMARQUE : les blocs-piles au lithium-ion iON+ 24VBAT-LTE ne présentent pas « d'effet mémoire » quand ils sont chargés après une simple décharge partielle. C'est pourquoi il n'est pas nécessaire d'épuiser le bloc-piles avant d'insérer la fiche du chargeur.

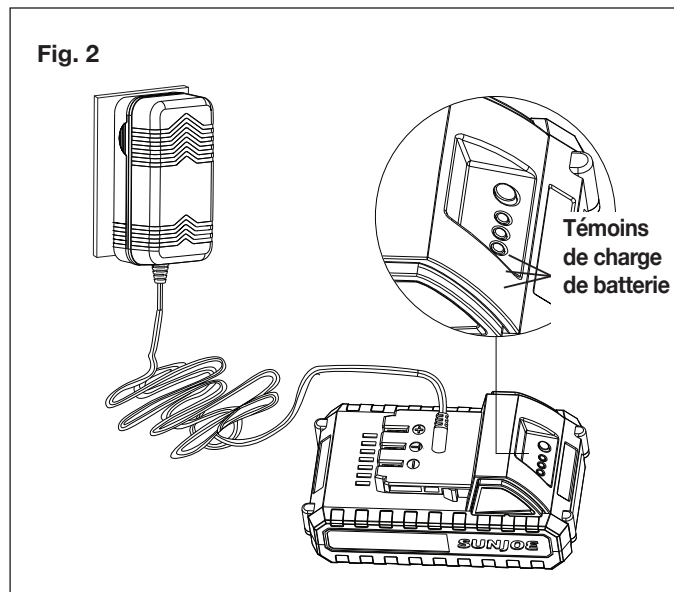
- Utilisez les témoins indicateurs de charge pour déterminer quand charger votre bloc-piles au lithium-ion iON+ 24VBAT-LTE.
- Vous pouvez « compléter » la charge du bloc-piles avant de démarrer un gros travail ou après une longue journée d'utilisation.

Comment charger la batterie

1. Pour retirer le bloc-piles de son compartiment, appuyez sur le bouton-poussoir de verrouillage sur la batterie (Fig. 1).



2. Vérifiez que la tension de secteur est la même que celle marquée sur la plaque signalétique du chargeur de batterie. Branchez ensuite l'adaptateur de chargeur dans une prise de secteur appropriée. Pour commencer à charger, branchez la fiche du chargeur dans la prise de charge de la batterie (Fig. 2).



3. Il faut environ 1 hr 20 minutes pour recharger la batterie. Les témoins de charge de batterie scintilleront et s'allumeront un par un pendant le processus de charge. Débranchez immédiatement le chargeur quand les trois témoins de charge sont allumés.

⚠ MISE EN GARDE! RISQUE D'INCENDIE. S'assurer de débrancher d'abord le chargeur de la prise, puis débrancher le chargeur de la batterie.

⚠ AVERTISSEMENT! Ce chargeur ne s'éteint pas automatiquement quand la batterie est à charge complète. Veiller à ne pas laisser la batterie branchée dans le chargeur. Éteindre le chargeur ou le débrancher du secteur une fois que la batterie est à charge complète.

4. Recharger la batterie au moment opportun prolongera la durée de vie de la batterie. Vous devez recharger le bloc-piles quand vous remarquez une chute de puissance de l'outil.

IMPORTANT! Ne laissez jamais le bloc-piles se décharger complètement, car ceci endommagerait irrémédiablement la batterie.

Assemblage

⚠ DANGER! Ne jamais démarrer le moteur avant de poser le guide-chaîne, la chaîne et la coiffe arrière de chaîne/pignon. Si ces pièces ne sont pas toutes en place, l'embrayage peut voler en éclats ou exploser et l'utilisateur peut se blesser gravement.

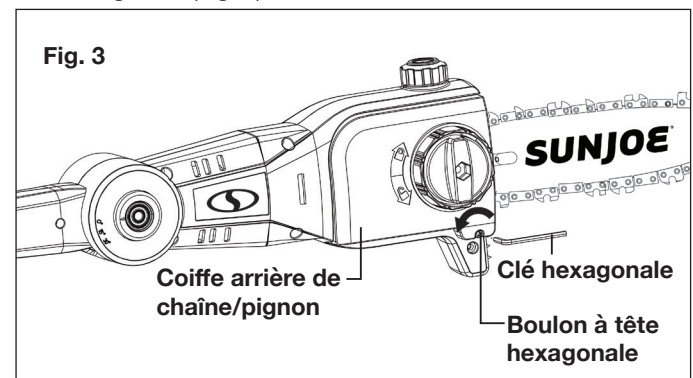
Pose et remplacement du guide-chaîne et de la chaînede sciage

Outils et fournitures nécessaires :

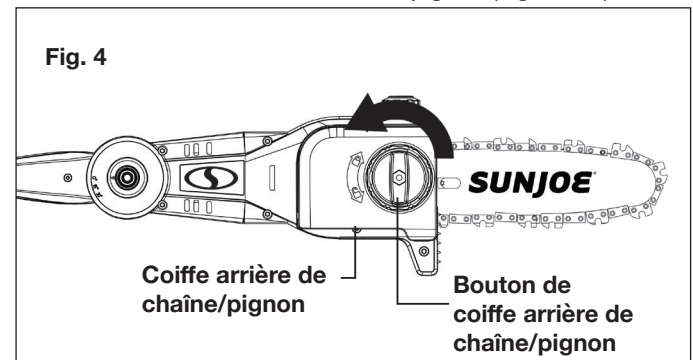
- Clé hexagonale (fournie)
- Gants de travail résistants

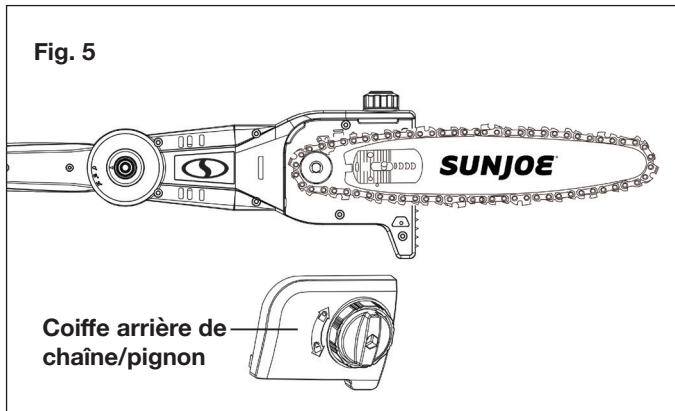
REMARQUE : pour le remplacement du guide-chaîne et de la chaîne, utilisez uniquement des pièces de rechange identiques. Avant de procéder à l'opération, assurez-vous que la scie à chaîne à manche télescopique est débranchée de la batterie.

1. Retirez le boulon à tête hexagonale en le dévissant dans le sens contraire des aiguilles d'une montre à l'aide de la clé hexagonale (Fig. 3).

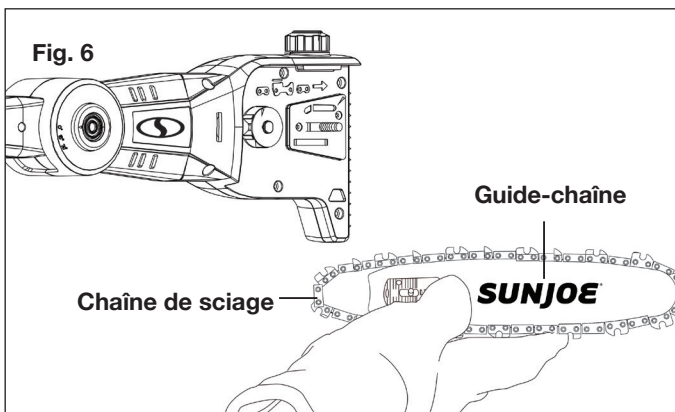


2. Dévissez le bouton de la coiffe arrière de chaîne/pignon dans le sens contraire des aiguilles d'une montre afin de libérer la coiffe arrière de chaîne/pignon (Fig. 4 et 5).

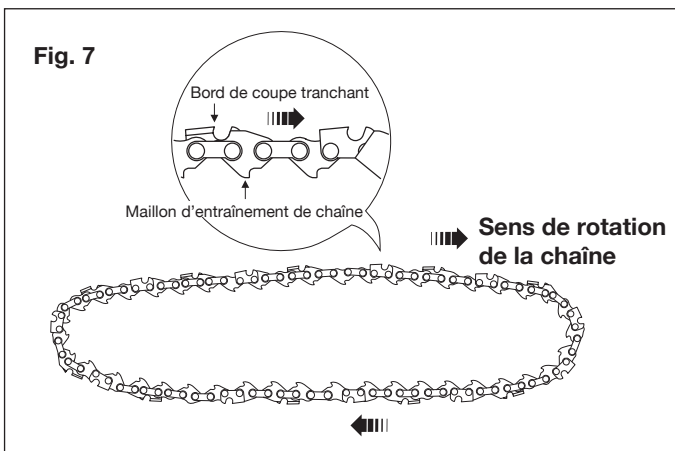




3. Retirez le guide-chaîne et la chaîne de la surface de fixation (Fig. 6).

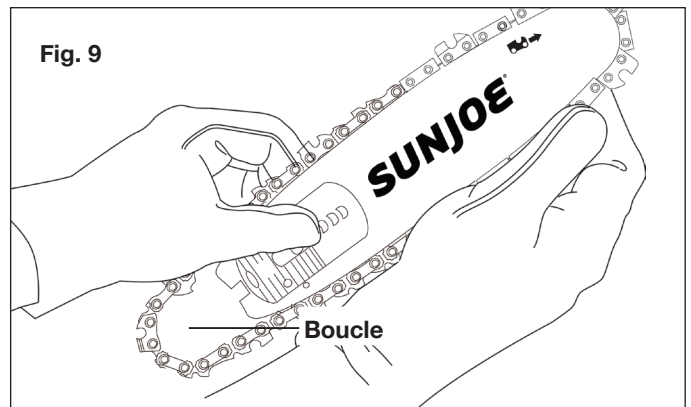
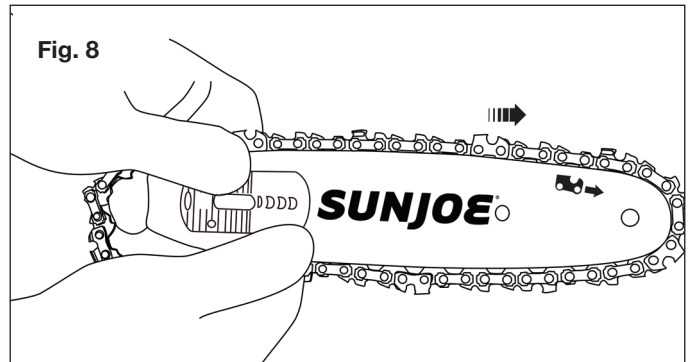


4. Retirez l'ancienne chaîne du guide.
5. Disposez la nouvelle chaîne de sciage de manière à ce qu'elle forme une boucle et en vous assurant qu'elle ne soit pas tordue. **LE CÔTÉ TRANCHANT DES DENTS NE DOIT PAS VOUS FAIRE FACE ET DOIT ÊTRE DANS LE SENS DE LA ROTATION DE LA CHAÎNE INDICÉ SUR LE GUIDE-CHAÎNE** → →. Si le côté tranchant vous fait face, retournez la boucle (Fig. 7).

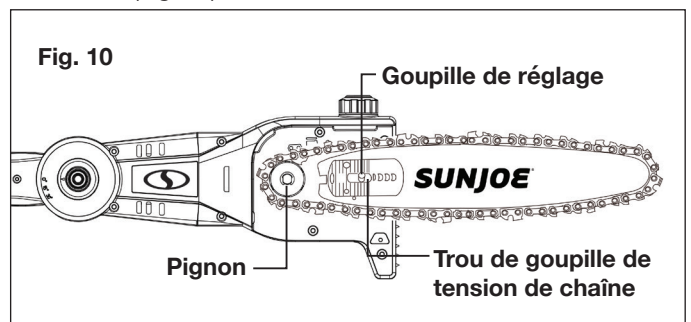


6. En commençant par l'extrémité, montez les maillons d'entraînement dans la rainure du guide-chaîne en formant une boucle à l'arrière de celui-ci. La chaîne s'ajustera en restant lâche jusqu'à ce qu'elle soit placée sur le pignon (Fig. 8 et 9).

REMARQUE : vérifiez bien le sens de la chaîne → →. Si la chaîne est montée à l'envers, la scie vibrera anormalement et ne sciera pas.



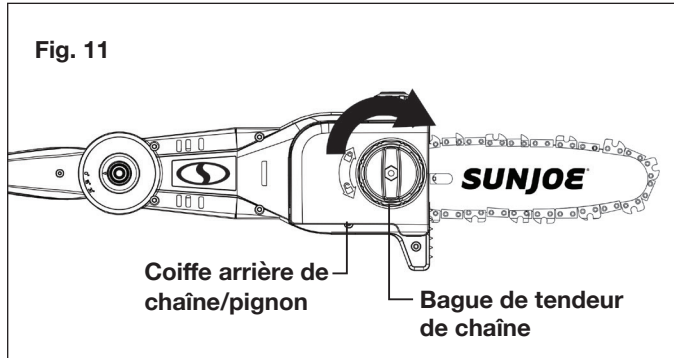
7. Maintenez la chaîne en position sur le guide-chaîne et enrroulez la boucle autour du pignon. Placez le guide-chaîne de manière à ce qu'il repose bien contre la surface de fixation, que les goujons du guide-chaîne soient dans la longue fente du guide-chaîne et que la goupille de réglage soit dans le trou de la goupille de tension de chaîne (Fig. 10).



8. Remplacez la coiffe arrière de chaîne/pignon en la positionnant sur la tête porte-scie. Serrez le bouton de coiffe arrière, mais laissez le guide-chaîne se déplacer librement pour le réglage de la tension. Posez le boulon à tête hexagonale en le vissant dans le sens des aiguilles d'une montre à l'aide de la clé hexagonale.

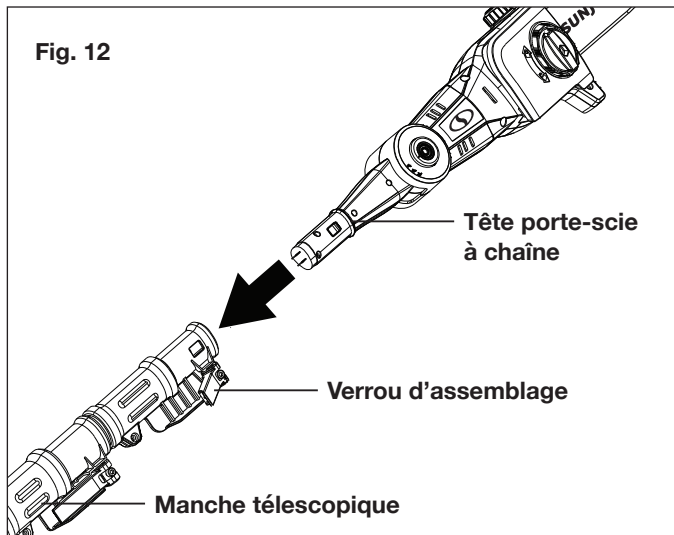
- Éliminez complètement le jeu de la chaîne en tournant la bague du tendeur de chaîne dans le sens des aiguilles d'une montre jusqu'à ce que la chaîne repose parfaitement contre le guide-chaîne, les maillons d'entraînement étant dans la rainure du guide-chaîne (Fig. 11).

REMARQUE : la chaîne est correctement tendue quand il n'y a pas de jeu sur la face inférieure du guide-chaîne, quand la chaîne repose bien sur le guide-chaîne, mais quand il est toujours possible de la faire tourner à la main sans qu'elle grippe. Pour plus de renseignements sur la tension de la chaîne, consultez la section Entretien commençant en page 64.

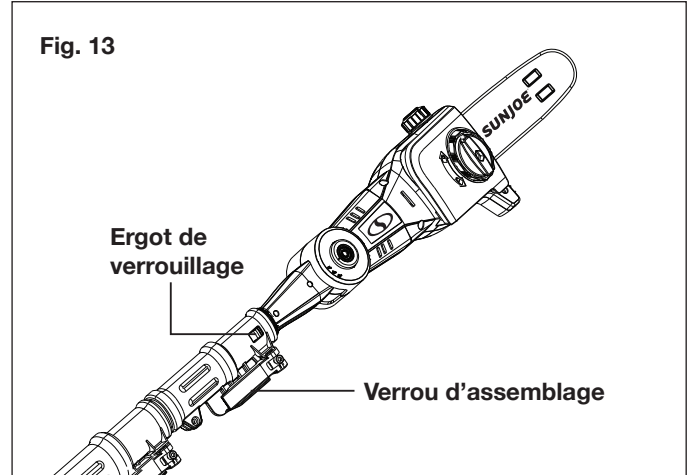


Raccordement du manche télescopique

- Ouvrez le verrou d'assemblage sur le manche télescopique et poussez la tête porte-scie à chaîne dans l'ouverture à l'extrémité du manche (Fig. 12).



- Quand les ergots de verrouillage s'encliquettent, poussez sur le verrou d'assemblage; la scie à chaîne à manche télescopique est prête à être utilisée (Fig. 13).

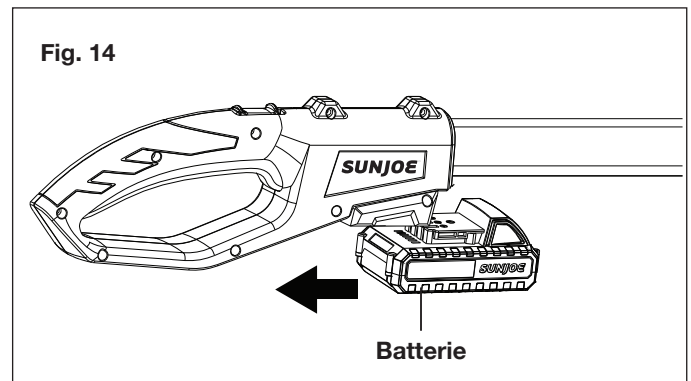


- Pour retirer la tête porte-scie à chaîne, relâchez la gâchette marche-arrêt et retirez la batterie. Ouvrez le verrou d'assemblage. Appuyez sur les ergots de verrouillage des deux côtés et tirez la tête porte-scie à chaîne pour la retirer (Fig. 13).

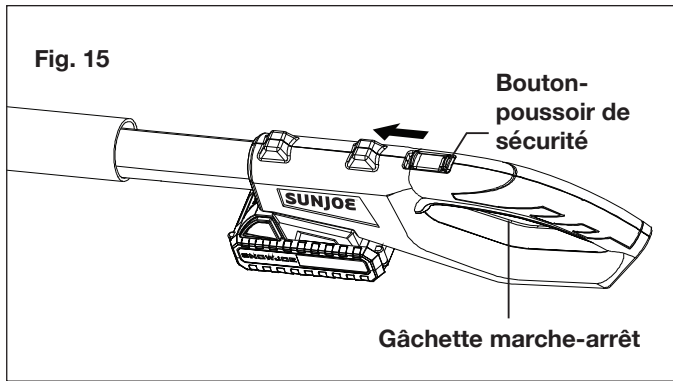
Utilisation

Démarrage et arrêt

- Faites glisser la batterie dans le compartiment à batterie jusqu'à ce qu'elle s'encliquette pour se verrouiller une fois en place (Fig. 14).



- Pour mettre en marche la scie à chaîne à manche télescopique, appuyez avec le pouce sur le bouton-poussoir de sécurité (situé sur la poignée) en le maintenant enfoncé et pressez ensuite la gâchette marche-arrêt en utilisant les autres doigts. Une fois que l'outil a démarré, vous pouvez relâcher le bouton-poussoir de sécurité (Fig. 15).



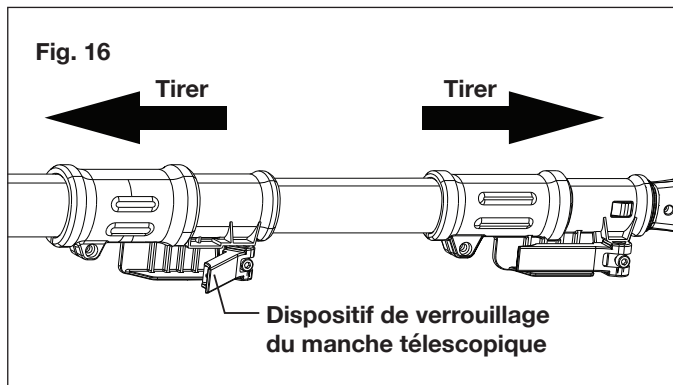
3. Pour arrêter l'outil, relâcher la gâchette marche-arrêt (Fig. 15).

Réglage du manche télescopique

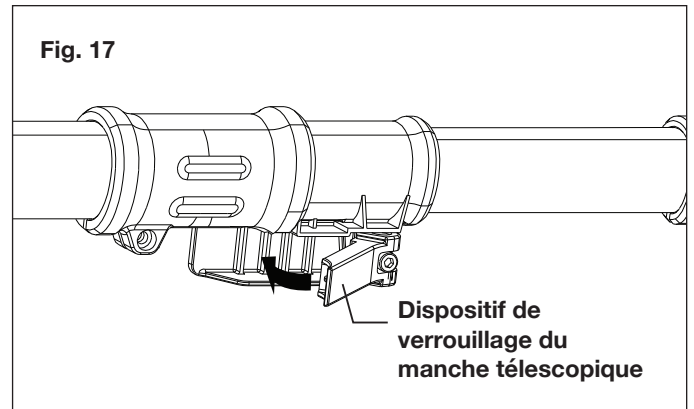
Cet outil est équipé d'un manche télescopique qui fournit une portée en hauteur de 4,3 m. Pour régler le manche télescopique, suivez les instructions ci-dessous.

1. Débranchez la scie de la source d'alimentation électrique en retirant la batterie de son compartiment.
2. Ouvrez le dispositif de verrouillage du manche télescopique afin de libérer le manche. Déployez le manche à la longueur voulue (Fig. 16).

REMARQUE : poussez les éléments du manche en les rapprochant l'un de l'autre pour raccourcir le manche, ou tirez-les en les éloignant l'un de l'autre pour rallonger le manche. Déployez uniquement le manche sur la longueur minimale nécessaire pour atteindre la branche à scier.



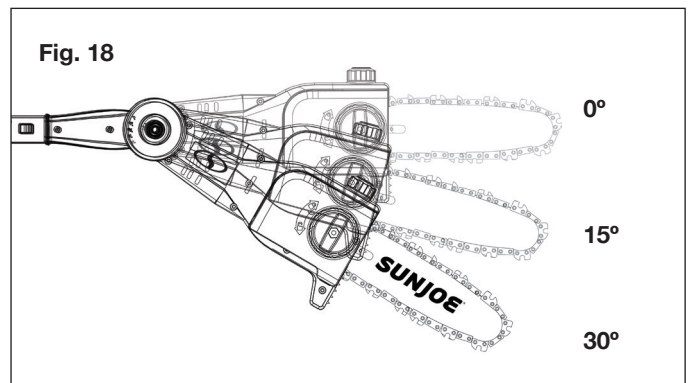
3. Verrouillez le manche à la longueur voulue en fermant le dispositif de verrouillage du manche télescopique (Fig. 17) et assurez-vous que le manche est bien attaché.



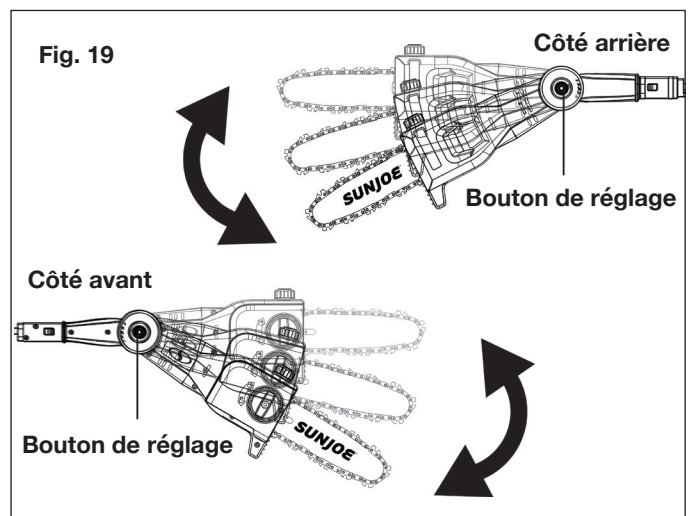
⚠ AVERTISSEMENT! Si le dispositif de verrouillage du manche télescopique n'est pas fermé comme il est indiqué, l'utilisateur peut se blesser.

Réglage de la tête multiangles

La tête porte-scie à chaîne à manche télescopique peut pivoter pour former différents angles de sciage, soit 0°, 15° et 30° (Fig. 18). Pour régler l'angle, suivez les instructions ci-dessous.



1. Faites pivoter la tête porte-scie à chaîne sur l'angle de sciage voulu tout en appuyant simultanément sur les boutons de réglage d'angle situés des deux côtés (Fig. 19).



2. Relâchez les boutons quand la tête porte-scie à chaîne est réglée à l'angle voulu.

REMARQUE : le fait de ne pas attacher correctement la tête porte-scie à chaîne peut être à l'origine de dommages corporels et/ou matériels.

⚠ AVERTISSEMENT! Toujours s'assurer que la tête porte-scie à chaîne est solidement attachée et verrouillée! Ne pas essayer d'utiliser la scie à chaîne à manche télescopique si la tête est dans toute autre position ou si elle n'est pas verrouillée!

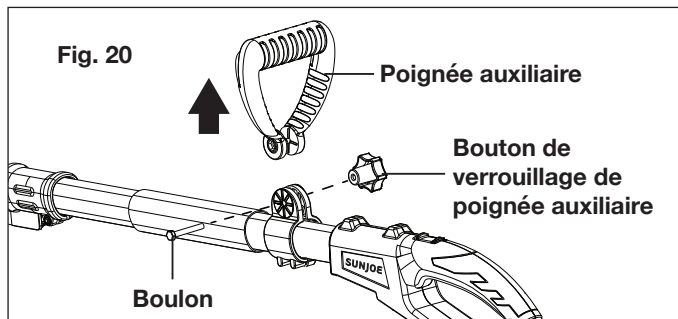
Réglage de la poignée auxiliaire

La scie à chaîne est équipée d'une poignée auxiliaire amovible qui peut se régler. Pour utiliser la poignée auxiliaire, suivez les instructions ci-dessous :

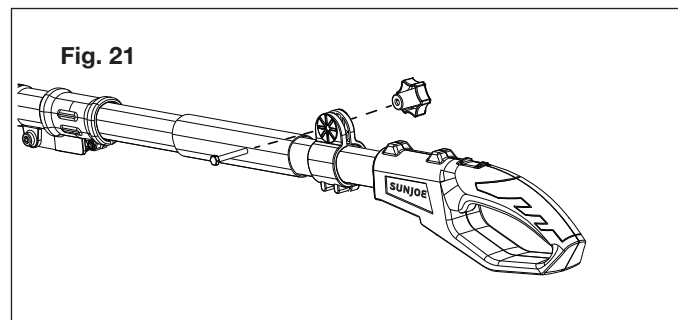
⚠ AVERTISSEMENT! S'assurer que le bouton, le boulon et les vis sont en place et serrés. Si l'un ou l'autre de ces éléments de fixation n'est pas serré comme il est indiqué, il y a risque de dommages corporels ou matériels.

Pour retirer la poignée auxiliaire

1. Débranchez la scie de la source d'alimentation électrique en retirant la batterie de son compartiment.
2. Dévissez et retirez le bouton de verrouillage de la poignée auxiliaire, retirez le boulon puis la poignée auxiliaire (Fig. 20).



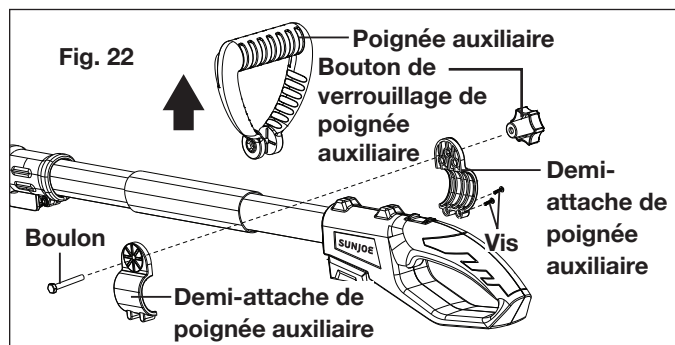
3. Réassemblez la poignée auxiliaire, le boulon et le bouton de verrouillage (Fig. 21).



Pour régler la position de la poignée auxiliaire

1. Débranchez la scie de la source d'alimentation électrique en retirant la batterie de son compartiment.

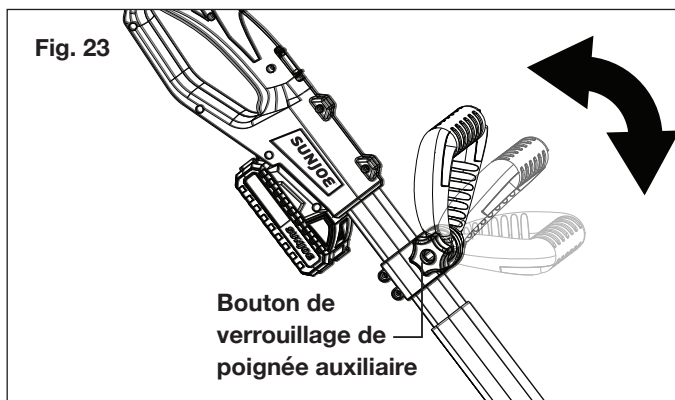
2. Retirez le bouton de la poignée auxiliaire, le boulon et la poignée auxiliaire. À l'aide d'un tournevis, retirez les deux vis qui sont utilisées pour serrer les deux demi-attaches de la poignée auxiliaire. Retirez les demi-attaches du manche (Fig. 22).



3. En utilisant les deux vis, réassemblez les demi-attaches de la poignée auxiliaire à l'endroit voulu sur le manche et replacez la poignée auxiliaire, le bouton de verrouillage de la poignée auxiliaire et le boulon (Fig. 22).

Pour régler l'angle de la poignée auxiliaire

1. Arrêtez la scie en relâchant la gâchette marche-arrêt.
2. La poignée auxiliaire peut se régler à -45° , 0° , 45° . Pour déverrouiller la poignée, dévissez le bouton de verrouillage de la poignée auxiliaire et inclinez la poignée à l'angle voulu (Fig. 23).



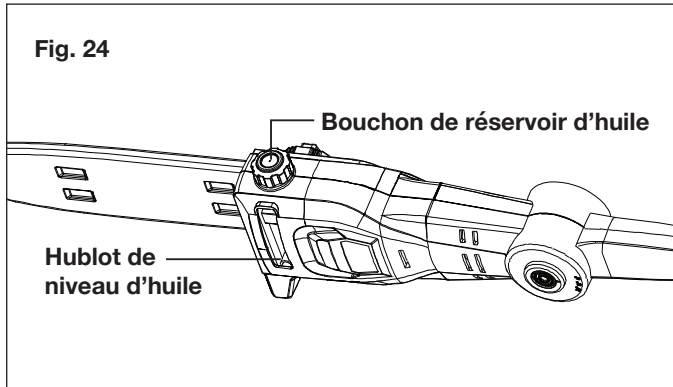
3. Pour verrouiller la poignée une fois qu'elle est dans la position voulue, revissez le bouton de verrouillage de la poignée.

Conseils d'utilisation pour la scie à chaîne à manche télescopique

⚠ MISE EN GARDE!

- Avant de démarrer la scie, retirer le bouchon du réservoir d'huile et ajouter de l'huile pour chaînes et guide-chaînes jusqu'en haut du hublot de niveau d'huile (Fig. 24). Une minute d'utilisation consommera environ 4 ml d'huile. Ajouter de l'huile quand le niveau d'huile est au quart (1/4) de la contenance du réservoir.

REMARQUE : la tête porte-scie à chaîne à manche télescopique est équipée d'une pompe à huile automatique pour la lubrification du guide et de la chaîne. Vous devez ajouter de l'huile pour chaîne et guide-chaîne, sinon votre scie à chaîne ne fonctionnera pas.



⚠️ AVERTISSEMENT! Lors du démarrage du moteur, s'assurer que rien n'est en contact avec la chaîne.

⚠️ AVERTISSEMENT! Tenir les mains éloignées de la chaîne. Maintenir les mains sur les poignées. Ne pas s'arc-bouter.

En saisissant fermement l'outil des deux mains, vous le contrôlerez mieux. Placez une main sur la partie rembourrée du manche télescopique et l'autre main sur la poignée, les deux pouces et les doigts enroulés autour du manche et de la poignée. Vous maintiendrez le contrôle de la scie en la saisissant fermement et en plaçant la poignée contre votre corps. Ne vous laissez pas entraîner par la scie lorsque vous l'utilisez.

⚠️ MISE EN GARDE! La chaîne continuera de tourner plusieurs secondes après avoir arrêté l'outil.

N'utilisez pas la scie à chaîne à manche télescopique par forte humidité. Faites preuve d'extrême précaution quand vous sciez des petits buissons, des arbustes ou des branches sous tension : la matière effilée et tendue peut se prendre dans la scie et se retourner sur vous en coup de fouet en vous faisant perdre l'équilibre ou sauter en arrière.

N'utilisez pas la scie à chaîne à manche télescopique pour tailler de la vigne et/ou de petits fourrés.

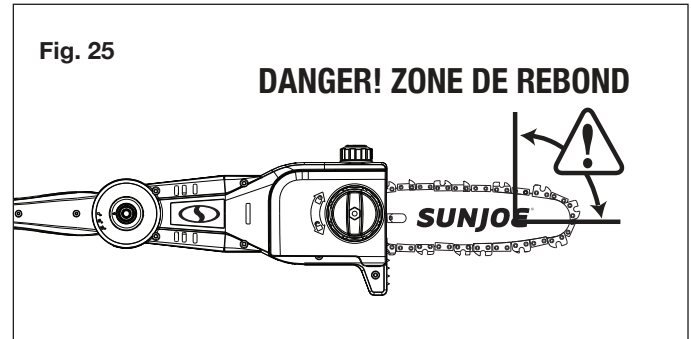
Avant chaque séance d'utilisation de la scie, pointez la liste de contrôle quotidienne (voir page 66).

⚠️ AVERTISSEMENT! Ne pas scier à proximité de lignes d'électricité.

⚠️ AVERTISSEMENT! Le manque de lubrification de la chaîne endommagera le guide-chaîne et la chaîne. Utiliser uniquement une huile de bonne qualité pour guide-chaînes et chaînes spécifiquement conçue pour les scies à chaîne. Une

minute d'utilisation consommera environ 4 ml d'huile.

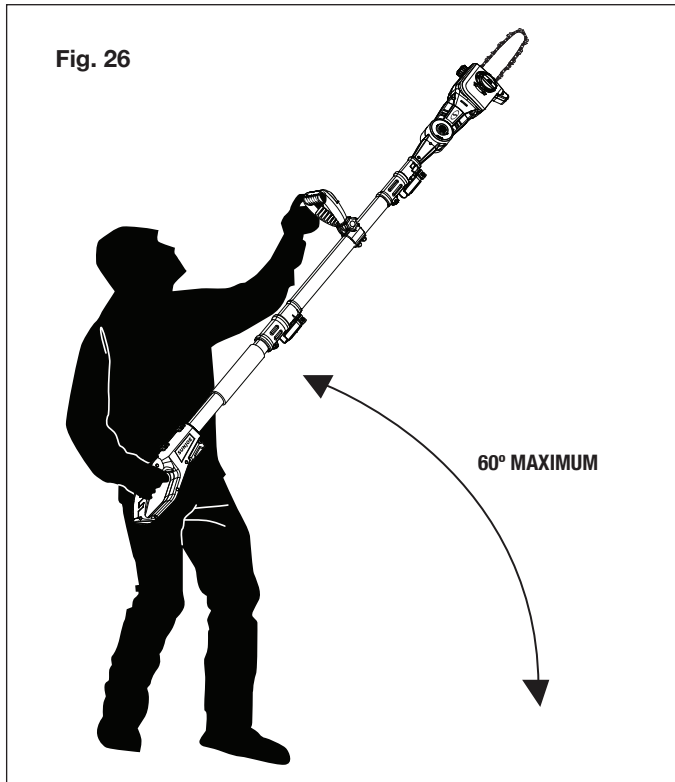
REMARQUE : il est normal que de l'huile suinte de la scie lorsqu'elle n'est pas utilisée. Pour empêcher les suintements, videz le réservoir d'huile après chaque utilisation. Quand vous remisez l'outil pendant une longue période (3 mois ou plus), assurez-vous que la chaîne est légèrement lubrifiée; ceci empêchera la chaîne et le pignon du guide-chaîne de rouiller.



⚠️ AVERTISSEMENT! Un effet de rebond peut se produire quand la chaîne en mouvement entre en contact avec quelque chose au niveau de la partie supérieure de l'embout du guide-chaîne ou quand le bois se rapproche trop près et pince la scie à chaîne dans l'entaille (Fig. 25). Tout contact au niveau de la partie supérieure de l'embout du guide-chaîne peut forcer la chaîne à creuser dans ce qu'elle a touché et arrêter la chaîne pendant un instant. Il s'ensuit une réaction inverse rapide comme l'éclair qui fait rebondir le guide-chaîne vers le haut et vers l'arrière en direction de l'utilisateur. Si la chaîne de la scie est pincée le long de la partie supérieure du guide-chaîne, celui-ci peut être également entraîné rapidement vers l'arrière en direction de l'utilisateur. L'une ou l'autre de ces réactions peut faire perdre le contrôle de la scie, ce qui peut déséquilibrer l'utilisateur et le blesser gravement. Ne comptez pas exclusivement sur les dispositifs de sécurité intégrés à la scie. En tant qu'utilisateur, vous devez prendre plusieurs précautions afin que vos travaux de sciage ne donnent lieu à aucun accident et aucune blessure.

Posture appropriée pour le sciage

- Répartissez votre poids sur les deux pieds, debout sur un sol stable.
- Votre corps doit toujours être à gauche de l'axe de la chaîne.
- La posture de sciage la plus courante consiste à positionner l'outil en formant un angle de 60°, ou moins ouvert, selon la situation (Fig. 26). Au fur et à mesure que l'angle formé par l'axe de la scie à chaîne à manche télescopique avec le sol augmente, il devient de plus en plus difficile d'effectuer la première entaille (depuis le dessous de la branche).



Procédure élémentaire de sciage

Cet outil, grâce à la tête porte-scie à chaîne, est conçu pour tailler de petites branches et du branchage d'un diamètre maximal de 16,5 cm, ce qui est recommandé, et en tout cas d'un diamètre toujours inférieur à 19 cm, en fonction du type de bois. Avant d'entamer des travaux de sciage majeurs, entraînez-vous à scier de petites branches en utilisant la technique suivante pour mieux « sentir » la scie.

- Prenez la posture appropriée en vous plaçant devant l'arbre, la scie étant arrêtée (Fig. 26).
- Avant d'effectuer une entaille, pressez la gâchette marche-arrêt et laissez la chaîne accélérer jusqu'à ce qu'elle atteigne sa vitesse maximale.
- Laissez la chaîne tourner pendant toute la durée du sciage; maintenez une vitesse régulière.
- Laissez la chaîne scier pour vous; exercez uniquement une légère pression vers le bas. Si vous forcez le sciage, le guide-chaîne, la chaîne ou même l'outil entier, peuvent être endommagés.
- **POUSSER-TIRER** – Le sens de cette force de réaction est toujours contraire au sens dans lequel la chaîne tourne quand elle est en contact avec le bois. Ainsi, l'utilisateur doit être prêt à contrôler l'effet **TIRER** quand la scie s'appuie sur le bord inférieur du guide-chaîne, et l'effet **POUSSER** quand la scie s'appuie le long du bord supérieur.
- À la fin du sciage, n'exercez aucune pression sur la scie.

Élagage

L'élagage consiste à scier les branches d'un arbre vivant.

- Élaguez les branches longues en plusieurs étapes.
- Sciez d'abord les branches inférieures pour faire de la place aux branches supérieures qui vont tomber.
- Lors de l'élagage d'un arbre, il importe de ne pas effectuer l'entaille finale à proximité d'une branche principale ou du tronc tant que la branche la plus éloignée n'a pas été sciée. Ceci réduira le poids et empêchera l'écorce de se détacher de la branche principale ou du tronc.
- La première entaille doit être pratiquée dans la partie inférieure de la branche, sur 1/3 de son diamètre. La seconde entaille doit être pratiquée dans la partie supérieure de la branche pour la faire tomber (Fig. 27). Préparez-vous à compenser le poids de la scie à chaîne à manche télescopique quand la branche tombe.

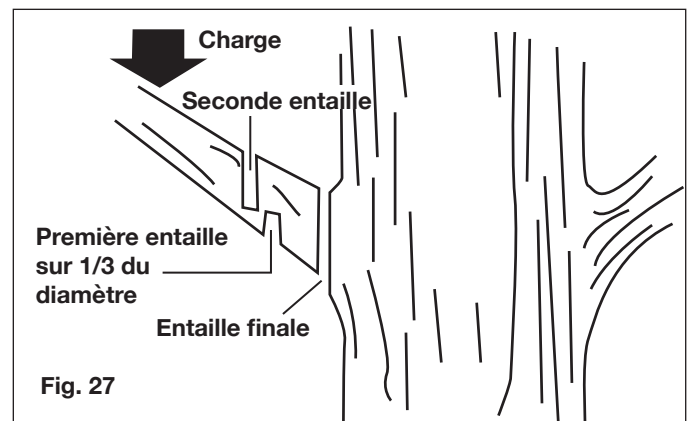


Fig. 27

- Quand vous redémarrez le moteur, maintenez toujours la gâchette marche-arrêt pressée.
- REMARQUE :** le moteur tourne uniquement quand la gâchette marche-arrêt est pressée et s'arrête quand la gâchette marche-arrêt est relâchée.
- Vous pouvez alors pratiquer sans heurts une entaille finale franche depuis la partie supérieure de la branche et contre la branche principale ou le tronc pour que l'écorce repousse et cicatrise le bois.
 - Relâchez la gâchette marche-arrêt dès que le sciage est achevé. Si vous ne vous conformez pas à ces procédures de sciage, le guide et la chaîne se gripperont et seront pincés ou emprisonnés dans la branche.

Ébranchage

L'ébranchage consiste à retirer les branches d'un arbre qui a été abattu.

- Vous devez scier les branches une par une. Retirez souvent les branches sciées de la zone de travail pour la maintenir propre et écarter tout danger.
- Sciez les branches sous tension depuis le bas et vers le haut pour empêcher que le guide-chaîne et la chaîne se grippent.

- Pendant l'ébranchage, faites en sorte que l'arbre soit toujours entre vous et la scie à chaîne à manche télescopique. Sciez depuis le côté de l'arbre opposé à la branche que vous sciez.

Si la scie est pincée ou emprisonnée

1. Attendez que la lame s'arrête, patientez cinq minutes pour que la scie se refroidisse, retirez la batterie et mettez des gants pour vous protéger les mains des dents de la chaîne.
2. Si vous pouvez atteindre la branche depuis le sol, levez la branche tout en tenant la scie. Ceci doit annuler la force de « pincement » et libérer la scie.
3. Si la scie reste emprisonnée, appelez un professionnel pour de l'aide.

Soin et entretien

⚠ AVERTISSEMENT! Toujours retirer la batterie avant

d'effectuer un réglage quelconque, de l'entretien ou des

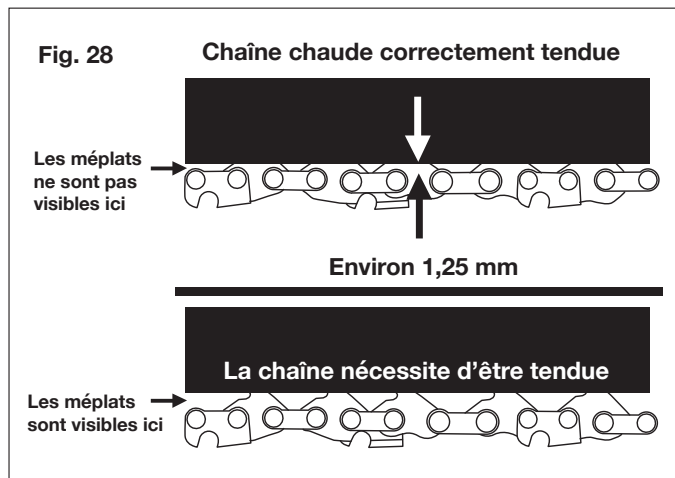
réparations sur la scie à chaîne à manche télescopique sans cordon.

- Portez des gants de protection quand vous manipulez le guide-chaîne ou la chaîne.
- Laissez le guide-chaîne dans sa coiffe protectrice, sauf quand vous travaillez sur le guide-chaîne ou sur la chaîne.
- N'éliminez jamais d'huile ou d'autres matières polluantes dans les endroits où cela n'est pas autorisé.

Tension de chaîne

Quand la chaîne est froide, vérifiez sa tension avant d'utiliser la scie. La tension d'une chaîne froide est appropriée quand il n'y a pas de jeu sur la face inférieure du guide-chaîne, quand la chaîne repose bien sur le guide, mais quand il est toujours possible de la faire tourner à la main sans qu'elle grippe.

Quand la chaîne est utilisée normalement, sa température augmente. Les maillons d'entraînement d'une chaîne qui est chaude et correctement tendue pendent en ressortant d'environ 1,25 mm de la rainure du guide-chaîne (Fig. 23). Sachez qu'une chaîne bien tendue, quand elle est chaude, peut se tendre excessivement en se refroidissant. Vérifiez la « tension à froid » avant l'utilisation suivante. La chaîne doit être de nouveau tendue toutes les fois que les méplats sur les maillons d'entraînement pendent en ressortant de la rainure du guide-chaîne (Fig. 28).



REMARQUE : une chaîne neuve a tendance à s'étirer. Vérifiez fréquemment la tension de la chaîne et, au besoin, tendez-la à nouveau.

Écrous et vis

Vérifiez périodiquement que tous les écrous et vis sont bien attachés et serrés. Vérifiez que le dispositif de verrouillage du manche télescopique et le verrou d'assemblage sont intacts et fonctionnent bien.

Affutage de la chaîne

⚠ AVERTISSEMENT! Pour être certain que la scie fonctionne efficacement et sans danger, il est essentiel que les composants de sciage soient bien affûtés. **Il est vivement recommandé de remplacer la chaîne une fois qu'elle ne peut plus scier franchement et sans danger.** Il est toutefois possible d'affûter la chaîne existante si l'affûtage est effectué soigneusement. Tout travail sur la chaîne et le guide-chaîne nécessite de l'expérience et des outils spéciaux. Par mesure de sécurité, nous vous recommandons de communiquer avec un revendeur Snow Joe® + Sun Joe® agréé ou d'appeler le service clientèle Snow Joe® + Sun Joe® au 1 866-SNOWJOE (1-866-766-9563).

L'affûtage est nécessaire quand :

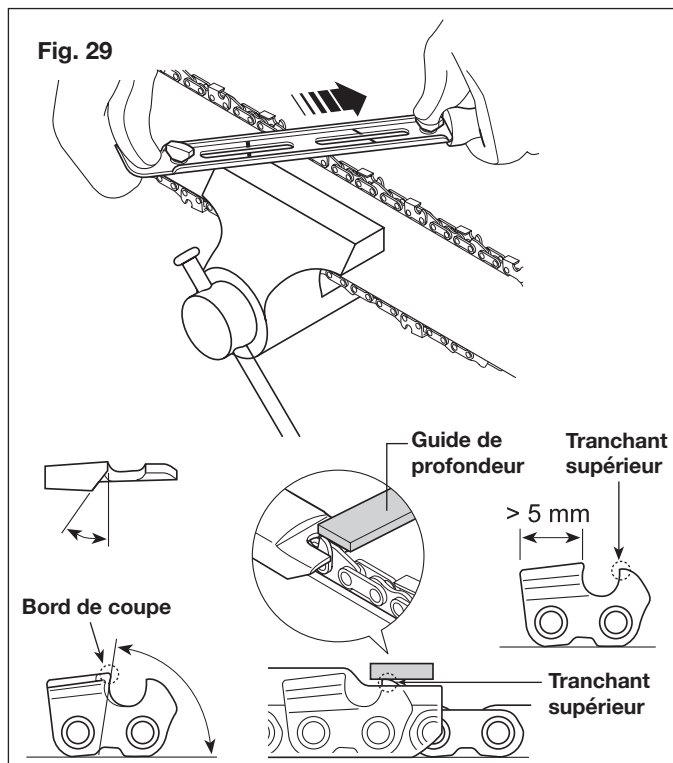
- la sciure ressemble à de la poussière;
- il devient de plus en plus difficile de scier;
- l'entaille n'est pas franche;
- Les vibrations augmentent.

Le centre d'entretien et de réparation agréé affûtera la chaîne en utilisant les bons outils pour que le minimum de composants soit déposé et que tous les bords de coupe soient affûtés uniformément.

Si vous affûtez vous-même la chaîne, utilisez des limes spéciales à section ronde ayant le diamètre correspondant au type de chaîne (voir ci-dessous le Tableau d'entretien de la chaîne). Vous devez avoir des compétences et une expérience suffisantes pour éviter d'endommager les bords de coupe.

Affutez la chaîne comme suit (Fig. 29) :

- Attachez solidement le guide-chaîne dans un étau adapté, la chaîne étant montée dessus.
- Tendez la chaîne si elle est lâche.
- Montez la lime dans le guide-chaîne et insérez-la ensuite dans la gouge en formant un angle constant avec le bord de coupe.
- Limez en effectuant plusieurs fois un mouvement vers l'avant et répétez l'opération sur tous les bords de coupe faisant face dans la même direction (droite ou gauche).
- Utilisez un tournevis pour faire avancer la chaîne.
- Retournez le guide-chaîne dans l'étau et répétez l'opération pour tous les autres bords de coupe.
- Vérifiez que le tranchant supérieur ne ressort pas davantage par rapport au niveau du guide de profondeur et limez tout ce qui dépasse à l'aide d'une lime plate en affutant les bords de coupe (Fig. 29).
- Après l'affutage, éliminez toutes les traces de limage et de poussière, puis plongez la chaîne dans un bain d'huile pour la lubrifier. Remplacez la chaîne toutes les fois que :
 - la longueur des bords de coupe se réduit à 5 mm ou moins;
 - il y a trop de jeu entre les maillons et les rivets.



Entretien du guide-chaîne

Quand le guide-chaîne présente des signes d'usure, retournez-le sur la scie pour répartir l'usure et prolonger sa durée de vie. L'amincissement ou la formation de bavures sur les rainures du guide-chaîne est une usure normale. Vous devez limer ce type de défauts dès son apparition.

Remplacez le guide-chaîne quand il présente les défauts suivants :

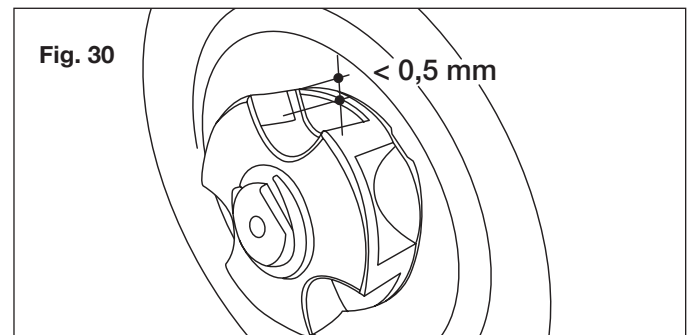
- usure intérieure des rainures du guide-chaîne laissant la chaîne se déporter sur les côtés;
- guide-chaîne voilé;
- rainures fissurées ou cassées;
- rainures écartées.

Retournez la scie, vérifiez le dessous du guide-chaîne et assurez-vous que les trous de lubrification et la rainure de chaîne sont exempts de toute impureté.

Pignon d'entraînement

Vérifiez régulièrement l'état du pignon et remplacez-le quand il est usé sur plus de 0,5 mm (Fig. 30).

Ne montez pas une chaîne neuve quand le pignon est usé ou vice-versa.



Dépannage

Conseils de dépannage

La plupart des problèmes se règlent facilement. Consultez le tableau de dépannage pour les problèmes communs et leurs solutions. Si les problèmes persistent ou si des réparations sont nécessaires au-delà de simples réglages, veuillez appeler le 1-866-SNOWJOE (1-866-766-9563) pour de l'aide.

⚠ AVERTISSEMENT! Toujours retirer la batterie avant d'effectuer un réglage quelconque, un entretien ou des réparations sur votre scie à chaîne sans cordon.

Tableau d'entretien de chaîne

Maillons d'entraînement	Pas de chaîne		Calibre de chaîne		Diamètre de lime	
	pouces	mm	pouces	mm	pouces	mm
33	3/8	9,5	0,050	1,3	5/32	4

Tableau de dépannage

Problèmes	Mesure corrective
Le moteur de la scie ne réussit pas à démarrer	<ul style="list-style-type: none"> • Vérifiez que vous avez inséré la batterie de façon appropriée et que la batterie a suffisamment de puissance pour fonctionner. • Avant de presser la gâchette marche-arrêt, assurez-vous d'appuyer à fond sur le bouton-poussoir de sécurité en le maintenant enfoncé.
La scie tourne, mais la vitesse de la chaîne est lente	<ul style="list-style-type: none"> • La chaîne est trop serrée; réglez la tension.
Guide-chaîne et chaîne dégageant de la chaleur et de la fumée	<ul style="list-style-type: none"> • La tension de la chaîne est trop forte; réglez la tension. • Le réservoir d'huile de la chaîne est vide; remplissez-le. • Les trous de lubrification sont bouchés; nettoyez-les.
Le moteur de la scie tourne, mais la chaîne ne tourne pas	<ul style="list-style-type: none"> • La tension de la chaîne est trop forte; réglez la tension. • Le guide-chaîne ou la chaîne sont endommagés; inspectez et remplacez les pièces endommagées.

Liste de contrôle quotidienne, nettoyage et remisage

Liste de contrôle quotidienne

Pour maintenir le rendement optimal de votre scie à chaîne à manche télescopique, nous vous recommandons de pointer cette liste de contrôle avant chaque séance de travail.

⚠️ AVERTISSEMENT! Ne pas insérer la batterie tant que toutes les vérifications quotidiennes n'ont pas été effectuées.

- Inspectez la chaîne, le guide-chaîne et le caisson moteur pour vérifier qu'ils ne sont visiblement pas endommagés.
- Inspectez l'orifice de remplissage d'huile et les rainures du guide-chaîne et nettoyez-les pour retirer tous les débris.
- Vérifiez la tension de la chaîne.
- Vérifiez l'affutage des dents de la chaîne.
- Vérifiez le niveau d'huile pour guide-chaînes et chaînes; faites le niveau en utilisant uniquement une huile fraîche spécifiquement formulée pour les scies à chaîne.

REMARQUE : si vous notez quoi que ce soit d'inhabituel, par exemple une vibration ou un son étrange, arrêtez immédiatement la scie. Retirez la batterie et vérifiez si la scie n'est pas endommagée.

Si vous ne pouvez pas trouver la cause du problème ou si vous ne savez pas quoi faire, faites inspecter la scie par un revendeur Snow Joe® + Sun Joe® agréé ou appelez le service clientèle Snow Joe® + Sun Joe® au 1-866-SNOWJOE (1-866-766-9563) avant de l'utiliser.

⚠️ MISE EN GARDE!

- Retirer la batterie et patienter au moins cinq minutes pour que la scie se refroidisse avant d'intervenir dessus ou la remiser.
- Si vous faites tomber la scie, vérifiez soigneusement qu'elle n'est pas endommagée. Si le guide-chaîne est voilé, si le caisson est fissuré, si la poignée est cassée, ou si vous constatez quoi que ce soit pouvant affecter le fonctionnement de la scie, **NE PAS UTILISER** l'outil. Communiquez avec un centre d'entretien et de réparation Snow Joe® + Sun Joe® agréé ou appelez le service clientèle Snow Joe® + Sun Joe® au 1-866-SNOWJOE (1-866-766-9563).

Élimination

Recyclage de l'outil

- Ne jetez pas les appareils électriques comme si c'étaient des déchets ménagers. Utilisez les services d'enlèvement spéciaux des ordures ménagères.
- Communiquez avec l'organisme public local pour obtenir des informations sur les systèmes d'enlèvement offerts.
- Si des appareils électriques sont éliminés dans les décharges ou les dépôts d'ordures, des substances dangereuses peuvent s'infiltrer dans les eaux souterraines et polluer la chaîne alimentaire en nuisant à votre santé et votre bien-être.
- Lors du remplacement d'un appareil électrique ancien par un neuf, le détaillant est légalement tenu de reprendre au moins gratuitement votre ancien appareil pour l'éliminer.

Recyclage et élimination

L'outil est livré dans un emballage qui l'empêche d'être endommagé pendant son expédition. Conservez l'emballage jusqu'à ce que vous soyez sûr que toutes les pièces ont été expédiées et que l'outil fonctionne correctement. Ensuite, recyclez l'emballage ou conservez-le pour le remisage de longue durée.



Symbole DEEE. Les déchets d'équipements électriques ne doivent pas être jetés avec les déchets ménagers. Veuillez les recycler dans les installations prévues à cet effet. Pour les réglementations de recyclage, communiquez avec les services publics locaux ou avec votre revendeur.

24VCHRG-AC

FCC (Commission fédérale des communications)

 **AVERTISSEMENT!** Toute modification ou tout

changement apporté à cet appareil et non approuvé par

la partie à qui incombe la responsabilité de sa conformité pourrait annuler l'autorisation de l'utiliser.

Appareil de Classe B :

REMARQUE : ce matériel a été testé et il a été constaté qu'il est conforme aux limites des appareils numériques de Classe B, conformément à la Partie 15 des Règles de la FCC.

Ces limites sont conçues pour fournir une protection raisonnable contre le brouillage préjudiciable dans une installation résidentielle.

Ce matériel génère, utilise et peut rayonner une énergie de fréquence radio et, s'il n'est pas installé et utilisé conformément aux instructions, peut être à l'origine d'un brouillage préjudiciable aux communications radio.

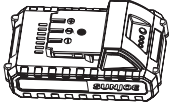
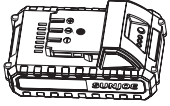



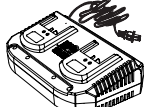



Toutefois, il n'est pas exclu que le brouillage affecte une installation particulière.

Si cet appareil est à l'origine de brouillage préjudiciable à la réception radio et télévision, ce qui peut être déterminé en éteignant et en allumant l'appareil, l'utilisateur est invité à supprimer le brouillage en prenant une ou plusieurs des mesures suivantes :

- Réorienter ou repositionner l'antenne de réception.
- Augmenter la distance entre l'appareil et le récepteur.
- Brancher l'appareil dans la sortie d'un circuit différent de celui dans lequel le récepteur est branché.
- Pour de l'aide, consulter le revendeur ou un technicien radio/télévision qualifié.

Accessoires en option

⚠️ AVERTISSEMENT! TOUJOURS utiliser des pièces de rechange et des accessoires Snow Joe® + Sun Joe® homologués. NE JAMAIS utiliser des pièces ou des accessoires qui ne sont pas destinés à être utilisés avec cette scie à chaîne à manche télescopique sans cordon. Communiquez avec le service clientèle Snow Joe® + Sun Joe® si vous n'êtes pas sûr que l'utilisation d'une pièce de rechange ou d'un accessoire particulier avec votre scie à chaîne à manche télescopique sans cordon soit sans danger. L'utilisation de tout autre accessoire ou de toute autre pièce détachée peut être dangereuse et pourrait provoquer des dommages corporels ou mécaniques.

Accessoires	Description	Modèle
<p>①</p> 	<p>Batterie au lithium-ion 2,0 Ah iON+ 24 V Autonomie max. de la batterie : jusqu'à 32 morceaux de pin de 10 cm x 10 cm</p>	24VBAT-LTE
<p>②</p> 	<p>Batterie au lithium-ion 2,5 Ah iON+ 24 V Autonomie max. de la batterie : jusqu'à 40 morceaux de pin de 10 cm x 10 cm</p>	24VBAT-LT
<p>③</p> 	<p>Batterie au lithium-ion 4,0 Ah iON+ 24 V Autonomie max. de la batterie : jusqu'à 64 morceaux de pin de 10 cm x 10 cm</p>	24VBAT
<p>④</p> 	<p>Batterie au lithium-ion 5,0 Ah iON+ 24 V Autonomie max. de la batterie : jusqu'à 80 morceaux de pin de 10 cm x 10 cm</p>	24VBAT-XR
<p>⑤</p> 	<p>Chargeur rapide de batterie au lithium-ion iON+ 24 V</p>	24VCHRG-QC
<p>⑥</p> 	<p>Double chargeur de batteries au lithium-ion iON+ 24V</p>	24VCHRG-DPC
<p>⑦</p> 	<p>Chaîne 20,3 cm</p>	SWJ-8CHAIN
<p>⑧</p> 	<p>Guide-chaîne 20,3 cm</p>	GTS-8CBAR
<p>⑨</p> 	<p>Support mural universel avec quincaillerie de fixation</p>	SJWB

REMARQUE : les accessoires sont sous réserve de changements sans que Snow Joe® + Sun Joe® soit pour autant tenue de donner un préavis desdits changements. Les accessoires peuvent être commandés en ligne sur le site sunjoe.com ou par téléphone en appelant le service clientèle Snow Joe® + Sun Joe® au 1-866-SNOWJOE (1-866-766-9563).



LA PROMESSE DE SNOW JOE® + SUN JOE® À SES CLIENTS

Vous êtes notre client et Snow Joe, LLC (« Snow Joe ») **SE MET EN QUATRE** pour vous servir. Nous nous efforçons de vous rendre l'utilisation de nos produits aussi plaisante que possible. Malheureusement, il peut arriver qu'un produit Snow Joe®, Sun Joe® ou Aqua Joe (« Produit ») ne fonctionne pas ou se casse dans des conditions d'utilisation normales. Nous pensons qu'il est important que vous sachiez ce que vous pouvez attendre de nous. C'est pourquoi nous avons une garantie limitée (« Garantie ») pour nos Produits.

NOTRE GARANTIE :

Snow Joe déclare et garantit que les Produits neufs, d'origine, électriques ou non électriques sont exempts de vices de matière ou de fabrication et, lorsqu'ils font l'objet d'une utilisation résidentielle et ménagère ordinaire, les garantit pendant une période de deux ans à compter de la date d'achat au détail par l'acheteur primitif auprès de Snow Joe ou d'un des revendeurs agréés de Snow Joe, preuve d'achat à l'appui. Étant donné que Snow Joe ne peut pas contrôler la qualité de ses Produits vendus par des revendeurs non agréés, sauf stipulation contraire de la loi, la présente Garantie ne couvre pas les Produits achetés auprès de vendeurs non agréés. Si votre Produit ne fonctionne pas ou si une pièce spécifique couverte par les modalités de la présente Garantie fait l'objet d'un problème quelconque, Snow Joe choisira (1) de vous envoyer une pièce de rechange gratuite, (2) de remplacer le Produit par un produit neuf ou comparable, gratuitement, ou (3) de réparer le Produit. Génial, n'est-ce pas?

La présente Garantie vous donne des droits judiciaires spécifiques, et vous pouvez également avoir d'autres droits qui peuvent varier d'une province ou d'un territoire à l'autre.

ENREGISTREMENT DU PRODUIT :

Snow Joe vous recommande vivement d'enregistrer votre Produit. Vous pouvez l'enregistrer en ligne sur le site snowjoe.com/register, ou en imprimant et en envoyant par courrier une carte d'enregistrement offerte en ligne sur notre site Web, ou par téléphone en appelant notre Service à la clientèle au **1-866-SNOWJOE (1-866-766-9563)**, ou encore en nous envoyant un courriel à l'adresse help@snowjoe.com. Le fait de ne pas enregistrer l'achat de votre Produit n'a aucune conséquence sur vos droits concernant la garantie. Toutefois, l'enregistrement de votre Produit permettra à Snow Joe de mieux répondre au moindre besoin que vous pourriez avoir en matière de service à la clientèle.

QUI PEUT REVENDIQUER LA COUVERTURE DE LA GARANTIE?

La présente Garantie est étendue par Snow Joe à l'acheteur et propriétaire primitif du Produit.

QU'EST-CE QUI N'EST PAS COUVERT?

La présente Garantie ne s'applique pas si le Produit a été utilisé commercialement, pour des travaux non résidentiels ou s'il fait l'objet d'une location. La présente Garantie ne s'applique pas non plus si le Produit a été acheté auprès d'un revendeur non agréé. La présente garantie ne couvre pas non plus les changements cosmétiques qui n'affectent pas le rendement. Les pièces d'usure comme les courroies, les tarières, les chaînes et les dents ne sont pas couvertes au titre de la présente Garantie et peuvent être achetées en ligne sur le site snowjoe.com ou en appelant le **1-866-SNOWJOE (1-866-766-9563)**.



sunjoe.com