



16x12 STRATFORD, ASHFORD, HAWTHORNE PERGOLA

Model #'s
2105027, 2105034, 2105041

Owner's Manual & Assembly Instructions

MANUFACTURED BY:
Backyard Discovery
3305 Airport Drive
Pittsburg, KS 66762
800-856-4445



2105027 STRATFORD
(BLACK)



2105034 ASHFORD
(BROWN)



2105041 HAWTHORNE
(WHITE)



**INSTALLATION
SERVICES
AVAILABLE!***

Need a helping hand?

Let our team of professionals handle the installation for you!

GOCONFIGURE
888-888-5424

*Installation services are only available
to U.S. customers.

average 2 person assembly time



assembly time may vary based on skill level

Before you begin

**FOR QUICK &
EASY ASSEMBLY**

FIND 3D INSTRUCTIONS
FOR THIS PRODUCT IN

BILT.

DOWNLOAD THE FREE APP



For the most up to date assembly manual,
to register your set, or to order replacement parts please visit
www.backyarddiscovery.com

**SAVE THIS ASSEMBLY MANUAL FOR FUTURE REFERENCE IN THE EVENT THAT YOU NEED
TO ORDER REPLACEMENT PARTS.**

Para obtener instrucciones en español, visite www.backyarddiscovery.com



GOCONFIGURE
Putting it all together for you

INSTALLATION SERVICES AVAILABLE!*

Need a helping hand?

Let our team of professionals handle the installation for you!

GOCONFIGURE
888-888-5424

**Installation services are only available
to U.S. customers.*

With Go Configure, we bring you 18 years of experience right to your doorstep. We service a wide array of indoor and outdoor recreation products that most consumers don't have the time or ability to deliver & install themselves.

We do the heavy lifting, so you don't have to!

-
- 18+ Years of Experience Servicing Big Box Retailers and Direct Consumers
 - Highly Skilled, Specialized, Courteous, Professional Service Technicians
 - Over 140,000 Installations Annually
 - White Glove Service

- Satisfaction Guarantee
 - Flexible Appointments, including weekends
 - Coverage across the nation
- Visit www.goconfigure.com for more info!**
-

**Installation services are only available to U.S. customers.*



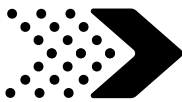
The store where you made your purchase does not stock parts for this item. If you have assembly questions or you are missing or have damaged parts, please call

1-800-856-4445

you can also visit www.backyarddiscovery.com
or e-mail customerservice@backyarddiscovery.com

Please have the following information ready when you make your call:

- Model Number of the product located on the front of the assembly manual
 - The item description and number from the parts list from the manual that was included in your box
-
- Read entire assembly manual, paying special attention to the important tips and safety information.
 - To ensure there are no missing pieces do a complete inventory by first separating and identifying all parts.
 - Make sure to check packing material for small parts that may have fallen out during shipment.
 - Structures are not intended for public use. The Company does not warranty any of its residential structures subjected to commercial use.
 - This manual contains helpful information concerning assembly preparation, installation procedure and required maintenance.
 - Always keep safety in mind as your structure is being built.
 - Keep these instructions for future reference.



THE MANUFACTURER RESERVES THE RIGHT TO MAKE SUBSTITUTIONS TO WARRANTY CLAIMS IF PARTS ARE UNAVAILABLE OR OBSOLETE

This Limited Warranty by Backyard Discovery applies to products manufactured under the Backyard Discovery brand or its other brands including but not limited to Adventure Playsets, and Leisure Time Products.

Backyard Discovery Wood Patio Structure

Backyard Discovery warrants this wood patio product to be free from defects in materials and workmanship for a period of two (2) year from the original date of purchase. All wood carries a five (5) year warranty against rot and decay from the original purchase date.

Backyard Discovery Metal Patio Structure

Backyard Discovery warrants this metal patio product to be free from defect in materials and workmanship for a period of five (5) years from the original date of purchase.

This warranty applies to the original owner and registrant and is non-transferable. Regular maintenance is required to assure maximum life and performance of this product. Failure by the owner to maintain the product according to the maintenance requirements may void this warranty. Maintenance guidelines are provided in the Owner's Manual.

This Limited Warranty does not cover:

- Installation – the warranty is null and void if installation is not in accordance with the directions
- Labor for any inspection
- Labor for replacement of any defective item(s)
- Incidental or consequential damages
- Cosmetic defects, including rusting, color fading, minor cracks, corrosion, which do not affect performance or integrity of a part or the entire product
- Vandalism, improper use, failure due to loading or use beyond the capacities stated in the applicable Assembly Manual.
- Acts of nature including but not limited to wind, storms, hail, floods, excessive water exposure
- Improper installation including but not limited to installation on uneven, unlevel, or soft ground
- Minor twisting, warping, checking, or any other natural occurring properties of wood that do not affect performance or integrity.

Backyard Discovery products have been designed for safety and quality. Any modifications made to the original product could damage the structural integrity of the unit leading to failure and possible injury. Modification voids any and all warranties and Backyard Discovery assumes no liability for the modified products or consequences resulting from failure of a modified product.

To make a Warranty claim, send complete information regarding any product defect, including: (i) a copy of the original receipt for purchase, (ii) acceptance of installation documentation, (iii) a description, including pictures wherever possible, describing, defining and showing such defect. Such information should be sent to:

Backyard Discovery LLC, C/O Warranty Claims Department
3305 Airport Rd
Pittsburg, KS 66762

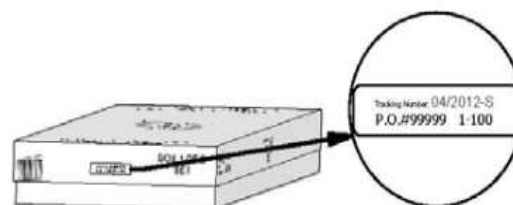
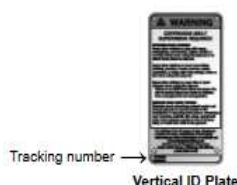
Please read entire booklet completely before beginning the assembly process

Please retain these instructions and your receipt for future reference. Keep them in a safe place where you can refer to them as needed. In order to provide you with the most efficient service, it is required that you provide us with the part numbers when ordering parts.

For Your Records:

Please take time and fill out the information below. This information will be needed for warranty issues.

Where Purchased: _____
 Date of Purchase: _____
 Installation Date: _____
 Installed by: _____
 Tracking Number: _____



Tracking Number Reference Label

Tracking ID number on the carton and on the bottom of the vertical ID plate are included for tracking purposes associated with warranty claims.



WARNING

IT IS IMPORTANT TO CHECK AND TIGHTEN ALL HARDWARE AT THE BEGINNING AND DURING THE SEASON AS THEY MAY LOOSEN DUE TO WOOD EXPANSION AND CONTRACTION.

- **DO NOT climb or walk on the roof for any reason**
- **Requires two or more people to assemble safely**
- **Check for underground utilities before digging or driving stakes into the ground.**
- **Check carefully for overhead lines and ensure there is at least 6ft (2m) clearance from any overhead electrical wires.**
- **Permanent structures may require a building permit. As the purchaser and or installer of this product you are advised to consult local planning, zoning and building inspection departments for guidance on applicable building codes and/or zoning requirements.**
- Wear gloves to avoid injury during installation.
- During installation, follow all safety warnings provided with your tools and use safety glasses.
- Check all nuts and bolts twice monthly during the usage season and tighten as required.(But not so tight that you crack the wood) It is particularly important that this procedure be followed at the beginning of each season.
- Oil all metallic moving parts monthly during the usage period.
- Check all coverings for bolts and sharp edges twice monthly during usage season to be certain they are in place. Replace when necessary. It is especially important to do this at the beginning of each new season.
- For rusted areas on metallic members such as hinges, brackets, etc. sand and repaint, using a non lead-based paint meeting the requirements of Title 16 CRF Part 1303. Touch up paint is available through Backyard Discovery. Please have the product number tag available for reference for customer support. This insures the correct color will be provided.

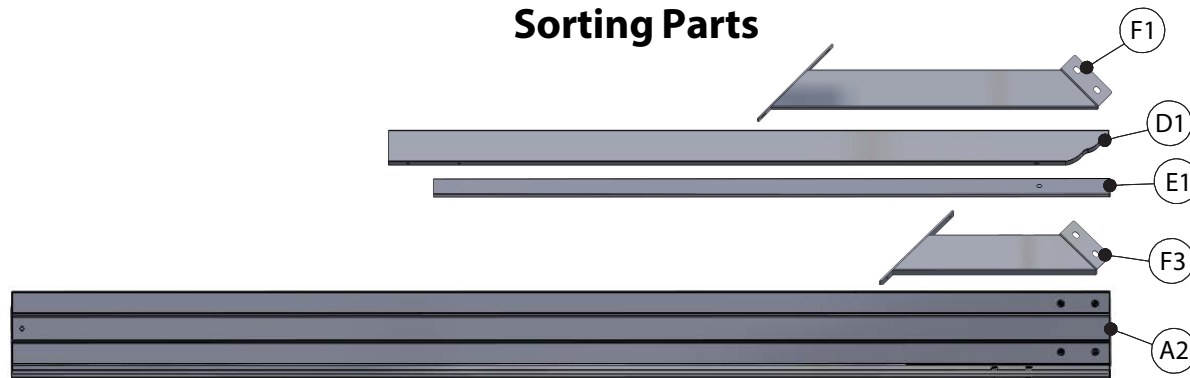
OWNERS SHALL BE RESPONSIBLE FOR MAINTAINING THE LEGIBILITY OF THE WARNING LABELS



ASSEMBLY TIP:

Keep an eye out for these boxes which will contain helpful pictures and information making the assembly process as quick and painless as possible.

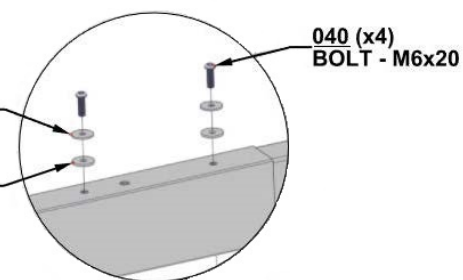
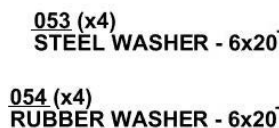
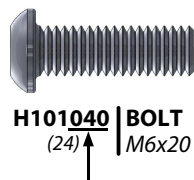
Sorting Parts



When removing the parts from the boxes we recommend arranging them by part number before you begin assembly. This will allow for faster assembly and easily identify any parts that may be missing or damaged.

Hardware Identification

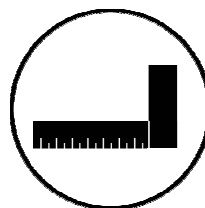
Hardware is identified with a seven digit alpha-numeric part number. During assembly you only need to reference the last three digits of the part number as noted in each step. This will make finding the correct hardware easier.



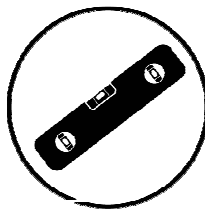
Tools Required



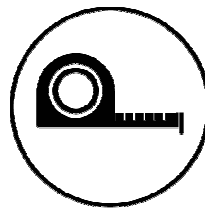
Some steps in the assembly process will require a second set of hands. Make sure you have a helper available.



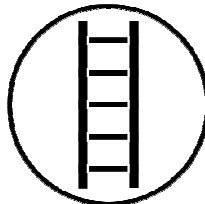
You will need to make sure that your assembly is square before fully tightening your bolts.



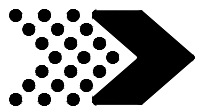
For proper assembly you will need to ensure that your structure is level before proceeding to the next step.



A tape measure may be needed to check overall dimensions to ensure structure is square.



A ladder will be needed for assembly. **DO NOT** stand or climb on any part of the structure at any point. Doing so may result in injury.



It is critically important that you start with square and level footings, concrete pad or deck to attach your structure

- Pay close attention to the items needed for each step. Make sure you are using the correct hardware for each step. Using incorrect hardware may result in improper assembly
- Remember to double check for underground utilities and overhead electrical lines

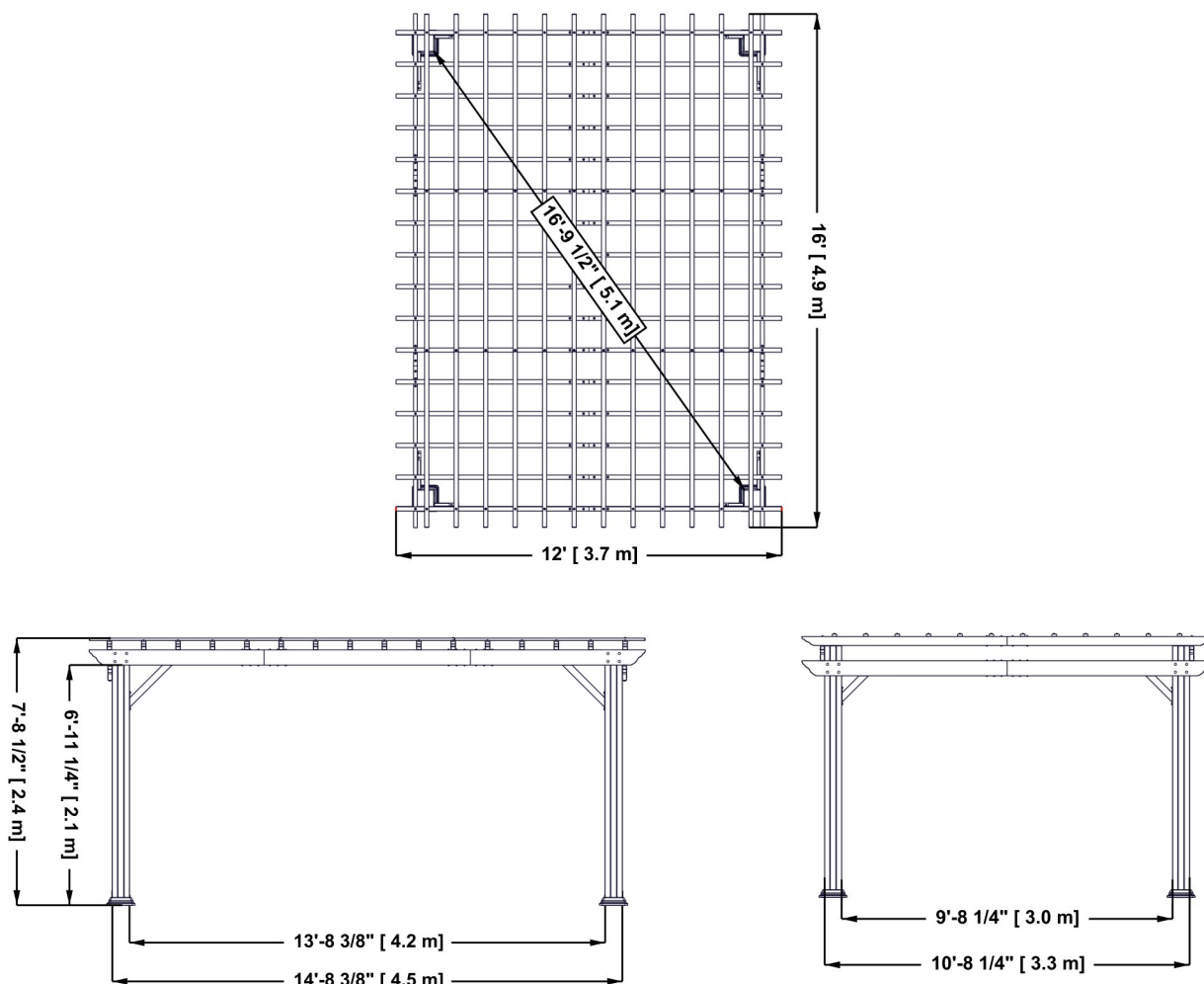
Post mounts are provided with your structure which allows you to permanently install your structure to a pre-existing or new wood or concrete surface.

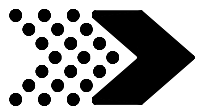
- The hardware to attach the post mounts to the structure is included.
- The hardware to mount the structure permanently to a concrete surface is NOT included.
- The hardware to mount the structure permanently to a wood deck is NOT included and will need to be purchased separately. **You must ensure there is ample structural support under the deck before permanently attaching.**

Metal Roof Assembly

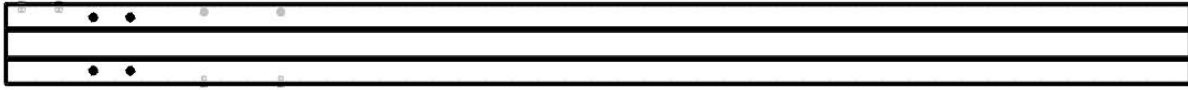
Remove plastic covering from metal roof panels before installing each piece. Place roofing materials on a nonabrasive, flat surface before and after assembly as it could bend, dent or scratch

Overall Dimensions

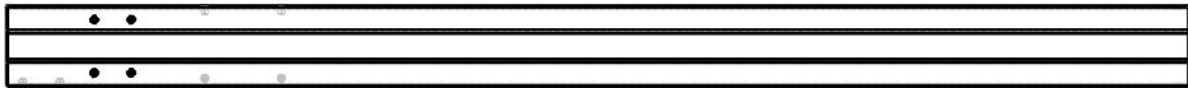




Metal Components (Not to Scale)



A1 POST - A4M01260
(2) 6"x6"x88" (152x152x2235)



A2 POST - A4M01261
(2) 6"x6"x88" (152x152x2235)



B1 JOIST END - A4M01262
(2) 1 3/8"x5 1/4"x60 1/2" (36x134x1537)



B2 JOIST END - A4M01263
(2) 1 3/8"x5 1/4"x60 1/2" (36x134x1537)



B3 JOIST - A4M01264
(2) 1 3/8"x5 1/4"x71 1/4" (36x134x1811)



C1 JOIST END - A4M01265
(2) 1 3/8"x5 1/4"x72 1/8" (36x134x1831)



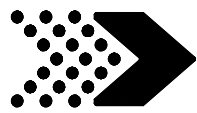
C2 JOIST END - A4M01266
(2) 1 3/8"x5 1/4"x72 1/8" (36x134x1831)



D1 JOIST END - A4M01267
(8) 1 5/8"x3 1/8"x72 1/8" (40x80x1831)



D2 JOIST END - A4M01268
(24) 1 5/8"x3 1/8"x72 1/8" (40x80x1831)



Metal Components (Not to Scale)



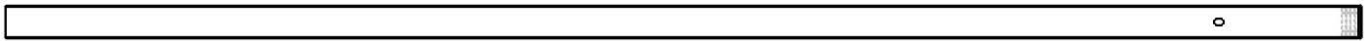
J1 | SPLICE BRACKET - A4M01269
(4) | 1 1/4"x5 1/8"x19 5/8" (33x131x500)



J2 | SPLICE BRACKET - A4M01270
(2) | 1 1/4"x5 1/8"x15 3/4" (33x131x400)



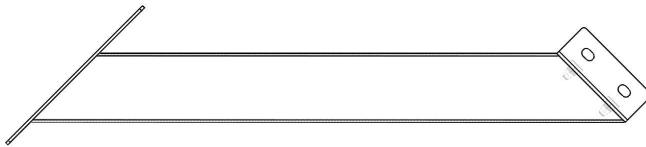
J3 | SPLICE BRACKET - A4M01271
(16) | 1 1/2"x3"x15 3/4" (37x77x400)



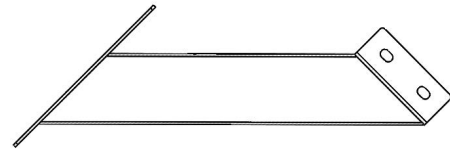
E1 | PURLIN END - A4M01272
(24) | 3/4"x1 5/8"x65 3/4" (20x40x1670)



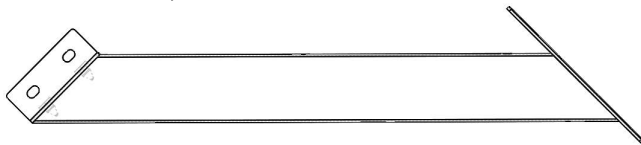
E2 | PURLIN - A4M01277
(12) | 3/4"x1 5/8"x60 3/8" (20x40x1534)



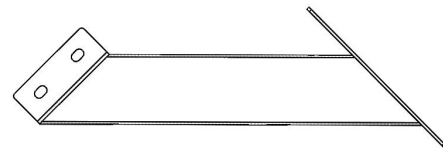
F1 | LONG ANGLE BRACE - A4M01273
(2) | 1 1/8"x4"x21 1/2" (30x101x546)



F3 | SHORT ANGLE BRACE - A4M01275
(2) | 1 1/8"x4"x14" (30x101x355)



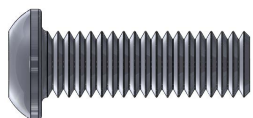
F2 | LONG ANGLE BRACE - A4M01274
(2) | 1 1/8"x4"x21 1/2" (30x101x546)



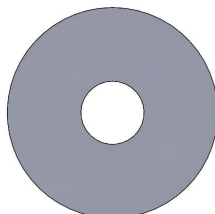
F4 | SHORT ANGLE BRACE - A4M01276
(2) | 1 1/8"x4"x14" (30x101x355)



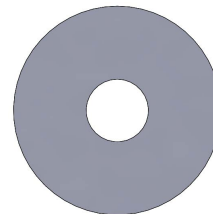
Hardware Components



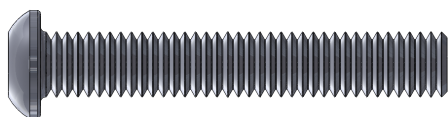
H101040 | **HEX PAN HEAD**
(242) | M6x1x20



H101053 | **STEEL WASHER**
(322) | 6x20



H101054 | **SEALANT WASHER**
(322)



H101041 | **HEX PAN HEAD**
(50) | M6x1x40



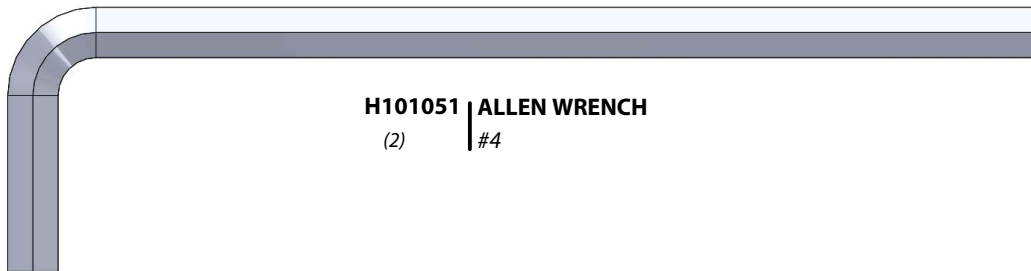
H101042 | **HEX PAN HEAD**
(34) | M6x1x100



H101043 | **HEX SOCKET SCREW**
(34) | M6x1x20



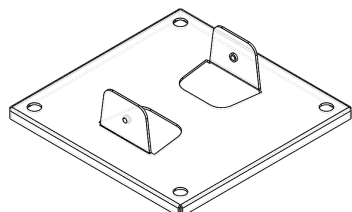
H101052 | **ALLEN BIT**
(2) | #4



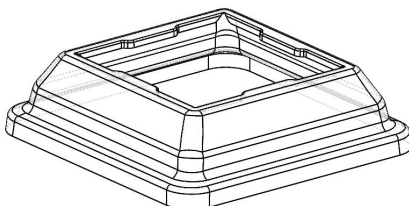
H101051 | **ALLEN WRENCH**
(2) | #4



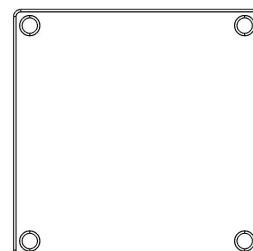
Accessory Components (Not to Scale)



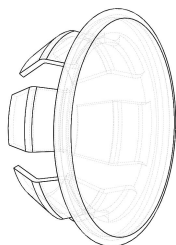
G1 | POST FOOT PLATE - A4M01278
(4) | 2 1/8"x8 3/8"x8 3/8" (54x213x213)



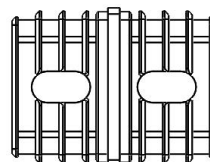
G2 | POST FOOT - A4M01279
(4) | 2 5/8"x9 7/8"x9 7/8" (68x250x250)



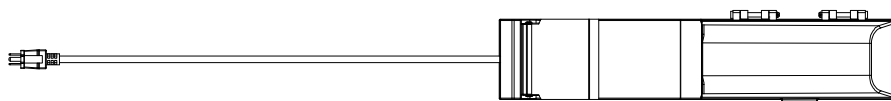
G3 | FOOT PLASTIC PLATE - A6P00464
(4) | 3/8"x8 1/8"x8 1/8" (11x207x207)



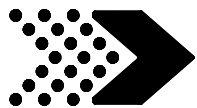
H1 | HOLE COVER - A4M01352
(32)



H2 | 2-WAY SQUARE PLUG - A6P00465
(24) | 3/4"x1 5/8"x2" (20x40x52)

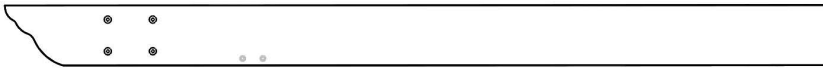


9205413 | ELECTRICAL ENCLOSURE
(x1)



PERGOLA ASSEMBLY

STEP 1



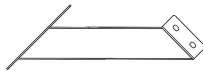
C1 JOIST END - A4M01265

(2) 1 3/8"x5 1/4"x72 1/8" (36x134x1831)



J2 SPLICE BRACKET - A4M01270

(2) 1 1/4"x5 1/8"x15 3/4" (33x131x400)



F3 SHORT ANGLE BRACE - A4M01275

(2) 1 1/8"x4"x14" (30x101x355)



H101040 | HEX PAN HEAD

(16) | M6x1x20



H101053 | STEEL WASHER

(16) | 6x20



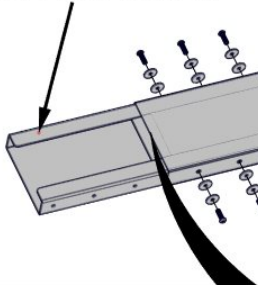
H101054 | SEALANT WASHER

(16)

 DO NOT FULLY TIGHTEN BOLTS AT THIS STEP.

**J2 (x1)
SPLICE BRACKET**

**C1 (x1)
JOIST END**



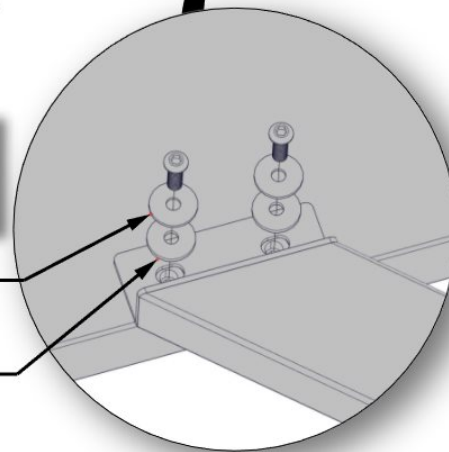
**040 (x8)
BOLT - M6x20**

**F3 (x1)
SHORT ANGLE BRACE**

J2 SLIDES INTO C1. LINE UP THREE HOLES ON J2 WITH THREE HOLES ON C1 AND INSERT BOLTS TOP AND BOTTOM.

**053 (x8)
STEEL WASHER - 6x20**

**054 (x8)
SEALANT WASHER**



COMPLETE THIS STEP TWICE.



C2 JOIST END - A4M01266
(2) 1 3/8"x5 1/4"x72 1/8" (36x134x1831)



F4 SHORT ANGLE BRACE - A4M01276
(2) 1 1/8"x4"x14" (30x101x355)



H101040 | HEX PAN HEAD
(16) | M6x1x20

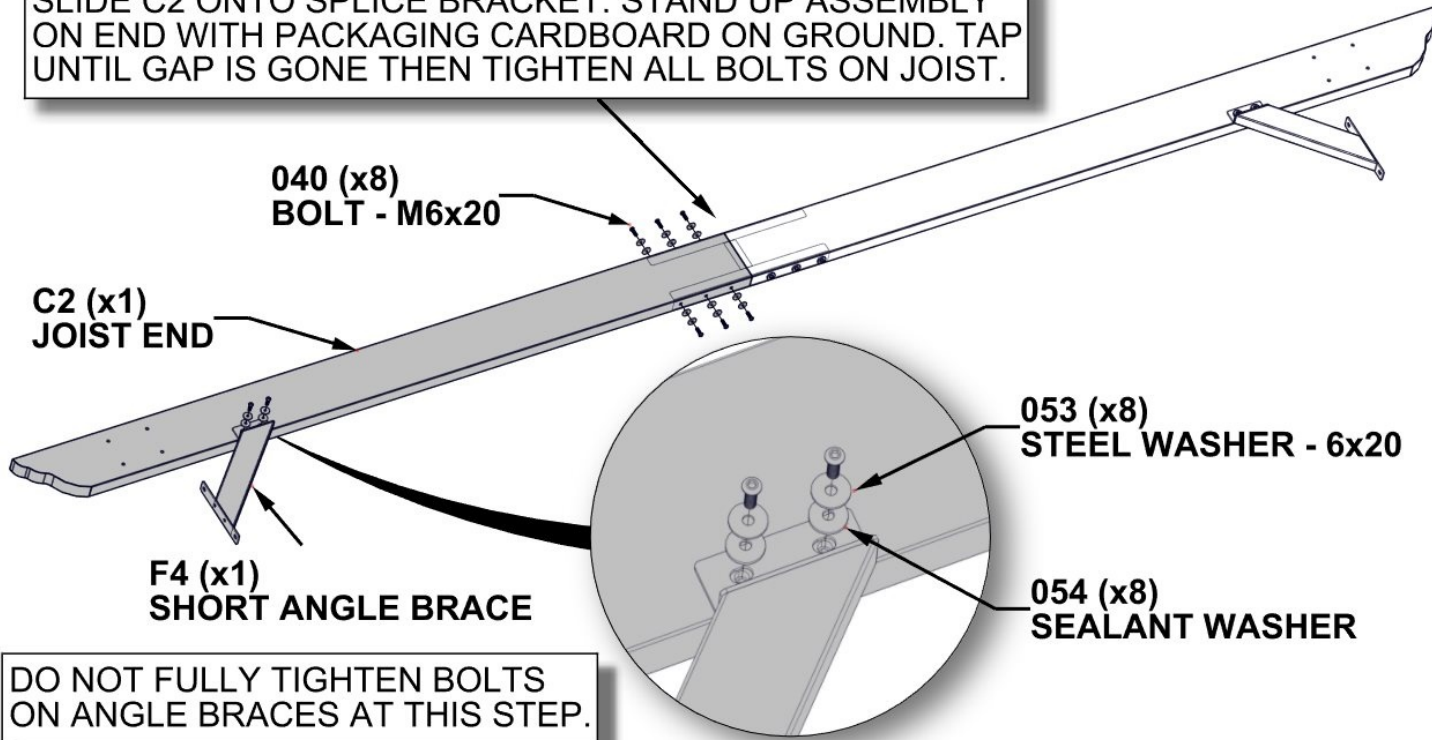


H101053 | STEEL WASHER
(16) | 6x20

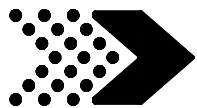


H101054 | SEALANT WASHER
(16)

SLIDE C2 ONTO SPLICE BRACKET. STAND UP ASSEMBLY ON END WITH PACKAGING CARDBOARD ON GROUND. TAP UNTIL GAP IS GONE THEN TIGHTEN ALL BOLTS ON JOIST.

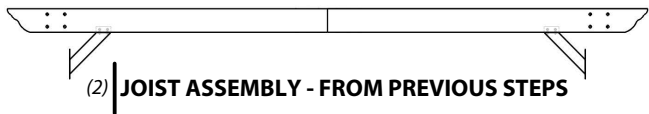


COMPLETE THIS STEP TWICE.



A1 POST - A4M01260
(2) | 6"x6"x88" (152x152x2235)

A2 POST - A4M01261
(2) | 6"x6"x88" (152x152x2235)



H101040 | HEX PAN HEAD
(8) | M6x1x20

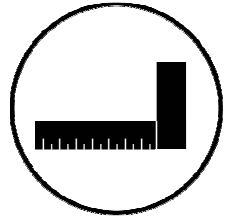
H101043 | HEX SOCKET SCREW
(16) | M6x1x20

H101053 | STEEL WASHER
(8) | 6x20

H101054 | SEALANT WASHER
(8) |



LAY PARTS ON GROUND OR SAW HORSES FOR EASE OF ASSEMBLY.



**043 (x8)
BOLT - M6x20**

ENSURE UPPER BOLT HOLES ARE FACING OUT ON POSTS.

JOIST ASSEMBLY (x1)

**040 (x4)
BOLT - M6x20**

**053 (x4)
STEEL WASHER - 6x20**

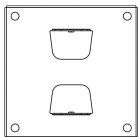
**A1 (x1)
POST**

**A2 (x1)
POST**

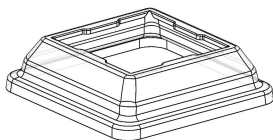
SQUARE UP POSTS TO JOIST AND FULLY TIGHTEN ALL BOLTS.

**054 (x4)
SEALANT WASHER**

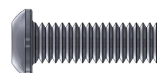
REPEAT THIS STEP FOR OTHER UPRIGHT ASSEMBLY.



G1 | POST FOOT PLATE - A4M01278
(4) | 2 1/8"x8 3/8"x8 3/8" (54x213x213)



G2 | POST FOOT - A4M01279
(4) | 2 5/8"x9 7/8"x9 7/8" (68x250x250)



H101040 | HEX PAN HEAD
(8) | M6x1x20



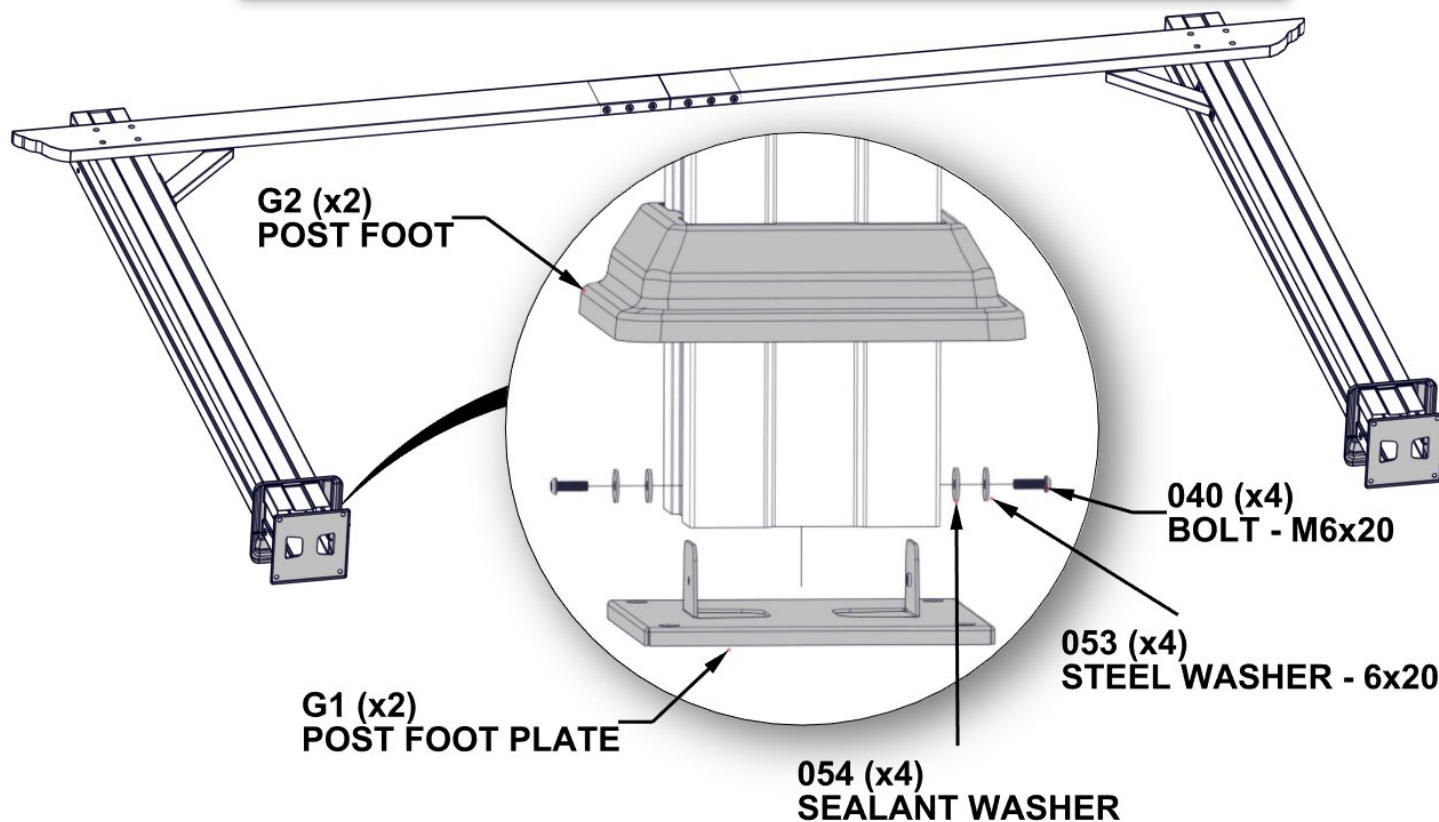
H101053 | STEEL WASHER
(8) | 6x20



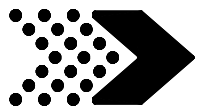
H101054 | SEALANT WASHER
(8)



SLIDE A POST FOOT ONTO EACH POST THEN BOLT ON POST FOOT PLATES TO EACH POST. VERTICAL TAB ON POST FOOT PLATE LINES UP WITH HOLES ON SIDE OF POST.



REPEAT THIS STEP FOR OTHER UPRIGHT ASSEMBLY.



B3 JOIST - A4M01264
(2) 1 3/8"x5 1/4"x71 1/4" (36x134x1811)



J1 SPLICE BRACKET - A4M01269
(4) 1 1/4"x5 1/8"x19 5/8" (33x131x500)



H101040 | HEX PAN HEAD
(24) | M6x1x20



H101053 | STEEL WASHER
(24) | 6x20



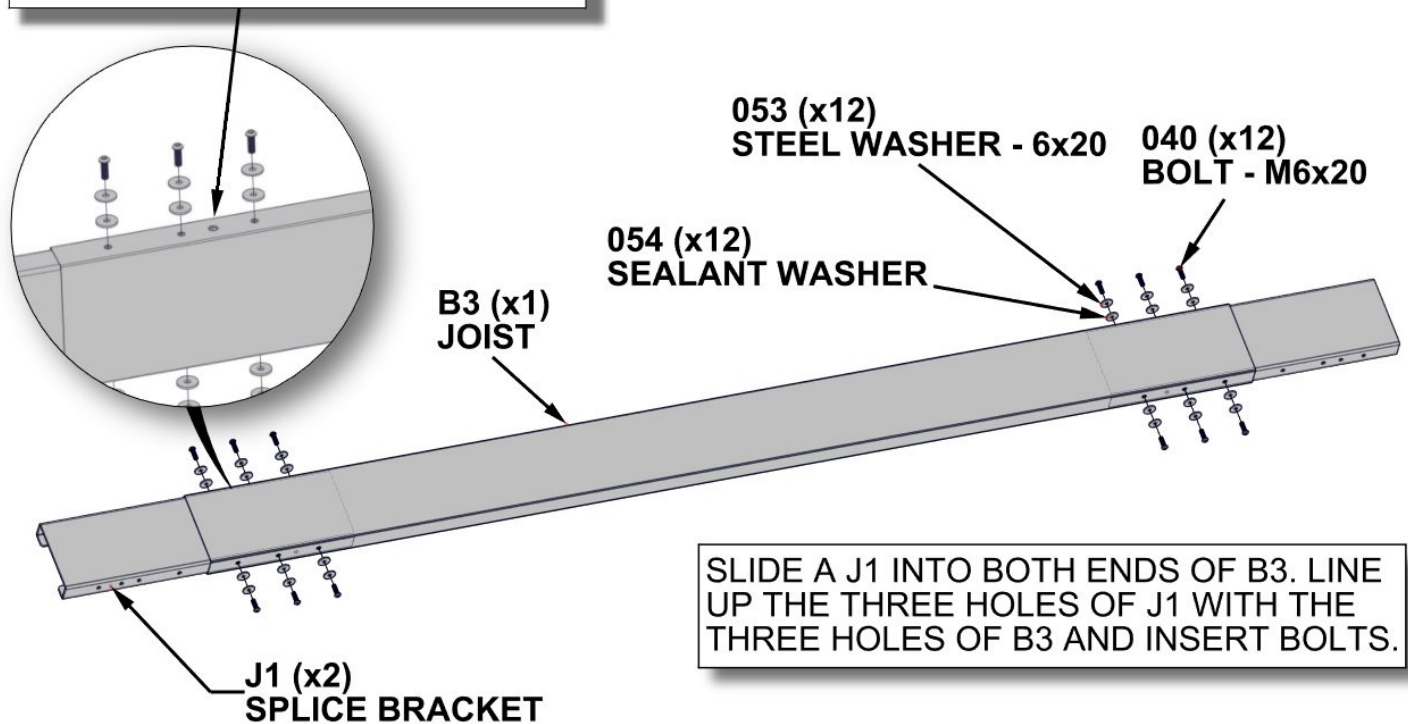
H101054 | SEALANT WASHER
(24)



DO NOT FULLY TIGHTEN BOLTS AT THIS STEP.



DO NOT INSERT A BOLT INTO THE LARGER HOLE ON EITHER END.



SLIDE A J1 INTO BOTH ENDS OF B3. LINE UP THE THREE HOLES OF J1 WITH THE THREE HOLES OF B3 AND INSERT BOLTS.

REPEAT THIS STEP FOR OTHER JOIST.



PERGOLA ASSEMBLY

STEP 6



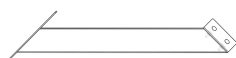
B1 JOIST END - A4M01262

(2) 1 3/8"x5 1/4"x60 1/2" (36x134x1537)



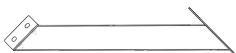
B2 JOIST END - A4M01263

(2) 1 3/8"x5 1/4"x60 1/2" (36x134x1537)



F1 LONG ANGLE BRACE - A4M01273

(2) 1 1/8"x4"x21 1/2" (30x101x546)



F2 LONG ANGLE BRACE - A4M01274

(2) 1 1/8"x4"x21 1/2" (30x101x546)



H101040 HEX PAN HEAD
(32) M6x1x20



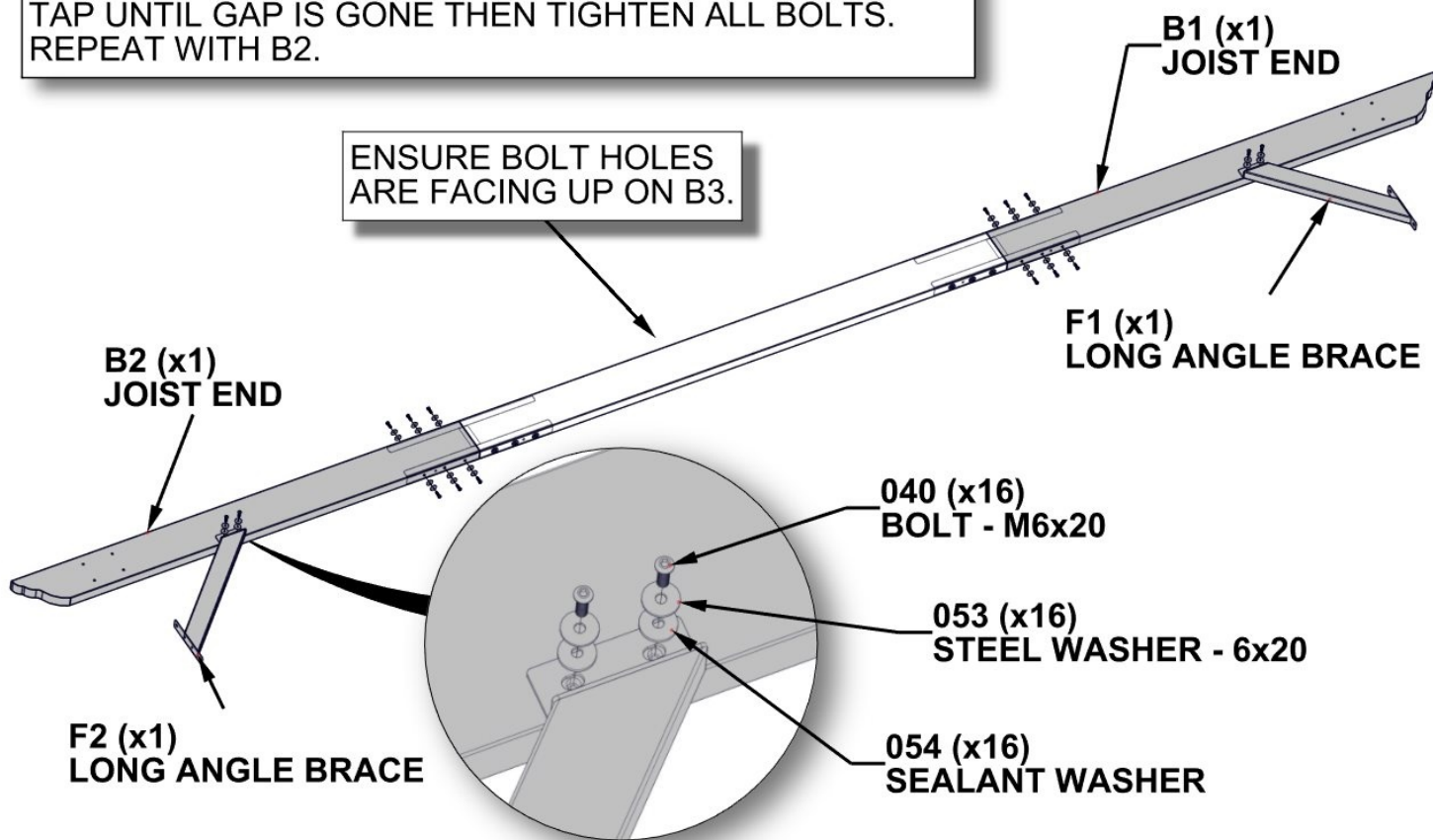
H101053 STEEL WASHER
(32) 6x20



H101054 SEALANT WASHER
(32)

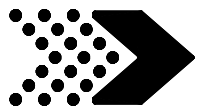
SLIDE B1 ONTO SPLICE BRACKET. STAND UP ASSEMBLY ON END WITH PACKAGING CARDBOARD ON GROUND. TAP UNTIL GAP IS GONE THEN TIGHTEN ALL BOLTS. REPEAT WITH B2.

ENSURE BOLT HOLES ARE FACING UP ON B3.



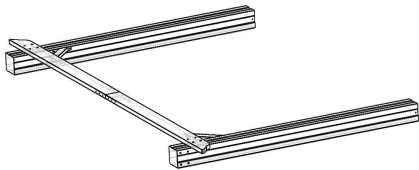
DO NOT FULLY TIGHTEN BOLTS ON ANGLE BRACES AT THIS STEP.

REPEAT THIS STEP FOR OTHER JOIST ASSEMBLY.

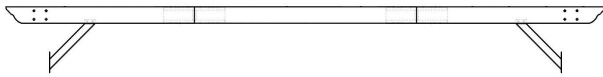


PERGOLA ASSEMBLY

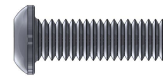
STEP 7



(2) UPRIGHT ASSEMBLY - FROM PREVIOUS STEPS



(2) JOIST ASSEMBLY - FROM PREVIOUS STEPS



H101040 | HEX PAN HEAD
(8) | M6x1x20



H101043 | HEX SOCKET SCREW
(16) | M6x1x20

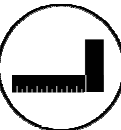


H101053 | STEEL WASHER
(8) | 6x20



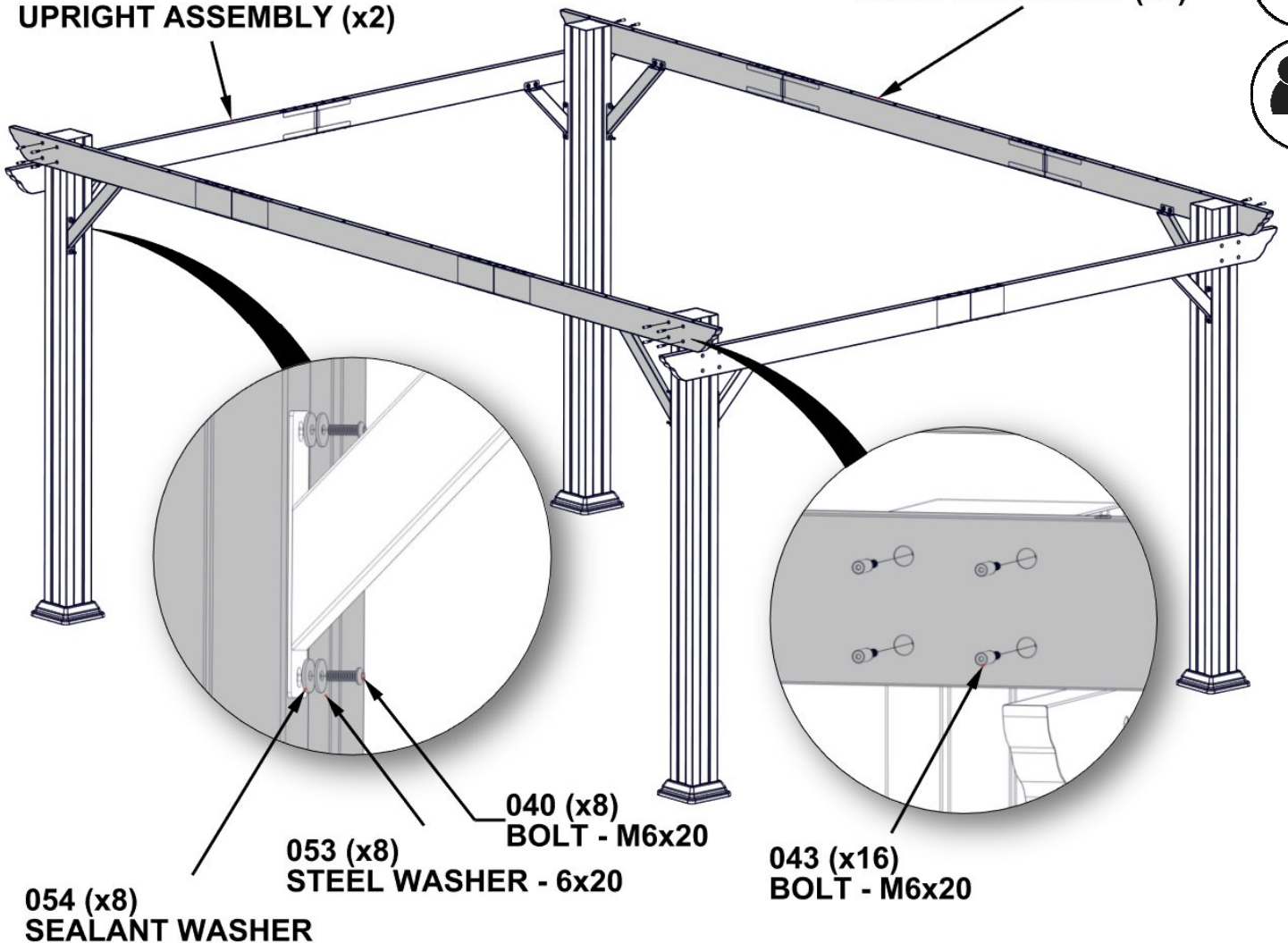
H101054 | SEALANT WASHER
(8) |

WITH BOTH UPRIGHT ASSEMBLIES STANDING, ONE JOIST ASSEMBLY IS BOLTED ON WITHOUT FULLY TIGHTENING BOLTS. ONCE ONE JOIST ASSEMBLY IS BOLTED ON, BOLT ON SECOND JOIST ASSEMBLY.



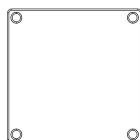
JOIST ASSEMBLY (x2)

UPRIGHT ASSEMBLY (x2)



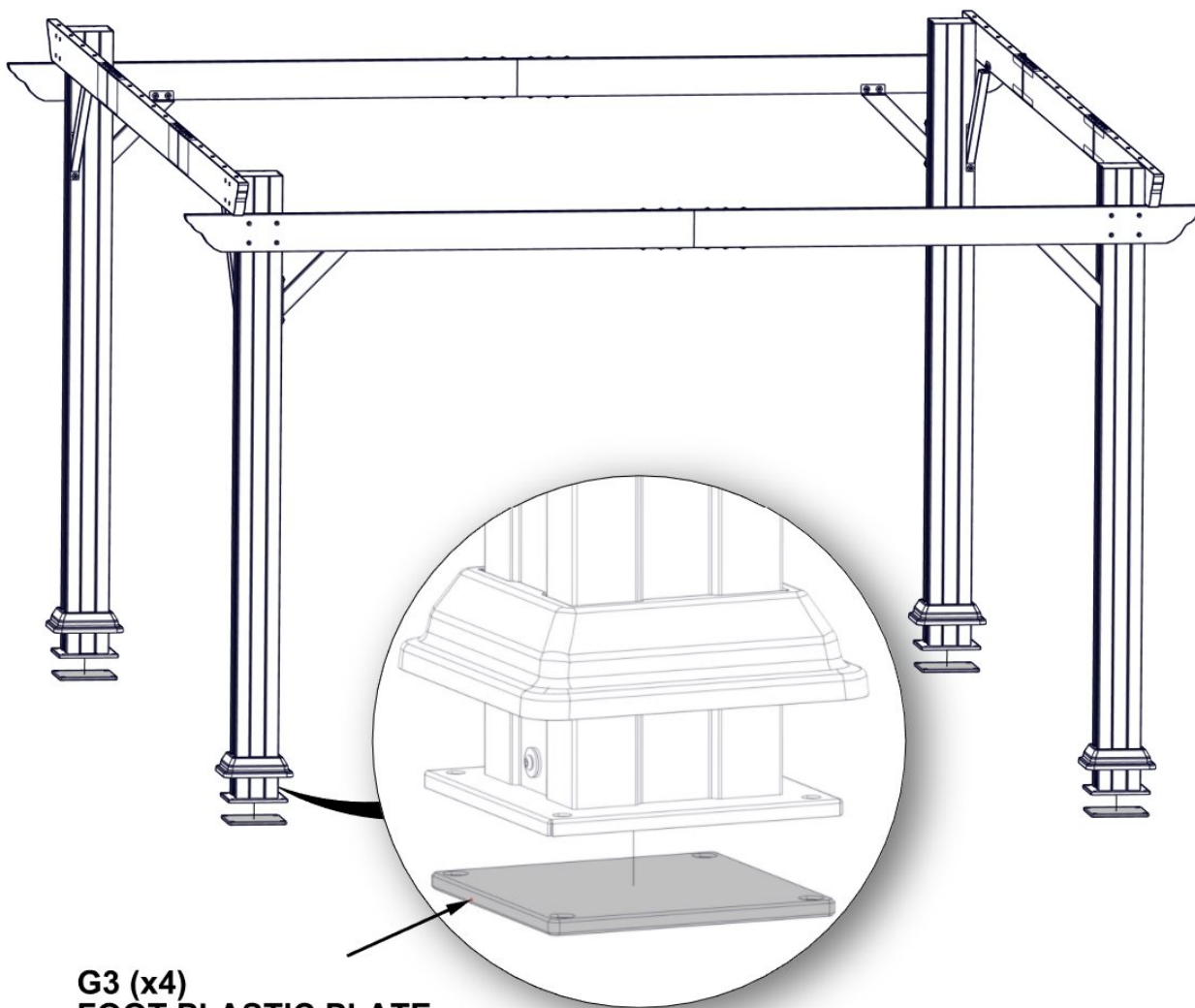
SQUARE UP ALL POSTS TO JOIST ASSEMBLIES AND FULLY TIGHTEN ALL BOLTS.

NOTE: A THIRD PERSON IS HELPFUL FOR THIS STEP.



G3 FOOT PLASTIC PLATE - A6P00464
(4) 3/8"x8 1/8"x8 1/8" (11x207x207)

LIFT UP EACH POST AND SLIDE A FOOT PLASTIC PLATE UNDER EACH POST FOOT PLATE.



**G3 (x4)
FOOT PLASTIC PLATE**



D1 | JOIST END - A4M01267
(4) | 1 5/8"x3 1/8"x72 1/8" (40x80x1831)



J3 | SPLICE BRACKET - A4M01271
(4) | 1 1/2"x3"x15 3/4" (37x77x400)



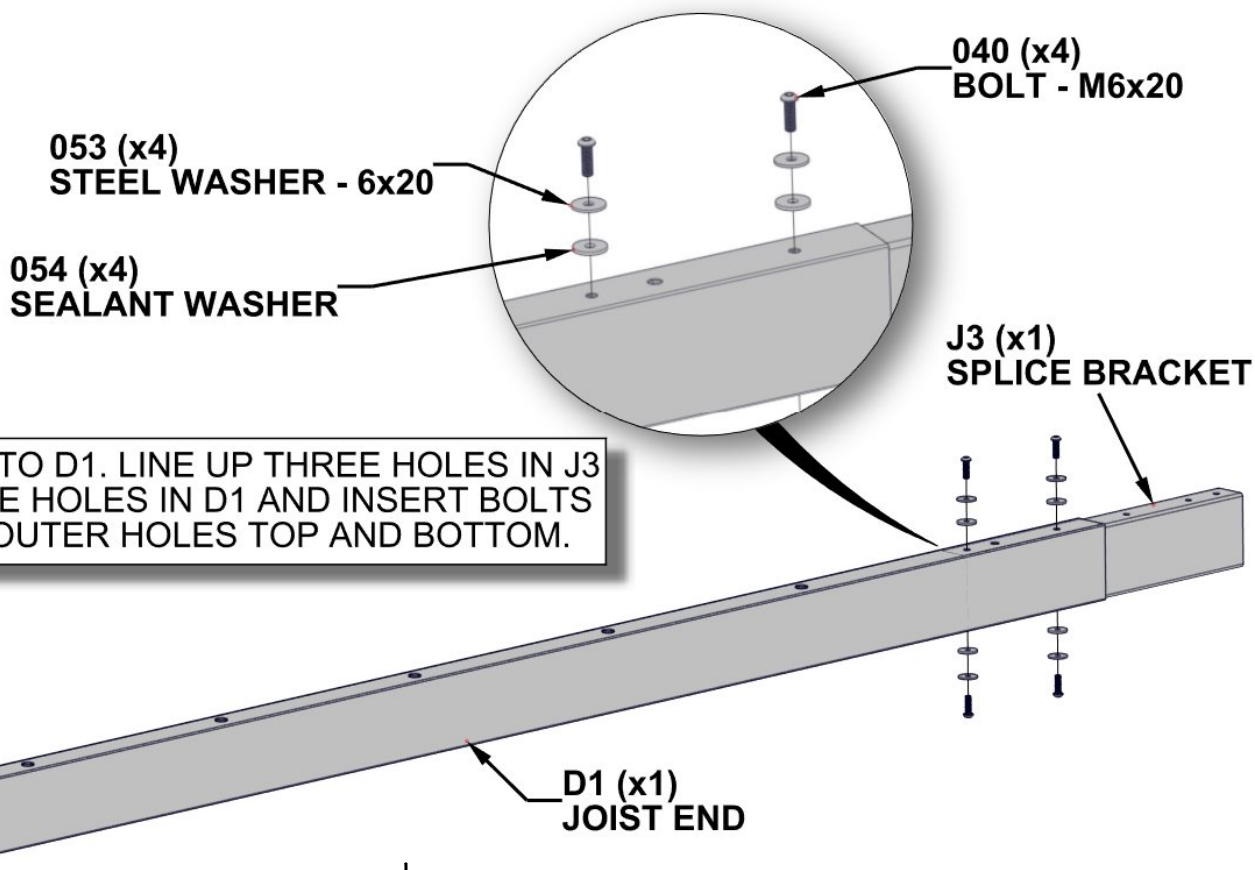
H101040 | HEX PAN HEAD
(16) | M6x1x20



H101053 | STEEL WASHER
(16) | 6x20



H101054 | SEALANT WASHER
(16)



SLIDE J3 INTO D1. LINE UP THREE HOLES IN J3 WITH THREE HOLES IN D1 AND INSERT BOLTS INTO TWO OUTER HOLES TOP AND BOTTOM.



DO NOT FULLY TIGHTEN BOLTS AT THIS STEP.

COMPLETE THIS STEP FOUR TIMES.



D1 JOIST END - A4M01267
(4) | 1 5/8"x3 1/8"x72 1/8" (40x80x1831)



H101040 HEX PAN HEAD
(16) | M6x1x20

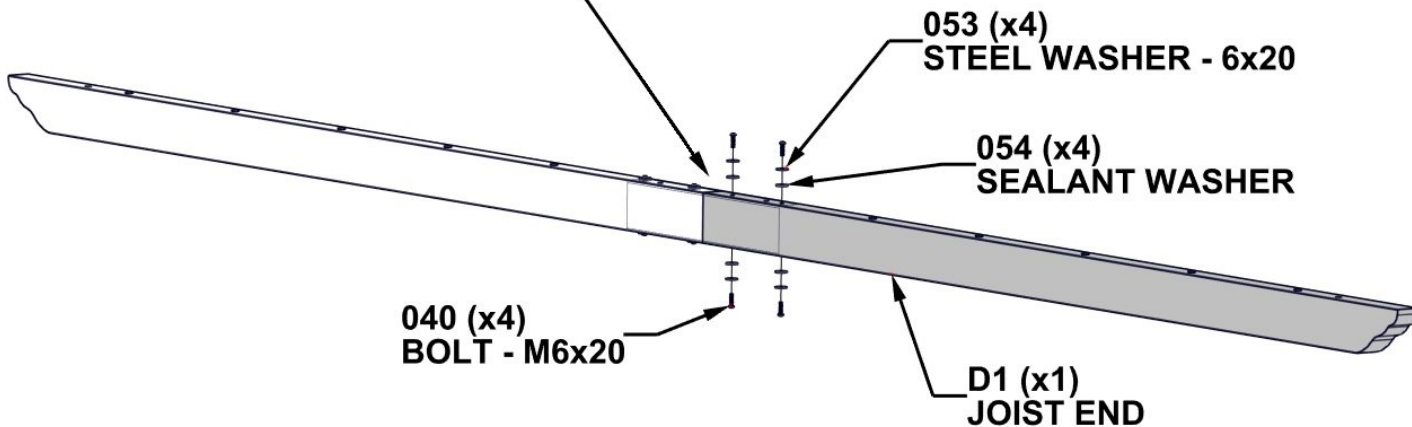


H101053 STEEL WASHER
(16) | 6x20

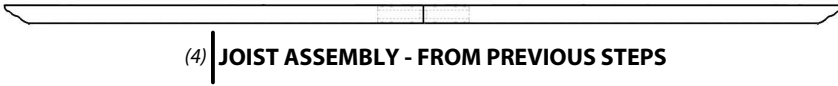
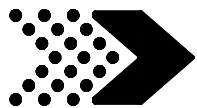


H101054 SEALANT WASHER
(16)

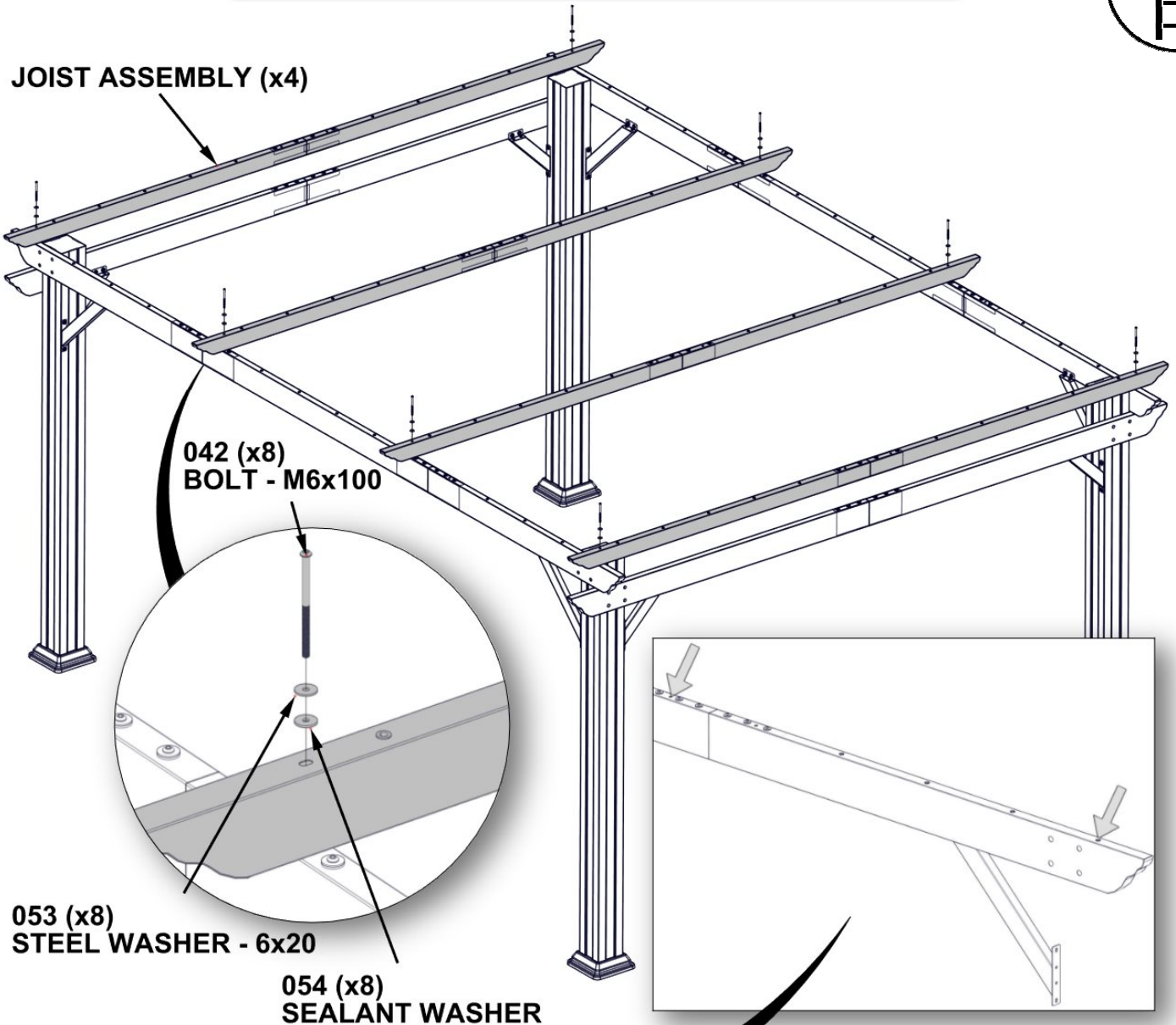
SLIDE D1 ONTO SPLICE BRACKET. STAND UP ASSEMBLY ON END WITH PACKAGING CARDBOARD ON GROUND. TAP UNTIL GAP IS GONE THEN TIGHTEN ALL BOLTS ON JOIST.



COMPLETE THIS STEP FOUR TIMES.



BOLT ONE SIDE OF JOISTS FIRST THEN BOLT OTHER SIDE. DO NOT FULLY TIGHTEN BOLTS AT THIS STEP.



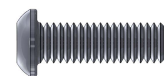
ENSURE JOIST ASSEMBLIES ARE SPACED OUT CORRECTLY AS PLACEMENT IS CRITICAL FOR PURLIN ATTACHMENT.



D2 JOIST END - A4M01268
(12) 1 5/8"x3 1/8"x72 1/8" (40x80x1831)



J3 SPLICE BRACKET - A4M01271
(12) 1 1/2"x3"x15 3/4" (37x77x400)



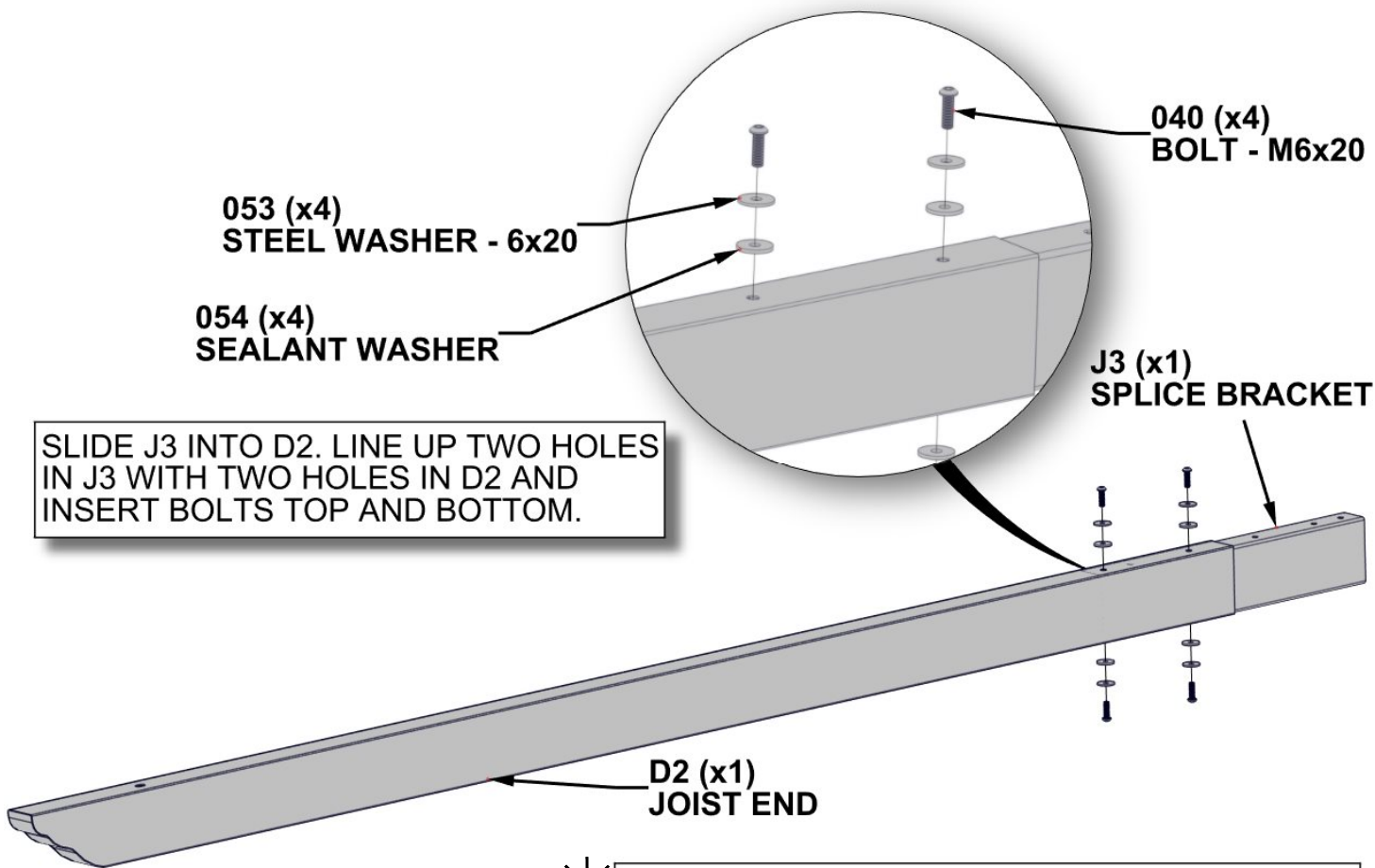
H101040 HEX PAN HEAD
(48) M6x1x20



H101053 STEEL WASHER
(48) 6x20



H101054 SEALANT WASHER
(48)

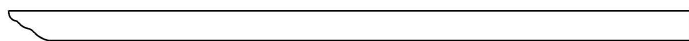


SLIDE J3 INTO D2. LINE UP TWO HOLES IN J3 WITH TWO HOLES IN D2 AND INSERT BOLTS TOP AND BOTTOM.



DO NOT FULLY TIGHTEN BOLTS AT THIS STEP.

COMPLETE THIS STEP TWELVE TIMES.



D2 JOIST END - A4M01268
(12) 1 5/8"x3 1/8"x72 1/8" (40x80x1831)



H101040 HEX PAN HEAD
(48) M6x1x20

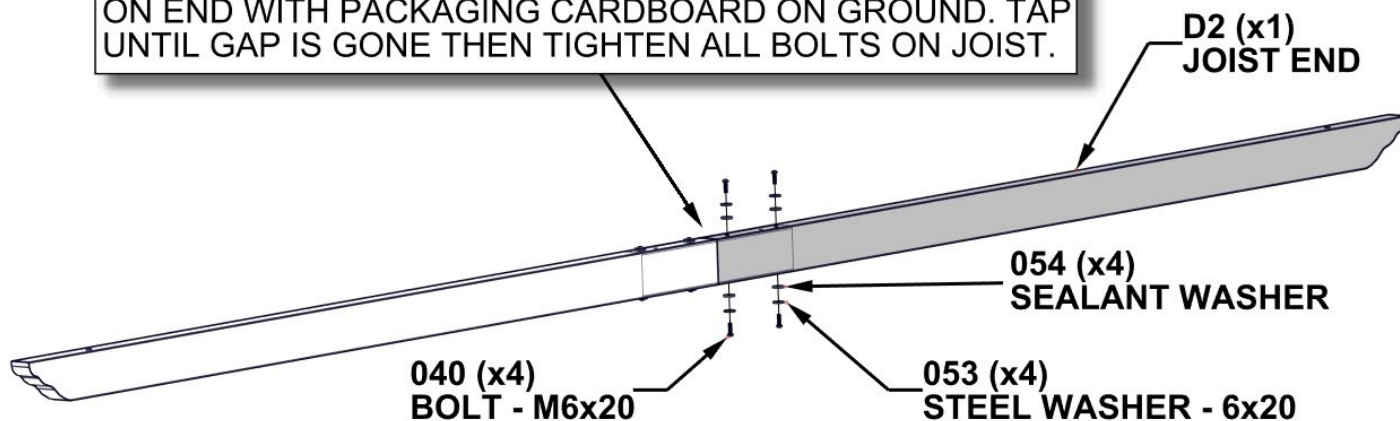


H101053 STEEL WASHER
(48) 6x20

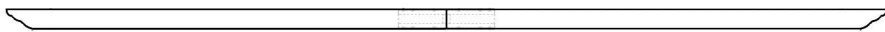


H101054 SEALANT WASHER
(48)

SLIDE D2 ONTO SPLICE BRACKET. STAND UP ASSEMBLY ON END WITH PACKAGING CARDBOARD ON GROUND. TAP UNTIL GAP IS GONE THEN TIGHTEN ALL BOLTS ON JOIST.



COMPLETE THIS STEP TWELVE TIMES.



(12) JOIST ASSEMBLY - FROM PREVIOUS STEPS



H101042 | HEX PAN HEAD
(24) | M6x1x100

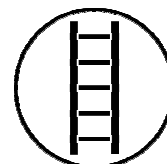


H101053 | STEEL WASHER
(24) | 6x20

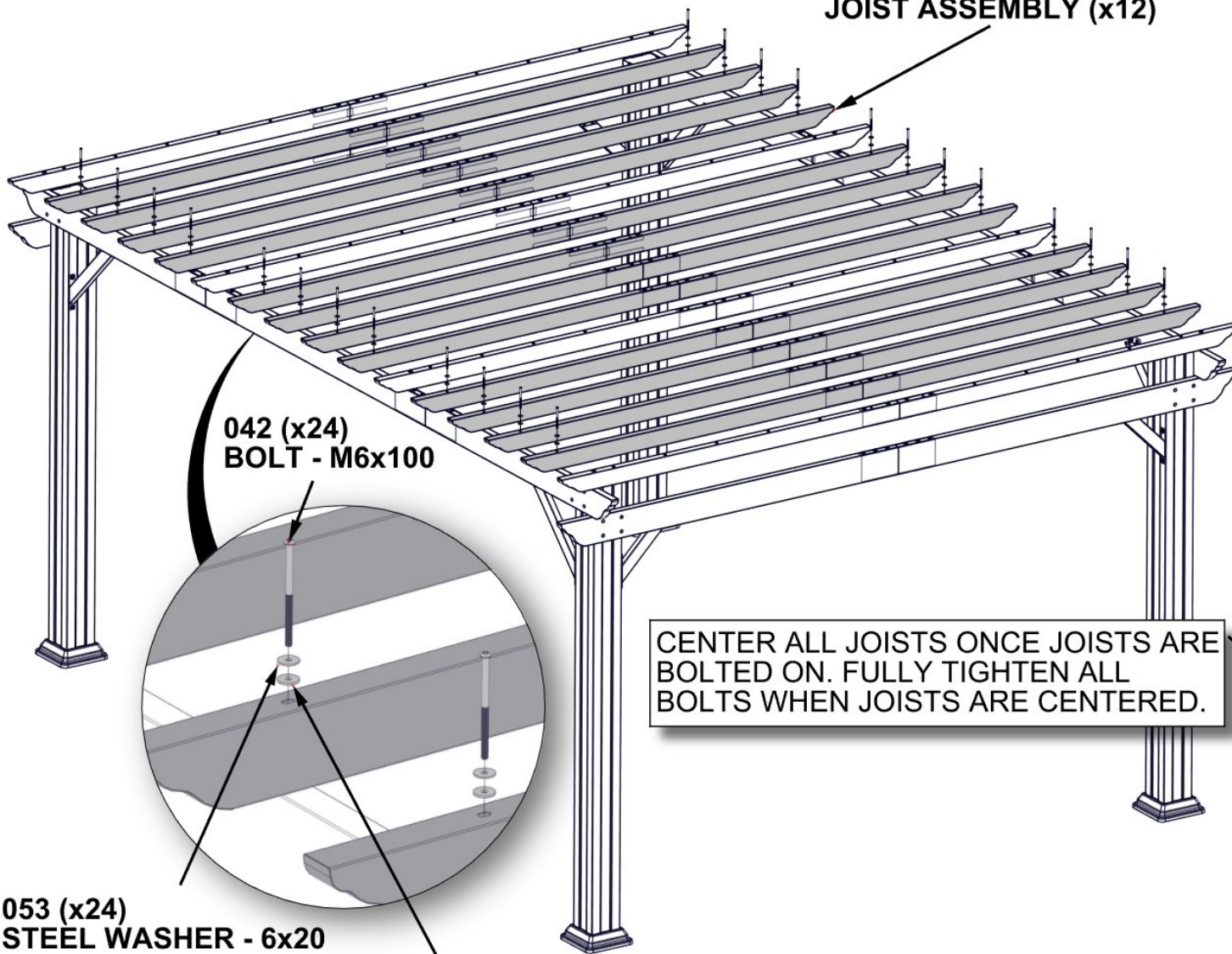


H101054 | SEALANT WASHER
(24)

BOLT ONE SIDE OF JOISTS FIRST THEN BOLT OTHER SIDE. DO NOT FULLY TIGHTEN BOLTS YET.



JOIST ASSEMBLY (x12)



042 (x24)
BOLT - M6x100

053 (x24)
STEEL WASHER - 6x20

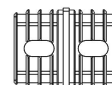
054 (x24)
SEALANT WASHER

CENTER ALL JOISTS ONCE JOISTS ARE BOLTED ON. FULLY TIGHTEN ALL BOLTS WHEN JOISTS ARE CENTERED.





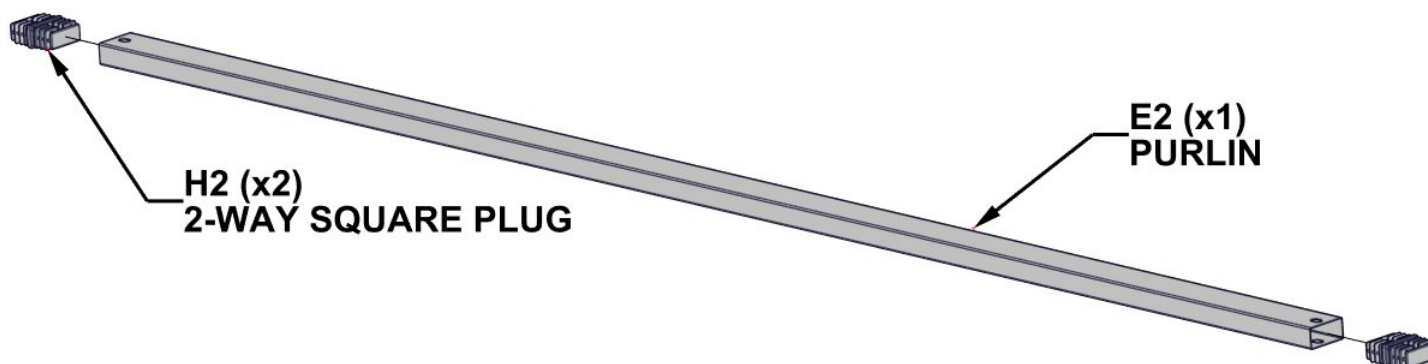
E2 PURLIN - A4M01277
(12) 3/4"x1 5/8"x60 3/8" (20x40x1534)



H2 2-WAY SQUARE PLUG- A6P00465
(24) 3/4"x1 5/8"x2" (20x40x52)

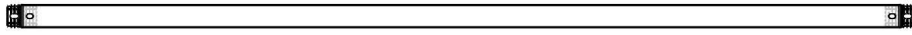
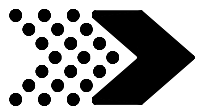


SLIDE A 2-WAY SQUARE PLUG INTO EACH END OF PURLIN.



COMPLETE THIS STEP TWELVE TIMES.

NOTE: A RUBBER MALLET MAY BE HELPFUL TO GET THE 2-WAY SQUARE PLUGS INTO THE ENDS OF THE PURLIN.



(12) PURLIN ASSEMBLY - FROM PREVIOUS STEPS



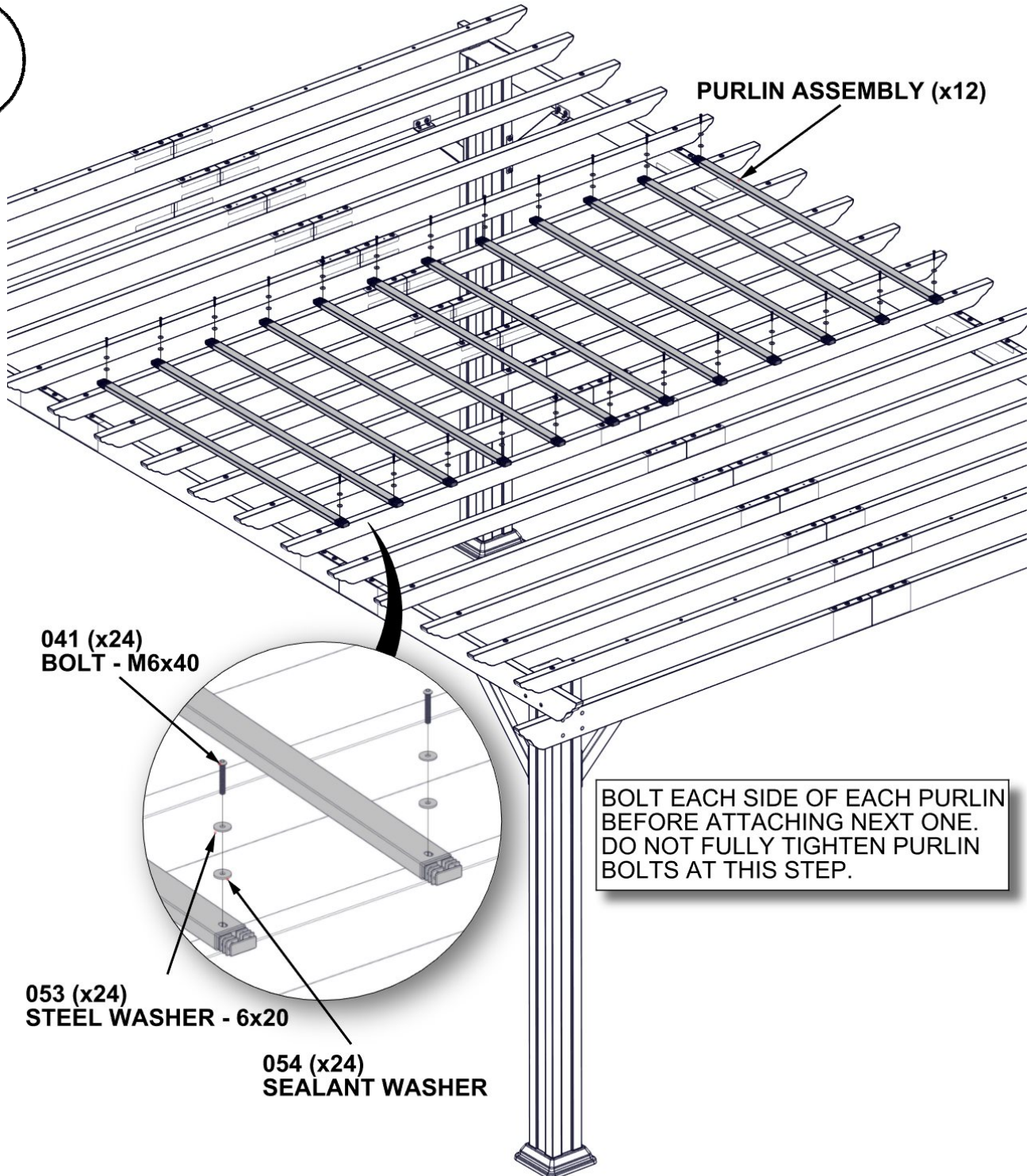
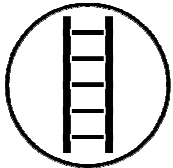
H101041 | HEX PAN HEAD
(24) | M6x1x40



H101053 | STEEL WASHER
(24) | 6x20



H101054 | SEALANT WASHER
(24)



PURLIN ASSEMBLY (x12)

041 (x24)
BOLT - M6x40

053 (x24)
STEEL WASHER - 6x20

054 (x24)
SEALANT WASHER

BOLT EACH SIDE OF EACH PURLIN BEFORE ATTACHING NEXT ONE. DO NOT FULLY TIGHTEN PURLIN BOLTS AT THIS STEP.



E1 | PURLIN END - A4M01272
(24) | 3/4"x1 5/8"x65 3/4" (20x40x1670)



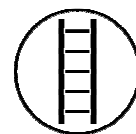
H101041 | HEX PAN HEAD
(24) | M6x1x40



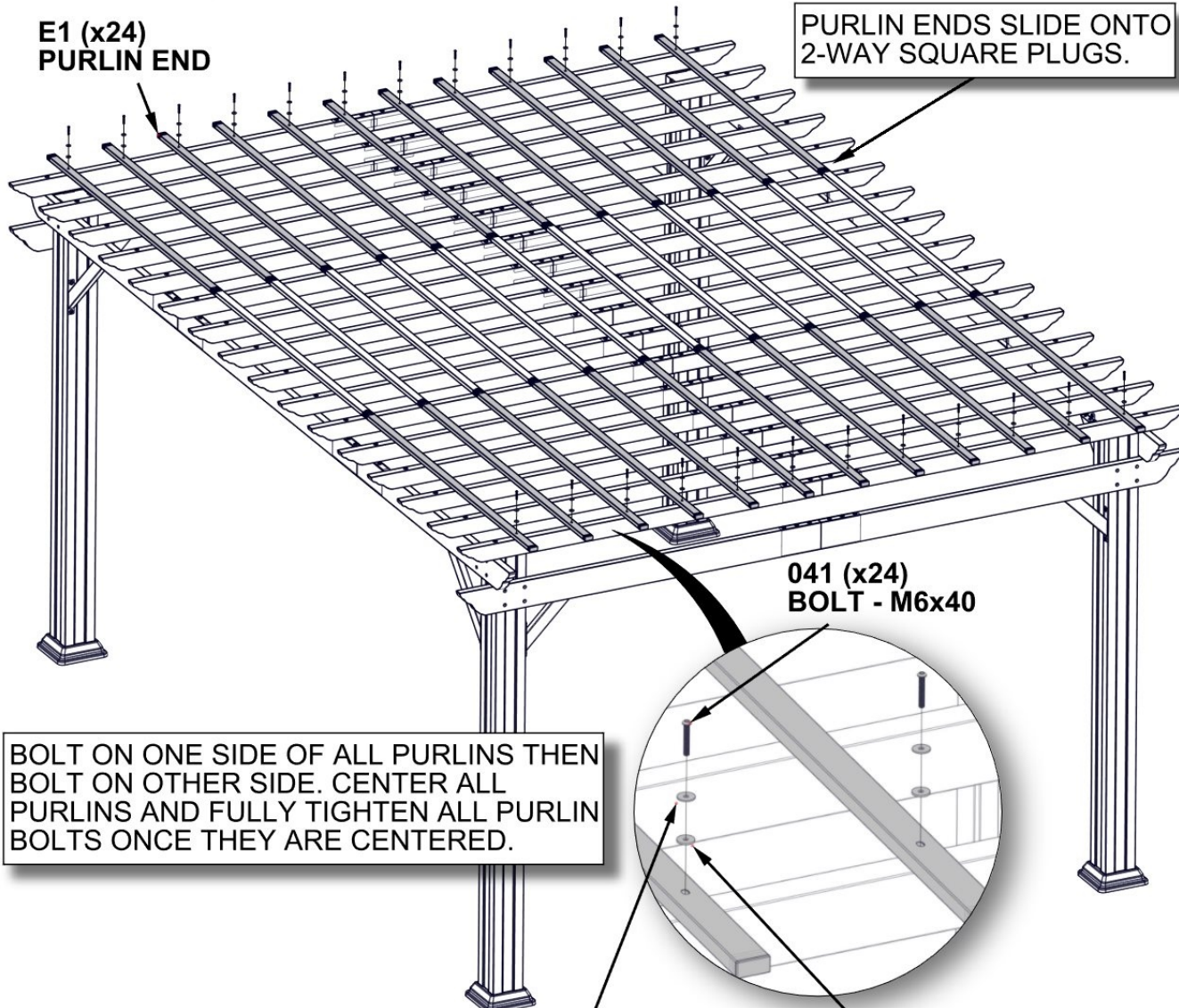
H101053 | STEEL WASHER
(24) | 6x20



H101054 | SEALANT WASHER
(24)




NOTE: A RUBBER Mallet MAY BE HELPFUL TO GET THE PURLIN ENDS ONTO THE 2-WAY SQUARE PLUGS.



**E1 (x24)
PURLIN END**

**PURLIN ENDS SLIDE ONTO
2-WAY SQUARE PLUGS.**

**041 (x24)
BOLT - M6x40**

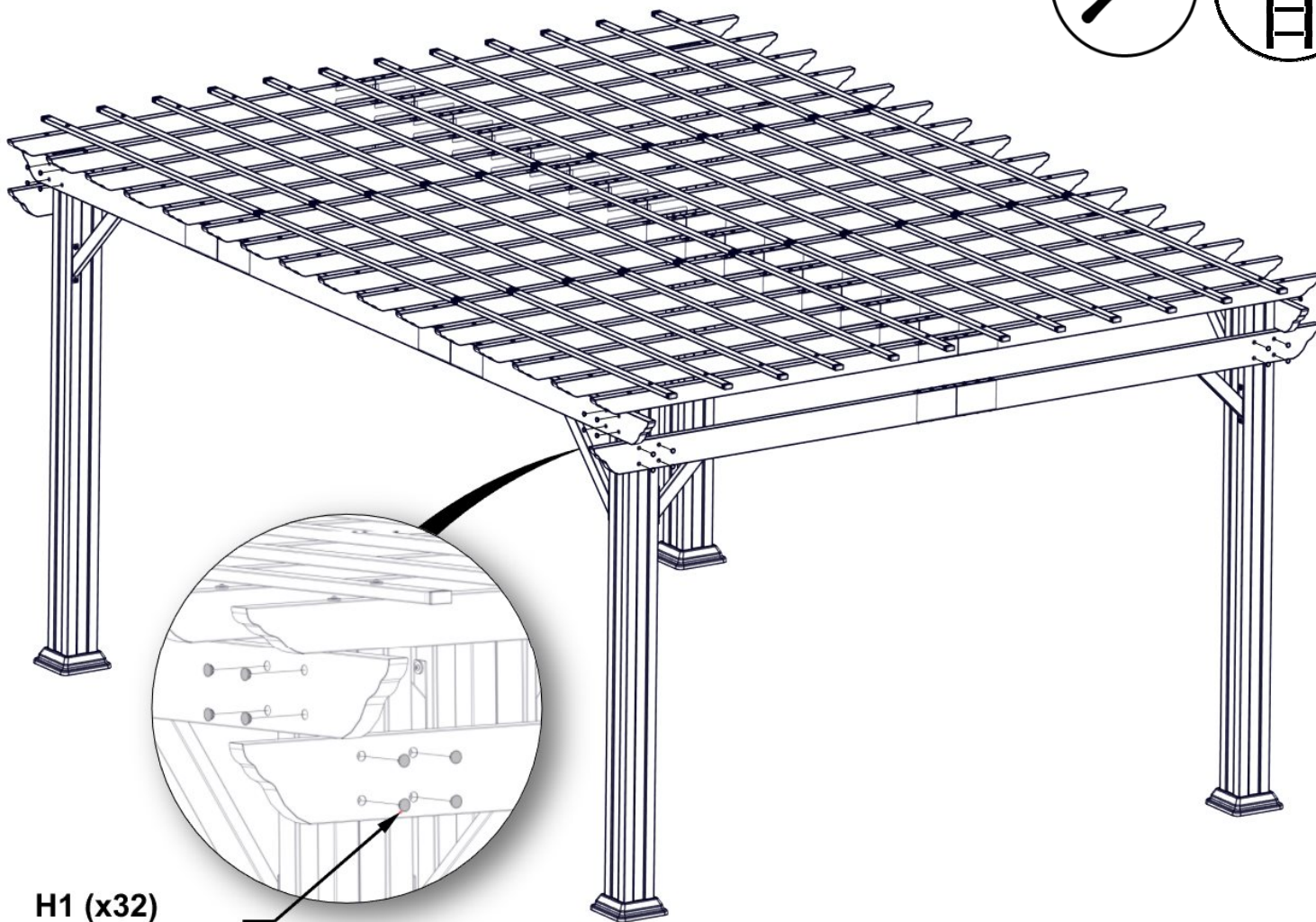
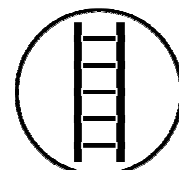
 **BOLT ON ONE SIDE OF ALL PURLINS THEN BOLT ON OTHER SIDE. CENTER ALL PURLINS AND FULLY TIGHTEN ALL PURLIN BOLTS ONCE THEY ARE CENTERED.**

**053 (x24)
STEEL WASHER - 6x20**

**054 (x24)
SEALANT WASHER**

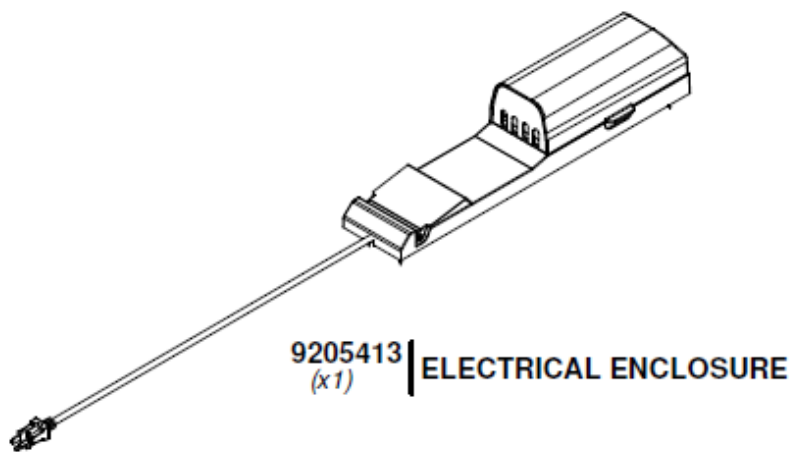


H1 | HOLE COVER - A4M01352
(32)



H1 (x32)
HOLE COVER

USE A SMALL PIECE OF WOOD TO TAP HOLE COVERS IN WITH A RUBBER MALLET.



FOR ELECTRICAL ENCLOSURE INSTALLATION REFER TO ASSEMBLY INSTRUCTIONS THAT COMES PACKAGED WITH THE ELECTRICAL ENCLOSURE KIT. INSTALL ON ANY POST THAT IS DESIRED. FOLLOW DIRECTIONS FOR PROPER INSTALLATION.