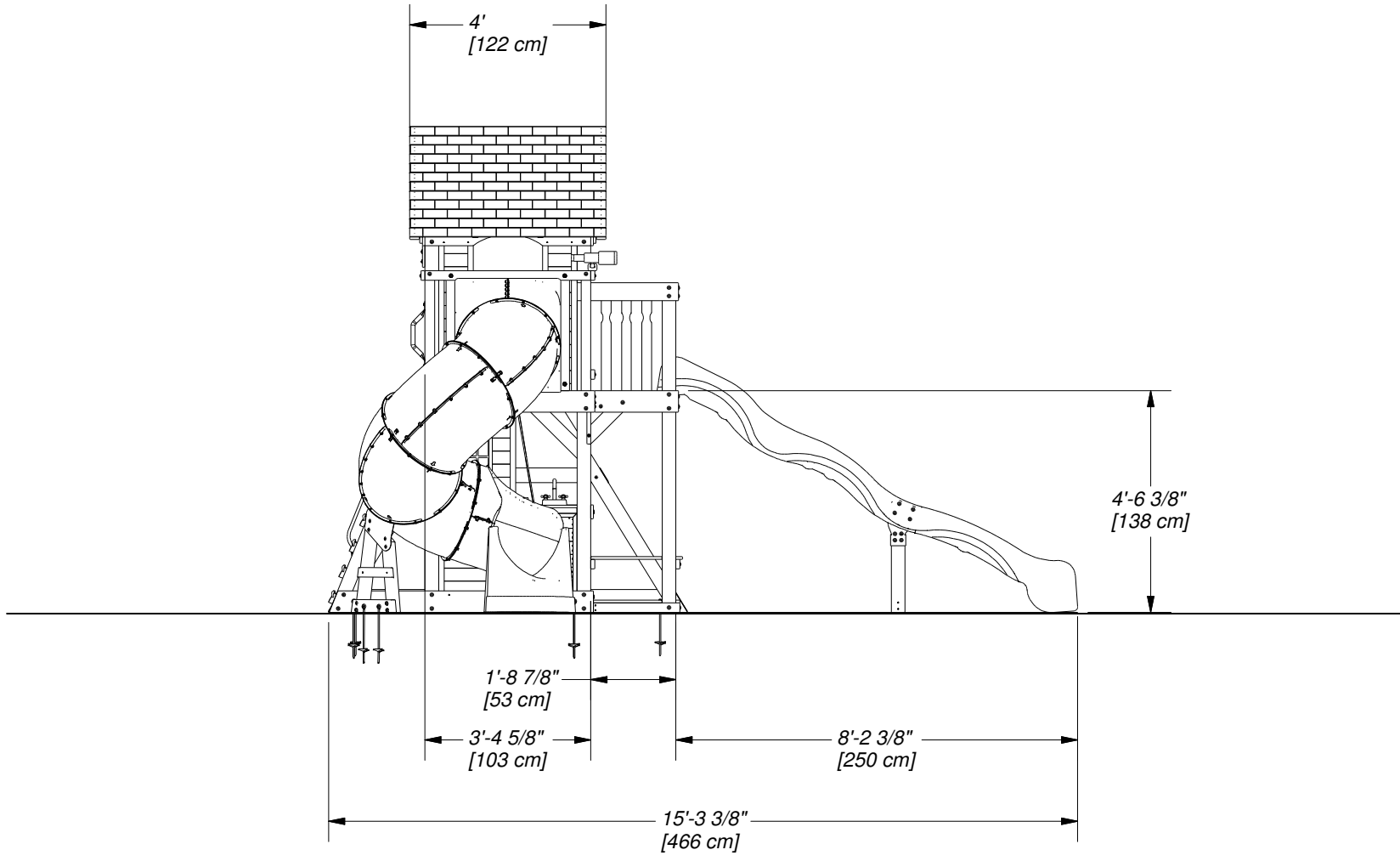
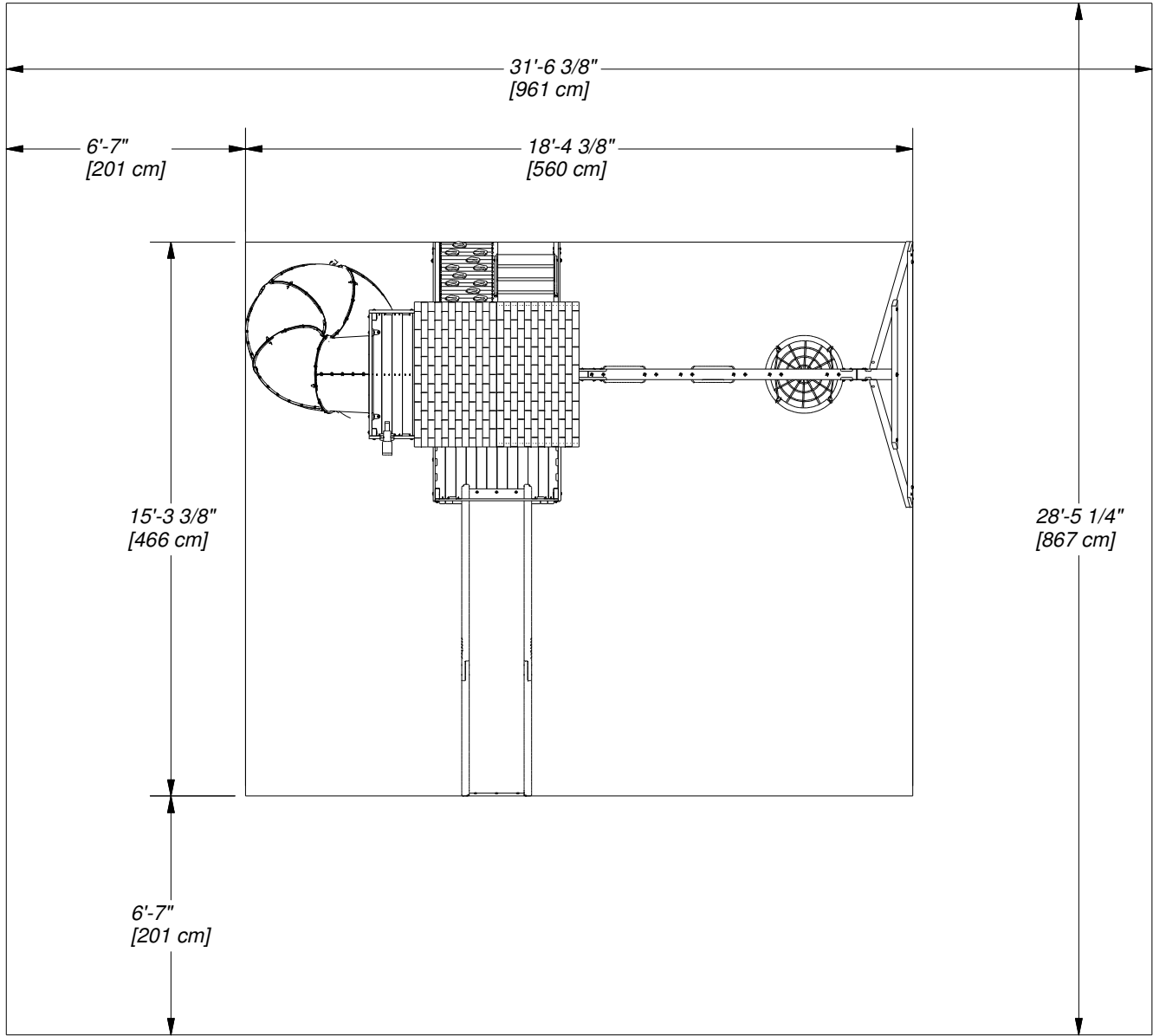


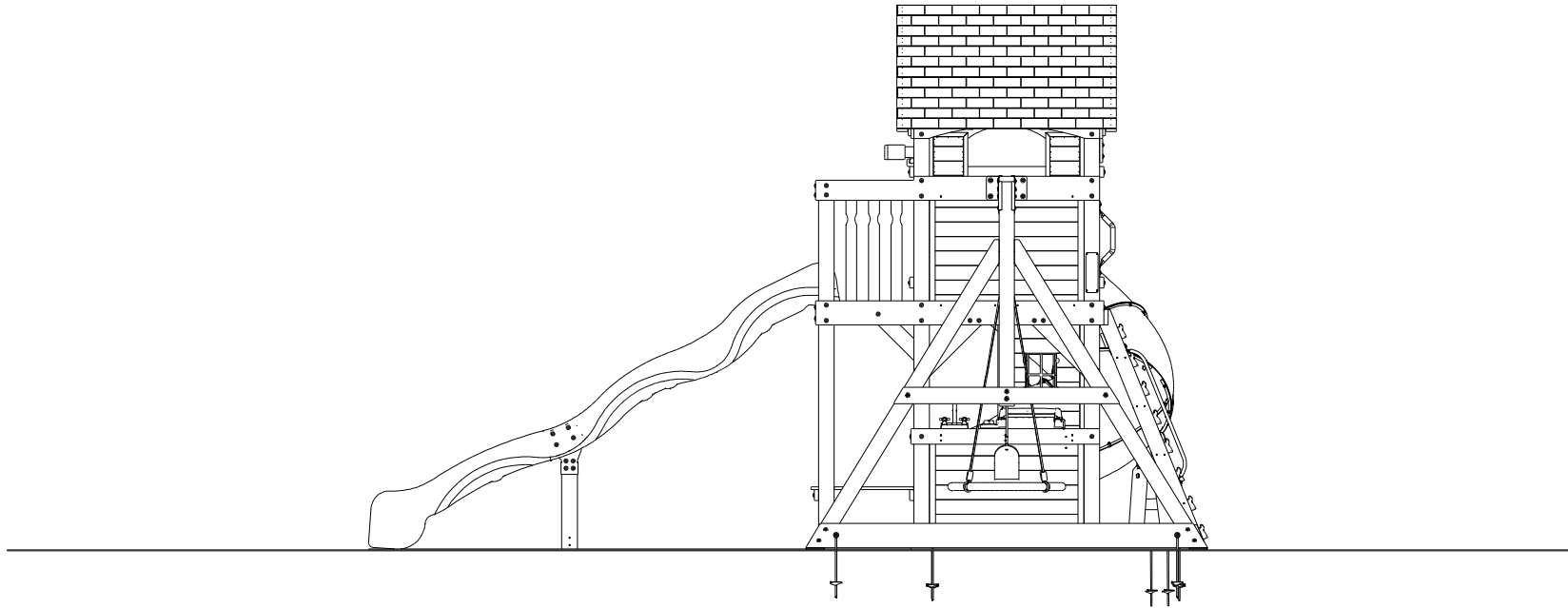
DRAWN BY WKS	DESCRIPTION CEDAR COVE FORT	
DATE 8/1/2019	PART NUMBER 2001053 CEDAR COVE FOOTPRINT	REV



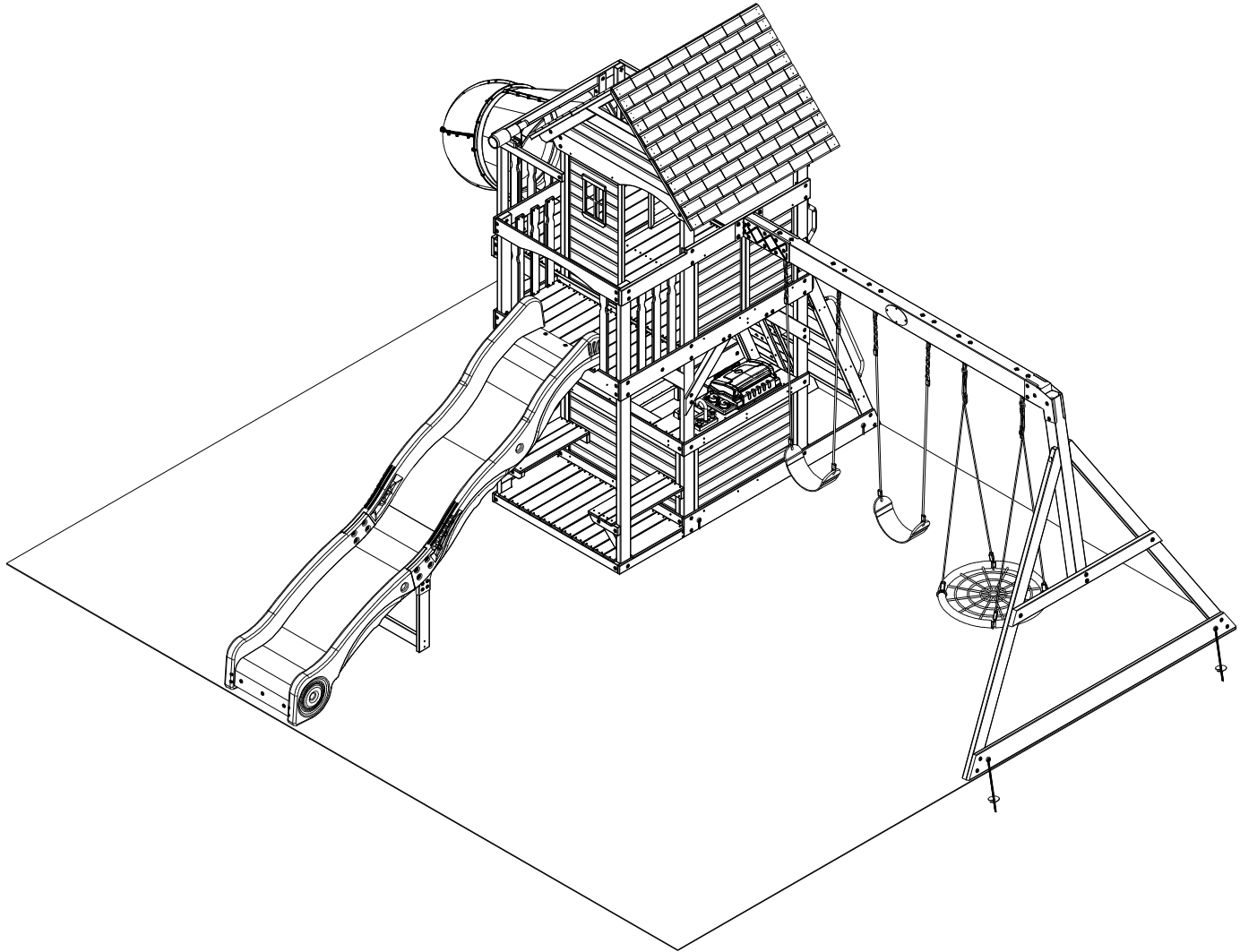
DRAWN BY WKS	DESCRIPTION CEDAR COVE FORT	
DATE 8/1/2019	PART NUMBER 2001053 CEDAR COVE FOOTPRINT	REV



DRAWN BY	WKS	DESCRIPTION	CEDAR COVE FORT
DATE	8/1/2019	PART NUMBER	2001053 CEDAR COVE FOOTPRINT
		REV	



<small>DRAWN BY</small>	WKS	<small>DESCRIPTION</small>	CEDAR COVE FORT
<small>DATE</small>	8/1/2019	<small>PART NUMBER</small>	2001053 CEDAR COVE FOOTPRINT
		<small>REV</small>	



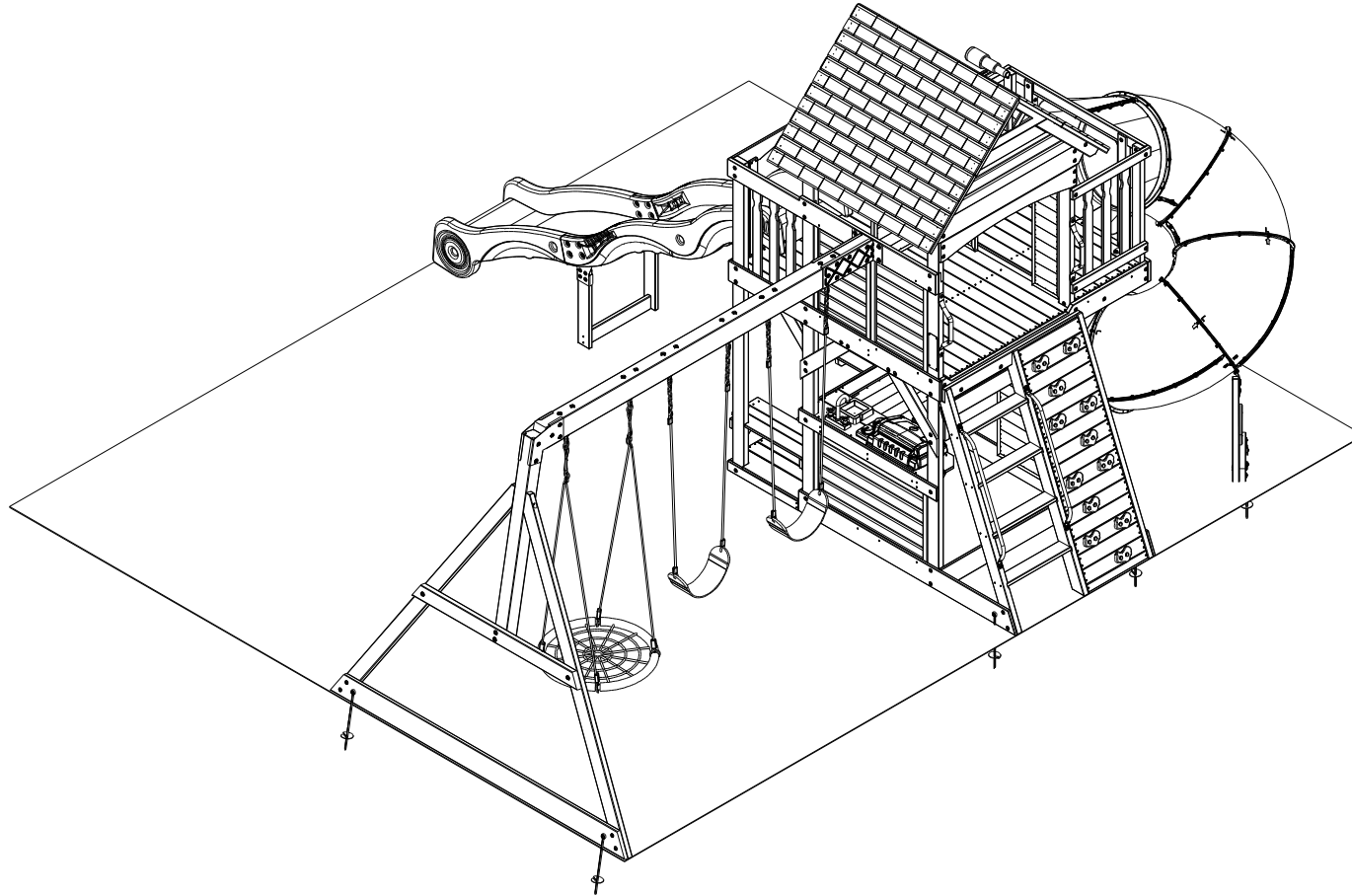
DRAWN BY	WKS	DESCRIPTION	CEDAR COVE FORT
DATE	8/1/2019	PART NUMBER	2001053 CEDAR COVE FOOTPRINT
		REV	

Part Number

2001053 CEDAR COVE FOOTPRINT

Sheet

6 OF 6



DRAWN BY	WKS	DESCRIPTION	CEDAR COVE FORT
DATE	8/1/2019	PART NUMBER	2001053 CEDAR COVE FOOTPRINT
		REV	