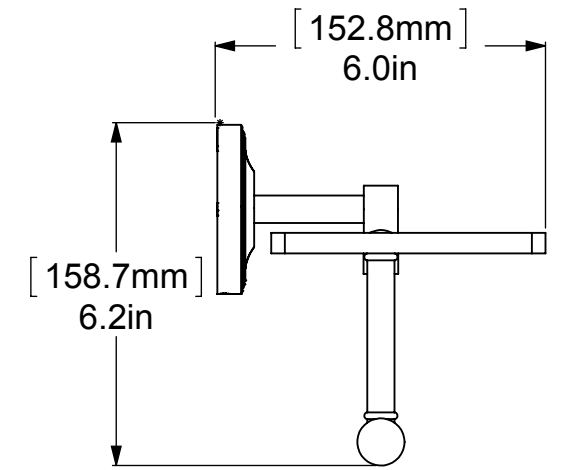
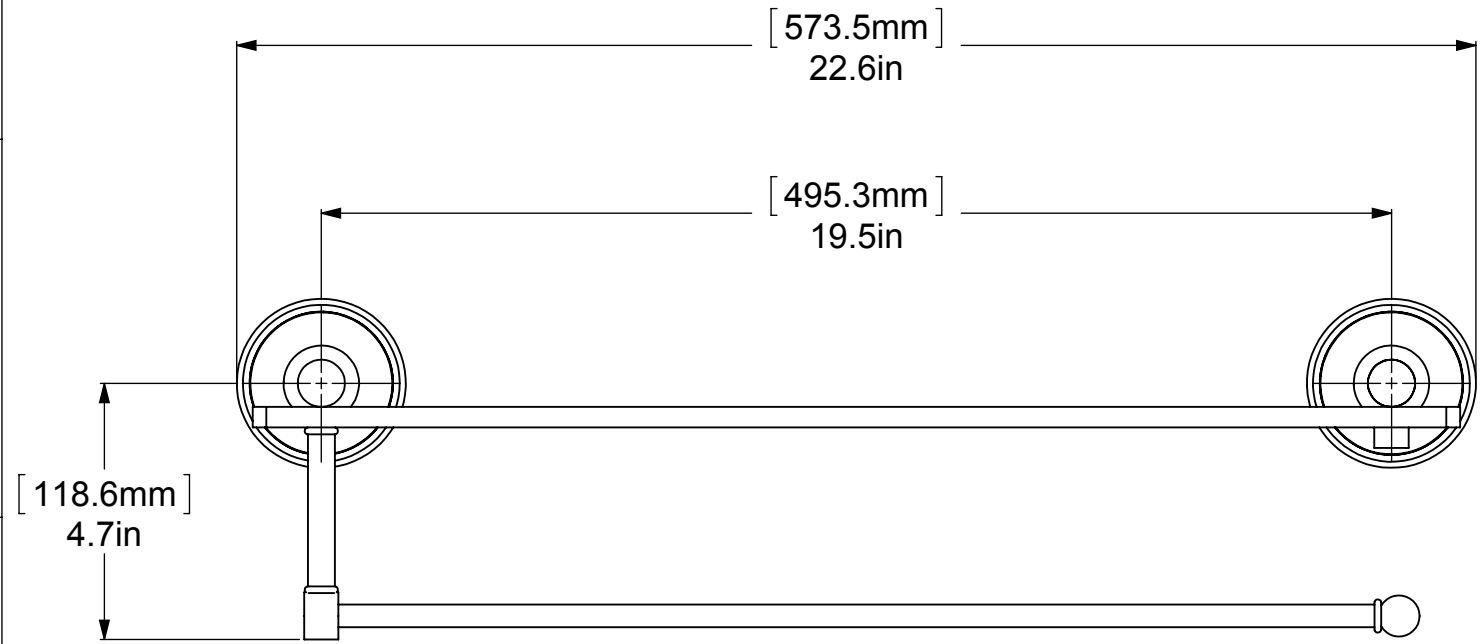
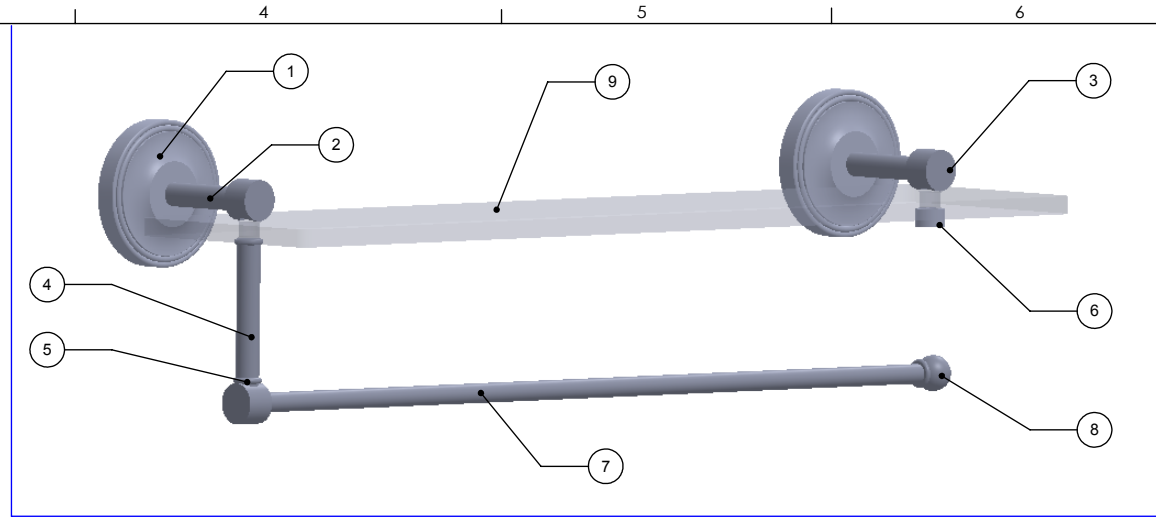
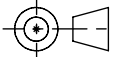



ITEM NO.	P/N	DESCRIPTION	QTY.
1	BPPR	BACKPLATE	2
2	TU12-2	TUBE SUPPORT TOP	2
3	HBBTT-78	HUB	3
4	TU12-3	VERTICAL TUBE	2
5	CRRD-12	CHECK RING	4
6	CARD-58	CAP	1
7	TU12-13.5	LOWER TUBE	1
8	BL1T-34	BALL	1
9	GLRT-22	GLASS	1



DRAWN 11-18-15 I.M		MATERIAL:	FINISH	TBD
CHECKED 11-18-15 P.D		DESCRIPTION:	QUANTITY	TBD
APPROVED 11-18-15 R.A		PRBP-1PT-22	DRAWING No.	
 THIRD ANGLE PROJECTION			PRBP-1PT-22	
COPYRIGHT © Allied Brass 2015			SCALE	1:3.5
			SHEET: 01	A4