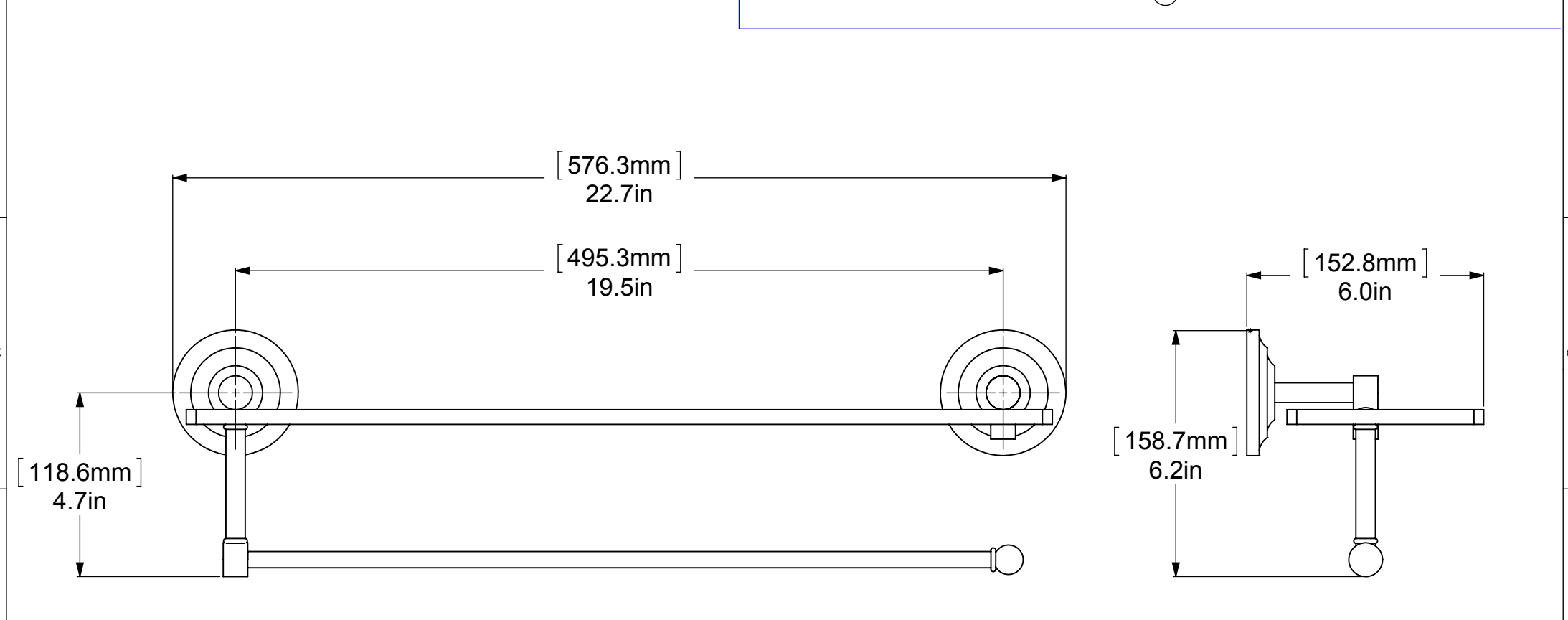
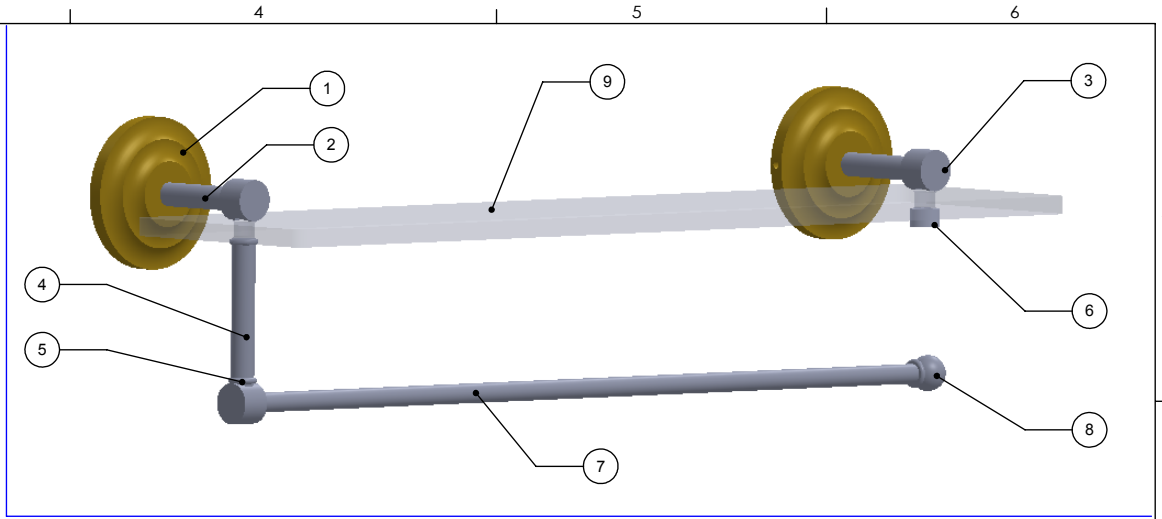
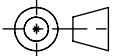



ITEM NO.	P/N	DESCRIPTION	QTY.
1	BPQN	BACKPLATE	2
2	TU12-2	TUBE SUPPORT TOP	2
3	HBBTT-78	HUB	3
4	TU12-3	VERTICAL TUBE	2
5	CRRD-12	CHECK RING	4
6	CARD-58	CAP	1
7	TU12-13.5	LOWER TUBE	1
8	BL1T-34	BALL	1
9	GLRT-22	GLASS	1



DRAWN 11-17-15 I.M		MATERIAL:	FINISH	TBD
CHECKED 11-17-15 P.D		DESCRIPTION:  PQN-1PT-22	QUANTITY	TBD
APPROVED 11-17-15 R.A			DRAWING No. PQN-1PT-22	
COPYRIGHT © Allied Brass 2015  THIRD ANGLE PROJECTION			REV 0	
			SCALE	1:3.5