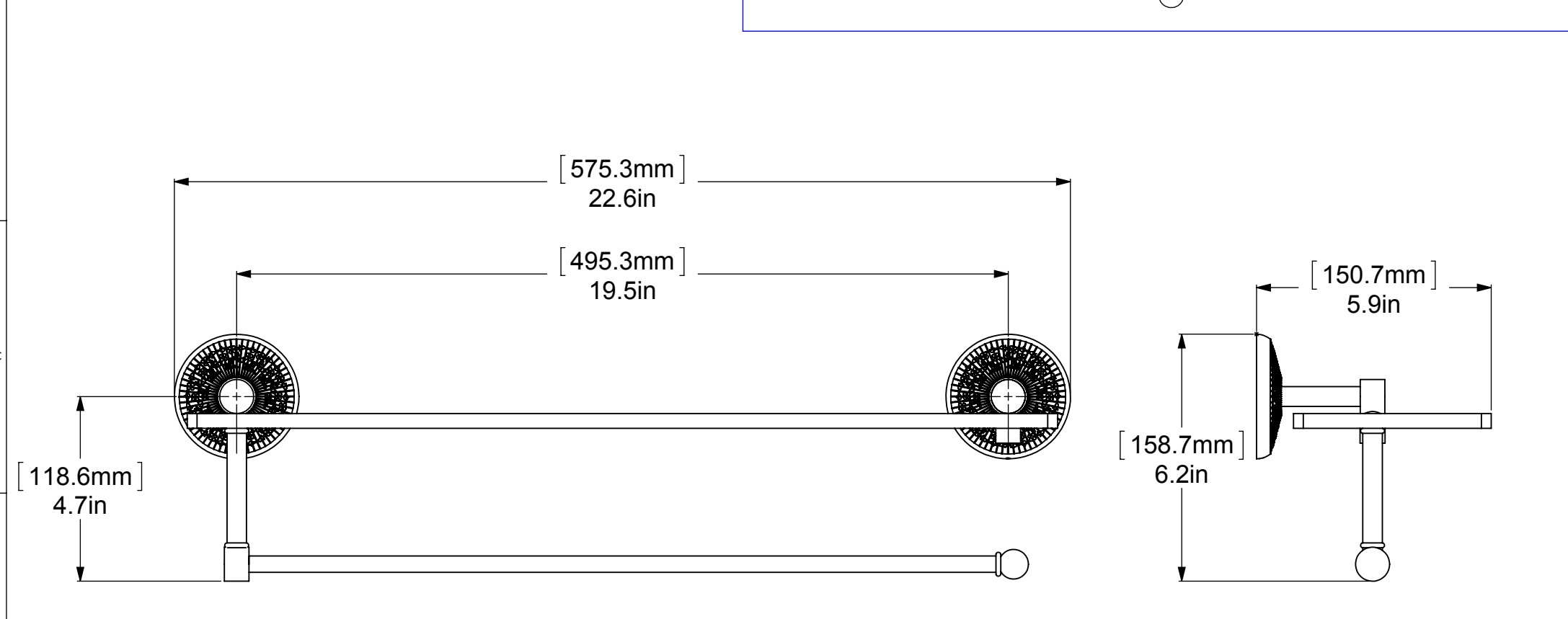
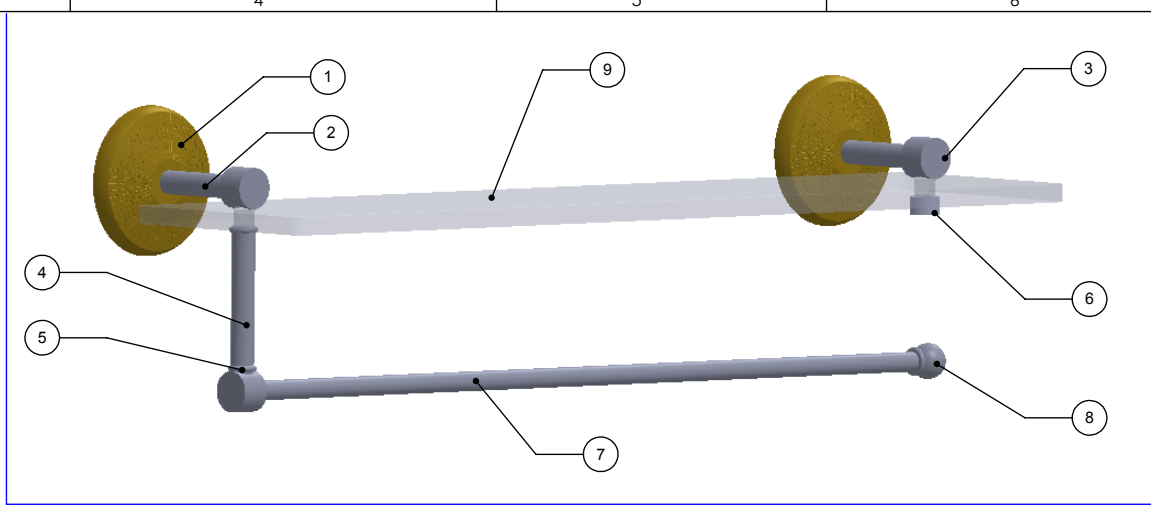
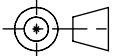



ITEM NO.	P/N	DESCRIPTION	QTY.
1	BPMC	BACKPLATE	2
2	TU12-2	TUBE SUPPORT TOP	2
3	HBBTT-78	HUB	3
4	TU12-3	VERTICAL TUBE	2
5	CRRD-12	CHECK RING	4
6	CARD-58	CAP	1
7	TU12-13.5	LOWER TUBE	1
8	BL1T-34	BALL	1
9	GLRT-22	GLASS	1



COPYRIGHT © Allied Brass 2015  THIRD ANGLE PROJECTION	DRAWN	11-17-15	I.M	MATERIAL:	FINISH	TBD
	CHECKED	11-17-15	P.D	DESCRIPTION:	QUANTITY	TBD
	APPROVED	11-17-15	R.A	PMC-1PT-22	DRAWING No. PMC-1PT-22	
						REV
				SCALE 1:3.5		SHEET: 01
						A4